

AIR CONDITIONER OPTIONAL PARTS

Relay for on/off interlock ERV-RELAY1

INSTALLATION MANUAL

For authorized service personnel only.

Contents


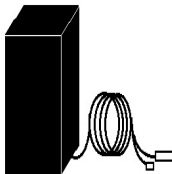

1. SAFETY PRECAUTIONS
2. ABOUT THE UNIT
3. INSTALLATION WORK

1. SAFETY PRECAUTIONS

⚠ WARNING	Indicates a potentially or imminently hazardous situation which, if not avoided, could result in death or serious injury.
For the air conditioner to operate satisfactorily, install it as outlined in this installation manual.	
Installation work must be performed in accordance with national wiring standards by authorized personnel only.	
Do not turn on the power until all installation work is complete.	
Discharge static electricity before the installation.	
⚠ CAUTION	Indicates a potentially hazardous situation that may result in minor or moderate injury or damage to property.
Do not wire the terminal block kit wire together with or parallel to the connection cables, transmission cables, remote controller cables, bus wire, and power supply cables of the indoor and outdoor units. It may cause erroneous operation.	
Do not touch the aluminum fin in the indoor unit.	
When installing, do not cut or pinch the wires with the front panel or control box cover. An electric shock may occur if wires are damaged.	

2. ABOUT THE UNIT

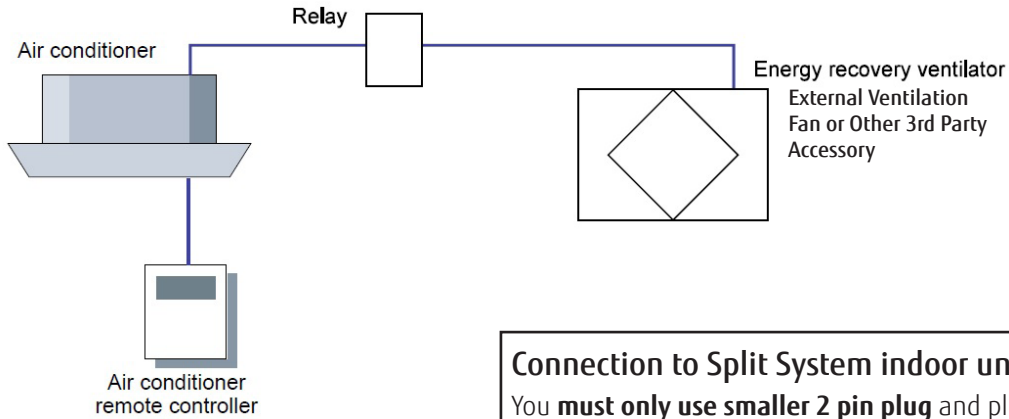
- The following installation parts are supplied

Name and shape	Q'ty	Description
Installation manual 	1	This manual
Relay box with wire ERV-RELAY1 	1	For connecting an Energy Recovery Ventilator unit or other accessory to an indoor air conditioning unit for interlocking
Mounting Tabs 	2	For mounting the relay box to the unit

3. INSTALLATION WORK

This accessory will allow an Energy Recovery Ventilator, external ventilation fan or other 3rd party accessory to start and stop in unison with the indoor unit

If used to control the Energy Recovery Ventilator you will have no control over fan speed, damper bypass or on/off
 If used with a split system the controlled item will start and stop in relation with the indoor unit fan



Connection to VRF system indoor unit

If connecting this relay to any of the following units:

- ASYA04-30GACH
- ASYE04-14GACH
- ASYA007-034GTAH
- AUXB04-24GALH
- AUXD18-24GALH
- AUXA30-54GALH
- AUXK18-54GLAH
- ARXD04-24GALH
- ARXK07-12GALH
- ARXA24-45GBLH
- ARXC36-96G
- ABYA12-54GATH
- AGYA004-014GALH

You **must only use larger 6 pin plug** and plug this into the indoor unit PCB plug number CNB01

Connection to Split System indoor unit

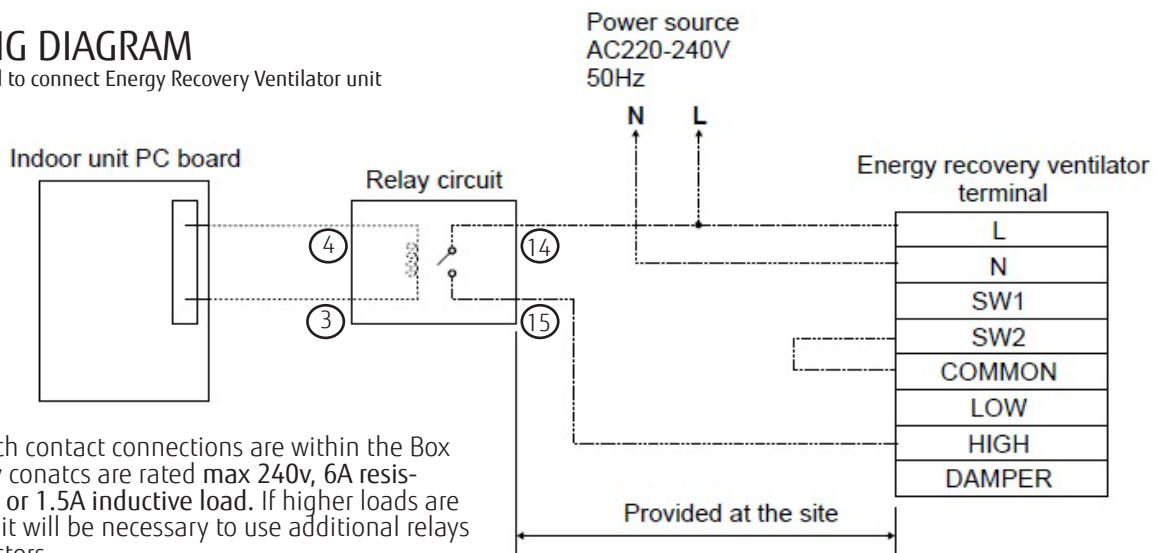
You **must only use smaller 2 pin plug** and plug this into the indoor unit PCB plug number as follows:

- ASYG30-36LMTA – CN3
- AUYG07-24LVL – CN6
- AUYG30-54LR – CN6
- AUXG18-54LR – CN47
- ABYG30-54LR – CN6
- ARYG07-18LLT – CN6
- ARYG12-18LSL – TBC
- ARYG24-45LM – CN6
- ARYG12-54LHTBP – CN47
- ARYG45-54LHTA (1 Phase) – CN14
- ARYG45-54LHTA (3 Phase) – CN6
- ARYG60LHTA – CN161
- ARYG72-90LHTA – TBC
- ARYC72-90LHTA – CN161

- Function number 49 must be set to "00" refer to indoor unit installation manual for setting procedure

WIRING DIAGRAM

When used to connect Energy Recovery Ventilator unit



The switch contact connections are within the Box
 The relay contacts are rated max 240v, 6A resistive load or 1.5A inductive load. If higher loads are required it will be necessary to use additional relays or contactors