

Plenums for Sky Air and VRV Ducted Units

Connect 150mm flexible ductwork to FXDQ-A and FDXM-F3 series units

Supply Air Plenums

- › For connecting flexible ductwork to the FDXM-F3 / FXDQ-A series ducted units.
- › Plenum attaches to supply air outlet flange on the unit – instructions & fixing screws are supplied.
- › Spigots are 150mm diameter.



Return Air Plenums

- › For connecting flexible ductwork to the return air outlet of the FDXM-F3 / FXDQ-A series ducted units. The RC fits over the return air flange – instructions & fixing screws are supplied.
- › Plenum also includes slot for the filter to be fitted. This has a spring-clip fastening to the lid, allowing filter to be removed for maintenance. Spigots are 150mm diameter.

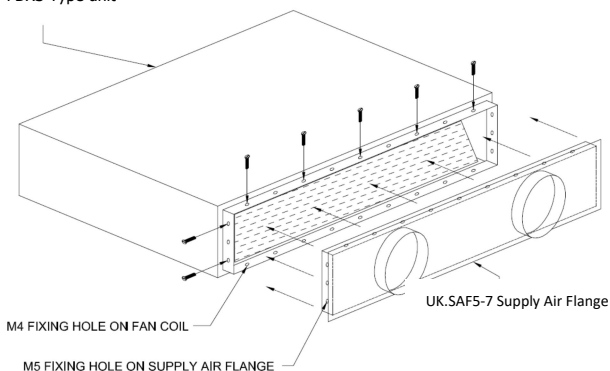


Material codes and indoor unit capacities

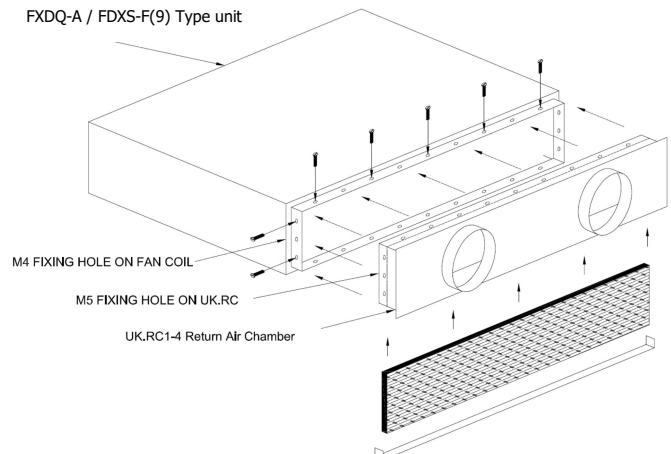
Code	Sky Air FDXM-F3	VRV FXDQ-A
UK.SAF5	25 / 35	15 / 20 / 25 / 32
UK.SAF6	-	40 / 50
UK.SAF7	50 / 60	63

Code	Sky Air FDXM-F3	VRV FXDQ-A
UK.RAC5	25 / 35	15 / 20 / 25 / 32
UK.RAC6	-	40 / 50
UK.RAC7	50 / 60	63

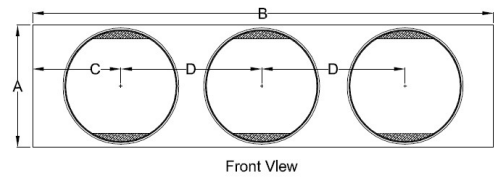
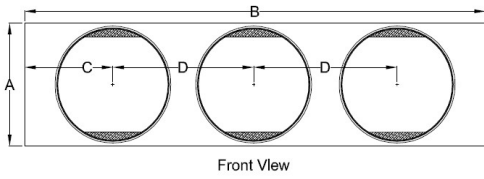
FXDQ-A / FDXS Type unit



FXDQ-A / FDXS-F(9) Type unit



Plenum dimensions



	Spigots	A	B	C	D
	150mm dia	Height	Width	Edge to spigot centre	Centre to centre
UK.SAF5	2	152	660	170	320
UK.SAF6	3	152	860	170	26
UK.SAF7	4	152	1060	170	240

	Spigots	A	B	C	D
	150mm dia	Height	Width	Edge to spigot centre	Centre to centre
UK.RAC5	2	180	625	150	325
UK.RAC6	3	180	825	155	257.5
UK.RAC7	4	180	1020	150	240

The present leaflet is drawn up by way of information only and does not constitute an offer binding upon Daikin UK. Daikin UK has compiled the content of this leaflet to the best of its knowledge. No express or implied warranty is given for the completeness, accuracy, reliability or fitness for particular purpose of its content and the products and services presented therein. Specifications are subject to change without prior notice. Daikin UK explicitly rejects any liability for any direct or indirect damage, in the broadest sense, arising from or related to the use and/or interpretation of this leaflet. All content is copyrighted by Daikin UK.

