

# 5 Rooms & 6 Rooms Multi System

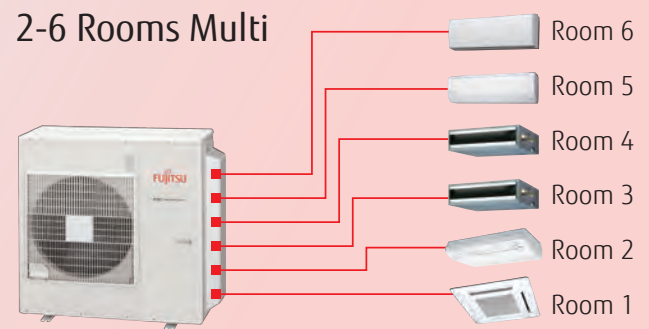
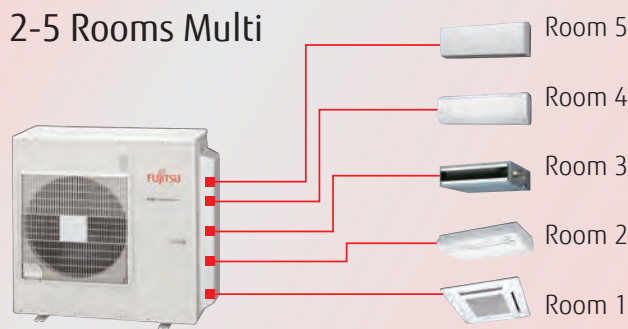


AOYG36LBLA5  
AOYG45LBLA6



Standard Range  
High Efficiency & Comfort

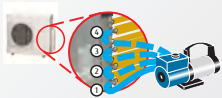
**Point** 5 to 6 Rooms Multi lineup for large houses Up to 6 rooms are controlled comfortably by only one compact outdoor unit



**Point** Easy installation

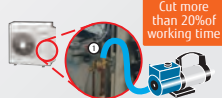
By using centralised valve method, the new outdoor units can be vacuumed from a single point.

4 Rooms multi system



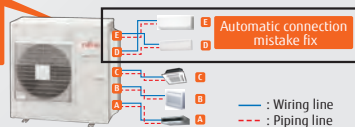
• Required vacuuming up to 4 times

New 5 Rooms multi system



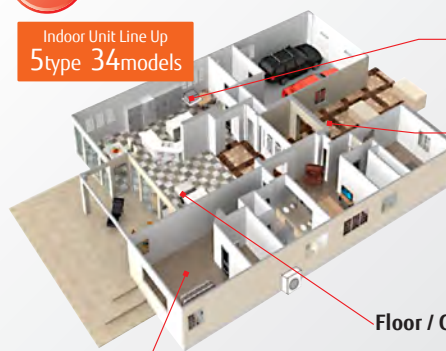
• Required vacuuming only one time

Automatic wiring and piping check



**Point** Various indoor units lineup

Indoor Unit Line Up  
5 type 34 models



Cassette type



Slim Duct type



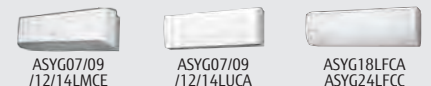
mini Duct type



Floor / Ceiling type



Wall Mounted type



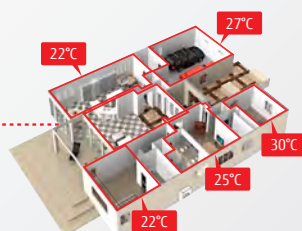
**Point** All indoor units can be controlled by one remote controller.

1. Max. 6 indoor units controlled individually



Central Remote Controller (Option)

UTYDDMMY



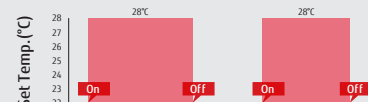
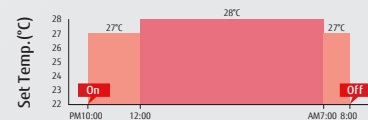
2. Scheduled operation for each room

example

Schedule 1	Mo	Tu	We	Th	Fr	Sa	Su
Enable	Su	Mo	Tu	We <td>Th</td> <td>Fr</td> <td>Sa</td>	Th	Fr	Sa
Day	1	6:00 AM	On	Cool	28°C		
Time	2	11:00 AM	On	Cool	27°C		
End	3	5:00 PM	On	Cool	28°C		
End	4	11:00 PM	Off	Cool	28°C		

Room 2

Schedule 1	Mo	Tu	We	Th	Fr	Sa	Su
Enable	Su	Mo	Tu	We <td>Th</td> <td>Fr</td> <td>Sa</td>	Th	Fr	Sa
Day	1	8:00 AM	On	Cool	28°C		
Time	2	11:00 AM	On	Cool	27°C		
End	3	5:00 PM	On	Cool	28°C		
End	4	11:00 PM	Off	Cool	28°C		

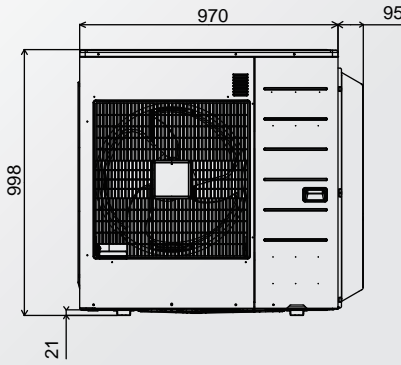


**Model: AOYG36LBA5  
AOYG45LBA6**

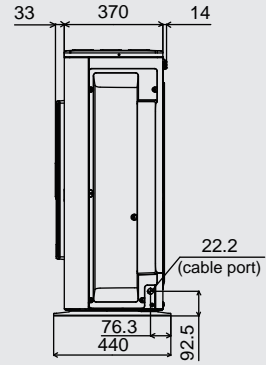
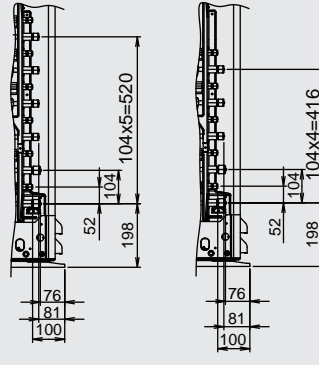


**Dimensions**

**Outdoor unit : AOYG36LBA5 / AOYG45LBA6 (Unit : mm)**



Front view



Side view

**Specifications**

Model No.	Outdoor unit		AOYG36LBA5	AOYG45LBA6
Power Source			Single-Phase, -230V, 50Hz	
Rated Capacity (min-max)	Cooling	kW	10.0(3.5-12.5)	12.5(3.5-14.0)
	Heating		12.0(3.5-14.0)	13.5(3.5-16.0)
EER	Cooling	W/W	4.10	3.50
COP	Heating		4.30	4.00
Sound Pressure Level (High)	Cooling	dB(A)	53	53
	Heating		55	55
Sound Power Level (High)	Cooling		67	67
	Heating		68	68
Net Dimensions H × W × D	mm		998x970x370	998x970x370
Weight	kg (lbs)		94 (207)	94 (207)
Connection Pipe Diameter	Liquid	mm	6.35x5	6.35x6
	Gas		9.52x3, 12.7x2	9.52x4, 12.7x2
Max. Pipe Length	Total / Each		80 / 25	80 / 25
	Max. Height Difference	Between Outdoor Unit and Each Indoor Units.	15	15
		Between Indoor Units.	10	10
Operation Range	Cooling	°CDB	-10~46	-10~46
	Heating		-15~24	-15~24
Refrigerant	Type	kg	R410A	R410A
	Charge		4.00	4.00
Suggested fuse/MCB			25	30
Starting Current Max.			12.3	15.7
Max Current			20.6	24.0

Note: Specifications are based on the following conditions.  
 Cooling : Indoor temperature of 27°CDB / 19°CWB, and outdoor temperature of 35°CDB / 24°CWB.  
 Heating : Indoor temperature of 20°CDB / 15°CWB, and outdoor temperature of 7°CDB / 6°CWB.  
 Pipe length : 5.0m  
 Height difference : 0m (Outdoor unit - Indoor unit)

\*Specifications and design are subject to change without notice for further improvement.  
 \*Actual products' colours may be different from the colours shown in this printed material. **Distributed by :**



**FUJITSU GENERAL AIR CONDITIONING (UK) LTD**  
 Unit 150 Centennial Park, Centennial Avenue, Elstree, Herts. WD6 3SG  
 www.fujitsu-general.com/uk  
 Tel: +44 (0)208 731 3450 Fax: +44 (0)208 731 3451