

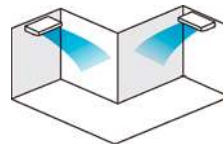
Simultaneous Multi-split Twin/Triple



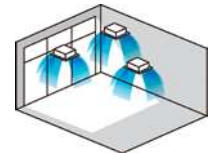
Supports various installation scenes from office to commercial space, inside the same room and multi connection of up to 3 indoor units.

Selection of indoor units according to the room shape and heat load, like number of people and lighting conditions. Most comfortable air flow distribution can be realized.

Installation according to floor layout



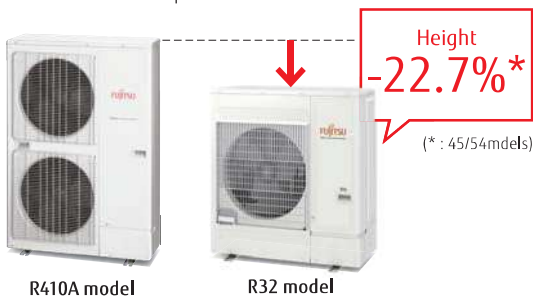
Installation according to lighting conditions



Design flexibility

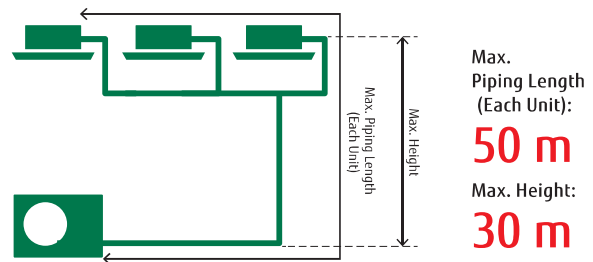
Slim & Compact design

This model is much more compact than a conventional outdoor unit. Significant reduced height of the product supports installations in narrow spaces.



Flexible installation

Up to max. piping length of 50 m, max. height difference of 30 m can be supported. Multi-split type can be installed in large-size residence or buildings with multiple floors.



Simultaneous Operation Multi type Indoor Unit Line up

	Twin			Triple
	18x2	22x2	24x2	18x3
Cassette	 AUXG18KV x2	 AUXG22KV x2	 AUXG24KV x2	 AUXG18KV x3
Duct	 ARXG18KL x2	 ARXG22KM x2	 ARXG24KM x2	 ARXG18KL x3
Outdoor unit	 AOYG36KBTB / AOYG36KRTA	 AOYG45KBTB / AOYG45KRTA	 AOYG54KBTB / AOYG54KRTA	

**Model: AOYG36KBTB / AOYG45KBTB / AOYG54KBTB
AOYG36KRTA [3 phase] / AOYG45KRTA [3 phase] / AOYG54KRTA [3 phase]**



Specifications (Indoor units/Outdoor units)

Indoor Units Model No.				Compact Cassette		
				AUXG18KVLA	AUXG22KVLA	AUXG24KVLA
Power Source				Single phase, ~230V, 50Hz		
Airflow Rate	Cooling	H/M/L/Q	m ³ /h	680/580/490/410	830/740/600/450	930/830/600/450
	Heating	H/M/L/Q		800/680/580/450	860/760/700/530	930/850/700/530
Net Dimension H × W × D				mm		
Weight				kg(lbs)		
Cassette Grille				UTG-UFYF-W		

Indoor Units Model No.				Duct		
				ARXG18KLLAP	ARXG22KMLA	ARXG24KMLA
Power Source				Single phase, ~230V, 50Hz		
Airflow Rate	Cooling	H/M/L/Q	m ³ /h	940/880/820/750	1,100/910/750/580	1,100/910/750/580
	Heating	H/M/L/Q		940/880/820/750	1,100/910/750/580	1,100/910/750/580
Net Dimension H × W × D				mm		
Weight				kg(lbs)		

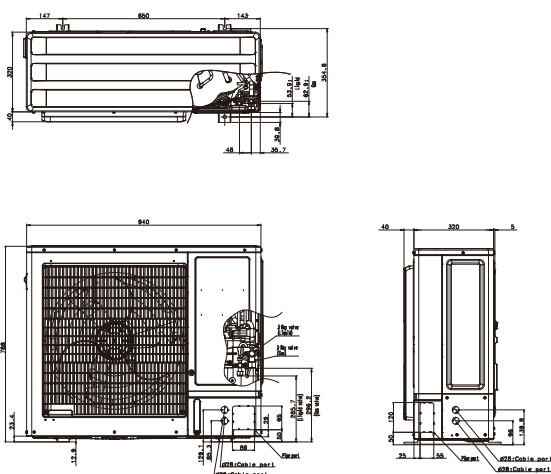
Outdoor Units Model No.				AOYG36KBTB	AOYG45KBTB	AOYG54KBTB	AOYG36KRTA	AOYG45KRTA	AOYG54KRTA
Capacity	Cooling	kW	9.5	12.1	13.4	9.5	12.1	13.4	
	Heating		10.8	13.5	15.5	10.8	13.5	15.5	
Power Source				Single phase, ~230V, 50Hz			3 phase, ~400V, 50Hz		
Pdesign	Cooling	kW	9.5	-	-	9.5	-	-	
	Heating (-10°C)		8.7	-	-	8.7	-	-	
SEER	Cooling	W/W	6.10	-	-	6.10	-	-	
SCOP	Heating		4.00	-	-	4.00	-	-	
Annual Energy Consumption	Cooling	kWh/a	545	-	-	545	-	-	
	Heating		3,044	-	-	3,044	-	-	
Energy Efficiency Class				Cooling			Heating		
Sound Pressure Level (High)	Cooling	dB(A)	55	57	57	55	57	57	
	Heating		55	57	59	55	57	59	
Sound Power Level (High)	Cooling	dB(A)	70	71	73	70	71	73	
	Heating		70	71	73	70	71	73	
Airflow Rate	Cooling / Heating	m ³ /h	3,750/3,750	4,450/4,450	4,450/4,450	3,750/3,750	4,450/4,450	4,450/4,450	
Net Dimension H × W × D				mm			mm		
Weight				kg(lbs)			kg(lbs)		
Connection Pipe Diameter (Gas / Liquid)				Inch			Inch		
Max Pipe Length (Pre-Charge)				m			m		
Height Difference				m			m		
Operation Range	Cooling	°CDB	-15 to 46	-15 to 46	-15 to 46	-15 to 46	-15 to 46	-15 to 46	
	Heating		-15 to 24	-15 to 24	-15 to 24	-15 to 24	-15 to 24	-15 to 24	
Refrigerant	Type	R32			R32				
	Charge	kg			kg				
Separation tube				UTP-SX236A(Twin)			UTP-SX236A(Twin) / UTP-SX354A(Triple)		

- Different type and capacity indoor units cannot be connected.
- The above table is the value for connecting with cassette type.

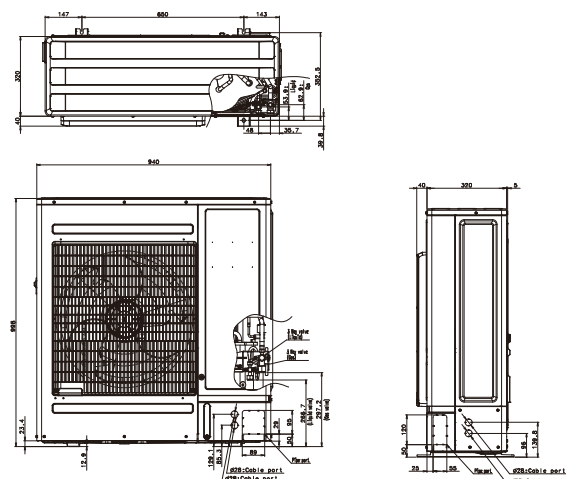
Dimensions

(Unit : mm)

AOYG36KBTB / AOYG36KRTA



**AOYG45KBTB / AOYG54KBTB
AOYG45KRTA / AOYG54KRTA**



Simultaneous Multi-split

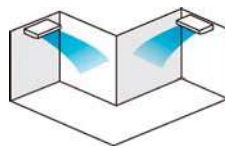
Twin/Triple/Quad



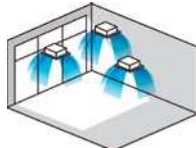
Can support various applications from large open plan offices to retail stores with up to 4 indoor units.

Indoor units distributed layout according to the shape and number of people and lighting conditions of the room. Ideal comfortable air flow distribution can be achieved.

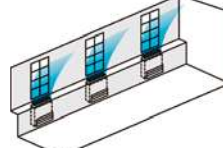
Installation according to floor layout



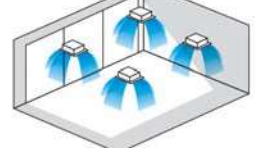
Installation according to lighting conditions



Installation according to layout and lighting conditions

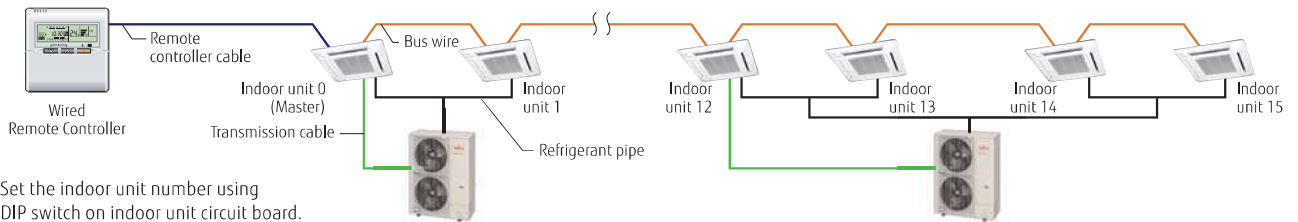


Installation according to large space



Simultaneous control

Max 16 indoor units are simultaneously controlled with a wired remote controller.



Set the indoor unit number using DIP switch on indoor unit circuit board.

*When using a wireless remote controller, the following functions cannot be used: Timer operation, Sleep Timer operation, 10°C Heat operation

Simultaneous Operation Multi type Indoor Unit Line up

	Twin		Triple		Quad
	36x2	45x2	24x3	30x3	18x4
Cassette	 AUYG36LR x2	 AUYG45LR x2	 AUYG24LV x3	 AUYG30LR x3	 AUYG18LV x4
Duct	 ARYG36LM x2	 ARYG45LM x2	 ARYG24LM x3	 ARYG30LM x3	 ARYG18LL x4
Ceiling	 ABYG36LR x2	 ABYG45LR x2	 ABYG24LV x3	 ABYG30LR x3	 ABYG18LV x4
Outdoor unit	 AOYG72LRLA	 AOYG90LRLA	 AOYG72LRLA	 AOYG90LRLA	 AOYG72LRLA

Model: AOYG72LRLA [3 phase] / AOYG90LRLA [3 phase]



Specifications (Indoor units/Outdoor units)

Indoor Units Model No.				Compact Cassette, Cassette				
				AUYG18LVLB	AUYG24LVLA	AUYG30LRLE	AUYG36LRLE	AUYG45LRLA
Power Source				Single phase, ~230V, 50Hz				
Airflow Rate	Cooling	H/M/L/Q	m ³ /h	750/610/520/410	930/830/600/450	1,600/1,400/1,270/1,150	1,800/1,400/1,270/1,150	1,900/1,640/1,460/1,250
	Heating	H/M/L/Q		800/710/600/450	930/830/600/450	1,800/1,400/1,270/1,150	1,800/1,400/1,270/1,150	1,900/1,640/1,460/1,250
Net Dimension H × W × D			mm	245×570×570	245×570×570	288 × 840 × 840	288 × 840 × 840	288 × 840 × 840
Weight			kg(lbs)	15 (33)	16 (35)	26 (57)	26 (57)	26 (57)
Cassette Grille				UTG-UFYD-W			UTG-UGYA-W	

Indoor Units Model No.				Duct				
				ARYG18LLTB	ARYG24LMLA	ARYG30LMLE	ARYG36LMLE	ARYG45LMLA
Power Source				Single phase, ~230V, 50Hz				
Airflow Rate	Cooling	H/M/L/Q	m ³ /h	940/880/820/750	1,100/910/750/580	1,900/1,620/1,270/980	1,900/1,620/1,270/980	2,100/1,750/1,350/1,070
	Heating	H/M/L/Q		940/880/820/750	1,100/910/750/580	2,100/1,620/1,270/980	2,100/1,620/1,270/980	2,100/1,750/1,350/1,070
Net Dimension H × W × D			mm	198 × 900 × 620	270 × 1135 × 700	270 × 1135 × 700	270 × 1135 × 700	270 × 1135 × 700
Weight			kg(lbs)	23 (51)	38 (84)	40 (88)	40 (88)	40 (88)

Indoor Units Model No.				Floor/Ceiling, Ceiling				
				ABYG18LVTB	ABYG24LVTA	ABYG30LRTE	ABYG36LRTE	ABYG45LRTA
Power Source				Single phase, ~230V, 50Hz				
Airflow Rate	Cooling	H/M/L/Q	m ³ /h	780/700/560/500	980/820/680/540	1,660/1,500/1,200/1,000	1,900/1,500/1,200/1,000	2,100/1,700/1,400/1,100
	Heating	H/M/L/Q		780/700/560/500	980/820/680/540	1,660/1,500/1,200/1,000	1,900/1,500/1,200/1,000	2,100/1,700/1,400/1,100
Net Dimension H × W × D			mm	199 × 990 × 655	199 × 990 × 655	240 × 1660 × 700	240 × 1660 × 700	240 × 1660 × 700
Weight			kg(lbs)	27 (60)	27 (60)	46 (101)	46 (101)	46 (101)

Outdoor Units Model No.			AOYG72LRLA		AOYG90LRLA	
Capacity	Cooling	kW	19.0		22.0	
	Heating		22.4		27.0	
Power Source			3 phase, ~400V, 50Hz			
Sound Pressure Level (High)	Cooling/Heating	dB(A)	55/55		55/57	
Airflow Rate	Cooling / Heating	m ³ /h	8,400/8,400		8,400/9,000	
Net Dimension H × W × D		mm	1,428×1,080×480		1,428×1,080×480	
Weight		kg(lbs)	163 (359)		172 (379)	
Connection Pipe Diameter (Gas / Liquid)		Inch	7/8 & 1/2		1 & 1/2	
Max Pipe Length (Pre-Charge)			100 (30)		100 (30)	
Height Difference		m	30		30	
Operation Range	Cooling	°CDB	-15 to 46		-15 to 46	
	Heating		-20 to 24		-20 to 24	
Refrigerant	Type		R410A		R410A	
	Charge	kg	5.6		7.1	
Separation tube			UTP-SX272A×1 (Twin)	UTP-SX272A×1 UTP-236A×2 (Double Twin)	UTP-SX272A×1 (Twin)	UTP-SX372A×1 (Triple) UTP-SX254A×2 (Double Twin)

*: That specification is not fixed yet.

- Different type and capacity indoor units cannot be connected.
- The above table is the value for connecting with cassette type.

Dimensions

(Unit : mm)

