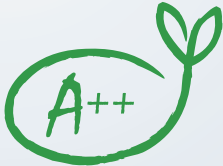


Model : ARYG12LLTB / ARYG14LLTB / ARYG18LLTB



(18 Model)



Wired R.C.



ARYG12/14LLTB



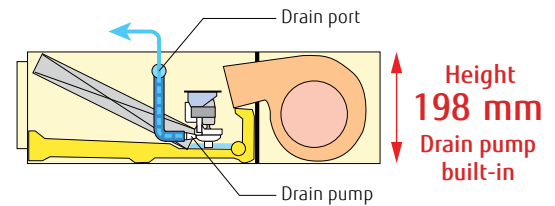
ARYG18LLTB



Slim Duct Range

Feature Slim design

The slim design allows installations where ceilings are narrow. Drain hose as standard accessory



Feature Flexible installation

2-type installation methods of ceiling concealed and floor concealed can be selected.

Ceiling concealed



Floor concealed



Feature Selectable with a wide range of static pressure

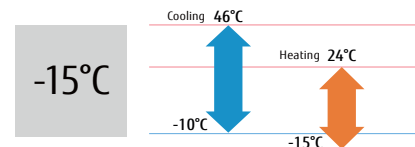
By using the DC fan motor, it is possible to change the static pressure range from 0 to 90 Pa. The change of static pressure range is possible by remote controller.



Static pressure range 0 to 90 Pa

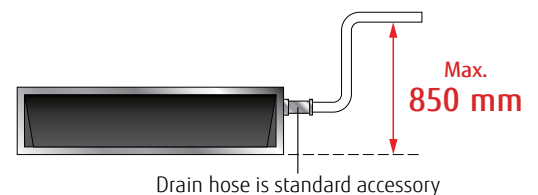
Feature Auto Louver Grille Kit (Option)

Simple flat Auto Louver will provide comfort airflow and harmonize with luxury interior.



Optional parts

Wired Remote Controller:	UTYRVNYM
Simple Remote Controller:	UTYRSNYM
IR Receiver Sensor Kit:	UTYLRYHM
Remote Sensor Unit:	UTYXSZX
Auto Louver Grille Kit:	UTDGXSAW (for ARYG12 / 14LLTB)
	UTDGXSBW (for ARYG18LLTB)
External Connect Kit	UTDECS5A
Modbus Interface	FJRCMBS1
KNX Interface	FJRCKNX1i
WiFi Interface	FJRCWIF1i



Feature explanation



Economy mode

Thermostat setting automatically changes according to the temperature to avoid unnecessary cooling and heating.



Auto-changeover

The unit automatically switches between heating and cooling modes based on your temperature setting and the room temperature.



Automatic fan speed

The micro-computer automatically adjusts the airflow effectively to follow the changes of room temperature.



Auto restart

In the event of a temporary power failure, the air conditioner will automatically restart in the same operating mode as before, once power supply is restored.



Weekly + setback timer

Weekly + Setback timer can set temperature for two times spans and for each day of the week.



Filter sign

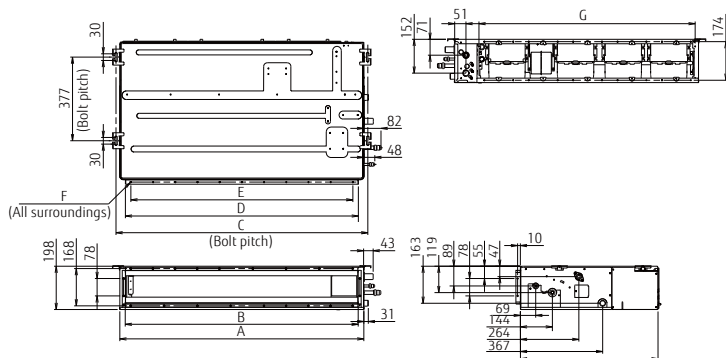
Indicates the filter cleaning period by lamp.



Drain pump as standard

Dimensions

(Unit : mm)



	ARYG12 / 14LLTB	ARYG18LLTB
A	700	900
B	650	850
C	734	934
D	650	850
E	P100x6=600	P100x8=800
F	18xØ5	22xØ5
G	574	774

Specifications

(TENTATIVE)

	Indoor	ARYG12LLTB AOYG12LALL	ARYG14LLTB AOYG14LALL	ARYG18LLTB AOYG18LALL
Nominal Capacity (kW)	Outdoor			
	Cooling	3.50 (0.90-4.40)	4.30 (0.90-5.40)	5.20 (0.90-5.90)
	Heating	4.10 (0.90-5.70)	5.00 (0.90-6.50)	6.00 (0.90-7.50)
UK Total / Sensible Cooling *		3.48 / 2.47	3.97 / 2.90	4.80 / 3.45
Power Consumption (kW)	Cooling	1.05	1.33	1.62
	Heating	1.11	1.34	1.66
EER / COP (Nominal Conditions)		3.33 / 3.69	3.21 / 3.71	3.21 / 3.61
Pdesign (kW) @ -10°C	Cooling	3.50	4.30	5.20
	Heating	4.20	4.50	5.20
SEER	Cooling	5.90	5.80	6.20
SCOP	Heating (Average)	4.00	3.90	4.10
Energy Efficiency Class	Cooling	A+	A+	A++
	Heating (Average)	A+	A	A+
Annual Energy Consumption (kWh/a)	Cooling	207	259	293
	Heating	1467	1614	1774
Moisture Removal	l/h	1.30	1.50	2.00
Dimensions (HxWxD) mm	Inner	198x700x620	198x700x620	198x900x620
	Outer	578x790x300	578x790x300	578x790x300
Net Weight (kg)	Inner	19	19	23
	Outer	40	40	40
Room Air Circulation (high) m3/h	Inner	650	800	940
	Outer	1780	1910	2000
Static Pressure Range (Standard)	Pa	0 to 90 (25)	0 to 90 (25)	0 to 90 (25)
Power Supply	V-PH-Hz	230 / 1 / 50	230 / 1 / 50	230 / 1 / 50
Power Supply To		Outdoor	Outdoor	Outdoor
Running Current (A)	Cooling	4.80	6.10	7.20
	Heating	5.10	6.10	7.40
Starting Current	A	5.10	6.10	7.40
Suggested MCB/Fuse	A	16	16	16
Interconnecting Cable		3 + E	3 + E	3 + E
Remote Control Type		Wired	Wired	Wired
Sound Pressure (dB(A) Cooling)	Indoor O/L/M/H	25 / 26 / 28 / 29	26 / 28 / 30 / 32	27 / 29 / 30 / 32
	Outdoor H	47	49	50
Sound Power (dB(A) Cooling)	Indoor H	58	60	58
	Outdoor H	61	62	62
Max Pipe Length	m	25	25	25
Max Height Difference	m	15	15	15
Refrigerant Charge	m	15	15	15
Additional Refrigerant Charge	g/m	20	20	20
Pipe Size (inches)	Gas	3/8	1/2	1/2
	Liquid	1/4	1/4	1/4
Operating Range (OC)	Cooling	-10 ~ 46	-10 ~ 46	-10 ~ 46
	Heating	-15 ~ 24	-15 ~ 24	-15 ~ 24
Refrigerant		R410A	R410A	R410A

Note

•Cooling/heating capacities are based on the following conditions.

Cooling	Indoor temperature 23°CDB / 16°CWB Outdoor temperature 30°C
---------	--

- Performance test is in accordance with EN14511
- Seasonal efficiency test is in accordance with EN14825
- Sound power test is in accordance with EN12102



- Specifications and design are subject to change without notice for further improvement.
- Actual products' colours may be different from the colours shown in this printed material.

Distributed by :

FUJITSU GENERAL AIR CONDITIONING (UK) LTD
Unit 150 Centennial Park, Centennial Avenue, Elstree, Herts. WD6 3SG
www.fujitsu-general.com/uk

Tel: +44 (0)208 731 3450 Fax: +44 (0)208 731 3451

Copyright© 2016 Fujitsu General Limited. All rights reserved. 3EFNP10-1510E