

**FOR SERVICE PERSONNEL ONLY**

# HITACHI

## HITACHI FLOOR UNIT

### AIR CONDITIONER

#### INSTALLATION MANUAL

Indoor Unit **RAF-25RXB**  
**RAF-35RXB**  
**RAF-50RXB**

- Carefully read through the procedures of proper installation before starting installation work.
- The sales agent should inform customers regarding the correct operation of installation.
- Explanation for outdoor unit is in the "How To Use" (Instruction Manual) that packed with outdoor unit.

**Tools Needed For Installation Work**  
(Mark ⊕ is exclusive use tool for R410A) • ⊕ Screwdriver • Measuring Tape • Knife • Saw • ø65mm Power Drill • Hexagonal Wrench Key (⊕ 4mm) • Wrench (14, 17, 22, 26, 27mm) • Gas leakage Detector • Pipe Cutter • Putty • Vinyl Tape • Pliers • Flare Tool • Vacuum Pump Adapter • Manifold Valve • Charge Hose • Vacuum Pump

#### SAFETY PRECAUTION

- Read the safety precautions carefully before operating the unit.
- The contents of this section are vital to ensure safety. Please pay special attention to the following sign.
  - ⚠ **WARNING** ..... Incorrect methods of installation may cause death or serious injury.
  - ⚡ **CAUTION** ..... Improper installation may result in serious consequence.
  - ⊘ **Make sure to connect earth line.**
  - ⊘ **This sign in the figures indicates prohibition.**

Be sure that the unit operates in proper condition after installation. Explain to customer the proper operation and maintenance of the unit as described in the user's guide. Ask a customer to keep this installation manual together with the instruction manual.

#### ⚠ WARNING

- Please request your sales agent or qualified technician to install your unit. Water leakage, short circuit or fire may occur if you do the installation work yourself.
- Please observe the installation stated in the installation manual during the process of installation. Improper installation may cause water leakage, electric shock and fire.
- Make sure that the units are mounted at locations which are able to provide full support to the weight of the units. If not, the units may collapse and impose danger.
- Observe the rules and regulations of the electrical installation and the methods described in the installation manual when dealing with the electrical work. Use cables which are approved official in your country. Be sure to use the specified circuit. A short circuit and fire may occur due to the use of low quality wire or improper work.
- Be sure to use the specified cables for connecting the indoor and outdoor units. Please ensure that the connections are tight after the conductors of the wire are inserted into the terminals to prevent the external force is being applied to the connection section of the terminal base. Improper insertion and loose contact may cause over-heating and fire.
- Please use the specified components for installation work. Otherwise, the unit may collapse or water leakage, electric shock, fire or stronger vibration may occur.
- Be sure to use the specified piping set for R410A. Otherwise, this may result in broken copper pipes or faults.
- When installing or transferring an air conditioner to another location, make sure that air other than the specified refrigerant (R410A) does not enter the refrigeration cycle. If other air should enter, the pressure level of the refrigeration cycle may increase abnormally which could result in a rupture and injury.
- Be sure to ventilate fully if a refrigerant gas leak while at work. If the refrigerant gas comes into contact with fire, a poisonous gas may occur.
- After completion of installation work, check to make sure that there is no refrigeration gas leakage. If the refrigerant gas leaks into the room, coming into contact with fire in the fan-driven heater, space heater, etc., a poisonous gas may occur.
- Unauthorized modifications to the air conditioner may be dangerous. If a breakdown occurs please call a qualified air conditioner technician or electrician. Improper repairs may result in water leakage, electric shock and fire, etc.
- Be sure to connect the earth line from the power supply wire to the outdoor unit and between the outdoor and indoor unit. Do not connect the earth line to the gas tube, water pipe, lighting rod or the earth line of the telephone unit. Improper earthing may cause electric shocks.
- When finishing the refrigerant collection (pumping down), stop the compressor and then remove the coolant pipe. If you remove the refrigerant pipe while the compressor is operating and the service valve is released, air is sucked and a pressure in the freezing cycle system will build up steeply, causing an explosion or injury.
- When installing the unit, be sure to install the refrigerant pipe before starting the compressor. If the refrigerant pipe is not installed and the compressor is operated with the service valve released, air is sucked and the pressure level of the refrigeration cycle may increase abnormally which could result in a rupture and injury.
- The electric cables should neither be reworked nor added. Make sure to use an exclusive circuit breaker. Otherwise fire or electric shock might occur by connection failure, isolation failure or over current.
- Make sure to connect cables to terminal properly and terminal cover should close firmly. Otherwise, over heating at terminal contact, fire or electric shock might occur.
- Make sure that there is no dust on any connected points of electric cables and fix firmly. Otherwise, fire or electric shock might occur.

#### ⚠ CAUTION

- A circuit breaker must be installed in the house distribution box for the direct connected power supply cables to the outdoor unit. In case of other installations a main switch with a contact gap of more than 3mm has to be installed. Without a circuit breaker, the danger of electric shock exists.
- Do not install the unit near a location where there is flammable gas. The outdoor unit may catch fire if flammable gas leaks around it.
- Please ensure smooth flow of water when installing the drain hose. Improper installing may wet your furniture.
- An IEC approved power cord should be used. Power cord type: NYM.

#### THE CHOICE OF MOUNTING SITE

(Please note the following matters and obtain permission from customer before installation.)

#### ⚠ WARNING

- The unit should be mounted at stable, non-vibratory location which can provide full support to the unit.

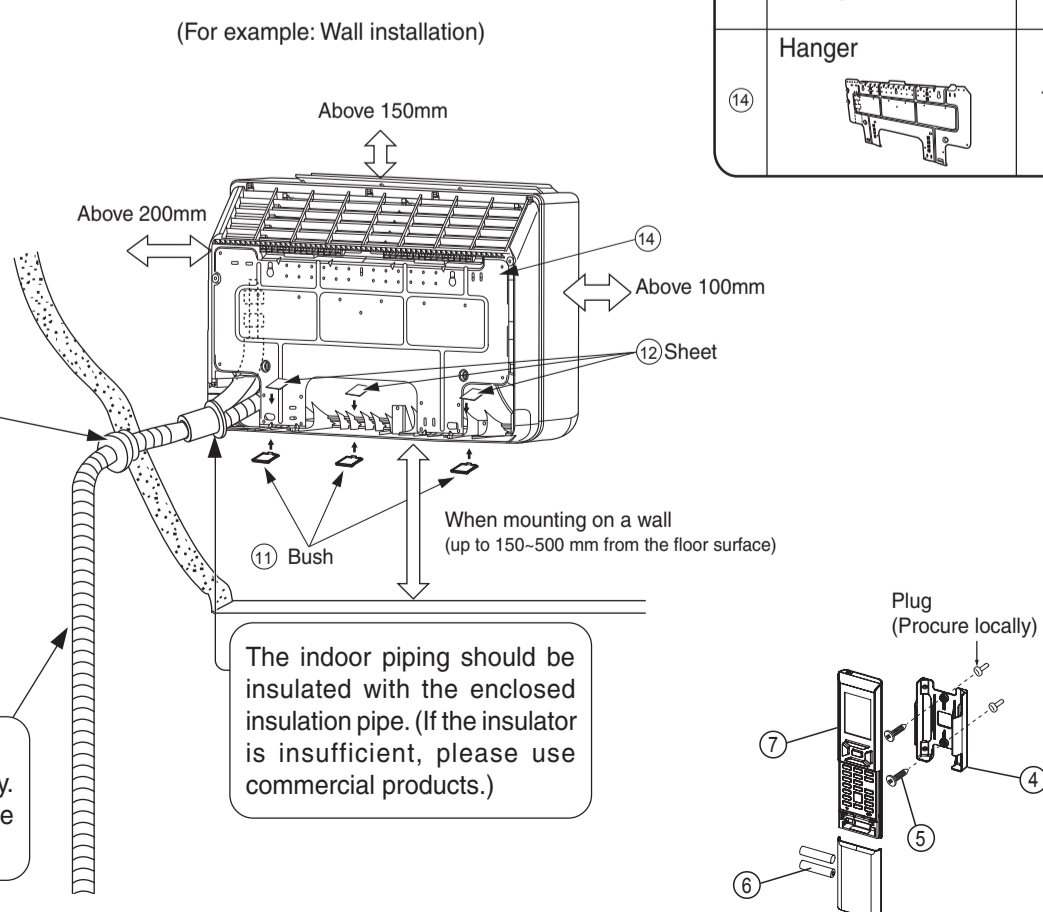
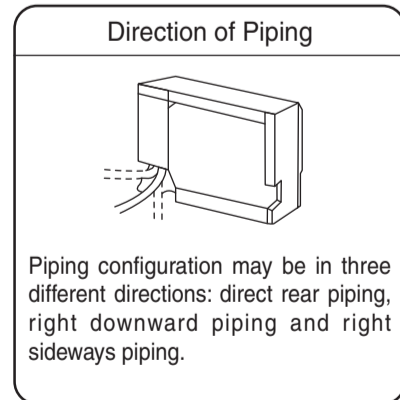
#### ⚠ CAUTION

- No nearby heat source and no obstruction near the air outlet is allowed.
- The clearance distances from top, right and left are specified in figure below.
- The location must be convenient for water drainage and pipe connection with the outdoor unit.
- To avoid interference from noise, please place the unit and its remote controller at least 1m from the radio and television.
- To avoid any error in signal transmission from the remote controller, please put the controller far away from high-frequency machines and high-power wireless systems.

#### Names of Indoor Components

No.	Item	Qty
①	Flare Insulator	1
②	Binder	2
③	Screw for Overturn Prevention (4.1 x 32)	8
④	Holder for Remote Controller	1
⑤	Screw for holder of Remote Controller (3.1 x 16)	2
⑥	AAA size Battery	2
⑦	Remote Controller	1
⑧	Insulator (13 x 160 x 600)	1
⑨	Screw for Overturn Prevention (4.0 x 34)	2
⑩	Insulator (20 x 30 x 300)	1
⑪	Bush	3
⑫	Sheet	3
⑬	Purifying Filter	1
⑭	Hanger	1

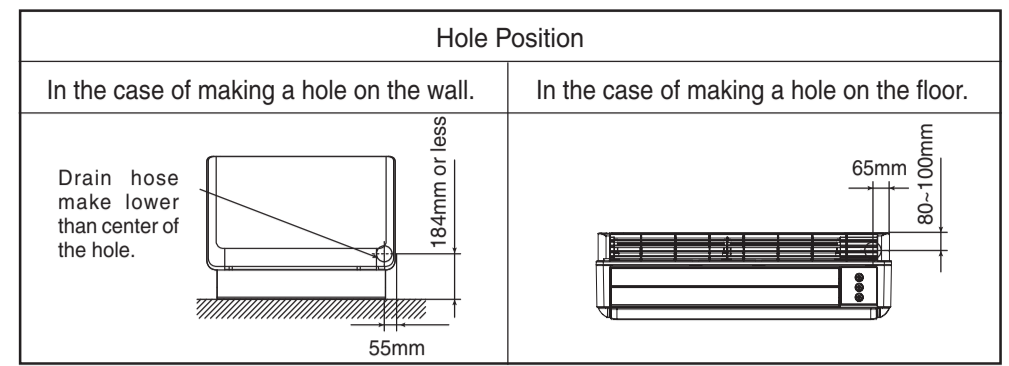
#### [Indoor unit installation]



#### 1. Installation of wall penetration and installation of protection pipe

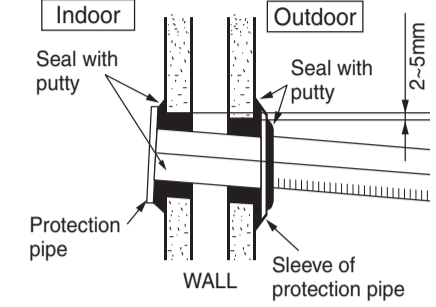
##### 1.1 Hole position

- Make a hole on the wall such the position as shown below, in order to keep the flow for condensed water smooth.



##### 1.2 Wall penetration and installation of protection pipe

- Drill a ø65mm hole on wall which is slightly tilted towards the outdoor side. Drill the wall at a small angle.
- Cut the protection pipe according to the wall thickness.
- Empty gap in the sleeve of protection pipe should be completely sealed with putty to avoid dripping of rain water into the room.



#### ⚠ CAUTION

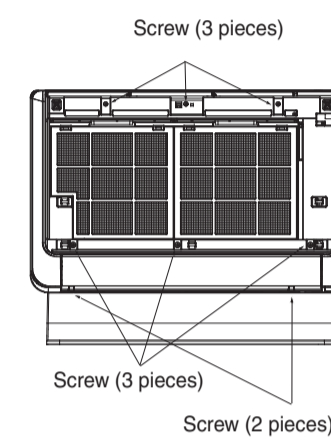
Be sure that the wire is not in contact with any metal in the wall. Please use the protection pipe as wire passing through the hollow part of the wall so as to prevent the possibility of damaged by mouse.

#### 2. Installation of the indoor unit

##### 2.1 How to remove the front cover

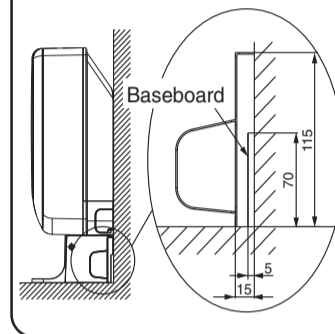
Please refer to section for details.

#### Removal and installation of front cover



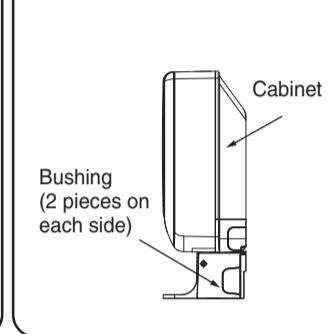
##### If there is a baseboard

- If the baseboard is 5-15mm in thickness and 115mm or less in height, cut the pipe bushing to conform to the baseboard.



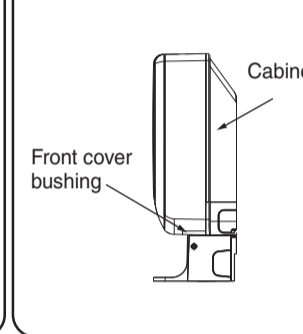
##### For sideways piping

- For right sideways piping, cut the stand's bushing with a plastic cutter or similar tool and use a file for an attractive finish.



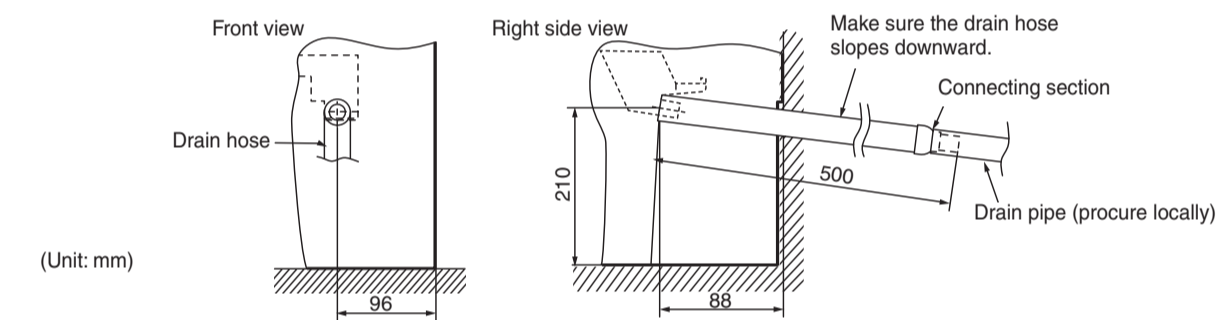
##### For floor piping

- For floor piping, cut the front cover bushing with a plastic cutter or similar tool and use a file for an attractive finish.



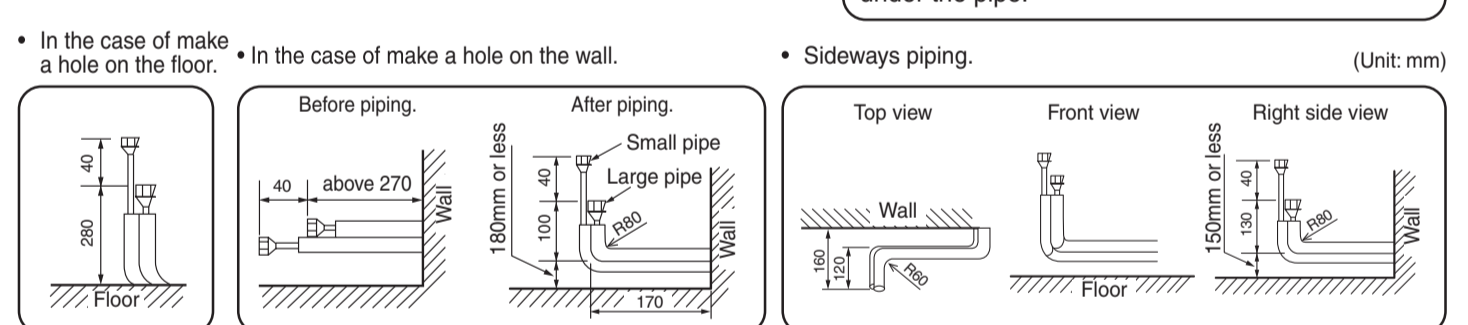
##### 2.2 Drain pipe

- Make sure drain pipe slopes downward so that drain flows smoothly without being trapped in the middle.
- The drain hose (connecting port outer diameter: 16mm or 20mm, length: 500mm) is included in the indoor unit. Prepare a drain pipe as shown in the following figure.
- To prevent condensation, the indoor drain pipe should be covered with heat insulation material with a thickness of more than 10mm.
- After piping is completed, check to make sure that drain discharges smoothly. Seal the drain pipe tightly with tape to keep dirt out.



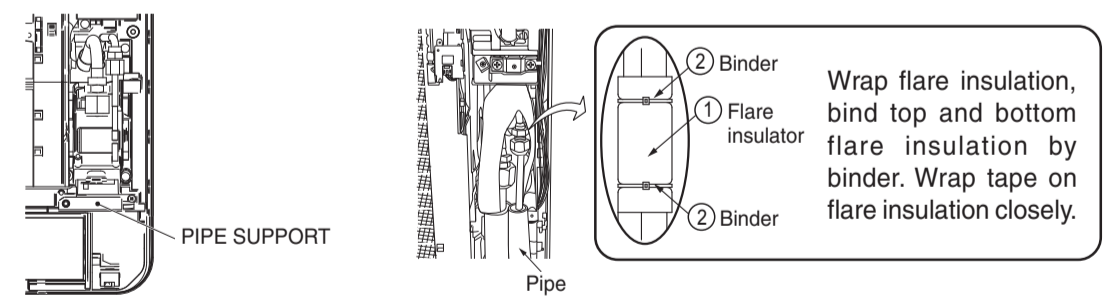
##### 2.3 Connecting the pipe to indoor unit

- Draw in the pipes through the hole of the wall or the floor to indoor.
- Arrange the pipe shown below. In the case that large pipe and small pipe arrange to make in front and behind.
- The indoor piping should be insulated with the enclosed insulation pipe.
- The pipe should first be cut longer than the length shown below.
- The excess section of the pipe should be cut off during pipe connection.

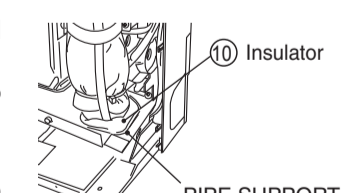


- Remove PIPE SUPPORT.
- Insert the drain hose into the hole in the wall.
- Winding insulation pipe for drain hose and taping 4 or 5 places to fix.

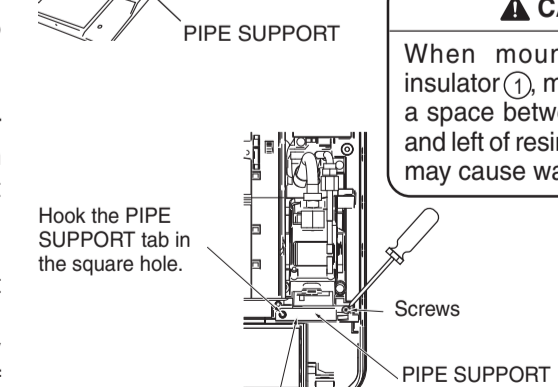
- Connect the pipe to the Indoor unit.
- After completing the piping connection, cover the connector with the insulator.
- Connect the cord (follow instructions in the section "5. Connection of the connecting cord" on the reverse of this sheet).



- Since there is some space between PIPE SUPPORT and the pipe, affix the insulator ⑩ to the PIPE SUPPORT. As shown in the figure on the right, affix the insulator ⑩ to the PIPE SUPPORT to sandwich it.



- After connecting the pipes and connecting cord, be sure to screw PIPE SUPPORT tightly and fix the pipes and connecting cord.
- Position the easy-to-attach side of PIPE SUPPORT (after aligning it with the pipe) to face the front and secure it with a screw. (Be sure to install PIPE SUPPORT to prevent rodents from entering the indoor unit.)

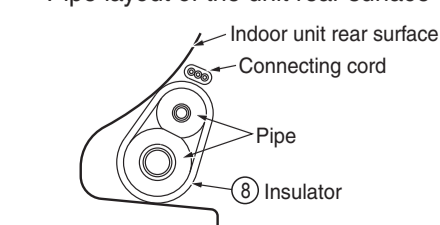


- To prevent the pipe connector from contacting the front cover, push the connector as far as it goes.
- Arrange the connecting cord, pipes and drain hose neatly and store them in the bottom section of the rear surface of the indoor unit.

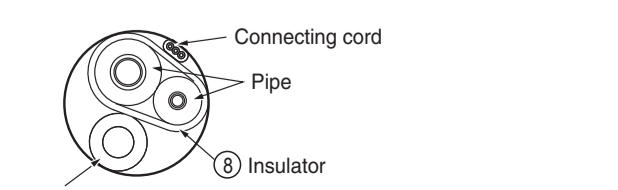
#### ⚠ CAUTION

When mounting the flare insulator ①, make sure there is a space between the insulator and left of resin part. Otherwise, may cause water dripping.

#### Pipe layout of the unit rear surface



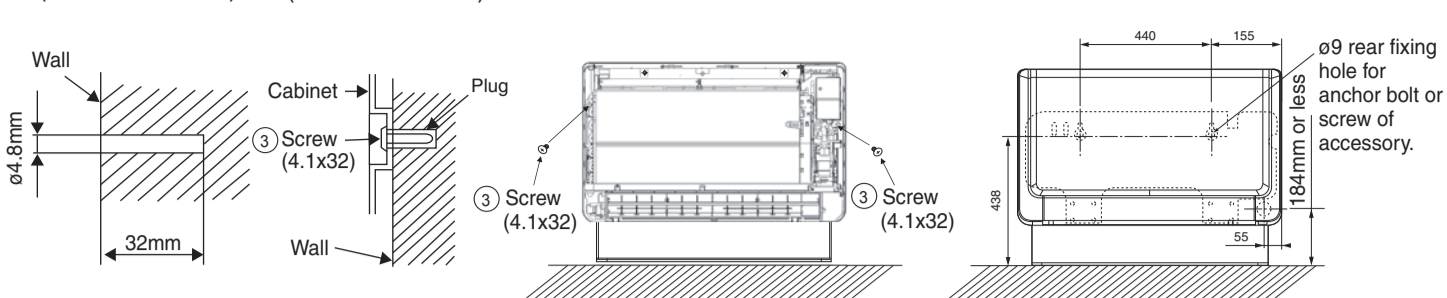
#### Pipe/drain hose layout when passing through the file in a wall



### 3. Fixing the indoor unit

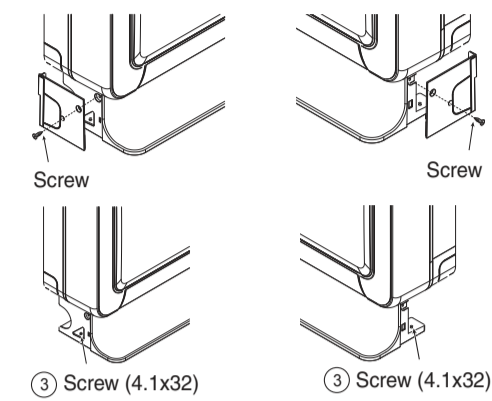
#### 3.1 Floor Installation

1. Drill holes on wall. (As shown below)
2. Push plug into the holes. (As shown below)



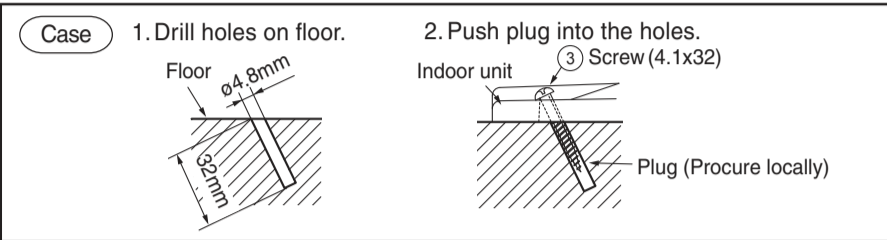
#### Fixing the base of indoor unit

- Fix the base of indoor unit on the floor with 4.1 × 32mm screws. (Right and left)



**WARNING**  
Be sure to attach screw ③ to prevent the indoor unit from overturn.

- When fixing the indoor unit above the ground, be sure to fix an L-angle at the bottom to support it.



(The plug can be secured diagonally with a screw as shown above.)

#### 3.2 Wall Installation

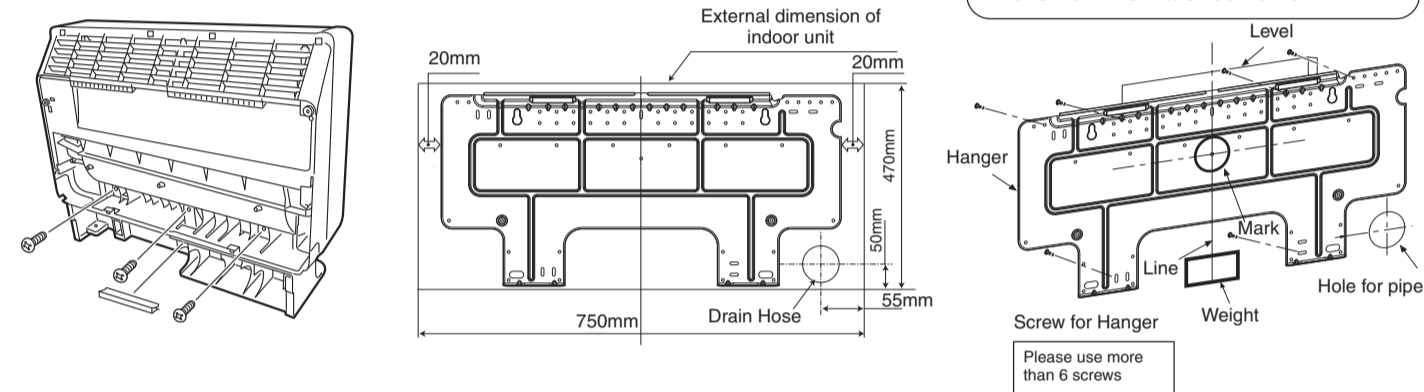
##### Direct Mounting On The Wall

- Please remove 3 screws and clip which fix the stand and cabinet. (As shown in the figure below)

- Please remove the screws which fix the cabinet and hanger.
- Please use hidden beams in the wall to hold the hanger.

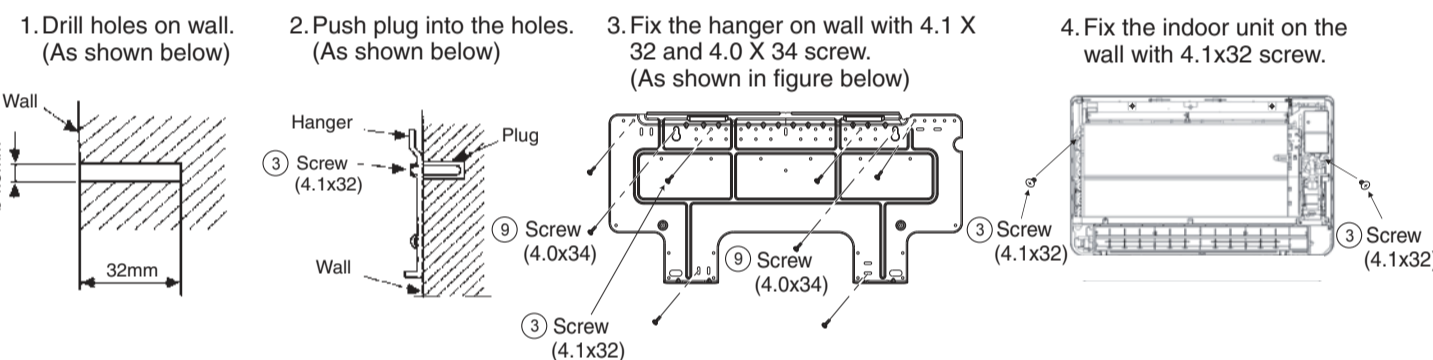
#### CAUTION

- The draining of the water container inside the Indoor unit can be done from the left. Therefore the hanger must be fixed horizontally or slightly tilted towards the side of drain hose. Otherwise, condensed water may overflow the water container.



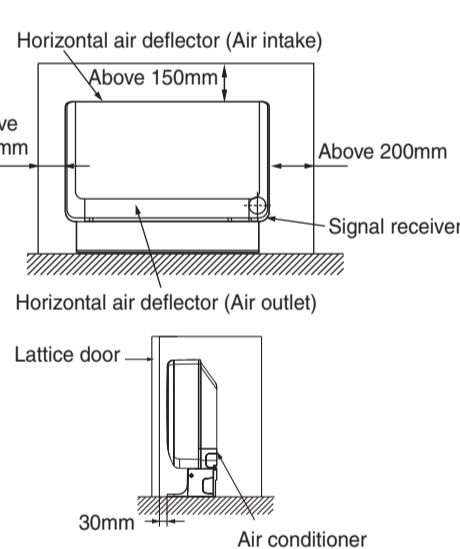
#### Procedures of Installation and Precautions

- Procedures to fix the hanger and indoor unit.



#### 3-3 Built-in Installation

- ① If outlet is covered with the lattice door, room temperature may not be controlled properly. Therefore, air outlet must be open as much as possible.
- ② If air deflector of air outlet is adjusted too much upward, room temperature may not be controlled properly due to the heat inside the lattice door. Therefore, the deflector must be adjusted to nearly horizontal angle.
- ③ If signal receiver is covered with the lattice door, signal receiving distance or range (angle) becomes smaller. Therefore, signal receiver must not be covered with the lattice door.
- ④ Only the vertical lattice door may be used. Be sure to use a lattice door with an open area ratio of 75% or more. If another lattice door or one with an open area ratio of less than 75% is used, maximum performance may not be obtained.
- ⑤ With a built-in installation, it may take more time to reach the set temperature after the unit is switched on.



### 4. Installation of refrigerating pipes and air removal

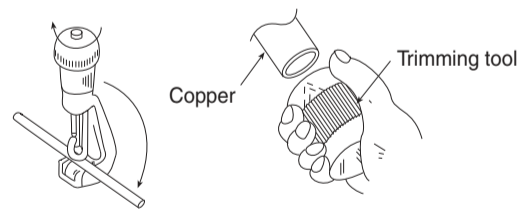
#### 4.1 Preparation of pipe

- Use a pipe cutter to cut the copper pipe.

#### CAUTION

- Jagged edge will cause leakage.
- Point the side to be trimmed downwards during trimming to prevent copper chips from entering the pipe.

- Before flaring, please put on the flare nut.



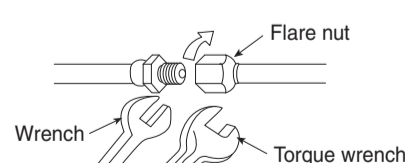
Outer Diameter (ø)	A (mm) Rigid Flaring Tool	
	For R410A tool	For R22 tool
6.35 (1/4")	0 - 0.5	1.0
9.52 (3/8")	0 - 0.5	1.0
12.7 (1/2")	0 - 0.5	1.0

#### 4.2 Pipe connection

#### CAUTION

In case of removing flare nut of a indoor unit, first remove a nut of small diameter side, or a seal cap of big diameter side will fly out. Free from water into the piping when working.

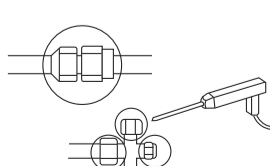
- Please be careful when bending the copper pipe.
- Screw in manually while adjusting the center. After that, use a torque wrench to tighten the connection.



#### Gas leakage inspection

Please use gas leakage detector to check if leakage occurs at connection of flare nut as shown on the right.

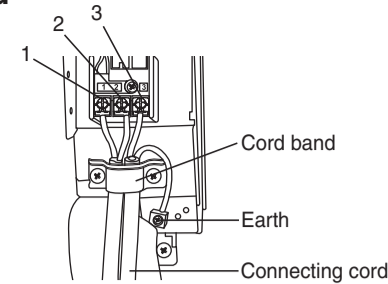
If gas leakage occurs, further tighten the connection to stop leakage. (Use the detector provided for R410A.)



	Outer diameter of pipe (ø)	Torque N-m (kgf-cm)
Small diameter side	6.35 (1/4")	13.7 - 18.6 (140 - 190)
	9.52 (3/8")	34.3 - 44.1 (350 - 450)
Large diameter side	12.7 (1/2")	44.1 - 53.9 (450 - 550)
	6.35 (1/4")	19.6 - 24.5 (200 - 250)
Valve head cap	9.52 (3/8")	19.6 - 24.5 (200 - 250)
	12.7 (1/2")	29.4 - 34.3 (300 - 350)
Valve core cap		12.3 - 15.7 (125 - 160)

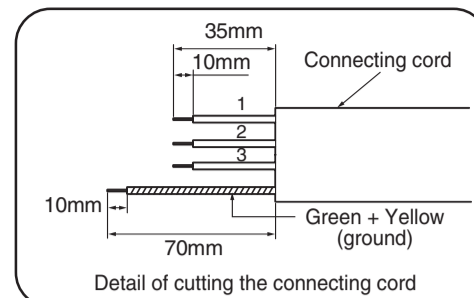
### 5. Connection of the connecting cord

- (1) Remove the cover of the electric box.
- (2) Connect the connecting cords.
- (3) Assemble the cover of electric box.



#### WARNING

- Leave some space in the connecting cord for maintenance purpose and be sure to secure it with the cord band.
- Secure the connecting cord along the coated part of the wire using the cord band. Do not exert pressure on the wire as this may cause overheating or fire.

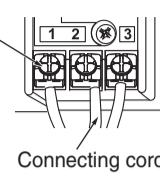


**WARNING** • THIS APPLIANCE MUST BE EARTHED.

#### Connection of the connecting cord

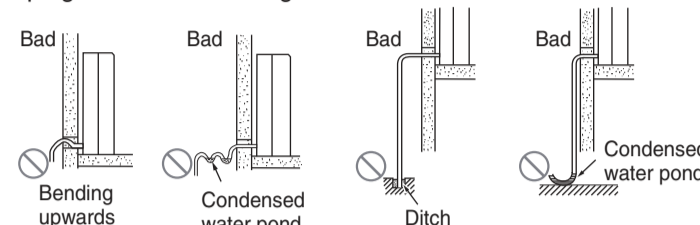
Securely screw in the connecting cord so that it will not get loose or disconnect.

Tightening torque reference value: 1.2 to 1.6 N-m (12 to 16 kgf-cm)  
Excessive tightening may damage the interior of the cord requiring replacement.



### 6. Checking of drawing drain hose

- (1) Connect the separate drain hose to the drain hose that is attached to the indoor unit.
- (2) For keeping the smooth flowing of condensed water the drain hose should be inclined as shown in figure below.



#### WARNING

Be sure that the hose is not loosely connected or bent.

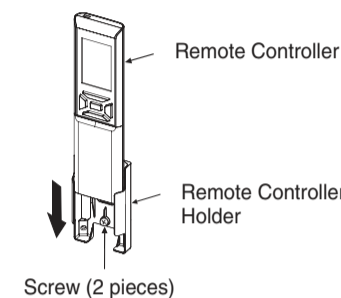
#### CAUTION

Please ensure the smooth flow of condensed water of the Indoor unit during installation. (Carelessness may result in water leakage.)

### 7. Installation of remote controller

- The remote controller can be placed in its holder which is fixed on wall or beam.
- To operate the remote controller at its holder, please ensure that the unit can receive signal transmitted from the controller at the place where the holder is to be fixed. The unit will beep when signal is received from the remote controller. The signal transmission is weakened by the fluorescent light. Therefore, during the installation of the remote control holder, please switch on the light, even during day time, to determine the mounting location of the holder.

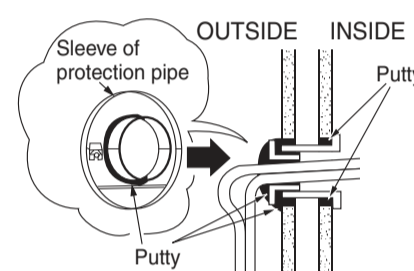
The remote controller must be slide in the remote controller holder, in the direction as shown in the figure, until it hooks at the lower end of the remote controller holder.



### 8. Final stage of installation

#### 8.1 Insulation and maintenance of pipe connection

- The connected terminals should be completely sealed with heat insulator and then tied up with rubber strap.
- Please tie the pipe and power line together with vinyl tape as shown in the figure showing the installation of Indoor and Outdoor units. Then fix their position with holders.
- To enhance the heat insulation and to prevent water condensation, please cover the outdoor part of the drain hose and pipe with insulation pipe.
- Completely seal any gap with putty.



#### 8.2 Operation test

- Please ensure that the air conditioner is in normal operating condition during the operation test.
- Explain to your customer the proper operation procedures as described in the user's manual.
- If the indoor unit does not operate, check to see that the connections are correct.

#### CAUTION

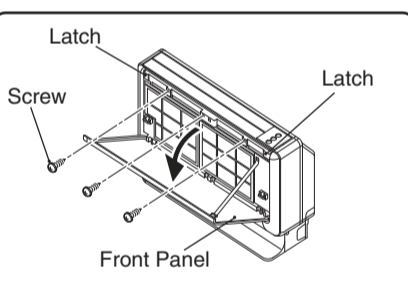
Trial run should be conducted on one unit at a time to check for incorrect wiring of connecting cord.

#### CAUTION

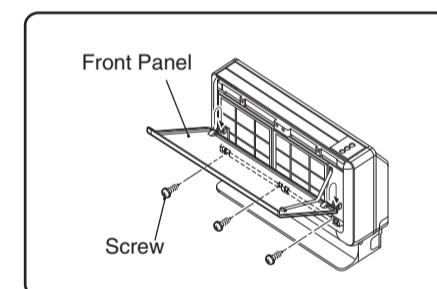
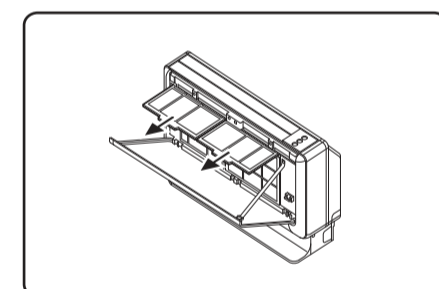
Using the claws at the top of front cover to remove and install front cover to the cabinet. Too much force on the claws may cause breakage when removing or installing the front cover. Please follow the below procedures for removal and installation of front cover.

### Removal and installation of front cover

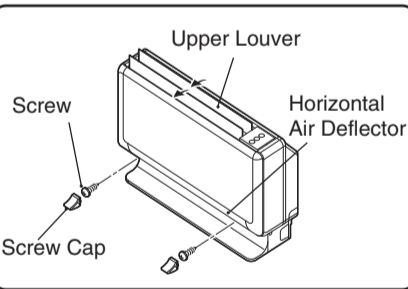
#### 1. Remove the front cover



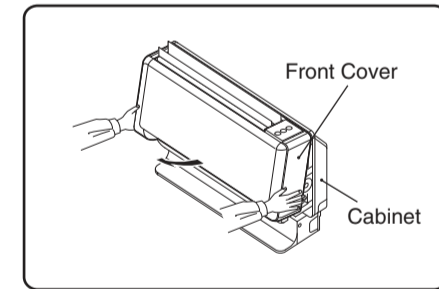
- ① Push the latch at both sides to open the front panel. Pull out the filter and remove 3 screws.



- ② Lift up the front panel and latch the claws firmly at the lower part of rear of the front panel. Then remove 3 screws.

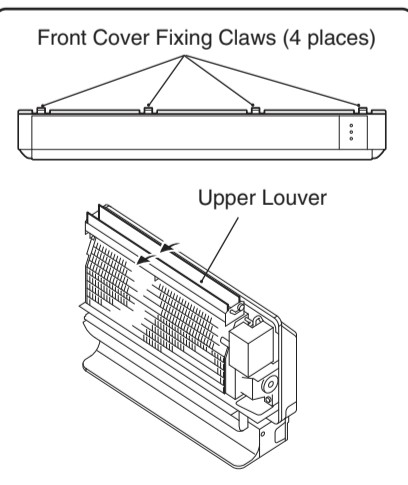


- ③ Take off 2 screw caps at the lower part of the horizontal air deflector and remove 2 screws. Then leave the upper louver in open position.

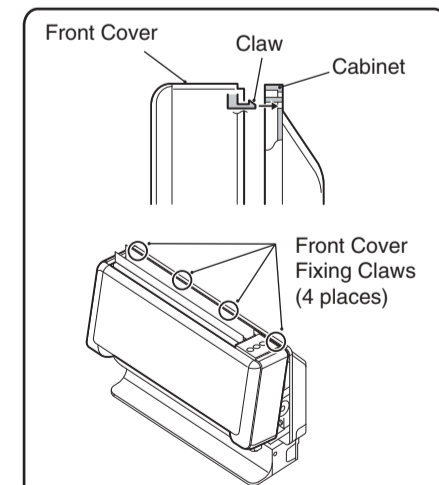


- ④ Hold both sides of the lower part of front cover and pull down towards an oblique direction.

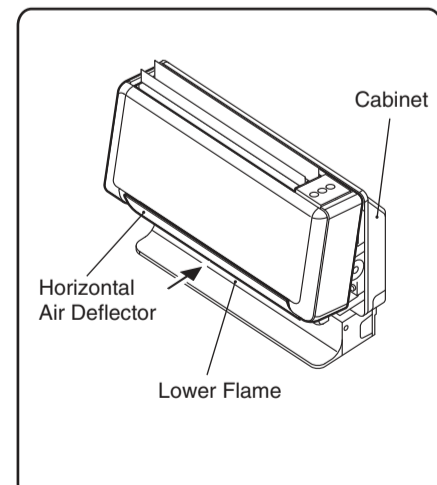
#### 2. Install the front cover



- ① Set the upper louver in open position.



- ② Insert the front cover fixing claws (4 places) to the insertion groove of the cabinet and put the upper louver through to the front cover frame.



- ③ Put the horizontal air deflector to the lower part of front cover frame and insert to the cabinet. After fixed the front cover, fix back all the screws in order.

### How to connect the optional parts (H-LINK RAC Adapter, Dry contact, Wired Remote Controller)

- For cable connection to control P.W.B., you need to remove front cover and electrical box cover. Each connecting location is as below.
- ① Dry contact: CN6
- ② H-LINK RAC Adapter: CN7
- ③ Wired Remote Controller: CN20
- Please check and confirm manuals attached to each optional parts for more connection details.
- You can refer to this installation manual how to remove and re-attach the front cover.
- Please be careful not to damage lead wires by edge of plate when connecting the optional parts.

