

Receiver Kit INSTALLATION INSTRUCTION SHEET

(PART No. 9378782051)

For authorized service personnel only.

WARNING This mark indicates procedures which, if improperly performed, might lead to the death or serious injury of the user.

- ① For the air conditioner to operate satisfactorily, install it as outlined in this installation instruction sheet.
- ② Installation work must be performed in accordance with national wiring standards by authorized personnel only.
- ③ Do not turn on the power until all installation work is complete.

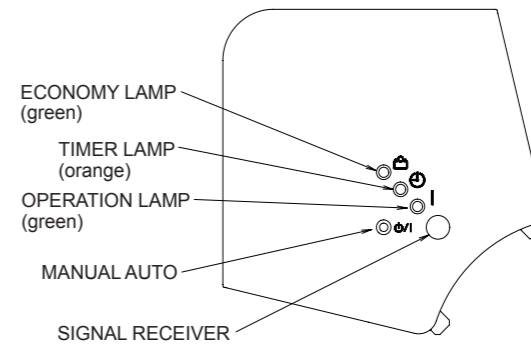
• Let the customer keep this installation instruction sheet because it is needed when the air conditioner or receiver kit is serviced or moved.

CAUTION This mark indicates procedures which, if improperly performed, might possibly result in personal harm to the user, or damage to property.

- ① Do not wire the receiver kit wire together with or parallel to the connection cables, transmission cords, remote controller cords, bus wire and power supply cords of the indoor and outdoor units. It may cause erroneous operation.
- ② Do not install the receiver kit wire near a source of electromagnetic waves.

2

FUNCTIONS

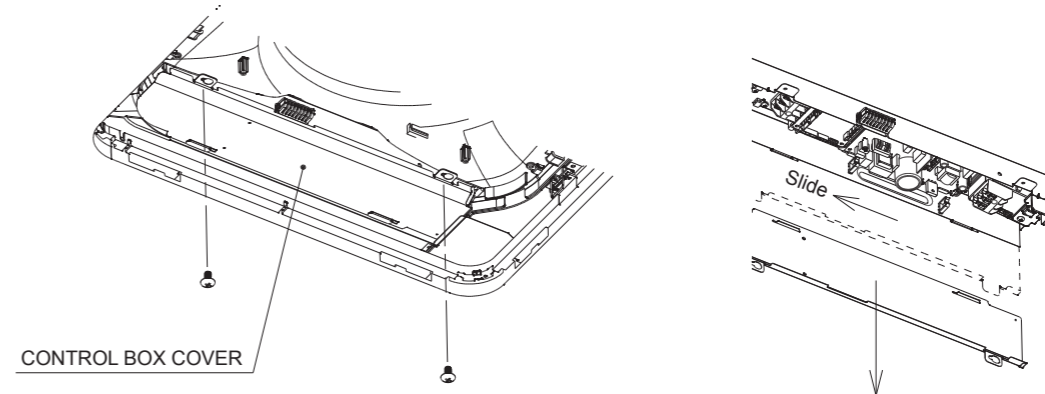


3

INSTALLING THE RECEIVER KIT

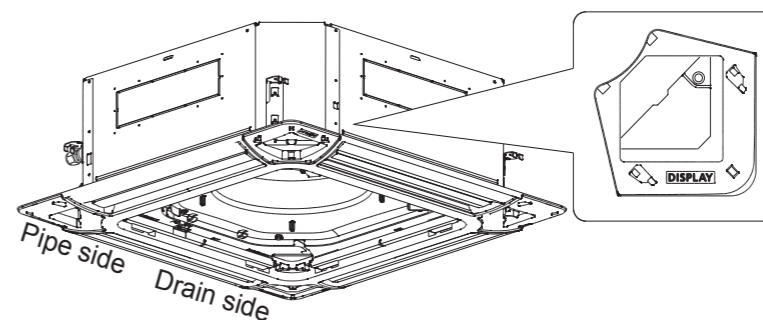
1. REMOVING THE CONTROL BOX COVER

- ① Remove the screws (2 places)
- ② Slide the CONTROL BOX COVER in the direction of the arrow.
- ③ Remove the CONTROL BOX COVER.



2. INSTALLING THE RECEIVER UNIT

- ① Mount the corner (figure to the drainpipe) of the decoration panel that has the "DISPLAY" mark onto the RECEIVER UNIT.



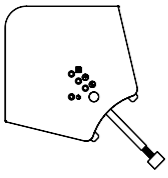
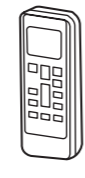
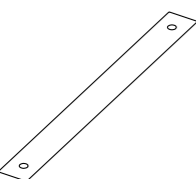
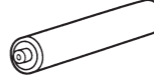
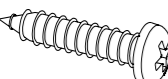

CAUTION

This corner must be mounted onto the RECEIVER UNIT.

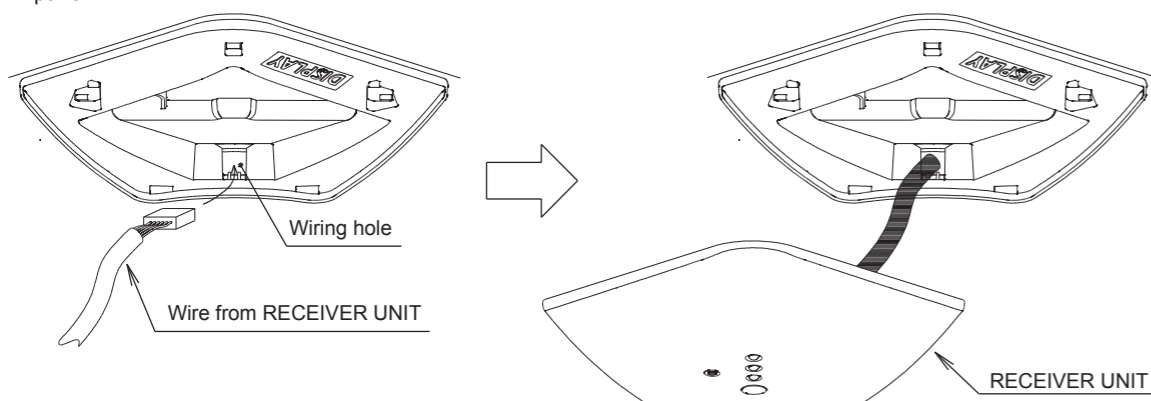
1

STANDARD PARTS

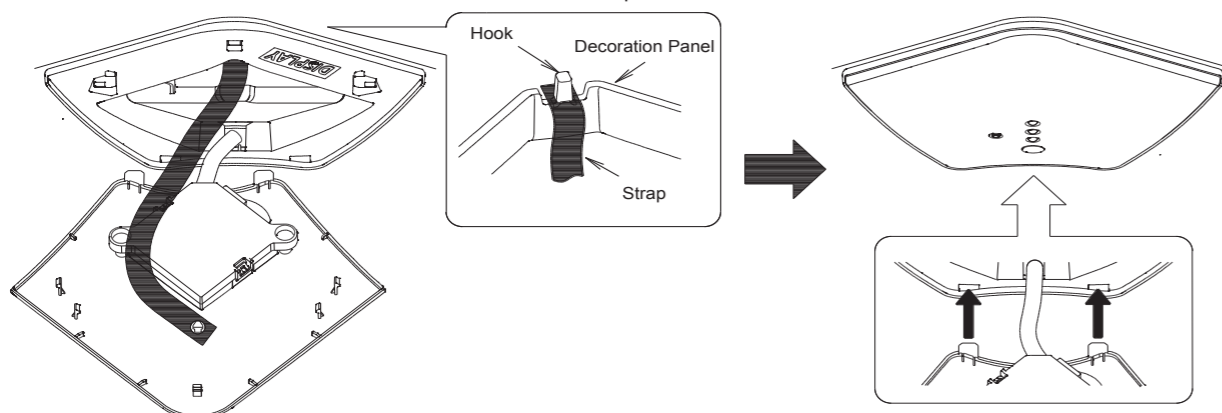
The following installation parts are supplied. Use them as required.

Name and Shape	Q'ty	Application	Name and Shape	Q'ty	Application
Receiver unit 	1	For receiving the signal from the remote controller	Remote controller 	1	Use for air conditioner operation
Strap 	1	Prevent receiver kit from falling down	Battery 	2	For remote controller
Screw (ø3 × 12) 	2	For installing remote controller holder to wall	Remote controller holder 	1	Use as remote controller holder

- ② Insert the wire from the RECEIVER UNIT into the wiring hole as shown in the figure below and pull it into the Decoration panel.

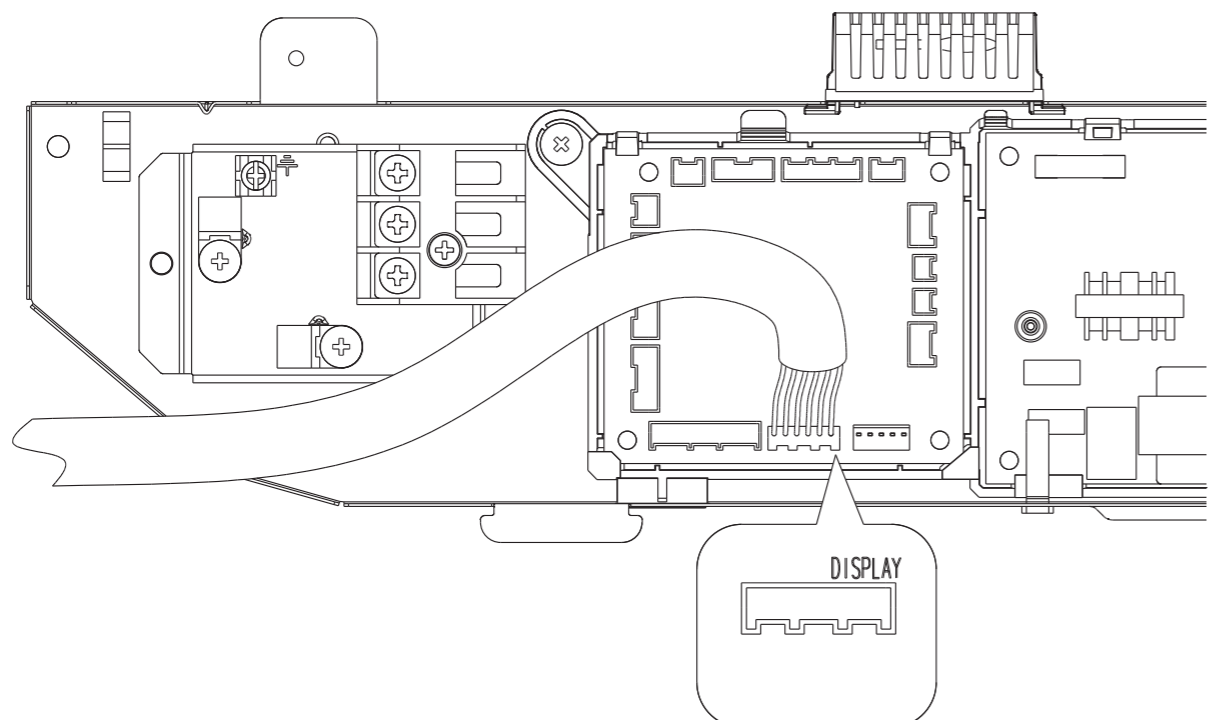


- ③ Hang the STRAP on the hook of the Decoration panel. After that, mount the RECEIVER UNIT onto the Decoration panel.

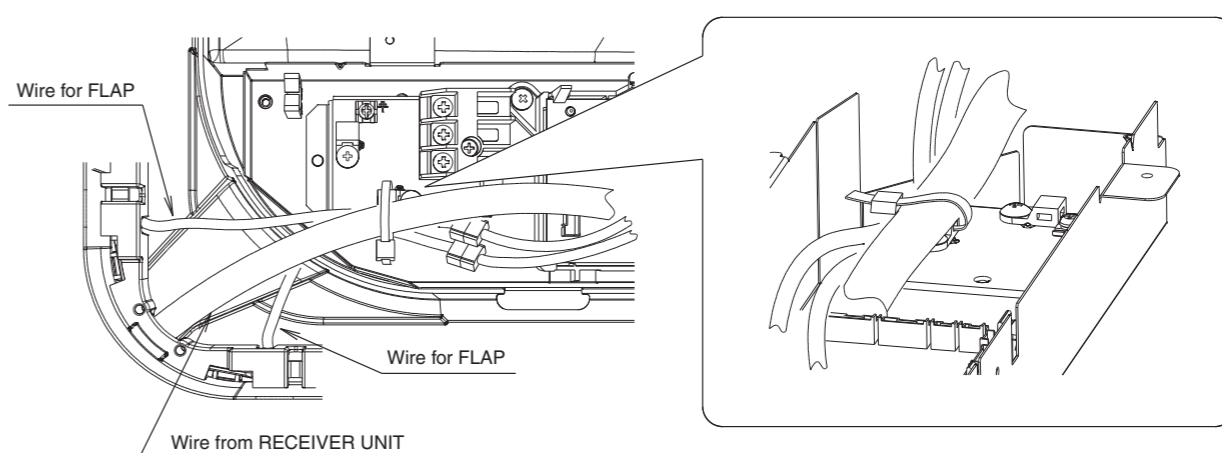


3. WIRING

- ① Connect the connector to the board in the CONTROL BOX.



- ② Bundle the FLAP wires (2) to the RECEIVER UNIT wire as shown in the figure below.



4. INSTALLING THE CONTROL BOX COVER

- ① Secure the CONTROL BOX COVER in the procedure that is reverse to the steps in "1. REMOVING THE CONTROL BOX COVER".

4

TURNING ON THE BREAKER

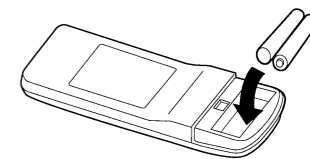
- ① Turn on the breaker.
- ② Make sure that the operation lamp and timer lamp are slowly flashing alternately.
 - If the auto restart function has been set, the air conditioner will operate with the settings immediately before the power supply was turned off.
 - If an error has occurred, the lamps on the receiver unit will flash quickly to indicate the error code.

5

REMOTE CONTROLLER SETTING

1. LOAD BATTERIES (R03/LR03 × 2)

- ① Press and slide the battery compartment lid on the reverse side to open it. Slide in the direction of the arrow while pressing the ▼ mark.
- ② Insert batteries. Be sure to align the battery polarities (+/-) correctly.
- ③ Close the battery compartment lid.



CAUTION

- ① Take care to prevent infants from accidentally swallowing batteries.
- ② When not using the remote controller for an extended period, remove the batteries to avoid possible leakage and damage to the unit.
- ③ If leaking battery fluid comes in contact with your skin, eyes, or mouth, immediately wash with copious amounts of water, and consult your physician.
- ④ Dead batteries should be removed immediately and disposed of properly, either in a battery collection receptacle or to the appropriate authority.
- ⑤ Do not attempt to recharge dry batteries.

NOTES

- Never mix new and used batteries, or batteries of different types.
- Batteries should last about one year under normal use. If the remote controller's operating range becomes appreciably reduced, replace the batteries and press the RESET button with the tip of a ballpoint pen or other small object.

2. REMOTE CONTROLLER HOLDER INSTALLATION

CAUTION

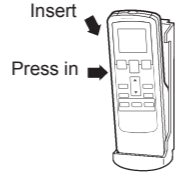
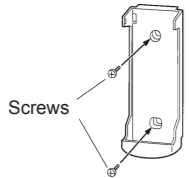
- Check that the indoor unit correctly receives the signal from the remote controller, then install the remote controller holder.
- Select the remote controller holder selection site by paying careful attention to the following:
Avoid places in direct sunlight.
Select a place that will not be affected by the heat from a stove, etc.

- Install the remote controller with a distance of 7 m between the remote controller and the signal receiver as the criteria. However, when installing the remote controller, check that it operates positively.
- Install the remote controller holder to a wall, pillar, etc. with the tapping screw

① Mount the Holder.

② Set the remote controller.

③ To remove the remote controller (when use at hand).



- This procedure changes to the function settings used to control the indoor unit according to the installation conditions. Incorrect settings can cause the indoor unit malfunction.
- After the power is turned on, perform the "FUNCTION SETTING" according to the installation conditions using the remote controller.
- The settings may be selected between the following two: Function Number or Setting Value.
- Settings will not be changed if invalid numbers or setting values are selected.

Entering the Function Setting Mode

- While pressing the FAN button and SET TEMP. (▲) simultaneously, press the RESET button to enter the function setting mode.

STEP 1

Setting the Remote Controller Signal Code

Use the following steps to select the signal code of the remote controller. (Note that the air conditioner cannot receive a signal code if the air conditioner has not been set for the signal code.) The signal codes that are set through this process are applicable only to the signals in the FUNCTION SETTING. For details on how to set the signal codes through the normal process, refer to SELECTING THE REMOTE CONTROLLER SIGNAL CODE.

- Press the SET TEMP. (▲) (▼) button to change the signal code between $A \rightarrow B \rightarrow C \rightarrow D$.
Match the code on the display to the air conditioner signal code. (initially set to A)
(If the signal code does not need to be selected, press the MODE button and proceed to STEP 2.)
- Press the TIMER MODE button and check that the indoor unit can receive signals at the displayed signal code.
- Press the MODE button to accept the signal code, and proceed to STEP 2.



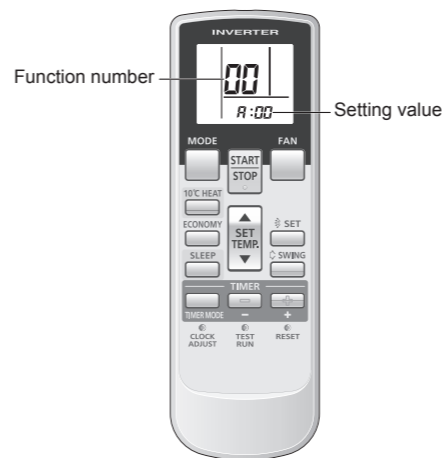
The air conditioner signal code is set to A prior to shipment.
Contact your retailer to change the signal code.

The remote controller resets to signal code A when the batteries in the remote controller are replaced. If you use a signal code other than signal code A, reset the signal code after replacing the batteries.
If you do not know the air conditioner signal code setting, try each of the signal codes ($A \rightarrow B \rightarrow C \rightarrow D$) until you find the code which operates the air conditioner.

STEP 2

Selecting the Function Number and Setting Value

- Press the SET TEMP. (▲) (▼) buttons to select the function number.
(Press the MODE button to switch between the left and right digits.)
- Press the FAN button to proceed to setting the value.
(Press the FAN button again to return to the function number selection.)
- Press the SET TEMP. (▲) (▼) buttons to select the setting value.
(Press the MODE button to switch between the left and right digits.)
- Press the TIMER MODE button, and START/STOP button, in the order listed to confirm the settings.
- Press the RESET button to cancel the function setting mode.
- After completing the FUNCTION SETTING, be sure to turn off the power and turn it on again.



CAUTION

After turning off the power, wait 30 seconds or more before turning it on again.
The FUNCTION SETTING doesn't become effective if it doesn't do so.

Filter sign

The indoor unit has a sign to inform the user that it is time to clean the filter. Select the time setting for the filter sign display interval in the table below according to the amount of dust or debris in the room. If you do not wish the filter sign to be displayed, select the setting value for "No indication".

Setting description	Function number	Setting value
Standard (2,500 hours)	11	00
Long interval (4,400 hours)		01
Short interval (1,250 hours)		02
No indication		03

Ceiling height

Select the setting values in the table below according to the height of the ceiling.

Setting description	Function number	Setting value
Standard (3.2m)	20	00
High ceiling (4.2m) (30 model : 3.6m)		01
Low ceiling (2.7m)		02

The ceiling height values are for the 4-way outlet. Do not change this setting in the 3-way outlet mode.

Outlet directions

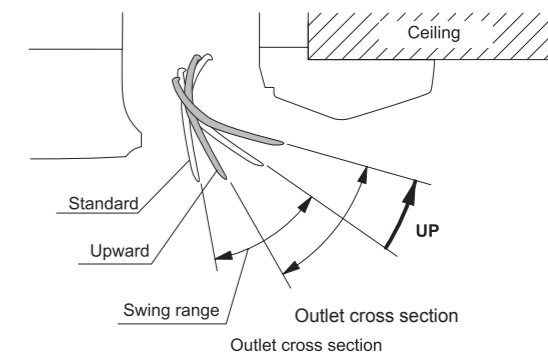
Select the setting values in the table below for using a 3-way outlet.

Setting description	Function number	Setting value
4-way	22	00
3-way		01

Vertical direction adjusting scope

To prevent from draft, we recommend using "upward mode".

Setting description	Function number	Setting value
Standard	23	00
Upward		01



Cooling room temperature correction

Depending on the installed environment, the room temperature sensor may require a correction.

The settings may be selected as shown in the table below.

Setting description	Function number	Setting value
Standard	30	00
Slightly lower control		01
Lower control		02
Warmer control		03

Heating room temperature correction

Depending on the installed environment, the room temperature sensor may require a correction.

The settings may be changed as shown in the table below.

Setting description	Function number	Setting value
Standard	31	00
Lower control		01
Slightly warmer control		02
Warmer control		03

Auto restart

Enable or disable automatic system restart after a power outage.

Setting description	Function number	Setting value
Yes	40	00
No		01

* Auto restart is an emergency function such as for power failure etc. Do not start and stop the indoor unit by this function in normal operation. Be sure to operate by the control unit, or external input device.

Wireless remote controller signal code

Change the indoor unit Signal Code, depending on the wireless remote controllers.

Setting description	Function number	Setting value
A	44	00
B		01
C		02
D		03

External input control

"Operation/Stop" mode or "Forced stop" mode can be selected.

Setting description	Function number	Setting value
Operation/Stop mode	46	00
(Setting forbidden)		01
Forced stop mode		02

Setting record

* Record any changes to the settings in the following table.

Setting	Setting value
(1) Filter sign	
(2) Ceiling height	
(3) Outlet directions	
(4) Vertical direction adjusting scope	
(5) Cooler room temperature correction	
(6) Heater room temperature correction	
(7) Auto restart	
(8) Wireless remote controller signal code	
(9) External input control	

After completing the FUNCTION SETTING, be sure to turn off the power and turn it on again.

SELECTING THE REMOTE CONTROLLER SIGNAL CODE

When two or more air conditioners are installed in a room and the remote controller is operating an air conditioner other than the one you wish to set, change the signal code of the remote controller to operate only the air conditioner you wish to set (four selections possible).

When two or more air conditioners are installed in a room, please contact your retailer to set the individual air conditioner signal codes.

- Confirm the setting of the remote controller signal code and the printed circuit board setting.
If these are not confirmed, the remote controller cannot be used to operate for the air conditioner.

Selecting the Remote Controller Signal Code

Use the following steps to select the signal code of the remote controller. (Note that the air conditioner cannot receive a signal code if the air conditioner has not been set for the signal code.)

- Press the START/STOP button until only the clock is displayed on the remote controller display.
- Press the MODE button for at least five seconds to display the current signal code (initially set to A).
- Press the SET TEMP. (▲) (▼) button to change the signal code between $A \rightarrow B \rightarrow C \rightarrow D$.
Match the code on the display to the air conditioner signal code.
- Press the MODE button again to return to the clock display. The signal code will be changed.



If no buttons are pressed within 30 seconds after the signal code is displayed, the system returns to the original clock display. In this case, start again from step 1.

The air conditioner signal code is set to A prior to shipment. Contact your retailer to change the signal code.

The remote controller resets to signal code A when the batteries in the remote controller are replaced. If you use a signal code other than signal code A, reset the signal code after replacing the batteries.
If you do not know the air conditioner signal code setting, try each of the signal codes ($A \rightarrow B \rightarrow C \rightarrow D$) until you find the code which operates the air conditioner.

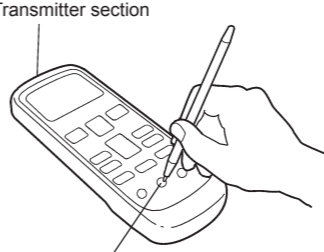
CHECK ITEMS

- Is operation of each button on the remote controller normal?
 - Does each lamp light normally?
 - Is the drain normal?
 - Is there any error noise and vibration during operation?
- Do not operate the air conditioner in the running state for a long time.
 - Test running

When the air conditioner is run by pressing the remote controller TEST RUN button, the OPERATION and TIMER lamps flash slowly at the same time.

[OPERATION METHOD]

- For the operation method, refer to the operating manual.
- The outdoor unit may not operate depending on the room temperature. In this case, press the TEST RUN button on the remote controller while the air conditioner is running. (Point the transmitter section of the remote controller toward the air conditioner and press the TEST RUN button with the tip of a ball-point pen, etc.)



TEST RUN button

- To end test operation, press the remote controller START/STOP button.

(When the air conditioner is run by pressing the TEST RUN button, the OPERATION indicator lamp and TIMER indicator lamp will simultaneously flash slowly.)

[ERROR CONTENTS]

OPERATION lamp (green)	TIMER lamp (orange)	ECONOMY lamp (green)	Error display		Description
			Wired remote controller Error code	Transmitter section	
●(1)	●(1)	◇	11	11	Serial communication error
●(1)	●(2)	◇	12	12	Wired remote controller communication error
●(1)	●(5)	◇	15	15	Check run unfinished
●(2)	●(1)	◇	21	21	R.C. address or Refrigerant circuit address setting error [Simultaneous Multi]
●(2)	●(2)	◇	22	22	Indoor unit capacity error
●(2)	●(3)	◇	23	23	Combination error
●(2)	●(4)	◇	24	24	• Connection R.C. address error (indoor secondary unit) [Simultaneous Multi] • Connection R.C. address error (indoor unit or branch unit) [Flexible Multi]
●(2)	●(7)	◇	27	27	Primary unit, secondary unit setup error [Simultaneous Multi]
●(3)	●(1)	◇	31	31	Power supply interruption error

●(3)	●(2)	◇	32	32	Indoor unit PCB model information error
●(3)	●(5)	◇	35	35	Manual auto switch error
●(4)	●(1)	◇	41	41	Inlet air temp. sensor error
●(4)	●(2)	◇	42	42	Indoor unit Heat Ex. Middle temp. sensor error
●(5)	●(1)	◇	51	51	Indoor unit fan motor error
●(5)	●(3)	◇	53	53	Drain pump error
●(5)	●(7)	◇	57	57	Damper error
●(5)	●(15)	◇	5U	5U	Indoor unit error
●(6)	●(2)	◇	62	62	Outdoor unit main PCB model information error or communication error
●(6)	●(3)	◇	63	63	Inverter error
●(6)	●(4)	◇	64	64	Active filter error, PFC circuit error
●(6)	●(5)	◇	65	65	Trip terminal L error
●(6)	●(10)	◇	6A	6A	Display PCB microcomputers communication error
●(7)	●(1)	◇	71	71	Discharge temp. sensor error
●(7)	●(2)	◇	72	72	Compressor temp. sensor error
●(7)	●(3)	◇	73	73	Outdoor unit Heat Ex. liquid temp. sensor error
●(7)	●(4)	◇	74	74	Outdoor temp. sensor error
●(7)	●(5)	◇	75	75	Suction Gas temp. sensor error
●(7)	●(6)	◇	76	76	• 2-way valve temp. sensor error • 3-way valve temp. sensor error
●(7)	●(7)	◇	77	77	Heat sink temp. sensor error
●(8)	●(2)	◇	82	82	• Sub-cool Heat Ex. inlet temp. sensor error • Sub-cool Heat Ex. gas outlet temp. sensor error
●(8)	●(3)	◇	83	83	Liquid pipe temp. sensor error
●(8)	●(4)	◇	84	84	Current sensor error
●(8)	●(6)	◇	86	86	• Discharge pressure sensor error • Suction pressure sensor error • High pressure switch error
●(9)	●(4)	◇	94	94	Trip detection
●(9)	●(5)	◇	95	95	Compressor rotor position deflection error (permanent stop)
●(9)	●(7)	◇	97	97	Outdoor unit fan motor 1 error
●(9)	●(8)	◇	98	98	Outdoor unit fan motor 2 error
●(9)	●(9)	◇	99	99	4-way valve error
●(9)	●(10)	◇	9A	9A	Coil (expansion valve) error
●(10)	●(1)	◇	A1	A1	Discharge temp. error
●(10)	●(3)	◇	A3	A3	Compressor temp. error
●(10)	●(4)	◇	A4	A4	High pressure error
●(10)	●(5)	◇	A5	A5	Low pressure error
●(13)	●(2)	◇	J2	J2	Branch boxes error [Flexible Multi]

Display mode ● : 0.5s ON / 0.5s OFF
◇ : 0.1s ON / 0.1s OFF
() : Number of flashing