



Ururu streamer
technology air purifier
Air Conditioning
Technical Data
MCK70YV



MCK70YVM

TABLE OF CONTENTS

MCK70YV

1	Features	4
	MCK70YV	4
2	Specifications	5
3	Capacity tables	6
	Cooling Capacity Tables	6
4	Dimensional drawings	7
5	Wiring diagrams	8
	Wiring Diagrams - Single Phase	8

1 Features

1 - 1 MCK70YV

Humidification and air purification in one

- 1 > Air purification for large spaces such as residential and light commercial applications
- > Pure air thanks to Daikin 'Catch and Clean' approach in decomposing harmful substances

- > High performance HEPA filter with no need to change for 10 years
- > One of the most silent Air Purifier range on the European market



Humidification Flash Streamer

2 Specifications

1 - 1 MCK70YV

Technical specifications				MCK70YV	
Type				Humidifying air purifier	
Application				Floor standing type	
Casing	Colour			White (N9.0)	
Dimensions	Unit	Height	mm	600	
		Width	mm	395	
		Depth	mm	287	
	Packed unit	Height	mm	695	
		Width	mm	461	
		Depth	mm	347	
Weight	Unit	kg	12.5		
	Packed unit	kg	18		
Applicable room area			m ²	48 (1) / 96 (2)	
CADR			m ³ /h	375 (3)	
Air purifying operation	Power input	Turbo	kW	0.066	
		M	kW	0.016	
		L	kW	0.010	
		Silent	kW	0.008	
Humidifying operation	Power input	Turbo	kW	0.068	
		M	kW	0.018	
		L	kW	0.012	
		Silent	kW	0.011	
	Humidification (4)	Turbo	ml/h	650	
Sound pressure level (5)	Water tank capacity		l	3.6	
	Air purifying operation	Turbo	dB(A)	54	
Medium		dB(A)	37		
Low		dB(A)	27		
Silent		dB(A)	18		
Humidifying operation	Turbo	dB(A)	54		
	Medium	dB(A)	37		
	Low	dB(A)	27		
	Silent	dB(A)	23		
Fan	Type	Multi Blade Fan (Sirocco fan)			
	Air flow rate	Air purifying	Turbo	m ³ /h	420
		operation	Medium	m ³ /h	210
			Low	m ³ /h	132
			Silent	m ³ /h	60
Fan	Air flow rate	Humidifying	Turbo	m ³ /h	420
		operation	Medium	m ³ /h	210
			Low	m ³ /h	132
			Silent	m ³ /h	102
Fan motor	Speed	Drive		Direct drive	
Dust collecting method				Electrostatic HEPA filter (7)	
Deodorizing method				Flash streamer + Deodorizing catalyst	
Air filter	Type	Polyethylene terephthalate net			
Sign	Item	01	Dust sensor lamp: 3 stages // PM 2.5 sensor lamp: 3 stages / Odour sensor lamp: 3 stages // Humidity monitor : 20% - 90% / Humidity setting: Low/Standard/High / Airflow rate: Quiet/Low/Standard/Turbo / AUTO FAN mode / Econo mode / Anti-pollen mode / MOIST mode / CIRCULATION mode / Water supply lamp / Streamer lamp / Humidifier ON/OFF lamp / Sleep mode / Child proof lock lamp / AUTO operation lamp		

Standard accessories: Electrostatic HEPA filter; Quantity: 1; (6) (7)

Standard accessories: Humidifying filter; Quantity: 1; (6)

Standard accessories: Deodorising filter; Quantity: 1;

Standard accessories: Operation manual; Quantity: 1;

Standard accessories: Caster; Quantity: 4;

Electrical specifications				MCK70YV
Power cord			m	2.0
Power supply	Phase			1~
	Frequency			50/60
	Voltage			220-240/220-230
	Plug	Type		

(1)The coverage area is appropriate for operating the unit of maximum fan speed(H-H). Coverage area indicates the space where a certain amount of dust particles can be removed in 30 minutes. |

(2)Converted to NRCC standards from test values in accordance with JEM1467. |

(3)Operating sound levels are the average of values measured at 1m away from the front, left, right and top of the unit. (These are equal to the values in an anechoic chamber) |

(4)Converted to CADR standards from test values in accordance with JEM1467. |

(5)Humidification amount changes in accordance with indoor and outdoor temperature and humidity. Measurement condition: 20°C in temperature, 30% in humidity. |

(6)Electrostatic HEPA filter and humidifying filters are attached in the unit. |

(7)Requirements according to JEM1467.

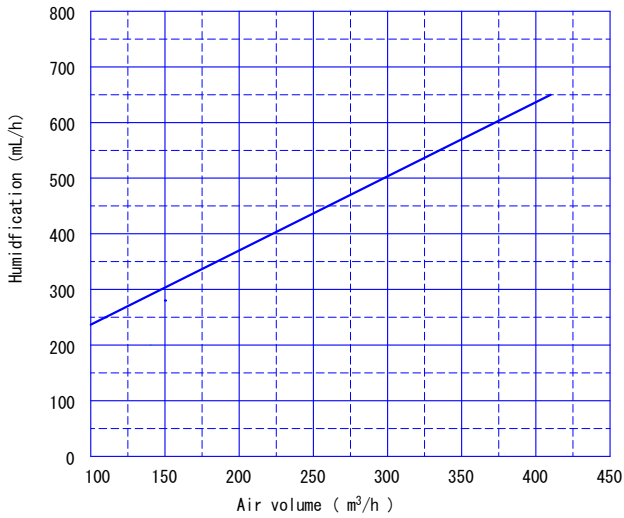
3 Capacity tables

3 - 1 Cooling Capacity Tables

3

MCK70YV
MCK70YB

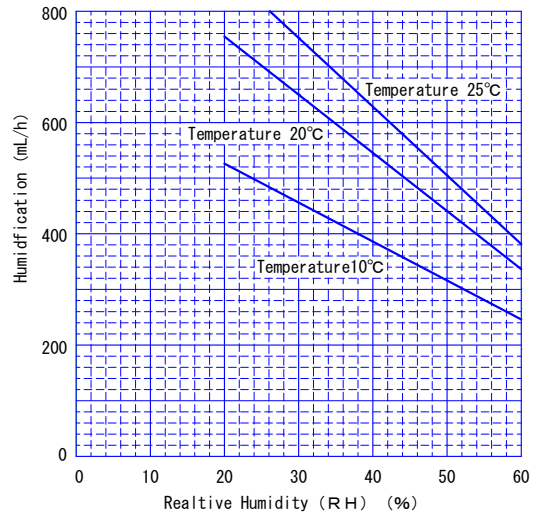
Humidification vs. Air volume



Operating Condition

Power source	220-240V/220-230V 50/60Hz
Temperature and Humidity setting	JEM 1426
Temperature	20°C
Humidity	30%
Humidity setting	High

Humidification vs. Relative Humidity



Operating Condition

Power source	220-240V/220-230V 50/60Hz
Air volume	Turbo
Humidity setting	High

Measurement condition on terms : 20°C in temperature
30% in humidity. (JEM 1426)

3D135680

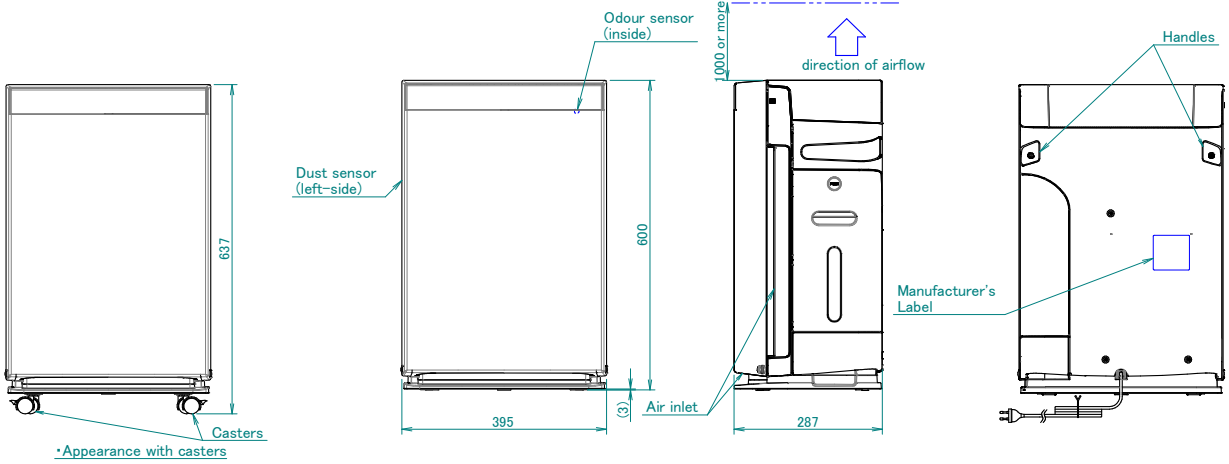
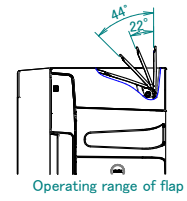
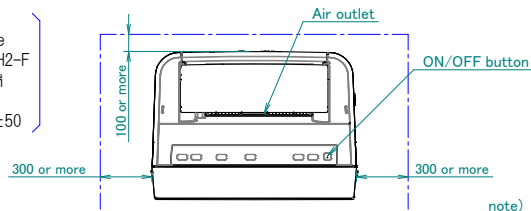
4 Dimensional drawings

4 - 1 Dimensional Drawings

MCK70YV

•Required installation space (If installed on the floor)

- Power supply cord
- Plug type : C-Type
- Type of cordage : H05VH2-F
- Cross sectional area : 0.75mm²
- No. of conductors : 2
- Length outside machine : 2000±50



•Appearance with casters

3D134659

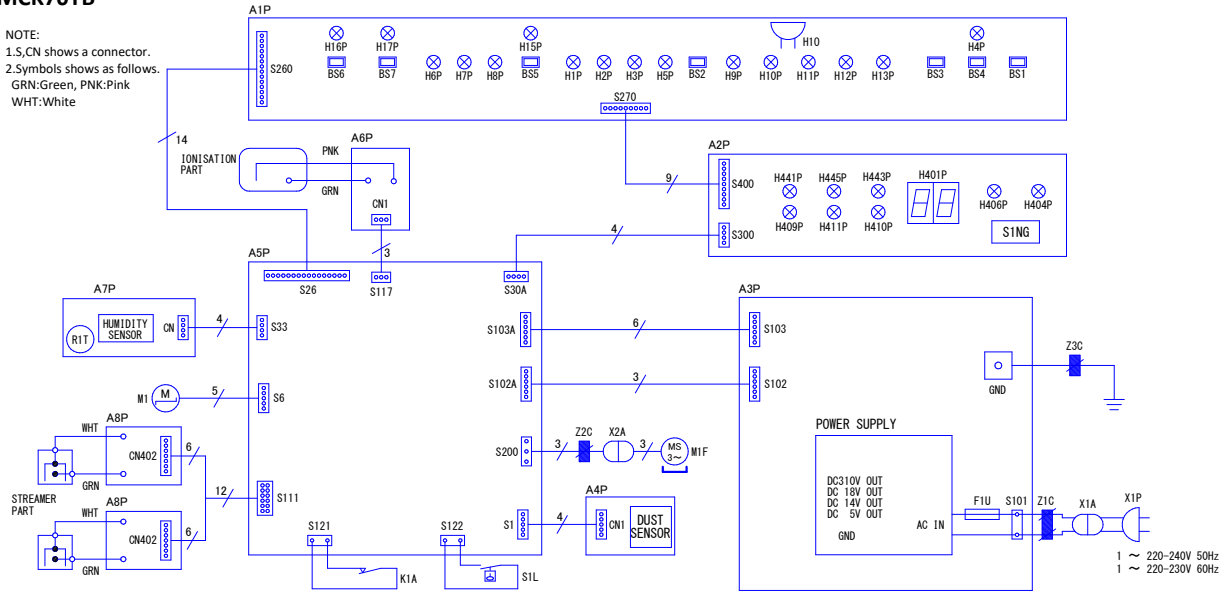
5 Wiring diagrams

5 - 1 Wiring Diagrams - Single Phase

5

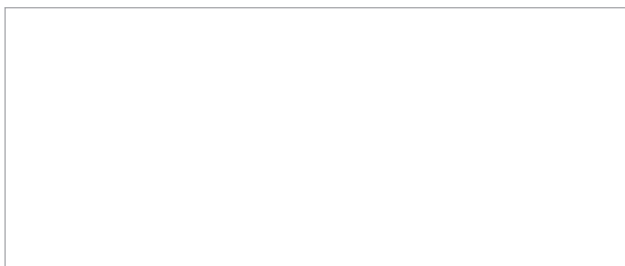
MCK70YV
MCK70YB

NOTE:
1.S,CN shows a connector.
2.Symbols shows as follows.
GRN:Green, PNK:Pink
WHT:White



A1P	PRINTED CIRCUIT BOARD (FOR OPERATION)	R1T	THERMISTOR	BS6	BRIGHTNESS ADJUSTMENT SWITCH	H7P	LED (HUMIDIFICATION-50%:GREEN)	H16P	LED (CHILD PROOF LOCK :ORANGE)	H441P	LED (DUST SIGN :RED/ORANGE)	Z1C	FERRITE CORE
A2P	PRINTED CIRCUIT BOARD (FOR DISPLAY)	M1F	FAN MOTOR	BS7	SLEEP MODE SWITCH	H8P	LED (HUMIDIFICATION-60%:GREEN)	H17P	LED (SLEEP MODE :GREEN/RED)	H443P	LED (ODOUR SIGN :RED/ORANGE)	Z2C	FERRITE CORE
A3P	PRINTED CIRCUIT BOARD (FOR POWER SUPPLY)	M1	STEPPER MOTOR (FOR HUMIDIFYING GEAR)	H1P	LED (AIRFLOW-QUIET :GREEN)	H9P	LED (AIRFLOW-AUTO :GREEN)	H401P	LED (7-SEGMENT DISPLAY-HUMIDITY MONITOR :BLUE)	H445P	LED (PM2.5 SIGN :RED/ORANGE)	Z3C	FERRITE CORE
A4P	PRINTED CIRCUIT BOARD (FOR DUST SENSOR)	BS1	MAIN SWITCH	H2P	LED (AIRFLOW-LOW :GREEN)	H10P	LED (ECONO MODE :GREEN)	H404P	LED (STREAMER:BLUE)	S1NG	ODOUR SENSOR	X1A	CONNECTOR ASSEMBLY
A5P	PRINTED CIRCUIT BOARD (FOR CONTROL)	BS2	AIRFLOW SWITCH	H3P	LED (AIRFLOW-STANDARD :GREEN)	H11P	LED (ANTI-POLLEN MODE :GREEN)	H406P	LED (WATER SUPPLY SIGN :RED)	H10	BUZZER	X2A	CONNECTOR ASSEMBLY
A6P	PRINTED CIRCUIT BOARD (HIGH VOLTAGE POWER SUPPLY FOR IONISATION)	BS3	MODE SWITCH	H4P	LED (RECOMMENDATION MODE:GREEN)	H12P	LED (MOIST MODE :GREEN)	H409P	LED (DUST SIGN :BLUE)	K1A	LIMIT SWITCH	X1P	POWER SUPPLY PLUG
A7P	PRINTED CIRCUIT BOARD (FOR HUMIDITY SENSOR)	BS4	RECOMMENDATION MODE SWITCH	H5P	LED (AIRFLOW-TURBO :GREEN)	H13P	LED (CIRCULATION MODE :GREEN)	H410P	LED (ODOUR SIGN :BLUE)	S1L	FLOAT SWITCH		
A8P	PRINTED CIRCUIT BOARD (FOR HIGH VOLTAGE POWER SUPPLY)	BS5	HUMIDIFICATION SWITCH	H6P	LED (HUMIDIFICATION-40%:GREEN)	H15P	LED (HUM ON/OFF :ORANGE)	H411P	LED (PM2.5 SIGN :BLUE)	F1U	FUSE 250V 3.15A		

3D134345



EEEDEN22

03/2022



The present publication is drawn up by way of information only and does not constitute an offer binding upon Daikin Europe N.V. / Daikin Central Europe HandelsGmbH. Daikin Europe N.V. / Daikin Central Europe HandelsGmbH have compiled the content of this publication to the best of their knowledge. No express or implied warranty is given for the completeness, accuracy, reliability or fitness for particular purpose of its content and the products and services presented therein. Specifications are subject to change without prior notice. Daikin Europe N.V. / Daikin Central Europe HandelsGmbH explicitly rejects any liability for any direct or indirect damage, in the broadest sense, arising from or related to the use and/or interpretation of this publication. All content is copyrighted by Daikin Europe N.V.