

Silent-Iconic fascia panel for cassette unit 800x800

NEW

Design White



Design Black



Discover Silent-Iconic





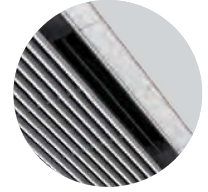
Features



A design that fits perfectly into any space
Designed to harmonize with the room – the shutter-like intake flaps are placed centrally and the fan blades are darkened to complete the discrete look.



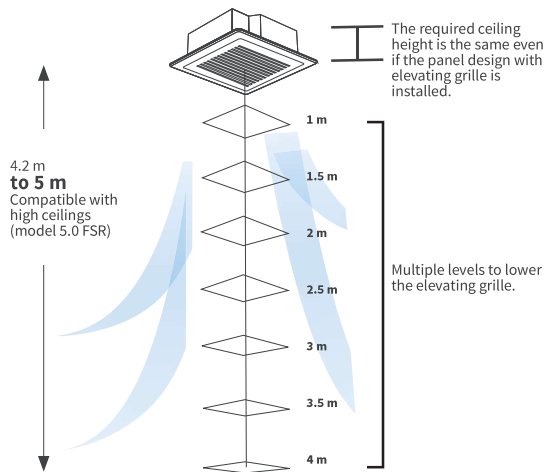
Air extraction grid



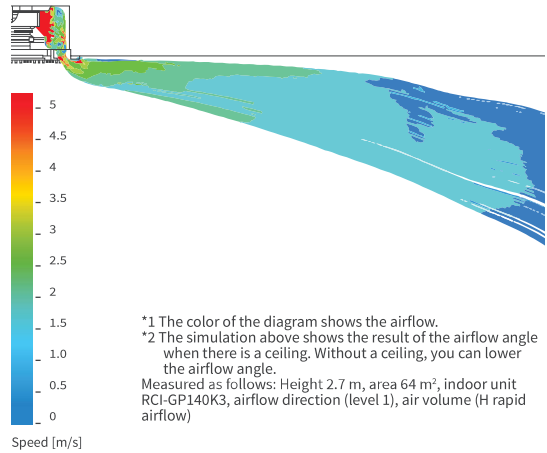
Concealed fan blades



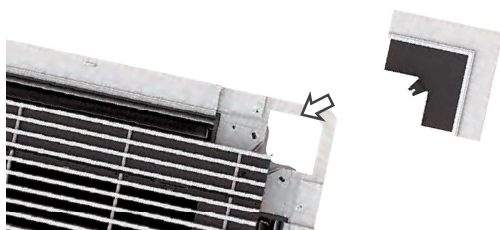
Easy-clean filter
The “fascia panel design with elevating grille” makes it easy to clean the filter. The lowering distance can reach 4 m, and the Silent-Ionic fascia panel can be installed in buildings with a high suspended ceiling heights.



Guaranteed ease-of-use
The all-new fascia panel louvre design and air outflow shape enhance the Coanda effect, which significantly improves user comfort by avoiding the direct impact of cold air circulation.



Easy-to-install front panels
Sliding edges make installation easier – just add the screws.



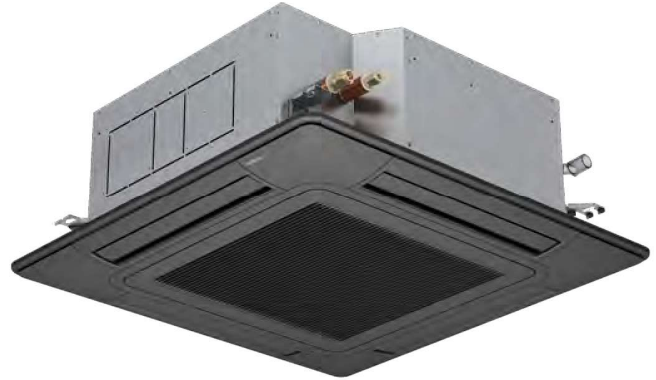
Designed to align with the ceiling surface
The small gap between the fascia panel and the ceiling gives a visual effect of “lightness” and blends in with the ceiling.



800 x 800 4-way cassette unit



Standard White front panel



Standard Black front panel

Installation time

The 800 x 800 cassette unit fits perfectly into suspended ceilings thanks to its low recess height (248 mm) as well as in high ceilings with a possible installation of up to 4.20 m, depending on the model. In addition, it is equipped as standard with a pump to remove condensation up to 850 mm.

Unrivalled comfort

The GENTLE COOL function, accessible on the wired remote control PC-ARFP1E, adjusts the min. air off temperature.

In summer, cold air drafts are avoided as you can set the air off temperature to the maximum setting.

Energy-saving

The motion sensor (optional) automatically optimizes the level of comfort while limiting the energy consumption in rooms only occupied occasionally.

It continuously analyzes thermal disparities as well as the presence of people in the room, adjusting its setting temperature (+/- 2°C), fan speed, and airflow direction to suit.

Flexibility

Our 800 x 800 cassette units have an impressive range of 2.8 to 16 kW, offering flexibility like no other on the market.

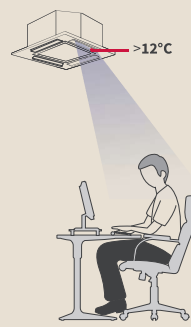
You can also use the adjustable power settings to respond precisely to each project: 4 settings to choose from, with huge ranges in airflow.

Potential for discomfort



GentleCool: OFF

GentleCool → No cold drafts



GentleCool: LOW



GentleCool: MEDIUM



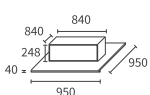
GentleCool: HIGH

Ultimate
comfort

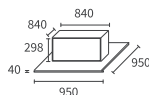


Min. Temp° control of the air off with the remote control PC-ARFP1E or the CSNET monitoring system

Indoor units



RCI-1.0FSR
RCI-1.5FSR
RCI-2.0FSR
RCI-2.5FSR



RCI-3.0FSR
RCI-4.0FSR
RCI-5.0FSR
RCI-6.0FSR

Indoor units	Unit	RCI-1.0FSR	RCI-1.5FSR	RCI-2.0FSR	RCI-2.5FSR	RCI-3.0FSR	RCI-4.0FSR	RCI-5.0FSR	RCI-6.0FSR
Power (adjustable)	Hp	1.00	1.30 – 1.50	1.80 – 2.00	2.30 – 2.50	3.00	4.00	5.00	6.00
Nominal Cooling capacity UTOPIA Prime & IVX	kW	2.50	3.60	5.00	5.60	7.10	10.00	12.50	14.00
Nominal Heating capacity UTOPIA Prime & IVX	kW	2.80	4.00	5.60	6.30	8.00	11.20	14.00	16.00
Nominal Cooling capacity SET FREE	kW	2.80	3.80 – 4.00	5.20 – 5.60	6.70 – 7.10	8.00	11.20	14.00	16.00
Nominal Heating capacity SET FREE	kW	3.20	4.20 – 4.80	5.60 – 6.30	7.50 – 8.50	9.00	12.50	16.00	18.00
Sound pressure in Cooling mode (EL/L/M/H) ⁽¹⁾ (3)	dB(A)	27 / 28 / 30 / 33	27 / 30 / 31 / 35	27 / 30 / 32 / 37	28 / 32 / 36 / 42	33 / 39 / 43 / 48	35 / 40 / 45 / 48	37 / 41 / 46 / 48	
Sound power	dB(A)	52	53	55	56	57	64	64	65
Airflow in Cooling mode (EL/L/M/H) ⁽⁴⁾	m ³ /h	540 / 660 / 780 / 900	660 / 840 / 1020 / 1260	660 / 840 / 1020 / 1320	840 / 1080 / 1380 / 1620	840 / 1080 / 1380 / 1620	1200 / 1440 / 1860 / 2220	1260 / 1560 / 1980 / 2220	1320 / 1680 / 2100 / 2220
Condensate pump	-	Yes							
Max. elevation	mm	850							
Diameter of pipes (Liq / Gas)	inches	1/4 - 1/2				3/8 - 5/8			
Condensate outlet diameter (ext.)	mm	32							
Dimensions (H x W x D)	mm	248 x 840 x 840				298 x 840 x 840			
Fascia panel dimensions (H x W x D)	mm	40 x 950 x 950							
Weight of the unit + fascia panel	kg	20 + 6.50	21 + 6.50	22 + 6.50	26 + 6.50				
Power supply	-	1 ~ 230V 50Hz							
Cable width (EN 60 335-1) ⁽²⁾	mm ²	3 x 0.75							
Recommended fuse size	A	5							
Part number for standard White front panel (Black)	-	P-N23NA2 (P-AP160KA3)							

⁽¹⁾ Sound pressure is measured under the following conditions: 1.50 m below the unit.
⁽²⁾ Data shown is for indication purposes only. It is the installer's responsibility to ensure that these cable widths meet the needs of the facility and current standards.
⁽³⁾ High-speed access is possible with remote controls PC-ARFP1E and PC-ARH1E.
⁽⁴⁾ Very low speed is available in Thermo-off mode.

Silent-Iconic front panel











	Natural White		Black
Type of fascia panel	White fascia panel design	White fascia panel design with self-elevating grille	Black fascia panel design
Part number	P-GP160NAP	P-GP160NAPU	P-GP160KAP
Dimensions (H x L x D)	52 x 950 x 950 mm		



Fascia panel lift	d7	01	02	03	04	05	06	07
Control lowering on wired remote control PC-ARFP1E	Lowers in 7 stages	1.0 m	1.5 m	2.0 m	2.5 m	3.0 m	3.5 m	4.0 m

You can have multiple contacts with the connector PCC-1A : progress report, error report, thermostat control, remote "Start/Stop".

Controls and compatible accessories (see the tab VRF TWIN Controls)

-  Simple wired controller
PC-ARH1E
-  Infrared controller
PC-AWR
-  Hard wired remote
PC-ARFP1E
(PC-ARFG-E available in 2022)
-  Fresh air kit
PD-75A
-  Remote sensor
THM-R2AE
-  Infrared receiver
PC-ALH3 (integrated) PC-ALHZ1 (external)
-  Multi-tenant card
PC-AMTB
-  Motion sensor
PS-MSK2
-  Connectors
PCC-1A
-  Remote blower connection kit
PDF-71C1 / PDF-160C1