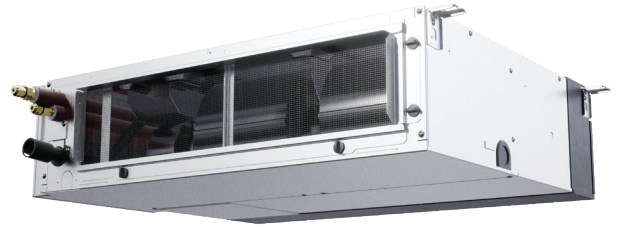


HITACHI

VRF Ducted units

Compact and powerful range
for commercial applications



Cooling & Heating



Benefits

Installation & maintenance has never been so easy !

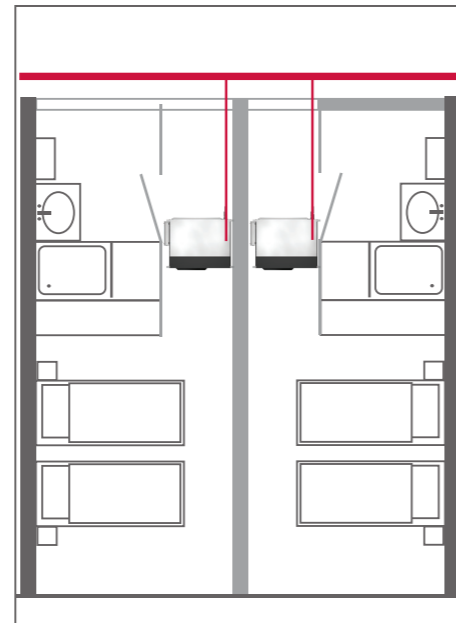
REAR CONNECTIONS

Only for RPIL-FSRE



- No need for access space at unit's side for pipe connections.
- Easy left and right connections for refrigerant and condensate pipes.
- Time saving solution in hotels where main piping is in the corridor (no need for an elbow).

Installation example in an hotel

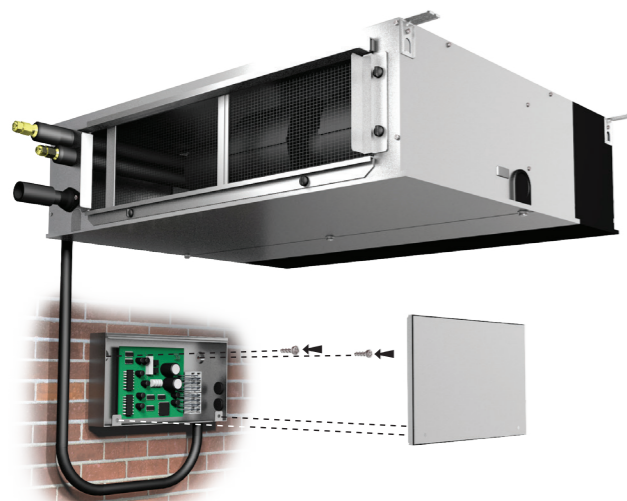


DETACHABLE ELECTRICAL BOX

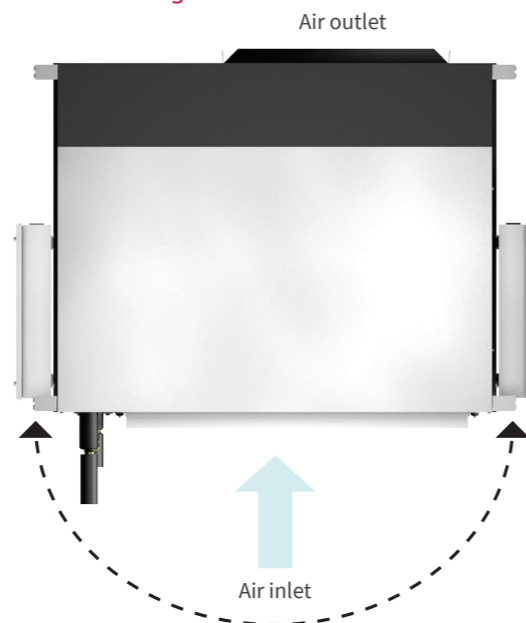
Only for RPIL-FSRE & RPI-1.5/2.0FSRE

- The electrical box is located on the left hand side but can be moved to the right hand side or fixed remotely to the wall for ease of installation and maintenance.

Wall mounting

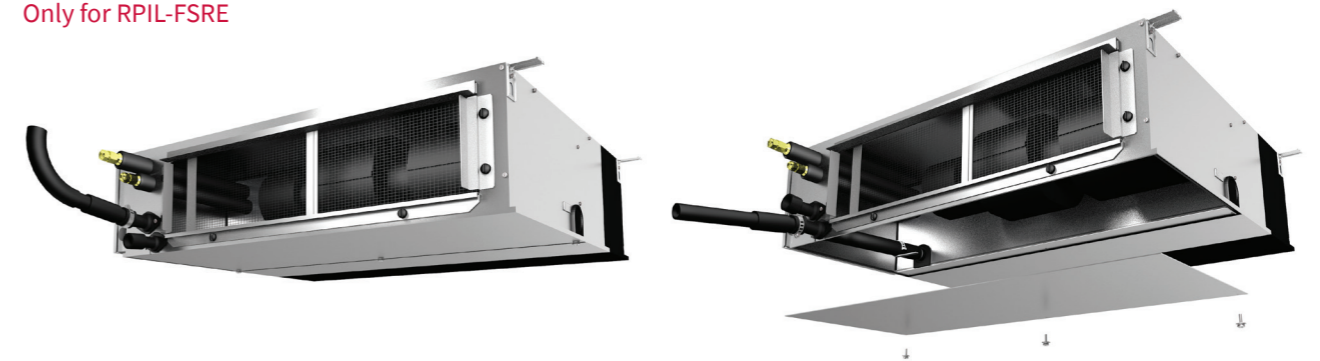


From left to right side



DISCONNECTABLE DRAIN PUMP FOR GRAVITY DRAIN

Only for RPIL-FSRE



Drain pump included

- RPIL is equipped with a drain pump to match most installation requirements with 850mm of lift.

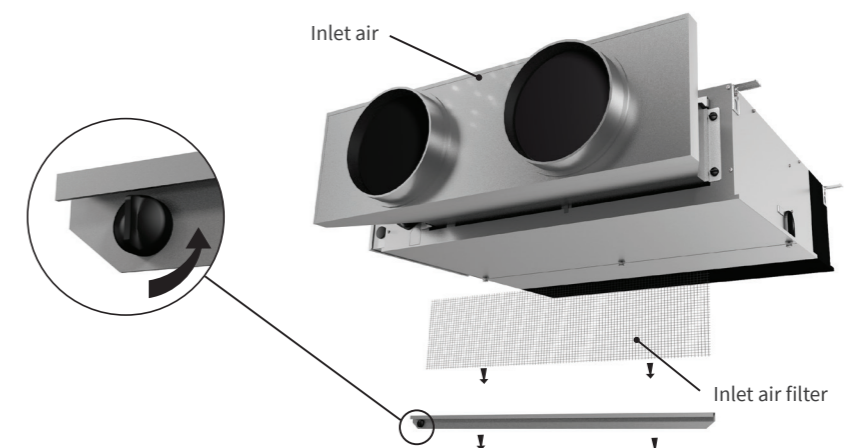
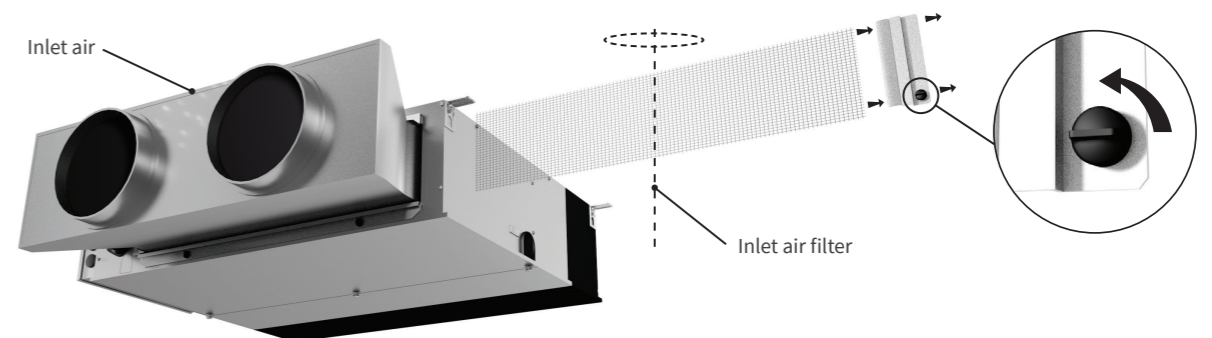
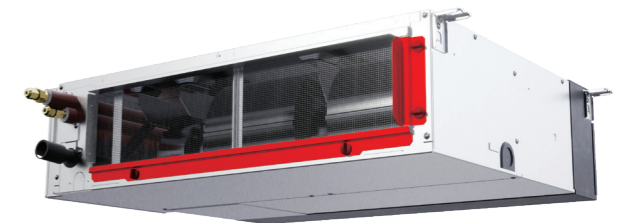
Gravity drain with same model by disconnecting drain pump

- For gravity drain, installer just needs to add a gravity pipe kit (DDGK15R) and disconnect drain pump from PCB (CN36).
- Both drain options are available to adapt to unplanned installation constraint when gravity drain is preferred.

SMART FILTER ACCESS

Only for RPIL-FSRE, RPI-FSRE and RPIH-FSRE

- No tools required for filter access to the side or below.
- Flexible filter access for use in narrow spaces.
- Filter can be removed with optional plenum installed.



Solutions





Ducted units

AIR CONDITIONING TURNED INVISIBLE!



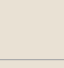

Our 4 types of ducted units offer a variety of ESP levels to ensure your project needs are met.

 <p>NEW</p> <p>SLIM 100 PA [RPIL-FSRE]</p> <ul style="list-style-type: none"> • Most compact with 197 mm height and 750 mm width 	 <p>NEW</p> <p>MEDIUM ESP 150 PA [RPI-FSRE]</p> <ul style="list-style-type: none"> • Low profile with 240 mm height up to 16 kW 	 <p>NEW</p> <p>HIGH ESP 200 PA [RPIH-FSRE]</p> <ul style="list-style-type: none"> • High ESP for most demanding applications 	 <p>HIGH ESP 220 PA [RPI-FSN3E]</p> <ul style="list-style-type: none"> • High capacities up to 56 kW
--	---	--	---

From 1.1kW to 28kW

Ducted indoor units	Cooling (kW)	1.1	1.7	2.2	2.8	4.0	5.6	7.1	8.0	11.2	14.0	16.0	22.4	28.0	45.0	56.0
SLIM 100 PA [RPIL-FSRE]		●	●	●	●	●										
MEDIUM ESP 150 PA [RPI-FSRE]						●	●	●	●	●	●	●				
HIGH ESP 200 PA [RPIH-FSRE]										●	●	●				
HIGH ESP 220 PA [RPI-FSN3E]													●	●	●	●

RANGE FEATURES

	RPIL-FSRE	RPI-FSRE		RPIH-FSRE	RPI-FSN3E	
 Static Pressure	100 Pa	150 Pa		200 Pa	220 Pa	
 Capacities	0,4-1,5 HP	1,5/2 HP	2,5/3 HP	4/5/6 HP	4/5/6 HP	8/10 HP 16/20 HP
 Height	197 mm	240 mm		340 mm	423 mm	846 mm
 Width	750 mm	750 mm	1084 mm	1474 mm	1474 mm	1592 mm
Detachable electrical box	●	●	-	-	-	-
Connections at the rear	●	-	-	-	-	-
 Drain pump	● (disconnectable)	●	●	●	●	-
Bottom / rear air inlet	●	●	●	●	-	-
Smart filter access	●	●	●	●	●	-
Input contacts for key card	●	●	●	●	●	●
 R32 compatible	●	●	●	●	●	-
 R410a compatible	●	●	●	●	●	●



Slim ducted unit

RPIL-FSRE



Compact model, designed for narrow spaces

- Only 197 mm Height and 750 mm Width
- Refrigerant and drain connections located at the rear for easier connection
- Detachable electric box for mounting to the wall or switching to the other side of the unit

Free energy savings options

- Built-in dry contacts for key card and window interlock. Several options including mode change and temperature set back are available
- Optional motion sensor

Powerful and flexible to match installation specification

- Up to 100 Pa external static pressure
- Built-in drain pump with up to 850 mm elevation lift. Drain pump can be bypassed for gravity drain.
- Filter can be removed from bottom or side without unmounting plenum
- Can work with 30% fresh air supply
- Compatible with R32 and R410 refrigerant

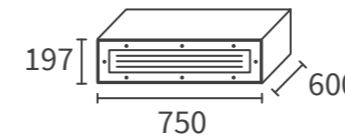


- Rear connections
- Detachable electrical box
- Gravity drain
- Smart filter access

SPECIFICATIONS

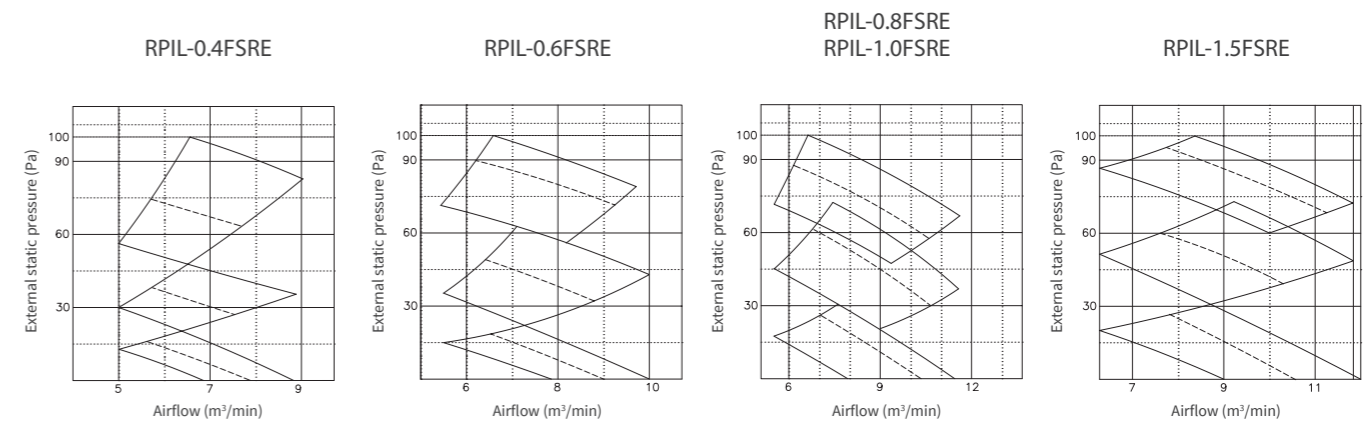
MODEL	UNIT	RPIL-0.4FSRE	RPIL-0.6FSRE	RPIL-0.8FSRE	RPIL-1.0FSRE	RPIL-1.5FSRE
Power supply		1~ 230V 50Hz				
Nominal cooling capacity (UTOPIA, IVX)	kW	-	-	2.0	2.5	3.6
Nominal heating capacity (UTOPIA, IVX)	kW	-	-	2.2	2.8	4.0
Nominal cooling capacity (SET FREE)	kW	1.1	1.7	2.2	2.8	4.0
Nominal heating capacity (SET FREE)	kW	1.3	1.9	2.5	3.2	4.8
Airflow ⁽²⁾	Speed (Hi/Me/Lo)	m ³ /min				
	Nominal (min. - max.)	5.0 / 5.5 / 6.0 (SP02) ⁽²⁾	5.5 / 6.5 / 7.3 (SP02) ⁽²⁾	5.7 / 6.5 / 7.7 (SP02) ⁽²⁾	5.7 / 6.5 / 7.7 (SP02) ⁽²⁾	6.5 / 7.9 / 8.8 (SP02) ⁽²⁾
External static pressure ⁽³⁾	Pa	15 (0-100)	15 (0-100)	25 (0-100)	25 (0-100)	25 (0-100)
Sound pressure level (nominal air flow)	Speed (Hi/Me/Lo)	dB(A)				
		22 / 23 / 24 (SP02) ⁽²⁾	23 / 25 / 27 (SP02) ⁽²⁾	23 / 25 / 28 (SP02) ⁽²⁾	23 / 25 / 28 (SP02) ⁽²⁾	25 / 28 / 30 (SP02) ⁽²⁾
Sound pressure level (minimum air flow)	Speed (Lo)	dB(A)				
		22	23	23	23	25
Sound power level ⁽⁴⁾	Speed (Hi)	dB(A)				
		48 (SP02) ⁽²⁾	51 (SP02) ⁽²⁾	52 (SP02) ⁽²⁾	52 (SP02) ⁽²⁾	53 (SP02) ⁽²⁾
Nominal input power	Speed (Lo)	kW				
		0.02	0.02	0.02	0.03	0.03
Dimensions	Height	mm				
	Width	mm				
	Depth	mm				
Net weight	kg	23				
Refrigerant		R32/R410A (factory-charged with corrosion-proof nitrogen)				
Refrigerant pipe connection		Flare nuts				
Refrigerant pipe size	Liquid	mm (in)				
	Gas	mm (in)				
		ø6.35 (1/4)				
		ø12.7 (1/2)				
Drain pump		Included, disconnectable for gravity drain				
Drain-up height	mm	850				
Condensation drain connection ⁽¹⁾	mm	ø32 ⁽¹⁾				
MC Protection fuse	A	5				

⁽¹⁾ Outer diameter (VP25).
⁽²⁾ SP: external static pressure (set with Optional Function "C5" in the remote control: 00: Standard, 01: High external static pressure, 02: Low external static pressure).
⁽³⁾ Nominal: External static pressure at nominal air flow volume.
⁽⁴⁾ Sound Power data at Nominal External Static Pressure



RPIL-0.4FSRE
 RPIL-0.6FSRE
 RPIL-0.8FSRE
 RPIL-1.0FSRE
 RPIL-1.5FSRE

STATIC PRESSURE CURVES



Use the remote control to set static pressure (C5 parameter).

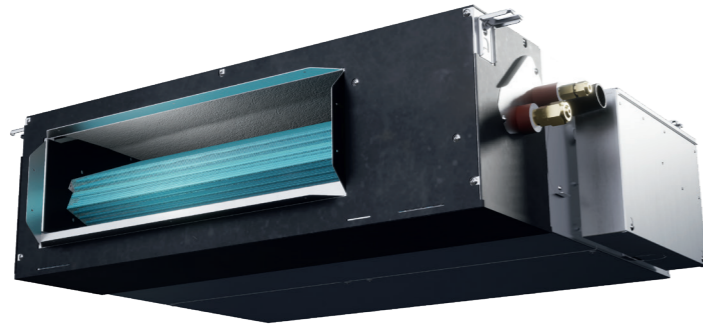
CONTROLS AND COMPATIBLE ACCESSORIES

- Simple wired controller PC-ARH1E
- Infrared controller PC-AWR
- Hard wired controller with timer PC-ARFP1E (PC-ARFG-E available second half of 2021)
- Motion sensor All sizes of ducted unit SOR-MSK
- Remote sensor THM-R2AE
- Infrared receiver PC-ALHZ1 (external)
- Multi-tenant card PC-AMTB
- Connectors PCC-1A
- Drain gravity kit D-DGK15R
- Inlet change accessory D-ICA15R → RPIL (100 Pa)

PCC-1A connector opens a wide range of input/output functions : remote start/stop, thermostat control, operation status, error report, etc.

Medium static pressure ducted

RPI-FSRE



Compact models for narrow spaces

- Only 240 mm Height up to 16 kW
- 750 mm Width up to 5 kW
- Detachable electric box for mounting to the wall or switching to the other side of the unit - up to 5 kW

Free energy savings options

- Built-in dry contacts for key card and window interlock. Several options including mode change and temperature set back are available
- Optional motion sensor

Powerful and flexible to match installation constraints

- Up to 150 Pa external static pressure
- Built-in drain pump with up to 850 mm elevation lift.
- Filter can be removed from bottom or right side without unmounting plenum
- Can work with 30% fresh air supply
- Compatible with R32 and R410 refrigerant



- Detachable electrical box
- Smart filter access

CONTROLS AND COMPATIBLE ACCESSORIES



Simple wired controller
PC-ARH1E



Infrared controller
PC-AWR



Hard wired controller with timer
PC-ARFP1E
(PC-ARFG-E available second half of 2021)



Motion sensor
All sizes of ducted unit
SOR-MSK



Remote sensor
THM-R2AE



Infrared receiver
PC-ALHZ1 (external)



Multi-tenant card
PC-AMTB



Connectors
PCC-1A



Inlet change accessory
D-ICA20R → RPI 1.5 to 2.0 HP
D-ICA30R → RPI 2.5 to 3.0 HP
D-ICA60R → RPI 4.0 to 6.0 HP

PCC-1A connector opens a wide range of input/output functions : remote start/stop, thermostat control, operation status, error report, etc.

SPECIFICATIONS

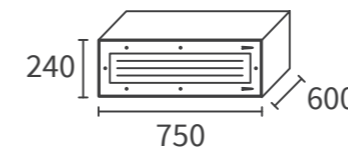
MODEL	UNIT	RPI-1.5FSRE	RPI-2.0FSRE	RPI-2.5FSRE	RPI-3.0FSRE	RPI-4.0FSRE	RPI-5.0FSRE	RPI-6.0FSRE	
Power supply		1~ 230V 50Hz							
Nominal cooling capacity (UTOPIA, IVX)	kW	3.6	5.0	5.6	7.1	10.0	12.5	14.0	
Nominal heating capacity (UTOPIA, IVX)	kW	4.0	5.6	6.3	8.0	11.2	14.0	16.0	
Nominal cooling capacity (SET FREE)	kW	4.0	5.6	7.1	8.0	11.2	14.0	16.0	
Nominal heating capacity (SET FREE)	kW	4.8	6.3	8.5	9.0	12.5	16.0	18.0	
Airflow ⁽²⁾	Speed (Hi//Me/Lo)	m ³ /min	10/11.5/14 (SP02) ⁽²⁾	10.5/12/14 (SP02) ⁽²⁾	15/17/20 (SP02) ⁽²⁾	16/19/21.5 (SP02) ⁽²⁾	28/34.5/36 (SP00) ⁽²⁾	32/35/37 (SP00) ⁽²⁾	32.5/35.5/37.5 (SP00) ⁽²⁾
External static pressure ⁽³⁾	Nominal (min. - max.)	Pa	25 (0-150)	25 (0-150)	30 (0-150)	30 (0-150)	37 (0-150)	50 (0-150)	50 (0-150)
Sound pressure level (nominal air flow)	Speed (Hi//Me/Lo)	dB(A)	29/30/32 (SP02) ⁽²⁾	29/30/32 (SP02) ⁽²⁾	30/32/34 (SP02) ⁽²⁾	31/33/35 (SP02) ⁽²⁾	35/38/39 (SP00) ⁽²⁾	36/38/40 (SP00) ⁽²⁾	36/38/40 (SP00) ⁽²⁾
Sound pressure level (minimum air flow)	Speed (Lo)	dB(A)	26	27	27	28	33	34	34
Sound power level ⁽⁴⁾	Speed (Hi)	dB(A)	55 (SP02) ⁽²⁾	58 (SP02) ⁽²⁾	57 (SP02) ⁽²⁾	59 (SP02) ⁽²⁾	62 (SP00) ⁽²⁾	64 (SP00) ⁽²⁾	64 (SP00) ⁽²⁾
Nominal input power	Speed (Lo)	kW	0.04	0.04	0.09	0.10	0.08	0.10	0.11
Dimensions	Height	mm	240						
	Width	mm	750		1084		1474		
	Depth	mm	600						
Net weight	kg	26		32		42			
Refrigerant		R32/R410A (factory-charged with corrosion-proof nitrogen)							
Refrigerant pipe connection		Liquid			Gas			Flare nuts	
Refrigerant pipe size	mm (in)	ø6.35 (1/4)			ø9.52 (3/8)			ø15.88 (5/8)	
Drain pump		Included							
Drain-up height	mm	850							
Condensation drain connection ⁽¹⁾	mm	ø32 ⁽¹⁾							
MC Protection fuse	A	5							

⁽¹⁾ Outer diameter (VP25).

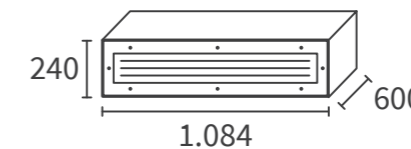
⁽²⁾ SP: external static pressure (set with Optional Function "CS" in the remote control: 00: Standard, 01: High external static pressure, 02: Low external static pressure).

⁽³⁾ Nominal: External static pressure at nominal air flow volume.

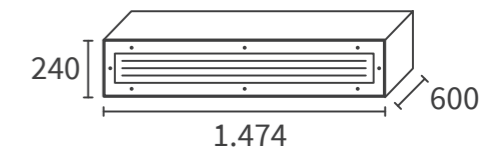
⁽⁴⁾ Sound Power data at Nominal External Static Pressure



RPI-1.5FSRE
RPI-2.0FSRE

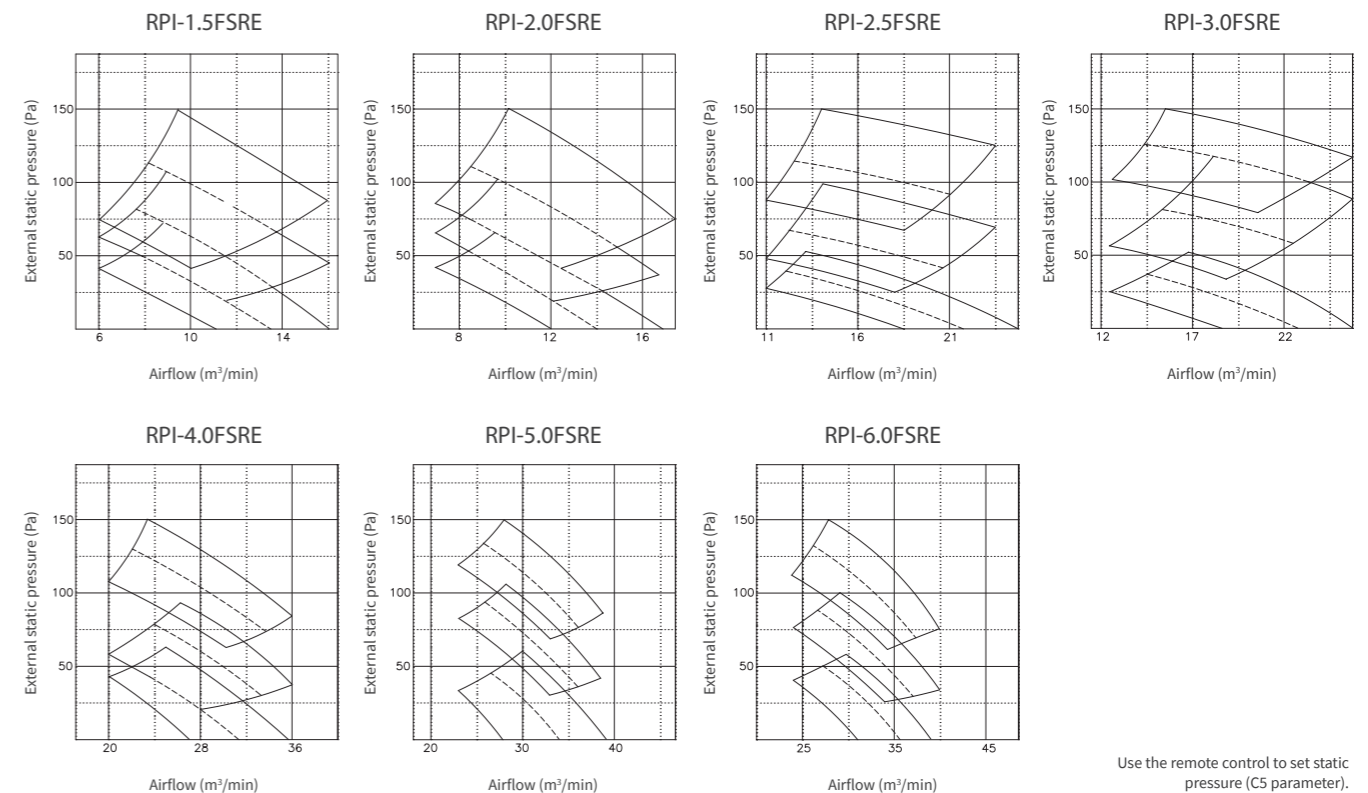


RPI-2.5FSRE
RPI-3.0FSRE



RPI-4.0FSRE
RPI-5.0FSRE
RPI-6.0FSRE

STATIC PRESSURE CURVES



Use the remote control to set static pressure (CS parameter).

High static pressure ducted

RPIH-FSRE



High static pressure for demanding applications

- Up to 200 Pa external static pressure

Free energy savings options

- Built-in dry contacts for key card and window interlock. Several options including mode change and temperature set back are available

- Optional motion sensor



- Smart filter access

CONTROLS AND COMPATIBLE ACCESSORIES



Simple wired controller
PC-ARH1E



Infrared controller
PC-AWR



Hard wired controller with timer
PC-ARFP1E
(PC-ARFG-E available second half of 2021)



Motion sensor
All sizes of ducted unit
SOR-MSK



Remote sensor
THM-R2AE



Infrared receiver
PC-ALHZ1 (external)



Multi-tenant card
PC-AMTB



Connectors
PCC-1A

PCC-1A connector opens a wide range of input/output functions : remote start/stop, thermostat control, operation status, error report, etc.

SPECIFICATIONS

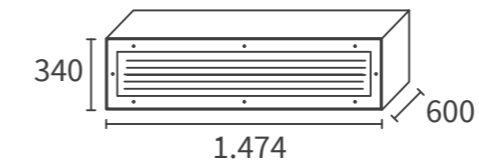
MODEL	UNIT	RPIH-4.0FSRE	RPIH-5.0FSRE	RPIH-6.0FSRE
Power supply		1~ 230V 50Hz		
Nominal cooling capacity (UTOPIA, IVX)	kW	10.0	12.5	14.0
Nominal heating capacity (UTOPIA, IVX)	kW	11.2	14.0	16.0
Nominal cooling capacity (SET FREE)	kW	11.2	14.0	16.0
Nominal heating capacity (SET FREE)	kW	12.5	16.0	18.0
Airflow ⁽²⁾	Speed (Hi//Me/Lo) m ³ /min	29/31.5/35 (SP00) ⁽²⁾	32/34/36 (SP00) ⁽²⁾	32/34/36 (SP00) ⁽²⁾
External static pressure ⁽³⁾	Nominal (min. - max.) Pa	155 (0-200)	155 (0-200)	155 (0-200)
Sound pressure level (nominal air flow)	Speed (Hi//Me/Lo) dB(A)	35/38/39 (SP00) ⁽²⁾	36/38/40 (SP00) ⁽²⁾	36/38/40 (SP00) ⁽²⁾
Sound pressure level (minimum air flow)	Speed (Lo) dB(A)	33	34	34
Sound power level ⁽⁴⁾	Speed (Hi) dB(A)	62 (SP00) ⁽²⁾	64 (SP00) ⁽²⁾	64 (SP00) ⁽²⁾
Nominal input power	Speed (Lo) kW	0.08	0.10	0.11
Dimensions	Height mm	340		
	Width mm	1474		
	Depth mm	600		
Net weight	kg	44		
Refrigerant		R32/R410A (factory-charged with corrosion-proof nitrogen)		
Refrigerant pipe connection		Flare nuts		
Refrigerant pipe size	Liquid mm (in)	ø9.52 (3/8)		
	Gas mm (in)	ø15.88 (5/8)		
Drain pump		Included		
Drain-up height	mm	850		
Condensation drain connection ⁽¹⁾	mm	ø32 ⁽¹⁾		
MC Protection fuse	A	5		

⁽¹⁾ Outer diameter (VP25).

⁽²⁾ SP: external static pressure (set with Optional Function "C5" in the remote control: 00: Standard, 01: High external static pressure, 02: Low external static pressure).

⁽³⁾ Nominal: External static pressure at nominal air flow volume.

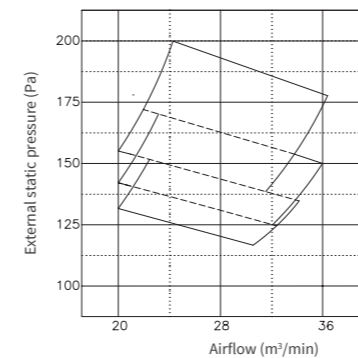
⁽⁴⁾ Sound Power data at Nominal External Static Pressure



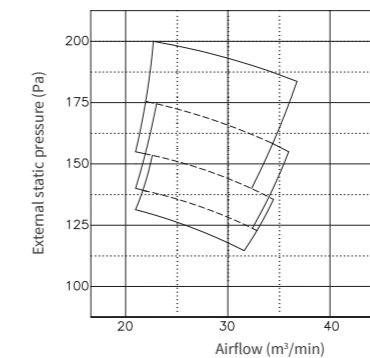
RPIH-4.0FSRE
RPIH-5.0FSRE
RPIH-6.0FSRE

STATIC PRESSURE CURVES

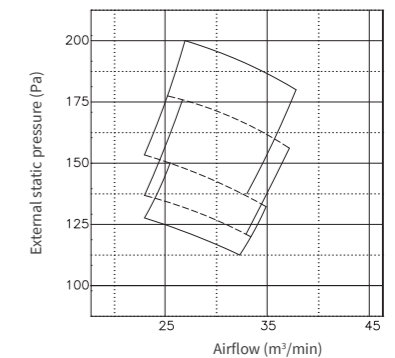
RPIH-4.0FSRE



RPIH-5.0FSRE



RPIH-6.0FSRE



Use the remote control to set static pressure (C5 parameter).

High static pressure ducted

RPI-FSN3E



High static pressure for demanding applications

- Up to 220 Pa external static pressure
- Can work with 30% fresh air supply

Non flammability version (-f)

- Insulation M0 and metal fan to comply to fire safety local regulation

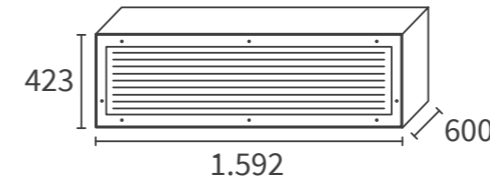
Free energy savings options

- Built-in dry contacts for key card and window interlock. Several options including mode change and temperature set back are available
- Optional motion sensor

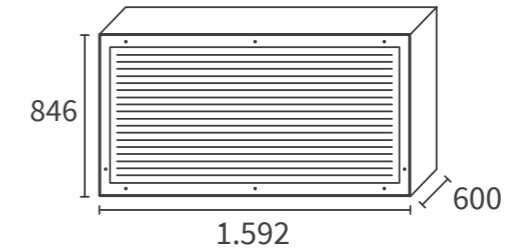
SPECIFICATIONS

MODEL	UNIT	RPI-8.0FSN3E (-f)	RPI-10.0FSN3E (-f)	RPI-16.0FSN3PE (-f)	RPI-20.0FSN3PE (-f)	
Power supply		1~ 230V 50Hz		1~ 230V 50Hz		
Nominal cooling capacity (UTOPIA, IVX)	kW	20.0	25.0	-	-	
Nominal heating capacity (UTOPIA, IVX)	kW	22.4	28.0	-	-	
Nominal cooling capacity (SET FREE)	kW	22.4	28.0	45.0	56.0	
Nominal heating capacity (SET FREE)	kW	25.0	31.0	50.0	63.0	
Air flow (HSP) ⁽²⁾	Speed (Hi//Me/Lo)	m ³ /min	66/66/60	75/75/68.5	132/120	150/137
Air flow (LSP) ⁽³⁾	Speed (Hi//Me/Lo)	m ³ /min	66/66/59.5	75/75/67.6	132/119	150/135
Static pressure (HSP) ⁽²⁾		Pa	220/220/180	220/220/180	220/180	220/180
Static pressure (LSP) ⁽²⁾		Pa	180/180/140	180/180/140	180/140	180/140
Fan motor type (output)		W	1065	1065	2 x 1065	2 x 1065
Sound pressure level	Speed (Hi//Me/Lo)	dB(A)	54/54/51	55/55/52	56/53	57/54
Sound power level ⁽⁴⁾		dB(A)	77	78	79	80
Dimensions	Height	mm	423		846	
	Width	mm	1592			
	Depth	mm	600			
Net weight		kg	85	87	171	175
Refrigerant			R410A (factory-charged with corrosion-proof nitrogen)			
Refrigerant pipe connection			Welded connection			
Refrigerant pipe size	Liquid	mm (in)	Ø 9.52 (3/8)		2 x Ø 9.52 (3/8)	
	Gas	mm (in)	Ø 19.05 (3/4) ⁽⁴⁾	Ø 22.2 (7/8) ⁽⁴⁾	2 x Ø 19.05 (3/4)	2 x Ø 22.2 (7/8)
Condensate drain connection		v	Ø 25 (1)			
Maximum electricity demand		A	10	10	16.2	17.7
Packaging volume		m ³	0.68	0.68	0.81	0.81
Multi-Kit (required; sold separately)			-	-	1 x E-162SN4	1 x E-242SN3

⁽¹⁾ Outer diameter (VP20).
⁽²⁾ HSP: high static pressure.
⁽³⁾ LSP: low static pressure; predetermined setting.
⁽⁴⁾ Indoor unit supplied with a reduction for systems with UTOPIA IVX (8/10HP) outdoor unit.



RPI-8.0FSN3E (-f)
RPI-10.0FSN3E (-f)



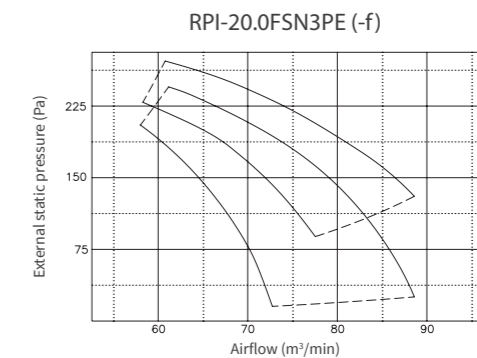
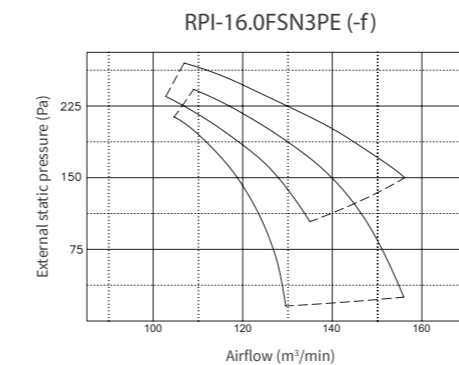
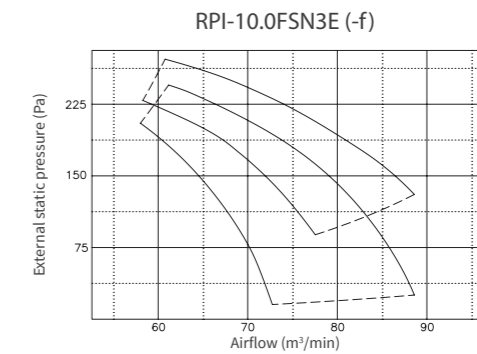
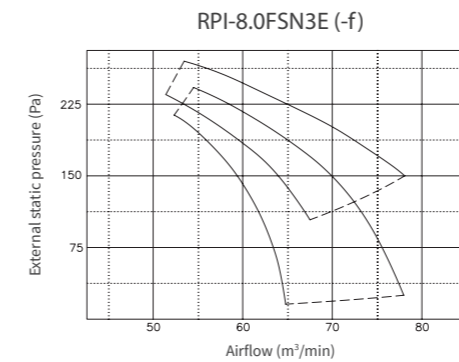
RPI-16.0FSN3PE (-f)
RPI-20.0FSN3PE (-f)

CONTROLS AND COMPATIBLE ACCESSORIES

Simple wired controller PC-ARH1E	Remote sensor THM-R2AE	Hard wired controller with timer PC-ARFP1E (PC-ARFG-E available second half of 2021)
Multi-tenant card PC-AMTB	Connectors PCC-1A	Infrared receiver PC-ALHZ1 (external)
Infrared controller PC-AWR		

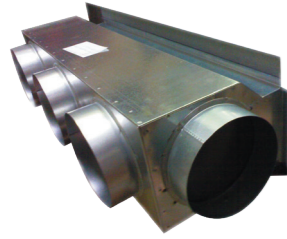
PCC-1A connector opens a wide range of input/output functions : remote start/stop, thermostat control, operation status, error report, etc.

STATIC PRESSURE CURVES



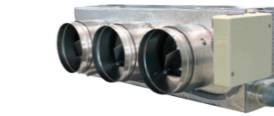
Use the remote control to set static pressure (C5 parameter).

PLENUMS (STAND-ALONE)

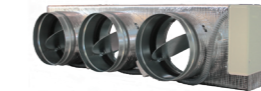


Compatibility	Plenum type	Outlet number x diameter (mm)	Model name	Description
RPIL-0.4-1.5FSRE	Outlet	2 x Ø200	PO-750X197	Outlet plenum 2xD200 RPIL-0.4-1.5FSRE
	Inlet	2 x Ø200	PI-750X197	Inlet plenum 2xD200 RPIL-0.4-1.5FSRE
	Inlet with smart filter access	2 x Ø200	PIFA-750X197	Inlet plenum FA 2xD200 RPIL-0.4-1.5FSRE
RPI-1.5/2.0FSRE	Outlet	3 x Ø200	PO-750X240	Outlet plenum 3xD200 RPI-1.5/2.0FSRE
	Inlet	3 x Ø200	PI-750X240	Inlet plenum 3xD200 RPI-1.5/2.0FSRE
	Inlet with smart filter access	3 x Ø200	PIFA-750X240	Inlet plenum FA 3xD200 RPI-1.5/2.0FSRE
RPI-2.5/3.0FSRE	Outlet	5 x Ø200	PO-1084X240	Outlet plenum 5xD200 RPI-2.5/3.0FSRE
	Inlet	3 x Ø200	PI-1084X240	Inlet plenum 3xD200 RPI-2.5/3.0FSRE
	Inlet with smart filter access	3 x Ø200	PIFA-1084X240	Inlet plenum FA 3xD200 RPI-2.5/3.0FSRE
RPI-4.0-6.0FSRE	Outlet	5 x Ø200	PO-1474X240	Outlet plenum 5xD200 RPI-4.0-6.0FSRE
	Inlet	4 x Ø200	PI-1474X240	Inlet plenum 4xD200 RPI-4.0-6.0FSRE
	Inlet with smart filter access	4 x Ø200	PIFA-1474X240	Inlet plenum FA 4xD200 RPI-4.0-6.0FSRE

COMPATIBILITY TABLE: AIRZONE PLENUM WITH DUCTED UNITS RPIL AND RPI



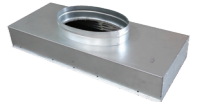
STANDARD
Height 300 mm, with fresh-air intake, air outlet 200 mm in diameter



MEDIUM
Height 250 mm, without fresh-air intake, air outlet 200 mm in diameter



SLIM
Height 210 mm, with fresh-air intake, air outlet 150 mm in diameter



		Outlet plenum	2 air outlets	3 air outlets	4 air outlets	5 air outlets	6 air outlets	Inlet plenum
RPIL-FSRE	1.0-1.5 (750 x 197 mm)	Slim	-	AZEZ6HITSL08L3	AZEZ6HITSL08L4	AZEZ6HITSL08L5	-	AZCEZHIPR08XS
		Medium	AZEZ6HITBS08XS2	AZEZ6HITBS08XS3	-	-	-	-
RPI-FSRE	1.5-2.0 (750 x 240 mm)	Standard	AZEZ6HITST08S2	AZEZ6HITST08S3	AZEZ6HITST08S4	-	-	AZCEZHIPR08S
		Medium	AZEZ6HITBS08S2	AZEZ6HITBS08S3	AZEZ6HITBS08S4	-	-	-
	2.5-3.0 (1084 x 240 mm)	Standard	-	AZEZ6HITST08M3	AZEZ6HITST08M4	AZEZ6HITST08M5	AZEZ6HITST08M6	AZCEZHIPR08M
		Medium	-	AZEZ6HITBS08M3	AZEZ6HITBS08M4	AZEZ6HITBS08M5	AZEZ6HITBS08M6	-
4.0-5.0-6.0 (1474 x 240 mm)	Standard	-	-	-	AZEZ6HITST08L5	AZEZ6HITST08L6	-	AZCEZHIPR08L
	Medium	-	-	-	AZEZ6HITBS08L5	AZEZ6HITBS08L6	-	-



CONNECTED AND INTUITIVE INTERFACES



Airzone Blueface Thermostat

Wired connection / 3.5" touchscreen: Configurable as a general thermostat or by zone. A number of features and settings, ideal for ultimate control of your entire system, for more efficient and responsible heating. End-to-end, intuitive interface. Eco-adapt and standby function for tangible energy saving. Control the temperature, mode, and fan speed. Weekly programming. Access to weather forecasts (with Airzone Cloud webserver login) to anticipate changes in temperature.



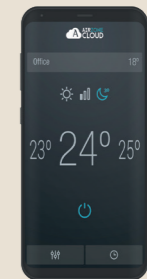
Airzone Think thermostat

Wired or wireless connection / 2.7" screen: Configurable as a general thermostat or by zone. Low-energy device that makes it easy to reduce energy costs. Stylish and intuitive interface. Control the temperature, mode, and fan speed. Access to weather forecasts (with Airzone Cloud webserver login) to anticipate changes in temperature.



Thermostat Airzone Lite

Wired or wireless connection: In systems with the Blueface thermostat, this solution is perfect for quick access to essential functions. Its modern and fun interface makes it easier to use, with colors indicating the mode and temperature of the area. Start/Stop function. Control the setting temperature in increments of 1°C with a scope of ±3°C.



Webserver Airzone Cloud

The Airzone Cloud app, compatible on your smartphone, tablet, and PC, offers complete remote control of the installation; anywhere, anytime. You can control multiple servers at once and up to 32 systems on a single webserver. All the features of your thermostats are combined on the cloud: Control the temperature, weekly programming, weather forecasts, login authorization...

Wired	AZE6BLUEFACECB	AZE6THINKCB	AZE6LITECB	AZX6WSCLOUDDINC
Wireless	-	AZE6THINKRB	AZE6LITERB	AZX6WSCLOUDDINR
Cable bus 15m	AZX6CABLEBUS15			



Johnson Controls - Hitachi Air Conditioning Europe S.A.S.

ADDRESS

2 Rue de Lombardie, Parc Aktiland II
69800 Saint Priest FRANCE
Tel: +33-4-3742-0002
www.hitachiaircon.com



HITACHI. CERTIFIED QUALITY



Eurovent certified performance:
Johnson Controls Hitachi participates in the Eurovent
Certified Performance programme for AC.
Check ongoing validity of certificate:
www.eurovent-certification.com

The specifications of this catalog may change without prior notice to allow Hitachi Cooling & Heating to incorporate the latest innovations for its customers. The information contained in this catalog is merely informative. Hitachi Cooling & Heating declines any responsibility in the broadest sense, for damage, direct or indirect, arising from the use and / or interpretation of the recommendations in this catalog.

Find the products Hitachi Cooling & Heating with the best service and conditions at your Hitachi Distributor.