

TECHNICAL CATALOGUE



MULTIZONE

**OUTDOOR UNIT**

RAM-33NP2B  
RAM-40NP2B  
RAM-53NP2B  
RAM-53NP3B  
RAM-68NP3B  
RAM-70NP4B  
RAM-90NP5B  
RAM-110NP6B

**INDOOR**

RAK-18QXB  
RAK-(25-50)RXB  
RAK-15QPB  
RAK-(18-50)RPB  
RAF-(25-50)RXB  
RAI-(25-50)QPB  
RAD-(18-50)QPB

# HITACHI

**Specifications in this catalogue are subject to change without prior notice in order for HITACHI to bring in the latest innovations to their customers**

**Whilst every effort is made to ensure that all dimensions and specifications are correct, any printers' error not rectified are outside the control of HITACHI, who cannot be held responsible for the same**

# CONTENTS

<b>CONTENTS</b>	<b>1</b>
<b>1 SPECIFICATIONS</b>	<b>1-1</b>
1.1. MULTIZONE INDOOR	1-2
1.1.1. WALL TYPE (RAK-18QXB/25RXB/35RXB/50RXB)	1-2
1.1.2. WALL TYPE (RAK-15QPB/18RPB/25RPB)	1-3
1.1.3. WALL TYPE (RAK-35RPB/50RPB)	1-4
1.1.4. FLOOR TYPE (RAF-25RXB/35RXB/50RXB)	1-5
1.1.5. CEILING CASSETTE (RAI-25QPB/35QPB/50QPB)	1-6
1.1.6. DUCT TYPE (RAD-18QPB/25QPB/35QPB/50QPB)	1-7
1.1.7. DUCT STATIC PRESSURE AND AIR FLOW	1-8
1.2. MULTIZONE OUTDOOR	1-10
1.2.1. RAM-33NP2B/40NP2B/53NP2B/53NP3B	1-10
1.2.2. RAM-68NP3B/70NP4B/90NP5B	1-11
1.2.3. RAM-110NP6B	1-12
<b>2 DIMENSIONAL DATA</b>	<b>2-1</b>
2.1. MULTIZONE INDOOR UNITS	2-2
2.1.1. WALL TYPE: RAK-18QXB/25RXB/35RXB/50RXB	2-2
2.1.2. WALL TYPE: RAK-15QPB/18RPB/25RPB	2-3
2.1.3. WALL TYPE: RAK-35RPB/50RPB	2-4
2.1.4. FLOOR TYPE: RAF-25RXB/35RXB/50RXB	2-5
2.1.5. CEILING CASSETTE TYPE: RAI-25QPB/35QPB/50QPB/ECPP	2-6
2.1.6. DUCT TYPE: RAD-18QPB/25QPB/35QPB/50QPB	2-7
2.2. MULTIZONE OUTDOOR UNITS	2-8
2.2.1. 2 ROOMS MULTIZONE: RAM-33NP2B/RAM-40NP2B	2-8
2.2.2. 2 ROOMS MULTIZONE: RAM-53NP2B	2-9
2.2.3. 3 ROOMS MULTIZONE: RAM-53NP3B	2-10
2.2.4. 3 ROOMS MULTIZONE: RAM-63NP3B	2-11
2.2.5. 4 ROOMS MULTIZONE: RAM-70NP4B	2-12
2.2.6. 5 ROOMS MULTIZONE: RAM-90NP5B	2-13
2.2.1. 6 ROOMS MULTIZONE: RAM-110NP6B	2-14
<b>3 CAPACITIES AND SELECTION DATA</b>	<b>3-1</b>
3.1. SYSTEM SELECTION PROCEDURE	3-2
3.1.1. SELECTION UNIT FEATURES	3-2
3.1.2. SELECTION GUIDE	3-2
3.1.3. MULTIZONE COMBINATION TABLE	3-3
3.2. CAPACITY CHARACTERISTIC CURVES FOR MULTIZONE	3-12
3.2.1. RAM-33NP2B	3-12
3.2.2. RAM-40NP2B	3-16
3.2.3. RAM-53NP2B	3-21
3.2.4. RAM-53NP3B	3-27
3.2.5. RAM-68NP3B	3-39
3.2.6. RAM-70NP4B	3-55
3.2.7. RAM-90NP5B	3-79
3.2.8. RAM-110NP6B	3-132
3.3. CORRECTION FACTORS ACCORDING TO PIPING LENGTH	3-284
3.4. CORRECTION FACTORS ACCORDING TO DEFROSTING OPERATION	3-288
3.5. COMBINATION TABLE FOR MULTIZONE OUTDOOR	3-289
3.5.1. RAM-33NP2B	3-289
3.5.2. RAM-40NP2B	3-291
3.5.3. RAM-53NP2B	3-293
3.5.4. RAM-53NP3B	3-295
3.5.5. RAM-68NP3B	3-298
3.5.6. RAM-70NP4B	3-301
3.5.7. RAM-90NP5B	3-306
3.5.8. RAM-110NP6B	3-317
<b>4 SOUND DATA</b>	<b>4-1</b>
4.1. SOUND DATA	4-2
4.1.1. RAM-33NP2B	4-2
4.1.2. RAM-40NP2B	4-3
4.1.3. RAM-53NP2B	4-4
4.1.4. RAM-53NP3B	4-5
4.1.5. RAM-68NP3B	4-6
4.1.6. RAM-70NP4B	4-7
4.1.7. RAM-90NP5B	4-8
4.1.8. RAM-110NP6B	4-9

<b>5</b>	<b>WORKING RANGE</b>	<b>5-1</b>
5.1.	POWER SUPPLY	5-2
5.2.	WORKING RANGE	5-2
5.2.1.	MULTIZONE	5-2
<b>6</b>	<b>ELECTRICAL DATA</b>	<b>6-1</b>
6.1.	INDOOR UNIT	6-2
6.2.	OUTDOOR UNIT	6-3
<b>7</b>	<b>WIRING DIAGRAM</b>	<b>7-1</b>
7.1.	MULTIZONE	7-2
7.1.1.	RAK-18QXB, RAK-25RXB, RAK-35RXB, RAK-50RXB	7-2
7.1.2.	RAK-15QPB, RAK-18RPB, RAK-25RPB, RAK-35RPB, RAK-50RPB	7-3
7.1.3.	RAF-25RXB, RAF-35RXB, RAF-50RXB	7-4
7.1.4.	RAI-25QPB, RAI-35QPB, RAI-50QPB	7-5
7.1.5.	RAD-18QPB, RAD-25QPB, RAD-35QPB, RAD-50QPB	7-6
7.1.6.	RAM-33NP2B, RAM-40NP2B, RAM-53NP2B	7-7
7.1.7.	RAM-53NP3B, RAM-68NP3B	7-8
7.1.8.	RAM-70NP4B	7-9
7.1.9.	RAM-90NP5B	7-10
7.1.10.	RAM-110NP6B	7-11
<b>8</b>	<b>REFRIGERANT CYCLE</b>	<b>8-1</b>
8.1.	MULTIZONE INDOOR UNITS	8-2
8.1.1.	WALL TYPE: RAK-18QXB, RAK-25RXB, RAK-35RXB	8-2
8.1.2.	WALL TYPE: RAK-50RXB	8-3
8.1.3.	WALL TYPE: RAK-15QPB, RAK-18RPB, RAK-25RPB	8-4
8.1.4.	WALL TYPE: RAK-35RPB, RAK-50RPB	8-5
8.1.5.	FLOOR TYPE: RAF-25RXB, RAF-35RXB	8-6
8.1.6.	FLOOR TYPE: RAF-50RXB	8-7
8.1.7.	CEILING CASSETTE: RAI-25QPB/35QPB/50QPB	8-8
8.1.8.	DUCT TYPE: RAD-18QPB/25QPB/35QPB	8-9
8.1.9.	DUCT TYPE: RAD-50QPB	8-9
8.2.	MULTIZONE OUTDOOR UNITS	8-10
8.2.1.	2 ROOMS MULTIZONE: RAM-33NP2B	8-10
8.2.2.	2 ROOMS MULTIZONE: RAM-40NP2B	8-11
8.2.3.	2 ROOMS MULTIZONE: RAM-53NP2B	8-12
8.2.4.	3 ROOMS MULTIZONE: RAM-53NP3B	8-13
8.2.5.	3 ROOMS MULTIZONE: RAM-68NP3B	8-14
8.2.6.	4 ROOMS MULTIZONE: RAM-70NP4B	8-15
8.2.7.	5 ROOMS MULTIZONE: RAM-90NP5B	8-16
8.2.8.	6 ROOMS MULTIZONE: RAM-110NP6B	8-17
<b>9</b>	<b>CONTROL AND FUNCTION</b>	<b>9-1</b>
9.1	WIRELESS REMOTE CONTROL FUNCTION	9-2
9.1.1.	RAR-6N1, RAR-6N2, RAR-6N4	9-2
9.2	SHIFT VALUE	9-3
9.3	OPERATION LOCK	9-5
9.4	SETTING THE PREVENTION OF MUTUAL INTERFERENCE	9-6
9.5	INTERMITTENT FAN SPEED SETTING	9-6
9.6	FAN SPEED SETTING IN THERMO OFF IN COOLING	9-7
9.7	ERROR CODE INFORMATION	9-8
9.8	ADDITIONAL FUNCTION VIA DIP-SWITCH SETTINGS	9-10
9.8.1	AUTO RESTART FUNCTION	9-10
9.8.2	HEATING/COOLING ONLY MODE SELECTION	9-10



<b>10</b>	<b>OPTION LIST</b>	<b>10-1</b>
10.1	WIRED REMOTE CONTROL SPX-RCDA AND SPX-RCDB	10-2
10.1.1	SHIFT VALUE	10-3
10.1.2	ERROR CODE INFORMATION	10-4
10.3	WIRELESS REMOTE SPX-RCKA1	10-7
10.4	H-LINK ADAPTOR – PSC 6RAD	10-8
10.4.1	SAFETY SUMMARY	10-8
10.4.2	INSTALLATION WORK	10-8
10.4.3	ELECTRICAL WIRING	10-9
10.4.4	DIP SWITCH SETTING	10-10
10.4.5	TEST RUN	10-11
10.5	DRY CONTACT (SPX-WDC2 AND SPX-WDC3) APPLICATION (USING DIP SWITCH)	10-12
10.6	DISTRIBUTOR – SPX-DST1	10-15
10.7	REMOTE SENSOR - SPX-RTH1	10-16
10.7.1	SELECTION OF INSTALLATION POSITION	10-16
10.7.2	INSTALLATION PROCEDURE	10-16
10.7.3	WIRING PROCEDURES	10-16

# 1 SPECIFICATIONS

## CONTENTS

1	SPECIFICATIONS	1-1
1.1.	MULTIZONE INDOOR	1-2
1.1.1.	WALL TYPE (RAK-18QXB/25RXB/35RXB/50RXB)	1-2
1.1.2.	WALL TYPE (RAK-15QPB/18RPB/25RPB)	1-3
1.1.3.	WALL TYPE (RAK-35RPB/50RPB)	1-4
1.1.4.	FLOOR TYPE (RAF-25RXB/35RXB/50RXB)	1-5
1.1.5.	CEILING CASSETTE (RAI-25QPB/35QPB/50QPB)	1-6
1.1.6.	DUCT TYPE (RAD-18QPB/25QPB/35QPB/50QPB)	1-7
1.1.7.	DUCT STATIC PRESSURE AND AIR FLOW	1-8
1.2.	MULTIZONE OUTDOOR	1-10
1.2.1.	RAM-33NP2B/40NP2B/53NP2B/53NP3B	1-10
1.2.2.	RAM-68NP3B/70NP4B/90NP5B	1-11
1.2.3.	RAM-110NP6B	1-12

## 1.1. MULTIZONE INDOOR

### 1.1.1. WALL TYPE (RAK-18QXB/25RXB/35RXB/50RXB)

INDOOR	Unit	RAK-18QXB	RAK-25RXB	RAK-35RXB	RAK-50RXB
Nominal capacity adjustable		(C) 1.8kW→1.2kW (H) 2.5kW→1.8kW	no	no	no
Nominal Cooling capacity (min - max)	kW	1.8 (1.0 - 2.5)	2.50 (0.90 - 3.10)	3.50 (0.90 - 4.00)	5.00 (1.90 - 5.20)
Cooling sensible capacity	kW	1.8	2.3	3.0	3.7
Nominal Heating capacity (min - max)	kW	2.5 (1.1 - 3.2)	3.20 (0.90 - 4.20)	4.00 (0.90 - 4.80)	5.80 (2.2 - 7.00)
Noise level cooling (sound pressure) (SL / L / M / H)	dB(A)	20/25/30/36	20/26/32/40	22/29/35/42	25/31/39/47
Noise level heating (sound pressure) (SL / L / M / H)	dB(A)	20/26/32/38	20/27/33/40	22/30/35/42	25/31/39/48
Noise level (sound power)	dB(A)	49	55	60	60
Air flow cooling mode (SL / L / M / H)	m <sup>3</sup> /h	300/330/430/500	300/330/510/560	320/340/430/580	350/400/580/720
Air flow heating mode (SL / L / M / H)	m <sup>3</sup> /h	310/360/480/600	290/370/560/610	310/360/480/630	350/420/620/800
Fan Motor	W	30	30	30	30
Dehumidification	l/h	1.2	1.4	1.6	2
Dimensions (H x W x D)	mm	295 x 900 x 210	295 x 900 x 210	295 x 900 x 210	295 x 900 x 210
Weight	kg	11	11	11	11
Colour		White(N9.5)	White (N9.5)	White (N9.5)	White (N9.5)
Condensate Drain	mm	φ16	φ16	φ16	φ16
Running current (C/H)	A	na (Multi Only)	1.09-5.30 / 1.09-5.22	1.09-6.09 / 1.09-6.96	2.17-9.13 / 2.17-11.74
Power supply		230V From OUTDOOR	230V / 1Ph / 50Hz	230V / 1Ph / 50Hz	230V / 1Ph / 50Hz
Cable section (Interconnection)	mm <sup>2</sup>	Refer to Outdoor	1.50 x 3 + EARTH	1.50 x 3 + EARTH	2.50 x 3 + EARTH
Piping diameter (Liq / Gas)	Inch	1/4" / 3/8"	1/4" / 3/8"	1/4" / 3/8"	1/4" / 1/2"
Drain diameter (ext)	mm	φ16	φ16	φ16	φ16
Remote control (standard/optional)		RAR-6N1/ SPX-RCDB	RAR-6N1/ SPX-RCDB	RAR-6N1/ SPX-RCDB	RAR-6N1/ SPX-RCDB
<b>Filter</b>					
ACL Filter		Wasabi	Wasabi	Wasabi	Wasabi
ACL part name		SPX-CFH22	SPX-CFH22	SPX-CFH22	SPX-CFH22
Pre-filter (Standard / Optional)		Stainless/-	Stainless/-	Stainless/-	Stainless/-

#### NOTE:

1. The nominal cooling and heating capacity is the combined capacity of the HITACHI standard split system, and are based on the ISO 5151.

2. The Sound Pressure Level is based on the following conditions:

- 0.8 meter beneath indoor height center
- 1 meter from Discharge grille

The above data was measured in an anechoic chamber. Please take into consideration reflected sound of your specific site

Operation Conditions		Cooling	Heating
Indoor Air Inlet Temperature	dB	27.0 °C	20.0 °C
	WB	19.0 °C	
Outdoor Air Inlet Temperature	dB	35.0 °C	7.0 °C
	WB		6.0 °C

**Piping Length:** 5.0 meters; **Piping Lift:** 0 meter  
**dB:** Dry Bulb; **WB:** Wet Bulb

## 1.1.2. WALL TYPE (RAK-15QPB/18RPB/25RPB)

INDOOR	Unit	RAK-15QPB	RAK-18RPB	RAK-25RPB
Nominal capacity adjustable		(C)1.5kW→1.0kW (H)2.0kW →1.5kW	no	no
Nominal Cooling capacity (min - max)	kW	1.50 (0.90 - 2.00)	2.00 (0.90 - 2.50)	2.50 (0.90 - 3.10)
Cooling sensible capacity	kW	1.6	1.9	2.2
Nominal Heating capacity (min - max)	kW	2.00 (1.00 - 2.50)	2.50 (0.90 - 3.20)	3.40 (0.90 - 4.40)
Noise level cooling (sound pressure) (SL / L / M / H)	dB(A)	20/24/30/34	21/24/33/37	22/24/33/40
Noise level heating (sound pressure) (SL / L / M / H)	dB(A)	20/24/32/35	19/22/33/38	20/23/34/ 41
Noise level (sound power)	dB(A)	47	51	54
Air flow cooling mode (SL / L / M / H)	m <sup>3</sup> /h	312 / 350 / 400 / 420	312 / 350 / 400 / 440	333 / 370 / 430 / 510
Air flow heating mode (SL / L / M / H)	m <sup>3</sup> /h	312 / 350 / 420 / 480	312 / 350 / 420 / 480	333 / 400 / 500 / 570
Fan Motor	W	30	30	30
Dehumidification	l/h	1.2	1.2	1.4
Dimensions (H x W x D)	mm	280 x 780 x 218	280 x 780 x 218	280 x 780 x 218
Weight	kg	7.5	7.5	7.5
Colour		White (N9.5)	White (N9.5)	White (N9.5)
Condensate Drain	mm	φ16	φ16	φ16
Running current (C/H)	A	na (Multi Only)	1.09-4.39 / 1.09-4.22	1.09-5.61 / 1.09-5.43
Power supply		230V From OUTDOOR	230V / 1Ph / 50Hz	230V / 1Ph / 50Hz
Cable section (Interconnection)	mm <sup>2</sup>	Refer to Outdoor	1.50 x 3 + EARTH	1.50 x 3 + EARTH
Piping diameter (Liq / Gas)	Inch	1/4" / 3/8"	1/4" / 3/8"	1/4" / 3/8"
Drain diameter (ext)	mm	φ16	φ16	φ16
Remote control (standard/optional)		RAR-6N2/ SPX-RCDB	RAR-6N2/ SPX-RCDB	RAR-6N2/ SPX-RCDB
<b>Filter</b>				
ACL Filter		Wasabi	Wasabi	Wasabi
ACL part name		SPX-CFH22	SPX-CFH22	SPX-CFH22
Pre-filter (Standard / Optional)		Washable/ Stainless-SPX-SPF6	Washable/ Stainless-SPX-SPF6	Washable/ Stainless-SPX-SPF6

**NOTE:**

1. The nominal cooling and heating capacity is the combined capacity of the HITACHI standard split system, and are based on the ISO 5151.

Operation Conditions		Cooling	Heating
Indoor Air Inlet Temperature	dB	27.0 °C	20.0 °C
	WB	19.0 °C	
Outdoor Air Inlet Temperature	dB	35.0 °C	7.0 °C
	WB		6.0 °C

**Piping Length:** 5.0 meters; **Piping Lift:** 0 meter  
**dB:** Dry Bulb; **WB:** Wet Bulb

2. The Sound Pressure Level is based on the following conditions:

- 0.8 meter beneath indoor height center
- 1 meter from Discharge grille

The above data was measured in an anechoic chamber so that reflected sound should be taken into consideration when installing the unit.

## 1.1.3. WALL TYPE (RAK-35RPB/50RPB)

INDOOR	Unit	RAK-35RPB	RAK-50RPB
Nominal capacity adjustable		no	no
Nominal Cooling capacity (min - max)	kW	3.50 (0.90 - 4.00)	5.00 (1.90 - 5.20)
Cooling sensible capacity	kW	2.7	3.8
Nominal Heating capacity (min - max)	kW	4.20 (0.90 - 5.00)	6.00 (2.2 - 7.30)
Noise level cooling (sound pressure) (SL / L / M / H)	dB(A)	25/26/36/43	25/28/39/46
Noise level heating (sound pressure) (SL / L / M / H)	dB(A)	26/27/36/44	27/31/39/46
Noise level (sound power)	dB(A)	57	60
Air flow cooling mode (SL / L / M / H)	m <sup>3</sup> /h	353 / 420 / 485 / 680	353 / 410 / 540 / 750
Air flow heating mode (SL / L / M / H)	m <sup>3</sup> /h	363 / 480 / 570 / 780	380 / 500 / 610 / 820
Fan Motor	W	30	30
Dehumidification	l/h	1.6	2
Dimensions (H x W x D)	mm	295 x 900 x 230	295 x 900 x 230
Weight	kg	10	10
Colour		White (N9.5)	White (N9.5)
Condensate Drain	mm	φ16	φ16
Running current (C/H)	A	1.09-6.35 / 1.09-7.39	2.17-9.13 / 2.17-11.96
Power supply		230V / 1Ph / 50Hz	230V / 1Ph / 50Hz
Cable section (Interconnection)	mm <sup>2</sup>	1.50 x 3 + EARTH	2.50 x 3 + EARTH
Piping diameter (Liq / Gas)	Inch	1/4" / 3/8"	1/4" / 1/2"
Drain diameter (ext)	mm	φ16	φ16
Remote control (standard/optional)		RAR-6N1/ SPX-RCDB	RAR-6N1/ SPX-RCDB
<b>Filter</b>			
ACL Filter		Wasabi	Wasabi
ACL part name		SPX-CFH22	SPX-CFH22
Pre-filter (Standard / Optional)		Washable/ Stainless-SPX-SPF7	Washable/ Stainless-SPX-SPF7

**NOTE:**

1. The nominal cooling and heating capacity is the combined capacity of the HITACHI standard split system, and are based on the ISO 5151.

Operation Conditions		Cooling	Heating
Indoor Air Inlet Temperature	dB	27.0 °C	20.0 °C
	WB	19.0 °C	
Outdoor Air Inlet Temperature	dB	35.0 °C	7.0 °C
	WB		6.0 °C

**Piping Length:** 5.0 meters; **Piping Lift:** 0 meter  
**dB:** Dry Bulb; **WB:** Wet Bulb

2. The Sound Pressure Level is based on the following conditions:

- 0.8 meter beneath indoor height center
- 1 meter from Discharge grille

The above data was measured in an anechoic chamber so that reflected sound should be taken into consideration when installing the unit.

## 1.1.4. FLOOR TYPE (RAF-25RXB/35RXB/50RXB)

INDOOR	Unit	RAF-25RXB	RAF-35RXB	RAF-50RXB
Nominal capacity adjustable		no	no	no
Nominal Cooling capacity (min – max)	kW	2.50 (0.90 - 3.10)	3.5 (0.9 - 4.0)	5.0 (0.9 - 5.2)
Cooling sensible capacity	kW	2.5	2.9	3.8
Nominal Heating capacity (min – max)	kW	3.40 (0.90 - 4.40)	4.5 (0.9 - 5.0)	6.0 (0.9 - 8.1)
Noise level cooling (sound pressure) (SL / L / M / H)	dB(A)	20/26/31/38	20/26/31/39	22/29/36/43
Noise level heating (sound pressure) (SL / L / M / H)	dB(A)	20/26/31/38	20/26/31/39	22/29/36/44
Noise level (sound power)	dB(A)	55	56	59
Air flow cooling mode (SL / L / M / H)	m <sup>3</sup> /h	270/390/510/630	270/390/510/660	300/450/540/720
Air flow heating mode (SL / L / M / H)	m <sup>3</sup> /h	300/420/540/660	300/420/540/690	330/480/570/750
Fan Motor	W	38	38	38
Dehumidification	l/h	1.4	1.9	2.8
Dimensions (H x W x D)	mm	590 x 750 x 215	590 x 750 x 215	590 x 750 x 215
Weight	kg	15	15	15
Colour		ShadowWhite (5PB8.7/0.5)	ShadowWhite (5PB8.7/0.5)	ShadowWhite (5PB8.7/0.5)
Condensate Drain	mm	φ16	φ16	φ16
Running current (C/H)	A	0.67-5.13 / 0.50-4.87	0.67-6.0 / 0.50-5.87	2.17-9.13 / 2.17-11.74
Power supply		230V / 1Ph / 50Hz	230V / 1Ph / 50Hz	230V / 1Ph / 50Hz
Cable section	mm <sup>2</sup>	1.50 x 3 + EARTH	1.50 x 3 + EARTH	2.50 x 3 + EARTH
Piping diameter (Liq / Gas)		1/4" / 3/8"	1/4" / 3/8"	1/4" / 1/2"
Drain diameter (ext)	mm	φ16	φ16	φ16
Remote control (standard/optional)		RAR-6N4/ SPX-RCDB	RAR-6N4/ SPX-RCDB	RAR-6N4/ SPX-RCDB
<b>Filter</b>				
ACL Filter		Nano Titanium	Nano Titanium	Nano Titanium
ACL part name		SPX-CFH15	SPX-CFH15	SPX-CFH15
Pre-filter (Standard / Optional)		Stainless/-	Stainless/-	Stainless/-

**NOTE:**

1. The nominal cooling and heating capacity is the combined capacity of the HITACHI standard split system, and are based on the ISO 5151.

Operation Conditions		Cooling	Heating
Indoor Air Inlet Temperature	dB	27.0 °C	20.0 °C
	WB	19.0 °C	
Outdoor Air Inlet Temperature	dB	35.0 °C	7.0 °C
	WB		6.0 °C
<b>Piping Length:</b> 5.0 meters; <b>Piping Lift:</b> 0 meter			
<b>dB:</b> Dry Bulb; <b>WB:</b> Wet Bulb			

2. The Sound Pressure Level is based on the following conditions:

- Half height of the unit
- 1 meter from Discharge grille

The above data was measured in an anechoic chamber. Please take into consideration reflected sound of your specific site

## 1.1.5. CEILING CASSETTE (RAI-25QPB/35QPB/50QPB)

INDOOR	Unit	RAI-25QPB	RAI-35QPB	RAI-50QPB	RAI-ECPP
Nominal capacity adjustable		no	no	no	
Nominal Cooling capacity (min - max)	kW	2.5 (0.9-3.0)	3.5 (0.9-4.0)	5.0 (0.9-5.2)	
Cooling sensible capacity	kW	2.0	2.9	3.8	
Nominal Heating capacity (min - max)	kW	3.5 (0.9-5.0)	4.8 (0.9-6.6)	6.2 (0.9-7.6)	
Noise level cooling (sound pressure) (SL / L / M / H)	dB(A)	28/31/34/37	30/34/38/42	32/36/40/44	
Noise level heating (sound pressure) (SL / L / M / H)	dB(A)	29/32/35/38	30/35/39/43	32/36/40/44	
Noise level (sound power)	dB(A)	50	58	58	
Air flow cooling mode (SL / L / M / H)	m <sup>3</sup> /h	330/360/420/510	390/420/510/650	390/450/510/720	
Air flow heating mode (SL / L / M / H)	m <sup>3</sup> /h	390/420/480/550	450/480/510/660	450/510/540/720	
Fan Motor	W	19	19	19	
Drain pump pressure lift	cm	11.5	11.5	11.5	
Dehumidification	l/h	1.4	1.8	2.0	
Included drain pump	yes/no	yes	yes	yes	
Max. height available for drain pump (RAD/RAI only)	cm	30.4	30.4	30.4	
Dimensions (H x W x D)	mm	285x580x580	285x580x580	285x580x580	32x650x650
Panel dimensions (H x W x D)	mm	32x650x650	32x650x650	32x650x650	
Weight	kg	20.0	20.0	20.0	
Colour		Pure White (N9.25)	Pure White (N9.25)	Pure White (N9.25)	RAL 9010
Condensate Drain	mm	-	-	-	
Panel weight	kg	4	4	4	
Panel reference		RAI-ECPP	RAI-ECPP	RAI-ECPP	
Color of the panel (RAL)		RAL 9010	RAL 9010	RAL 9010	
Running current (C/H)	A	na (Multi Only)	na (Multi Only)	na (Multi Only)	
Power supply		230V From OUTDOOR	230V From OUTDOOR	230V From OUTDOOR	
Cable section	mm <sup>2</sup>	Refer to Outdoor	Refer to Outdoor	Refer to Outdoor	
Piping diameter (Liq / Gas)	Inch	1/4" / 3/8"	1/4" / 3/8"	1/4" / 1/2"	
Drain diameter (ext)	mm	φ16	φ16	φ16	
Remote control (standard/optional)		RAR-6N2/ SPX-RCDB	RAR-6N2/ SPX-RCDB	RAR-6N2/ SPX-RCDB	
<b>Filter</b>					
ACL Filter		Wasabi	Wasabi	Wasabi	
ACL part name		SPX-NTW1	SPX-NTW1	SPX-NTW1	
Pre-filter (Standard / Optional)		Washable/-	Washable/-	Washable/-	

**NOTE:**

1. The nominal cooling and heating capacity is the combined capacity of the HITACHI standard split system, and are based on the ISO 5151.

2. The Sound Pressure Level is based on the following conditions:

- 0.8 meter beneath indoor height center
- 1.5 meter from Discharge grille

The above data was measured in an anechoic chamber so that reflected sound should be taken into consideration when installing the unit.

Operation Conditions		Cooling	Heating
Indoor Air Inlet Temperature	dB	27.0 °C	20.0 °C
	WB	19.0 °C	
Outdoor Air Inlet Temperature	dB	35.0 °C	7.0 °C
	WB		6.0 °C
<b>Piping Length:</b> 5.0 meters; <b>Piping Lift:</b> 0 meter <b>dB:</b> Dry Bulb; <b>WB:</b> Wet Bulb			

## 1.1.6. DUCT TYPE (RAD-18QPB/25QPB/35QPB/50QPB)

INDOOR	Unit	RAD-18QPB	RAD-25QPB	RAD-35QPB	RAD-50QPB
Nominal capacity adjustable		no	no	no	no
Nominal Cooling capacity (min - max)	kW	1.8 (0.9-2.5)	2.5 (0.9-3.0)	3.5 (0.9-4.0)	5.0 (0.9-5.6)
Cooling sensible capacity	kW	-	2.0	2.5	3.8
Nominal Heating capacity (min - max)	kW	2.5 (0.9~3.2)	3.5 (0.9-5.5)	4.8 (0.9-6.6)	6.0 (0.9-7.5)
Noise level cooling (sound pressure) (SL / L / M / H)	dB(A)	30/33/37/41	30/33/37/41	30/33/37/41	31/35/39/43
Noise level heating (sound pressure) (SL / L / M / H)	dB(A)	30/34/38/42	30/34/38/42	30/34/38/42	32/35/39/43
Noise level (sound power)	dB(A)	57	57	57	58
Air flow cooling mode (SL / L / M / H)	m <sup>3</sup> /h	400/480/560/600	400/480/560/600	400/480/570/660	400/480/570/660
Air flow heating mode (SL / L / M / H)	m <sup>3</sup> /h	450/520/590/650	450/520/590/650	440/510/600/720	440/510/600/720
Fan Motor	W	20	20	20	20
Drain pump pressure lift	cm	15	15	15	15
Static pressure switch at High (L / M / H) *for RAD	Pa (m <sup>3</sup> /h)	C [42(242)/49(274)/51(291)] H[46(266)/52(293)/57(314)]	C [42(242)/49(274)/51(291)] H[46(266)/52(293)/57(314)]	C [44(243)/50(279)/58(323)] H[51(259)/58(289)/69(340)]	C [44(243)/50(279)/58(323)] H[51(259)/58(289)/69(340)]
Dehumidification	l/h	1.4	1.4	1.6	2.8
Included drain pump	yes/no	yes	yes	yes	yes
Max. height available for drain pump (RAD/RAI only)	cm	30	30	30	30
Dimensions (H x W x D)	mm	235x750x400	235x750x400	235x750x400	235x750x400
Weight	kg	16.0	16.0	16.0	16.0
Colour		-	-	-	-
Condensate Drain	mm	-	-	-	-
Running current (C/H)	A	na (Multi Only)	na (Multi Only)	na (Multi Only)	na (Multi Only)
Power supply		230V From OUTDOOR	230V From OUTDOOR	230V From OUTDOOR	230V From OUTDOOR
Cable section	mm <sup>2</sup>	Refer to Outdoor	Refer to Outdoor	Refer to Outdoor	Refer to Outdoor
Piping diameter (Liq / Gas)	Inch	1/4" / 3/8"	1/4" / 3/8"	1/4" / 3/8"	1/4" / 1/2"
Drain diameter (ext)	mm	φ16	φ16	φ16	φ16
Remote control (optional only)		SPX-RCDA or SPX-RCKA1	SPX-RCDA or SPX-RCKA1	SPX-RCDA or SPX-RCKA1	SPX-RCDA or SPX-RCKA1
<b>Filter</b>					
ACL Filter		-	-	-	-
ACL part name		-	-	-	-
Pre-filter (Standard / Optional)		Washable/-	Washable/-	Washable/-	Washable/-

**NOTE:**

1. The nominal cooling and heating capacity is the combined capacity of the HITACHI standard split system, and are based on the ISO 5151.

Operation Conditions		Cooling	Heating
Indoor Air Inlet Temperature	dB	27.0 °C	20.0 °C
	WB	19.0 °C	
Outdoor Air Inlet Temperature	dB	35.0 °C	7.0 °C
	WB		6.0 °C

**Piping Length:** 5.0 meters; **Piping Lift:** 0 meter  
**dB:** Dry Bulb; **WB:** Wet Bulb

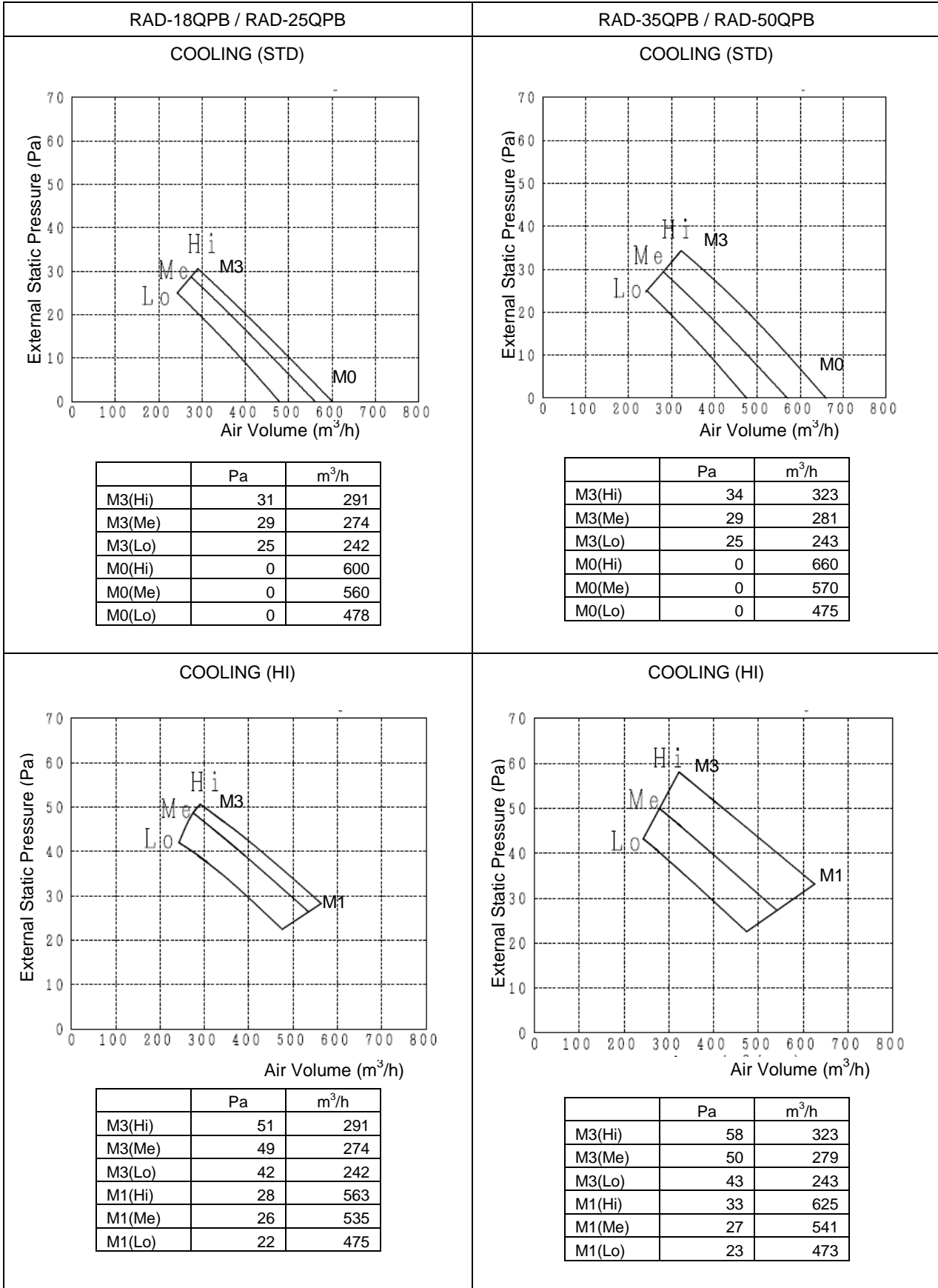
2. The Sound Pressure Level is based on the following conditions:

- 0.8 meter beneath indoor height center
- 1.5 meter from Discharge grille

The above data was measured in an anechoic chamber. Please take into consideration reflected sound of your specific site



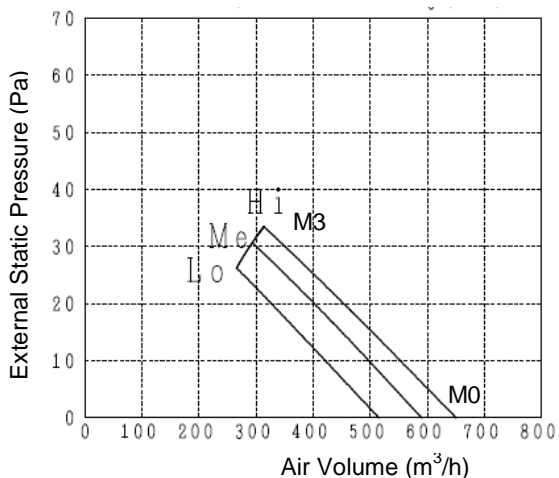
1.1.7. DUCT STATIC PRESSURE AND AIR FLOW



M3: In case duct is 4m  
 M1: Fitted with accessories  
 M0: For non duct type

RAD-18QPB / RAD-25QPB

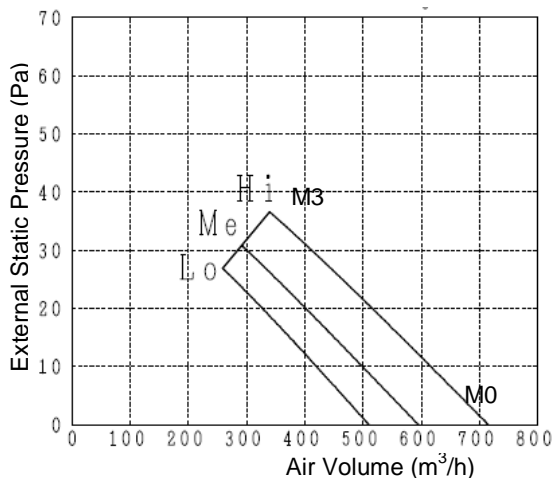
HEATING (STD)



	Pa	m <sup>3</sup> /h
M3(Hi)	33	314
M3(Me)	31	293
M3(Lo)	26	266
M0(Hi)	0	650
M0(Me)	0	590
M0(Lo)	0	515

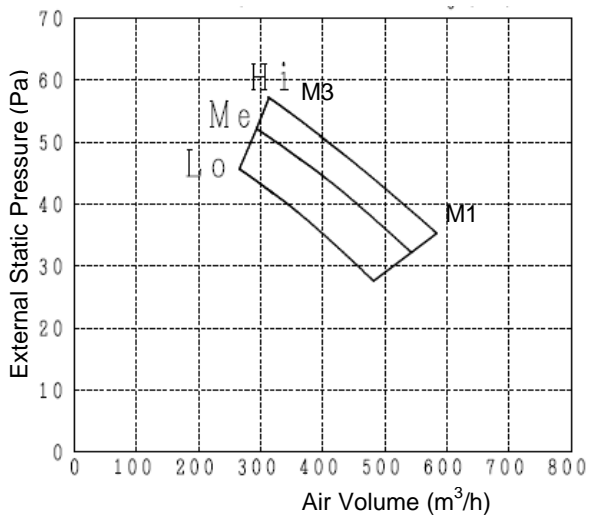
RAD-35QPB / RAD-50QPB

HEATING (STD)



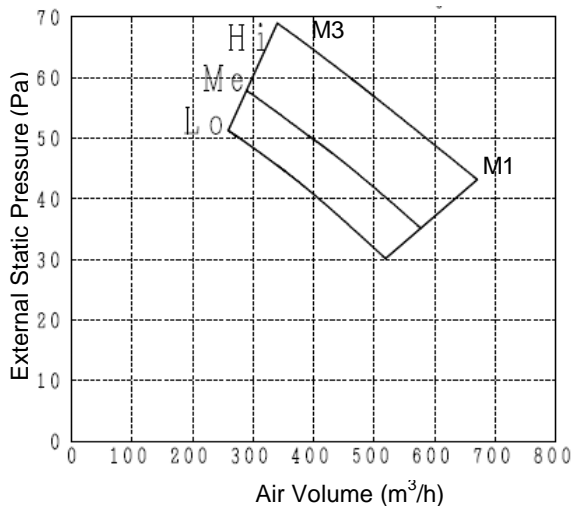
	Pa	m <sup>3</sup> /h
M3(Hi)	37	340
M3(Me)	31	291
M3(Lo)	27	259
M0(Hi)	0	715
M0(Me)	0	595
M0(Lo)	0	510

HEATING (HI)



	Pa	m <sup>3</sup> /h
M3(Hi)	57	314
M3(Me)	52	293
M3(Lo)	46	266
M1(Hi)	35	584
M1(Me)	32	543
M1(Lo)	28	482

HEATING (HI)



	Pa	m <sup>3</sup> /h
M3(Hi)	69	340
M3(Me)	58	289
M3(Lo)	51	259
M1(Hi)	43	670
M1(Me)	35	576
M1(Lo)	30	518

M3: In case duct is 4m  
 M1: Fitted with accessories  
 M0: For non duct type

## 1.2. MULTIZONE OUTDOOR

### 1.2.1. RAM-33NP2B/40NP2B/53NP2B/53NP3B

OUTDOOR	UNIT	RAM-33NP2B	RAM-40NP2B	RAM-53NP2B	RAM-53NP3B	
Minimum / Maximum indoor units connectable		2	2	2	2 / 3	
Minimum / Maximum connected capacity		3.0kW / 5.0kW	3.0kW / 6.0kW	3.0kW / 8.5kW	3.0kW / 8.8kW	
Nominal Cooling capacity (min - max)	kW	3.3 (1.5 - 3.8)	4.0 (1.5 - 4.2)	5.3 (1.5 - 6.6)	5.3 (1.5 - 6.6)	
Nominal Heating capacity (min - max)	kW	4.0 (1.5 - 4.6)	5.2 (1.5 - 5.5)	6.8 (1.5 - 7.2)	6.8 (1.5 - 7.2)	
Nominal cooling power input (min - max)	kW	0.80 (0.20 - 1.05)	1.05 (0.20 - 1.15)	1.55 (0.20 - 1.66)	1.55 (0.20 - 1.68)	
Nominal heating power input (min - max)	kW	0.92 (0.20 - 1.50)	1.21 (0.20 - 1.50)	1.79 (0.20 - 2.01)	1.62 (0.20 - 1.86)	
EER / COP		4.13/4.35	3.81/4.30	3.42/3.80	3.42/4.20	
SEER / SCOP		6.30/4.30	7.00/4.33	7.15/4.31	7.15/4.31	
Energy class (SEER/SCOP)		A++/A+	A++/A+	A++/A+	A++/A+	
Noise level cooling (sound pressure)	dB(A)	48	49	50	50	
Noise level heating (sound pressure)	dB(A)	50	51	51	51	
Noise level (sound power)	dB(A)	61	62	62	62	
Air flow (Cooling / Heating)	m <sup>3</sup> /h	1620/1620	1620/1620	2160/2160	2160/2160	
Dimensions (H x W x D)	mm	570 x 750 x 280	570 x 750 x 280	750 x 850 x 298	750 x 850 x 298	
Weight	kg	38	41	53	53	
Colour		Beige (5Y7/2)	Beige (5Y7/2)	Beige (5Y7/2)	Beige (5Y7/2)	
Power supply		220-240V/1ph/ 50/60Hz	220-240V/1ph/ 50/60Hz	220-240V/1ph/ 50/60Hz	220-240V/1ph/ 50/60Hz	
Recommended fuse size	A	16	16	20	20	
Starting current (C/H)	A	8	8	8	8	
Running current (C/H)	A	3.70-3.40 / 4.20-3.90	4.80-4.40 / 5.60-5.10	7.00-6.40 / 8.20-7.50	7.12-6.52 / 7.44-6.82	
Cable section (Power)	mm <sup>2</sup>	2.50 x 2 + EARTH	2.50 x 2 + EARTH	2.50 x 2 + EARTH	2.50 x 2 + EARTH	
Cable section (Interconnection)	mm <sup>2</sup>	1.50 x 3 + EARTH	1.50 x 3 + EARTH	1.50 x 3 + EARTH	1.50 x 3 + EARTH	
Piping diameter (Liq / Gas)	Inch	1/4" x 2 / 3/8" x 2	1/4" x 2 / 3/8" x 2	1/4" x 2 / 3/8" x 2	1/4" x 3 / 3/8" x 3	
Minimum piping length	m	3	3	3	3	
Maximum piping length / height difference	m	20 / 10	35 / 20	35 / 20	45 / 20	
Current quantity of refrigerant / Chargeless	kg	1.03	1.45	1.90	1.90	
Chargeless / Additional refrigerant charge	m / g/m	20/-	35/-	35/-	35/20	
Working range (cooling / heating)	°C	-10 ~ 43 / -15 ~ 21	-10 ~ 43 / -15 ~ 21	-10 ~ 43 / -15 ~ 21	-10 ~ 43 / -15 ~ 21	
Refrigerant		R410A	R410A	R410A	R410A	
Condenser Fan			Propeller Fan			
Compressor	Type		ROTARY	2 Cylinder Rotary	2 Cylinder Rotary	2 Cylinder Rotary
	Oil Type		α68HES - H or equivalent	α68HES - H or equivalent	α68HES - H or equivalent	α68HES - H or equivalent
	Oil Charge	ml	290ml±5	450ml±5	580ml±5	580ml±5
	Coil Resistance	Ω	2.089Ω ±7% at 75°C	2.149Ω ±7% at 75°C	1.579Ω ±7% at 75°C	1.579Ω ±7% at 75°C
	Quantity		1	1	1	1

#### NOTE:

1. The Sound Pressure Level is based on the following conditions:

- 1 meter from the unit front surface and 1 meter from floor level

The above data was measured in an anechoic chamber. Please take into consideration reflected sound of your specific site

## 1.2.2. RAM-68NP3B/70NP4B/90NP5B

OUTDOOR		UNIT	RAM-68NP3B	RAM-70NP4B	RAM-90NP5B
Minimum / Maximum indoor units connectable			2 / 3	2 / 4	2 / 5
Minimum / Maximum connected capacity			3.0kW / 11.0kW	3.0kW / 11.0kW	3.0kW / 15.5kW
Nominal Cooling capacity (min - max)		kW	6.8 (2.40 - 8.00)	7.0 (2.4 - 8.8)	8.5 (1.52 - 9.5)
Nominal Heating capacity (min - max)		kW	8.5 (2.4 - 9.5)	8.5 (2.6 - 9.5)	11.0 (1.5 - 11.5)
Nominal cooling power input (min - max)		kW	2.08 (0.46 - 2.96)	2.11 (0.46 - 3.20)	2.23 (0.20 - 3.85)
Nominal heating power input (min - max)		kW	2.28 (0.43 - 2.60)	2.11 (0.48 - 3.12)	2.46 (0.20 - 3.85)
EER / COP			3.27/3.73	3.32/4.03	3.81/4.47
SEER / SCOP			6.60/4.20	6.30/4.20	6.50/4.20
Energy class (SEER/SCOP)			A++/A+	A++/A+	A++/A+
Noise level cooling (sound pressure)		dB(A)	50	50	53
Noise level heating (sound pressure)		dB(A)	53	53	56
Noise level (sound power)		dB(A)	63	63	66
Air flow (Cooling / Heating)		m <sup>3</sup> /h	2700/2700	2700/2700	3900/3900
Dimensions (H x W x D)		mm	800x850x298	800x850x298	800x950x370
Weight		kg	58	58	71
Colour			Beige (5Y7/2)	Beige (5Y7/2)	Beige (5Y7/2)
Power supply			220-240V/1ph/ 50/60Hz	220-240V/1ph/ 50/60Hz	220-240V/1ph/ 50/60Hz
Recommended fuse size		A	20	20	25
Starting current (C/H)		A	9	9	8
Running current (C/H)		A	9.55-8.75 / 10.50-9.60	9.70-8.90 / 9.70-8.90	10.20-9.40 / 11.30-10.40
Cable section (Power)		mm <sup>2</sup>	2.50 x 2 + EARTH	2.50 x 2 + EARTH	2.50 x 2 + EARTH
Cable section (Interconnection)		mm <sup>2</sup>	1.50 x 3 + EARTH	1.50 x 3 + EARTH	1.50 x 3 + EARTH
Piping diameter (Liq / Gas)		Inch	1/4" x 3 / 3/8" x 3	1/4" x 4 / (3/8" x 3) + (1/2" x 1)	1/4" x 5 / (3/8" x 3) + (1/2" x 2)
Minimum piping length		m	3	3	3
Maximum piping length / height difference		m	60 / 20	60 / 20	75 / 20
Current quantity of refrigerant / Chargeless		kg	2.3	2.3	2.7
Chargeless / Additional refrigerant charge		m / g/m	30/20	30/20	30/15
Working range (cooling / heating)		°C	-10 ~ 43 / -15 ~ 21	-10 ~ 43 / -15 ~ 21	-10 ~ 43 / -15 ~ 21
Refrigerant			R410A	R410A	R410A
Condenser Fan			Propeller Fan		
Compressor	Type		2 Cylinder Rotary	2 Cylinder Rotary	2 Cylinder Rotary
	Oil Type		α68HES - H or equivalent	α68HES - H or equivalent	α68HES - H or equivalent
	Oil Charge	ml	840ml±5	840ml±5	1000ml±5
	Coil Resistance	Ω	U-V 1.265Ω ±7% at 75°C V-W 1.248Ω ±7% at 75°C W-U 1.282Ω ±7% at 75°C	U-V 1.265Ω ±7% at 75°C V-W 1.248Ω ±7% at 75°C W-U 1.282Ω ±7% at 75°C	0.448Ω at 75°C
	Quantity		1	1	1

**NOTE:**

1. The Sound Pressure Level is based on the following conditions:

- 1 meter from the unit front surface and 1 meter from floor level

The above data was measured in an anechoic chamber. Please take into consideration reflected sound of your specific site

## 1.2.3. RAM-110NP6B

OUTDOOR		UNIT	RAM-110NP6B
Minimum / Maximum indoor units connectable			2 / 3 (units per ref cycle)
Minimum / Maximum connected capacity			6.0kW / 17.6kW
Nominal Cooling capacity (min - max)		kW	10.6 (1.5-13.2)
Nominal Heating capacity (min - max)		kW	13.6 (1.5-14.4)
Nominal cooling power input (min - max)		kW	3.20 (0.20-3.50)
Nominal heating power input (min - max)		kW	3.60 (0.40-3.72)
EER / COP			3.31/3.78
SEER / SCOP			6.30/4.20
Energy class (SEER/SCOP)			A++/A+
Noise level cooling (sound pressure)		dB(A)	55
Noise level heating (sound pressure)		dB(A)	56
Noise level (sound power)		dB(A)	68
Air flow (Cooling / Heating)		m <sup>3</sup> /h	4320
Dimensions (H x W x D)		mm	1450x855x308
Weight		kg	113
Colour			Beige (5Y7/2)
Power supply			220-240V / 1ph / 50/60Hz
Recommended fuse size		A	25
Starting current (C/H)		A	8
Running current (C/H)		A	(14.70-13.5/16.5-15.2)
Cable section (Power)		mm <sup>2</sup>	2.50x 2+EARTH
Cable section (Interconnection)		mm <sup>2</sup>	1.50x 3+EARTH
Piping diameter (Liq / Gas)		Inch	( 1/4" x 3 / 3/8" x 3 ) x 2
Minimum piping length		m	3
Maximum piping length / height difference		m	45/20 per cycle
Current quantity of refrigerant / Chargeless		kg	1.65 per cycle
Chargeless / Additional refrigerant charge		m / g/m	35/20
Working range (cooling / heating)		°C	-10 ~ 43 / -15 ~ 21
Refrigerant			R410A
Condenser Fan			Propeller Fan
Compressor	Type		2 Cylinder Rotary
	Oil Type		α68HES - H or equivalent
	Oil Charge	ml	580ml±5
	Coil Resistance	Ω	1.579 Ω ±7% at 75° C
	Quantity		2

**NOTE:**

- The Sound Pressure Level is based on the following conditions:
  - 1 meter from the unit front surface and 1 meter from floor level

The above data was measured in an anechoic chamber. Please take into consideration reflected sound of your specific site

## 2 DIMENSIONAL DATA

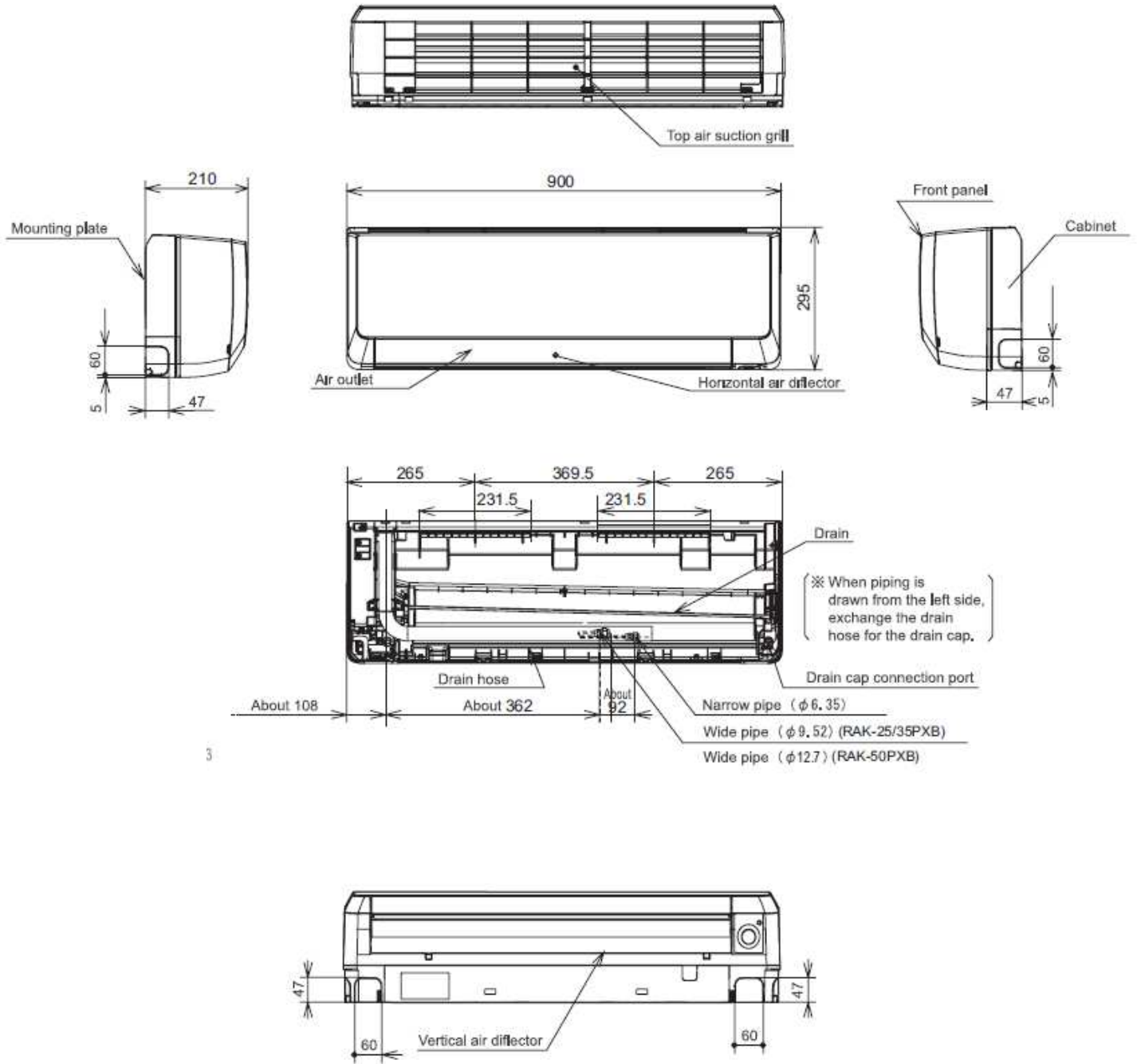
### CONTENTS

2	DIMENSIONAL DATA	2-1
2.1.	MULTIZONE INDOOR UNITS	2-2
2.1.1.	WALL TYPE: RAK-18QXB/25RXB/35RXB/50RXB	2-2
2.1.2.	WALL TYPE: RAK-15QPB/18RPB/25RPB	2-3
2.1.3.	WALL TYPE: RAK-35RPB/50RPB	2-4
2.1.4.	FLOOR TYPE: RAF-25RXB/35RXB/50RXB	2-5
2.1.5.	CEILING CASSETTE TYPE: RAI-25QPB/35QPB/50QPB/ECPP	2-6
2.1.6.	DUCT TYPE: RAD-18QPB/25QPB/35QPB/50QPB	2-7
2.2.	MULTIZONE OUTDOOR UNITS	2-8
2.2.1.	2 ROOMS MULTIZONE: RAM-33NP2B/RAM-40NP2B	2-8
2.2.2.	2 ROOMS MULTIZONE: RAM-53NP2B	2-9
2.2.3.	3 ROOMS MULTIZONE: RAM-53NP3B	2-10
2.2.4.	3 ROOMS MULTIZONE: RAM-63NP3B	2-11
2.2.5.	4 ROOMS MULTIZONE: RAM-70NP4B	2-12
2.2.6.	5 ROOMS MULTIZONE: RAM-90NP5B	2-13
2.2.1.	6 ROOMS MULTIZONE: RAM-110NP6B	2-14

2.1. MULTIZONE INDOOR UNITS

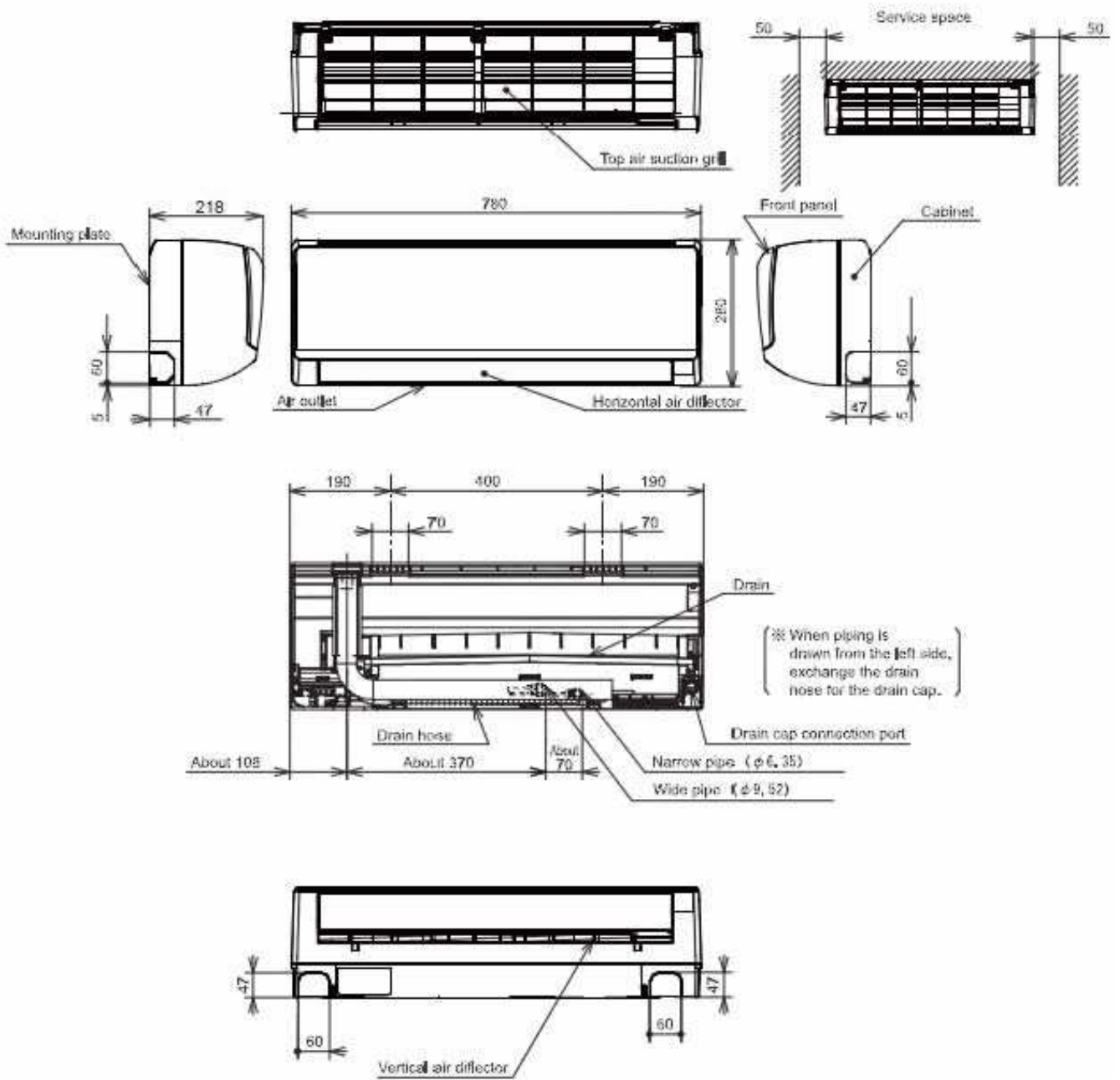
2.1.1. WALL TYPE: RAK-18QXB/25RXB/35RXB/50RXB

Unit : mm



2.1.2. WALL TYPE: RAK-15QPB/18RPB/25RPB

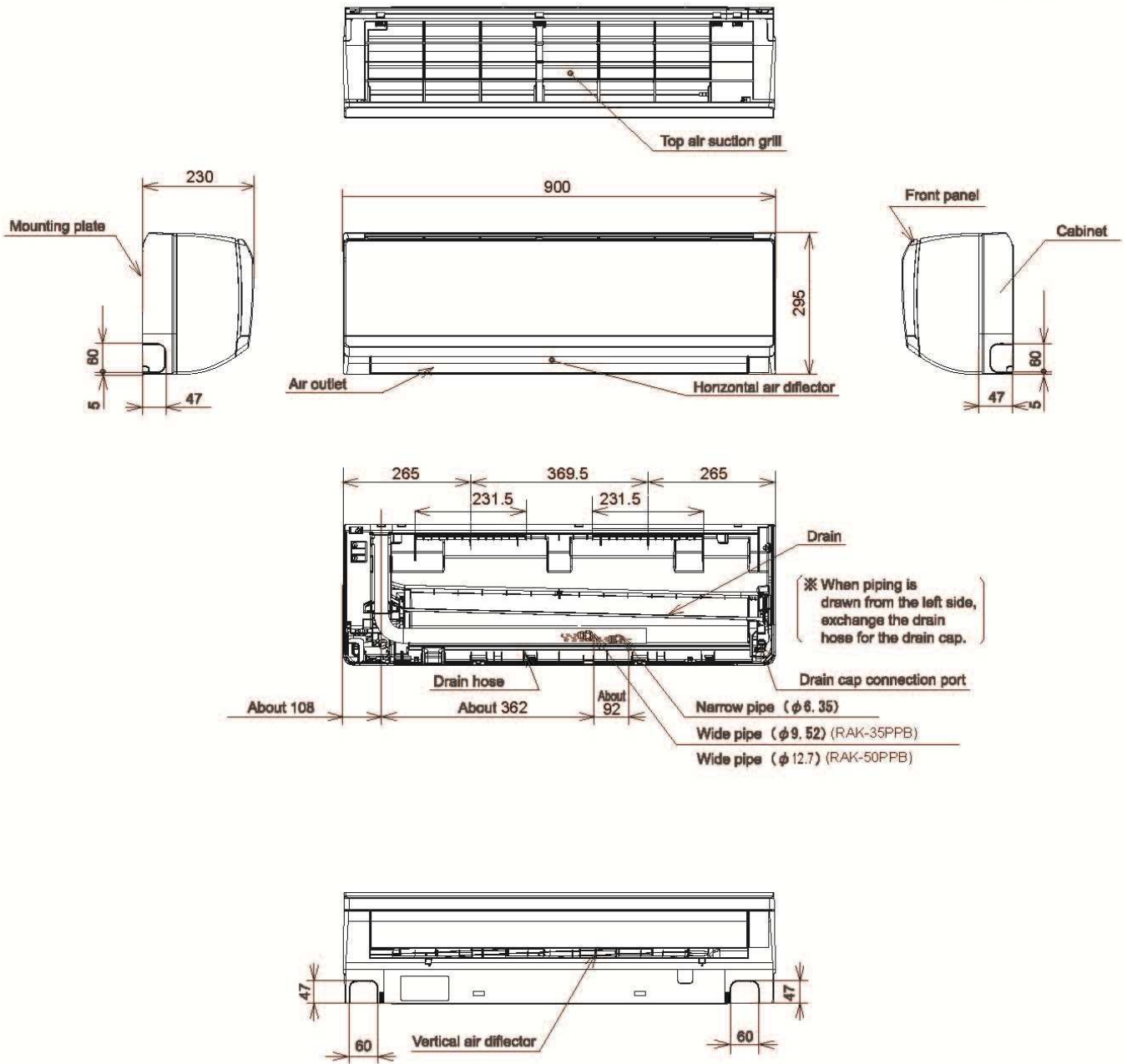
Unit : mm





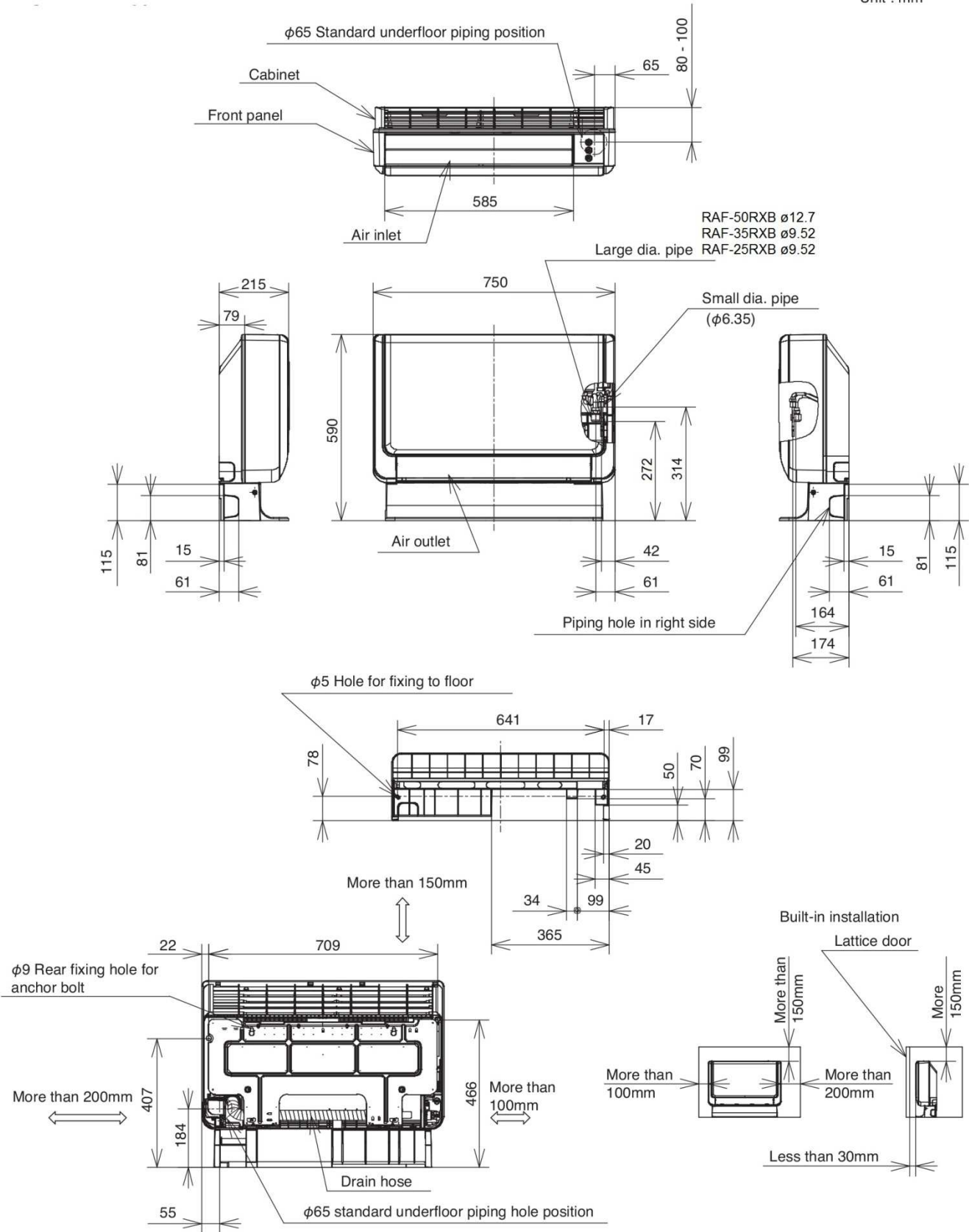
2.1.3. WALL TYPE: RAK-35RPB/50RPB

Unit : mm



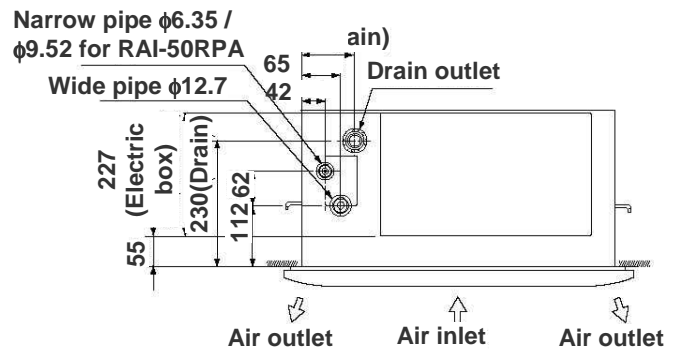
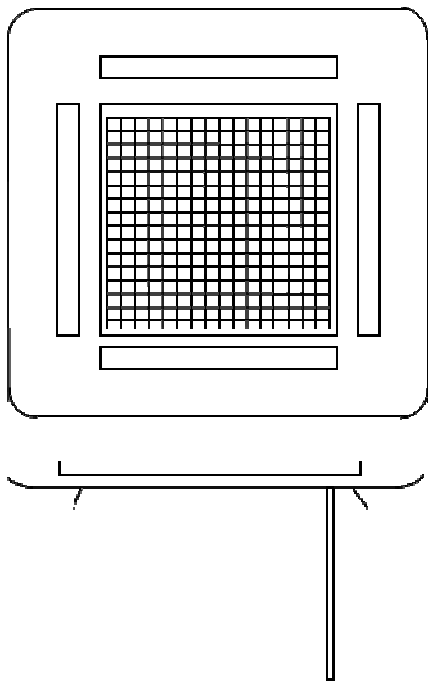
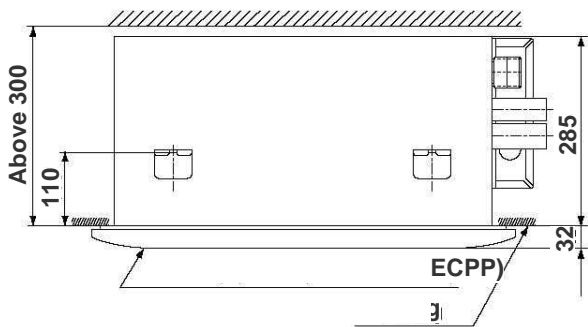
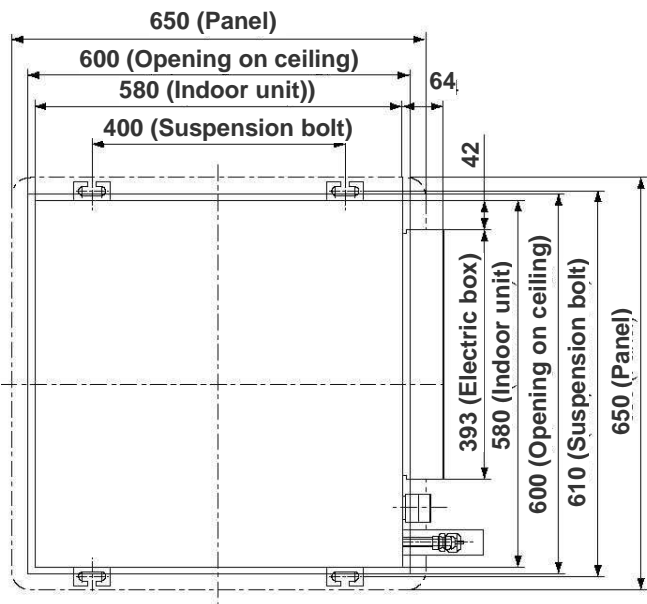
2.1.4. FLOOR TYPE: RAF-25RXB/35RXB/50RXB

Unit : mm

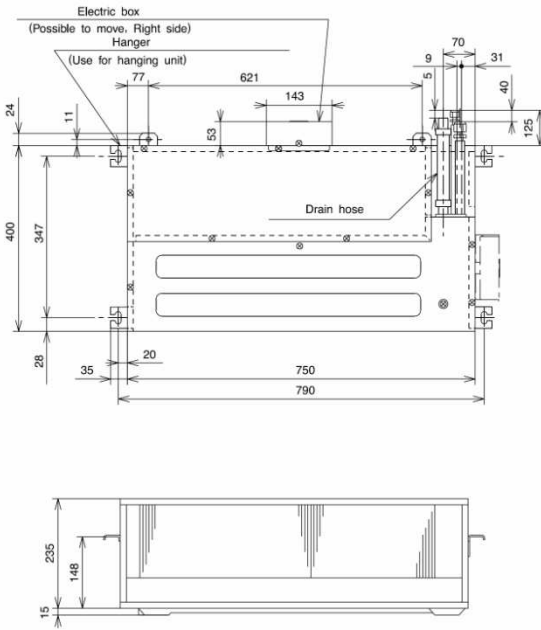


2.1.5. CEILING CASSETTE TYPE: RAI-25QPB/35QPB/50QPB/ECPP

Unit: mm

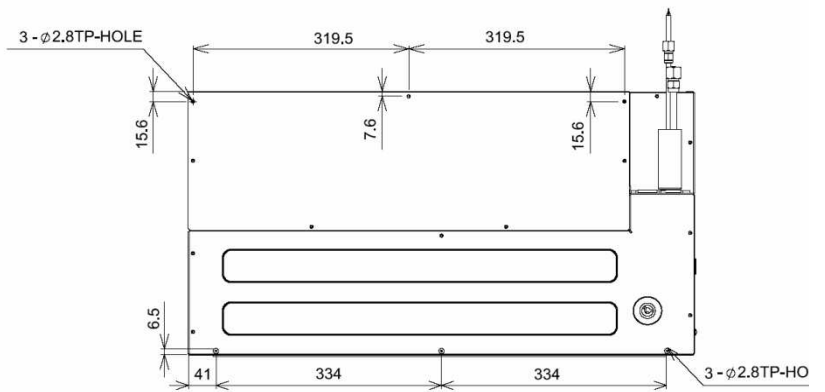
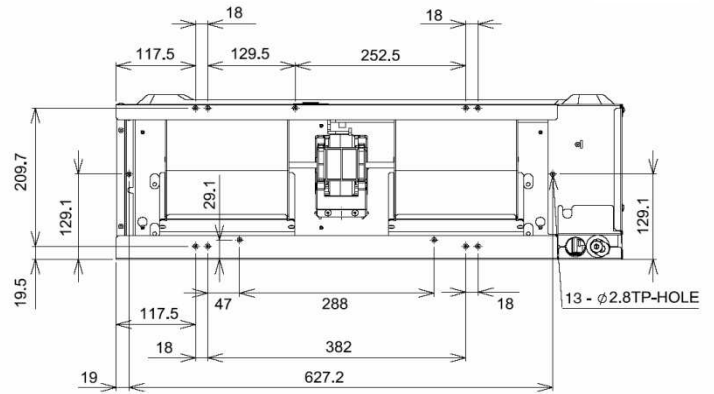


2.1.6. DUCT TYPE: RAD-18QP/25QP/35QP/50QP

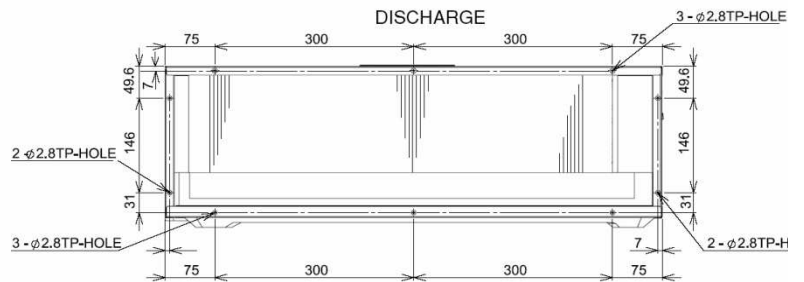


BACK SUCTION

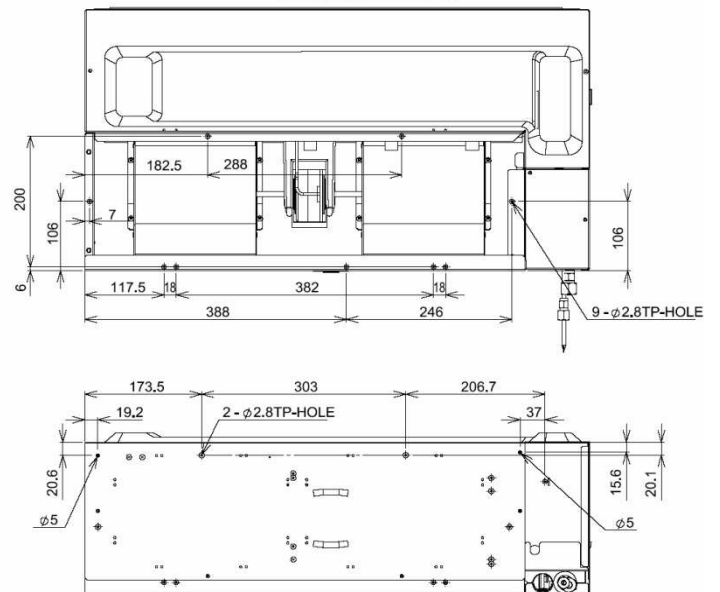
Unit: mm



DISCHARGE



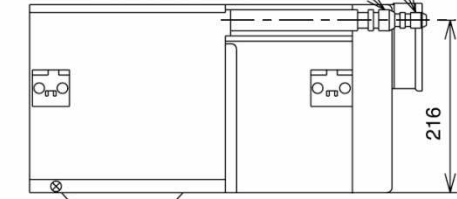
BOTTOM SUCTION



Narrow pipe ( $\phi$ 6.35)

Wide pipe ( $\phi$ 9.52)

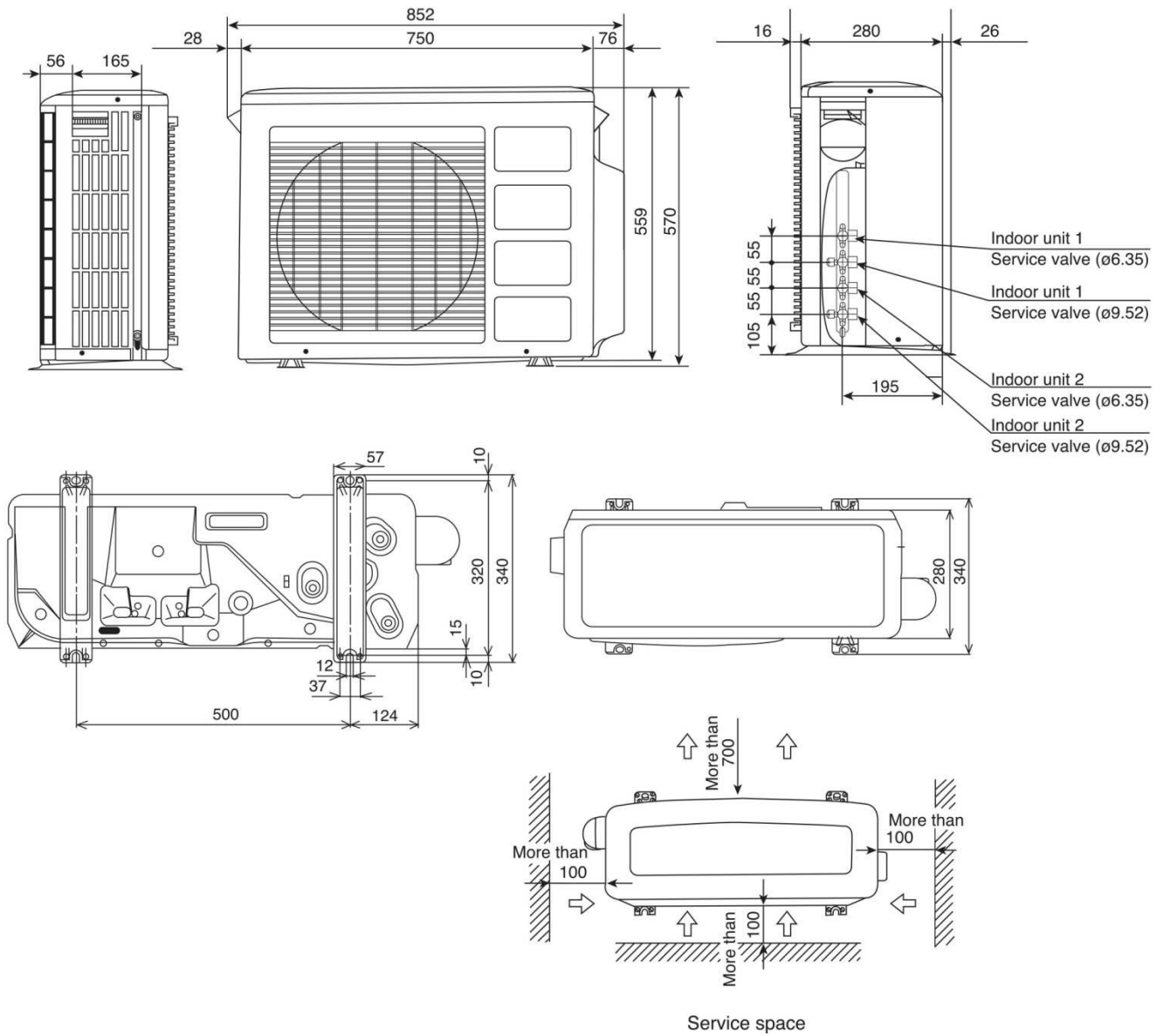
\* Wide pipe ( $\phi$ 12.7)



## 2.2. MULTIZONE OUTDOOR UNITS

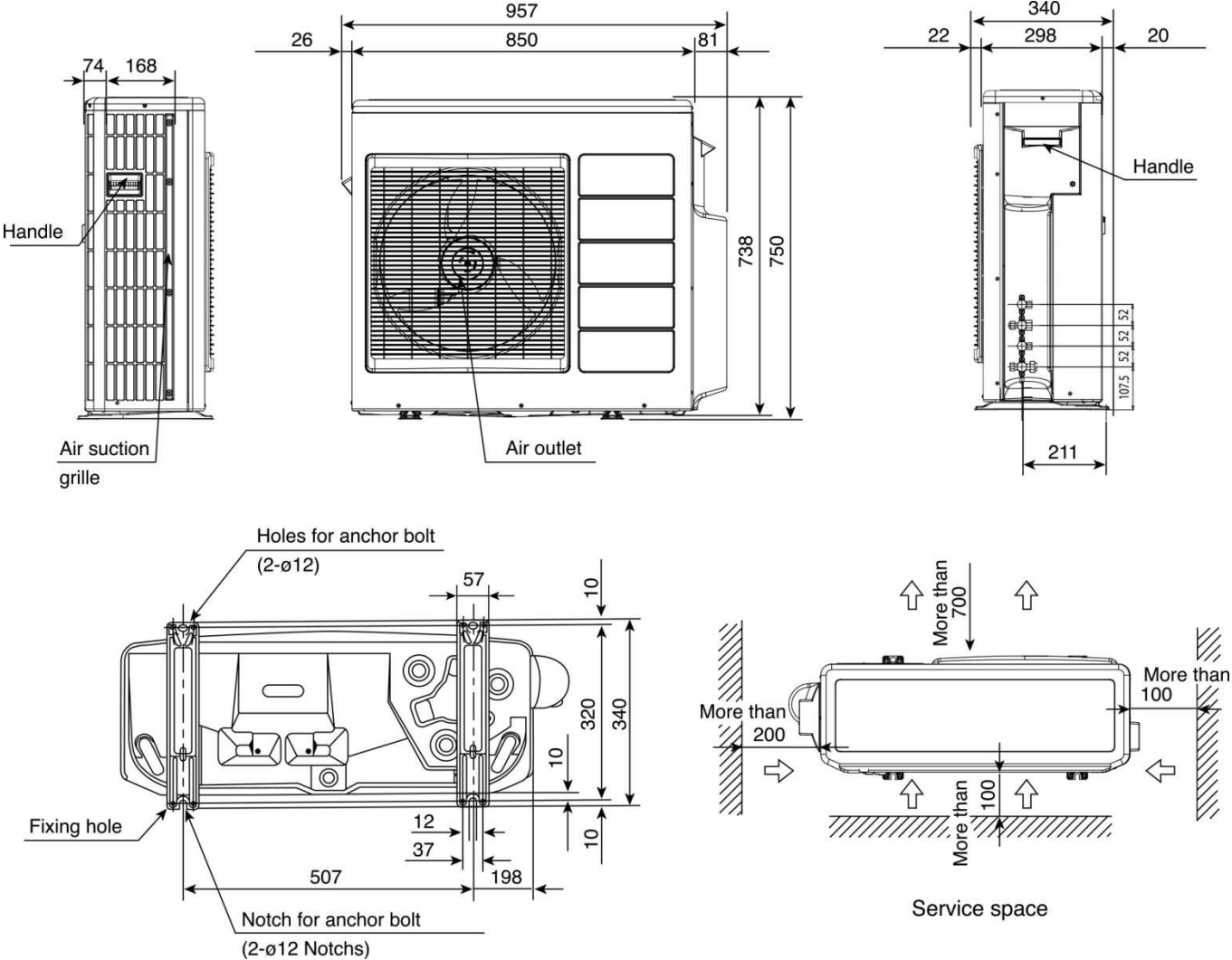
### 2.2.1. 2 ROOMS MULTIZONE: RAM-33NP2B/RAM-40NP2B

Unit: mm



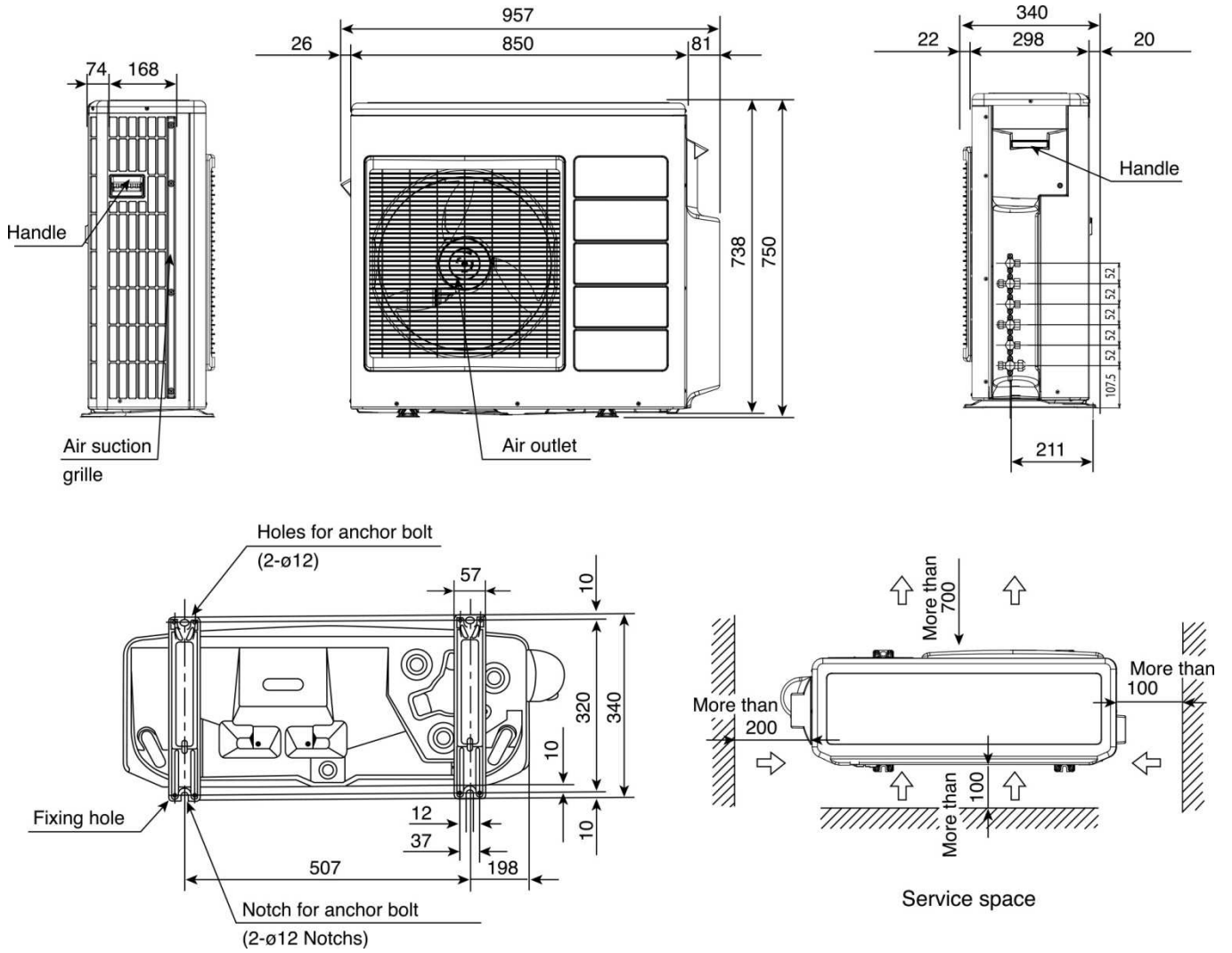
2.2.2. 2 ROOMS MULTIZONE: RAM-53NP2B

Unit: mm



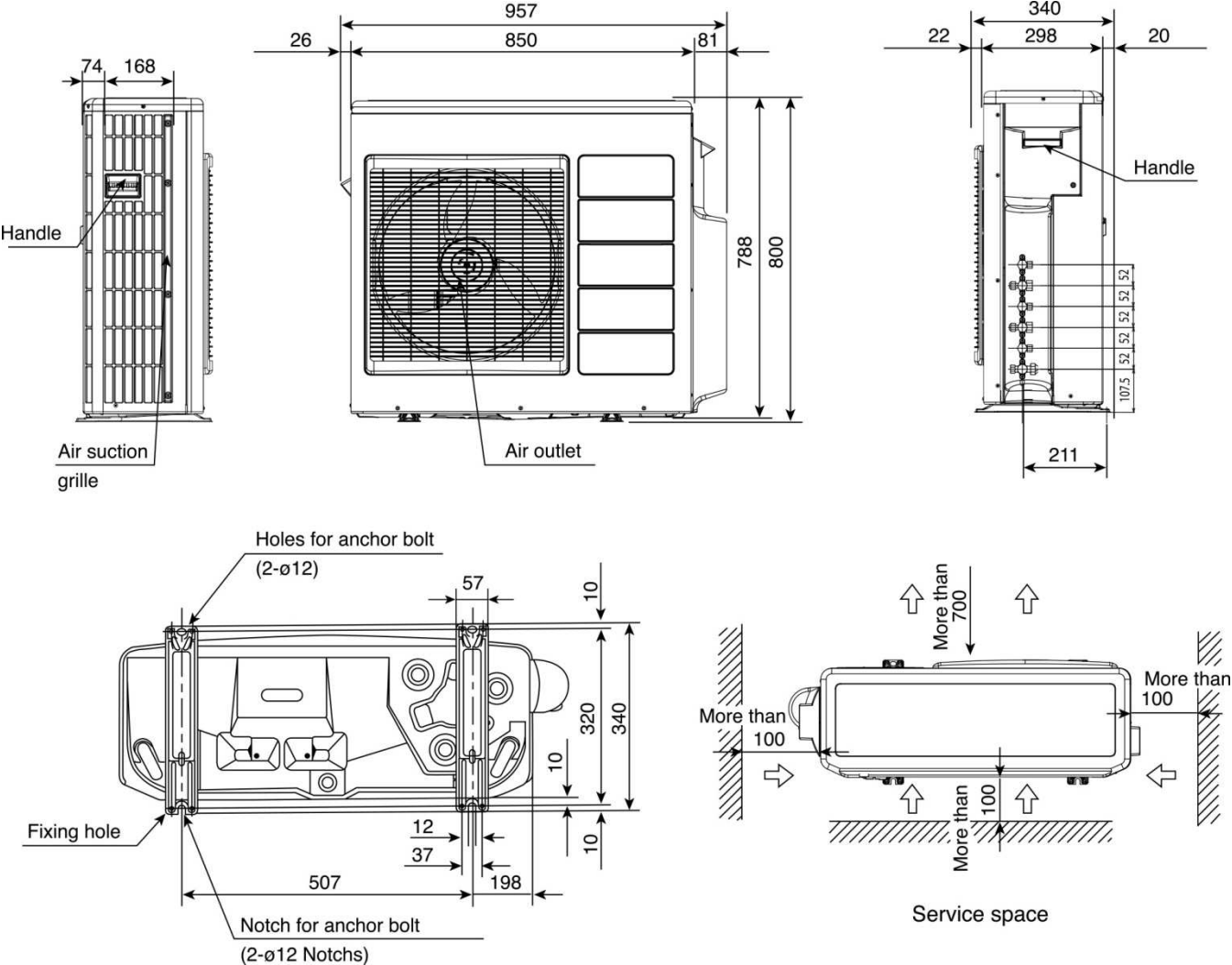
2.2.3. 3 ROOMS MULTIZONE: RAM-53NP3B

Unit: mm



2.2.4. 3 ROOMS MULTIZONE: RAM-63NP3B

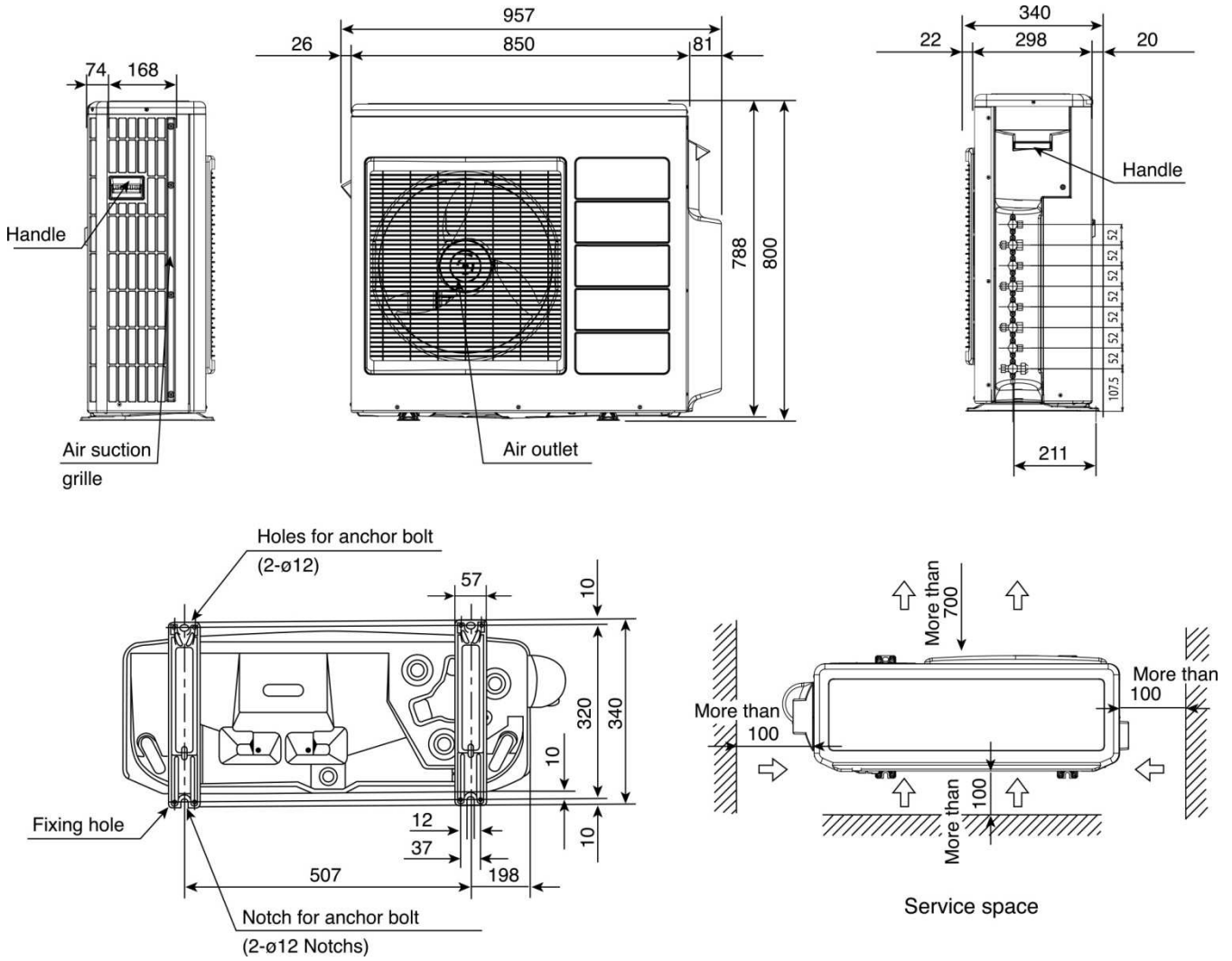
Unit: mm





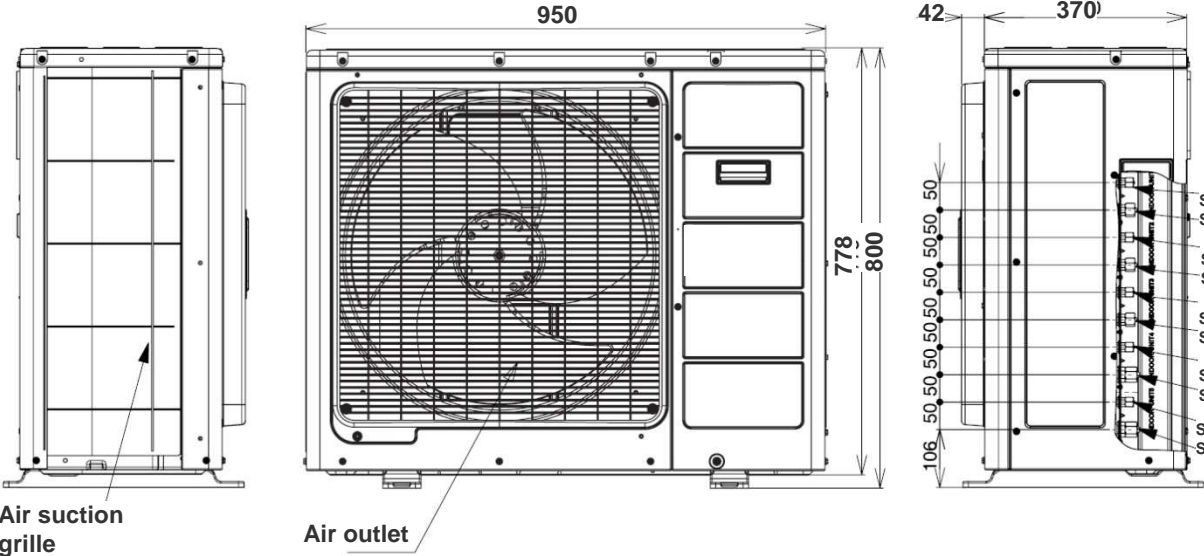
2.2.5. 4 ROOMS MULTIZONE: RAM-70NP4B

Unit: mm

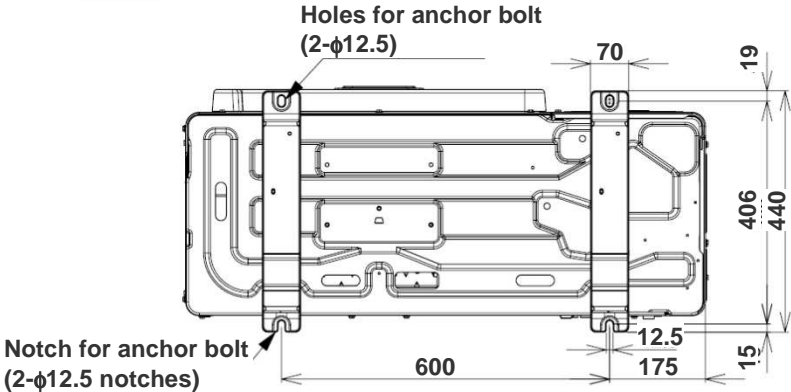


2.2.6. 5 ROOMS MULTIZONE: RAM-90NP5B

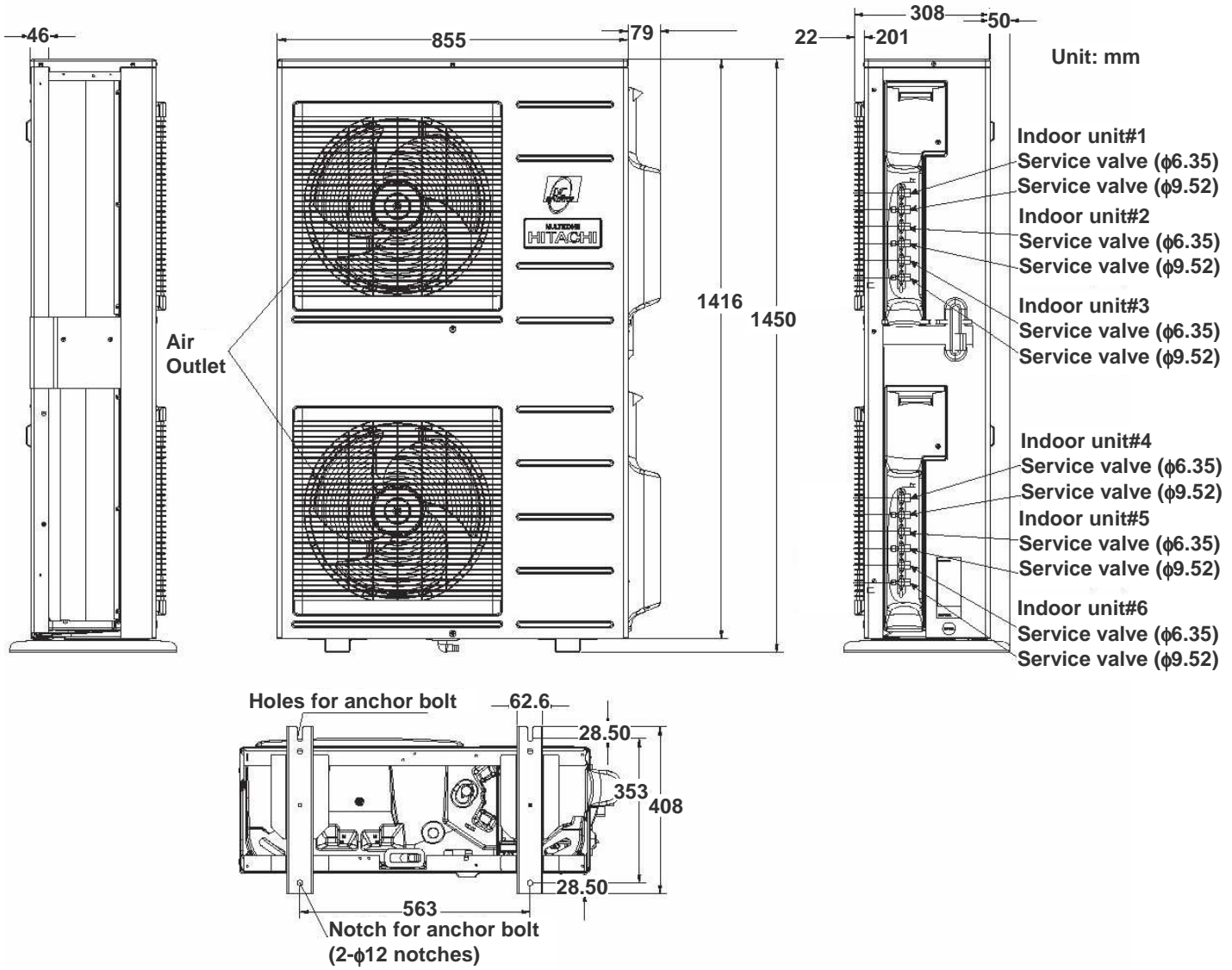
Unit: mm



- Indoor unit#1
- Service valve (φ6.35)
- Service valve (φ9.52)
- Indoor unit#2
- Service valve (φ6.35)
- Service valve (φ9.52)
- Indoor unit#3
- Service valve (φ6.35)
- Service valve (φ9.52)
- Indoor unit#4
- Service valve (φ6.35)
- Service valve (φ12.7)
- Indoor unit#5
- Service valve (φ6.35)
- Service valve (φ12.7)



2.2.1. 6 ROOMS MULTIZONE: RAM-110NP6B



## 3 CAPACITIES AND SELECTION DATA

### CONTENTS

3	CAPACITIES AND SELECTION DATA	3-1
3.1.	SYSTEM SELECTION PROCEDURE	3-2
3.1.1.	SELECTION UNIT FEATURES	3-2
3.1.2.	SELECTION GUIDE	3-2
3.1.3.	MULTIZONE COMBINATION TABLE	3-3
3.2.	CAPACITY CHARACTERISTIC CURVES FOR MULTIZONE	3-12
3.2.1.	RAM-33NP2B	3-12
3.2.2.	RAM-40NP2B	3-16
3.2.3.	RAM-53NP2B	3-21
3.2.4.	RAM-53NP3B	3-27
3.2.5.	RAM-68NP3B	3-39
3.2.6.	RAM-70NP4B	3-55
3.2.7.	RAM-90NP5B	3-79
3.2.8.	RAM-110NP6B	3-132
3.3.	CORRECTION FACTORS ACCORDING TO PIPING LENGTH	3-284
3.4.	CORRECTION FACTORS ACCORDING TO DEFROSTING OPERATION	3-288
3.5.	COMBINATION TABLE FOR MULTIZONE OUTDOOR	3-289
3.5.1.	RAM-33NP2B	3-289
3.5.2.	RAM-40NP2B	3-291
3.5.3.	RAM-53NP2B	3-293
3.5.4.	RAM-53NP3B	3-295
3.5.5.	RAM-68NP3B	3-298
3.5.6.	RAM-70NP4B	3-301
3.5.7.	RAM-90NP5B	3-306
3.5.8.	RAM-110NP6B	3-317

### 3.1. SYSTEM SELECTION PROCEDURE

The following system procedure is giving a sample regarding unit selection system, indicating how to use all parameters showed in this chapter.

#### 3.1.1. SELECTION UNIT FEATURES

Considering the building distribution, the possible indoor unit position and the available air flow distribution, select the unit features that are giving the best efficiency and comfort to each room.

Decide the Outdoor Unit position getting easy service maintenance and easy refrigerant pipe installation.

Therefore, the maximum indoor unit capacity combined with outdoor unit should be carefully considered for correct indoor unit distribution at each building

#### 3.1.2. SELECTION GUIDE

The following guide giving the method for indoor and outdoor unit selection.

##### Step 1: Determine the system requirements

Calculate the cooling capacity and heating capacity of each indoor unit according to the following conditions:

Total Load for each room

Item		Room			
		1	2	3	1+2+3
Estimated Cooling Load	kW	2.75	4.24	5.35	12.34
Estimated Heating Load	kW	2.90	4.60	6.00	13.50

\*Example

Temperature Condition

Cooling	Heating
Outdoor Air Inlet • Dry Bulb: 35.0°C	Outdoor Air Inlet • Dry Bulb: 7°C • Wet Bulb: 0°C
Indoor Air Inlet • Dry Bulb: 27.0°C • Wet Bulb: 19.0°C	Indoor Air Inlet • Dry Bulb: 20°C

\*Example

##### Step 2: Select Unit Capacity Performance

The unit kW is selected following the Cooling capacity and Heating capacity showed in the combination table.








##### Step 3: Read Selected Capacity Performance

The unit performance should be calculated considering the following correction factors:




1. Cooling and Heating piping length
2. Outdoor unit performance capacity
3. Indoor unit performance capacity for each room cooling load

Kindly refer to the unit selection combination table for correct capacity performance.

3.1.3. MULTIZONE COMBINATION TABLE



Type		Dual	Dual	Dual	Triple	Triple	Quad	Pentad
Model Name		RAM-33NP2B	RAM-40NP2B	RAM-53NP2B	RAM-53NP3B	RAM-68NP3B	RAM-70NP4B	RAM-90NP5B
Product Image								
Combination		Total						
ONE UNIT	1.5	1.5	-	-	-	-	-	-
	1.8	1.8	-	-	-	-	-	-
	2.5	2.5	-	-	-	-	-	-
	3.5	3.5	-	-	-	-	-	-
	5.0	5.0	-	-	-	-	-	-
TWO UNITS	1.5	1.5	★	★	★	★	★	★
	1.5	1.8	★	★	★	★	★	★
	1.5	2.5	★	★	★	★	★	★
	1.5	3.5	-	★	★	★	★	★
	1.5	5.0	-	-	★	★	★	★
	1.8	1.8	★	★	★	★	★	★
	1.8	2.5	★	★	★	★	★	★
	1.8	3.5	-	★	★	★	★	★
	1.8	5.0	-	-	★	★	★	★
	2.5	2.5	★	★	★	★	★	★
	2.5	3.5	-	★	★	★	★	★
	2.5	5.0	-	-	★	★	★	★
	3.5	3.5	-	-	★	★	★	★
	3.5	5.0	-	-	★	★	★	★
5.0	5.0	-	-	-	-	★	★	★

Type							Triple	Triple	Quad	Pentad	Hexad
Model Name							RAM-53NP3B	RAM-68NP3B	RAM-70NP4B	RAM-90NP5B	RAM-110NP6B
Product Image											
Combination						Total					
THREE UNITS	1.5	1.5	1.5			4.5	★	★	★	★	-
	1.5	1.5	1.8			4.8	★	★	★	★	-
	1.5	1.5	2.5			5.5	★	★	★	★	-
	1.5	1.5	3.5			6.5	★	★	★	★	-
	1.5	1.5	5.0			8.0	★	★	★	★	-
	1.5	1.8	1.8			5.1	★	★	★	★	-
	1.5	1.8	2.5			5.8	★	★	★	★	-
	1.5	1.8	3.5			6.8	★	★	★	★	-
	1.5	1.8	5.0			8.3	★	★	★	★	-
	1.5	2.5	2.5			6.5	★	★	★	★	-
	1.5	2.5	3.5			7.5	★	★	★	★	-
	1.5	2.5	5.0			9.0	-	★	★	★	-
	1.5	3.5	3.5			8.5	★	★	★	★	-
	1.5	3.5	5.0			10.0	-	★	★	★	-
	1.5	5.0	5.0			11.5	-	-	-	★	-
	1.8	1.8	1.8			5.4	★	★	★	★	-
	1.8	1.8	2.5			6.1	★	★	★	★	-
	1.8	1.8	3.5			7.1	★	★	★	★	-
	1.8	1.8	5.0			8.6	★	★	★	★	-
	1.8	2.5	2.5			6.8	★	★	★	★	-
	1.8	2.5	3.5			7.8	★	★	★	★	-
	1.8	2.5	5.0			9.3	-	★	★	★	-
	1.8	3.5	3.5			8.8	★	★	★	★	-
	1.8	3.5	5.0			10.3	-	★	★	★	-
	1.8	5.0	5.0			11.8	-	-	-	★	-
	2.5	2.5	2.5			7.5	★	★	★	★	-
	2.5	2.5	3.5			8.5	★	★	★	★	-
	2.5	2.5	5.0			10.0	-	★	★	★	-
	2.5	3.5	3.5			9.5	-	★	★	★	-
	2.5	3.5	5.0			11.0	-	★	★	★	-
	2.5	5.0	5.0			12.5	-	-	-	★	-
	3.5	3.5	3.5			10.5	-	★	★	★	-
3.5	3.5	5.0			12.0	-	-	-	★	-	
3.5	5.0	5.0			13.5	-	-	-	★	-	
5.0	5.0	5.0			15.0	-	-	-	★	-	

Type						Quad	Pentad	Hexad
Model Name						RAM-70NP4B	RAM-90NP5B	RAM-110NP6B
Product Image								
Combination					Total			
FOUR UNITS	1.5	1.5	1.5	1.5		6.0	★	★
	1.5	1.5	1.5	1.8		6.3	★	★
	1.5	1.5	1.5	2.5		7.0	★	★
	1.5	1.5	1.5	3.5		8.0	★	★
	1.5	1.5	1.5	5.0		9.5	★	★
	1.5	1.5	1.8	1.8		6.6	★	★
	1.5	1.5	1.8	2.5		7.3	★	★
	1.5	1.5	1.8	3.5		8.3	★	★
	1.5	1.5	1.8	5.0		9.8	★	★
	1.5	1.5	2.5	2.5		8.0	★	★
	1.5	1.5	2.5	3.5		9.0	★	★
	1.5	1.5	2.5	5.0		10.5	★	★
	1.5	1.5	3.5	3.5		10.0	★	★
	1.5	1.5	3.5	5.0		11.5	★	★
	1.5	1.5	5.0	5.0		13.0	-	★
	1.5	1.8	1.8	1.8		6.9	★	★
	1.5	1.8	1.8	2.5		7.6	★	★
	1.5	1.8	1.8	3.5		8.6	★	★
	1.5	1.8	1.8	5.0		10.1	★	★
	1.5	1.8	2.5	2.5		8.3	★	★
	1.5	1.8	2.5	3.5		9.3	★	★
	1.5	1.8	2.5	5.0		10.8	★	★
	1.5	1.8	3.5	3.5		10.3	★	★
	1.5	1.8	3.5	5.0		11.8	-	★
	1.5	1.8	5.0	5.0		13.3	-	-
	1.5	2.5	2.5	2.5		9.0	★	★
	1.5	2.5	2.5	3.5		10.0	★	★
	1.5	2.5	2.5	5.0		11.5	-	★
	1.5	2.5	3.5	3.5		11.0	★	★
	1.5	2.5	3.5	5.0		12.5	-	★
	1.5	2.5	5.0	5.0		14.0	-	-
	1.5	3.5	3.5	3.5		12.0	-	★
	1.5	3.5	3.5	5.0		13.5	-	★
	1.5	3.5	5.0	5.0		15.0	-	-
	1.8	1.8	1.8	1.8		7.2	★	★
	1.8	1.8	1.8	2.5		7.9	★	★
	1.8	1.8	1.8	3.5		8.9	★	★
	1.8	1.8	1.8	5.0		10.4	★	★
	1.8	1.8	2.5	2.5		8.6	★	★
	1.8	1.8	2.5	3.5		9.6	★	★
1.8	1.8	2.5	5.0		11.1	-	★	
1.8	1.8	3.5	3.5		10.6	★	★	




FOUR UNITS	1.8	1.8	3.5	5.0		12.1	-	★	★
	1.8	1.8	5.0	5.0		13.6	-	★	★
	1.8	2.5	2.5	2.5		9.3	★	★	★
	1.8	2.5	2.5	3.5		10.3	★	★	★
	1.8	2.5	2.5	5.0		11.8	-	★	★
	1.8	2.5	3.5	3.5		11.3	-	★	★
	1.8	2.5	3.5	5.0		12.8	-	★	★
	1.8	2.5	5.0	5.0		14.3	-	★	★
	1.8	3.5	3.5	3.5		12.3	-	★	★
	1.8	3.5	3.5	5.0		13.8	-	★	★
	1.8	3.5	5.0	5.0		15.3	-	★	★
	2.5	2.5	2.5	2.5		10.0	★	★	★
	2.5	2.5	2.5	3.5		11.0	★	★	★
	2.5	2.5	2.5	5.0		12.5	-	★	★
	2.5	2.5	3.5	3.5		12.0	-	★	★
	2.5	2.5	3.5	5.0		13.5	-	★	★
	2.5	2.5	5.0	5.0		15.0	-	★	★
	2.5	3.5	3.5	3.5		13.0	-	★	★
	2.5	3.5	3.5	5.0		14.5	-	★	★
	3.5	3.5	3.5	3.5		14.0	-	★	★
3.5	3.5	3.5	5.0		15.5	-	★	★	
3.5	3.5	5.0	5.0		17.0	-	-	★	

Type							Pentad	Hexad
Model Name							RAM-90NP5B	RAM-110NP6B
Product Image								
Combination						Total		
1.5	1.5	1.5	1.5	1.5		7.5	★	★
1.5	1.5	1.5	1.5	1.8		7.8	★	★
1.5	1.5	1.5	1.5	2.5		8.5	★	★
1.5	1.5	1.5	1.5	3.5		9.5	★	★
1.5	1.5	1.5	1.5	5.0		11.0	★	★
1.5	1.5	1.5	1.8	1.8		8.1	★	★
1.5	1.5	1.5	1.8	2.5		8.8	★	★
1.5	1.5	1.5	1.8	3.5		9.8	★	★
1.5	1.5	1.5	1.8	5.0		11.3	★	★
1.5	1.5	1.5	2.5	2.5		9.5	★	★
1.5	1.5	1.5	2.5	3.5		10.5	★	★
1.5	1.5	1.5	2.5	5.0		12.0	★	★
1.5	1.5	1.5	3.5	3.5		11.5	★	★
1.5	1.5	1.5	3.5	5.0		13.0	★	★
1.5	1.5	1.5	5.0	5.0		14.5	★	★
1.5	1.5	1.8	1.8	1.8		8.4	★	★
1.5	1.5	1.8	1.8	2.5		9.1	★	★
1.5	1.5	1.8	1.8	3.5		10.1	★	★
1.5	1.5	1.8	1.8	5.0		11.6	★	★
1.5	1.5	1.8	2.5	2.5		9.8	★	★
1.5	1.5	1.8	2.5	3.5		10.8	★	★
1.5	1.5	1.8	2.5	5.0		12.3	★	★
1.5	1.5	1.8	3.5	3.5		11.8	★	★
1.5	1.5	1.8	3.5	5.0		13.3	★	★
1.5	1.5	1.8	5.0	5.0		14.8	★	★
1.5	1.5	2.5	2.5	2.5		10.5	★	★
1.5	1.5	2.5	2.5	3.5		11.5	★	★
1.5	1.5	2.5	2.5	5.0		13.0	★	★
1.5	1.5	2.5	3.5	3.5		12.5	★	★
1.5	1.5	2.5	3.5	5.0		14.0	★	★
1.5	1.5	2.5	5.0	5.0		15.5	★	-
1.5	1.5	3.5	3.5	3.5		13.5	★	★
1.5	1.5	3.5	3.5	5.0		15.0	★	★
1.5	1.8	1.8	1.8	1.8		8.7	★	★
1.5	1.8	1.8	1.8	2.5		9.4	★	★
1.5	1.8	1.8	1.8	3.5		10.4	★	★
1.5	1.8	1.8	1.8	5.0		11.9	★	★
1.5	1.8	1.8	2.5	2.5		10.1	★	★
1.5	1.8	1.8	2.5	3.5		11.1	★	★
1.5	1.8	1.8	2.5	5.0		12.6	★	★
1.5	1.8	1.8	3.5	3.5		12.1	★	★
1.5	1.8	1.8	3.5	5.0		13.6	★	★
1.5	1.8	1.8	5.0	5.0		15.1	★	★
1.5	1.8	2.5	2.5	2.5		10.8	★	★

FIVE UNITS

FIVE UNITS	1.5	1.8	2.5	2.5	3.5	11.8	★	★
	1.5	1.8	2.5	2.5	5.0	13.3	★	★
	1.5	1.8	2.5	3.5	3.5	12.8	★	★
	1.5	1.8	2.5	3.5	5.0	14.3	★	★
	1.5	1.8	3.5	3.5	3.5	13.8	★	★
	1.5	1.8	3.5	3.5	5.0	15.3	★	★
	1.5	2.5	2.5	2.5	2.5	11.5	-	★
	1.5	2.5	2.5	2.5	3.5	12.5	-	★
	1.5	2.5	2.5	2.5	5.0	14.0	-	★
	1.5	2.5	2.5	3.5	3.5	13.5	-	★
	1.5	2.5	2.5	3.5	5.0	15.0	-	★
	1.8	1.8	1.8	1.8	1.8	9.0	★	★
	1.8	1.8	1.8	1.8	2.5	9.7	★	★
	1.8	1.8	1.8	1.8	3.5	10.7	★	★
	1.8	1.8	1.8	1.8	5.0	12.2	★	★
	1.8	1.8	1.8	2.5	2.5	10.4	★	★
	1.8	1.8	1.8	2.5	3.5	11.4	★	★
	1.8	1.8	1.8	2.5	5.0	12.9	★	★
	1.8	1.8	1.8	3.5	3.5	12.4	★	★
	1.8	1.8	1.8	3.5	5.0	13.9	★	★
	1.8	1.8	1.8	5.0	5.0	15.4	★	★
	1.8	1.8	2.5	2.5	2.5	11.1	★	★
	1.8	1.8	2.5	2.5	3.5	12.1	★	★
	1.8	1.8	2.5	2.5	5.0	13.6	★	★
	1.8	1.8	2.5	3.5	3.5	13.1	★	★
	1.8	1.8	2.5	3.5	5.0	14.6	★	★
	1.8	1.8	3.5	3.5	3.5	14.1	★	★
	1.8	2.5	2.5	2.5	2.5	11.8	★	★
	1.8	2.5	2.5	2.5	3.5	12.8	★	★
	1.8	2.5	2.5	2.5	5.0	14.3	★	★
	1.8	2.5	2.5	3.5	3.5	13.8	★	★
	1.8	2.5	2.5	3.5	5.0	15.3	★	★
	1.8	2.5	3.5	3.5	3.5	14.8	★	★
	1.8	3.5	3.5	3.5	3.5	15.8	-	★
	2.5	2.5	2.5	2.5	2.5	12.5	★	★
	2.5	2.5	2.5	2.5	3.5	13.5	★	★
	2.5	2.5	2.5	2.5	5.0	15	★	★
	2.5	2.5	2.5	3.5	3.5	14.5	★	★
	2.5	2.5	2.5	3.5	5.0	16	-	★
	2.5	2.5	3.5	3.5	3.5	15.5	★	★
2.5	2.5	3.5	3.5	5.0	17	-	★	

Type								Hexad
Model Name								RAM-110NP6B
Product Image								
Combination							Total	
1.5	1.5	1.5	1.5	1.5	1.5	1.5	9.0	★
1.5	1.5	1.5	1.5	1.5	1.8	1.8	9.3	★
1.5	1.5	1.5	1.5	1.5	2.5	2.5	10.0	★
1.5	1.5	1.5	1.5	1.5	3.5	3.5	11.0	★
1.5	1.5	1.5	1.5	1.5	5.0	5.0	12.5	★
1.5	1.5	1.5	1.5	1.8	1.8	1.8	9.6	★
1.5	1.5	1.5	1.5	1.8	2.5	2.5	10.3	★
1.5	1.5	1.5	1.5	1.8	3.5	3.5	11.3	★
1.5	1.5	1.5	1.5	1.8	5.0	5.0	12.8	★
1.5	1.5	1.5	1.5	2.5	2.5	2.5	11.0	★
1.5	1.5	1.5	1.5	2.5	3.5	3.5	12.0	★
1.5	1.5	1.5	1.5	2.5	5.0	5.0	13.5	★
1.5	1.5	1.5	1.5	3.5	3.5	3.5	13.0	★
1.5	1.5	1.5	1.5	3.5	5.0	5.0	14.5	★
1.5	1.5	1.5	1.5	5.0	5.0	5.0	16.0	★
1.5	1.5	1.5	1.8	1.8	1.8	1.8	9.9	★
1.5	1.5	1.5	1.8	1.8	2.5	2.5	10.6	★
1.5	1.5	1.5	1.8	1.8	3.5	3.5	11.6	★
1.5	1.5	1.5	1.8	1.8	5.0	5.0	13.1	★
1.5	1.5	1.5	1.8	2.5	2.5	2.5	11.3	★
1.5	1.5	1.5	1.8	2.5	3.5	3.5	12.3	★
1.5	1.5	1.5	1.8	2.5	5.0	5.0	13.8	★
1.5	1.5	1.5	1.8	3.5	3.5	3.5	13.3	★
1.5	1.5	1.5	1.8	3.5	5.0	5.0	14.8	★
1.5	1.5	1.5	1.8	5.0	5.0	5.0	16.3	★
1.5	1.5	1.5	2.5	2.5	2.5	2.5	12.0	★
1.5	1.5	1.5	2.5	2.5	3.5	3.5	13.0	★
1.5	1.5	1.5	2.5	2.5	5.0	5.0	14.5	★
1.5	1.5	1.5	2.5	3.5	3.5	3.5	14.0	★
1.5	1.5	1.5	2.5	3.5	5.0	5.0	15.5	★
1.5	1.5	1.5	3.5	3.5	3.5	3.5	15.0	★
1.5	1.5	1.5	3.5	3.5	5.0	5.0	16.5	★
1.5	1.5	1.8	1.8	1.8	1.8	1.8	10.2	★
1.5	1.5	1.8	1.8	1.8	2.5	2.5	10.9	★
1.5	1.5	1.8	1.8	1.8	3.5	3.5	11.9	★
1.5	1.5	1.8	1.8	1.8	5.0	5.0	13.4	★
1.5	1.5	1.8	1.8	2.5	2.5	2.5	11.6	★
1.5	1.5	1.8	1.8	2.5	3.5	3.5	12.6	★
1.5	1.5	1.8	1.8	2.5	5.0	5.0	14.1	★
1.5	1.5	1.8	1.8	3.5	3.5	3.5	13.6	★
1.5	1.5	1.8	1.8	3.5	5.0	5.0	15.1	★
1.5	1.5	1.8	1.8	5.0	5.0	5.0	16.6	★

SIX UNITS



SIX UNITS	1.8	1.8	1.8	1.8	1.8	2.5	11.5	★
	1.8	1.8	1.8	1.8	1.8	3.5	12.5	★
	1.8	1.8	1.8	1.8	1.8	5.0	14.0	★
	1.8	1.8	1.8	1.8	2.5	2.5	12.2	★
	1.8	1.8	1.8	1.8	2.5	3.5	13.2	★
	1.8	1.8	1.8	1.8	2.5	5.0	14.7	★
	1.8	1.8	1.8	1.8	3.5	3.5	14.2	★
	1.8	1.8	1.8	1.8	3.5	5.0	15.7	★
	1.8	1.8	1.8	1.8	5.0	5.0	17.2	★
	1.8	1.8	1.8	2.5	2.5	2.5	12.9	★
	1.8	1.8	1.8	2.5	2.5	3.5	13.9	★
	1.8	1.8	1.8	2.5	2.5	5.0	15.4	★
	1.8	1.8	1.8	2.5	3.5	3.5	14.9	★
	1.8	1.8	1.8	2.5	3.5	5.0	16.4	★
	1.8	1.8	1.8	3.5	3.5	3.5	15.9	★
	1.8	1.8	1.8	3.5	3.5	5.0	17.4	★
	1.8	1.8	2.5	2.5	2.5	2.5	13.6	★
	1.8	1.8	2.5	2.5	2.5	3.5	14.6	★
	1.8	1.8	2.5	2.5	2.5	5.0	16.1	★
	1.8	1.8	2.5	2.5	3.5	3.5	15.6	★
	1.8	1.8	2.5	2.5	3.5	5.0	17.1	★
	1.8	1.8	2.5	3.5	3.5	3.5	16.6	★
	1.8	1.8	3.5	3.5	3.5	3.5	17.6	★
	1.8	2.5	2.5	2.5	2.5	2.5	14.3	★
	1.8	2.5	2.5	2.5	2.5	3.5	15.3	★
	1.8	2.5	2.5	2.5	3.5	3.5	16.3	★
	1.8	2.5	2.5	3.5	3.5	3.5	17.3	★
	2.5	2.5	2.5	2.5	2.5	2.5	15.0	★
	2.5	2.5	2.5	2.5	2.5	3.5	16.0	★
	2.5	2.5	2.5	2.5	3.5	3.5	17.0	★

\*At least 2 indoor should be connected to RAM-33/40/53NP2B, 53/68NP3B, 70NP4B, 90NP5B

\*At least 4 indoor should be connected to RAM-110NP6B

## 3.2. CAPACITY CHARACTERISTIC CURVES FOR MULTIZONE

The following charts show the characteristics of outdoor unit capacity, which corresponds with the operating ambient temperature of outdoor unit.

Conditions:

① Pipe length / height difference : 5.0m / 0m

③ Capacity loss due to white frost and defrost operation is not included.

② Indoor fan speed at High mode

### 3.2.1. RAM-33NP2B

## COOLING [50Hz, 230V]

	INDOOR		OUTDOOR TEMPERATURE (°CDB)																				
	EWB	EDB	-10			21			27			32			35			40			43		
	°C	°C	TC	SHC	PI	TC	SHC	PI	TC	SHC	PI	TC	SHC	PI	TC	SHC	PI	TC	SHC	PI	TC	SHC	PI
RAM-33NP2B	12.0	18	2562	2209	445	2902	2946	529	2686	2719	623	2706	2755	736	2607	2634	768	2442	2483	824	2343	2362	856
	14.0	20	2562	2209	445	3118	2946	529	2902	2747	631	2904	2755	744	2805	2665	776	2607	2483	832	2508	2392	872
	16.0	22	2562	2351	452	3334	2946	536	3087	2747	638	3102	2755	752	3003	2665	792	2805	2483	848	2706	2392	880
	18.0	25	2747	2521	459	3550	3201	543	3272	2974	645	3300	2998	760	3168	2877	792	2970	2695	856	2838	2574	888
	19.0	27	2840	2606	466	3673	3371	550	3396	3116	653	3432	3149	768	3300	3028	800	3102	2846	856	2970	2725	888
	22.0	30	3149	2577	466	4075	3342	550	3766	3087	653	3795	3119	776	3663	2998	808	3300	2907	888	3069	2846	936
	24.0	32	3365	2577	473	4352	3342	557	4013	3087	660	4059	3119	776	3894	2998	816	3432	2967	912	3135	2937	968
1.5	12.0	18	1165	799	184	1319	1065	218	1221	983	257	1230	996	304	1185	953	317	1110	898	340	1065	854	353
	14.0	20	1165	799	184	1417	1065	218	1319	994	260	1320	996	307	1275	964	320	1185	898	343	1140	865	360
	16.0	22	1165	850	187	1515	1065	221	1403	994	263	1410	996	310	1365	964	327	1275	898	350	1230	865	363
	18.0	25	1249	912	189	1614	1157	224	1487	1075	266	1500	1084	314	1440	1040	327	1350	975	353	1290	931	366
	19.0	27	1291	942	192	1670	1219	227	1543	1127	269	1560	1139	317	1500	1095	330	1410	1029	353	1350	986	366
	22.0	30	1431	932	192	1852	1209	227	1712	1116	269	1725	1128	320	1665	1084	333	1500	1051	366	1395	1029	386
	24.0	32	1529	932	195	1978	1209	230	1824	1116	272	1845	1128	320	1770	1084	337	1560	1073	376	1425	1062	399
1.8	12.0	18	1397	959	217	1583	1278	258	1465	1180	304	1476	1196	359	1422	1143	374	1332	1077	402	1278	1025	417
	14.0	20	1397	959	217	1701	1278	258	1583	1192	307	1584	1196	363	1530	1156	378	1422	1077	406	1368	1038	425
	16.0	22	1397	1020	221	1818	1278	261	1684	1192	311	1692	1196	367	1638	1156	386	1530	1077	413	1476	1038	429
	18.0	25	1499	1094	224	1936	1389	265	1785	1291	315	1800	1301	371	1728	1248	386	1620	1169	417	1548	1117	433
	19.0	27	1549	1131	227	2004	1463	268	1852	1352	318	1872	1367	374	1800	1314	390	1692	1235	417	1620	1183	433
	22.0	30	1717	1118	227	2223	1450	268	2054	1340	318	2070	1353	378	1998	1301	394	1800	1261	433	1674	1235	456
	24.0	32	1835	1118	231	2374	1450	271	2189	1340	322	2214	1353	378	2124	1301	398	1872	1288	445	1710	1275	472
2.5	12.0	18	1941	1332	356	2198	1775	423	2035	1639	499	2050	1661	589	1975	1588	614	1850	1497	659	1775	1424	685
	14.0	20	1941	1332	356	2362	1775	423	2198	1656	505	2200	1661	595	2125	1606	621	1975	1497	666	1900	1442	698
	16.0	22	1941	1417	362	2526	1775	429	2339	1656	510	2350	1661	602	2275	1606	634	2125	1497	678	2050	1442	704
	18.0	25	2081	1519	367	2689	1929	434	2479	1792	516	2500	1807	608	2400	1734	634	2250	1624	685	2150	1551	710
	19.0	27	2151	1571	373	2783	2031	440	2572	1878	522	2600	1898	614	2500	1825	640	2350	1716	685	2250	1643	710
	22.0	30	2385	1553	373	3087	2014	440	2853	1861	522	2875	1880	621	2775	1807	646	2500	1752	710	2325	1716	749
	24.0	32	2549	1553	379	3297	2014	445	3040	1861	528	3075	1880	621	2950	1807	653	2600	1789	730	2375	1770	774
1.5+1.5	12.0	18	2329	1598	451	2638	2130	536	2441	1967	631	2460	1993	745	2370	1905	778	2220	1796	834	2130	1708	867
	14.0	20	2329	1598	451	2834	2130	536	2638	1987	639	2640	1993	753	2550	1927	786	2370	1796	842	2280	1730	883
	16.0	22	2329	1700	458	3031	2130	543	2806	1987	646	2820	1993	761	2730	1927	802	2550	1796	859	2460	1730	891
	18.0	25	2498	1823	465	3227	2315	550	2975	2151	653	3000	2168	770	2880	2081	802	2700	1949	867	2580	1862	899
	19.0	27	2582	1885	472	3339	2438	557	3087	2253	661	3120	2278	778	3000	2190	810	2820	2059	867	2700	1971	899
	22.0	30	2862	1864	472	3704	2417	557	3424	2233	661	3450	2256	786	3330	2168	818	3000	2102	899	2790	2059	948
	24.0	32	3059	1864	479	3957	2417	564	3648	2233	668	3690	2256	786	3540	2168	826	3120	2146	923	2850	2124	980

	INDOOR		OUTDOOR TEMPERATURE (°CDB)																							
	EWB	EDB	-10			21			27			32			35			40			43					
	°C	°C	TC	SHC	PI	TC	SHC	PI	TC	SHC	PI	TC	SHC	PI	TC	SHC	PI	TC	SHC	PI	TC	SHC	PI			
1.5+1.8	12.0	18	2562	1758	445	2902	2344	529	2686	2163	623	2706	2192	736	2607	2096	768	2442	1975	824	2343	1879	856			
	14.0	20	2562	1758	445	3118	2344	529	2902	2186	631	2904	2192	744	2805	2120	776	2607	1975	832	2508	1903	872			
	16.0	22	2562	1870	452	3334	2344	536	3087	2186	638	3102	2192	752	3003	2120	792	2805	1975	848	2706	1903	880			
	18.0	25	2747	2006	459	3550	2546	543	3272	2366	645	3300	2385	760	3168	2289	792	2970	2144	856	2838	2048	888			
	19.0	27	2840	2073	466	3673	2682	550	3396	2479	653	3432	2505	768	3300	2409	800	3102	2264	856	2970	2168	888			
	22.0	30	3149	2051	466	4075	2659	550	3766	2456	653	3795	2481	776	3663	2385	808	3300	2313	888	3069	2264	936			
	24.0	32	3365	2051	473	4352	2659	557	4013	2456	660	4059	2481	776	3894	2385	816	3432	2361	912	3135	2337	968			
1.5+2.5	12.0	18	2562	1758	445	2902	2344	529	2686	2163	623	2706	2192	736	2607	2096	768	2442	1975	824	2343	1879	856			
	14.0	20	2562	1758	445	3118	2344	529	2902	2186	631	2904	2192	744	2805	2120	776	2607	1975	832	2508	1903	872			
	16.0	22	2562	1870	452	3334	2344	536	3087	2186	638	3102	2192	752	3003	2120	792	2805	1975	848	2706	1903	880			
	18.0	25	2747	2006	459	3550	2546	543	3272	2366	645	3300	2385	760	3168	2289	792	2970	2144	856	2838	2048	888			
	19.0	27	2840	2073	466	3673	2682	550	3396	2479	653	3432	2505	768	3300	2409	800	3102	2264	856	2970	2168	888			
	22.0	30	3149	2051	466	4075	2659	550	3766	2456	653	3795	2481	776	3663	2385	808	3300	2313	888	3069	2264	936			
	24.0	32	3365	2051	473	4352	2659	557	4013	2456	660	4059	2481	776	3894	2385	816	3432	2361	912	3135	2337	968			
1.8+1.8	12.0	18	2562	1758	445	2902	2344	529	2686	2163	623	2706	2192	736	2607	2096	768	2442	1975	824	2343	1879	856			
	14.0	20	2562	1758	445	3118	2344	529	2902	2186	631	2904	2192	744	2805	2120	776	2607	1975	832	2508	1903	872			
	16.0	22	2562	1870	452	3334	2344	536	3087	2186	638	3102	2192	752	3003	2120	792	2805	1975	848	2706	1903	880			
	18.0	25	2747	2006	459	3550	2546	543	3272	2366	645	3300	2385	760	3168	2289	792	2970	2144	856	2838	2048	888			
	19.0	27	2840	2073	466	3673	2682	550	3396	2479	653	3432	2505	768	3300	2409	800	3102	2264	856	2970	2168	888			
	22.0	30	3149	2051	466	4075	2659	550	3766	2456	653	3795	2481	776	3663	2385	808	3300	2313	888	3069	2264	936			
	24.0	32	3365	2051	473	4352	2659	557	4013	2456	660	4059	2481	776	3894	2385	816	3432	2361	912	3135	2337	968			
1.8+2.5	12.0	18	2562	1758	445	2902	2344	529	2686	2163	623	2706	2192	736	2607	2096	768	2442	1975	824	2343	1879	856			
	14.0	20	2562	1758	445	3118	2344	529	2902	2186	631	2904	2192	744	2805	2120	776	2607	1975	832	2508	1903	872			
	16.0	22	2562	1870	452	3334	2344	536	3087	2186	638	3102	2192	752	3003	2120	792	2805	1975	848	2706	1903	880			
	18.0	25	2747	2006	459	3550	2546	543	3272	2366	645	3300	2385	760	3168	2289	792	2970	2144	856	2838	2048	888			
	19.0	27	2840	2073	466	3673	2682	550	3396	2479	653	3432	2505	768	3300	2409	800	3102	2264	856	2970	2168	888			
	22.0	30	3149	2051	466	4075	2659	550	3766	2456	653	3795	2481	776	3663	2385	808	3300	2313	888	3069	2264	936			
	24.0	32	3365	2051	473	4352	2659	557	4013	2456	660	4059	2481	776	3894	2385	816	3432	2361	912	3135	2337	968			
2.5+2.5	12.0	18	2562	1758	445	2902	2344	529	2686	2163	623	2706	2192	736	2607	2096	768	2442	1975	824	2343	1879	856			
	14.0	20	2562	1758	445	3118	2344	529	2902	2186	631	2904	2192	744	2805	2120	776	2607	1975	832	2508	1903	872			
	16.0	22	2562	1870	452	3334	2344	536	3087	2186	638	3102	2192	752	3003	2120	792	2805	1975	848	2706	1903	880			
	18.0	25	2747	2006	459	3550	2546	543	3272	2366	645	3300	2385	760	3168	2289	792	2970	2144	856	2838	2048	888			
	19.0	27	2840	2073	466	3673	2682	550	3396	2479	653	3432	2505	768	3300	2409	800	3102	2264	856	2970	2168	888			
	22.0	30	3149	2051	466	4075	2659	550	3766	2456	653	3795	2481	776	3663	2385	808	3300	2313	888	3069	2264	936			
	24.0	32	3365	2051	473	4352	2659	557	4013	2456	660	4059	2481	776	3894	2385	816	3432	2361	912	3135	2337	968			

EWB : Evaporator Wet Bulb temperature (°C)

TC : Total Capacity (W)

EDB : Evaporator Dry Bulb temperature (°C)

SHC : Sensible Heating Capacity (W)

(°CDB) : Outdoor Unit Inlet Air Dry Temperature (°C)

PI : Power Input



### HEATING [50Hz, 230V]

	INDOOR	OUTDOOR TEMPERATURE (°CDB)																							
	EDB	-15			-10			-7			-5			0			7			10			15		
		°C	TC	SHC	PI	TC	SHC	PI	TC	SHC	PI	TC	SHC	PI	TC	SHC	PI	TC	SHC	PI	TC	SHC	PI	TC	SHC
RAM-33NP2B	16	2341	0	1110	2844	0	1140	3146	0	1189	3347	0	1221	3850	0	1367	4554	0	1385	4705	0	1422	4956	0	1493
	18	2353	0	1125	2858	0	1155	3162	0	1214	3364	0	1253	3869	0	1401	4577	0	1455	4729	0	1485	4991	0	1500
	20	2364	0	1140	2873	0	1170	3177	0	1233	3381	0	1275	3889	0	1425	4600	0	1500	4752	0	1500	5006	0	1500
	22	2376	0	1155	2887	0	1185	3193	0	1259	3398	0	1308	3908	0	1460	4609	0	1500	4762	0	1500	5016	0	1500
	24	2388	0	1170	2901	0	1200	3209	0	1284	3414	0	1340	3928	0	1494	4618	0	1500	4771	0	1500	5026	0	1500
1.5	16	1272	0	718	1546	0	737	1710	0	769	1819	0	790	2092	0	884	2475	0	895	2758	0	920	3183	0	965
	18	1279	0	728	1553	0	747	1718	0	785	1828	0	810	2103	0	906	2488	0	941	2748	0	960	2713	0	1011
	20	1285	0	737	1561	0	757	1727	0	797	1837	0	825	2113	0	922	2500	0	970	2583	0	970	2721	0	970
	22	1291	0	747	1569	0	766	1735	0	814	1846	0	846	2124	0	944	2505	0	970	2588	0	970	2726	0	970
	24	1298	0	757	1577	0	776	1744	0	830	1856	0	866	2135	0	966	2510	0	970	2593	0	970	2732	0	970
1.8	16	1628	0	718	1978	0	737	2188	0	769	2328	0	790	2678	0	884	3168	0	895	3530	0	920	4074	0	965
	18	1637	0	728	1988	0	747	2199	0	785	2340	0	810	2692	0	906	3184	0	941	3517	0	960	3472	0	970
	20	1645	0	737	1998	0	757	2210	0	797	2352	0	825	2705	0	922	3200	0	970	3306	0	970	3483	0	970
	22	1653	0	747	2008	0	766	2221	0	814	2364	0	846	2719	0	944	3206	0	970	3313	0	970	3490	0	970
	24	1661	0	757	2018	0	776	2232	0	830	2375	0	866	2732	0	966	3213	0	970	3319	0	970	3497	0	970
2.5	16	2137	0	829	2597	0	851	2872	0	887	3056	0	912	3515	0	1020	4158	0	1034	4633	0	1062	5347	0	1114
	18	2148	0	840	2610	0	862	2887	0	906	3071	0	935	3533	0	1046	4179	0	1086	4616	0	1109	4557	0	1120
	20	2159	0	851	2623	0	874	2901	0	921	3087	0	952	3551	0	1064	4200	0	1120	4339	0	1120	4571	0	1120
	22	2170	0	862	2636	0	885	2916	0	940	3102	0	977	3568	0	1090	4208	0	1120	4348	0	1120	4580	0	1120
	24	2180	0	874	2649	0	896	2930	0	958	3118	0	1000	3586	0	1116	4217	0	1120	4357	0	1120	4589	0	1120
1.5+1.5	16	2341	0	925	2844	0	950	3146	0	991	3347	0	1018	3850	0	1139	4554	0	1154	5074	0	1185	5856	0	1244
	18	2353	0	938	2858	0	963	3162	0	1011	3364	0	1044	3869	0	1168	4577	0	1213	5055	0	1238	4991	0	1250
	20	2364	0	950	2873	0	975	3177	0	1028	3381	0	1063	3889	0	1188	4600	0	1250	4752	0	1250	5006	0	1250
	22	2376	0	963	2887	0	988	3193	0	1049	3398	0	1090	3908	0	1216	4609	0	1250	4762	0	1250	5016	0	1250
	24	2388	0	975	2901	0	1000	3209	0	1070	3414	0	1116	3928	0	1245	4618	0	1250	4771	0	1250	5026	0	1250
1.5+1.8	16	2341	0	925	2844	0	950	3146	0	991	3347	0	1018	3850	0	1139	4554	0	1154	5074	0	1185	5856	0	1244
	18	2353	0	938	2858	0	963	3162	0	1011	3364	0	1044	3869	0	1168	4577	0	1213	5055	0	1238	4991	0	1250
	20	2364	0	950	2873	0	975	3177	0	1028	3381	0	1063	3889	0	1188	4600	0	1250	4752	0	1250	5006	0	1250
	22	2376	0	963	2887	0	988	3193	0	1049	3398	0	1090	3908	0	1216	4609	0	1250	4762	0	1250	5016	0	1250
	24	2388	0	975	2901	0	1000	3209	0	1070	3414	0	1116	3928	0	1245	4618	0	1250	4771	0	1250	5026	0	1250
1.5+2.5	16	2341	0	925	2844	0	950	3146	0	991	3347	0	1018	3850	0	1139	4554	0	1154	5074	0	1185	5856	0	1244
	18	2353	0	938	2858	0	963	3162	0	1011	3364	0	1044	3869	0	1168	4577	0	1213	5055	0	1238	4991	0	1250
	20	2364	0	950	2873	0	975	3177	0	1028	3381	0	1063	3889	0	1188	4600	0	1250	4752	0	1250	5006	0	1250
	22	2376	0	963	2887	0	988	3193	0	1049	3398	0	1090	3908	0	1216	4609	0	1250	4762	0	1250	5016	0	1250
	24	2388	0	975	2901	0	1000	3209	0	1070	3414	0	1116	3928	0	1245	4618	0	1250	4771	0	1250	5026	0	1250
1.8+1.8	16	2341	0	1110	2844	0	1140	3146	0	1189	3347	0	1221	3850	0	1367	4554	0	1385	5074	0	1422	5856	0	1493
	18	2353	0	1125	2858	0	1155	3162	0	1214	3364	0	1253	3869	0	1401	4577	0	1455	5055	0	1485	4991	0	1500
	20	2364	0	1140	2873	0	1170	3177	0	1233	3381	0	1275	3889	0	1425	4600	0	1500	4752	0	1500	5006	0	1500
	22	2376	0	1155	2887	0	1185	3193	0	1259	3398	0	1308	3908	0	1460	4609	0	1500	4762	0	1500	5016	0	1500
	24	2388	0	1170	2901	0	1200	3209	0	1284	3414	0	1340	3928	0	1494	4618	0	1500	4771	0	1500	5026	0	1500
1.8+2.5	16	2341	0	1110	2844	0	1140	3146	0	1189	3347	0	1221	3850	0	1367	4554	0	1385	5074	0	1422	5856	0	1493
	18	2353	0	1125	2858	0	1155	3162	0	1214	3364	0	1253	3869	0	1401	4577	0	1455	5055	0	1485	4991	0	1500
	20	2364	0	1140	2873	0	1170	3177	0	1233	3381	0	1275	3889	0	1425	4600	0	1500	4752	0	1500	5006	0	1500
	22	2376	0	1155	2887	0	1185	3193	0	1259	3398	0	1308	3908	0	1460	4609	0	1500	4762	0	1500	5016	0	1500
	24	2388	0	1170	2901	0	1200	3209	0	1284	3414	0	1340	3928	0	1494	4618	0	1500	4771	0	1500	5026	0	1500

	INDOOR		OUTDOOR TEMPERATURE (°CDB)																							
	EDB		-15			-10			-7			-5			0			7			10			15		
	°C	TC	SHC	PI	TC	SHC	PI	TC	SHC	PI	TC	SHC	PI	TC	SHC	PI	TC	SHC	PI	TC	SHC	PI	TC	SHC	PI	
2.5+2.5	16	2341	01110	2844	01140	3146	01189	3347	01221	3850	01367	4554	01385	5074	01422	5856	01493									
	18	2353	01125	2858	01155	3162	01214	3364	01253	3869	01401	4577	01455	5055	01485	4991	01500									
	20	2364	01140	2873	01170	3177	01233	3381	01275	3889	01425	4600	01500	4752	01500	5006	01500									
	22	2376	01155	2887	01185	3193	01259	3398	01308	3908	01460	4609	01500	4762	01500	5016	01500									
	24	2388	01170	2901	01200	3209	01284	3414	01340	3928	01494	4618	01500	4771	01500	5026	01500									

EWB : Evaporator Wet Bulb temperature (°C)

TC : Total Capacity (W)

EDB : Evaporator Dry Bulb temperature (°C)

SHC : Sensible Heating Capacity (W)

(°CDB) : Outdoor Unit Inlet Air Dry Temperature (°C)

PI : Power Input

3.2.2. RAM-40NP2B

COOLING [50Hz, 230V]

	INDOOR		OUTDOOR TEMPERATURE (°CDB)																				
	EWB	EDB	-10			21			27			32			35			40			43		
	°C	°C	TC	SHC	PI	TC	SHC	PI	TC	SHC	PI	TC	SHC	PI	TC	SHC	PI	TC	SHC	PI	TC	SHC	PI
RAM-40NP2B	12.0	18	3275	2857	617	3709	3809	732	3433	3516	863	3280	3379	966	3160	3230	1008	2960	3045	1082	2840	2896	1124
	14.0	20	3275	2857	617	3985	3809	732	3709	3553	873	3520	3379	977	3400	3267	1019	3160	3045	1092	3040	2933	1145
	16.0	22	3275	3040	626	4262	3809	742	3946	3553	883	3760	3379	987	3640	3267	1040	3400	3045	1113	3280	2933	1155
	18.0	25	3512	3260	636	4538	4139	751	4183	3846	893	4000	3676	998	3840	3527	1040	3600	3304	1124	3440	3156	1166
	19.0	27	3630	3370	645	4696	4359	761	4341	4029	903	4160	3861	1008	4000	3713	1050	3760	3490	1124	3600	3342	1166
	22.0	30	4025	3333	645	5209	4322	761	4814	3992	903	4600	3824	1019	4440	3676	1061	4000	3564	1166	3720	3490	1229
	24.0	32	4301	3333	655	5564	4322	771	5130	3992	914	4920	3824	1019	4720	3676	1071	4160	3639	1197	3800	3601	1271
1.5	12.0	18	1228	1071	223	1391	1428	265	1287	1319	312	1230	1267	350	1185	1211	365	1110	1142	391	1065	1086	407
	14.0	20	1228	1071	223	1495	1428	265	1391	1332	316	1320	1267	353	1275	1225	369	1185	1142	395	1140	1100	414
	16.0	22	1228	1140	227	1598	1428	268	1480	1332	320	1410	1267	357	1365	1225	376	1275	1142	403	1230	1100	418
	18.0	25	1317	1222	230	1702	1552	272	1569	1442	323	1500	1378	361	1440	1323	376	1350	1239	407	1290	1183	422
	19.0	27	1361	1264	234	1761	1634	275	1628	1511	327	1560	1448	365	1500	1392	380	1410	1309	407	1350	1253	422
	22.0	30	1509	1250	234	1953	1621	275	1805	1497	327	1725	1434	369	1665	1378	384	1500	1337	422	1395	1309	445
	24.0	32	1613	1250	237	2086	1621	279	1924	1497	331	1845	1434	369	1770	1378	388	1560	1364	433	1425	1351	460
1.8	12.0	18	1474	1286	267	1669	1714	317	1545	1582	374	1476	1520	419	1422	1454	437	1332	1370	469	1278	1303	487
	14.0	20	1474	1286	267	1793	1714	317	1669	1599	378	1584	1520	423	1530	1470	441	1422	1370	473	1368	1320	496
	16.0	22	1474	1368	271	1918	1714	321	1776	1599	383	1692	1520	428	1638	1470	450	1530	1370	482	1476	1320	501
	18.0	25	1580	1467	276	2042	1862	326	1882	1731	387	1800	1654	432	1728	1587	450	1620	1487	487	1548	1420	505
	19.0	27	1634	1516	280	2113	1961	330	1953	1813	391	1872	1738	437	1800	1671	455	1692	1571	487	1620	1504	505
	22.0	30	1811	1500	280	2344	1945	330	2166	1797	391	2070	1721	441	1998	1654	460	1800	1604	505	1674	1571	532
	24.0	32	1935	1500	284	2504	1945	334	2308	1797	396	2214	1721	441	2124	1654	464	1872	1637	519	1710	1621	551
2.5	12.0	18	2047	1786	382	2318	2381	453	2146	2198	534	2050	2112	598	1975	2019	624	1850	1903	670	1775	1810	696
	14.0	20	2047	1786	382	2491	2381	453	2318	2220	540	2200	2112	605	2125	2042	631	1975	1903	676	1900	1833	709
	16.0	22	2047	1900	388	2664	2381	459	2466	2220	547	2350	2112	611	2275	2042	644	2125	1903	689	2050	1833	715
	18.0	25	2195	2037	394	2836	2587	465	2614	2404	553	2500	2297	618	2400	2205	644	2250	2065	696	2150	1972	722
	19.0	27	2269	2106	400	2935	2724	471	2713	2518	559	2600	2413	624	2500	2321	650	2350	2181	696	2250	2088	722
	22.0	30	2516	2083	400	3255	2701	471	3009	2495	559	2875	2390	631	2775	2297	657	2500	2228	722	2325	2181	761
	24.0	32	2688	2083	406	3477	2701	477	3206	2495	566	3075	2390	631	2950	2297	663	2600	2274	741	2375	2251	787
3.5	12.0	18	2866	2500	575	3246	3333	683	3004	3077	805	2870	2956	902	2765	2826	941	2590	2664	1009	2485	2534	1049
	14.0	20	2866	2500	575	3487	3333	683	3246	3109	815	3080	2956	911	2975	2859	951	2765	2664	1019	2660	2567	1068
	16.0	22	2866	2660	584	3729	3333	692	3453	3109	824	3290	2956	921	3185	2859	970	2975	2664	1039	2870	2567	1078
	18.0	25	3073	2852	593	3971	3621	701	3660	3365	834	3500	3216	931	3360	3086	970	3150	2891	1049	3010	2761	1088
	19.0	27	3176	2948	602	4109	3814	710	3798	3525	843	3640	3379	941	3500	3249	980	3290	3054	1049	3150	2924	1088
	22.0	30	3522	2916	602	4558	3782	710	4212	3493	843	4025	3346	951	3885	3216	990	3500	3119	1088	3255	3054	1147
	24.0	32	3763	2916	611	4868	3782	719	4489	3493	853	4305	3346	951	4130	3216	1000	3640	3184	1117	3325	3151	1186
1.5+1.5	12.0	18	2456	2143	481	2782	2857	572	2575	2637	674	2460	2534	754	2370	2423	787	2220	2283	845	2130	2172	877
	14.0	20	2456	2143	481	2989	2857	572	2782	2665	682	2640	2534	763	2550	2450	795	2370	2283	853	2280	2200	894
	16.0	22	2456	2280	489	3196	2857	579	2959	2665	690	2820	2534	771	2730	2450	812	2550	2283	869	2460	2200	902
	18.0	25	2634	2445	497	3403	3104	587	3137	2884	698	3000	2757	779	2880	2645	812	2700	2478	877	2580	2367	910
	19.0	27	2723	2527	504	3522	3269	594	3255	3022	706	3120	2896	787	3000	2785	820	2820	2618	877	2700	2506	910
	22.0	30	3019	2500	504	3906	3241	594	3611	2994	706	3450	2868	795	3330	2757	828	3000	2673	910	2790	2618	959
	24.0	32	3226	2500	512	4173	3241	602	3847	2994	713	3690	2868	795	3540	2757	836	3120	2729	935	2850	2701	992

	INDOOR		OUTDOOR TEMPERATURE (°CDB)																				
	EWB	EDB	-10			21			27			32			35			40			43		
	°C	°C	TC	SHC	PI	TC	SHC	PI	TC	SHC	PI	TC	SHC	PI	TC	SHC	PI	TC	SHC	PI	TC	SHC	PI
1.5+1.8	12.0	18	2702	2357	511	3060	3143	607	2832	2901	715	2706	2787	800	2607	2665	835	2442	2512	896	2343	2389	931
	14.0	20	2702	2357	511	3288	3143	607	3060	2931	723	2904	2787	809	2805	2696	844	2607	2512	905	2508	2420	948
	16.0	22	2702	2508	519	3516	3143	615	3255	2931	732	3102	2787	818	3003	2696	861	2805	2512	922	2706	2420	957
	18.0	25	2897	2689	527	3744	3415	623	3451	3173	740	3300	3032	827	3168	2910	861	2970	2726	931	2838	2604	966
	19.0	27	2995	2780	535	3874	3596	631	3581	3324	749	3432	3186	835	3300	3063	870	3102	2879	931	2970	2757	966
	22.0	30	3321	2750	535	4297	3566	631	3972	3294	749	3795	3155	844	3663	3032	879	3300	2941	966	3069	2879	1018
	24.0	32	3548	2750	543	4590	3566	639	4232	3294	757	4059	3155	844	3894	3032	887	3432	3002	992	3135	2971	1053
1.5+2.5	12.0	18	3275	2857	617	3709	3809	732	3433	3516	863	3280	3379	966	3160	3230	1008	2960	3045	1082	2840	2896	1124
	14.0	20	3275	2857	617	3985	3809	732	3709	3553	873	3520	3379	977	3400	3267	1019	3160	3045	1092	3040	2933	1145
	16.0	22	3275	3040	626	4262	3809	742	3946	3553	883	3760	3379	987	3640	3267	1040	3400	3045	1113	3280	2933	1155
	18.0	25	3512	3260	636	4538	4139	751	4183	3846	893	4000	3676	998	3840	3527	1040	3600	3304	1124	3440	3156	1166
	19.0	27	3630	3370	645	4696	4359	761	4341	4029	903	4160	3861	1008	4000	3713	1050	3760	3490	1124	3600	3342	1166
	22.0	30	4025	3333	645	5209	4322	761	4814	3992	903	4600	3824	1019	4440	3676	1061	4000	3564	1166	3720	3490	1229
	24.0	32	4301	3333	655	5564	4322	771	5130	3992	914	4920	3824	1019	4720	3676	1071	4160	3639	1197	3800	3601	1271
1.5+3.5	12.0	18	3275	2857	617	3709	3809	732	3433	3516	863	3280	3379	966	3160	3230	1008	2960	3045	1082	2840	2896	1124
	14.0	20	3275	2857	617	3985	3809	732	3709	3553	873	3520	3379	977	3400	3267	1019	3160	3045	1092	3040	2933	1145
	16.0	22	3275	3040	626	4262	3809	742	3946	3553	883	3760	3379	987	3640	3267	1040	3400	3045	1113	3280	2933	1155
	18.0	25	3512	3260	636	4538	4139	751	4183	3846	893	4000	3676	998	3840	3527	1040	3600	3304	1124	3440	3156	1166
	19.0	27	3630	3370	645	4696	4359	761	4341	4029	903	4160	3861	1008	4000	3713	1050	3760	3490	1124	3600	3342	1166
	22.0	30	4025	3333	645	5209	4322	761	4814	3992	903	4600	3824	1019	4440	3676	1061	4000	3564	1166	3720	3490	1229
	24.0	32	4301	3333	655	5564	4322	771	5130	3992	914	4920	3824	1019	4720	3676	1071	4160	3639	1197	3800	3601	1271
1.8+1.8	12.0	18	2948	2571	568	3338	3428	675	3090	3165	795	2952	3041	891	2844	2907	929	2664	2740	997	2556	2606	1036
	14.0	20	2948	2571	568	3587	3428	675	3338	3198	805	3168	3041	900	3060	2941	939	2844	2740	1007	2736	2640	1055
	16.0	22	2948	2736	577	3835	3428	684	3551	3198	814	3384	3041	910	3276	2941	958	3060	2740	1026	2952	2640	1065
	18.0	25	3161	2934	586	4084	3725	693	3764	3461	824	3600	3308	920	3456	3174	958	3240	2974	1036	3096	2840	1074
	19.0	27	3267	3033	595	4226	3923	702	3906	3626	833	3744	3475	929	3600	3342	968	3384	3141	1036	3240	3007	1074
	22.0	30	3622	3000	595	4688	3890	702	4333	3593	833	4140	3442	939	3996	3308	978	3600	3208	1074	3348	3141	1133
	24.0	32	3871	3000	604	5007	3890	710	4617	3593	842	4428	3442	939	4248	3308	987	3744	3275	1104	3420	3241	1171
1.8+2.5	12.0	18	3275	2857	617	3709	3809	732	3433	3516	863	3280	3379	966	3160	3230	1008	2960	3045	1082	2840	2896	1124
	14.0	20	3275	2857	617	3985	3809	732	3709	3553	873	3520	3379	977	3400	3267	1019	3160	3045	1092	3040	2933	1145
	16.0	22	3275	3040	626	4262	3809	742	3946	3553	883	3760	3379	987	3640	3267	1040	3400	3045	1113	3280	2933	1155
	18.0	25	3512	3260	636	4538	4139	751	4183	3846	893	4000	3676	998	3840	3527	1040	3600	3304	1124	3440	3156	1166
	19.0	27	3630	3370	645	4696	4359	761	4341	4029	903	4160	3861	1008	4000	3713	1050	3760	3490	1124	3600	3342	1166
	22.0	30	4025	3333	645	5209	4322	761	4814	3992	903	4600	3824	1019	4440	3676	1061	4000	3564	1166	3720	3490	1229
	24.0	32	4301	3333	655	5564	4322	771	5130	3992	914	4920	3824	1019	4720	3676	1071	4160	3639	1197	3800	3601	1271
1.8+3.5	12.0	18	3275	2857	617	3709	3809	732	3433	3516	863	3280	3379	966	3160	3230	1008	2960	3045	1082	2840	2896	1124
	14.0	20	3275	2857	617	3985	3809	732	3709	3553	873	3520	3379	977	3400	3267	1019	3160	3045	1092	3040	2933	1145
	16.0	22	3275	3040	626	4262	3809	742	3946	3553	883	3760	3379	987	3640	3267	1040	3400	3045	1113	3280	2933	1155
	18.0	25	3512	3260	636	4538	4139	751	4183	3846	893	4000	3676	998	3840	3527	1040	3600	3304	1124	3440	3156	1166
	19.0	27	3630	3370	645	4696	4359	761	4341	4029	903	4160	3861	1008	4000	3713	1050	3760	3490	1124	3600	3342	1166
	22.0	30	4025	3333	645	5209	4322	761	4814	3992	903	4600	3824	1019	4440	3676	1061	4000	3564	1166	3720	3490	1229
	24.0	32	4301	3333	655	5564	4322	771	5130	3992	914	4920	3824	1019	4720	3676	1071	4160	3639	1197	3800	3601	1271

	INDOOR		OUTDOOR TEMPERATURE (°CDB)																							
	EWB	EDB	-10			21			27			32			35			40			43					
	°C	°C	TC	SHC	PI	TC	SHC	PI	TC	SHC	PI	TC	SHC	PI	TC	SHC	PI	TC	SHC	PI	TC	SHC	PI			
2.5+2.5	12.0	18	3275	2857	617	3709	3809	732	3433	3516	863	3280	3379	966	3160	3230	1008	2960	3045	1082	2840	2896	1124			
	14.0	20	3275	2857	617	3985	3809	732	3709	3553	873	3520	3379	977	3400	3267	1019	3160	3045	1092	3040	2933	1145			
	16.0	22	3275	3040	626	4262	3809	742	3946	3553	883	3760	3379	987	3640	3267	1040	3400	3045	1113	3280	2933	1155			
	18.0	25	3512	3260	636	4538	4139	751	4183	3846	893	4000	3676	998	3840	3527	1040	3600	3304	1124	3440	3156	1166			
	19.0	27	3630	3370	645	4696	4359	761	4341	4029	903	4160	3861	1008	4000	3713	1050	3760	3490	1124	3600	3342	1166			
	22.0	30	4025	3333	645	5209	4322	761	4814	3992	903	4600	3824	1019	4440	3676	1061	4000	3564	1166	3720	3490	1229			
	24.0	32	4301	3333	655	5564	4322	771	5130	3992	914	4920	3824	1019	4720	3676	1071	4160	3639	1197	3800	3601	1271			
2.5+3.5	12.0	18	3275	2857	617	3709	3809	732	3433	3516	863	3280	3379	966	3160	3230	1008	2960	3045	1082	2840	2896	1124			
	14.0	20	3275	2857	617	3985	3809	732	3709	3553	873	3520	3379	977	3400	3267	1019	3160	3045	1092	3040	2933	1145			
	16.0	22	3275	3040	626	4262	3809	742	3946	3553	883	3760	3379	987	3640	3267	1040	3400	3045	1113	3280	2933	1155			
	18.0	25	3512	3260	636	4538	4139	751	4183	3846	893	4000	3676	998	3840	3527	1040	3600	3304	1124	3440	3156	1166			
	19.0	27	3630	3370	645	4696	4359	761	4341	4029	903	4160	3861	1008	4000	3713	1050	3760	3490	1124	3600	3342	1166			
	22.0	30	4025	3333	645	5209	4322	761	4814	3992	903	4600	3824	1019	4440	3676	1061	4000	3564	1166	3720	3490	1229			
	24.0	32	4301	3333	655	5564	4322	771	5130	3992	914	4920	3824	1019	4720	3676	1071	4160	3639	1197	3800	3601	1271			

EWB : Evaporator Wet Bulb temperature (°C)

TC : Total Capacity (W)

EDB : Evaporator Dry Bulb temperature (°C)

SHC : Sensible Heating Capacity (W)

(°CDB) : Outdoor Unit Inlet Air Dry Temperature (°C)

PI : Power Input

### HEATING [50Hz, 230V]

	INDOOR	OUTDOOR TEMPERATURE (°CDB)																							
	EDB	-15			-10			-7			-5			0			7			10			15		
		°C	TC	SHC	PI	TC	SHC	PI	TC	SHC	PI	TC	SHC	PI	TC	SHC	PI	TC	SHC	PI	TC	SHC	PI	TC	SHC
RAM-40NP2B	16	2799	0	1110	3400	0	1140	3761	0	1189	4002	0	1221	4603	0	1367	5445	0	1385	5625	0	1422	5926	0	1493
	18	2813	0	1125	3417	0	1155	3780	0	1214	4022	0	1253	4626	0	1401	5473	0	1455	5654	0	1485	5968	0	1500
	20	2827	0	1140	3435	0	1170	3799	0	1233	4042	0	1275	4650	0	1425	5500	0	1500	5682	0	1500	5986	0	1500
	22	2841	0	1155	3452	0	1185	3818	0	1259	4062	0	1308	4673	0	1460	5511	0	1500	5694	0	1500	5998	0	1500
	24	2855	0	1170	3469	0	1200	3837	0	1284	4082	0	1340	4696	0	1494	5522	0	1500	5705	0	1500	6010	0	1500
1.5	16	1628	0	718	1978	0	737	2188	0	769	2328	0	790	2678	0	884	3168	0	895	3530	0	920	4074	0	965
	18	1637	0	728	1988	0	747	2199	0	785	2340	0	810	2692	0	906	3184	0	941	3517	0	960	3472	0	1011
	20	1645	0	737	1998	0	757	2210	0	797	2352	0	825	2705	0	922	3200	0	970	3306	0	970	3483	0	970
	22	1653	0	747	2008	0	766	2221	0	814	2364	0	846	2719	0	944	3206	0	970	3313	0	970	3490	0	970
	24	1661	0	757	2018	0	776	2232	0	830	2375	0	866	2732	0	966	3213	0	970	3319	0	970	3497	0	970
1.8	16	1628	0	718	1978	0	737	2188	0	769	2328	0	790	2678	0	884	3168	0	895	3530	0	920	4074	0	965
	18	1637	0	728	1988	0	747	2199	0	785	2340	0	810	2692	0	906	3184	0	941	3517	0	960	3472	0	970
	20	1645	0	737	1998	0	757	2210	0	797	2352	0	825	2705	0	922	3200	0	970	3306	0	970	3483	0	970
	22	1653	0	747	2008	0	766	2221	0	814	2364	0	846	2719	0	944	3206	0	970	3313	0	970	3490	0	970
	24	1661	0	757	2018	0	776	2232	0	830	2375	0	866	2732	0	966	3213	0	970	3319	0	970	3497	0	970
2.5	16	2239	0	829	2720	0	851	3009	0	887	3201	0	912	3682	0	1020	4356	0	1034	4853	0	1062	5601	0	1114
	18	2250	0	840	2734	0	862	3024	0	906	3217	0	935	3701	0	1046	4378	0	1086	4836	0	1109	4774	0	1120
	20	2262	0	851	2748	0	874	3039	0	921	3234	0	952	3720	0	1064	4400	0	1120	4546	0	1120	4789	0	1120
	22	2273	0	862	2761	0	885	3054	0	940	3250	0	977	3738	0	1090	4409	0	1120	4555	0	1120	4798	0	1120
	24	2284	0	874	2775	0	896	3070	0	958	3266	0	1000	3757	0	1116	4418	0	1120	4564	0	1120	4808	0	1120
3.5	16	2544	0	962	3091	0	988	3419	0	1030	3638	0	1058	4185	0	1184	4950	0	1200	5515	0	1232	6365	0	1294
	18	2557	0	975	3107	0	1001	3436	0	1052	3656	0	1086	4206	0	1214	4975	0	1261	5495	0	1287	5425	0	1300
	20	2570	0	988	3122	0	1014	3454	0	1069	3675	0	1105	4227	0	1235	5000	0	1300	5166	0	1300	5442	0	1300
	22	2583	0	1001	3138	0	1027	3471	0	1091	3693	0	1134	4248	0	1265	5010	0	1300	5176	0	1300	5453	0	1300
	24	2596	0	1014	3154	0	1040	3488	0	1113	3711	0	1161	4269	0	1295	5020	0	1300	5186	0	1300	5464	0	1300
1.5+1.5	16	2341	0	703	2844	0	722	3146	0	753	3347	0	773	3850	0	865	4554	0	877	5074	0	901	5856	0	945
	18	2353	0	713	2858	0	732	3162	0	769	3364	0	793	3869	0	887	4577	0	922	5055	0	941	4991	0	950
	20	2364	0	722	2873	0	741	3177	0	781	3381	0	808	3889	0	903	4600	0	950	4752	0	950	5006	0	950
	22	2376	0	732	2887	0	751	3193	0	797	3398	0	828	3908	0	924	4609	0	950	4762	0	950	5016	0	950
	24	2388	0	741	2901	0	760	3209	0	813	3414	0	848	3928	0	946	4618	0	950	4771	0	950	5026	0	950
1.5+1.8	16	2544	0	755	3091	0	775	3419	0	808	3638	0	830	4185	0	929	4950	0	941	5515	0	967	6365	0	1015
	18	2557	0	765	3107	0	785	3436	0	825	3656	0	852	4206	0	953	4975	0	989	5495	0	1010	5425	0	1020
	20	2570	0	775	3122	0	796	3454	0	838	3675	0	867	4227	0	969	5000	0	1020	5166	0	1020	5442	0	1020
	22	2583	0	785	3138	0	806	3471	0	856	3693	0	889	4248	0	992	5010	0	1020	5176	0	1020	5453	0	1020
	24	2596	0	796	3154	0	816	3488	0	873	3711	0	911	4269	0	1016	5020	0	1020	5186	0	1020	5464	0	1020
1.5+2.5	16	2799	0	1110	3400	0	1140	3761	0	1189	4002	0	1221	4603	0	1367	5445	0	1385	6067	0	1422	7002	0	1493
	18	2813	0	1125	3417	0	1155	3780	0	1214	4022	0	1253	4626	0	1401	5473	0	1455	6045	0	1485	5968	0	1500
	20	2827	0	1140	3435	0	1170	3799	0	1233	4042	0	1275	4650	0	1425	5500	0	1500	5682	0	1500	5986	0	1500
	22	2841	0	1155	3452	0	1185	3818	0	1259	4062	0	1308	4673	0	1460	5511	0	1500	5694	0	1500	5998	0	1500
	24	2855	0	1170	3469	0	1200	3837	0	1284	4082	0	1340	4696	0	1494	5522	0	1500	5705	0	1500	6010	0	1500
1.5+3.5	16	2799	0	1110	3400	0	1140	3761	0	1189	4002	0	1221	4603	0	1367	5445	0	1385	6067	0	1422	7002	0	1493
	18	2813	0	1125	3417	0	1155	3780	0	1214	4022	0	1253	4626	0	1401	5473	0	1455	6045	0	1485	5968	0	1500
	20	2827	0	1140	3435	0	1170	3799	0	1233	4042	0	1275	4650	0	1425	5500	0	1500	5682	0	1500	5986	0	1500
	22	2841	0	1155	3452	0	1185	3818	0	1259	4062	0	1308	4673	0	1460	5511	0	1500	5694	0	1500	5998	0	1500
	24	2855	0	1170	3469	0	1200	3837	0	1284	4082	0	1340	4696	0	1494	5522	0	1500	5705	0	1500	6010	0	1500

	INDOOR	OUTDOOR TEMPERATURE (°CDB)																								
	EDB	-15			-10			-7			-5			0			7			10			15			
	°C	TC	SHC	PI	TC	SHC	PI	TC	SHC	PI	TC	SHC	PI	TC	SHC	PI	TC	SHC	PI	TC	SHC	PI	TC	SHC	PI	
1.8+1.8	16	2799	01110	3400	01140	3761	01189	4002	01221	4603	01367	5445	01385	6067	01422	7002	01493									
	18	2813	01125	3417	01155	3780	01214	4022	01253	4626	01401	5473	01455	6045	01485	5968	01500									
	20	2827	01140	3435	01170	3799	01233	4042	01275	4650	01425	5500	01500	5682	01500	5986	01500									
	22	2841	01155	3452	01185	3818	01259	4062	01308	4673	01460	5511	01500	5694	01500	5998	01500									
	24	2855	01170	3469	01200	3837	01284	4082	01340	4696	01494	5522	01500	5705	01500	6010	01500									
1.8+2.5	16	2799	01110	3400	01140	3761	01189	4002	01221	4603	01367	5445	01385	6067	01422	7002	01493									
	18	2813	01125	3417	01155	3780	01214	4022	01253	4626	01401	5473	01455	6045	01485	5968	01500									
	20	2827	01140	3435	01170	3799	01233	4042	01275	4650	01425	5500	01500	5682	01500	5986	01500									
	22	2841	01155	3452	01185	3818	01259	4062	01308	4673	01460	5511	01500	5694	01500	5998	01500									
	24	2855	01170	3469	01200	3837	01284	4082	01340	4696	01494	5522	01500	5705	01500	6010	01500									
1.8+3.5	16	2799	01110	3400	01140	3761	01189	4002	01221	4603	01367	5445	01385	6067	01422	7002	01493									
	18	2813	01125	3417	01155	3780	01214	4022	01253	4626	01401	5473	01455	6045	01485	5968	01500									
	20	2827	01140	3435	01170	3799	01233	4042	01275	4650	01425	5500	01500	5682	01500	5986	01500									
	22	2841	01155	3452	01185	3818	01259	4062	01308	4673	01460	5511	01500	5694	01500	5998	01500									
	24	2855	01170	3469	01200	3837	01284	4082	01340	4696	01494	5522	01500	5705	01500	6010	01500									
2.5+2.5	16	2799	01110	3400	01140	3761	01189	4002	01221	4603	01367	5445	01385	6067	01422	7002	01493									
	18	2813	01125	3417	01155	3780	01214	4022	01253	4626	01401	5473	01455	6045	01485	5968	01500									
	20	2827	01140	3435	01170	3799	01233	4042	01275	4650	01425	5500	01500	5682	01500	5986	01500									
	22	2841	01155	3452	01185	3818	01259	4062	01308	4673	01460	5511	01500	5694	01500	5998	01500									
	24	2855	01170	3469	01200	3837	01284	4082	01340	4696	01494	5522	01500	5705	01500	6010	01500									
2.5+3.5	16	2799	01110	3400	01140	3761	01189	4002	01221	4603	01367	5445	01385	6067	01422	7002	01493									
	18	2813	01125	3417	01155	3780	01214	4022	01253	4626	01401	5473	01455	6045	01485	5968	01500									
	20	2827	01140	3435	01170	3799	01233	4042	01275	4650	01425	5500	01500	5682	01500	5986	01500									
	22	2841	01155	3452	01185	3818	01259	4062	01308	4673	01460	5511	01500	5694	01500	5998	01500									
	24	2855	01170	3469	01200	3837	01284	4082	01340	4696	01494	5522	01500	5705	01500	6010	01500									

EWB : Evaporator Wet Bulb temperature (°C)

TC : Total Capacity (W)

EDB : Evaporator Dry Bulb temperature (°C)

SHC : Sensible Heating Capacity (W)

(°CDB) : Outdoor Unit Inlet Air Dry Temperature (°C)

PI : Power Input

3.2.3. RAM-53NP2B

COOLING [50Hz, 230V]

	INDOOR		OUTDOOR TEMPERATURE (°CDB)																				
	EWB	EDB	-10			21			27			32			35			40			43		
	°C	°C	TC	SHC	PI	TC	SHC	PI	TC	SHC	PI	TC	SHC	PI	TC	SHC	PI	TC	SHC	PI	TC	SHC	PI
RAM-53NP2B	12.0	18	4091	3125	858	4634	4167	1019	4289	3846	1201	4346	3920	1426	4187	3748	1488	3922	3533	1597	3763	3360	1659
	14.0	20	4091	3125	858	4979	4167	1019	4634	3887	1215	4664	3920	1442	4505	3791	1504	4187	3533	1612	4028	3403	1690
	16.0	22	4091	3326	871	5324	4167	1032	4929	3887	1229	4982	3920	1457	4823	3791	1535	4505	3533	1643	4346	3403	1705
	18.0	25	4387	3566	885	5669	4528	1046	5225	4207	1243	5300	4265	1473	5088	4093	1535	4770	3834	1659	4558	3662	1721
	19.0	27	4535	3686	898	5866	4768	1059	5422	4407	1257	5512	4480	1488	5300	4308	1550	4982	4050	1659	4770	3877	1721
	22.0	30	5028	3646	898	6507	4728	1059	6014	4367	1257	6095	4437	1504	5883	4265	1566	5300	4136	1721	4929	4050	1814
	24.0	32	5373	3646	912	6950	4728	1073	6408	4367	1272	6519	4437	1504	6254	4265	1581	5512	4222	1767	5035	4179	1876
1.5	12.0	18	1158	794	238	1311	1059	283	1214	978	333	1230	996	396	1185	953	413	1110	898	443	1065	854	460
	14.0	20	1158	794	238	1409	1059	283	1311	988	337	1320	996	400	1275	964	417	1185	898	447	1140	865	469
	16.0	22	1158	845	242	1507	1059	286	1395	988	341	1410	996	404	1365	964	426	1275	898	456	1230	865	473
	18.0	25	1242	906	245	1604	1151	290	1479	1069	345	1500	1084	409	1440	1040	426	1350	975	460	1290	931	477
	19.0	27	1284	937	249	1660	1212	294	1535	1120	349	1560	1139	413	1500	1095	430	1410	1029	460	1350	986	477
	22.0	30	1423	927	249	1842	1202	294	1702	1110	349	1725	1128	417	1665	1084	434	1500	1051	477	1395	1029	503
	24.0	32	1521	927	253	1967	1202	298	1814	1110	353	1845	1128	417	1770	1084	439	1560	1073	490	1425	1062	520
1.8	12.0	18	1390	953	274	1574	1271	325	1456	1173	384	1476	1196	455	1422	1143	475	1332	1077	510	1278	1025	530
	14.0	20	1390	953	274	1691	1271	325	1574	1185	388	1584	1196	460	1530	1156	480	1422	1077	515	1368	1038	540
	16.0	22	1390	1014	278	1808	1271	330	1674	1185	393	1692	1196	465	1638	1156	490	1530	1077	525	1476	1038	545
	18.0	25	1490	1088	283	1925	1381	334	1775	1283	397	1800	1301	470	1728	1248	490	1620	1169	530	1548	1117	549
	19.0	27	1540	1124	287	1992	1454	338	1842	1344	402	1872	1367	475	1800	1314	495	1692	1235	530	1620	1183	549
	22.0	30	1708	1112	287	2210	1442	338	2042	1332	402	2070	1353	480	1998	1301	500	1800	1261	549	1674	1235	579
	24.0	32	1825	1112	291	2361	1442	343	2176	1332	406	2214	1353	480	2124	1301	505	1872	1288	564	1710	1275	599
2.5	12.0	18	1930	1324	388	2186	1765	460	2023	1629	542	2050	1661	644	1975	1588	672	1850	1497	721	1775	1424	749
	14.0	20	1930	1324	388	2348	1765	460	2186	1646	549	2200	1661	651	2125	1606	679	1975	1497	728	1900	1442	763
	16.0	22	1930	1409	394	2511	1765	466	2325	1646	555	2350	1661	658	2275	1606	693	2125	1497	742	2050	1442	770
	18.0	25	2069	1511	400	2674	1918	472	2465	1782	561	2500	1807	665	2400	1734	693	2250	1624	749	2150	1551	777
	19.0	27	2139	1562	406	2767	2020	478	2558	1867	568	2600	1898	672	2500	1825	700	2350	1716	749	2250	1643	777
	22.0	30	2372	1545	406	3069	2003	478	2837	1850	568	2875	1880	679	2775	1807	707	2500	1752	777	2325	1716	819
	24.0	32	2534	1545	412	3279	2003	484	3023	1850	574	3075	1880	679	2950	1807	714	2600	1789	798	2375	1770	847
3.5	12.0	18	2702	1854	570	3060	2471	677	2832	2281	798	2870	2325	948	2765	2223	989	2590	2095	1061	2485	1993	1102
	14.0	20	2702	1854	570	3288	2471	677	3060	2305	807	3080	2325	958	2975	2248	999	2765	2095	1071	2660	2018	1123
	16.0	22	2702	1972	579	3516	2471	686	3255	2305	817	3290	2325	968	3185	2248	1020	2975	2095	1092	2870	2018	1133
	18.0	25	2897	2115	588	3744	2685	695	3451	2495	826	3500	2529	979	3360	2427	1020	3150	2274	1102	3010	2172	1143
	19.0	27	2995	2186	597	3874	2828	704	3581	2614	836	3640	2657	989	3500	2555	1030	3290	2402	1102	3150	2300	1143
	22.0	30	3320	2162	597	4297	2804	704	3971	2590	836	4025	2632	999	3885	2529	1040	3500	2453	1143	3255	2402	1205
	24.0	32	3548	2162	606	4590	2804	713	4232	2590	845	4305	2632	999	4130	2529	1051	3640	2504	1174	3325	2478	1246
5.0	12.0	18	3860	2648	836	4371	3531	993	4046	3259	1170	4100	3322	1389	3950	3176	1450	3700	2993	1555	3550	2847	1616
	14.0	20	3860	2648	836	4697	3531	993	4371	3293	1184	4400	3322	1404	4250	3212	1465	3950	2993	1570	3800	2884	1646
	16.0	22	3860	2818	849	5022	3531	1006	4650	3293	1197	4700	3322	1419	4550	3212	1495	4250	2993	1601	4100	2884	1661
	18.0	25	4139	3021	862	5348	3836	1019	4929	3565	1211	5000	3614	1435	4800	3468	1495	4500	3249	1616	4300	3103	1676
	19.0	27	4278	3123	875	5534	4040	1032	5115	3734	1225	5200	3796	1450	5000	3650	1510	4700	3431	1616	4500	3285	1676
	22.0	30	4743	3089	875	6138	4006	1032	5673	3700	1225	5750	3760	1465	5550	3614	1525	5000	3504	1676	4650	3431	1767
	24.0	32	5069	3089	888	6557	4006	1045	6045	3700	1239	6150	3760	1465	5900	3614	1540	5200	3577	1721	4750	3541	1827



	INDOOR		OUTDOOR TEMPERATURE (°CDB)																				
	EWB	EDB	-10			21			27			32			35			40			43		
	°C	°C	TC	SHC	PI	TC	SHC	PI	TC	SHC	PI	TC	SHC	PI	TC	SHC	PI	TC	SHC	PI	TC	SHC	PI
1.5+1.5	12.0	18	2316	1589	509	2623	2118	605	2427	1955	713	2460	1993	846	2370	1905	883	2220	1796	948	2130	1708	984
	14.0	20	2316	1589	509	2818	2118	605	2623	1976	721	2640	1993	856	2550	1927	892	2370	1796	957	2280	1730	1003
	16.0	22	2316	1691	517	3013	2118	613	2790	1976	730	2820	1993	865	2730	1927	911	2550	1796	975	2460	1730	1012
	18.0	25	2483	1813	525	3209	2302	621	2958	2139	738	3000	2168	874	2880	2081	911	2700	1949	984	2580	1862	1021
	19.0	27	2567	1874	533	3320	2424	629	3069	2241	746	3120	2278	883	3000	2190	920	2820	2059	984	2700	1971	1021
	22.0	30	2846	1854	533	3683	2404	629	3404	2220	746	3450	2256	892	3330	2168	929	3000	2102	1021	2790	2059	1076
	24.0	32	3041	1854	541	3934	2404	637	3627	2220	755	3690	2256	892	3540	2168	938	3120	2146	1049	2850	2124	1113
1.5+1.8	12.0	18	2547	1748	565	2885	2330	671	2670	2151	790	2706	2192	938	2607	2096	979	2442	1975	1051	2343	1879	1091
	14.0	20	2547	1748	565	3100	2330	671	2885	2173	800	2904	2192	949	2805	2120	989	2607	1975	1061	2508	1903	1112
	16.0	22	2547	1860	573	3315	2330	679	3069	2173	809	3102	2192	959	3003	2120	1010	2805	1975	1081	2706	1903	1122
	18.0	25	2732	1994	582	3530	2532	688	3253	2353	818	3300	2385	969	3168	2289	1010	2970	2144	1091	2838	2048	1132
	19.0	27	2824	2061	591	3652	2666	697	3376	2465	827	3432	2505	979	3300	2409	1020	3102	2264	1091	2970	2168	1132
	22.0	30	3131	2039	591	4051	2644	697	3744	2442	827	3795	2481	989	3663	2385	1030	3300	2313	1132	3069	2264	1193
	24.0	32	3345	2039	600	4328	2644	706	3990	2442	837	4059	2481	989	3894	2385	1040	3432	2361	1163	3135	2337	1234
1.5+2.5	12.0	18	3088	2118	653	3497	2824	776	3237	2607	914	3280	2657	1086	3160	2540	1133	2960	2394	1215	2840	2278	1263
	14.0	20	3088	2118	653	3758	2824	776	3497	2634	925	3520	2657	1097	3400	2570	1145	3160	2394	1227	3040	2307	1286
	16.0	22	3088	2254	663	4018	2824	786	3720	2634	936	3760	2657	1109	3640	2570	1168	3400	2394	1251	3280	2307	1298
	18.0	25	3311	2417	674	4278	3069	796	3944	2852	946	4000	2891	1121	3840	2774	1168	3600	2599	1263	3440	2482	1310
	19.0	27	3423	2499	684	4427	3232	806	4092	2987	957	4160	3037	1133	4000	2920	1180	3760	2745	1263	3600	2628	1310
	22.0	30	3795	2471	684	4911	3205	806	4539	2960	957	4600	3008	1145	4440	2891	1192	4000	2803	1310	3720	2745	1381
	24.0	32	4055	2471	694	5246	3205	817	4836	2960	968	4920	3008	1145	4720	2891	1204	4160	2862	1345	3800	2832	1428
1.5+3.5	12.0	18	3860	2648	819	4371	3531	973	4046	3259	1147	4100	3322	1362	3950	3176	1421	3700	2993	1524	3550	2847	1584
	14.0	20	3860	2648	819	4697	3531	973	4371	3293	1160	4400	3322	1376	4250	3212	1436	3950	2993	1539	3800	2884	1613
	16.0	22	3860	2818	832	5022	3531	986	4650	3293	1174	4700	3322	1391	4550	3212	1465	4250	2993	1569	4100	2884	1628
	18.0	25	4139	3021	845	5348	3836	999	4929	3565	1187	5000	3614	1406	4800	3468	1465	4500	3249	1584	4300	3103	1643
	19.0	27	4278	3123	858	5534	4040	1011	5115	3734	1201	5200	3796	1421	5000	3650	1480	4700	3431	1584	4500	3285	1643
	22.0	30	4743	3089	858	6138	4006	1011	5673	3700	1201	5750	3760	1436	5550	3614	1495	5000	3504	1643	4650	3431	1732
	24.0	32	5069	3089	871	6557	4006	1024	6045	3700	1214	6150	3760	1436	5900	3614	1510	5200	3577	1687	4750	3541	1791
1.5+5.0	12.0	18	4091	2807	858	4634	3742	1019	4289	3455	1201	4346	3521	1426	4187	3366	1488	3922	3173	1597	3763	3018	1659
	14.0	20	4091	2807	858	4979	3742	1019	4634	3491	1215	4664	3521	1442	4505	3405	1504	4187	3173	1612	4028	3057	1690
	16.0	22	4091	2987	871	5324	3742	1032	4929	3491	1229	4982	3521	1457	4823	3405	1535	4505	3173	1643	4346	3057	1705
	18.0	25	4387	3203	885	5669	4066	1046	5225	3778	1243	5300	3830	1473	5088	3676	1535	4770	3443	1659	4558	3289	1721
	19.0	27	4535	3311	898	5866	4282	1059	5422	3958	1257	5512	4024	1488	5300	3869	1550	4982	3637	1659	4770	3482	1721
	22.0	30	5028	3275	898	6507	4246	1059	6014	3922	1257	6095	3985	1504	5883	3830	1566	5300	3714	1721	4929	3637	1814
	24.0	32	5373	3275	912	6950	4246	1073	6408	3922	1272	6519	3985	1504	6254	3830	1581	5512	3792	1767	5035	3753	1876
1.8+1.8	12.0	18	2779	1907	598	3147	2542	710	2913	2346	837	2952	2391	994	2844	2286	1037	2664	2155	1112	2556	2050	1156
	14.0	20	2779	1907	598	3382	2542	710	3147	2371	847	3168	2391	1004	3060	2313	1048	2844	2155	1123	2736	2076	1177
	16.0	22	2779	2029	607	3616	2542	719	3348	2371	856	3384	2391	1015	3276	2313	1069	3060	2155	1145	2952	2076	1188
	18.0	25	2980	2175	617	3851	2762	729	3549	2566	866	3600	2602	1026	3456	2497	1069	3240	2339	1156	3096	2234	1199
	19.0	27	3080	2249	626	3984	2909	738	3683	2689	876	3744	2733	1037	3600	2628	1080	3384	2470	1156	3240	2365	1199
	22.0	30	3415	2224	626	4420	2884	738	4085	2664	876	4140	2707	1048	3996	2602	1091	3600	2523	1199	3348	2470	1264
	24.0	32	3650	2224	635	4721	2884	747	4353	2664	886	4428	2707	1048	4248	2602	1102	3744	2575	1231	3420	2549	1307
1.8+2.5	12.0	18	3319	2277	709	3759	3036	841	3479	2803	992	3526	2856	1178	3397	2731	1229	3182	2574	1318	3053	2448	1370
	14.0	20	3319	2277	709	4039	3036	841	3759	2832	1003	3784	2856	1190	3655	2762	1242	3397	2574	1331	3268	2480	1395
	16.0	22	3319	2423	720	4319	3036	853	3999	2832	1015	4042	2856	1203	3913	2762	1267	3655	2574	1357	3526	2480	1408
	18.0	25	3559	2598	731	4599	3299	864	4239	3065	1027	4300	3108	1216	4128	2982	1267	3870	2794	1370	3698	2668	1421
	19.0	27	3679	2686	742	4759	3474	875	4399	3211	1038	4472	3265	1229	4300	3139	1280	4042	2951	1370	3870	2825	1421
	22.0	30	4079	2657	742	5279	3445	875	4879	3182	1038	4945	3233	1242	4773	3108	1293	4300	3013	1421	3999	2951	1498
	24.0	32	4359	2657	753	5639	3445	886	5199	3182	1050	5289	3233	1242	5074	3108	1306	4472	3076	1459	4085	3045	1549

	INDOOR		OUTDOOR TEMPERATURE (°CDB)																							
	EWB	EDB	-10			21			27			32			35			40			43					
	°C	°C	TC	SHC	PI	TC	SHC	PI	TC	SHC	PI	TC	SHC	PI	TC	SHC	PI	TC	SHC	PI	TC	SHC	PI			
1.8+3.5	12.0	18	4091	2807	858	4634	3742	1019	4289	3455	1201	4346	3521	1426	4187	3366	1488	3922	3173	1597	3763	3018	1659			
	14.0	20	4091	2807	858	4979	3742	1019	4634	3491	1215	4664	3521	1442	4505	3405	1504	4187	3173	1612	4028	3057	1690			
	16.0	22	4091	2987	871	5324	3742	1032	4929	3491	1229	4982	3521	1457	4823	3405	1535	4505	3173	1643	4346	3057	1705			
	18.0	25	4387	3203	885	5669	4066	1046	5225	3778	1243	5300	3830	1473	5088	3676	1535	4770	3443	1659	4558	3289	1721			
	19.0	27	4535	3311	898	5866	4282	1059	5422	3958	1257	5512	4024	1488	5300	3869	1550	4982	3637	1659	4770	3482	1721			
	22.0	30	5028	3275	898	6507	4246	1059	6014	3922	1257	6095	3985	1504	5883	3830	1566	5300	3714	1721	4929	3637	1814			
	24.0	32	5373	3275	912	6950	4246	1073	6408	3922	1272	6519	3985	1504	6254	3830	1581	5512	3792	1767	5035	3753	1876			
1.8+5.0	12.0	18	4091	2807	858	4634	3742	1019	4289	3455	1201	4346	3521	1426	4187	3366	1488	3922	3173	1597	3763	3018	1659			
	14.0	20	4091	2807	858	4979	3742	1019	4634	3491	1215	4664	3521	1442	4505	3405	1504	4187	3173	1612	4028	3057	1690			
	16.0	22	4091	2987	871	5324	3742	1032	4929	3491	1229	4982	3521	1457	4823	3405	1535	4505	3173	1643	4346	3057	1705			
	18.0	25	4387	3203	885	5669	4066	1046	5225	3778	1243	5300	3830	1473	5088	3676	1535	4770	3443	1659	4558	3289	1721			
	19.0	27	4535	3311	898	5866	4282	1059	5422	3958	1257	5512	4024	1488	5300	3869	1550	4982	3637	1659	4770	3482	1721			
	22.0	30	5028	3275	898	6507	4246	1059	6014	3922	1257	6095	3985	1504	5883	3830	1566	5300	3714	1721	4929	3637	1814			
	24.0	32	5373	3275	912	6950	4246	1073	6408	3922	1272	6519	3985	1504	6254	3830	1581	5512	3792	1767	5035	3753	1876			
2.5+2.5	12.0	18	3860	2648	814	4371	3531	966	4046	3259	1139	4100	3322	1352	3950	3176	1411	3700	2993	1514	3550	2847	1573			
	14.0	20	3860	2648	814	4697	3531	966	4371	3293	1152	4400	3322	1367	4250	3212	1426	3950	2993	1529	3800	2884	1602			
	16.0	22	3860	2818	826	5022	3531	979	4650	3293	1166	4700	3322	1382	4550	3212	1455	4250	2993	1558	4100	2884	1617			
	18.0	25	4139	3021	839	5348	3836	992	4929	3565	1179	5000	3614	1397	4800	3468	1455	4500	3249	1573	4300	3103	1632			
	19.0	27	4278	3123	852	5534	4040	1004	5115	3734	1192	5200	3796	1411	5000	3650	1470	4700	3431	1573	4500	3285	1632			
	22.0	30	4743	3089	852	6138	4006	1004	5673	3700	1192	5750	3760	1426	5550	3614	1485	5000	3504	1632	4650	3431	1720			
	24.0	32	5069	3089	865	6557	4006	1017	6045	3700	1206	6150	3760	1426	5900	3614	1499	5200	3577	1676	4750	3541	1779			
2.5+3.5	12.0	18	4091	2807	858	4634	3742	1019	4289	3455	1201	4346	3521	1426	4187	3366	1488	3922	3173	1597	3763	3018	1659			
	14.0	20	4091	2807	858	4979	3742	1019	4634	3491	1215	4664	3521	1442	4505	3405	1504	4187	3173	1612	4028	3057	1690			
	16.0	22	4091	2987	871	5324	3742	1032	4929	3491	1229	4982	3521	1457	4823	3405	1535	4505	3173	1643	4346	3057	1705			
	18.0	25	4387	3203	885	5669	4066	1046	5225	3778	1243	5300	3830	1473	5088	3676	1535	4770	3443	1659	4558	3289	1721			
	19.0	27	4535	3311	898	5866	4282	1059	5422	3958	1257	5512	4024	1488	5300	3869	1550	4982	3637	1659	4770	3482	1721			
	22.0	30	5028	3275	898	6507	4246	1059	6014	3922	1257	6095	3985	1504	5883	3830	1566	5300	3714	1721	4929	3637	1814			
	24.0	32	5373	3275	912	6950	4246	1073	6408	3922	1272	6519	3985	1504	6254	3830	1581	5512	3792	1767	5035	3753	1876			
3.5+3.5	12.0	18	4091	2807	858	4634	3742	1019	4289	3455	1201	4346	3521	1426	4187	3366	1488	3922	3173	1597	3763	3018	1659			
	14.0	20	4091	2807	858	4979	3742	1019	4634	3491	1215	4664	3521	1442	4505	3405	1504	4187	3173	1612	4028	3057	1690			
	16.0	22	4091	2987	871	5324	3742	1032	4929	3491	1229	4982	3521	1457	4823	3405	1535	4505	3173	1643	4346	3057	1705			
	18.0	25	4387	3203	885	5669	4066	1046	5225	3778	1243	5300	3830	1473	5088	3676	1535	4770	3443	1659	4558	3289	1721			
	19.0	27	4535	3311	898	5866	4282	1059	5422	3958	1257	5512	4024	1488	5300	3869	1550	4982	3637	1659	4770	3482	1721			
	22.0	30	5028	3275	898	6507	4246	1059	6014	3922	1257	6095	3985	1504	5883	3830	1566	5300	3714	1721	4929	3637	1814			
	24.0	32	5373	3275	912	6950	4246	1073	6408	3922	1272	6519	3985	1504	6254	3830	1581	5512	3792	1767	5035	3753	1876			
2.5+5.0	12.0	18	4091	2807	858	4634	3742	1019	4289	3455	1201	4346	3521	1426	4187	3366	1488	3922	3173	1597	3763	3018	1659			
	14.0	20	4091	2807	858	4979	3742	1019	4634	3491	1215	4664	3521	1442	4505	3405	1504	4187	3173	1612	4028	3057	1690			
	16.0	22	4091	2987	871	5324	3742	1032	4929	3491	1229	4982	3521	1457	4823	3405	1535	4505	3173	1643	4346	3057	1705			
	18.0	25	4387	3203	885	5669	4066	1046	5225	3778	1243	5300	3830	1473	5088	3676	1535	4770	3443	1659	4558	3289	1721			
	19.0	27	4535	3311	898	5866	4282	1059	5422	3958	1257	5512	4024	1488	5300	3869	1550	4982	3637	1659	4770	3482	1721			
	22.0	30	5028	3275	898	6507	4246	1059	6014	3922	1257	6095	3985	1504	5883	3830	1566	5300	3714	1721	4929	3637	1814			
	24.0	32	5373	3275	912	6950	4246	1073	6408	3922	1272	6519	3985	1504	6254	3830	1581	5512	3792	1767	5035	3753	1876			
3.5+5.0	12.0	18	4091	2807	858	4634	3742	1019	4289	3455	1201	4346	3521	1426	4187	3366	1488	3922	3173	1597	3763	3018	1659			
	14.0	20	4091	2807	858	4979	3742	1019	4634	3491	1215	4664	3521	1442	4505	3405	1504	4187	3173	1612	4028	3057	1690			
	16.0	22	4091	2987	871	5324	3742	1032	4929	3491	1229	4982	3521	1457	4823	3405	1535	4505	3173	1643	4346	3057	1705			
	18.0	25	4387	3203	885	5669	4066	1046	5225	3778	1243	5300	3830	1473	5088	3676	1535	4770	3443	1659	4558	3289	1721			
	19.0	27	4535	3311	898	5866	4282	1059	5422	3958	1257	5512	4024	1488	5300	3869	1550	4982	3637	1659	4770	3482	1721			
	22.0	30	5028	3275	898	6507	4246	1059	6014	3922	1257	6095	3985	1504	5883	3830	1566	5300	3714	1721	4929	3637	1814			
	24.0	32	5373	3275	912	6950	4246	1073	6408	3922	1272	6519	3985	1504	6254	3830	1581	5512	3792	1767	5035	3753	1876			

## HEATING [50Hz, 230V]

	INDOOR	OUTDOOR TEMPERATURE (°CDB)																								
		EDB	-15			-10			-7			-5			0			7			10			15		
			°C	TC	SHC	PI	TC	SHC	PI	TC	SHC	PI	TC	SHC	PI	TC	SHC	PI	TC	SHC	PI	TC	SHC	PI	TC	SHC
RAM-53NP2B	16	3664	0	1487	4451	0	1528	4924	0	1593	5239	0	1636	6026	0	1831	7128	0	1855	7364	0	1905	7758	0	2000	
	18	3682	0	1508	4474	0	1548	4948	0	1626	5265	0	1678	6056	0	1877	7164	0	1950	7401	0	1990	7813	0	2010	
	20	3701	0	1528	4496	0	1568	4973	0	1652	5291	0	1709	6087	0	1910	7200	0	2010	7439	0	2010	7836	0	2010	
	22	3719	0	1548	4519	0	1588	4998	0	1687	5318	0	1753	6117	0	1956	7214	0	2010	7453	0	2010	7852	0	2010	
	24	3738	0	1568	4541	0	1608	5023	0	1720	5344	0	1795	6148	0	2002	7229	0	2010	7468	0	2010	7868	0	2010	
1.5	16	1120	0	481	1360	0	494	1504	0	515	1601	0	529	1841	0	592	2178	0	600	2427	0	616	2801	0	647	
	18	1125	0	488	1367	0	501	1512	0	526	1609	0	543	1851	0	607	2189	0	631	2418	0	644	2387	0	677	
	20	1131	0	494	1374	0	507	1520	0	534	1617	0	553	1860	0	618	2200	0	650	2273	0	650	2394	0	650	
	22	1136	0	501	1381	0	514	1527	0	545	1625	0	567	1869	0	632	2204	0	650	2277	0	650	2399	0	650	
	24	1142	0	507	1388	0	520	1535	0	556	1633	0	580	1878	0	647	2209	0	650	2282	0	650	2404	0	650	
1.8	16	1628	0	777	1978	0	798	2188	0	832	2328	0	855	2678	0	957	3168	0	969	3530	0	995	4074	0	1045	
	18	1637	0	788	1988	0	809	2199	0	849	2340	0	877	2692	0	981	3184	0	1019	3517	0	1040	3472	0	1050	
	20	1645	0	798	1998	0	819	2210	0	863	2352	0	893	2705	0	998	3200	0	1050	3306	0	1050	3483	0	1050	
	22	1653	0	809	2008	0	830	2221	0	881	2364	0	916	2719	0	1022	3206	0	1050	3313	0	1050	3490	0	1050	
	24	1661	0	819	2018	0	840	2232	0	899	2375	0	938	2732	0	1046	3213	0	1050	3319	0	1050	3497	0	1050	
2.5	16	2392	0	1021	2906	0	1049	3214	0	1094	3420	0	1123	3934	0	1257	4653	0	1274	5184	0	1308	5983	0	1373	
	18	2404	0	1035	2920	0	1063	3230	0	1116	3437	0	1152	3953	0	1289	4677	0	1339	5165	0	1366	5100	0	1380	
	20	2416	0	1049	2935	0	1076	3246	0	1134	3454	0	1173	3973	0	1311	4700	0	1380	4856	0	1380	5115	0	1380	
	22	2428	0	1063	2950	0	1090	3263	0	1158	3471	0	1203	3993	0	1343	4709	0	1380	4865	0	1380	5126	0	1380	
	24	2440	0	1076	2964	0	1104	3279	0	1181	3489	0	1232	4013	0	1374	4719	0	1380	4875	0	1380	5136	0	1380	
3.5	16	2952	0	1384	3586	0	1421	3966	0	1482	4220	0	1522	4854	0	1704	5742	0	1726	6397	0	1773	7383	0	1861	
	18	2966	0	1403	3604	0	1440	3986	0	1513	4241	0	1561	4879	0	1747	5771	0	1814	6374	0	1851	6294	0	1870	
	20	2981	0	1421	3622	0	1459	4006	0	1537	4263	0	1590	4903	0	1777	5800	0	1870	5992	0	1870	6312	0	1870	
	22	2996	0	1440	3640	0	1477	4026	0	1569	4284	0	1631	4928	0	1820	5812	0	1870	6004	0	1870	6325	0	1870	
	24	3011	0	1459	3658	0	1496	4046	0	1600	4305	0	1670	4952	0	1863	5823	0	1870	6016	0	1870	6338	0	1870	
5.0	16	3664	0	1487	4451	0	1528	4924	0	1593	5239	0	1636	6026	0	1831	7128	0	1855	7942	0	1905	9166	0	2000	
	18	3682	0	1508	4474	0	1548	4948	0	1626	5265	0	1678	6056	0	1877	7164	0	1950	7913	0	1990	7813	0	2010	
	20	3701	0	1528	4496	0	1568	4973	0	1652	5291	0	1709	6087	0	1910	7200	0	2010	7439	0	2010	7836	0	2010	
	22	3719	0	1548	4519	0	1588	4998	0	1687	5318	0	1753	6117	0	1956	7214	0	2010	7453	0	2010	7852	0	2010	
	24	3738	0	1568	4541	0	1608	5023	0	1720	5344	0	1795	6148	0	2002	7229	0	2010	7468	0	2010	7868	0	2010	
1.5+1.5	16	2392	0	1021	2906	0	1049	3214	0	1094	3420	0	1123	3934	0	1257	4653	0	1274	5184	0	1308	5983	0	1373	
	18	2404	0	1035	2920	0	1063	3230	0	1116	3437	0	1152	3953	0	1289	4677	0	1339	5165	0	1366	5100	0	1380	
	20	2416	0	1049	2935	0	1076	3246	0	1134	3454	0	1173	3973	0	1311	4700	0	1380	4856	0	1380	5115	0	1380	
	22	2428	0	1063	2950	0	1090	3263	0	1158	3471	0	1203	3993	0	1343	4709	0	1380	4865	0	1380	5126	0	1380	
	24	2440	0	1076	2964	0	1104	3279	0	1181	3489	0	1232	4013	0	1374	4719	0	1380	4875	0	1380	5136	0	1380	
1.5+1.8	16	2646	0	1384	3215	0	1421	3556	0	1482	3783	0	1522	4352	0	1704	5148	0	1726	5736	0	1773	6620	0	1861	
	18	2660	0	1403	3231	0	1440	3574	0	1513	3802	0	1561	4374	0	1747	5174	0	1814	5715	0	1851	5642	0	1870	
	20	2673	0	1421	3247	0	1459	3592	0	1537	3822	0	1590	4396	0	1777	5200	0	1870	5372	0	1870	5659	0	1870	
	22	2686	0	1440	3263	0	1477	3610	0	1569	3841	0	1631	4418	0	1820	5210	0	1870	5383	0	1870	5671	0	1870	
	24	2700	0	1459	3280	0	1496	3628	0	1600	3860	0	1670	4440	0	1863	5221	0	1870	5394	0	1870	5682	0	1870	

	INDOOR		OUTDOOR TEMPERATURE (°CDB)																							
	EDB	-15			-10			-7			-5			0			7			10			15			
	°C	TC	SHC	PI	TC	SHC	PI	TC	SHC	PI	TC	SHC	PI	TC	SHC	PI	TC	SHC	PI	TC	SHC	PI	TC	SHC	PI	
1.5+2.5	16	3308	0	1487	4018	0	1528	4445	0	1593	4729	0	1636	5440	0	1831	6435	0	1855	7170	0	1905	8275	0	2000	
	18	3324	0	1508	4039	0	1548	4467	0	1626	4753	0	1678	5467	0	1877	6468	0	1950	7144	0	1990	7053	0	2010	
	20	3341	0	1528	4059	0	1568	4490	0	1652	4777	0	1709	5495	0	1910	6500	0	2010	6715	0	2010	7074	0	2010	
	22	3358	0	1548	4079	0	1588	4512	0	1687	4801	0	1753	5522	0	1956	6513	0	2010	6729	0	2010	7088	0	2010	
	24	3375	0	1568	4100	0	1608	4535	0	1720	4825	0	1795	5550	0	2002	6526	0	2010	6742	0	2010	7103	0	2010	
1.5+3.5	16	3664	0	1487	4451	0	1528	4924	0	1593	5239	0	1636	6026	0	1831	7128	0	1855	7942	0	1905	9166	0	2000	
	18	3682	0	1508	4474	0	1548	4948	0	1626	5265	0	1678	6056	0	1877	7164	0	1950	7913	0	1990	7813	0	2010	
	20	3701	0	1528	4496	0	1568	4973	0	1652	5291	0	1709	6087	0	1910	7200	0	2010	7439	0	2010	7836	0	2010	
	22	3719	0	1548	4519	0	1588	4998	0	1687	5318	0	1753	6117	0	1956	7214	0	2010	7453	0	2010	7852	0	2010	
	24	3738	0	1568	4541	0	1608	5023	0	1720	5344	0	1795	6148	0	2002	7229	0	2010	7468	0	2010	7868	0	2010	
1.5+5.0	16	3664	0	1487	4451	0	1528	4924	0	1593	5239	0	1636	6026	0	1831	7128	0	1855	7942	0	1905	9166	0	2000	
	18	3682	0	1508	4474	0	1548	4948	0	1626	5265	0	1678	6056	0	1877	7164	0	1950	7913	0	1990	7813	0	2010	
	20	3701	0	1528	4496	0	1568	4973	0	1652	5291	0	1709	6087	0	1910	7200	0	2010	7439	0	2010	7836	0	2010	
	22	3719	0	1548	4519	0	1588	4998	0	1687	5318	0	1753	6117	0	1956	7214	0	2010	7453	0	2010	7852	0	2010	
	24	3738	0	1568	4541	0	1608	5023	0	1720	5344	0	1795	6148	0	2002	7229	0	2010	7468	0	2010	7868	0	2010	
1.8+1.8	16	2646	0	1147	3215	0	1178	3556	0	1228	3783	0	1262	4352	0	1412	5148	0	1431	5736	0	1469	6620	0	1542	
	18	2660	0	1163	3231	0	1194	3574	0	1254	3802	0	1294	4374	0	1448	5174	0	1504	5715	0	1535	5642	0	1550	
	20	2673	0	1178	3247	0	1209	3592	0	1274	3822	0	1318	4396	0	1473	5200	0	1550	5372	0	1550	5659	0	1550	
	22	2686	0	1194	3263	0	1225	3610	0	1301	3841	0	1352	4418	0	1508	5210	0	1550	5383	0	1550	5671	0	1550	
	24	2700	0	1209	3280	0	1240	3628	0	1326	3860	0	1384	4440	0	1544	5221	0	1550	5394	0	1550	5682	0	1550	
1.8+2.5	16	3206	0	1421	3895	0	1459	4308	0	1521	4584	0	1563	5273	0	1749	6237	0	1772	6949	0	1820	8020	0	1910	
	18	3222	0	1440	3914	0	1478	4330	0	1553	4607	0	1603	5299	0	1793	6269	0	1862	6924	0	1901	6836	0	1920	
	20	3238	0	1459	3934	0	1498	4352	0	1578	4630	0	1632	5326	0	1824	6300	0	1920	6509	0	1920	6857	0	1920	
	22	3255	0	1478	3954	0	1517	4373	0	1611	4653	0	1674	5352	0	1868	6313	0	1920	6522	0	1920	6870	0	1920	
	24	3271	0	1498	3974	0	1536	4395	0	1643	4676	0	1715	5379	0	1912	6325	0	1920	6535	0	1920	6884	0	1920	
1.8+3.5	16	3664	0	1487	4451	0	1528	4924	0	1593	5239	0	1636	6026	0	1831	7128	0	1855	7942	0	1905	9166	0	2000	
	18	3682	0	1508	4474	0	1548	4948	0	1626	5265	0	1678	6056	0	1877	7164	0	1950	7913	0	1990	7813	0	2010	
	20	3701	0	1528	4496	0	1568	4973	0	1652	5291	0	1709	6087	0	1910	7200	0	2010	7439	0	2010	7836	0	2010	
	22	3719	0	1548	4519	0	1588	4998	0	1687	5318	0	1753	6117	0	1956	7214	0	2010	7453	0	2010	7852	0	2010	
	24	3738	0	1568	4541	0	1608	5023	0	1720	5344	0	1795	6148	0	2002	7229	0	2010	7468	0	2010	7868	0	2010	
1.8+5.0	16	3664	0	1487	4451	0	1528	4924	0	1593	5239	0	1636	6026	0	1831	7128	0	1855	7942	0	1905	9166	0	2000	
	18	3682	0	1508	4474	0	1548	4948	0	1626	5265	0	1678	6056	0	1877	7164	0	1950	7913	0	1990	7813	0	2010	
	20	3701	0	1528	4496	0	1568	4973	0	1652	5291	0	1709	6087	0	1910	7200	0	2010	7439	0	2010	7836	0	2010	
	22	3719	0	1548	4519	0	1588	4998	0	1687	5318	0	1753	6117	0	1956	7214	0	2010	7453	0	2010	7852	0	2010	
	24	3738	0	1568	4541	0	1608	5023	0	1720	5344	0	1795	6148	0	2002	7229	0	2010	7468	0	2010	7868	0	2010	
2.5+2.5	16	3664	0	1487	4451	0	1528	4924	0	1593	5239	0	1636	6026	0	1831	7128	0	1855	7942	0	1905	9166	0	2000	
	18	3682	0	1508	4474	0	1548	4948	0	1626	5265	0	1678	6056	0	1877	7164	0	1950	7913	0	1990	7813	0	2010	
	20	3701	0	1528	4496	0	1568	4973	0	1652	5291	0	1709	6087	0	1910	7200	0	2010	7439	0	2010	7836	0	2010	
	22	3719	0	1548	4519	0	1588	4998	0	1687	5318	0	1753	6117	0	1956	7214	0	2010	7453	0	2010	7852	0	2010	
	24	3738	0	1568	4541	0	1608	5023	0	1720	5344	0	1795	6148	0	2002	7229	0	2010	7468	0	2010	7868	0	2010	

	INDOOR	OUTDOOR TEMPERATURE (°CDB)																									
	EDB	-15			-10			-7			-5			0			7			10			15				
	°C	TC	SHC	PI	TC	SHC	PI	TC	SHC	PI	TC	SHC	PI	TC	SHC	PI	TC	SHC	PI	TC	SHC	PI	TC	SHC	PI		
2.5+3.5	16	3664	01487	4451	01528	4924	01593	5239	01636	6026	01831	7128	01855	7942	01905	9166	02000										
	18	3682	01508	4474	01548	4948	01626	5265	01678	6056	01877	7164	01950	7913	01990	7813	02010										
	20	3701	01528	4496	01568	4973	01652	5291	01709	6087	01910	7200	02010	7439	02010	7836	02010										
	22	3719	01548	4519	01588	4998	01687	5318	01753	6117	01956	7214	02010	7453	02010	7852	02010										
	24	3738	01568	4541	01608	5023	01720	5344	01795	6148	02002	7229	02010	7468	02010	7868	02010										
3.5+3.5	16	3664	01487	4451	01528	4924	01593	5239	01636	6026	01831	7128	01855	7942	01905	9166	02000										
	18	3682	01508	4474	01548	4948	01626	5265	01678	6056	01877	7164	01950	7913	01990	7813	02010										
	20	3701	01528	4496	01568	4973	01652	5291	01709	6087	01910	7200	02010	7439	02010	7836	02010										
	22	3719	01548	4519	01588	4998	01687	5318	01753	6117	01956	7214	02010	7453	02010	7852	02010										
	24	3738	01568	4541	01608	5023	01720	5344	01795	6148	02002	7229	02010	7468	02010	7868	02010										
2.5+5.0	16	3664	01487	4451	01528	4924	01593	5239	01636	6026	01831	7128	01855	7942	01905	9166	02000										
	18	3682	01508	4474	01548	4948	01626	5265	01678	6056	01877	7164	01950	7913	01990	7813	02010										
	20	3701	01528	4496	01568	4973	01652	5291	01709	6087	01910	7200	02010	7439	02010	7836	02010										
	22	3719	01548	4519	01588	4998	01687	5318	01753	6117	01956	7214	02010	7453	02010	7852	02010										
	24	3738	01568	4541	01608	5023	01720	5344	01795	6148	02002	7229	02010	7468	02010	7868	02010										
2.5+5.0	16	3664	01487	4451	01528	4924	01593	5239	01636	6026	01831	7128	01855	7942	01905	9166	02000										
	18	3682	01508	4474	01548	4948	01626	5265	01678	6056	01877	7164	01950	7913	01990	7813	02010										
	20	3701	01528	4496	01568	4973	01652	5291	01709	6087	01910	7200	02010	7439	02010	7836	02010										
	22	3719	01548	4519	01588	4998	01687	5318	01753	6117	01956	7214	02010	7453	02010	7852	02010										
	24	3738	01568	4541	01608	5023	01720	5344	01795	6148	02002	7229	02010	7468	02010	7868	02010										

EWB : Evaporator Wet Bulb temperature (°C)

TC : Total Capacity (W)

EDB : Evaporator Dry Bulb temperature (°C)

SHC : Sensible Heating Capacity (W)

(°CDB) : Outdoor Unit Inlet Air Dry Temperature (°C)

PI : Power Input

3.2.4. RAM-53NP3B

COOLING [50Hz, 230V]

	INDOOR		OUTDOOR TEMPERATURE (°CDB)																				
	EWB	EDB	-10			21			27			32			35			40			43		
	°C	°C	TC	SHC	PI	TC	SHC	PI	TC	SHC	PI	TC	SHC	PI	TC	SHC	PI	TC	SHC	PI	TC	SHC	PI
RAM-53NP3B	12.0	18	4091	3125	858	4634	4167	1019	4289	3846	1201	4346	3920	1426	4187	3748	1488	3922	3533	1597	3763	3360	1659
	14.0	20	4091	3125	858	4979	4167	1019	4634	3887	1215	4664	3920	1442	4505	3791	1504	4187	3533	1612	4028	3403	1690
	16.0	22	4091	3326	871	5324	4167	1032	4929	3887	1229	4982	3920	1457	4823	3791	1535	4505	3533	1643	4346	3403	1705
	18.0	25	4387	3566	885	5669	4528	1046	5225	4207	1243	5300	4265	1473	5088	4093	1535	4770	3834	1659	4558	3662	1721
	19.0	27	4535	3686	898	5866	4768	1059	5422	4407	1257	5512	4480	1488	5300	4308	1550	4982	4050	1659	4770	3877	1721
	22.0	30	5028	3646	898	6507	4728	1059	6014	4367	1257	6095	4437	1504	5883	4265	1566	5300	4136	1721	4929	4050	1814
	24.0	32	5373	3646	912	6950	4728	1073	6408	4367	1272	6519	4437	1504	6254	4265	1581	5512	4222	1767	5035	4179	1876
1.5	12.0	18	1158	794	238	1311	1059	283	1214	978	333	1230	996	396	1185	953	413	1110	898	443	1065	854	460
	14.0	20	1158	794	238	1409	1059	283	1311	988	337	1320	996	400	1275	964	417	1185	898	447	1140	865	469
	16.0	22	1158	845	242	1507	1059	286	1395	988	341	1410	996	404	1365	964	426	1275	898	456	1230	865	473
	18.0	25	1242	906	245	1604	1151	290	1479	1069	345	1500	1084	409	1440	1040	426	1350	975	460	1290	931	477
	19.0	27	1284	937	249	1660	1212	294	1535	1120	349	1560	1139	413	1500	1095	430	1410	1029	460	1350	986	477
	22.0	30	1423	927	249	1842	1202	294	1702	1110	349	1725	1128	417	1665	1084	434	1500	1051	477	1395	1029	503
	24.0	32	1521	927	253	1967	1202	298	1814	1110	353	1845	1128	417	1770	1084	439	1560	1073	490	1425	1062	520
1.8	12.0	18	1390	953	274	1574	1271	325	1456	1173	384	1476	1196	455	1422	1143	475	1332	1077	510	1278	1025	530
	14.0	20	1390	953	274	1691	1271	325	1574	1185	388	1584	1196	460	1530	1156	480	1422	1077	515	1368	1038	540
	16.0	22	1390	1014	278	1808	1271	330	1674	1185	393	1692	1196	465	1638	1156	490	1530	1077	525	1476	1038	545
	18.0	25	1490	1088	283	1925	1381	334	1775	1283	397	1800	1301	470	1728	1248	490	1620	1169	530	1548	1117	549
	19.0	27	1540	1124	287	1992	1454	338	1842	1344	402	1872	1367	475	1800	1314	495	1692	1235	530	1620	1183	549
	22.0	30	1708	1112	287	2210	1442	338	2042	1332	402	2070	1353	480	1998	1301	500	1800	1261	549	1674	1235	579
	24.0	32	1825	1112	291	2361	1442	343	2176	1332	406	2214	1353	480	2124	1301	505	1872	1288	564	1710	1275	599
2.5	12.0	18	1930	1324	388	2186	1765	460	2023	1629	542	2050	1661	644	1975	1588	672	1850	1497	721	1775	1424	749
	14.0	20	1930	1324	388	2348	1765	460	2186	1646	549	2200	1661	651	2125	1606	679	1975	1497	728	1900	1442	763
	16.0	22	1930	1409	394	2511	1765	466	2325	1646	555	2350	1661	658	2275	1606	693	2125	1497	742	2050	1442	770
	18.0	25	2069	1511	400	2674	1918	472	2465	1782	561	2500	1807	665	2400	1734	693	2250	1624	749	2150	1551	777
	19.0	27	2139	1562	406	2767	2020	478	2558	1867	568	2600	1898	672	2500	1825	700	2350	1716	749	2250	1643	777
	22.0	30	2372	1545	406	3069	2003	478	2837	1850	568	2875	1880	679	2775	1807	707	2500	1752	777	2325	1716	819
	24.0	32	2534	1545	412	3279	2003	484	3023	1850	574	3075	1880	679	2950	1807	714	2600	1789	798	2375	1770	847
3.5	12.0	18	2702	1854	570	3060	2471	677	2832	2281	798	2870	2325	948	2765	2223	989	2590	2095	1061	2485	1993	1102
	14.0	20	2702	1854	570	3288	2471	677	3060	2305	807	3080	2325	958	2975	2248	999	2765	2095	1071	2660	2018	1123
	16.0	22	2702	1972	579	3516	2471	686	3255	2305	817	3290	2325	968	3185	2248	1020	2975	2095	1092	2870	2018	1133
	18.0	25	2897	2115	588	3744	2685	695	3451	2495	826	3500	2529	979	3360	2427	1020	3150	2274	1102	3010	2172	1143
	19.0	27	2995	2186	597	3874	2828	704	3581	2614	836	3640	2657	989	3500	2555	1030	3290	2402	1102	3150	2300	1143
	22.0	30	3320	2162	597	4297	2804	704	3971	2590	836	4025	2632	999	3885	2529	1040	3500	2453	1143	3255	2402	1205
	24.0	32	3548	2162	606	4590	2804	713	4232	2590	845	4305	2632	999	4130	2529	1051	3640	2504	1174	3325	2478	1246
5	12.0	18	3860	2648	836	4371	3531	993	4046	3259	1170	4100	3322	1389	3950	3176	1450	3700	2993	1555	3550	2847	1616
	14.0	20	3860	2648	836	4697	3531	993	4371	3293	1184	4400	3322	1404	4250	3212	1465	3950	2993	1570	3800	2884	1646
	16.0	22	3860	2818	849	5022	3531	1006	4650	3293	1197	4700	3322	1419	4550	3212	1495	4250	2993	1601	4100	2884	1661
	18.0	25	4139	3021	862	5348	3836	1019	4929	3565	1211	5000	3614	1435	4800	3468	1495	4500	3249	1616	4300	3103	1676
	19.0	27	4278	3123	875	5534	4040	1032	5115	3734	1225	5200	3796	1450	5000	3650	1510	4700	3431	1616	4500	3285	1676
	22.0	30	4743	3089	875	6138	4006	1032	5673	3700	1225	5750	3760	1465	5550	3614	1525	5000	3504	1676	4650	3431	1767
	24.0	32	5069	3089	888	6557	4006	1045	6045	3700	1239	6150	3760	1465	5900	3614	1540	5200	3577	1721	4750	3541	1827

	INDOOR		OUTDOOR TEMPERATURE (°CDB)																				
	EWB	EDB	-10			21			27			32			35			40			43		
	°C	°C	TC	SHC	PI	TC	SHC	PI	TC	SHC	PI	TC	SHC	PI	TC	SHC	PI	TC	SHC	PI	TC	SHC	PI
1.5+1.5	12.0	18	2316	1589	509	2623	2118	605	2427	1955	713	2460	1993	846	2370	1905	883	2220	1796	948	2130	1708	984
	14.0	20	2316	1589	509	2818	2118	605	2623	1976	721	2640	1993	856	2550	1927	892	2370	1796	957	2280	1730	1003
	16.0	22	2316	1691	517	3013	2118	613	2790	1976	730	2820	1993	865	2730	1927	911	2550	1796	975	2460	1730	1012
	18.0	25	2483	1813	525	3209	2302	621	2958	2139	738	3000	2168	874	2880	2081	911	2700	1949	984	2580	1862	1021
	19.0	27	2567	1874	533	3320	2424	629	3069	2241	746	3120	2278	883	3000	2190	920	2820	2059	984	2700	1971	1021
	22.0	30	2846	1854	533	3683	2404	629	3404	2220	746	3450	2256	892	3330	2168	929	3000	2102	1021	2790	2059	1076
	24.0	32	3041	1854	541	3934	2404	637	3627	2220	755	3690	2256	892	3540	2168	938	3120	2146	1049	2850	2124	1113
1.5+1.8	12.0	18	2547	1748	565	2885	2330	671	2670	2151	790	2706	2192	938	2607	2096	979	2442	1975	1051	2343	1879	1091
	14.0	20	2547	1748	565	3100	2330	671	2885	2173	800	2904	2192	949	2805	2120	989	2607	1975	1061	2508	1903	1112
	16.0	22	2547	1860	573	3315	2330	679	3069	2173	809	3102	2192	959	3003	2120	1010	2805	1975	1081	2706	1903	1122
	18.0	25	2732	1994	582	3530	2532	688	3253	2353	818	3300	2385	969	3168	2289	1010	2970	2144	1091	2838	2048	1132
	19.0	27	2824	2061	591	3652	2666	697	3376	2465	827	3432	2505	979	3300	2409	1020	3102	2264	1091	2970	2168	1132
	22.0	30	3131	2039	591	4051	2644	697	3744	2442	827	3795	2481	989	3663	2385	1030	3300	2313	1132	3069	2264	1193
	24.0	32	3345	2039	600	4328	2644	706	3990	2442	837	4059	2481	989	3894	2385	1040	3432	2361	1163	3135	2337	1234
1.5+2.5	12.0	18	3088	2118	653	3497	2824	776	3237	2607	914	3280	2657	1086	3160	2540	1133	2960	2394	1215	2840	2278	1263
	14.0	20	3088	2118	653	3758	2824	776	3497	2634	925	3520	2657	1097	3400	2570	1145	3160	2394	1227	3040	2307	1286
	16.0	22	3088	2254	663	4018	2824	786	3720	2634	936	3760	2657	1109	3640	2570	1168	3400	2394	1251	3280	2307	1298
	18.0	25	3311	2417	674	4278	3069	796	3944	2852	946	4000	2891	1121	3840	2774	1168	3600	2599	1263	3440	2482	1310
	19.0	27	3423	2499	684	4427	3232	806	4092	2987	957	4160	3037	1133	4000	2920	1180	3760	2745	1263	3600	2628	1310
	22.0	30	3795	2471	684	4911	3205	806	4539	2960	957	4600	3008	1145	4440	2891	1192	4000	2803	1310	3720	2745	1381
	24.0	32	4055	2471	694	5246	3205	817	4836	2960	968	4920	3008	1145	4720	2891	1204	4160	2862	1345	3800	2832	1428
1.5+3.5	12.0	18	3860	2648	819	4371	3531	973	4046	3259	1147	4100	3322	1362	3950	3176	1421	3700	2993	1524	3550	2847	1584
	14.0	20	3860	2648	819	4697	3531	973	4371	3293	1160	4400	3322	1376	4250	3212	1436	3950	2993	1539	3800	2884	1613
	16.0	22	3860	2818	832	5022	3531	986	4650	3293	1174	4700	3322	1391	4550	3212	1465	4250	2993	1569	4100	2884	1628
	18.0	25	4139	3021	845	5348	3836	999	4929	3565	1187	5000	3614	1406	4800	3468	1465	4500	3249	1584	4300	3103	1643
	19.0	27	4278	3123	858	5534	4040	1011	5115	3734	1201	5200	3796	1421	5000	3650	1480	4700	3431	1584	4500	3285	1643
	22.0	30	4743	3089	858	6138	4006	1011	5673	3700	1201	5750	3760	1436	5550	3614	1495	5000	3504	1643	4650	3431	1732
	24.0	32	5069	3089	871	6557	4006	1024	6045	3700	1214	6150	3760	1436	5900	3614	1510	5200	3577	1687	4750	3541	1791
1.5+5	12.0	18	4091	2807	858	4634	3742	1019	4289	3455	1201	4346	3521	1426	4187	3366	1488	3922	3173	1597	3763	3018	1659
	14.0	20	4091	2807	858	4979	3742	1019	4634	3491	1215	4664	3521	1442	4505	3405	1504	4187	3173	1612	4028	3057	1690
	16.0	22	4091	2987	871	5324	3742	1032	4929	3491	1229	4982	3521	1457	4823	3405	1535	4505	3173	1643	4346	3057	1705
	18.0	25	4387	3203	885	5669	4066	1046	5225	3778	1243	5300	3830	1473	5088	3676	1535	4770	3443	1659	4558	3289	1721
	19.0	27	4535	3311	898	5866	4282	1059	5422	3958	1257	5512	4024	1488	5300	3869	1550	4982	3637	1659	4770	3482	1721
	22.0	30	5028	3275	898	6507	4246	1059	6014	3922	1257	6095	3985	1504	5883	3830	1566	5300	3714	1721	4929	3637	1814
	24.0	32	5373	3275	912	6950	4246	1073	6408	3922	1272	6519	3985	1504	6254	3830	1581	5512	3792	1767	5035	3753	1876
1.8+1.8	12.0	18	2779	1907	598	3147	2542	710	2913	2346	837	2952	2391	994	2844	2286	1037	2664	2155	1112	2556	2050	1156
	14.0	20	2779	1907	598	3382	2542	710	3147	2371	847	3168	2391	1004	3060	2313	1048	2844	2155	1123	2736	2076	1177
	16.0	22	2779	2029	607	3616	2542	719	3348	2371	856	3384	2391	1015	3276	2313	1069	3060	2155	1145	2952	2076	1188
	18.0	25	2980	2175	617	3851	2762	729	3549	2566	866	3600	2602	1026	3456	2497	1069	3240	2339	1156	3096	2234	1199
	19.0	27	3080	2249	626	3984	2909	738	3683	2689	876	3744	2733	1037	3600	2628	1080	3384	2470	1156	3240	2365	1199
	22.0	30	3415	2224	626	4420	2884	738	4085	2664	876	4140	2707	1048	3996	2602	1091	3600	2523	1199	3348	2470	1264
	24.0	32	3650	2224	635	4721	2884	747	4353	2664	886	4428	2707	1048	4248	2602	1102	3744	2575	1231	3420	2549	1307

		INDOOR		OUTDOOR TEMPERATURE (°CDB)																				
		EWB	EDB	-10			21			27			32			35			40			43		
		°C	°C	TC	SHC	PI	TC	SHC	PI	TC	SHC	PI	TC	SHC	PI	TC	SHC	PI	TC	SHC	PI	TC	SHC	PI
1.8+2.5	12.0	18	3319	2277	709	3759	3036	841	3479	2803	992	3526	2856	1178	3397	2731	1229	3182	2574	1318	3053	2448	1370	
	14.0	20	3319	2277	709	4039	3036	841	3759	2832	1003	3784	2856	1190	3655	2762	1242	3397	2574	1331	3268	2480	1395	
	16.0	22	3319	2423	720	4319	3036	853	3999	2832	1015	4042	2856	1203	3913	2762	1267	3655	2574	1357	3526	2480	1408	
	18.0	25	3559	2598	731	4599	3299	864	4239	3065	1027	4300	3108	1216	4128	2982	1267	3870	2794	1370	3698	2668	1421	
	19.0	27	3679	2686	742	4759	3474	875	4399	3211	1038	4472	3265	1229	4300	3139	1280	4042	2951	1370	3870	2825	1421	
	22.0	30	4079	2657	742	5279	3445	875	4879	3182	1038	4945	3233	1242	4773	3108	1293	4300	3013	1421	3999	2951	1498	
	24.0	32	4359	2657	753	5639	3445	886	5199	3182	1050	5289	3233	1242	5074	3108	1306	4472	3076	1459	4085	3045	1549	
1.8+3.5	12.0	18	4091	2807	858	4634	3742	1019	4289	3455	1201	4346	3521	1426	4187	3366	1488	3922	3173	1597	3763	3018	1659	
	14.0	20	4091	2807	858	4979	3742	1019	4634	3491	1215	4664	3521	1442	4505	3405	1504	4187	3173	1612	4028	3057	1690	
	16.0	22	4091	2987	871	5324	3742	1032	4929	3491	1229	4982	3521	1457	4823	3405	1535	4505	3173	1643	4346	3057	1705	
	18.0	25	4387	3203	885	5669	4066	1046	5225	3778	1243	5300	3830	1473	5088	3676	1535	4770	3443	1659	4558	3289	1721	
	19.0	27	4535	3311	898	5866	4282	1059	5422	3958	1257	5512	4024	1488	5300	3869	1550	4982	3637	1659	4770	3482	1721	
	22.0	30	5028	3275	898	6507	4246	1059	6014	3922	1257	6095	3985	1504	5883	3830	1566	5300	3714	1721	4929	3637	1814	
	24.0	32	5373	3275	912	6950	4246	1073	6408	3922	1272	6519	3985	1504	6254	3830	1581	5512	3792	1767	5035	3753	1876	
1.8+5.0	12.0	18	4091	2807	858	4634	3742	1019	4289	3455	1201	4346	3521	1426	4187	3366	1488	3922	3173	1597	3763	3018	1659	
	14.0	20	4091	2807	858	4979	3742	1019	4634	3491	1215	4664	3521	1442	4505	3405	1504	4187	3173	1612	4028	3057	1690	
	16.0	22	4091	2987	871	5324	3742	1032	4929	3491	1229	4982	3521	1457	4823	3405	1535	4505	3173	1643	4346	3057	1705	
	18.0	25	4387	3203	885	5669	4066	1046	5225	3778	1243	5300	3830	1473	5088	3676	1535	4770	3443	1659	4558	3289	1721	
	19.0	27	4535	3311	898	5866	4282	1059	5422	3958	1257	5512	4024	1488	5300	3869	1550	4982	3637	1659	4770	3482	1721	
	22.0	30	5028	3275	898	6507	4246	1059	6014	3922	1257	6095	3985	1504	5883	3830	1566	5300	3714	1721	4929	3637	1814	
	24.0	32	5373	3275	912	6950	4246	1073	6408	3922	1272	6519	3985	1504	6254	3830	1581	5512	3792	1767	5035	3753	1876	
2.5+2.5	12.0	18	3860	2648	814	4371	3531	966	4046	3259	1139	4100	3322	1352	3950	3176	1411	3700	2993	1514	3550	2847	1573	
	14.0	20	3860	2648	814	4697	3531	966	4371	3293	1152	4400	3322	1367	4250	3212	1426	3950	2993	1529	3800	2884	1602	
	16.0	22	3860	2818	826	5022	3531	979	4650	3293	1166	4700	3322	1382	4550	3212	1455	4250	2993	1558	4100	2884	1617	
	18.0	25	4139	3021	839	5348	3836	992	4929	3565	1179	5000	3614	1397	4800	3468	1455	4500	3249	1573	4300	3103	1632	
	19.0	27	4278	3123	852	5534	4040	1004	5115	3734	1192	5200	3796	1411	5000	3650	1470	4700	3431	1573	4500	3285	1632	
	22.0	30	4743	3089	852	6138	4006	1004	5673	3700	1192	5750	3760	1426	5550	3614	1485	5000	3504	1632	4650	3431	1720	
	24.0	32	5069	3089	865	6557	4006	1017	6045	3700	1206	6150	3760	1426	5900	3614	1499	5200	3577	1676	4750	3541	1779	
2.5+3.5	12.0	18	4091	2807	858	4634	3742	1019	4289	3455	1201	4346	3521	1426	4187	3366	1488	3922	3173	1597	3763	3018	1659	
	14.0	20	4091	2807	858	4979	3742	1019	4634	3491	1215	4664	3521	1442	4505	3405	1504	4187	3173	1612	4028	3057	1690	
	16.0	22	4091	2987	871	5324	3742	1032	4929	3491	1229	4982	3521	1457	4823	3405	1535	4505	3173	1643	4346	3057	1705	
	18.0	25	4387	3203	885	5669	4066	1046	5225	3778	1243	5300	3830	1473	5088	3676	1535	4770	3443	1659	4558	3289	1721	
	19.0	27	4535	3311	898	5866	4282	1059	5422	3958	1257	5512	4024	1488	5300	3869	1550	4982	3637	1659	4770	3482	1721	
	22.0	30	5028	3275	898	6507	4246	1059	6014	3922	1257	6095	3985	1504	5883	3830	1566	5300	3714	1721	4929	3637	1814	
	24.0	32	5373	3275	912	6950	4246	1073	6408	3922	1272	6519	3985	1504	6254	3830	1581	5512	3792	1767	5035	3753	1876	
3.5+3.5	12.0	18	4091	2807	858	4634	3742	1019	4289	3455	1201	4346	3521	1426	4187	3366	1488	3922	3173	1597	3763	3018	1659	
	14.0	20	4091	2807	858	4979	3742	1019	4634	3491	1215	4664	3521	1442	4505	3405	1504	4187	3173	1612	4028	3057	1690	
	16.0	22	4091	2987	871	5324	3742	1032	4929	3491	1229	4982	3521	1457	4823	3405	1535	4505	3173	1643	4346	3057	1705	
	18.0	25	4387	3203	885	5669	4066	1046	5225	3778	1243	5300	3830	1473	5088	3676	1535	4770	3443	1659	4558	3289	1721	
	19.0	27	4535	3311	898	5866	4282	1059	5422	3958	1257	5512	4024	1488	5300	3869	1550	4982	3637	1659	4770	3482	1721	
	22.0	30	5028	3275	898	6507	4246	1059	6014	3922	1257	6095	3985	1504	5883	3830	1566	5300	3714	1721	4929	3637	1814	
	24.0	32	5373	3275	912	6950	4246	1073	6408	3922	1272	6519	3985	1504	6254	3830	1581	5512	3792	1767	5035	3753	1876	



	INDOOR		OUTDOOR TEMPERATURE (°CDB)																				
	EWB	EDB	-10			21			27			32			35			40			43		
	°C	°C	TC	SHC	PI	TC	SHC	PI	TC	SHC	PI	TC	SHC	PI	TC	SHC	PI	TC	SHC	PI	TC	SHC	PI
2.5+5.0	12.0	18	4091	2807	858	4634	3742	1019	4289	3455	1201	4346	3521	1426	4187	3366	1488	3922	3173	1597	3763	3018	1659
	14.0	20	4091	2807	858	4979	3742	1019	4634	3491	1215	4664	3521	1442	4505	3405	1504	4187	3173	1612	4028	3057	1690
	16.0	22	4091	2987	871	5324	3742	1032	4929	3491	1229	4982	3521	1457	4823	3405	1535	4505	3173	1643	4346	3057	1705
	18.0	25	4387	3203	885	5669	4066	1046	5225	3778	1243	5300	3830	1473	5088	3676	1535	4770	3443	1659	4558	3289	1721
	19.0	27	4535	3311	898	5866	4282	1059	5422	3958	1257	5512	4024	1488	5300	3869	1550	4982	3637	1659	4770	3482	1721
	22.0	30	5028	3275	898	6507	4246	1059	6014	3922	1257	6095	3985	1504	5883	3830	1566	5300	3714	1721	4929	3637	1814
	24.0	32	5373	3275	912	6950	4246	1073	6408	3922	1272	6519	3985	1504	6254	3830	1581	5512	3792	1767	5035	3753	1876
3.5+5.0	12.0	18	4091	2807	858	4634	3742	1019	4289	3455	1201	4346	3521	1426	4187	3366	1488	3922	3173	1597	3763	3018	1659
	14.0	20	4091	2807	858	4979	3742	1019	4634	3491	1215	4664	3521	1442	4505	3405	1504	4187	3173	1612	4028	3057	1690
	16.0	22	4091	2987	871	5324	3742	1032	4929	3491	1229	4982	3521	1457	4823	3405	1535	4505	3173	1643	4346	3057	1705
	18.0	25	4387	3203	885	5669	4066	1046	5225	3778	1243	5300	3830	1473	5088	3676	1535	4770	3443	1659	4558	3289	1721
	19.0	27	4535	3311	898	5866	4282	1059	5422	3958	1257	5512	4024	1488	5300	3869	1550	4982	3637	1659	4770	3482	1721
	22.0	30	5028	3275	898	6507	4246	1059	6014	3922	1257	6095	3985	1504	5883	3830	1566	5300	3714	1721	4929	3637	1814
	24.0	32	5373	3275	912	6950	4246	1073	6408	3922	1272	6519	3985	1504	6254	3830	1581	5512	3792	1767	5035	3753	1876
1.5+1.5+1.5	12.0	18	3474	2383	731	3934	3178	868	3641	2933	1023	3690	2989	1214	3555	2858	1267	3330	2694	1360	3195	2562	1412
	14.0	20	3474	2383	731	4227	3178	868	3934	2964	1035	3960	2989	1228	3825	2891	1280	3555	2694	1373	3420	2595	1439
	16.0	22	3474	2536	742	4520	3178	879	4185	2964	1047	4230	2989	1241	4095	2891	1307	3825	2694	1399	3690	2595	1452
	18.0	25	3725	2719	754	4813	3452	891	4436	3208	1059	4500	3252	1254	4320	3121	1307	4050	2924	1412	3870	2792	1465
	19.0	27	3851	2811	765	4981	3636	902	4604	3361	1071	4680	3416	1267	4500	3285	1320	4230	3088	1412	4050	2957	1465
	22.0	30	4269	2780	765	5525	3605	902	5106	3330	1071	5175	3384	1280	4995	3252	1333	4500	3154	1465	4185	3088	1544
	24.0	32	4562	2780	776	5901	3605	913	5441	3330	1083	5535	3384	1280	5310	3252	1346	4680	3219	1505	4275	3186	1597
1.5+1.5+1.8	12.0	18	3705	2542	786	4196	3389	933	3884	3129	1100	3936	3189	1306	3792	3048	1363	3552	2873	1463	3408	2733	1519
	14.0	20	3705	2542	786	4509	3389	933	4196	3161	1113	4224	3189	1321	4080	3084	1377	3792	2873	1477	3648	2768	1548
	16.0	22	3705	2705	798	4822	3389	946	4464	3161	1126	4512	3189	1335	4368	3084	1406	4080	2873	1505	3936	2768	1562
	18.0	25	3973	2900	811	5134	3683	958	4732	3422	1139	4800	3469	1349	4608	3329	1406	4320	3119	1519	4128	2978	1576
	19.0	27	4107	2998	823	5313	3878	970	4911	3585	1152	4992	3644	1363	4800	3504	1420	4512	3294	1519	4320	3154	1576
	22.0	30	4554	2966	823	5893	3846	970	5447	3552	1152	5520	3609	1377	5328	3469	1434	4800	3364	1576	4464	3294	1661
	24.0	32	4866	2966	835	6295	3846	983	5804	3552	1165	5904	3609	1377	5664	3469	1448	4992	3434	1619	4560	3399	1718
1.5+1.5+2.5	12.0	18	4091	2807	858	4634	3742	1019	4289	3455	1201	4346	3521	1426	4187	3366	1488	3922	3173	1597	3763	3018	1659
	14.0	20	4091	2807	858	4979	3742	1019	4634	3491	1215	4664	3521	1442	4505	3405	1504	4187	3173	1612	4028	3057	1690
	16.0	22	4091	2987	871	5324	3742	1032	4929	3491	1229	4982	3521	1457	4823	3405	1535	4505	3173	1643	4346	3057	1705
	18.0	25	4387	3203	885	5669	4066	1046	5225	3778	1243	5300	3830	1473	5088	3676	1535	4770	3443	1659	4558	3289	1721
	19.0	27	4535	3311	898	5866	4282	1059	5422	3958	1257	5512	4024	1488	5300	3869	1550	4982	3637	1659	4770	3482	1721
	22.0	30	5028	3275	898	6507	4246	1059	6014	3922	1257	6095	3985	1504	5883	3830	1566	5300	3714	1721	4929	3637	1814
	24.0	32	5373	3275	912	6950	4246	1073	6408	3922	1272	6519	3985	1504	6254	3830	1581	5512	3792	1767	5035	3753	1876
1.5+1.5+3.5	12.0	18	4091	2807	858	4634	3742	1019	4289	3455	1201	4346	3521	1426	4187	3366	1488	3922	3173	1597	3763	3018	1659
	14.0	20	4091	2807	858	4979	3742	1019	4634	3491	1215	4664	3521	1442	4505	3405	1504	4187	3173	1612	4028	3057	1690
	16.0	22	4091	2987	871	5324	3742	1032	4929	3491	1229	4982	3521	1457	4823	3405	1535	4505	3173	1643	4346	3057	1705
	18.0	25	4387	3203	885	5669	4066	1046	5225	3778	1243	5300	3830	1473	5088	3676	1535	4770	3443	1659	4558	3289	1721
	19.0	27	4535	3311	898	5866	4282	1059	5422	3958	1257	5512	4024	1488	5300	3869	1550	4982	3637	1659	4770	3482	1721
	22.0	30	5028	3275	898	6507	4246	1059	6014	3922	1257	6095	3985	1504	5883	3830	1566	5300	3714	1721	4929	3637	1814
	24.0	32	5373	3275	912	6950	4246	1073	6408	3922	1272	6519	3985	1504	6254	3830	1581	5512	3792	1767	5035	3753	1876

	INDOOR		OUTDOOR TEMPERATURE (°CDB)																				
	EWB	EDB	-10			21			27			32			35			40			43		
	°C	°C	TC	SHC	PI	TC	SHC	PI	TC	SHC	PI	TC	SHC	PI	TC	SHC	PI	TC	SHC	PI	TC	SHC	PI
1.5+1.5+5	12.0	18	4091	2807	858	4634	3742	1019	4289	3455	1201	4346	3521	1426	4187	3366	1488	3922	3173	1597	3763	3018	1659
	14.0	20	4091	2807	858	4979	3742	1019	4634	3491	1215	4664	3521	1442	4505	3405	1504	4187	3173	1612	4028	3057	1690
	16.0	22	4091	2987	871	5324	3742	1032	4929	3491	1229	4982	3521	1457	4823	3405	1535	4505	3173	1643	4346	3057	1705
	18.0	25	4387	3203	885	5669	4066	1046	5225	3778	1243	5300	3830	1473	5088	3676	1535	4770	3443	1659	4558	3289	1721
	19.0	27	4535	3311	898	5866	4282	1059	5422	3958	1257	5512	4024	1488	5300	3869	1550	4982	3637	1659	4770	3482	1721
	22.0	30	5028	3275	898	6507	4246	1059	6014	3922	1257	6095	3985	1504	5883	3830	1566	5300	3714	1721	4929	3637	1814
	24.0	32	5373	3275	912	6950	4246	1073	6408	3922	1272	6519	3985	1504	6254	3830	1581	5512	3792	1767	5035	3753	1876
1.5+1.8+1.8	12.0	18	3937	2701	830	4459	3601	986	4127	3324	1162	4182	3388	1380	4029	3239	1440	3774	3053	1545	3621	2904	1605
	14.0	20	3937	2701	830	4791	3601	986	4459	3359	1176	4488	3388	1395	4335	3276	1455	4029	3053	1560	3876	2941	1635
	16.0	22	3937	2874	843	5123	3601	999	4743	3359	1189	4794	3388	1410	4641	3276	1485	4335	3053	1590	4182	2941	1650
	18.0	25	4222	3082	856	5455	3913	1012	5028	3636	1203	5100	3686	1425	4896	3537	1485	4590	3313	1605	4386	3165	1665
	19.0	27	4364	3186	869	5645	4121	1025	5218	3809	1217	5304	3872	1440	5100	3723	1500	4794	3500	1605	4590	3351	1665
	22.0	30	4838	3151	869	6261	4086	1025	5787	3774	1217	5865	3835	1455	5661	3686	1515	5100	3574	1665	4743	3500	1755
	24.0	32	5170	3151	882	6688	4086	1038	6166	3774	1230	6273	3835	1455	6018	3686	1530	5304	3649	1710	4845	3611	1815
1.5+1.8+2.5	12.0	18	4091	2807	858	4634	3742	1019	4289	3455	1201	4346	3521	1426	4187	3366	1488	3922	3173	1597	3763	3018	1659
	14.0	20	4091	2807	858	4979	3742	1019	4634	3491	1215	4664	3521	1442	4505	3405	1504	4187	3173	1612	4028	3057	1690
	16.0	22	4091	2987	871	5324	3742	1032	4929	3491	1229	4982	3521	1457	4823	3405	1535	4505	3173	1643	4346	3057	1705
	18.0	25	4387	3203	885	5669	4066	1046	5225	3778	1243	5300	3830	1473	5088	3676	1535	4770	3443	1659	4558	3289	1721
	19.0	27	4535	3311	898	5866	4282	1059	5422	3958	1257	5512	4024	1488	5300	3869	1550	4982	3637	1659	4770	3482	1721
	22.0	30	5028	3275	898	6507	4246	1059	6014	3922	1257	6095	3985	1504	5883	3830	1566	5300	3714	1721	4929	3637	1814
	24.0	32	5373	3275	912	6950	4246	1073	6408	3922	1272	6519	3985	1504	6254	3830	1581	5512	3792	1767	5035	3753	1876
1.5+1.8+3.5	12.0	18	4091	2807	858	4634	3742	1019	4289	3455	1201	4346	3521	1426	4187	3366	1488	3922	3173	1597	3763	3018	1659
	14.0	20	4091	2807	858	4979	3742	1019	4634	3491	1215	4664	3521	1442	4505	3405	1504	4187	3173	1612	4028	3057	1690
	16.0	22	4091	2987	871	5324	3742	1032	4929	3491	1229	4982	3521	1457	4823	3405	1535	4505	3173	1643	4346	3057	1705
	18.0	25	4387	3203	885	5669	4066	1046	5225	3778	1243	5300	3830	1473	5088	3676	1535	4770	3443	1659	4558	3289	1721
	19.0	27	4535	3311	898	5866	4282	1059	5422	3958	1257	5512	4024	1488	5300	3869	1550	4982	3637	1659	4770	3482	1721
	22.0	30	5028	3275	898	6507	4246	1059	6014	3922	1257	6095	3985	1504	5883	3830	1566	5300	3714	1721	4929	3637	1814
	24.0	32	5373	3275	912	6950	4246	1073	6408	3922	1272	6519	3985	1504	6254	3830	1581	5512	3792	1767	5035	3753	1876
1.5+1.8+5	12.0	18	4091	2807	858	4634	3742	1019	4289	3455	1201	4346	3521	1426	4187	3366	1488	3922	3173	1597	3763	3018	1659
	14.0	20	4091	2807	858	4979	3742	1019	4634	3491	1215	4664	3521	1442	4505	3405	1504	4187	3173	1612	4028	3057	1690
	16.0	22	4091	2987	871	5324	3742	1032	4929	3491	1229	4982	3521	1457	4823	3405	1535	4505	3173	1643	4346	3057	1705
	18.0	25	4387	3203	885	5669	4066	1046	5225	3778	1243	5300	3830	1473	5088	3676	1535	4770	3443	1659	4558	3289	1721
	19.0	27	4535	3311	898	5866	4282	1059	5422	3958	1257	5512	4024	1488	5300	3869	1550	4982	3637	1659	4770	3482	1721
	22.0	30	5028	3275	898	6507	4246	1059	6014	3922	1257	6095	3985	1504	5883	3830	1566	5300	3714	1721	4929	3637	1814
	24.0	32	5373	3275	912	6950	4246	1073	6408	3922	1272	6519	3985	1504	6254	3830	1581	5512	3792	1767	5035	3753	1876
1.5+2.5+2.5	12.0	18	4091	2807	858	4634	3742	1019	4289	3455	1201	4346	3521	1426	4187	3366	1488	3922	3173	1597	3763	3018	1659
	14.0	20	4091	2807	858	4979	3742	1019	4634	3491	1215	4664	3521	1442	4505	3405	1504	4187	3173	1612	4028	3057	1690
	16.0	22	4091	2987	871	5324	3742	1032	4929	3491	1229	4982	3521	1457	4823	3405	1535	4505	3173	1643	4346	3057	1705
	18.0	25	4387	3203	885	5669	4066	1046	5225	3778	1243	5300	3830	1473	5088	3676	1535	4770	3443	1659	4558	3289	1721
	19.0	27	4535	3311	898	5866	4282	1059	5422	3958	1257	5512	4024	1488	5300	3869	1550	4982	3637	1659	4770	3482	1721
	22.0	30	5028	3275	898	6507	4246	1059	6014	3922	1257	6095	3985	1504	5883	3830	1566	5300	3714	1721	4929	3637	1814
	24.0	32	5373	3275	912	6950	4246	1073	6408	3922	1272	6519	3985	1504	6254	3830	1581	5512	3792	1767	5035	3753	1876

	INDOOR		OUTDOOR TEMPERATURE (°CDB)																				
	EWB	EDB	-10			21			27			32			35			40			43		
	°C	°C	TC	SHC	PI	TC	SHC	PI	TC	SHC	PI	TC	SHC	PI	TC	SHC	PI	TC	SHC	PI	TC	SHC	PI
1.5+2.5+3.5	12.0	18	4091	2807	858	4634	3742	1019	4289	3455	1201	4346	3521	1426	4187	3366	1488	3922	3173	1597	3763	3018	1659
	14.0	20	4091	2807	858	4979	3742	1019	4634	3491	1215	4664	3521	1442	4505	3405	1504	4187	3173	1612	4028	3057	1690
	16.0	22	4091	2987	871	5324	3742	1032	4929	3491	1229	4982	3521	1457	4823	3405	1535	4505	3173	1643	4346	3057	1705
	18.0	25	4387	3203	885	5669	4066	1046	5225	3778	1243	5300	3830	1473	5088	3676	1535	4770	3443	1659	4558	3289	1721
	19.0	27	4535	3311	898	5866	4282	1059	5422	3958	1257	5512	4024	1488	5300	3869	1550	4982	3637	1659	4770	3482	1721
	22.0	30	5028	3275	898	6507	4246	1059	6014	3922	1257	6095	3985	1504	5883	3830	1566	5300	3714	1721	4929	3637	1814
	24.0	32	5373	3275	912	6950	4246	1073	6408	3922	1272	6519	3985	1504	6254	3830	1581	5512	3792	1767	5035	3753	1876
1.5+3.5+3.5	12.0	18	4091	2807	858	4634	3742	1019	4289	3455	1201	4346	3521	1426	4187	3366	1488	3922	3173	1597	3763	3018	1659
	14.0	20	4091	2807	858	4979	3742	1019	4634	3491	1215	4664	3521	1442	4505	3405	1504	4187	3173	1612	4028	3057	1690
	16.0	22	4091	2987	871	5324	3742	1032	4929	3491	1229	4982	3521	1457	4823	3405	1535	4505	3173	1643	4346	3057	1705
	18.0	25	4387	3203	885	5669	4066	1046	5225	3778	1243	5300	3830	1473	5088	3676	1535	4770	3443	1659	4558	3289	1721
	19.0	27	4535	3311	898	5866	4282	1059	5422	3958	1257	5512	4024	1488	5300	3869	1550	4982	3637	1659	4770	3482	1721
	22.0	30	5028	3275	898	6507	4246	1059	6014	3922	1257	6095	3985	1504	5883	3830	1566	5300	3714	1721	4929	3637	1814
	24.0	32	5373	3275	912	6950	4246	1073	6408	3922	1272	6519	3985	1504	6254	3830	1581	5512	3792	1767	5035	3753	1876
1.8+1.8+1.8	12.0	18	4091	2807	858	4634	3742	1019	4289	3455	1201	4346	3521	1426	4187	3366	1488	3922	3173	1597	3763	3018	1659
	14.0	20	4091	2807	858	4979	3742	1019	4634	3491	1215	4664	3521	1442	4505	3405	1504	4187	3173	1612	4028	3057	1690
	16.0	22	4091	2987	871	5324	3742	1032	4929	3491	1229	4982	3521	1457	4823	3405	1535	4505	3173	1643	4346	3057	1705
	18.0	25	4387	3203	885	5669	4066	1046	5225	3778	1243	5300	3830	1473	5088	3676	1535	4770	3443	1659	4558	3289	1721
	19.0	27	4535	3311	898	5866	4282	1059	5422	3958	1257	5512	4024	1488	5300	3869	1550	4982	3637	1659	4770	3482	1721
	22.0	30	5028	3275	898	6507	4246	1059	6014	3922	1257	6095	3985	1504	5883	3830	1566	5300	3714	1721	4929	3637	1814
	24.0	32	5373	3275	912	6950	4246	1073	6408	3922	1272	6519	3985	1504	6254	3830	1581	5512	3792	1767	5035	3753	1876
1.8+1.8+2.5	12.0	18	4091	2807	858	4634	3742	1019	4289	3455	1201	4346	3521	1426	4187	3366	1488	3922	3173	1597	3763	3018	1659
	14.0	20	4091	2807	858	4979	3742	1019	4634	3491	1215	4664	3521	1442	4505	3405	1504	4187	3173	1612	4028	3057	1690
	16.0	22	4091	2987	871	5324	3742	1032	4929	3491	1229	4982	3521	1457	4823	3405	1535	4505	3173	1643	4346	3057	1705
	18.0	25	4387	3203	885	5669	4066	1046	5225	3778	1243	5300	3830	1473	5088	3676	1535	4770	3443	1659	4558	3289	1721
	19.0	27	4535	3311	898	5866	4282	1059	5422	3958	1257	5512	4024	1488	5300	3869	1550	4982	3637	1659	4770	3482	1721
	22.0	30	5028	3275	898	6507	4246	1059	6014	3922	1257	6095	3985	1504	5883	3830	1566	5300	3714	1721	4929	3637	1814
	24.0	32	5373	3275	912	6950	4246	1073	6408	3922	1272	6519	3985	1504	6254	3830	1581	5512	3792	1767	5035	3753	1876
1.8+1.8+3.5	12.0	18	4091	2807	858	4634	3742	1019	4289	3455	1201	4346	3521	1426	4187	3366	1488	3922	3173	1597	3763	3018	1659
	14.0	20	4091	2807	858	4979	3742	1019	4634	3491	1215	4664	3521	1442	4505	3405	1504	4187	3173	1612	4028	3057	1690
	16.0	22	4091	2987	871	5324	3742	1032	4929	3491	1229	4982	3521	1457	4823	3405	1535	4505	3173	1643	4346	3057	1705
	18.0	25	4387	3203	885	5669	4066	1046	5225	3778	1243	5300	3830	1473	5088	3676	1535	4770	3443	1659	4558	3289	1721
	19.0	27	4535	3311	898	5866	4282	1059	5422	3958	1257	5512	4024	1488	5300	3869	1550	4982	3637	1659	4770	3482	1721
	22.0	30	5028	3275	898	6507	4246	1059	6014	3922	1257	6095	3985	1504	5883	3830	1566	5300	3714	1721	4929	3637	1814
	24.0	32	5373	3275	912	6950	4246	1073	6408	3922	1272	6519	3985	1504	6254	3830	1581	5512	3792	1767	5035	3753	1876
1.8+1.8+5.0	12.0	18	4091	2807	858	4634	3742	1019	4289	3455	1201	4346	3521	1426	4187	3366	1488	3922	3173	1597	3763	3018	1659
	14.0	20	4091	2807	858	4979	3742	1019	4634	3491	1215	4664	3521	1442	4505	3405	1504	4187	3173	1612	4028	3057	1690
	16.0	22	4091	2987	871	5324	3742	1032	4929	3491	1229	4982	3521	1457	4823	3405	1535	4505	3173	1643	4346	3057	1705
	18.0	25	4387	3203	885	5669	4066	1046	5225	3778	1243	5300	3830	1473	5088	3676	1535	4770	3443	1659	4558	3289	1721
	19.0	27	4535	3311	898	5866	4282	1059	5422	3958	1257	5512	4024	1488	5300	3869	1550	4982	3637	1659	4770	3482	1721
	22.0	30	5028	3275	898	6507	4246	1059	6014	3922	1257	6095	3985	1504	5883	3830	1566	5300	3714	1721	4929	3637	1814
	24.0	32	5373	3275	912	6950	4246	1073	6408	3922	1272	6519	3985	1504	6254	3830	1581	5512	3792	1767	5035	3753	1876

		INDOOR		OUTDOOR TEMPERATURE (°CDB)																				
		EWB	EDB	-10			21			27			32			35			40			43		
		°C	°C	TC	SHC	PI	TC	SHC	PI	TC	SHC	PI	TC	SHC	PI	TC	SHC	PI	TC	SHC	PI	TC	SHC	PI
1.8+2.5+2.5	12.0	18	4091	2807	858	4634	3742	1019	4289	3455	1201	4346	3521	1426	4187	3366	1488	3922	3173	1597	3763	3018	1659	
	14.0	20	4091	2807	858	4979	3742	1019	4634	3491	1215	4664	3521	1442	4505	3405	1504	4187	3173	1612	4028	3057	1690	
	16.0	22	4091	2987	871	5324	3742	1032	4929	3491	1229	4982	3521	1457	4823	3405	1535	4505	3173	1643	4346	3057	1705	
	18.0	25	4387	3203	885	5669	4066	1046	5225	3778	1243	5300	3830	1473	5088	3676	1535	4770	3443	1659	4558	3289	1721	
	19.0	27	4535	3311	898	5866	4282	1059	5422	3958	1257	5512	4024	1488	5300	3869	1550	4982	3637	1659	4770	3482	1721	
	22.0	30	5028	3275	898	6507	4246	1059	6014	3922	1257	6095	3985	1504	5883	3830	1566	5300	3714	1721	4929	3637	1814	
	24.0	32	5373	3275	912	6950	4246	1073	6408	3922	1272	6519	3985	1504	6254	3830	1581	5512	3792	1767	5035	3753	1876	
1.8+2.5+3.5	12.0	18	4091	2807	858	4634	3742	1019	4289	3455	1201	4346	3521	1426	4187	3366	1488	3922	3173	1597	3763	3018	1659	
	14.0	20	4091	2807	858	4979	3742	1019	4634	3491	1215	4664	3521	1442	4505	3405	1504	4187	3173	1612	4028	3057	1690	
	16.0	22	4091	2987	871	5324	3742	1032	4929	3491	1229	4982	3521	1457	4823	3405	1535	4505	3173	1643	4346	3057	1705	
	18.0	25	4387	3203	885	5669	4066	1046	5225	3778	1243	5300	3830	1473	5088	3676	1535	4770	3443	1659	4558	3289	1721	
	19.0	27	4535	3311	898	5866	4282	1059	5422	3958	1257	5512	4024	1488	5300	3869	1550	4982	3637	1659	4770	3482	1721	
	22.0	30	5028	3275	898	6507	4246	1059	6014	3922	1257	6095	3985	1504	5883	3830	1566	5300	3714	1721	4929	3637	1814	
	24.0	32	5373	3275	912	6950	4246	1073	6408	3922	1272	6519	3985	1504	6254	3830	1581	5512	3792	1767	5035	3753	1876	
1.8+3.5+3.5	12.0	18	4091	2807	858	4634	3742	1019	4289	3455	1201	4346	3521	1426	4187	3366	1488	3922	3173	1597	3763	3018	1659	
	14.0	20	4091	2807	858	4979	3742	1019	4634	3491	1215	4664	3521	1442	4505	3405	1504	4187	3173	1612	4028	3057	1690	
	16.0	22	4091	2987	871	5324	3742	1032	4929	3491	1229	4982	3521	1457	4823	3405	1535	4505	3173	1643	4346	3057	1705	
	18.0	25	4387	3203	885	5669	4066	1046	5225	3778	1243	5300	3830	1473	5088	3676	1535	4770	3443	1659	4558	3289	1721	
	19.0	27	4535	3311	898	5866	4282	1059	5422	3958	1257	5512	4024	1488	5300	3869	1550	4982	3637	1659	4770	3482	1721	
	22.0	30	5028	3275	898	6507	4246	1059	6014	3922	1257	6095	3985	1504	5883	3830	1566	5300	3714	1721	4929	3637	1814	
	24.0	32	5373	3275	912	6950	4246	1073	6408	3922	1272	6519	3985	1504	6254	3830	1581	5512	3792	1767	5035	3753	1876	
2.5+2.5+2.5	12.0	18	4091	2807	858	4634	3742	1019	4289	3455	1201	4346	3521	1426	4187	3366	1488	3922	3173	1597	3763	3018	1659	
	14.0	20	4091	2807	858	4979	3742	1019	4634	3491	1215	4664	3521	1442	4505	3405	1504	4187	3173	1612	4028	3057	1690	
	16.0	22	4091	2987	871	5324	3742	1032	4929	3491	1229	4982	3521	1457	4823	3405	1535	4505	3173	1643	4346	3057	1705	
	18.0	25	4387	3203	885	5669	4066	1046	5225	3778	1243	5300	3830	1473	5088	3676	1535	4770	3443	1659	4558	3289	1721	
	19.0	27	4535	3311	898	5866	4282	1059	5422	3958	1257	5512	4024	1488	5300	3869	1550	4982	3637	1659	4770	3482	1721	
	22.0	30	5028	3275	898	6507	4246	1059	6014	3922	1257	6095	3985	1504	5883	3830	1566	5300	3714	1721	4929	3637	1814	
	24.0	32	5373	3275	912	6950	4246	1073	6408	3922	1272	6519	3985	1504	6254	3830	1581	5512	3792	1767	5035	3753	1876	
2.5+2.5+3.5	12.0	18	4091	2807	858	4634	3742	1019	4289	3455	1201	4346	3521	1426	4187	3366	1488	3922	3173	1597	3763	3018	1659	
	14.0	20	4091	2807	858	4979	3742	1019	4634	3491	1215	4664	3521	1442	4505	3405	1504	4187	3173	1612	4028	3057	1690	
	16.0	22	4091	2987	871	5324	3742	1032	4929	3491	1229	4982	3521	1457	4823	3405	1535	4505	3173	1643	4346	3057	1705	
	18.0	25	4387	3203	885	5669	4066	1046	5225	3778	1243	5300	3830	1473	5088	3676	1535	4770	3443	1659	4558	3289	1721	
	19.0	27	4535	3311	898	5866	4282	1059	5422	3958	1257	5512	4024	1488	5300	3869	1550	4982	3637	1659	4770	3482	1721	
	22.0	30	5028	3275	898	6507	4246	1059	6014	3922	1257	6095	3985	1504	5883	3830	1566	5300	3714	1721	4929	3637	1814	
	24.0	32	5373	3275	912	6950	4246	1073	6408	3922	1272	6519	3985	1504	6254	3830	1581	5512	3792	1767	5035	3753	1876	

EWB : Evaporator Wet Bulb temperature (°C)

TC : Total Capacity (W)

EDB : Evaporator Dry Bulb temperature (°C)

SHC : Sensible Heating Capacity (W)

(°CDB) : Outdoor Unit Inlet Air Dry Temperature (°C)

PI : Power Input

## HEATING [50Hz, 230V]

	INDOOR	OUTDOOR TEMPERATURE (°CDB)																								
		EDB	-15			-10			-7			-5			0			7			10			15		
			°C	TC	SHC	PI	TC	SHC	PI	TC	SHC	PI	TC	SHC	PI	TC	SHC	PI	TC	SHC	PI	TC	SHC	PI	TC	SHC
RAM-53NP3B	16	3664	0	1487	4451	0	1528	4924	0	1593	5239	0	1636	6026	0	1831	7128	0	1855	7364	0	1905	7758	0	2000	
	18	3682	0	1508	4474	0	1548	4948	0	1626	5265	0	1678	6056	0	1877	7164	0	1950	7401	0	1990	7813	0	2010	
	20	3701	0	1528	4496	0	1568	4973	0	1652	5291	0	1709	6087	0	1910	7200	0	2010	7439	0	2010	7836	0	2010	
	22	3719	0	1548	4519	0	1588	4998	0	1687	5318	0	1753	6117	0	1956	7214	0	2010	7453	0	2010	7852	0	2010	
	24	3738	0	1568	4541	0	1608	5023	0	1720	5344	0	1795	6148	0	2002	7229	0	2010	7468	0	2010	7868	0	2010	
1.5	16	1120	0	481	1360	0	494	1504	0	515	1601	0	529	1841	0	592	2178	0	600	2427	0	616	2801	0	647	
	18	1125	0	488	1367	0	501	1512	0	526	1609	0	543	1851	0	607	2189	0	631	2418	0	644	2387	0	677	
	20	1131	0	494	1374	0	507	1520	0	534	1617	0	553	1860	0	618	2200	0	650	2273	0	650	2394	0	650	
	22	1136	0	501	1381	0	514	1527	0	545	1625	0	567	1869	0	632	2204	0	650	2277	0	650	2399	0	650	
	24	1142	0	507	1388	0	520	1535	0	556	1633	0	580	1878	0	647	2209	0	650	2282	0	650	2404	0	650	
1.8	16	1628	0	777	1978	0	798	2188	0	832	2328	0	855	2678	0	957	3168	0	969	3530	0	995	4074	0	1045	
	18	1637	0	788	1988	0	809	2199	0	849	2340	0	877	2692	0	981	3184	0	1019	3517	0	1040	3472	0	1050	
	20	1645	0	798	1998	0	819	2210	0	863	2352	0	893	2705	0	998	3200	0	1050	3306	0	1050	3483	0	1050	
	22	1653	0	809	2008	0	830	2221	0	881	2364	0	916	2719	0	1022	3206	0	1050	3313	0	1050	3490	0	1050	
	24	1661	0	819	2018	0	840	2232	0	899	2375	0	938	2732	0	1046	3213	0	1050	3319	0	1050	3497	0	1050	
2.5	16	2392	0	1021	2906	0	1049	3214	0	1094	3420	0	1123	3934	0	1257	4653	0	1274	5184	0	1308	5983	0	1373	
	18	2404	0	1035	2920	0	1063	3230	0	1116	3437	0	1152	3953	0	1289	4677	0	1339	5165	0	1366	5100	0	1380	
	20	2416	0	1049	2935	0	1076	3246	0	1134	3454	0	1173	3973	0	1311	4700	0	1380	4856	0	1380	5115	0	1380	
	22	2428	0	1063	2950	0	1090	3263	0	1158	3471	0	1203	3993	0	1343	4709	0	1380	4865	0	1380	5126	0	1380	
	24	2440	0	1076	2964	0	1104	3279	0	1181	3489	0	1232	4013	0	1374	4719	0	1380	4875	0	1380	5136	0	1380	
3.5	16	2952	0	1384	3586	0	1421	3966	0	1482	4220	0	1522	4854	0	1704	5742	0	1726	6397	0	1773	7383	0	1861	
	18	2966	0	1403	3604	0	1440	3986	0	1513	4241	0	1561	4879	0	1747	5771	0	1814	6374	0	1851	6294	0	1870	
	20	2981	0	1421	3622	0	1459	4006	0	1537	4263	0	1590	4903	0	1777	5800	0	1870	5992	0	1870	6312	0	1870	
	22	2996	0	1440	3640	0	1477	4026	0	1569	4284	0	1631	4928	0	1820	5812	0	1870	6004	0	1870	6325	0	1870	
	24	3011	0	1459	3658	0	1496	4046	0	1600	4305	0	1670	4952	0	1863	5823	0	1870	6016	0	1870	6338	0	1870	
5	16	3664	0	1487	4451	0	1528	4924	0	1593	5239	0	1636	6026	0	1831	7128	0	1855	7942	0	1905	9166	0	2000	
	18	3682	0	1508	4474	0	1548	4948	0	1626	5265	0	1678	6056	0	1877	7164	0	1950	7913	0	1990	7813	0	2010	
	20	3701	0	1528	4496	0	1568	4973	0	1652	5291	0	1709	6087	0	1910	7200	0	2010	7439	0	2010	7836	0	2010	
	22	3719	0	1548	4519	0	1588	4998	0	1687	5318	0	1753	6117	0	1956	7214	0	2010	7453	0	2010	7852	0	2010	
	24	3738	0	1568	4541	0	1608	5023	0	1720	5344	0	1795	6148	0	2002	7229	0	2010	7468	0	2010	7868	0	2010	
1.5+1.5	16	2392	0	1021	2906	0	1049	3214	0	1094	3420	0	1123	3934	0	1257	4653	0	1274	5184	0	1308	5983	0	1373	
	18	2404	0	1035	2920	0	1063	3230	0	1116	3437	0	1152	3953	0	1289	4677	0	1339	5165	0	1366	5100	0	1380	
	20	2416	0	1049	2935	0	1076	3246	0	1134	3454	0	1173	3973	0	1311	4700	0	1380	4856	0	1380	5115	0	1380	
	22	2428	0	1063	2950	0	1090	3263	0	1158	3471	0	1203	3993	0	1343	4709	0	1380	4865	0	1380	5126	0	1380	
	24	2440	0	1076	2964	0	1104	3279	0	1181	3489	0	1232	4013	0	1374	4719	0	1380	4875	0	1380	5136	0	1380	
1.5+1.8	16	2646	0	1384	3215	0	1421	3556	0	1482	3783	0	1522	4352	0	1704	5148	0	1726	5736	0	1773	6620	0	1861	
	18	2660	0	1403	3231	0	1440	3574	0	1513	3802	0	1561	4374	0	1747	5174	0	1814	5715	0	1851	5642	0	1870	
	20	2673	0	1421	3247	0	1459	3592	0	1537	3822	0	1590	4396	0	1777	5200	0	1870	5372	0	1870	5659	0	1870	
	22	2686	0	1440	3263	0	1477	3610	0	1569	3841	0	1631	4418	0	1820	5210	0	1870	5383	0	1870	5671	0	1870	
	24	2700	0	1459	3280	0	1496	3628	0	1600	3860	0	1670	4440	0	1863	5221	0	1870	5394	0	1870	5682	0	1870	









	INDOOR	OUTDOOR TEMPERATURE (°CDB)																							
	EDB	-15			-10			-7			-5			0			7			10			15		
	°C	TC	SHC	PI	TC	SHC	PI	TC	SHC	PI	TC	SHC	PI	TC	SHC	PI	TC	SHC	PI	TC	SHC	PI	TC	SHC	PI
1.8+1.8+1.8	16	3664	0	1376	4451	0	1414	4924	0	1474	5239	0	1514	6026	0	1694	7128	0	1717	7942	0	1763	9166	0	1851
	18	3682	0	1395	4474	0	1432	4948	0	1505	5265	0	1553	6056	0	1737	7164	0	1804	7913	0	1841	7813	0	1860
	20	3701	0	1414	4496	0	1451	4973	0	1529	5291	0	1581	6087	0	1767	7200	0	1860	7439	0	1860	7836	0	1860
	22	3719	0	1432	4519	0	1469	4998	0	1561	5318	0	1622	6117	0	1810	7214	0	1860	7453	0	1860	7852	0	1860
	24	3738	0	1451	4541	0	1488	5023	0	1592	5344	0	1661	6148	0	1853	7229	0	1860	7468	0	1860	7868	0	1860
1.8+1.8+2.5	16	3664	0	1376	4451	0	1414	4924	0	1474	5239	0	1514	6026	0	1694	7128	0	1717	7942	0	1763	9166	0	1851
	18	3682	0	1395	4474	0	1432	4948	0	1505	5265	0	1553	6056	0	1737	7164	0	1804	7913	0	1841	7813	0	1860
	20	3701	0	1414	4496	0	1451	4973	0	1529	5291	0	1581	6087	0	1767	7200	0	1860	7439	0	1860	7836	0	1860
	22	3719	0	1432	4519	0	1469	4998	0	1561	5318	0	1622	6117	0	1810	7214	0	1860	7453	0	1860	7852	0	1860
	24	3738	0	1451	4541	0	1488	5023	0	1592	5344	0	1661	6148	0	1853	7229	0	1860	7468	0	1860	7868	0	1860
1.8+1.8+3.5	16	3664	0	1376	4451	0	1414	4924	0	1474	5239	0	1514	6026	0	1694	7128	0	1717	7942	0	1763	9166	0	1851
	18	3682	0	1395	4474	0	1432	4948	0	1505	5265	0	1553	6056	0	1737	7164	0	1804	7913	0	1841	7813	0	1860
	20	3701	0	1414	4496	0	1451	4973	0	1529	5291	0	1581	6087	0	1767	7200	0	1860	7439	0	1860	7836	0	1860
	22	3719	0	1432	4519	0	1469	4998	0	1561	5318	0	1622	6117	0	1810	7214	0	1860	7453	0	1860	7852	0	1860
	24	3738	0	1451	4541	0	1488	5023	0	1592	5344	0	1661	6148	0	1853	7229	0	1860	7468	0	1860	7868	0	1860
1.8+1.8+5.0	16	3664	0	1376	4451	0	1414	4924	0	1474	5239	0	1514	6026	0	1694	7128	0	1717	7942	0	1763	9166	0	1851
	18	3682	0	1395	4474	0	1432	4948	0	1505	5265	0	1553	6056	0	1737	7164	0	1804	7913	0	1841	7813	0	1860
	20	3701	0	1414	4496	0	1451	4973	0	1529	5291	0	1581	6087	0	1767	7200	0	1860	7439	0	1860	7836	0	1860
	22	3719	0	1432	4519	0	1469	4998	0	1561	5318	0	1622	6117	0	1810	7214	0	1860	7453	0	1860	7852	0	1860
	24	3738	0	1451	4541	0	1488	5023	0	1592	5344	0	1661	6148	0	1853	7229	0	1860	7468	0	1860	7868	0	1860
1.8+2.5+2.5	16	3664	0	1376	4451	0	1414	4924	0	1474	5239	0	1514	6026	0	1694	7128	0	1717	7942	0	1763	9166	0	1851
	18	3682	0	1395	4474	0	1432	4948	0	1505	5265	0	1553	6056	0	1737	7164	0	1804	7913	0	1841	7813	0	1860
	20	3701	0	1414	4496	0	1451	4973	0	1529	5291	0	1581	6087	0	1767	7200	0	1860	7439	0	1860	7836	0	1860
	22	3719	0	1432	4519	0	1469	4998	0	1561	5318	0	1622	6117	0	1810	7214	0	1860	7453	0	1860	7852	0	1860
	24	3738	0	1451	4541	0	1488	5023	0	1592	5344	0	1661	6148	0	1853	7229	0	1860	7468	0	1860	7868	0	1860
1.8+2.5+3.5	16	3664	0	1376	4451	0	1414	4924	0	1474	5239	0	1514	6026	0	1694	7128	0	1717	7942	0	1763	9166	0	1851
	18	3682	0	1395	4474	0	1432	4948	0	1505	5265	0	1553	6056	0	1737	7164	0	1804	7913	0	1841	7813	0	1860
	20	3701	0	1414	4496	0	1451	4973	0	1529	5291	0	1581	6087	0	1767	7200	0	1860	7439	0	1860	7836	0	1860
	22	3719	0	1432	4519	0	1469	4998	0	1561	5318	0	1622	6117	0	1810	7214	0	1860	7453	0	1860	7852	0	1860
	24	3738	0	1451	4541	0	1488	5023	0	1592	5344	0	1661	6148	0	1853	7229	0	1860	7468	0	1860	7868	0	1860
1.8+3.5+3.5	16	3664	0	1376	4451	0	1414	4924	0	1474	5239	0	1514	6026	0	1694	7128	0	1717	7942	0	1763	9166	0	1851
	18	3682	0	1395	4474	0	1432	4948	0	1505	5265	0	1553	6056	0	1737	7164	0	1804	7913	0	1841	7813	0	1860
	20	3701	0	1414	4496	0	1451	4973	0	1529	5291	0	1581	6087	0	1767	7200	0	1860	7439	0	1860	7836	0	1860
	22	3719	0	1432	4519	0	1469	4998	0	1561	5318	0	1622	6117	0	1810	7214	0	1860	7453	0	1860	7852	0	1860
	24	3738	0	1451	4541	0	1488	5023	0	1592	5344	0	1661	6148	0	1853	7229	0	1860	7468	0	1860	7868	0	1860
2.5+2.5+2.5	16	3664	0	1376	4451	0	1414	4924	0	1474	5239	0	1514	6026	0	1694	7128	0	1717	7942	0	1763	9166	0	1851
	18	3682	0	1395	4474	0	1432	4948	0	1505	5265	0	1553	6056	0	1737	7164	0	1804	7913	0	1841	7813	0	1860
	20	3701	0	1414	4496	0	1451	4973	0	1529	5291	0	1581	6087	0	1767	7200	0	1860	7439	0	1860	7836	0	1860
	22	3719	0	1432	4519	0	1469	4998	0	1561	5318	0	1622	6117	0	1810	7214	0	1860	7453	0	1860	7852	0	1860
	24	3738	0	1451	4541	0	1488	5023	0	1592	5344	0	1661	6148	0	1853	7229	0	1860	7468	0	1860	7868	0	1860
2.5+2.5+3.5	16	3664	0	1376	4451	0	1414	4924	0	1474	5239	0	1514	6026	0	1694	7128	0	1717	7942	0	1763	9166	0	1851
	18	3682	0	1395	4474	0	1432	4948	0	1505	5265	0	1553	6056	0	1737	7164	0	1804	7913	0	1841	7813	0	1860
	20	3701	0	1414	4496	0	1451	4973	0	1529	5291	0	1581	6087	0	1767	7200	0	1860	7439	0	1860	7836	0	1860
	22	3719	0	1432	4519	0	1469	4998	0	1561	5318	0	1622	6117	0	1810	7214	0	1860	7453	0	1860	7852	0	1860
	24	3738	0	1451	4541	0	1488	5023	0	1592	5344	0	1661	6148	0	1853	7229	0	1860	7468	0	1860	7868	0	1860

EWB : Evaporator Wet Bulb temperature (°C)

TC : Total Capacity (W)

EDB : Evaporator Dry Bulb temperature (°C)

SHC : Sensible Heating Capacity (W)

(°CDB) : Outdoor Unit Inlet Air Dry Temperature (°C)

PI : Power Input

3.2.5. RAM-68NP3B

COOLING [50Hz, 230V]

	INDOOR		OUTDOOR TEMPERATURE (°CDB)																				
	EWB	EDB	-10			21			27			32			35			40			43		
	°C	°C	TC	SHC	PI	TC	SHC	PI	TC	SHC	PI	TC	SHC	PI	TC	SHC	PI	TC	SHC	PI	TC	SHC	PI
RAM-68NP3B	12.0	18	4665	3555	1023	5740	5149	1320	5312	4753	1556	5576	5018	1914	5372	4797	1997	5032	4521	2142	4828	4301	2226
	14.0	20	4665	3555	1023	6167	5149	1320	5740	4803	1574	5984	5018	1934	5780	4852	2018	5372	4521	2163	5168	4356	2267
	16.0	22	4665	3783	1039	6595	5149	1337	6106	4803	1592	6392	5018	1955	6188	4852	2059	5780	4521	2205	5576	4356	2288
	18.0	25	5002	4056	1055	7022	5595	1355	6472	5199	1611	6800	5459	1976	6528	5238	2059	6120	4907	2226	5848	4687	2309
	19.0	27	5171	4193	1071	7266	5892	1372	6717	5446	1629	7072	5734	1997	6800	5514	2080	6392	5183	2226	6120	4962	2309
	22.0	30	5733	4147	1071	8060	5842	1372	7449	5397	1629	7820	5679	2018	7548	5459	2101	6800	5293	2309	6324	5183	2434
	24.0	32	6126	4147	1087	8610	5842	1390	7938	5397	1647	8364	5679	2018	8024	5459	2122	7072	5404	2371	6460	5348	2517
1.5	12.0	18	1029	784	197	1266	1136	254	1172	1048	299	1230	1107	368	1185	1058	384	1110	997	412	1065	949	428
	14.0	20	1029	784	197	1360	1136	254	1266	1059	303	1320	1107	372	1275	1070	388	1185	997	416	1140	961	436
	16.0	22	1029	834	200	1455	1136	257	1347	1059	306	1410	1107	376	1365	1070	396	1275	997	424	1230	961	440
	18.0	25	1103	895	203	1549	1234	261	1428	1147	310	1500	1204	380	1440	1155	396	1350	1083	428	1290	1034	444
	19.0	27	1141	925	206	1603	1300	264	1482	1201	313	1560	1265	384	1500	1216	400	1410	1143	428	1350	1095	444
	22.0	30	1265	915	206	1778	1289	264	1643	1190	313	1725	1253	388	1665	1204	404	1500	1168	444	1395	1143	468
	24.0	32	1351	915	209	1899	1289	267	1751	1190	317	1845	1253	388	1770	1204	408	1560	1192	456	1425	1180	484
1.8	12.0	18	1235	941	221	1519	1363	286	1406	1258	337	1476	1328	414	1422	1270	432	1332	1197	464	1278	1138	482
	14.0	20	1235	941	221	1632	1363	286	1519	1271	341	1584	1328	419	1530	1284	437	1422	1197	468	1368	1153	491
	16.0	22	1235	1001	225	1746	1363	289	1616	1271	345	1692	1328	423	1638	1284	446	1530	1197	477	1476	1153	495
	18.0	25	1324	1074	228	1859	1481	293	1713	1376	348	1800	1445	428	1728	1387	446	1620	1299	482	1548	1241	500
	19.0	27	1369	1110	232	1923	1560	297	1778	1442	352	1872	1518	432	1800	1460	450	1692	1372	482	1620	1314	500
	22.0	30	1518	1098	232	2134	1547	297	1972	1429	352	2070	1503	437	1998	1445	455	1800	1401	500	1674	1372	527
	24.0	32	1622	1098	235	2279	1547	301	2101	1429	356	2214	1503	437	2124	1445	459	1872	1430	513	1710	1416	545
2.5	12.0	18	1715	1307	320	2110	1893	413	1953	1747	486	2050	1845	598	1975	1764	624	1850	1662	670	1775	1581	696
	14.0	20	1715	1307	320	2267	1893	413	2110	1766	492	2200	1845	605	2125	1784	631	1975	1662	676	1900	1601	709
	16.0	22	1715	1391	325	2424	1893	418	2245	1766	498	2350	1845	611	2275	1784	644	2125	1662	689	2050	1601	715
	18.0	25	1839	1491	330	2582	2057	423	2380	1911	503	2500	2007	618	2400	1926	644	2250	1804	696	2150	1723	722
	19.0	27	1901	1541	335	2671	2166	429	2469	2002	509	2600	2108	624	2500	2027	650	2350	1906	696	2250	1824	722
	22.0	30	2108	1525	335	2963	2148	429	2739	1984	509	2875	2088	631	2775	2007	657	2500	1946	722	2325	1906	761
	24.0	32	2252	1525	340	3165	2148	434	2918	1984	515	3075	2088	631	2950	2007	663	2600	1987	741	2375	1966	787
3.5	12.0	18	2401	1830	507	2954	2650	654	2734	2446	770	2870	2583	948	2765	2469	989	2590	2327	1061	2485	2214	1102
	14.0	20	2401	1830	507	3174	2650	654	2954	2472	780	3080	2583	958	2975	2497	999	2765	2327	1071	2660	2242	1123
	16.0	22	2401	1947	515	3394	2650	662	3143	2472	789	3290	2583	968	3185	2497	1020	2975	2327	1092	2870	2242	1133
	18.0	25	2575	2088	523	3614	2880	671	3331	2676	798	3500	2810	979	3360	2696	1020	3150	2526	1102	3010	2412	1143
	19.0	27	2661	2158	530	3740	3033	680	3457	2803	807	3640	2952	989	3500	2838	1030	3290	2668	1102	3150	2554	1143
	22.0	30	2951	2135	530	4149	3007	680	3834	2778	807	4025	2923	999	3885	2810	1040	3500	2724	1143	3255	2668	1205
	24.0	32	3153	2135	538	4431	3007	688	4086	2778	816	4305	2923	999	4130	2810	1051	3640	2781	1174	3325	2753	1246
5.0	12.0	18	3430	2614	713	4220	3786	920	3906	3495	1085	4100	3689	1334	3950	3527	1392	3700	3325	1494	3550	3162	1552
	14.0	20	3430	2614	713	4535	3786	920	4220	3531	1097	4400	3689	1349	4250	3568	1407	3950	3325	1508	3800	3203	1581
	16.0	22	3430	2781	724	4849	3786	932	4490	3531	1110	4700	3689	1363	4550	3568	1436	4250	3325	1537	4100	3203	1595
	18.0	25	3678	2982	736	5163	4114	945	4759	3823	1123	5000	4014	1378	4800	3852	1436	4500	3608	1552	4300	3446	1610
	19.0	27	3802	3083	747	5343	4332	957	4939	4005	1136	5200	4216	1392	5000	4054	1450	4700	3811	1552	4500	3649	1610
	22.0	30	4215	3049	747	5927	4296	957	5478	3968	1136	5750	4176	1407	5550	4014	1465	5000	3892	1610	4650	3811	1697
	24.0	32	4505	3049	758	6331	4296	969	5837	3968	1148	6150	4176	1407	5900	4014	1479	5200	3973	1653	4750	3933	1755

		INDOOR		OUTDOOR TEMPERATURE (°CDB)																				
		EWB	EDB	-10			21			27			32			35			40			43		
		°C	°C	TC	SHC	PI	TC	SHC	PI	TC	SHC	PI	TC	SHC	PI	TC	SHC	PI	TC	SHC	PI	TC	SHC	PI
1.5+1.5	12.0	18	2058	1568	428	2532	2272	552	2344	2097	651	2460	2214	800	2370	2116	835	2220	1995	896	2130	1897	931	
	14.0	20	2058	1568	428	2721	2272	552	2532	2119	658	2640	2214	809	2550	2141	844	2370	1995	905	2280	1922	948	
	16.0	22	2058	1669	435	2909	2272	559	2694	2119	666	2820	2214	818	2730	2141	861	2550	1995	922	2460	1922	957	
	18.0	25	2207	1789	441	3098	2468	567	2856	2294	674	3000	2408	827	2880	2311	861	2700	2165	931	2580	2068	966	
	19.0	27	2281	1850	448	3206	2599	574	2963	2403	681	3120	2530	835	3000	2433	870	2820	2287	931	2700	2189	966	
	22.0	30	2529	1830	448	3556	2578	574	3287	2381	681	3450	2506	844	3330	2408	879	3000	2335	966	2790	2287	1018	
	24.0	32	2703	1830	455	3798	2578	581	3502	2381	689	3690	2506	844	3540	2408	887	3120	2384	992	2850	2360	1053	
1.5+1.8	12.0	18	2264	1725	467	2785	2499	603	2578	2307	711	2706	2435	874	2607	2328	912	2442	2194	979	2343	2087	1017	
	14.0	20	2264	1725	467	2993	2499	603	2785	2331	719	2904	2435	884	2805	2355	922	2607	2194	988	2508	2114	1036	
	16.0	22	2264	1836	475	3200	2499	611	2963	2331	727	3102	2435	893	3003	2355	941	2805	2194	1007	2706	2114	1045	
	18.0	25	2428	1968	482	3408	2715	619	3141	2523	736	3300	2649	903	3168	2542	941	2970	2382	1017	2838	2274	1055	
	19.0	27	2509	2035	489	3526	2859	627	3260	2643	744	3432	2783	912	3300	2676	950	3102	2515	1017	2970	2408	1055	
	22.0	30	2782	2013	489	3912	2835	627	3615	2619	744	3795	2756	922	3663	2649	960	3300	2569	1055	3069	2515	1112	
	24.0	32	2973	2013	497	4178	2835	635	3852	2619	752	4059	2756	922	3894	2649	969	3432	2622	1083	3135	2596	1150	
1.5+2.5	12.0	18	2744	2091	566	3376	3029	730	3125	2796	860	3280	2952	1058	3160	2822	1104	2960	2660	1185	2840	2530	1231	
	14.0	20	2744	2091	566	3628	3029	730	3376	2825	870	3520	2952	1070	3400	2854	1116	3160	2660	1196	3040	2562	1254	
	16.0	22	2744	2225	575	3879	3029	739	3592	2825	880	3760	2952	1081	3640	2854	1139	3400	2660	1219	3280	2562	1265	
	18.0	25	2942	2386	583	4131	3291	749	3807	3058	891	4000	3211	1093	3840	3081	1139	3600	2887	1231	3440	2757	1277	
	19.0	27	3042	2466	592	4274	3466	759	3951	3204	901	4160	3373	1104	4000	3243	1150	3760	3049	1231	3600	2919	1277	
	22.0	30	3372	2440	592	4741	3437	759	4382	3175	901	4600	3341	1116	4440	3211	1162	4000	3114	1277	3720	3049	1346	
	24.0	32	3604	2440	601	5064	3437	768	4669	3175	911	4920	3341	1116	4720	3211	1173	4160	3179	1311	3800	3146	1392	
1.5+3.5	12.0	18	3430	2614	713	4220	3786	920	3906	3495	1085	4100	3689	1334	3950	3527	1392	3700	3325	1494	3550	3162	1552	
	14.0	20	3430	2614	713	4535	3786	920	4220	3531	1097	4400	3689	1349	4250	3568	1407	3950	3325	1508	3800	3203	1581	
	16.0	22	3430	2781	724	4849	3786	932	4490	3531	1110	4700	3689	1363	4550	3568	1436	4250	3325	1537	4100	3203	1595	
	18.0	25	3678	2982	736	5163	4114	945	4759	3823	1123	5000	4014	1378	4800	3852	1436	4500	3608	1552	4300	3446	1610	
	19.0	27	3802	3083	747	5343	4332	957	4939	4005	1136	5200	4216	1392	5000	4054	1450	4700	3811	1552	4500	3649	1610	
	22.0	30	4215	3049	747	5927	4296	957	5478	3968	1136	5750	4176	1407	5550	4014	1465	5000	3892	1610	4650	3811	1697	
	24.0	32	4505	3049	758	6331	4296	969	5837	3968	1148	6150	4176	1407	5900	4014	1479	5200	3973	1653	4750	3933	1755	
1.5+5	12.0	18	4459	3398	959	5487	4922	1238	5078	4543	1459	5330	4796	1794	5135	4585	1872	4810	4322	2009	4615	4111	2087	
	14.0	20	4459	3398	959	5895	4922	1238	5487	4591	1476	5720	4796	1814	5525	4638	1892	5135	4322	2028	4940	4164	2126	
	16.0	22	4459	3616	974	6304	4922	1254	5837	4591	1493	6110	4796	1833	5915	4638	1931	5525	4322	2067	5330	4164	2145	
	18.0	25	4781	3877	989	6712	5348	1270	6187	4969	1510	6500	5218	1853	6240	5007	1931	5850	4691	2087	5590	4480	2165	
	19.0	27	4943	4008	1004	6946	5632	1286	6420	5206	1527	6760	5481	1872	6500	5271	1950	6110	4954	2087	5850	4744	2165	
	22.0	30	5480	3964	1004	7704	5585	1286	7121	5159	1527	7475	5429	1892	7215	5218	1970	6500	5060	2165	6045	4954	2282	
	24.0	32	5856	3964	1019	8230	5585	1303	7588	5159	1544	7995	5429	1892	7670	5218	1989	6760	5165	2223	6175	5112	2360	
1.8+1.8	12.0	18	2470	1882	502	3039	2726	647	2812	2516	763	2952	2656	938	2844	2540	979	2664	2394	1051	2556	2277	1091	
	14.0	20	2470	1882	502	3265	2726	647	3039	2543	772	3168	2656	949	3060	2569	989	2844	2394	1061	2736	2306	1112	
	16.0	22	2470	2003	510	3491	2726	656	3233	2543	781	3384	2656	959	3276	2569	1010	3060	2394	1081	2952	2306	1122	
	18.0	25	2648	2147	517	3718	2962	664	3427	2752	790	3600	2890	969	3456	2773	1010	3240	2598	1091	3096	2481	1132	
	19.0	27	2737	2220	525	3847	3119	673	3556	2883	799	3744	3036	979	3600	2919	1020	3384	2744	1091	3240	2627	1132	
	22.0	30	3035	2196	525	4267	3093	673	3944	2857	799	4140	3007	989	3996	2890	1030	3600	2802	1132	3348	2744	1193	
	24.0	32	3243	2196	533	4558	3093	681	4202	2857	808	4428	3007	989	4248	2890	1040	3744	2861	1163	3420	2832	1234	

	INDOOR		OUTDOOR TEMPERATURE (°CDB)																				
	EWB	EDB	-10			21			27			32			35			40			43		
	°C	°C	TC	SHC	PI	TC	SHC	PI	TC	SHC	PI	TC	SHC	PI	TC	SHC	PI	TC	SHC	PI	TC	SHC	PI
1.8+2.5	12.0	18	2950	2248	551	3630	3256	711	3359	3006	838	3526	3173	1030	3397	3033	1075	3182	2859	1154	3053	2720	1198
	14.0	20	2950	2248	551	3900	3256	711	3630	3037	848	3784	3173	1042	3655	3068	1086	3397	2859	1165	3268	2754	1221
	16.0	22	2950	2392	560	4170	3256	720	3861	3037	857	4042	3173	1053	3913	3068	1109	3655	2859	1187	3526	2754	1232
	18.0	25	3163	2565	568	4440	3538	730	4093	3287	867	4300	3452	1064	4128	3312	1109	3870	3103	1198	3698	2964	1243
	19.0	27	3270	2651	577	4595	3726	739	4247	3444	877	4472	3626	1075	4300	3487	1120	4042	3278	1198	3870	3138	1243
	22.0	30	3625	2623	577	5097	3694	739	4711	3413	877	4945	3591	1086	4773	3452	1131	4300	3347	1243	3999	3278	1310
	24.0	32	3874	2623	585	5444	3694	748	5020	3413	887	5289	3591	1086	5074	3452	1142	4472	3417	1277	4085	3382	1355
1.8+3.5	12.0	18	3636	2771	787	4474	4013	1015	4140	3705	1197	4346	3911	1472	4187	3739	1536	3922	3524	1648	3763	3352	1712
	14.0	20	3636	2771	787	4807	4013	1015	4474	3743	1211	4664	3911	1488	4505	3782	1552	4187	3524	1664	4028	3395	1744
	16.0	22	3636	2948	799	5140	4013	1029	4759	3743	1225	4982	3911	1504	4823	3782	1584	4505	3524	1696	4346	3395	1760
	18.0	25	3899	3161	812	5473	4361	1042	5045	4052	1239	5300	4255	1520	5088	4083	1584	4770	3825	1712	4558	3653	1776
	19.0	27	4030	3268	824	5663	4592	1056	5235	4245	1253	5512	4469	1536	5300	4298	1600	4982	4040	1712	4770	3868	1776
	22.0	30	4468	3232	824	6282	4554	1056	5806	4206	1253	6095	4426	1552	5883	4255	1616	5300	4126	1776	4929	4040	1872
	24.0	32	4775	3232	836	6710	4554	1069	6187	4206	1267	6519	4426	1552	6254	4255	1632	5512	4212	1824	5035	4169	1936
1.8+5.0	12.0	18	4665	3555	1008	5740	5149	1301	5312	4753	1533	5576	5018	1886	5372	4797	1968	5032	4521	2112	4828	4301	2194
	14.0	20	4665	3555	1008	6167	5149	1301	5740	4803	1551	5984	5018	1907	5780	4852	1989	5372	4521	2132	5168	4356	2235
	16.0	22	4665	3783	1024	6595	5149	1318	6106	4803	1569	6392	5018	1927	6188	4852	2030	5780	4521	2173	5576	4356	2255
	18.0	25	5002	4056	1040	7022	5595	1335	6472	5199	1588	6800	5459	1948	6528	5238	2030	6120	4907	2194	5848	4687	2276
	19.0	27	5171	4193	1056	7266	5892	1352	6717	5446	1606	7072	5734	1968	6800	5514	2050	6392	5183	2194	6120	4962	2276
	22.0	30	5733	4147	1056	8060	5842	1352	7449	5397	1606	7820	5679	1989	7548	5459	2071	6800	5293	2276	6324	5183	2399
	24.0	32	6126	4147	1072	8610	5842	1370	7938	5397	1624	8364	5679	1989	8024	5459	2091	7072	5404	2337	6460	5348	2481
2.5+2.5	12.0	18	3430	2614	694	4220	3786	895	3906	3495	1055	4100	3689	1297	3950	3527	1354	3700	3325	1452	3550	3162	1509
	14.0	20	3430	2614	694	4535	3786	895	4220	3531	1067	4400	3689	1311	4250	3568	1368	3950	3325	1466	3800	3203	1537
	16.0	22	3430	2781	704	4849	3786	907	4490	3531	1079	4700	3689	1325	4550	3568	1396	4250	3325	1495	4100	3203	1551
	18.0	25	3678	2982	715	5163	4114	918	4759	3823	1092	5000	4014	1340	4800	3852	1396	4500	3608	1509	4300	3446	1565
	19.0	27	3802	3083	726	5343	4332	930	4939	4005	1104	5200	4216	1354	5000	4054	1410	4700	3811	1509	4500	3649	1565
	22.0	30	4215	3049	726	5927	4296	930	5478	3968	1104	5750	4176	1368	5550	4014	1424	5000	3892	1565	4650	3811	1650
	24.0	32	4505	3049	737	6331	4296	942	5837	3968	1117	6150	4176	1368	5900	4014	1438	5200	3973	1607	4750	3933	1706
2.5+3.5	12.0	18	4116	3137	910	5064	4543	1174	4687	4194	1384	4920	4427	1702	4740	4233	1776	4440	3989	1906	4260	3795	1980
	14.0	20	4116	3137	910	5442	4543	1174	5064	4238	1400	5280	4427	1721	5100	4281	1795	4740	3989	1924	4560	3843	2017
	16.0	22	4116	3338	924	5819	4543	1190	5388	4238	1416	5640	4427	1739	5460	4281	1832	5100	3989	1961	4920	3843	2035
	18.0	25	4414	3579	939	6196	4937	1205	5711	4587	1433	6000	4817	1758	5760	4622	1832	5400	4330	1980	5160	4135	2054
	19.0	27	4562	3700	953	6411	5199	1221	5927	4806	1449	6240	5060	1776	6000	4865	1850	5640	4573	1980	5400	4379	2054
	22.0	30	5058	3659	953	7112	5155	1221	6573	4762	1449	6900	5011	1795	6660	4817	1869	6000	4671	2054	5580	4573	2165
	24.0	32	5406	3659	967	7597	5155	1236	7004	4762	1465	7380	5011	1795	7080	4817	1887	6240	4768	2109	5700	4719	2239
2.5+5.0	12.0	18	4665	3555	1013	5740	5149	1307	5312	4753	1541	5576	5018	1895	5372	4797	1978	5032	4521	2122	4828	4301	2204
	14.0	20	4665	3555	1013	6167	5149	1307	5740	4803	1559	5984	5018	1916	5780	4852	1998	5372	4521	2142	5168	4356	2245
	16.0	22	4665	3783	1029	6595	5149	1325	6106	4803	1577	6392	5018	1936	6188	4852	2039	5780	4521	2184	5576	4356	2266
	18.0	25	5002	4056	1045	7022	5595	1342	6472	5199	1595	6800	5459	1957	6528	5238	2039	6120	4907	2204	5848	4687	2287
	19.0	27	5171	4193	1061	7266	5892	1359	6717	5446	1613	7072	5734	1978	6800	5514	2060	6392	5183	2204	6120	4962	2287
	22.0	30	5733	4147	1061	8060	5842	1359	7449	5397	1613	7820	5679	1998	7548	5459	2081	6800	5293	2287	6324	5183	2410
	24.0	32	6126	4147	1077	8610	5842	1376	7938	5397	1632	8364	5679	1998	8024	5459	2101	7072	5404	2348	6460	5348	2493

	INDOOR		OUTDOOR TEMPERATURE (°CDB)																				
	EWB	EDB	-10			21			27			32			35			40			43		
	°C	°C	TC	SHC	PI	TC	SHC	PI	TC	SHC	PI	TC	SHC	PI	TC	SHC	PI	TC	SHC	PI	TC	SHC	PI
3.5+3.5	12.0	18	4665	3555	1013	5740	5149	1307	5312	4753	1541	5576	5018	1895	5372	4797	1978	5032	4521	2122	4828	4301	2204
	14.0	20	4665	3555	1013	6167	5149	1307	5740	4803	1559	5984	5018	1916	5780	4852	1998	5372	4521	2142	5168	4356	2245
	16.0	22	4665	3783	1029	6595	5149	1325	6106	4803	1577	6392	5018	1936	6188	4852	2039	5780	4521	2184	5576	4356	2266
	18.0	25	5002	4056	1045	7022	5595	1342	6472	5199	1595	6800	5459	1957	6528	5238	2039	6120	4907	2204	5848	4687	2287
	19.0	27	5171	4193	1061	7266	5892	1359	6717	5446	1613	7072	5734	1978	6800	5514	2060	6392	5183	2204	6120	4962	2287
	22.0	30	5733	4147	1061	8060	5842	1359	7449	5397	1613	7820	5679	1998	7548	5459	2081	6800	5293	2287	6324	5183	2410
	24.0	32	6126	4147	1077	8610	5842	1376	7938	5397	1632	8364	5679	1998	8024	5459	2101	7072	5404	2348	6460	5348	2493
3.5+5.0	12.0	18	4665	3555	1013	5740	5149	1307	5312	4753	1541	5576	5018	1895	5372	4797	1978	5032	4521	2122	4828	4301	2204
	14.0	20	4665	3555	1013	6167	5149	1307	5740	4803	1559	5984	5018	1916	5780	4852	1998	5372	4521	2142	5168	4356	2245
	16.0	22	4665	3783	1029	6595	5149	1325	6106	4803	1577	6392	5018	1936	6188	4852	2039	5780	4521	2184	5576	4356	2266
	18.0	25	5002	4056	1045	7022	5595	1342	6472	5199	1595	6800	5459	1957	6528	5238	2039	6120	4907	2204	5848	4687	2287
	19.0	27	5171	4193	1061	7266	5892	1359	6717	5446	1613	7072	5734	1978	6800	5514	2060	6392	5183	2204	6120	4962	2287
	22.0	30	5733	4147	1061	8060	5842	1359	7449	5397	1613	7820	5679	1998	7548	5459	2081	6800	5293	2287	6324	5183	2410
	24.0	32	6126	4147	1077	8610	5842	1376	7938	5397	1632	8364	5679	1998	8024	5459	2101	7072	5404	2348	6460	5348	2493
5.0+5.0	12.0	18	4665	3555	1013	5740	5149	1307	5312	4753	1541	5576	5018	1895	5372	4797	1978	5032	4521	2122	4828	4301	2204
	14.0	20	4665	3555	1013	6167	5149	1307	5740	4803	1559	5984	5018	1916	5780	4852	1998	5372	4521	2142	5168	4356	2245
	16.0	22	4665	3783	1029	6595	5149	1325	6106	4803	1577	6392	5018	1936	6188	4852	2039	5780	4521	2184	5576	4356	2266
	18.0	25	5002	4056	1045	7022	5595	1342	6472	5199	1595	6800	5459	1957	6528	5238	2039	6120	4907	2204	5848	4687	2287
	19.0	27	5171	4193	1061	7266	5892	1359	6717	5446	1613	7072	5734	1978	6800	5514	2060	6392	5183	2204	6120	4962	2287
	22.0	30	5733	4147	1061	8060	5842	1359	7449	5397	1613	7820	5679	1998	7548	5459	2081	6800	5293	2287	6324	5183	2410
	24.0	32	6126	4147	1077	8610	5842	1376	7938	5397	1632	8364	5679	1998	8024	5459	2101	7072	5404	2348	6460	5348	2493
1.5+1.5+1.5	12.0	18	3087	2352	689	3798	3408	889	3516	3145	1047	3690	3320	1288	3555	3175	1344	3330	2992	1442	3195	2846	1498
	14.0	20	3087	2352	689	4081	3408	889	3798	3178	1060	3960	3320	1302	3825	3211	1358	3555	2992	1456	3420	2883	1526
	16.0	22	3087	2503	699	4364	3408	900	4041	3178	1072	4230	3320	1316	4095	3211	1386	3825	2992	1484	3690	2883	1540
	18.0	25	3310	2684	710	4647	3702	912	4283	3440	1084	4500	3612	1330	4320	3466	1386	4050	3248	1498	3870	3102	1554
	19.0	27	3422	2775	721	4809	3899	924	4445	3604	1096	4680	3795	1344	4500	3649	1400	4230	3430	1498	4050	3284	1554
	22.0	30	3794	2744	721	5334	3866	924	4930	3571	1096	5175	3758	1358	4995	3612	1414	4500	3503	1554	4185	3430	1638
	24.0	32	4054	2744	732	5698	3866	935	5253	3571	1109	5535	3758	1358	5310	3612	1428	4680	3576	1596	4275	3539	1694
1.5+1.5+1.8	12.0	18	3293	2509	728	4052	3635	939	3750	3355	1107	3936	3542	1362	3792	3386	1421	3552	3192	1524	3408	3036	1584
	14.0	20	3293	2509	728	4353	3635	939	4052	3390	1120	4224	3542	1376	4080	3425	1436	3792	3192	1539	3648	3075	1613
	16.0	22	3293	2670	739	4655	3635	952	4310	3390	1133	4512	3542	1391	4368	3425	1465	4080	3192	1569	3936	3075	1628
	18.0	25	3531	2863	751	4957	3949	964	4569	3670	1146	4800	3853	1406	4608	3698	1465	4320	3464	1584	4128	3308	1643
	19.0	27	3650	2960	762	5129	4159	976	4741	3844	1159	4992	4048	1421	4800	3892	1480	4512	3659	1584	4320	3503	1643
	22.0	30	4047	2927	762	5689	4124	976	5258	3810	1159	5520	4009	1436	5328	3853	1495	4800	3736	1643	4464	3659	1732
	24.0	32	4324	2927	774	6077	4124	989	5603	3810	1172	5904	4009	1436	5664	3853	1510	4992	3814	1687	4560	3775	1791
1.5+1.5+2.5	12.0	18	3773	2875	826	4642	4165	1066	4297	3844	1257	4510	4058	1546	4345	3880	1613	4070	3657	1730	3905	3479	1798
	14.0	20	3773	2875	826	4988	4165	1066	4642	3885	1271	4840	4058	1562	4675	3925	1630	4345	3657	1747	4180	3523	1831
	16.0	22	3773	3059	839	5334	4165	1080	4939	3885	1286	5170	4058	1579	5005	3925	1663	4675	3657	1781	4510	3523	1848
	18.0	25	4046	3281	852	5680	4525	1094	5235	4205	1301	5500	4415	1596	5280	4237	1663	4950	3969	1798	4730	3791	1865
	19.0	27	4182	3391	865	5877	4766	1108	5433	4405	1316	5720	4638	1613	5500	4460	1680	5170	4192	1798	4950	4014	1865
	22.0	30	4637	3354	865	6519	4726	1108	6025	4365	1316	6325	4594	1630	6105	4415	1697	5500	4281	1865	5115	4192	1966
	24.0	32	4955	3354	878	6964	4726	1122	6420	4365	1331	6765	4594	1630	6490	4415	1714	5720	4371	1915	5225	4326	2033

	INDOOR		OUTDOOR TEMPERATURE (°CDB)																				
	EWB	EDB	-10			21			27			32			35			40			43		
	°C	°C	TC	SHC	PI	TC	SHC	PI	TC	SHC	PI	TC	SHC	PI	TC	SHC	PI	TC	SHC	PI	TC	SHC	PI
1.5+1.5+3.5	12.0	18	4459	3398	989	5487	4922	1276	5078	4543	1503	5330	4796	1849	5135	4585	1930	4810	4322	2070	4615	4111	2151
	14.0	20	4459	3398	989	5895	4922	1276	5487	4591	1521	5720	4796	1869	5525	4638	1950	5135	4322	2090	4940	4164	2191
	16.0	22	4459	3616	1004	6304	4922	1292	5837	4591	1539	6110	4796	1889	5915	4638	1990	5525	4322	2131	5330	4164	2211
	18.0	25	4781	3877	1020	6712	5348	1309	6187	4969	1557	6500	5218	1910	6240	5007	1990	5850	4691	2151	5590	4480	2231
	19.0	27	4943	4008	1035	6946	5632	1326	6420	5206	1574	6760	5481	1930	6500	5271	2010	6110	4954	2151	5850	4744	2231
	22.0	30	5480	3964	1035	7704	5585	1326	7121	5159	1574	7475	5429	1950	7215	5218	2030	6500	5060	2231	6045	4954	2352
	24.0	32	5856	3964	1051	8230	5585	1343	7588	5159	1592	7995	5429	1950	7670	5218	2050	6760	5165	2291	6175	5112	2432
1.5+1.5+5	12.0	18	4665	3555	1033	5740	5149	1333	5312	4753	1571	5576	5018	1932	5372	4797	2016	5032	4521	2163	4828	4301	2247
	14.0	20	4665	3555	1033	6167	5149	1333	5740	4803	1589	5984	5018	1953	5780	4852	2037	5372	4521	2184	5168	4356	2289
	16.0	22	4665	3783	1049	6595	5149	1350	6106	4803	1608	6392	5018	1974	6188	4852	2079	5780	4521	2226	5576	4356	2310
	18.0	25	5002	4056	1065	7022	5595	1368	6472	5199	1626	6800	5459	1995	6528	5238	2079	6120	4907	2247	5848	4687	2331
	19.0	27	5171	4193	1082	7266	5892	1385	6717	5446	1645	7072	5734	2016	6800	5514	2100	6392	5183	2247	6120	4962	2331
	22.0	30	5733	4147	1082	8060	5842	1385	7449	5397	1645	7820	5679	2037	7548	5459	2121	6800	5293	2331	6324	5183	2457
	24.0	32	6126	4147	1098	8610	5842	1403	7938	5397	1663	8364	5679	2037	8024	5459	2142	7072	5404	2394	6460	5348	2541
1.5+1.8+1.8	12.0	18	3499	2666	763	4305	3862	984	3984	3565	1159	4182	3763	1426	4029	3598	1488	3774	3391	1597	3621	3226	1659
	14.0	20	3499	2666	763	4625	3862	984	4305	3602	1173	4488	3763	1442	4335	3639	1504	4029	3391	1612	3876	3267	1690
	16.0	22	3499	2837	774	4946	3862	997	4580	3602	1187	4794	3763	1457	4641	3639	1535	4335	3391	1643	4182	3267	1705
	18.0	25	3752	3042	786	5267	4196	1010	4854	3899	1200	5100	4094	1473	4896	3929	1535	4590	3681	1659	4386	3515	1721
	19.0	27	3878	3145	798	5450	4419	1023	5038	4085	1214	5304	4301	1488	5100	4135	1550	4794	3887	1659	4590	3722	1721
	22.0	30	4300	3110	798	6045	4382	1023	5587	4048	1214	5865	4259	1504	5661	4094	1566	5100	3970	1721	4743	3887	1814
	24.0	32	4595	3110	810	6457	4382	1036	5953	4048	1228	6273	4259	1504	6018	4094	1581	5304	4053	1767	4845	4011	1876
1.5+1.8+2.5	12.0	18	3979	3032	886	4896	4392	1142	4531	4054	1346	4756	4280	1656	4582	4092	1728	4292	3856	1854	4118	3668	1926
	14.0	20	3979	3032	886	5260	4392	1142	4896	4096	1362	5104	4280	1674	4930	4139	1746	4582	3856	1872	4408	3715	1962
	16.0	22	3979	3226	899	5625	4392	1157	5208	4096	1378	5452	4280	1692	5278	4139	1782	4930	3856	1908	4756	3715	1980
	18.0	25	4267	3460	913	5989	4772	1172	5521	4434	1394	5800	4656	1710	5568	4468	1782	5220	4186	1926	4988	3998	1998
	19.0	27	4410	3576	927	6198	5025	1188	5729	4645	1410	6032	4891	1728	5800	4703	1800	5452	4421	1926	5220	4233	1998
	22.0	30	4890	3537	927	6875	4983	1188	6354	4603	1410	6670	4844	1746	6438	4656	1818	5800	4515	1998	5394	4421	2106
	24.0	32	5225	3537	941	7344	4983	1203	6771	4603	1426	7134	4844	1746	6844	4656	1836	6032	4609	2052	5510	4562	2178
1.5+1.8+3.5	12.0	18	4665	3555	1033	5740	5149	1333	5312	4753	1571	5576	5018	1932	5372	4797	2016	5032	4521	2163	4828	4301	2247
	14.0	20	4665	3555	1033	6167	5149	1333	5740	4803	1589	5984	5018	1953	5780	4852	2037	5372	4521	2184	5168	4356	2289
	16.0	22	4665	3783	1049	6595	5149	1350	6106	4803	1608	6392	5018	1974	6188	4852	2079	5780	4521	2226	5576	4356	2310
	18.0	25	5002	4056	1065	7022	5595	1368	6472	5199	1626	6800	5459	1995	6528	5238	2079	6120	4907	2247	5848	4687	2331
	19.0	27	5171	4193	1082	7266	5892	1385	6717	5446	1645	7072	5734	2016	6800	5514	2100	6392	5183	2247	6120	4962	2331
	22.0	30	5733	4147	1082	8060	5842	1385	7449	5397	1645	7820	5679	2037	7548	5459	2121	6800	5293	2331	6324	5183	2457
	24.0	32	6126	4147	1098	8610	5842	1403	7938	5397	1663	8364	5679	2037	8024	5459	2142	7072	5404	2394	6460	5348	2541
1.5+1.8+5	12.0	18	4665	3555	1033	5740	5149	1333	5312	4753	1571	5576	5018	1932	5372	4797	2016	5032	4521	2163	4828	4301	2247
	14.0	20	4665	3555	1033	6167	5149	1333	5740	4803	1589	5984	5018	1953	5780	4852	2037	5372	4521	2184	5168	4356	2289
	16.0	22	4665	3783	1049	6595	5149	1350	6106	4803	1608	6392	5018	1974	6188	4852	2079	5780	4521	2226	5576	4356	2310
	18.0	25	5002	4056	1065	7022	5595	1368	6472	5199	1626	6800	5459	1995	6528	5238	2079	6120	4907	2247	5848	4687	2331
	19.0	27	5171	4193	1082	7266	5892	1385	6717	5446	1645	7072	5734	2016	6800	5514	2100	6392	5183	2247	6120	4962	2331
	22.0	30	5733	4147	1082	8060	5842	1385	7449	5397	1645	7820	5679	2037	7548	5459	2121	6800	5293	2331	6324	5183	2457
	24.0	32	6126	4147	1098	8610	5842	1403	7938	5397	1663	8364	5679	2037	8024	5459	2142	7072	5404	2394	6460	5348	2541

	INDOOR		OUTDOOR TEMPERATURE (°CDB)																				
	EWB	EDB	-10			21			27			32			35			40			43		
	°C	°C	TC	SHC	PI	TC	SHC	PI	TC	SHC	PI	TC	SHC	PI	TC	SHC	PI	TC	SHC	PI	TC	SHC	PI
1.5+2.5+2.5	12.0	18	4459	3398	994	5487	4922	1282	5078	4543	1511	5330	4796	1858	5135	4585	1939	4810	4322	2081	4615	4111	2161
	14.0	20	4459	3398	994	5895	4922	1282	5487	4591	1529	5720	4796	1879	5525	4638	1959	5135	4322	2101	4940	4164	2202
	16.0	22	4459	3616	1009	6304	4922	1299	5837	4591	1547	6110	4796	1899	5915	4638	2000	5525	4322	2141	5330	4164	2222
	18.0	25	4781	3877	1025	6712	5348	1316	6187	4969	1564	6500	5218	1919	6240	5007	2000	5850	4691	2161	5590	4480	2242
	19.0	27	4943	4008	1040	6946	5632	1333	6420	5206	1582	6760	5481	1939	6500	5271	2020	6110	4954	2161	5850	4744	2242
	22.0	30	5480	3964	1040	7704	5585	1333	7121	5159	1582	7475	5429	1959	7215	5218	2040	6500	5060	2242	6045	4954	2363
	24.0	32	5856	3964	1056	8230	5585	1350	7588	5159	1600	7995	5429	1959	7670	5218	2060	6760	5165	2303	6175	5112	2444
1.5+2.5+3.5	12.0	18	4665	3555	1033	5740	5149	1333	5312	4753	1571	5576	5018	1932	5372	4797	2016	5032	4521	2163	4828	4301	2247
	14.0	20	4665	3555	1033	6167	5149	1333	5740	4803	1589	5984	5018	1953	5780	4852	2037	5372	4521	2184	5168	4356	2289
	16.0	22	4665	3783	1049	6595	5149	1350	6106	4803	1608	6392	5018	1974	6188	4852	2079	5780	4521	2226	5576	4356	2310
	18.0	25	5002	4056	1065	7022	5595	1368	6472	5199	1626	6800	5459	1995	6528	5238	2079	6120	4907	2247	5848	4687	2331
	19.0	27	5171	4193	1082	7266	5892	1385	6717	5446	1645	7072	5734	2016	6800	5514	2100	6392	5183	2247	6120	4962	2331
	22.0	30	5733	4147	1082	8060	5842	1385	7449	5397	1645	7820	5679	2037	7548	5459	2121	6800	5293	2331	6324	5183	2457
	24.0	32	6126	4147	1098	8610	5842	1403	7938	5397	1663	8364	5679	2037	8024	5459	2142	7072	5404	2394	6460	5348	2541
1.5+2.5+5	12.0	18	4665	3555	1033	5740	5149	1333	5312	4753	1571	5576	5018	1932	5372	4797	2016	5032	4521	2163	4828	4301	2247
	14.0	20	4665	3555	1033	6167	5149	1333	5740	4803	1589	5984	5018	1953	5780	4852	2037	5372	4521	2184	5168	4356	2289
	16.0	22	4665	3783	1049	6595	5149	1350	6106	4803	1608	6392	5018	1974	6188	4852	2079	5780	4521	2226	5576	4356	2310
	18.0	25	5002	4056	1065	7022	5595	1368	6472	5199	1626	6800	5459	1995	6528	5238	2079	6120	4907	2247	5848	4687	2331
	19.0	27	5171	4193	1082	7266	5892	1385	6717	5446	1645	7072	5734	2016	6800	5514	2100	6392	5183	2247	6120	4962	2331
	22.0	30	5733	4147	1082	8060	5842	1385	7449	5397	1645	7820	5679	2037	7548	5459	2121	6800	5293	2331	6324	5183	2457
	24.0	32	6126	4147	1098	8610	5842	1403	7938	5397	1663	8364	5679	2037	8024	5459	2142	7072	5404	2394	6460	5348	2541
1.5+3.5+3.5	12.0	18	4665	3555	1033	5740	5149	1333	5312	4753	1571	5576	5018	1932	5372	4797	2016	5032	4521	2163	4828	4301	2247
	14.0	20	4665	3555	1033	6167	5149	1333	5740	4803	1589	5984	5018	1953	5780	4852	2037	5372	4521	2184	5168	4356	2289
	16.0	22	4665	3783	1049	6595	5149	1350	6106	4803	1608	6392	5018	1974	6188	4852	2079	5780	4521	2226	5576	4356	2310
	18.0	25	5002	4056	1065	7022	5595	1368	6472	5199	1626	6800	5459	1995	6528	5238	2079	6120	4907	2247	5848	4687	2331
	19.0	27	5171	4193	1082	7266	5892	1385	6717	5446	1645	7072	5734	2016	6800	5514	2100	6392	5183	2247	6120	4962	2331
	22.0	30	5733	4147	1082	8060	5842	1385	7449	5397	1645	7820	5679	2037	7548	5459	2121	6800	5293	2331	6324	5183	2457
	24.0	32	6126	4147	1098	8610	5842	1403	7938	5397	1663	8364	5679	2037	8024	5459	2142	7072	5404	2394	6460	5348	2541
1.5+3.5+5	12.0	18	4665	3555	1033	5740	5149	1333	5312	4753	1571	5576	5018	1932	5372	4797	2016	5032	4521	2163	4828	4301	2247
	14.0	20	4665	3555	1033	6167	5149	1333	5740	4803	1589	5984	5018	1953	5780	4852	2037	5372	4521	2184	5168	4356	2289
	16.0	22	4665	3783	1049	6595	5149	1350	6106	4803	1608	6392	5018	1974	6188	4852	2079	5780	4521	2226	5576	4356	2310
	18.0	25	5002	4056	1065	7022	5595	1368	6472	5199	1626	6800	5459	1995	6528	5238	2079	6120	4907	2247	5848	4687	2331
	19.0	27	5171	4193	1082	7266	5892	1385	6717	5446	1645	7072	5734	2016	6800	5514	2100	6392	5183	2247	6120	4962	2331
	22.0	30	5733	4147	1082	8060	5842	1385	7449	5397	1645	7820	5679	2037	7548	5459	2121	6800	5293	2331	6324	5183	2457
	24.0	32	6126	4147	1098	8610	5842	1403	7938	5397	1663	8364	5679	2037	8024	5459	2142	7072	5404	2394	6460	5348	2541
1.8+1.8+1.8	12.0	18	3705	2823	713	4558	4089	920	4219	3775	1085	4428	3985	1334	4266	3809	1392	3996	3590	1494	3834	3415	1552
	14.0	20	3705	2823	713	4897	4089	920	4558	3814	1097	4752	3985	1349	4590	3853	1407	4266	3590	1508	4104	3459	1581
	16.0	22	3705	3004	724	5237	4089	932	4849	3814	1110	5076	3985	1363	4914	3853	1436	4590	3590	1537	4428	3459	1595
	18.0	25	3972	3221	736	5576	4443	945	5140	4128	1123	5400	4335	1378	5184	4160	1436	4860	3897	1552	4644	3722	1610
	19.0	27	4106	3330	747	5770	4679	957	5334	4325	1136	5616	4554	1392	5400	4379	1450	5076	4116	1552	4860	3941	1610
	22.0	30	4553	3293	747	6401	4640	957	5916	4286	1136	6210	4510	1407	5994	4335	1465	5400	4204	1610	5022	4116	1697
	24.0	32	4865	3293	758	6837	4640	969	6304	4286	1148	6642	4510	1407	6372	4335	1479	5616	4291	1653	5130	4247	1755

	INDOOR		OUTDOOR TEMPERATURE (°CDB)																				
	EWB	EDB	-10			21			27			32			35			40			43		
	°C	°C	TC	SHC	PI	TC	SHC	PI	TC	SHC	PI	TC	SHC	PI	TC	SHC	PI	TC	SHC	PI	TC	SHC	PI
1.8+1.8+2.5	12.0	18	4185	3189	846	5149	4619	1092	4765	4264	1287	5002	4501	1582	4819	4303	1651	4514	4056	1772	4331	3858	1840
	14.0	20	4185	3189	846	5532	4619	1092	5149	4308	1302	5368	4501	1600	5185	4353	1668	4819	4056	1789	4636	3908	1875
	16.0	22	4185	3393	859	5916	4619	1106	5478	4308	1317	5734	4501	1617	5551	4353	1703	5185	4056	1823	5002	3908	1892
	18.0	25	4487	3639	873	6299	5019	1120	5806	4664	1332	6100	4897	1634	5856	4699	1703	5490	4402	1840	5246	4204	1909
	19.0	27	4638	3761	886	6518	5285	1135	6025	4886	1347	6344	5144	1651	6100	4946	1720	5734	4649	1840	5490	4452	1909
	22.0	30	5143	3720	886	7230	5241	1135	6683	4841	1347	7015	5095	1668	6771	4897	1737	6100	4748	1909	5673	4649	2012
	24.0	32	5496	3720	899	7723	5241	1149	7121	4841	1362	7503	5095	1668	7198	4897	1754	6344	4847	1961	5795	4798	2081
1.8+1.8+3.5	12.0	18	4665	3555	1023	5740	5149	1320	5312	4753	1556	5576	5018	1914	5372	4797	1997	5032	4521	2142	4828	4301	2226
	14.0	20	4665	3555	1023	6167	5149	1320	5740	4803	1574	5984	5018	1934	5780	4852	2018	5372	4521	2163	5168	4356	2267
	16.0	22	4665	3783	1039	6595	5149	1337	6106	4803	1592	6392	5018	1955	6188	4852	2059	5780	4521	2205	5576	4356	2288
	18.0	25	5002	4056	1055	7022	5595	1355	6472	5199	1611	6800	5459	1976	6528	5238	2059	6120	4907	2226	5848	4687	2309
	19.0	27	5171	4193	1071	7266	5892	1372	6717	5446	1629	7072	5734	1997	6800	5514	2080	6392	5183	2226	6120	4962	2309
	22.0	30	5733	4147	1071	8060	5842	1372	7449	5397	1629	7820	5679	2018	7548	5459	2101	6800	5293	2309	6324	5183	2434
	24.0	32	6126	4147	1087	8610	5842	1390	7938	5397	1647	8364	5679	2018	8024	5459	2122	7072	5404	2371	6460	5348	2517
1.8+1.8+5.0	12.0	18	4665	3555	1023	5740	5149	1320	5312	4753	1556	5576	5018	1914	5372	4797	1997	5032	4521	2142	4828	4301	2226
	14.0	20	4665	3555	1023	6167	5149	1320	5740	4803	1574	5984	5018	1934	5780	4852	2018	5372	4521	2163	5168	4356	2267
	16.0	22	4665	3783	1039	6595	5149	1337	6106	4803	1592	6392	5018	1955	6188	4852	2059	5780	4521	2205	5576	4356	2288
	18.0	25	5002	4056	1055	7022	5595	1355	6472	5199	1611	6800	5459	1976	6528	5238	2059	6120	4907	2226	5848	4687	2309
	19.0	27	5171	4193	1071	7266	5892	1372	6717	5446	1629	7072	5734	1997	6800	5514	2080	6392	5183	2226	6120	4962	2309
	22.0	30	5733	4147	1071	8060	5842	1372	7449	5397	1629	7820	5679	2018	7548	5459	2101	6800	5293	2309	6324	5183	2434
	24.0	32	6126	4147	1087	8610	5842	1390	7938	5397	1647	8364	5679	2018	8024	5459	2122	7072	5404	2371	6460	5348	2517
1.8+2.5+2.5	12.0	18	4665	3555	1023	5740	5149	1320	5312	4753	1556	5576	5018	1914	5372	4797	1997	5032	4521	2142	4828	4301	2226
	14.0	20	4665	3555	1023	6167	5149	1320	5740	4803	1574	5984	5018	1934	5780	4852	2018	5372	4521	2163	5168	4356	2267
	16.0	22	4665	3783	1039	6595	5149	1337	6106	4803	1592	6392	5018	1955	6188	4852	2059	5780	4521	2205	5576	4356	2288
	18.0	25	5002	4056	1055	7022	5595	1355	6472	5199	1611	6800	5459	1976	6528	5238	2059	6120	4907	2226	5848	4687	2309
	19.0	27	5171	4193	1071	7266	5892	1372	6717	5446	1629	7072	5734	1997	6800	5514	2080	6392	5183	2226	6120	4962	2309
	22.0	30	5733	4147	1071	8060	5842	1372	7449	5397	1629	7820	5679	2018	7548	5459	2101	6800	5293	2309	6324	5183	2434
	24.0	32	6126	4147	1087	8610	5842	1390	7938	5397	1647	8364	5679	2018	8024	5459	2122	7072	5404	2371	6460	5348	2517
1.8+2.5+3.5	12.0	18	4665	3555	1023	5740	5149	1320	5312	4753	1556	5576	5018	1914	5372	4797	1997	5032	4521	2142	4828	4301	2226
	14.0	20	4665	3555	1023	6167	5149	1320	5740	4803	1574	5984	5018	1934	5780	4852	2018	5372	4521	2163	5168	4356	2267
	16.0	22	4665	3783	1039	6595	5149	1337	6106	4803	1592	6392	5018	1955	6188	4852	2059	5780	4521	2205	5576	4356	2288
	18.0	25	5002	4056	1055	7022	5595	1355	6472	5199	1611	6800	5459	1976	6528	5238	2059	6120	4907	2226	5848	4687	2309
	19.0	27	5171	4193	1071	7266	5892	1372	6717	5446	1629	7072	5734	1997	6800	5514	2080	6392	5183	2226	6120	4962	2309
	22.0	30	5733	4147	1071	8060	5842	1372	7449	5397	1629	7820	5679	2018	7548	5459	2101	6800	5293	2309	6324	5183	2434
	24.0	32	6126	4147	1087	8610	5842	1390	7938	5397	1647	8364	5679	2018	8024	5459	2122	7072	5404	2371	6460	5348	2517
1.8+2.5+5.0	12.0	18	4665	3555	1023	5740	5149	1320	5312	4753	1556	5576	5018	1914	5372	4797	1997	5032	4521	2142	4828	4301	2226
	14.0	20	4665	3555	1023	6167	5149	1320	5740	4803	1574	5984	5018	1934	5780	4852	2018	5372	4521	2163	5168	4356	2267
	16.0	22	4665	3783	1039	6595	5149	1337	6106	4803	1592	6392	5018	1955	6188	4852	2059	5780	4521	2205	5576	4356	2288
	18.0	25	5002	4056	1055	7022	5595	1355	6472	5199	1611	6800	5459	1976	6528	5238	2059	6120	4907	2226	5848	4687	2309
	19.0	27	5171	4193	1071	7266	5892	1372	6717	5446	1629	7072	5734	1997	6800	5514	2080	6392	5183	2226	6120	4962	2309
	22.0	30	5733	4147	1071	8060	5842	1372	7449	5397	1629	7820	5679	2018	7548	5459	2101	6800	5293	2309	6324	5183	2434
	24.0	32	6126	4147	1087	8610	5842	1390	7938	5397	1647	8364	5679	2018	8024	5459	2122	7072	5404	2371	6460	5348	2517



	INDOOR		OUTDOOR TEMPERATURE (°CDB)																				
	EWB	EDB	-10			21			27			32			35			40			43		
	°C	°C	TC	SHC	PI	TC	SHC	PI	TC	SHC	PI	TC	SHC	PI	TC	SHC	PI	TC	SHC	PI	TC	SHC	PI
1.8+3.5+3.5	12.0	18	4665	3555	1023	5740	5149	1320	5312	4753	1556	5576	5018	1914	5372	4797	1997	5032	4521	2142	4828	4301	2226
	14.0	20	4665	3555	1023	6167	5149	1320	5740	4803	1574	5984	5018	1934	5780	4852	2018	5372	4521	2163	5168	4356	2267
	16.0	22	4665	3783	1039	6595	5149	1337	6106	4803	1592	6392	5018	1955	6188	4852	2059	5780	4521	2205	5576	4356	2288
	18.0	25	5002	4056	1055	7022	5595	1355	6472	5199	1611	6800	5459	1976	6528	5238	2059	6120	4907	2226	5848	4687	2309
	19.0	27	5171	4193	1071	7266	5892	1372	6717	5446	1629	7072	5734	1997	6800	5514	2080	6392	5183	2226	6120	4962	2309
	22.0	30	5733	4147	1071	8060	5842	1372	7449	5397	1629	7820	5679	2018	7548	5459	2101	6800	5293	2309	6324	5183	2434
	24.0	32	6126	4147	1087	8610	5842	1390	7938	5397	1647	8364	5679	2018	8024	5459	2122	7072	5404	2371	6460	5348	2517
1.8+3.5+5.0	12.0	18	4665	3555	1023	5740	5149	1320	5312	4753	1556	5576	5018	1914	5372	4797	1997	5032	4521	2142	4828	4301	2226
	14.0	20	4665	3555	1023	6167	5149	1320	5740	4803	1574	5984	5018	1934	5780	4852	2018	5372	4521	2163	5168	4356	2267
	16.0	22	4665	3783	1039	6595	5149	1337	6106	4803	1592	6392	5018	1955	6188	4852	2059	5780	4521	2205	5576	4356	2288
	18.0	25	5002	4056	1055	7022	5595	1355	6472	5199	1611	6800	5459	1976	6528	5238	2059	6120	4907	2226	5848	4687	2309
	19.0	27	5171	4193	1071	7266	5892	1372	6717	5446	1629	7072	5734	1997	6800	5514	2080	6392	5183	2226	6120	4962	2309
	22.0	30	5733	4147	1071	8060	5842	1372	7449	5397	1629	7820	5679	2018	7548	5459	2101	6800	5293	2309	6324	5183	2434
	24.0	32	6126	4147	1087	8610	5842	1390	7938	5397	1647	8364	5679	2018	8024	5459	2122	7072	5404	2371	6460	5348	2517
2.5+2.5+2.5	12.0	18	4665	3555	1023	5740	5149	1320	5312	4753	1556	5576	5018	1914	5372	4797	1997	5032	4521	2142	4828	4301	2226
	14.0	20	4665	3555	1023	6167	5149	1320	5740	4803	1574	5984	5018	1934	5780	4852	2018	5372	4521	2163	5168	4356	2267
	16.0	22	4665	3783	1039	6595	5149	1337	6106	4803	1592	6392	5018	1955	6188	4852	2059	5780	4521	2205	5576	4356	2288
	18.0	25	5002	4056	1055	7022	5595	1355	6472	5199	1611	6800	5459	1976	6528	5238	2059	6120	4907	2226	5848	4687	2309
	19.0	27	5171	4193	1071	7266	5892	1372	6717	5446	1629	7072	5734	1997	6800	5514	2080	6392	5183	2226	6120	4962	2309
	22.0	30	5733	4147	1071	8060	5842	1372	7449	5397	1629	7820	5679	2018	7548	5459	2101	6800	5293	2309	6324	5183	2434
	24.0	32	6126	4147	1087	8610	5842	1390	7938	5397	1647	8364	5679	2018	8024	5459	2122	7072	5404	2371	6460	5348	2517
2.5+2.5+3.5	12.0	18	4665	3555	1023	5740	5149	1320	5312	4753	1556	5576	5018	1914	5372	4797	1997	5032	4521	2142	4828	4301	2226
	14.0	20	4665	3555	1023	6167	5149	1320	5740	4803	1574	5984	5018	1934	5780	4852	2018	5372	4521	2163	5168	4356	2267
	16.0	22	4665	3783	1039	6595	5149	1337	6106	4803	1592	6392	5018	1955	6188	4852	2059	5780	4521	2205	5576	4356	2288
	18.0	25	5002	4056	1055	7022	5595	1355	6472	5199	1611	6800	5459	1976	6528	5238	2059	6120	4907	2226	5848	4687	2309
	19.0	27	5171	4193	1071	7266	5892	1372	6717	5446	1629	7072	5734	1997	6800	5514	2080	6392	5183	2226	6120	4962	2309
	22.0	30	5733	4147	1071	8060	5842	1372	7449	5397	1629	7820	5679	2018	7548	5459	2101	6800	5293	2309	6324	5183	2434
	24.0	32	6126	4147	1087	8610	5842	1390	7938	5397	1647	8364	5679	2018	8024	5459	2122	7072	5404	2371	6460	5348	2517
2.5+2.5+5.0	12.0	18	4665	3555	1023	5740	5149	1320	5312	4753	1556	5576	5018	1914	5372	4797	1997	5032	4521	2142	4828	4301	2226
	14.0	20	4665	3555	1023	6167	5149	1320	5740	4803	1574	5984	5018	1934	5780	4852	2018	5372	4521	2163	5168	4356	2267
	16.0	22	4665	3783	1039	6595	5149	1337	6106	4803	1592	6392	5018	1955	6188	4852	2059	5780	4521	2205	5576	4356	2288
	18.0	25	5002	4056	1055	7022	5595	1355	6472	5199	1611	6800	5459	1976	6528	5238	2059	6120	4907	2226	5848	4687	2309
	19.0	27	5171	4193	1071	7266	5892	1372	6717	5446	1629	7072	5734	1997	6800	5514	2080	6392	5183	2226	6120	4962	2309
	22.0	30	5733	4147	1071	8060	5842	1372	7449	5397	1629	7820	5679	2018	7548	5459	2101	6800	5293	2309	6324	5183	2434
	24.0	32	6126	4147	1087	8610	5842	1390	7938	5397	1647	8364	5679	2018	8024	5459	2122	7072	5404	2371	6460	5348	2517
2.5+3.5+3.5	12.0	18	4665	3555	1023	5740	5149	1320	5312	4753	1556	5576	5018	1914	5372	4797	1997	5032	4521	2142	4828	4301	2226
	14.0	20	4665	3555	1023	6167	5149	1320	5740	4803	1574	5984	5018	1934	5780	4852	2018	5372	4521	2163	5168	4356	2267
	16.0	22	4665	3783	1039	6595	5149	1337	6106	4803	1592	6392	5018	1955	6188	4852	2059	5780	4521	2205	5576	4356	2288
	18.0	25	5002	4056	1055	7022	5595	1355	6472	5199	1611	6800	5459	1976	6528	5238	2059	6120	4907	2226	5848	4687	2309
	19.0	27	5171	4193	1071	7266	5892	1372	6717	5446	1629	7072	5734	1997	6800	5514	2080	6392	5183	2226	6120	4962	2309
	22.0	30	5733	4147	1071	8060	5842	1372	7449	5397	1629	7820	5679	2018	7548	5459	2101	6800	5293	2309	6324	5183	2434
	24.0	32	6126	4147	1087	8610	5842	1390	7938	5397	1647	8364	5679	2018	8024	5459	2122	7072	5404	2371	6460	5348	2517

	INDOOR		OUTDOOR TEMPERATURE (°CDB)																				
	EWB	EDB	-10			21			27			32			35			40			43		
	°C	°C	TC	SHC	PI	TC	SHC	PI	TC	SHC	PI	TC	SHC	PI	TC	SHC	PI	TC	SHC	PI	TC	SHC	PI
2.5+3.5+5.0	12.0	18	4665	3555	1023	5740	5149	1320	5312	4753	1556	5576	5018	1914	5372	4797	1997	5032	4521	2142	4828	4301	2226
	14.0	20	4665	3555	1023	6167	5149	1320	5740	4803	1574	5984	5018	1934	5780	4852	2018	5372	4521	2163	5168	4356	2267
	16.0	22	4665	3783	1039	6595	5149	1337	6106	4803	1592	6392	5018	1955	6188	4852	2059	5780	4521	2205	5576	4356	2288
	18.0	25	5002	4056	1055	7022	5595	1355	6472	5199	1611	6800	5459	1976	6528	5238	2059	6120	4907	2226	5848	4687	2309
	19.0	27	5171	4193	1071	7266	5892	1372	6717	5446	1629	7072	5734	1997	6800	5514	2080	6392	5183	2226	6120	4962	2309
	22.0	30	5733	4147	1071	8060	5842	1372	7449	5397	1629	7820	5679	2018	7548	5459	2101	6800	5293	2309	6324	5183	2434
	24.0	32	6126	4147	1087	8610	5842	1390	7938	5397	1647	8364	5679	2018	8024	5459	2122	7072	5404	2371	6460	5348	2517
3.5+3.5+3.5	12.0	18	4665	3555	1023	5740	5149	1320	5312	4753	1556	5576	5018	1914	5372	4797	1997	5032	4521	2142	4828	4301	2226
	14.0	20	4665	3555	1023	6167	5149	1320	5740	4803	1574	5984	5018	1934	5780	4852	2018	5372	4521	2163	5168	4356	2267
	16.0	22	4665	3783	1039	6595	5149	1337	6106	4803	1592	6392	5018	1955	6188	4852	2059	5780	4521	2205	5576	4356	2288
	18.0	25	5002	4056	1055	7022	5595	1355	6472	5199	1611	6800	5459	1976	6528	5238	2059	6120	4907	2226	5848	4687	2309
	19.0	27	5171	4193	1071	7266	5892	1372	6717	5446	1629	7072	5734	1997	6800	5514	2080	6392	5183	2226	6120	4962	2309
	22.0	30	5733	4147	1071	8060	5842	1372	7449	5397	1629	7820	5679	2018	7548	5459	2101	6800	5293	2309	6324	5183	2434
	24.0	32	6126	4147	1087	8610	5842	1390	7938	5397	1647	8364	5679	2018	8024	5459	2122	7072	5404	2371	6460	5348	2517

EWB : Evaporator Wet Bulb temperature (°C)

TC : Total Capacity (W)

EDB : Evaporator Dry Bulb temperature (°C)

SHC : Sensible Heating Capacity (W)

(°CDB) : Outdoor Unit Inlet Air Dry Temperature (°C)

PI : Power Input

### HEATING [50Hz, 230V]

	INDOOR	OUTDOOR TEMPERATURE (°CDB)																								
		EDB	-15			-10			-7			-5			0			7			10			15		
		°C	TC	SHC	PI	TC	SHC	PI	TC	SHC	PI	TC	SHC	PI	TC	SHC	PI	TC	SHC	PI	TC	SHC	PI	TC	SHC	PI
RAM-68NP3B	16	4834	0	2309	5873	0	2371	6496	0	2472	6912	0	2540	7951	0	2842	9405	0	2880	9717	0	2958	10236	0	3104	
	18	4859	0	2340	5903	0	2402	6529	0	2524	6947	0	2605	7991	0	2914	9453	0	3026	9766	0	3089	10308	0	3120	
	20	4883	0	2371	5932	0	2434	6562	0	2565	6982	0	2652	8031	0	2964	9500	0	3120	9815	0	3120	10339	0	3120	
	22	4908	0	2402	5962	0	2465	6595	0	2618	7017	0	2721	8071	0	3036	9519	0	3120	9834	0	3120	10360	0	3120	
	24	4932	0	2434	5992	0	2496	6628	0	2670	7052	0	2786	8111	0	3108	9538	0	3120	9854	0	3120	10381	0	3120	
1.5	16	1120	0	629	1360	0	646	1504	0	674	1601	0	692	1841	0	774	2178	0	785	2427	0	806	2801	0	846	
	18	1125	0	638	1367	0	655	1512	0	688	1609	0	710	1851	0	794	2189	0	825	2418	0	842	2387	0	886	
	20	1131	0	646	1374	0	663	1520	0	699	1617	0	723	1860	0	808	2200	0	850	2273	0	850	2394	0	850	
	22	1136	0	655	1381	0	672	1527	0	713	1625	0	741	1869	0	827	2204	0	850	2277	0	850	2399	0	850	
	24	1142	0	663	1388	0	680	1535	0	727	1633	0	759	1878	0	847	2209	0	850	2282	0	850	2404	0	850	
1.8	16	1781	0	836	2164	0	859	2393	0	895	2546	0	920	2929	0	1029	3465	0	1043	3861	0	1071	4456	0	1124	
	18	1790	0	848	2175	0	870	2406	0	914	2559	0	944	2944	0	1055	3483	0	1096	3847	0	1119	3798	0	1130	
	20	1799	0	859	2186	0	881	2418	0	929	2572	0	961	2959	0	1074	3500	0	1130	3616	0	1130	3809	0	1130	
	22	1808	0	870	2197	0	893	2430	0	948	2585	0	985	2974	0	1099	3507	0	1130	3623	0	1130	3817	0	1130	
	24	1817	0	881	2208	0	904	2442	0	967	2598	0	1009	2988	0	1125	3514	0	1130	3630	0	1130	3824	0	1130	
2.5	16	2392	0	1095	2906	0	1125	3214	0	1173	3420	0	1205	3934	0	1348	4653	0	1366	5184	0	1403	5983	0	1473	
	18	2404	0	1110	2920	0	1140	3230	0	1197	3437	0	1236	3953	0	1382	4677	0	1436	5165	0	1465	5100	0	1480	
	20	2416	0	1125	2935	0	1154	3246	0	1217	3454	0	1258	3973	0	1406	4700	0	1480	4856	0	1480	5115	0	1480	
	22	2428	0	1140	2950	0	1169	3263	0	1242	3471	0	1291	3993	0	1440	4709	0	1480	4865	0	1480	5126	0	1480	
	24	2440	0	1154	2964	0	1184	3279	0	1267	3489	0	1322	4013	0	1474	4719	0	1480	4875	0	1480	5136	0	1480	
3.5	16	2952	0	1443	3586	0	1482	3966	0	1545	4220	0	1587	4854	0	1776	5742	0	1800	6397	0	1849	7383	0	1940	
	18	2966	0	1463	3604	0	1502	3986	0	1578	4241	0	1628	4879	0	1821	5771	0	1892	6374	0	1931	6294	0	1950	
	20	2981	0	1482	3622	0	1521	4006	0	1603	4263	0	1658	4903	0	1853	5800	0	1950	5992	0	1950	6312	0	1950	
	22	2996	0	1502	3640	0	1541	4026	0	1636	4284	0	1700	4928	0	1897	5812	0	1950	6004	0	1950	6325	0	1950	
	24	3011	0	1521	3658	0	1560	4046	0	1669	4305	0	1741	4952	0	1942	5823	0	1950	6016	0	1950	6338	0	1950	
5.0	16	3664	0	1872	4451	0	1923	4924	0	2005	5239	0	2059	6026	0	2305	7128	0	2335	7942	0	2398	9166	0	2517	
	18	3682	0	1898	4474	0	1948	4948	0	2047	5265	0	2113	6056	0	2363	7164	0	2454	7913	0	2505	7813	0	2530	
	20	3701	0	1923	4496	0	1973	4973	0	2080	5291	0	2151	6087	0	2404	7200	0	2530	7439	0	2530	7836	0	2530	
	22	3719	0	1948	4519	0	1999	4998	0	2123	5318	0	2206	6117	0	2462	7214	0	2530	7453	0	2530	7852	0	2530	
	24	3738	0	1973	4541	0	2024	5023	0	2165	5344	0	2259	6148	0	2520	7229	0	2530	7468	0	2530	7868	0	2530	
1.5+1.5	16	2392	0	814	2906	0	836	3214	0	872	3420	0	895	3934	0	1002	4653	0	1015	5184	0	1043	5983	0	1095	
	18	2404	0	825	2920	0	847	3230	0	890	3437	0	919	3953	0	1027	4677	0	1067	5165	0	1089	5100	0	1100	
	20	2416	0	836	2935	0	858	3246	0	904	3454	0	935	3973	0	1045	4700	0	1100	4856	0	1100	5115	0	1100	
	22	2428	0	847	2950	0	869	3263	0	923	3471	0	959	3993	0	1070	4709	0	1100	4865	0	1100	5126	0	1100	
	24	2440	0	858	2964	0	880	3279	0	941	3489	0	982	4013	0	1096	4719	0	1100	4875	0	1100	5136	0	1100	
1.5+1.8	16	2646	0	962	3215	0	988	3556	0	1030	3783	0	1058	4352	0	1184	5148	0	1200	5736	0	1232	6620	0	1294	
	18	2660	0	975	3231	0	1001	3574	0	1052	3802	0	1086	4374	0	1214	5174	0	1261	5715	0	1287	5642	0	1300	
	20	2673	0	988	3247	0	1014	3592	0	1069	3822	0	1105	4396	0	1235	5200	0	1300	5372	0	1300	5659	0	1300	
	22	2686	0	1001	3263	0	1027	3610	0	1091	3841	0	1134	4418	0	1265	5210	0	1300	5383	0	1300	5671	0	1300	
	24	2700	0	1014	3280	0	1040	3628	0	1113	3860	0	1161	4440	0	1295	5221	0	1300	5394	0	1300	5682	0	1300	













	INDOOR	OUTDOOR TEMPERATURE (°CDB)																								
	EDB	-15			-10			-7			-5			0			7			10			15			
	°C	TC	SHC	PI	TC	SHC	PI	TC	SHC	PI	TC	SHC	PI	TC	SHC	PI	TC	SHC	PI	TC	SHC	PI	TC	SHC	PI	
2.5+3.5+3.5	16	4834	01924	5873	01976	6496	02060	6912	02116	7951	02369	9405	02400	10479	02465	12094	02587									
	18	4859	01950	5903	02002	6529	02103	6947	02171	7991	02428	9453	02522	10441	02574	10308	02600									
	20	4883	01976	5932	02028	6562	02137	6982	02210	8031	02470	9500	02600	9815	02600	10339	02600									
	22	4908	02002	5962	02054	6595	02182	7017	02267	8071	02530	9519	02600	9834	02600	10360	02600									
	24	4932	02028	5992	02080	6628	02225	7052	02322	8111	02590	9538	02600	9854	02600	10381	02600									
2.5+3.5+5.0	16	4834	01924	5873	01976	6496	02060	6912	02116	7951	02369	9405	02400	10479	02465	12094	02587									
	18	4859	01950	5903	02002	6529	02103	6947	02171	7991	02428	9453	02522	10441	02574	10308	02600									
	20	4883	01976	5932	02028	6562	02137	6982	02210	8031	02470	9500	02600	9815	02600	10339	02600									
	22	4908	02002	5962	02054	6595	02182	7017	02267	8071	02530	9519	02600	9834	02600	10360	02600									
	24	4932	02028	5992	02080	6628	02225	7052	02322	8111	02590	9538	02600	9854	02600	10381	02600									
3.5+3.5+3.5	16	4834	01924	5873	01976	6496	02060	6912	02116	7951	02369	9405	02400	10479	02465	12094	02587									
	18	4859	01950	5903	02002	6529	02103	6947	02171	7991	02428	9453	02522	10441	02574	10308	02600									
	20	4883	01976	5932	02028	6562	02137	6982	02210	8031	02470	9500	02600	9815	02600	10339	02600									
	22	4908	02002	5962	02054	6595	02182	7017	02267	8071	02530	9519	02600	9834	02600	10360	02600									
	24	4932	02028	5992	02080	6628	02225	7052	02322	8111	02590	9538	02600	9854	02600	10381	02600									

EWB : Evaporator Wet Bulb temperature (°C)

TC : Total Cooling Capacity (W)

EDB : Evaporator Dry Bulb temperature (°C)

SHC : Sensible Heating Capacity (W)

(°CDB) : Outdoor Unit Inlet Air Dry Temperature (°C)

PI : Power Input

3.2.6. RAM-70NP4B

COOLING [50Hz, 230V]

		INDOOR		OUTDOOR TEMPERATURE (°CDB)																				
		EWB	EDB	-10			21			27			32			35			40			43		
		°C	°C	TC	SHC	PI	TC	SHC	PI	TC	SHC	PI	TC	SHC	PI	TC	SHC	PI	TC	SHC	PI	TC	SHC	PI
RAM-70NP4B	12	18	4822	3938	1042	5922	5693	1342	5481	5255	1582	5740	5535	1941	5530	5292	2026	5180	4988	2173	4970	4744	2258	
	14	20	4822	3938	1042	6363	5693	1342	5922	5310	1600	6160	5535	1962	5950	5353	2047	5530	4988	2194	5320	4805	2300	
	16	22	4822	4190	1059	6804	5693	1360	6300	5310	1619	6580	5535	1983	6370	5353	2089	5950	4988	2237	5740	4805	2321	
	18	25	5171	4493	1075	7245	6186	1378	6678	5748	1638	7000	6022	2005	6720	5778	2089	6300	5413	2258	6020	5170	2342	
	19	27	5345	4645	1091	7497	6514	1395	6930	6022	1656	7280	6326	2026	7000	6082	2110	6580	5718	2258	6300	5474	2342	
	22	30	5926	4594	1091	8316	6460	1395	7686	5967	1656	8050	6265	2047	7770	6022	2131	7000	5839	2342	6510	5718	2469	
	24	32	6333	4594	1108	8883	6460	1413	8190	5967	1675	8610	6265	2047	8260	6022	2152	7280	5961	2405	6650	5900	2553	
1.5	12	18	1033	844	198	1269	1220	254	1175	1126	300	1230	1186	368	1185	1134	384	1110	1069	412	1065	1017	428	
	14	20	1033	844	198	1364	1220	254	1269	1138	303	1320	1186	372	1275	1147	388	1185	1069	416	1140	1030	436	
	16	22	1033	898	201	1458	1220	258	1350	1138	307	1410	1186	376	1365	1147	396	1275	1069	424	1230	1030	440	
	18	25	1108	963	204	1553	1326	261	1431	1232	310	1500	1290	380	1440	1238	396	1350	1160	428	1290	1108	444	
	19	27	1145	995	207	1607	1396	264	1485	1290	314	1560	1356	384	1500	1303	400	1410	1225	428	1350	1173	444	
	22	30	1270	984	207	1782	1384	264	1647	1279	314	1725	1342	388	1665	1290	404	1500	1251	444	1395	1225	468	
	24	32	1357	984	210	1904	1384	268	1755	1279	318	1845	1342	388	1770	1290	408	1560	1277	456	1425	1264	484	
1.8	12	18	1240	1013	222	1523	1464	286	1409	1351	337	1476	1423	414	1422	1361	432	1332	1283	464	1278	1220	482	
	14	20	1240	1013	222	1636	1464	286	1523	1365	341	1584	1423	419	1530	1376	437	1422	1283	468	1368	1236	491	
	16	22	1240	1077	226	1750	1464	290	1620	1365	345	1692	1423	423	1638	1376	446	1530	1283	477	1476	1236	495	
	18	25	1330	1155	229	1863	1591	294	1717	1478	349	1800	1548	428	1728	1486	446	1620	1392	482	1548	1329	500	
	19	27	1374	1194	233	1928	1675	298	1782	1548	353	1872	1627	432	1800	1564	450	1692	1470	482	1620	1408	500	
	22	30	1524	1181	233	2138	1661	298	1976	1534	353	2070	1611	437	1998	1548	455	1800	1502	500	1674	1470	527	
	24	32	1628	1181	236	2284	1661	301	2106	1534	357	2214	1611	437	2124	1548	459	1872	1533	513	1710	1517	545	
2.5	12	18	1722	1406	321	2115	2033	413	1958	1877	487	2050	1977	598	1975	1890	624	1850	1781	670	1775	1694	696	
	14	20	1722	1406	321	2273	2033	413	2115	1896	493	2200	1977	605	2125	1912	631	1975	1781	676	1900	1716	709	
	16	22	1722	1497	326	2430	2033	419	2250	1896	499	2350	1977	611	2275	1912	644	2125	1781	689	2050	1716	715	
	18	25	1847	1605	331	2588	2209	424	2385	2053	505	2500	2151	618	2400	2064	644	2250	1933	696	2150	1846	722	
	19	27	1909	1659	336	2678	2327	430	2475	2151	510	2600	2259	624	2500	2172	650	2350	2042	696	2250	1955	722	
	22	30	2117	1641	336	2970	2307	430	2745	2131	510	2875	2237	631	2775	2151	657	2500	2085	722	2325	2042	761	
	24	32	2262	1641	341	3173	2307	435	2925	2131	516	3075	2237	631	2950	2151	663	2600	2129	741	2375	2107	787	
3.5	12	18	2411	1969	509	2961	2847	655	2741	2628	772	2870	2768	948	2765	2646	989	2590	2494	1061	2485	2372	1102	
	14	20	2411	1969	509	3182	2847	655	2961	2655	781	3080	2768	958	2975	2676	999	2765	2494	1071	2660	2403	1123	
	16	22	2411	2095	517	3402	2847	664	3150	2655	790	3290	2768	968	3185	2676	1020	2975	2494	1092	2870	2403	1133	
	18	25	2585	2247	525	3623	3093	672	3339	2874	799	3500	3011	979	3360	2889	1020	3150	2707	1102	3010	2585	1143	
	19	27	2673	2322	533	3749	3257	681	3465	3011	809	3640	3163	989	3500	3041	1030	3290	2859	1102	3150	2737	1143	
	22	30	2963	2297	533	4158	3230	681	3843	2983	809	4025	3132	999	3885	3011	1040	3500	2920	1143	3255	2859	1205	
	24	32	3166	2297	541	4442	3230	690	4095	2983	818	4305	3132	999	4130	3011	1051	3640	2980	1174	3325	2950	1246	
5.0	12	18	3445	2813	716	4230	4067	922	3915	3754	1087	4100	3954	1334	3950	3780	1392	3700	3563	1494	3550	3389	1552	
	14	20	3445	2813	716	4545	4067	922	4230	3793	1100	4400	3954	1349	4250	3823	1407	3950	3563	1508	3800	3432	1581	
	16	22	3445	2993	728	4860	4067	935	4500	3793	1113	4700	3954	1363	4550	3823	1436	4250	3563	1537	4100	3432	1595	
	18	25	3694	3209	739	5175	4418	947	4770	4106	1125	5000	4301	1378	4800	4127	1436	4500	3867	1552	4300	3693	1610	
	19	27	3818	3318	750	5355	4653	959	4950	4301	1138	5200	4518	1392	5000	4345	1450	4700	4084	1552	4500	3910	1610	
	22	30	4233	3282	750	5940	4614	959	5490	4262	1138	5750	4475	1407	5550	4301	1465	5000	4171	1610	4650	4084	1697	
	24	32	4524	3282	761	6345	4614	971	5850	4262	1151	6150	4475	1407	5900	4301	1479	5200	4258	1653	4750	4214	1755	

EWB : Evaporator Wet Bulb temperature (°C)

TC : Total Capacity (W)

EDB : Evaporator Dry Bulb temperature (°C)

SHC : Sensible Heating Capacity (W)

(°CDB) : Outdoor Unit Inlet Air Dry Temperature (°C)

PI : Power Input

		INDOOR		OUTDOOR TEMPERATURE (°CDB)																				
		EWB	EDB	-10			21			27			32			35			40			43		
		°C	°C	TC	SHC	PI	TC	SHC	PI	TC	SHC	PI	TC	SHC	PI	TC	SHC	PI	TC	SHC	PI	TC	SHC	PI
1.5+1.5	12	18	2067	1688	430	2538	2440	553	2349	2252	652	2460	2372	800	2370	2268	835	2220	2138	896	2130	2033	931	
	14	20	2067	1688	430	2727	2440	553	2538	2276	660	2640	2372	809	2550	2294	844	2370	2138	905	2280	2059	948	
	16	22	2067	1796	437	2916	2440	561	2700	2276	668	2820	2372	818	2730	2294	861	2550	2138	922	2460	2059	957	
	18	25	2216	1926	443	3105	2651	568	2862	2463	675	3000	2581	827	2880	2476	861	2700	2320	931	2580	2216	966	
	19	27	2291	1991	450	3213	2792	575	2970	2581	683	3120	2711	835	3000	2607	870	2820	2450	931	2700	2346	966	
	22	30	2540	1969	450	3564	2768	575	3294	2557	683	3450	2685	844	3330	2581	879	3000	2503	966	2790	2450	1018	
	24	32	2714	1969	457	3807	2768	583	3510	2557	691	3690	2685	844	3540	2581	887	3120	2555	992	2850	2529	1053	
1.5+1.8	12	18	2273	1856	469	2792	2684	604	2584	2477	712	2706	2609	874	2607	2495	912	2442	2351	979	2343	2237	1017	
	14	20	2273	1856	469	3000	2684	604	2792	2503	721	2904	2609	884	2805	2523	922	2607	2351	988	2508	2265	1036	
	16	22	2273	1975	477	3208	2684	612	2970	2503	729	3102	2609	893	3003	2523	941	2805	2351	1007	2706	2265	1045	
	18	25	2438	2118	484	3416	2916	620	3148	2710	737	3300	2839	903	3168	2724	941	2970	2552	1017	2838	2437	1055	
	19	27	2520	2190	491	3534	3071	628	3267	2839	746	3432	2982	912	3300	2867	950	3102	2695	1017	2970	2581	1055	
	22	30	2794	2166	491	3920	3045	628	3623	2813	746	3795	2953	922	3663	2839	960	3300	2753	1055	3069	2695	1112	
	24	32	2986	2166	499	4188	3045	636	3861	2813	754	4059	2953	922	3894	2839	969	3432	2810	1083	3135	2781	1150	
1.5+2.5	12	18	2756	2250	568	3384	3253	732	3132	3003	862	3280	3163	1058	3160	3024	1104	2960	2850	1185	2840	2711	1231	
	14	20	2756	2250	568	3636	3253	732	3384	3034	872	3520	3163	1070	3400	3059	1116	3160	2850	1196	3040	2746	1254	
	16	22	2756	2394	577	3888	3253	741	3600	3034	882	3760	3163	1081	3640	3059	1139	3400	2850	1219	3280	2746	1265	
	18	25	2955	2568	586	4140	3535	751	3816	3285	893	4000	3441	1093	3840	3302	1139	3600	3093	1231	3440	2954	1277	
	19	27	3054	2654	595	4284	3722	760	3960	3441	903	4160	3615	1104	4000	3476	1150	3760	3267	1231	3600	3128	1277	
	22	30	3386	2625	595	4752	3691	760	4392	3410	903	4600	3580	1116	4440	3441	1162	4000	3337	1277	3720	3267	1346	
	24	32	3619	2625	604	5076	3691	770	4680	3410	913	4920	3580	1116	4720	3441	1173	4160	3406	1311	3800	3371	1392	
1.5+3.5	12	18	3445	2813	716	4230	4067	922	3915	3754	1087	4100	3954	1334	3950	3780	1392	3700	3563	1494	3550	3389	1552	
	14	20	3445	2813	716	4545	4067	922	4230	3793	1100	4400	3954	1349	4250	3823	1407	3950	3563	1508	3800	3432	1581	
	16	22	3445	2993	728	4860	4067	935	4500	3793	1113	4700	3954	1363	4550	3823	1436	4250	3563	1537	4100	3432	1595	
	18	25	3694	3209	739	5175	4418	947	4770	4106	1125	5000	4301	1378	4800	4127	1436	4500	3867	1552	4300	3693	1610	
	19	27	3818	3318	750	5355	4653	959	4950	4301	1138	5200	4518	1392	5000	4345	1450	4700	4084	1552	4500	3910	1610	
	22	30	4233	3282	750	5940	4614	959	5490	4262	1138	5750	4475	1407	5550	4301	1465	5000	4171	1610	4650	4084	1697	
	24	32	4524	3282	761	6345	4614	971	5850	4262	1151	6150	4475	1407	5900	4301	1479	5200	4258	1653	4750	4214	1755	
1.5+5.0	12	18	4478	3657	963	5499	5287	1240	5090	4880	1462	5330	5140	1794	5135	4914	1872	4810	4631	2009	4615	4405	2087	
	14	20	4478	3657	963	5909	5287	1240	5499	4931	1479	5720	5140	1814	5525	4970	1892	5135	4631	2028	4940	4462	2126	
	16	22	4478	3891	978	6318	5287	1257	5850	4931	1496	6110	5140	1833	5915	4970	1931	5525	4631	2067	5330	4462	2145	
	18	25	4802	4172	993	6728	5744	1273	6201	5337	1514	6500	5592	1853	6240	5366	1931	5850	5027	2087	5590	4801	2165	
	19	27	4963	4313	1008	6962	6049	1289	6435	5592	1531	6760	5874	1872	6500	5648	1950	6110	5309	2087	5850	5083	2165	
	22	30	5503	4266	1008	7722	5998	1289	7137	5541	1531	7475	5817	1892	7215	5592	1970	6500	5422	2165	6045	5309	2282	
	24	32	5881	4266	1024	8249	5998	1306	7605	5541	1548	7995	5817	1892	7670	5592	1989	6760	5535	2223	6175	5479	2360	
1.8+1.8	12	18	2480	2025	504	3046	2928	649	2819	2703	765	2952	2847	938	2844	2721	979	2664	2565	1051	2556	2440	1091	
	14	20	2480	2025	504	3272	2928	649	3046	2731	774	3168	2847	949	3060	2753	989	2844	2565	1061	2736	2471	1112	
	16	22	2480	2155	512	3499	2928	657	3240	2731	783	3384	2847	959	3276	2753	1010	3060	2565	1081	2952	2471	1122	
	18	25	2659	2311	520	3726	3181	666	3434	2956	792	3600	3097	969	3456	2972	1010	3240	2784	1091	3096	2659	1132	
	19	27	2749	2389	528	3856	3350	674	3564	3097	801	3744	3253	979	3600	3128	1020	3384	2940	1091	3240	2815	1132	
	22	30	3048	2363	528	4277	3322	674	3953	3069	801	4140	3222	989	3996	3097	1030	3600	3003	1132	3348	2940	1193	
	24	32	3257	2363	535	4568	3322	683	4212	3069	810	4428	3222	989	4248	3097	1040	3744	3066	1163	3420	3034	1234	
1.8+2.5	12	18	2962	2419	553	3638	3497	712	3367	3228	840	3526	3400	1030	3397	3251	1075	3182	3064	1154	3053	2914	1198	
	14	20	2962	2419	553	3909	3497	712	3638	3262	850	3784	3400	1042	3655	3288	1086	3397	3064	1165	3268	2952	1221	
	16	22	2962	2574	562	4180	3497	722	3870	3262	859	4042	3400	1053	3913	3288	1109	3655	3064	1187	3526	2952	1232	
	18	25	3176	2760	571	4451	3800	731	4102	3531	869	4300	3699	1064	4128	3550	1109	3870	3325	1198	3698	3176	1243	
	19	27	3283	2853	579	4605	4002	741	4257	3699	879	4472	3886	1075	4300	3736	1120	4042	3512	1198	3870	3363	1243	
	22	30	3640	2822	579	5108	3968	741	4721	3665	879	4945	3848	1086	4773	3699	1131	4300	3587	1243	3999	3512	1310	
	24	32	3890	2822	588	5457	3968	750	5031	3665	889	5289	3848	1086	5074	3699	1142	4472	3662	1277	4085	3624	1355	

		INDOOR		OUTDOOR TEMPERATURE (°CDB)																				
		EWB	EDB	-10			21			27			32			35			40			43		
		°C	°C	TC	SHC	PI	TC	SHC	PI	TC	SHC	PI	TC	SHC	PI	TC	SHC	PI	TC	SHC	PI	TC	SHC	PI
1.8+3.5	12	18	3651	2981	790	4484	4311	1018	4150	3979	1200	4346	4191	1472	4187	4007	1536	3922	3776	1648	3763	3592	1712	
	14	20	3651	2981	790	4818	4311	1018	4484	4020	1214	4664	4191	1488	4505	4053	1552	4187	3776	1664	4028	3638	1744	
	16	22	3651	3173	803	5152	4311	1031	4770	4020	1228	4982	4191	1504	4823	4053	1584	4505	3776	1696	4346	3638	1760	
	18	25	3915	3402	815	5486	4684	1045	5056	4352	1242	5300	4559	1520	5088	4375	1584	4770	4099	1712	4558	3915	1776	
	19	27	4047	3517	827	5676	4932	1058	5247	4559	1256	5512	4790	1536	5300	4605	1600	4982	4329	1712	4770	4145	1776	
	22	30	4487	3478	827	6296	4891	1058	5819	4518	1256	6095	4743	1552	5883	4559	1616	5300	4421	1776	4929	4329	1872	
	24	32	4795	3478	840	6726	4891	1071	6201	4518	1270	6519	4743	1552	6254	4559	1632	5512	4513	1824	5035	4467	1936	
1.8+5.0	12	18	4685	3825	1013	5753	5531	1304	5324	5105	1537	5576	5377	1886	5372	5141	1968	5032	4845	2112	4828	4609	2194	
	14	20	4685	3825	1013	6181	5531	1304	5753	5158	1555	5984	5377	1907	5780	5200	1989	5372	4845	2132	5168	4668	2235	
	16	22	4685	4071	1029	6610	5531	1321	6120	5158	1573	6392	5377	1927	6188	5200	2030	5780	4845	2173	5576	4668	2255	
	18	25	5023	4365	1044	7038	6009	1338	6487	5584	1591	6800	5850	1948	6528	5613	2030	6120	5259	2194	5848	5022	2276	
	19	27	5192	4512	1060	7283	6328	1356	6732	5850	1609	7072	6145	1968	6800	5909	2050	6392	5554	2194	6120	5318	2276	
	22	30	5757	4463	1060	8078	6275	1356	7466	5796	1609	7820	6086	1989	7548	5850	2071	6800	5672	2276	6324	5554	2399	
	24	32	6152	4463	1076	8629	6275	1373	7956	5796	1627	8364	6086	1989	8024	5850	2091	7072	5791	2337	6460	5731	2481	
2.5+2.5	12	18	3445	2813	697	4230	4067	897	3915	3754	1057	4100	3954	1297	3950	3780	1354	3700	3563	1452	3550	3389	1509	
	14	20	3445	2813	697	4545	4067	897	4230	3793	1070	4400	3954	1311	4250	3823	1368	3950	3563	1466	3800	3432	1537	
	16	22	3445	2993	707	4860	4067	909	4500	3793	1082	4700	3954	1325	4550	3823	1396	4250	3563	1495	4100	3432	1551	
	18	25	3694	3209	718	5175	4418	921	4770	4106	1094	5000	4301	1340	4800	4127	1396	4500	3867	1509	4300	3693	1565	
	19	27	3818	3318	729	5355	4653	932	4950	4301	1107	5200	4518	1354	5000	4345	1410	4700	4084	1509	4500	3910	1565	
	22	30	4233	3282	729	5940	4614	932	5490	4262	1107	5750	4475	1368	5550	4301	1424	5000	4171	1565	4650	4084	1650	
	24	32	4524	3282	740	6345	4614	944	5850	4262	1119	6150	4475	1368	5900	4301	1438	5200	4258	1607	4750	4214	1706	
2.5+3.5	12	18	4133	3375	914	5076	4880	1177	4698	4505	1387	4920	4744	1702	4740	4536	1776	4440	4275	1906	4260	4067	1980	
	14	20	4133	3375	914	5454	4880	1177	5076	4551	1403	5280	4744	1721	5100	4588	1795	4740	4275	1924	4560	4119	2017	
	16	22	4133	3592	928	5832	4880	1192	5400	4551	1420	5640	4744	1739	5460	4588	1832	5100	4275	1961	4920	4119	2035	
	18	25	4432	3851	942	6210	5302	1208	5724	4927	1436	6000	5161	1758	5760	4953	1832	5400	4640	1980	5160	4432	2054	
	19	27	4582	3981	957	6426	5584	1223	5940	5161	1452	6240	5422	1776	6000	5214	1850	5640	4901	1980	5400	4692	2054	
	22	30	5080	3938	957	7128	5537	1223	6588	5115	1452	6900	5370	1795	6660	5161	1869	6000	5005	2054	5580	4901	2165	
	24	32	5428	3938	971	7614	5537	1239	7020	5115	1469	7380	5370	1795	7080	5161	1887	6240	5109	2109	5700	5057	2239	
2.5+5.0	12	18	4822	3938	1018	5922	5693	1310	5481	5255	1544	5740	5535	1895	5530	5292	1978	5180	4988	2122	4970	4744	2204	
	14	20	4822	3938	1018	6363	5693	1310	5922	5310	1563	6160	5535	1916	5950	5353	1998	5530	4988	2142	5320	4805	2245	
	16	22	4822	4190	1034	6804	5693	1328	6300	5310	1581	6580	5535	1936	6370	5353	2039	5950	4988	2184	5740	4805	2266	
	18	25	5171	4493	1049	7245	6186	1345	6678	5748	1599	7000	6022	1957	6720	5778	2039	6300	5413	2204	6020	5170	2287	
	19	27	5345	4645	1065	7497	6514	1362	6930	6022	1617	7280	6326	1978	7000	6082	2060	6580	5718	2204	6300	5474	2287	
	22	30	5926	4594	1065	8316	6460	1362	7686	5967	1617	8050	6265	1998	7770	6022	2081	7000	5839	2287	6510	5718	2410	
	24	32	6333	4594	1081	8883	6460	1379	8190	5967	1635	8610	6265	1998	8260	6022	2101	7280	5961	2348	6650	5900	2493	
3.5+3.5	12	18	4822	3938	1018	5922	5693	1310	5481	5255	1544	5740	5535	1895	5530	5292	1978	5180	4988	2122	4970	4744	2204	
	14	20	4822	3938	1018	6363	5693	1310	5922	5310	1563	6160	5535	1916	5950	5353	1998	5530	4988	2142	5320	4805	2245	
	16	22	4822	4190	1034	6804	5693	1328	6300	5310	1581	6580	5535	1936	6370	5353	2039	5950	4988	2184	5740	4805	2266	
	18	25	5171	4493	1049	7245	6186	1345	6678	5748	1599	7000	6022	1957	6720	5778	2039	6300	5413	2204	6020	5170	2287	
	19	27	5345	4645	1065	7497	6514	1362	6930	6022	1617	7280	6326	1978	7000	6082	2060	6580	5718	2204	6300	5474	2287	
	22	30	5926	4594	1065	8316	6460	1362	7686	5967	1617	8050	6265	1998	7770	6022	2081	7000	5839	2287	6510	5718	2410	
	24	32	6333	4594	1081	8883	6460	1379	8190	5967	1635	8610	6265	1998	8260	6022	2101	7280	5961	2348	6650	5900	2493	
3.5+5.0	12	18	4822	3938	1018	5922	5693	1310	5481	5255	1544	5740	5535	1895	5530	5292	1978	5180	4988	2122	4970	4744	2204	
	14	20	4822	3938	1018	6363	5693	1310	5922	5310	1563	6160	5535	1916	5950	5353	1998	5530	4988	2142	5320	4805	2245	
	16	22	4822	4190	1034	6804	5693	1328	6300	5310	1581	6580	5535	1936	6370	5353	2039	5950	4988	2184	5740	4805	2266	
	18	25	5171	4493	1049	7245	6186	1345	6678	5748	1599	7000	6022	1957	6720	5778	2039	6300	5413	2204	6020	5170	2287	
	19	27	5345	4645	1065	7497	6514	1362	6930	6022	1617	7280	6326	1978	7000	6082	2060	6580	5718	2204	6300	5474	2287	
	22	30	5926	4594	1065	8316	6460	1362	7686	5967	1617	8050	6265	1998	7770	6022	2081	7000	5839	2287	6510	5718	2410	
	24	32	6333	4594	1081	8883	6460	1379	8190	5967	1635	8610	6265	1998	8260	6022	2101	7280	5961	2348	6650	5900	2493	

		INDOOR		OUTDOOR TEMPERATURE (°CDB)																				
		EWB	EDB	-10			21			27			32			35			40			43		
		°C	°C	TC	SHC	PI	TC	SHC	PI	TC	SHC	PI	TC	SHC	PI	TC	SHC	PI	TC	SHC	PI	TC	SHC	PI
5.0+5.0	12	18	4822	3938	1018	5922	5693	1310	5481	5255	1544	5740	5535	1895	5530	5292	1978	5180	4988	2122	4970	4744	2204	
	14	20	4822	3938	1018	6363	5693	1310	5922	5310	1563	6160	5535	1916	5950	5353	1998	5530	4988	2142	5320	4805	2245	
	16	22	4822	4190	1034	6804	5693	1328	6300	5310	1581	6580	5535	1936	6370	5353	2039	5950	4988	2184	5740	4805	2266	
	18	25	5171	4493	1049	7245	6186	1345	6678	5748	1599	7000	6022	1957	6720	5778	2039	6300	5413	2204	6020	5170	2287	
	19	27	5345	4645	1065	7497	6514	1362	6930	6022	1617	7280	6326	1978	7000	6082	2060	6580	5718	2204	6300	5474	2287	
	22	30	5926	4594	1065	8316	6460	1362	7686	5967	1617	8050	6265	1998	7770	6022	2081	7000	5839	2287	6510	5718	2410	
	24	32	6333	4594	1081	8883	6460	1379	8190	5967	1635	8610	6265	1998	8260	6022	2101	7280	5961	2348	6650	5900	2493	
1.5+1.5+1.5	12	18	3100	2531	692	3807	3660	891	3524	3378	1050	3690	3558	1288	3555	3402	1344	3330	3206	1442	3195	3050	1498	
	14	20	3100	2531	692	4091	3660	891	3807	3414	1062	3960	3558	1302	3825	3441	1358	3555	3206	1456	3420	3089	1526	
	16	22	3100	2694	702	4374	3660	902	4050	3414	1074	4230	3558	1316	4095	3441	1386	3825	3206	1484	3690	3089	1540	
	18	25	3324	2888	713	4658	3977	914	4293	3695	1087	4500	3871	1330	4320	3715	1386	4050	3480	1498	3870	3324	1554	
	19	27	3436	2986	724	4820	4188	926	4455	3871	1099	4680	4067	1344	4500	3910	1400	4230	3676	1498	4050	3519	1554	
	22	30	3810	2953	724	5346	4153	926	4941	3836	1099	5175	4027	1358	4995	3871	1414	4500	3754	1554	4185	3676	1638	
	24	32	4071	2953	735	5711	4153	937	5265	3836	1111	5535	4027	1358	5310	3871	1428	4680	3832	1596	4275	3793	1694	
1.5+1.5+1.8	12	18	3307	2700	731	4061	3904	941	3758	3604	1110	3936	3795	1362	3792	3629	1421	3552	3420	1524	3408	3253	1584	
	14	20	3307	2700	731	4363	3904	941	4061	3641	1123	4224	3795	1376	4080	3670	1436	3792	3420	1539	3648	3295	1613	
	16	22	3307	2873	743	4666	3904	954	4320	3641	1136	4512	3795	1391	4368	3670	1465	4080	3420	1569	3936	3295	1628	
	18	25	3546	3081	754	4968	4242	966	4579	3941	1149	4800	4129	1406	4608	3962	1465	4320	3712	1584	4128	3545	1643	
	19	27	3665	3185	765	5141	4467	979	4752	4129	1162	4992	4338	1421	4800	4171	1480	4512	3921	1584	4320	3754	1643	
	22	30	4064	3150	765	5702	4429	979	5270	4092	1162	5520	4296	1436	5328	4129	1495	4800	4004	1643	4464	3921	1732	
	24	32	4343	3150	777	6091	4429	991	5616	4092	1175	5904	4296	1436	5664	4129	1510	4992	4087	1687	4560	4046	1791	
1.5+1.5+2.5	12	18	3789	3094	830	4653	4473	1069	4307	4129	1259	4510	4349	1546	4345	4158	1613	4070	3919	1730	3905	3728	1798	
	14	20	3789	3094	830	5000	4473	1069	4653	4172	1274	4840	4349	1562	4675	4206	1630	4345	3919	1747	4180	3775	1831	
	16	22	3789	3292	843	5346	4473	1083	4950	4172	1289	5170	4349	1579	5005	4206	1663	4675	3919	1781	4510	3775	1848	
	18	25	4063	3530	856	5693	4860	1097	5247	4516	1304	5500	4731	1596	5280	4540	1663	4950	4253	1798	4730	4062	1865	
	19	27	4200	3649	869	5891	5118	1111	5445	4731	1319	5720	4970	1613	5500	4779	1680	5170	4492	1798	4950	4301	1865	
	22	30	4656	3610	869	6534	5075	1111	6039	4688	1319	6325	4922	1630	6105	4731	1697	5500	4588	1865	5115	4492	1966	
	24	32	4976	3610	882	6980	5075	1125	6435	4688	1334	6765	4922	1630	6490	4731	1714	5720	4684	1915	5225	4636	2033	
1.5+1.5+3.5	12	18	4478	3657	993	5499	5287	1279	5090	4880	1507	5330	5140	1849	5135	4914	1930	4810	4631	2070	4615	4405	2151	
	14	20	4478	3657	993	5909	5287	1279	5499	4931	1525	5720	5140	1869	5525	4970	1950	5135	4631	2090	4940	4462	2191	
	16	22	4478	3891	1008	6318	5287	1295	5850	4931	1542	6110	5140	1889	5915	4970	1990	5525	4631	2131	5330	4462	2211	
	18	25	4802	4172	1024	6728	5744	1312	6201	5337	1560	6500	5592	1910	6240	5366	1990	5850	5027	2151	5590	4801	2231	
	19	27	4963	4313	1040	6962	6049	1329	6435	5592	1578	6760	5874	1930	6500	5648	2010	6110	5309	2151	5850	5083	2231	
	22	30	5503	4266	1040	7722	5998	1329	7137	5541	1578	7475	5817	1950	7215	5592	2030	6500	5422	2231	6045	5309	2352	
	24	32	5881	4266	1055	8249	5998	1346	7605	5541	1596	7995	5817	1950	7670	5592	2050	6760	5535	2291	6175	5479	2432	
1.5+1.5+5.0	12	18	4822	3938	1037	5922	5693	1336	5481	5255	1574	5740	5535	1932	5530	5292	2016	5180	4988	2163	4970	4744	2247	
	14	20	4822	3938	1037	6363	5693	1336	5922	5310	1593	6160	5535	1953	5950	5353	2037	5530	4988	2184	5320	4805	2289	
	16	22	4822	4190	1054	6804	5693	1353	6300	5310	1611	6580	5535	1974	6370	5353	2079	5950	4988	2226	5740	4805	2310	
	18	25	5171	4493	1070	7245	6186	1371	6678	5748	1630	7000	6022	1995	6720	5778	2079	6300	5413	2247	6020	5170	2331	
	19	27	5345	4645	1086	7497	6514	1389	6930	6022	1648	7280	6326	2016	7000	6082	2100	6580	5718	2247	6300	5474	2331	
	22	30	5926	4594	1086	8316	6460	1389	7686	5967	1648	8050	6265	2037	7770	6022	2121	7000	5839	2331	6510	5718	2457	
	24	32	6333	4594	1102	8883	6460	1406	8190	5967	1667	8610	6265	2037	8260	6022	2142	7280	5961	2394	6650	5900	2541	
1.5+1.8+1.8	12	18	3513	2869	766	4315	4148	986	3993	3829	1162	4182	4033	1426	4029	3855	1488	3774	3634	1597	3621	3457	1659	
	14	20	3513	2869	766	4636	4148	986	4315	3869	1176	4488	4033	1442	4335	3900	1504	4029	3634	1612	3876	3501	1690	
	16	22	3513	3053	778	4957	4148	999	4590	3869	1189	4794	4033	1457	4641	3900	1535	4335	3634	1643	4182	3501	1705	
	18	25	3767	3274	790	5279	4507	1012	4865	4188	1203	5100	4387	1473	4896	4210	1535	4590	3944	1659	4386	3767	1721	
	19	27	3894	3384	802	5462	4746	1025	5049	4387	1217	5304	4609	1488	5100	4432	1550	4794	4166	1659	4590	3988	1721	
	22	30	4318	3347	802	6059	4706	1025	5600	4347	1217	5865	4564	1504	5661	4387	1566	5100	4254	1721	4743	4166	1814	
	24	32	4614	3347	814	6472	4706	1038	5967	4347	1230	6273	4564	1504	6018	4387	1581	5304	4343	1767	4845	4299	1876	

		INDOOR		OUTDOOR TEMPERATURE (°CDB)																				
		EWB	EDB	-10			21			27			32			35			40			43		
		°C	°C	TC	SHC	PI	TC	SHC	PI	TC	SHC	PI	TC	SHC	PI	TC	SHC	PI	TC	SHC	PI	TC	SHC	PI
1.5+1.8+2.5	12	18	3996	3263	889	4907	4717	1145	4541	4354	1349	4756	4586	1656	4582	4385	1728	4292	4133	1854	4118	3931	1926	
	14	20	3996	3263	889	5272	4717	1145	4907	4400	1365	5104	4586	1674	4930	4435	1746	4582	4133	1872	4408	3981	1962	
	16	22	3996	3472	903	5638	4717	1160	5220	4400	1381	5452	4586	1692	5278	4435	1782	4930	4133	1908	4756	3981	1980	
	18	25	4284	3723	917	6003	5125	1175	5533	4763	1397	5800	4989	1710	5568	4788	1782	5220	4485	1926	4988	4284	1998	
	19	27	4429	3848	931	6212	5398	1190	5742	4989	1413	6032	5241	1728	5800	5040	1800	5452	4737	1926	5220	4536	1998	
	22	30	4910	3807	931	6890	5352	1190	6368	4944	1413	6670	5191	1746	6438	4989	1818	5800	4838	1998	5394	4737	2106	
	24	32	5247	3807	945	7360	5352	1205	6786	4944	1429	7134	5191	1746	6844	4989	1836	6032	4939	2052	5510	4889	2178	
1.5+1.8+3.5	12	18	4685	3825	1037	5753	5531	1336	5324	5105	1574	5576	5377	1932	5372	5141	2016	5032	4845	2163	4828	4609	2247	
	14	20	4685	3825	1037	6181	5531	1336	5753	5158	1593	5984	5377	1953	5780	5200	2037	5372	4845	2184	5168	4668	2289	
	16	22	4685	4071	1054	6610	5531	1353	6120	5158	1611	6392	5377	1974	6188	5200	2079	5780	4845	2226	5576	4668	2310	
	18	25	5023	4365	1070	7038	6009	1371	6487	5584	1630	6800	5850	1995	6528	5613	2079	6120	5259	2247	5848	5022	2331	
	19	27	5192	4512	1086	7283	6328	1389	6732	5850	1648	7072	6145	2016	6800	5909	2100	6392	5554	2247	6120	5318	2331	
	22	30	5757	4463	1086	8078	6275	1389	7466	5796	1648	7820	6086	2037	7548	5850	2121	6800	5672	2331	6324	5554	2457	
	24	32	6152	4463	1102	8629	6275	1406	7956	5796	1667	8364	6086	2037	8024	5850	2142	7072	5791	2394	6460	5731	2541	
1.5+1.8+5.0	12	18	4822	3938	1037	5922	5693	1336	5481	5255	1574	5740	5535	1932	5530	5292	2016	5180	4988	2163	4970	4744	2247	
	14	20	4822	3938	1037	6363	5693	1336	5922	5310	1593	6160	5535	1953	5950	5353	2037	5530	4988	2184	5320	4805	2289	
	16	22	4822	4190	1054	6804	5693	1353	6300	5310	1611	6580	5535	1974	6370	5353	2079	5950	4988	2226	5740	4805	2310	
	18	25	5171	4493	1070	7245	6186	1371	6678	5748	1630	7000	6022	1995	6720	5778	2079	6300	5413	2247	6020	5170	2331	
	19	27	5345	4645	1086	7497	6514	1389	6930	6022	1648	7280	6326	2016	7000	6082	2100	6580	5718	2247	6300	5474	2331	
	22	30	5926	4594	1086	8316	6460	1389	7686	5967	1648	8050	6265	2037	7770	6022	2121	7000	5839	2331	6510	5718	2457	
	24	32	6333	4594	1102	8883	6460	1406	8190	5967	1667	8610	6265	2037	8260	6022	2142	7280	5961	2394	6650	5900	2541	
1.5+2.5+2.5	12	18	4478	3657	998	5499	5287	1285	5090	4880	1514	5330	5140	1858	5135	4914	1939	4810	4631	2081	4615	4405	2161	
	14	20	4478	3657	998	5909	5287	1285	5499	4931	1532	5720	5140	1879	5525	4970	1959	5135	4631	2101	4940	4462	2202	
	16	22	4478	3891	1014	6318	5287	1302	5850	4931	1550	6110	5140	1899	5915	4970	2000	5525	4631	2141	5330	4462	2222	
	18	25	4802	4172	1029	6728	5744	1319	6201	5337	1568	6500	5592	1919	6240	5366	2000	5850	5027	2161	5590	4801	2242	
	19	27	4963	4313	1045	6962	6049	1336	6435	5592	1586	6760	5874	1939	6500	5648	2020	6110	5309	2161	5850	5083	2242	
	22	30	5503	4266	1045	7722	5998	1336	7137	5541	1586	7475	5817	1959	7215	5592	2040	6500	5422	2242	6045	5309	2363	
	24	32	5881	4266	1060	8249	5998	1353	7605	5541	1603	7995	5817	1959	7670	5592	2060	6760	5535	2303	6175	5479	2444	
1.5+2.5+3.5	12	18	4822	3938	1037	5922	5693	1336	5481	5255	1574	5740	5535	1932	5530	5292	2016	5180	4988	2163	4970	4744	2247	
	14	20	4822	3938	1037	6363	5693	1336	5922	5310	1593	6160	5535	1953	5950	5353	2037	5530	4988	2184	5320	4805	2289	
	16	22	4822	4190	1054	6804	5693	1353	6300	5310	1611	6580	5535	1974	6370	5353	2079	5950	4988	2226	5740	4805	2310	
	18	25	5171	4493	1070	7245	6186	1371	6678	5748	1630	7000	6022	1995	6720	5778	2079	6300	5413	2247	6020	5170	2331	
	19	27	5345	4645	1086	7497	6514	1389	6930	6022	1648	7280	6326	2016	7000	6082	2100	6580	5718	2247	6300	5474	2331	
	22	30	5926	4594	1086	8316	6460	1389	7686	5967	1648	8050	6265	2037	7770	6022	2121	7000	5839	2331	6510	5718	2457	
	24	32	6333	4594	1102	8883	6460	1406	8190	5967	1667	8610	6265	2037	8260	6022	2142	7280	5961	2394	6650	5900	2541	
1.5+2.5+5.0	12	18	4822	3938	1037	5922	5693	1336	5481	5255	1574	5740	5535	1932	5530	5292	2016	5180	4988	2163	4970	4744	2247	
	14	20	4822	3938	1037	6363	5693	1336	5922	5310	1593	6160	5535	1953	5950	5353	2037	5530	4988	2184	5320	4805	2289	
	16	22	4822	4190	1054	6804	5693	1353	6300	5310	1611	6580	5535	1974	6370	5353	2079	5950	4988	2226	5740	4805	2310	
	18	25	5171	4493	1070	7245	6186	1371	6678	5748	1630	7000	6022	1995	6720	5778	2079	6300	5413	2247	6020	5170	2331	
	19	27	5345	4645	1086	7497	6514	1389	6930	6022	1648	7280	6326	2016	7000	6082	2100	6580	5718	2247	6300	5474	2331	
	22	30	5926	4594	1086	8316	6460	1389	7686	5967	1648	8050	6265	2037	7770	6022	2121	7000	5839	2331	6510	5718	2457	
	24	32	6333	4594	1102	8883	6460	1406	8190	5967	1667	8610	6265	2037	8260	6022	2142	7280	5961	2394	6650	5900	2541	
1.5+3.5+3.5	12	18	4822	3938	1037	5922	5693	1336	5481	5255	1574	5740	5535	1932	5530	5292	2016	5180	4988	2163	4970	4744	2247	
	14	20	4822	3938	1037	6363	5693	1336	5922	5310	1593	6160	5535	1953	5950	5353	2037	5530	4988	2184	5320	4805	2289	
	16	22	4822	4190	1054	6804	5693	1353	6300	5310	1611	6580	5535	1974	6370	5353	2079	5950	4988	2226	5740	4805	2310	
	18	25	5171	4493	1070	7245	6186	1371	6678	5748	1630	7000	6022	1995	6720	5778	2079	6300	5413	2247	6020	5170	2331	
	19	27	5345	4645	1086	7497	6514	1389	6930	6022	1648	7280	6326	2016	7000	6082	2100	6580	5718	2247	6300	5474	2331	
	22	30	5926	4594	1086	8316	6460	1389	7686	5967	1648	8050	6265	2037	7770	6022	2121	7000	5839	2331	6510	5718	2457	
	24	32	6333	4594	1102	8883	6460	1406	8190	5967	1667	8610	6265	2037	8260	6022	2142	7280	5961	2394	6650	5900	2541	

		INDOOR		OUTDOOR TEMPERATURE (°CDB)																				
		EWB	EDB	-10			21			27			32			35			40			43		
		°C	°C	TC	SHC	PI	TC	SHC	PI	TC	SHC	PI	TC	SHC	PI	TC	SHC	PI	TC	SHC	PI	TC	SHC	PI
1.5+3.5+5.0	12	18	4822	3938	1037	5922	5693	1336	5481	5255	1574	5740	5535	1932	5530	5292	2016	5180	4988	2163	4970	4744	2247	
	14	20	4822	3938	1037	6363	5693	1336	5922	5310	1593	6160	5535	1953	5950	5353	2037	5530	4988	2184	5320	4805	2289	
	16	22	4822	4190	1054	6804	5693	1353	6300	5310	1611	6580	5535	1974	6370	5353	2079	5950	4988	2226	5740	4805	2310	
	18	25	5171	4493	1070	7245	6186	1371	6678	5748	1630	7000	6022	1995	6720	5778	2079	6300	5413	2247	6020	5170	2331	
	19	27	5345	4645	1086	7497	6514	1389	6930	6022	1648	7280	6326	2016	7000	6082	2100	6580	5718	2247	6300	5474	2331	
	22	30	5926	4594	1086	8316	6460	1389	7686	5967	1648	8050	6265	2037	7770	6022	2121	7000	5839	2331	6510	5718	2457	
	24	32	6333	4594	1102	8883	6460	1406	8190	5967	1667	8610	6265	2037	8260	6022	2142	7280	5961	2394	6650	5900	2541	
1.8+1.8+1.8	12	18	3720	3038	716	4568	4392	922	4228	4054	1087	4428	4270	1334	4266	4082	1392	3996	3848	1494	3834	3660	1552	
	14	20	3720	3038	716	4909	4392	922	4568	4096	1100	4752	4270	1349	4590	4129	1407	4266	3848	1508	4104	3707	1581	
	16	22	3720	3232	728	5249	4392	935	4860	4096	1113	5076	4270	1363	4914	4129	1436	4590	3848	1537	4428	3707	1595	
	18	25	3989	3466	739	5589	4772	947	5152	4434	1125	5400	4645	1378	5184	4458	1436	4860	4176	1552	4644	3988	1610	
	19	27	4123	3583	750	5783	5025	959	5346	4645	1138	5616	4880	1392	5400	4692	1450	5076	4411	1552	4860	4223	1610	
	22	30	4572	3544	750	6415	4983	959	5929	4603	1138	6210	4833	1407	5994	4645	1465	5400	4505	1610	5022	4411	1697	
	24	32	4885	3544	761	6853	4983	971	6318	4603	1151	6642	4833	1407	6372	4645	1479	5616	4598	1653	5130	4551	1755	
1.8+1.8+2.5	12	18	4202	3432	850	5161	4961	1094	4776	4580	1289	5002	4823	1582	4819	4611	1651	4514	4346	1772	4331	4134	1840	
	14	20	4202	3432	850	5545	4961	1094	5161	4627	1305	5368	4823	1600	5185	4664	1668	4819	4346	1789	4636	4187	1875	
	16	22	4202	3651	863	5929	4961	1109	5490	4627	1320	5734	4823	1617	5551	4664	1703	5185	4346	1823	5002	4187	1892	
	18	25	4506	3915	876	6314	5391	1123	5819	5009	1335	6100	5247	1634	5856	5035	1703	5490	4717	1840	5246	4505	1909	
	19	27	4658	4047	890	6533	5677	1137	6039	5247	1350	6344	5512	1651	6100	5300	1720	5734	4982	1840	5490	4770	1909	
	22	30	5164	4003	890	7247	5629	1137	6698	5200	1350	7015	5459	1668	6771	5247	1737	6100	5088	1909	5673	4982	2012	
	24	32	5519	4003	903	7741	5629	1152	7137	5200	1365	7503	5459	1668	7198	5247	1754	6344	5194	1961	5795	5141	2081	
1.8+1.8+3.5	12	18	4822	3938	1028	5922	5693	1323	5481	5255	1559	5740	5535	1914	5530	5292	1997	5180	4988	2142	4970	4744	2226	
	14	20	4822	3938	1028	6363	5693	1323	5922	5310	1578	6160	5535	1934	5950	5353	2018	5530	4988	2163	5320	4805	2267	
	16	22	4822	4190	1044	6804	5693	1341	6300	5310	1596	6580	5535	1955	6370	5353	2059	5950	4988	2205	5740	4805	2288	
	18	25	5171	4493	1060	7245	6186	1358	6678	5748	1614	7000	6022	1976	6720	5778	2059	6300	5413	2226	6020	5170	2309	
	19	27	5345	4645	1076	7497	6514	1375	6930	6022	1633	7280	6326	1997	7000	6082	2080	6580	5718	2226	6300	5474	2309	
	22	30	5926	4594	1076	8316	6460	1375	7686	5967	1633	8050	6265	2018	7770	6022	2101	7000	5839	2309	6510	5718	2434	
	24	32	6333	4594	1092	8883	6460	1393	8190	5967	1651	8610	6265	2018	8260	6022	2122	7280	5961	2371	6650	5900	2517	
1.8+1.8+5.0	12	18	4822	3938	1028	5922	5693	1323	5481	5255	1559	5740	5535	1914	5530	5292	1997	5180	4988	2142	4970	4744	2226	
	14	20	4822	3938	1028	6363	5693	1323	5922	5310	1578	6160	5535	1934	5950	5353	2018	5530	4988	2163	5320	4805	2267	
	16	22	4822	4190	1044	6804	5693	1341	6300	5310	1596	6580	5535	1955	6370	5353	2059	5950	4988	2205	5740	4805	2288	
	18	25	5171	4493	1060	7245	6186	1358	6678	5748	1614	7000	6022	1976	6720	5778	2059	6300	5413	2226	6020	5170	2309	
	19	27	5345	4645	1076	7497	6514	1375	6930	6022	1633	7280	6326	1997	7000	6082	2080	6580	5718	2226	6300	5474	2309	
	22	30	5926	4594	1076	8316	6460	1375	7686	5967	1633	8050	6265	2018	7770	6022	2101	7000	5839	2309	6510	5718	2434	
	24	32	6333	4594	1092	8883	6460	1393	8190	5967	1651	8610	6265	2018	8260	6022	2122	7280	5961	2371	6650	5900	2517	
1.8+2.5+2.5	12	18	4685	3825	1028	5753	5531	1323	5324	5105	1559	5576	5377	1914	5372	5141	1997	5032	4845	2142	4828	4609	2226	
	14	20	4685	3825	1028	6181	5531	1323	5753	5158	1578	5984	5377	1934	5780	5200	2018	5372	4845	2163	5168	4668	2267	
	16	22	4685	4071	1044	6610	5531	1341	6120	5158	1596	6392	5377	1955	6188	5200	2059	5780	4845	2205	5576	4668	2288	
	18	25	5023	4365	1060	7038	6009	1358	6487	5584	1614	6800	5850	1976	6528	5613	2059	6120	5259	2226	5848	5022	2309	
	19	27	5192	4512	1076	7283	6328	1375	6732	5850	1633	7072	6145	1997	6800	5909	2080	6392	5554	2226	6120	5318	2309	
	22	30	5757	4463	1076	8078	6275	1375	7466	5796	1633	7820	6086	2018	7548	5850	2101	6800	5672	2309	6324	5554	2434	
	24	32	6152	4463	1092	8629	6275	1393	7956	5796	1651	8364	6086	2018	8024	5850	2122	7072	5791	2371	6460	5731	2517	
1.8+2.5+3.5	12	18	4822	3938	1028	5922	5693	1323	5481	5255	1559	5740	5535	1914	5530	5292	1997	5180	4988	2142	4970	4744	2226	
	14	20	4822	3938	1028	6363	5693	1323	5922	5310	1578	6160	5535	1934	5950	5353	2018	5530	4988	2163	5320	4805	2267	
	16	22	4822	4190	1044	6804	5693	1341	6300	5310	1596	6580	5535	1955	6370	5353	2059	5950	4988	2205	5740	4805	2288	
	18	25	5171	4493	1060	7245	6186	1358	6678	5748	1614	7000	6022	1976	6720	5778	2059	6300	5413	2226	6020	5170	2309	
	19	27	5345	4645	1076	7497	6514	1375	6930	6022	1633	7280	6326	1997	7000	6082	2080	6580	5718	2226	6300	5474	2309	
	22	30	5926	4594	1076	8316	6460	1375	7686	5967	1633	8050	6265	2018	7770	6022	2101	7000	5839	2309	6510	5718	2434	
	24	32	6333	4594	1092	8883	6460	1393	8190	5967	1651	8610	6265	2018	8260	6022	2122	7280	5961	2371	6650	5900	2517	





		INDOOR		OUTDOOR TEMPERATURE (°CDB)																				
		EWB	EDB	-10			21			27			32			35			40			43		
		°C	°C	TC	SHC	PI	TC	SHC	PI	TC	SHC	PI	TC	SHC	PI	TC	SHC	PI	TC	SHC	PI	TC	SHC	PI
2.5+3.5+5.0	12	18	4822	3938	1028	5922	5693	1323	5481	5255	1559	5740	5535	1914	5530	5292	1997	5180	4988	2142	4970	4744	2226	
	14	20	4822	3938	1028	6363	5693	1323	5922	5310	1578	6160	5535	1934	5950	5353	2018	5530	4988	2163	5320	4805	2267	
	16	22	4822	4190	1044	6804	5693	1341	6300	5310	1596	6580	5535	1955	6370	5353	2059	5950	4988	2205	5740	4805	2288	
	18	25	5171	4493	1060	7245	6186	1358	6678	5748	1614	7000	6022	1976	6720	5778	2059	6300	5413	2226	6020	5170	2309	
	19	27	5345	4645	1076	7497	6514	1375	6930	6022	1633	7280	6326	1997	7000	6082	2080	6580	5718	2226	6300	5474	2309	
	22	30	5926	4594	1076	8316	6460	1375	7686	5967	1633	8050	6265	2018	7770	6022	2101	7000	5839	2309	6510	5718	2434	
	24	32	6333	4594	1092	8883	6460	1393	8190	5967	1651	8610	6265	2018	8260	6022	2122	7280	5961	2371	6650	5900	2517	
3.5+3.5+3.5	12	18	4822	3938	1028	5922	5693	1323	5481	5255	1559	5740	5535	1914	5530	5292	1997	5180	4988	2142	4970	4744	2226	
	14	20	4822	3938	1028	6363	5693	1323	5922	5310	1578	6160	5535	1934	5950	5353	2018	5530	4988	2163	5320	4805	2267	
	16	22	4822	4190	1044	6804	5693	1341	6300	5310	1596	6580	5535	1955	6370	5353	2059	5950	4988	2205	5740	4805	2288	
	18	25	5171	4493	1060	7245	6186	1358	6678	5748	1614	7000	6022	1976	6720	5778	2059	6300	5413	2226	6020	5170	2309	
	19	27	5345	4645	1076	7497	6514	1375	6930	6022	1633	7280	6326	1997	7000	6082	2080	6580	5718	2226	6300	5474	2309	
	22	30	5926	4594	1076	8316	6460	1375	7686	5967	1633	8050	6265	2018	7770	6022	2101	7000	5839	2309	6510	5718	2434	
	24	32	6333	4594	1092	8883	6460	1393	8190	5967	1651	8610	6265	2018	8260	6022	2122	7280	5961	2371	6650	5900	2517	
1.5+1.5+1.5+1.5	12	18	4133	3375	790	5076	4880	1018	4698	4505	1200	4920	4744	1472	4740	4536	1536	4440	4275	1648	4260	4067	1712	
	14	20	4133	3375	790	5454	4880	1018	5076	4551	1214	5280	4744	1488	5100	4588	1552	4740	4275	1664	4560	4119	1744	
	16	22	4133	3592	803	5832	4880	1031	5400	4551	1228	5640	4744	1504	5460	4588	1584	5100	4275	1696	4920	4119	1760	
	18	25	4432	3851	815	6210	5302	1045	5724	4927	1242	6000	5161	1520	5760	4953	1584	5400	4640	1712	5160	4432	1776	
	19	27	4582	3981	827	6426	5584	1058	5940	5161	1256	6240	5422	1536	6000	5214	1600	5640	4901	1712	5400	4692	1776	
	22	30	5080	3938	827	7128	5537	1058	6588	5115	1256	6900	5370	1552	6660	5161	1616	6000	5005	1776	5580	4901	1872	
	24	32	5428	3938	840	7614	5537	1071	7020	5115	1270	7380	5370	1552	7080	5161	1632	6240	5109	1824	5700	5057	1936	
1.5+1.5+1.5+1.8	12	18	4340	3544	815	5330	5124	1050	4933	4730	1237	5166	4982	1518	4977	4763	1584	4662	4489	1700	4473	4270	1766	
	14	20	4340	3544	815	5727	5124	1050	5330	4779	1252	5544	4982	1535	5355	4817	1601	4977	4489	1716	4788	4325	1799	
	16	22	4340	3771	828	6124	5124	1063	5670	4779	1266	5922	4982	1551	5733	4817	1634	5355	4489	1749	5166	4325	1815	
	18	25	4654	4044	841	6521	5567	1077	6010	5173	1281	6300	5419	1568	6048	5201	1634	5670	4872	1766	5418	4653	1832	
	19	27	4811	4180	853	6747	5863	1091	6237	5419	1295	6552	5693	1584	6300	5474	1650	5922	5146	1766	5670	4927	1832	
	22	30	5334	4135	853	7484	5814	1091	6917	5370	1295	7245	5638	1601	6993	5419	1667	6300	5255	1832	5859	5146	1931	
	24	32	5700	4135	866	7995	5814	1105	7371	5370	1310	7749	5638	1601	7434	5419	1683	6552	5365	1881	5985	5310	1997	
1.5+1.5+1.5+2.5	12	18	4822	3938	934	5922	5693	1202	5481	5255	1417	5740	5535	1739	5530	5292	1814	5180	4988	1947	4970	4744	2022	
	14	20	4822	3938	934	6363	5693	1202	5922	5310	1434	6160	5535	1758	5950	5353	1833	5530	4988	1966	5320	4805	2060	
	16	22	4822	4190	948	6804	5693	1218	6300	5310	1450	6580	5535	1777	6370	5353	1871	5950	4988	2003	5740	4805	2079	
	18	25	5171	4493	963	7245	6186	1234	6678	5748	1467	7000	6022	1796	6720	5778	1871	6300	5413	2022	6020	5170	2098	
	19	27	5345	4645	977	7497	6514	1250	6930	6022	1484	7280	6326	1814	7000	6082	1890	6580	5718	2022	6300	5474	2098	
	22	30	5926	4594	977	8316	6460	1250	7686	5967	1484	8050	6265	1833	7770	6022	1909	7000	5839	2098	6510	5718	2211	
	24	32	6333	4594	992	8883	6460	1266	8190	5967	1500	8610	6265	1833	8260	6022	1928	7280	5961	2155	6650	5900	2287	
1.5+1.5+1.5+3.5	12	18	4822	3938	1057	5922	5693	1361	5481	5255	1604	5740	5535	1969	5530	5292	2054	5180	4988	2204	4970	4744	2290	
	14	20	4822	3938	1057	6363	5693	1361	5922	5310	1623	6160	5535	1990	5950	5353	2076	5530	4988	2226	5320	4805	2333	
	16	22	4822	4190	1074	6804	5693	1379	6300	5310	1642	6580	5535	2012	6370	5353	2119	5950	4988	2268	5740	4805	2354	
	18	25	5171	4493	1090	7245	6186	1397	6678	5748	1661	7000	6022	2033	6720	5778	2119	6300	5413	2290	6020	5170	2375	
	19	27	5345	4645	1107	7497	6514	1415	6930	6022	1680	7280	6326	2054	7000	6082	2140	6580	5718	2290	6300	5474	2375	
	22	30	5926	4594	1107	8316	6460	1415	7686	5967	1680	8050	6265	2076	7770	6022	2161	7000	5839	2375	6510	5718	2504	
	24	32	6333	4594	1123	8883	6460	1433	8190	5967	1699	8610	6265	2076	8260	6022	2183	7280	5961	2440	6650	5900	2589	
1.5+1.5+1.5+5.0	12	18	4822	3938	1057	5922	5693	1361	5481	5255	1604	5740	5535	1969	5530	5292	2054	5180	4988	2204	4970	4744	2290	
	14	20	4822	3938	1057	6363	5693	1361	5922	5310	1623	6160	5535	1990	5950	5353	2076	5530	4988	2226	5320	4805	2333	
	16	22	4822	4190	1074	6804	5693	1379	6300	5310	1642	6580	5535	2012	6370	5353	2119	5950	4988	2268	5740	4805	2354	
	18	25	5171	4493	1090	7245	6186	1397	6678	5748	1661	7000	6022	2033	6720	5778	2119	6300	5413	2290	6020	5170	2375	
	19	27	5345	4645	1107	7497	6514	1415	6930	6022	1680	7280	6326	2054	7000	6082	2140	6580	5718	2290	6300	5474	2375	
	22	30	5926	4594	1107	8316	6460	1415	7686	5967	1680	8050	6265	2076	7770	6022	2161	7000	5839	2375	6510	5718	2504	
	24	32	6333	4594	1123	8883	6460	1433	8190	5967	1699	8610	6265	2076	8260	6022	2183	7280	5961	2440	6650	5900	2589	

		INDOOR		OUTDOOR TEMPERATURE (°CDB)																				
		EWB	EDB	-10			21			27			32			35			40			43		
		°C	°C	TC	SHC	PI	TC	SHC	PI	TC	SHC	PI	TC	SHC	PI	TC	SHC	PI	TC	SHC	PI	TC	SHC	PI
1.5+1.5+ 1.8+1.8	12	18	4547	3713	914	5584	5368	1177	5168	4955	1387	5412	5219	1702	5214	4989	1776	4884	4703	1906	4686	4473	1980	
	14	20	4547	3713	914	5999	5368	1177	5584	5007	1403	5808	5219	1721	5610	5047	1795	5214	4703	1924	5016	4531	2017	
	16	22	4547	3951	928	6415	5368	1192	5940	5007	1420	6204	5219	1739	6006	5047	1832	5610	4703	1961	5412	4531	2035	
	18	25	4875	4236	942	6831	5832	1208	6296	5419	1436	6600	5678	1758	6336	5448	1832	5940	5104	1980	5676	4875	2054	
	19	27	5040	4379	957	7069	6142	1223	6534	5678	1452	6864	5964	1776	6600	5735	1850	6204	5391	1980	5940	5161	2054	
	22	30	5588	4332	957	7841	6090	1223	7247	5626	1452	7590	5907	1795	7326	5678	1869	6600	5506	2054	6138	5391	2165	
	24	32	5971	4332	971	8375	6090	1239	7722	5626	1469	8118	5907	1795	7788	5678	1887	6864	5620	2109	6270	5563	2239	
1.5+1.5+ 1.8+2.5	12	18	4822	3938	993	5922	5693	1279	5481	5255	1507	5740	5535	1849	5530	5292	1930	5180	4988	2070	4970	4744	2151	
	14	20	4822	3938	993	6363	5693	1279	5922	5310	1525	6160	5535	1869	5950	5353	1950	5530	4988	2090	5320	4805	2191	
	16	22	4822	4190	1008	6804	5693	1295	6300	5310	1542	6580	5535	1889	6370	5353	1990	5950	4988	2131	5740	4805	2211	
	18	25	5171	4493	1024	7245	6186	1312	6678	5748	1560	7000	6022	1910	6720	5778	1990	6300	5413	2151	6020	5170	2231	
	19	27	5345	4645	1040	7497	6514	1329	6930	6022	1578	7280	6326	1930	7000	6082	2010	6580	5718	2151	6300	5474	2231	
	22	30	5926	4594	1040	8316	6460	1329	7686	5967	1578	8050	6265	1950	7770	6022	2030	7000	5839	2231	6510	5718	2352	
	24	32	6333	4594	1055	8883	6460	1346	8190	5967	1596	8610	6265	1950	8260	6022	2050	7280	5961	2291	6650	5900	2432	
1.5+1.5+ 1.8+3.5	12	18	4822	3938	1057	5922	5693	1361	5481	5255	1604	5740	5535	1969	5530	5292	2054	5180	4988	2204	4970	4744	2290	
	14	20	4822	3938	1057	6363	5693	1361	5922	5310	1623	6160	5535	1990	5950	5353	2076	5530	4988	2226	5320	4805	2333	
	16	22	4822	4190	1074	6804	5693	1379	6300	5310	1642	6580	5535	2012	6370	5353	2119	5950	4988	2268	5740	4805	2354	
	18	25	5171	4493	1090	7245	6186	1397	6678	5748	1661	7000	6022	2033	6720	5778	2119	6300	5413	2290	6020	5170	2375	
	19	27	5345	4645	1107	7497	6514	1415	6930	6022	1680	7280	6326	2054	7000	6082	2140	6580	5718	2290	6300	5474	2375	
	22	30	5926	4594	1107	8316	6460	1415	7686	5967	1680	8050	6265	2076	7770	6022	2161	7000	5839	2375	6510	5718	2504	
	24	32	6333	4594	1123	8883	6460	1433	8190	5967	1699	8610	6265	2076	8260	6022	2183	7280	5961	2440	6650	5900	2589	
1.5+1.5+ 1.8+5.0	12	18	4822	3938	1057	5922	5693	1361	5481	5255	1604	5740	5535	1969	5530	5292	2054	5180	4988	2204	4970	4744	2290	
	14	20	4822	3938	1057	6363	5693	1361	5922	5310	1623	6160	5535	1990	5950	5353	2076	5530	4988	2226	5320	4805	2333	
	16	22	4822	4190	1074	6804	5693	1379	6300	5310	1642	6580	5535	2012	6370	5353	2119	5950	4988	2268	5740	4805	2354	
	18	25	5171	4493	1090	7245	6186	1397	6678	5748	1661	7000	6022	2033	6720	5778	2119	6300	5413	2290	6020	5170	2375	
	19	27	5345	4645	1107	7497	6514	1415	6930	6022	1680	7280	6326	2054	7000	6082	2140	6580	5718	2290	6300	5474	2375	
	22	30	5926	4594	1107	8316	6460	1415	7686	5967	1680	8050	6265	2076	7770	6022	2161	7000	5839	2375	6510	5718	2504	
	24	32	6333	4594	1123	8883	6460	1433	8190	5967	1699	8610	6265	2076	8260	6022	2183	7280	5961	2440	6650	5900	2589	
1.5+1.5+ 2.5+2.5	12	18	4822	3938	1057	5922	5693	1361	5481	5255	1604	5740	5535	1969	5530	5292	2054	5180	4988	2204	4970	4744	2290	
	14	20	4822	3938	1057	6363	5693	1361	5922	5310	1623	6160	5535	1990	5950	5353	2076	5530	4988	2226	5320	4805	2333	
	16	22	4822	4190	1074	6804	5693	1379	6300	5310	1642	6580	5535	2012	6370	5353	2119	5950	4988	2268	5740	4805	2354	
	18	25	5171	4493	1090	7245	6186	1397	6678	5748	1661	7000	6022	2033	6720	5778	2119	6300	5413	2290	6020	5170	2375	
	19	27	5345	4645	1107	7497	6514	1415	6930	6022	1680	7280	6326	2054	7000	6082	2140	6580	5718	2290	6300	5474	2375	
	22	30	5926	4594	1107	8316	6460	1415	7686	5967	1680	8050	6265	2076	7770	6022	2161	7000	5839	2375	6510	5718	2504	
	24	32	6333	4594	1123	8883	6460	1433	8190	5967	1699	8610	6265	2076	8260	6022	2183	7280	5961	2440	6650	5900	2589	
1.5+1.5+ 2.5+3.5	12	18	4822	3938	1057	5922	5693	1361	5481	5255	1604	5740	5535	1969	5530	5292	2054	5180	4988	2204	4970	4744	2290	
	14	20	4822	3938	1057	6363	5693	1361	5922	5310	1623	6160	5535	1990	5950	5353	2076	5530	4988	2226	5320	4805	2333	
	16	22	4822	4190	1074	6804	5693	1379	6300	5310	1642	6580	5535	2012	6370	5353	2119	5950	4988	2268	5740	4805	2354	
	18	25	5171	4493	1090	7245	6186	1397	6678	5748	1661	7000	6022	2033	6720	5778	2119	6300	5413	2290	6020	5170	2375	
	19	27	5345	4645	1107	7497	6514	1415	6930	6022	1680	7280	6326	2054	7000	6082	2140	6580	5718	2290	6300	5474	2375	
	22	30	5926	4594	1107	8316	6460	1415	7686	5967	1680	8050	6265	2076	7770	6022	2161	7000	5839	2375	6510	5718	2504	
	24	32	6333	4594	1123	8883	6460	1433	8190	5967	1699	8610	6265	2076	8260	6022	2183	7280	5961	2440	6650	5900	2589	
1.5+1.5+ 2.5+5.0	12	18	4822	3938	1057	5922	5693	1361	5481	5255	1604	5740	5535	1969	5530	5292	2054	5180	4988	2204	4970	4744	2290	
	14	20	4822	3938	1057	6363	5693	1361	5922	5310	1623	6160	5535	1990	5950	5353	2076	5530	4988	2226	5320	4805	2333	
	16	22	4822	4190	1074	6804	5693	1379	6300	5310	1642	6580	5535	2012	6370	5353	2119	5950	4988	2268	5740	4805	2354	
	18	25	5171	4493	1090	7245	6186	1397	6678	5748	1661	7000	6022	2033	6720	5778	2119	6300	5413	2290	6020	5170	2375	
	19	27	5345	4645	1107	7497	6514	1415	6930	6022	1680	7280	6326	2054	7000	6082	2140	6580	5718	2290	6300	5474	2375	
	22	30	5926	4594	1107	8316	6460	1415	7686	5967	1680	8050	6265	2076	7770	6022	2161	7000	5839	2375	6510	5718	2504	
	24	32	6333	4594	1123	8883	6460	1433	8190	5967	1699	8610	6265	2076	8260	6022	2183	7280	5961	2440	6650	5900	2589	

		INDOOR		OUTDOOR TEMPERATURE (°CDB)																				
		EWB	EDB	-10			21			27			32			35			40			43		
		°C	°C	TC	SHC	PI	TC	SHC	PI	TC	SHC	PI	TC	SHC	PI	TC	SHC	PI	TC	SHC	PI	TC	SHC	PI
1.5+1.5+ 3.5+3.5	12	18	4822	3938	1057	5922	5693	1361	5481	5255	1604	5740	5535	1969	5530	5292	2054	5180	4988	2204	4970	4744	2290	
	14	20	4822	3938	1057	6363	5693	1361	5922	5310	1623	6160	5535	1990	5950	5353	2076	5530	4988	2226	5320	4805	2333	
	16	22	4822	4190	1074	6804	5693	1379	6300	5310	1642	6580	5535	2012	6370	5353	2119	5950	4988	2268	5740	4805	2354	
	18	25	5171	4493	1090	7245	6186	1397	6678	5748	1661	7000	6022	2033	6720	5778	2119	6300	5413	2290	6020	5170	2375	
	19	27	5345	4645	1107	7497	6514	1415	6930	6022	1680	7280	6326	2054	7000	6082	2140	6580	5718	2290	6300	5474	2375	
	22	30	5926	4594	1107	8316	6460	1415	7686	5967	1680	8050	6265	2076	7770	6022	2161	7000	5839	2375	6510	5718	2504	
	24	32	6333	4594	1123	8883	6460	1433	8190	5967	1699	8610	6265	2076	8260	6022	2183	7280	5961	2440	6650	5900	2589	
1.5+1.8+ 1.8+1.8	12	18	4753	3882	993	5837	5612	1279	5403	5180	1507	5658	5456	1849	5451	5216	1930	5106	4916	2070	4899	4677	2151	
	14	20	4753	3882	993	6272	5612	1279	5837	5234	1525	6072	5456	1869	5865	5276	1950	5451	4916	2090	5244	4737	2191	
	16	22	4753	4130	1008	6707	5612	1295	6210	5234	1542	6486	5456	1889	6279	5276	1990	5865	4916	2131	5658	4737	2211	
	18	25	5097	4429	1024	7142	6098	1312	6583	5666	1560	6900	5936	1910	6624	5696	1990	6210	5336	2151	5934	5096	2231	
	19	27	5269	4578	1040	7390	6421	1329	6831	5936	1578	7176	6235	1930	6900	5996	2010	6486	5636	2151	6210	5396	2231	
	22	30	5842	4528	1040	8197	6367	1329	7576	5882	1578	7935	6175	1950	7659	5936	2030	6900	5756	2231	6417	5636	2352	
	24	32	6242	4528	1055	8756	6367	1346	8073	5882	1596	8487	6175	1950	8142	5936	2050	7176	5876	2291	6555	5816	2432	
1.5+1.8+ 1.8+2.5	12	18	4822	3938	1057	5922	5693	1361	5481	5255	1604	5740	5535	1969	5530	5292	2054	5180	4988	2204	4970	4744	2290	
	14	20	4822	3938	1057	6363	5693	1361	5922	5310	1623	6160	5535	1990	5950	5353	2076	5530	4988	2226	5320	4805	2333	
	16	22	4822	4190	1074	6804	5693	1379	6300	5310	1642	6580	5535	2012	6370	5353	2119	5950	4988	2268	5740	4805	2354	
	18	25	5171	4493	1090	7245	6186	1397	6678	5748	1661	7000	6022	2033	6720	5778	2119	6300	5413	2290	6020	5170	2375	
	19	27	5345	4645	1107	7497	6514	1415	6930	6022	1680	7280	6326	2054	7000	6082	2140	6580	5718	2290	6300	5474	2375	
	22	30	5926	4594	1107	8316	6460	1415	7686	5967	1680	8050	6265	2076	7770	6022	2161	7000	5839	2375	6510	5718	2504	
	24	32	6333	4594	1123	8883	6460	1433	8190	5967	1699	8610	6265	2076	8260	6022	2183	7280	5961	2440	6650	5900	2589	
1.5+1.8+ 1.8+3.5	12	18	4822	3938	1057	5922	5693	1361	5481	5255	1604	5740	5535	1969	5530	5292	2054	5180	4988	2204	4970	4744	2290	
	14	20	4822	3938	1057	6363	5693	1361	5922	5310	1623	6160	5535	1990	5950	5353	2076	5530	4988	2226	5320	4805	2333	
	16	22	4822	4190	1074	6804	5693	1379	6300	5310	1642	6580	5535	2012	6370	5353	2119	5950	4988	2268	5740	4805	2354	
	18	25	5171	4493	1090	7245	6186	1397	6678	5748	1661	7000	6022	2033	6720	5778	2119	6300	5413	2290	6020	5170	2375	
	19	27	5345	4645	1107	7497	6514	1415	6930	6022	1680	7280	6326	2054	7000	6082	2140	6580	5718	2290	6300	5474	2375	
	22	30	5926	4594	1107	8316	6460	1415	7686	5967	1680	8050	6265	2076	7770	6022	2161	7000	5839	2375	6510	5718	2504	
	24	32	6333	4594	1123	8883	6460	1433	8190	5967	1699	8610	6265	2076	8260	6022	2183	7280	5961	2440	6650	5900	2589	
1.5+1.8+ 1.8+5.0	12	18	4822	3938	1057	5922	5693	1361	5481	5255	1604	5740	5535	1969	5530	5292	2054	5180	4988	2204	4970	4744	2290	
	14	20	4822	3938	1057	6363	5693	1361	5922	5310	1623	6160	5535	1990	5950	5353	2076	5530	4988	2226	5320	4805	2333	
	16	22	4822	4190	1074	6804	5693	1379	6300	5310	1642	6580	5535	2012	6370	5353	2119	5950	4988	2268	5740	4805	2354	
	18	25	5171	4493	1090	7245	6186	1397	6678	5748	1661	7000	6022	2033	6720	5778	2119	6300	5413	2290	6020	5170	2375	
	19	27	5345	4645	1107	7497	6514	1415	6930	6022	1680	7280	6326	2054	7000	6082	2140	6580	5718	2290	6300	5474	2375	
	22	30	5926	4594	1107	8316	6460	1415	7686	5967	1680	8050	6265	2076	7770	6022	2161	7000	5839	2375	6510	5718	2504	
	24	32	6333	4594	1123	8883	6460	1433	8190	5967	1699	8610	6265	2076	8260	6022	2183	7280	5961	2440	6650	5900	2589	
1.5+1.8+ 2.5+2.5	12	18	4822	3938	1057	5922	5693	1361	5481	5255	1604	5740	5535	1969	5530	5292	2054	5180	4988	2204	4970	4744	2290	
	14	20	4822	3938	1057	6363	5693	1361	5922	5310	1623	6160	5535	1990	5950	5353	2076	5530	4988	2226	5320	4805	2333	
	16	22	4822	4190	1074	6804	5693	1379	6300	5310	1642	6580	5535	2012	6370	5353	2119	5950	4988	2268	5740	4805	2354	
	18	25	5171	4493	1090	7245	6186	1397	6678	5748	1661	7000	6022	2033	6720	5778	2119	6300	5413	2290	6020	5170	2375	
	19	27	5345	4645	1107	7497	6514	1415	6930	6022	1680	7280	6326	2054	7000	6082	2140	6580	5718	2290	6300	5474	2375	
	22	30	5926	4594	1107	8316	6460	1415	7686	5967	1680	8050	6265	2076	7770	6022	2161	7000	5839	2375	6510	5718	2504	
	24	32	6333	4594	1123	8883	6460	1433	8190	5967	1699	8610	6265	2076	8260	6022	2183	7280	5961	2440	6650	5900	2589	
1.5+1.8+ 2.5+3.5	12	18	4822	3938	1057	5922	5693	1361	5481	5255	1604	5740	5535	1969	5530	5292	2054	5180	4988	2204	4970	4744	2290	
	14	20	4822	3938	1057	6363	5693	1361	5922	5310	1623	6160	5535	1990	5950	5353	2076	5530	4988	2226	5320	4805	2333	
	16	22	4822	4190	1074	6804	5693	1379	6300	5310	1642	6580	5535	2012	6370	5353	2119	5950	4988	2268	5740	4805	2354	
	18	25	5171	4493	1090	7245	6186	1397	6678	5748	1661	7000	6022	2033	6720	5778	2119	6300	5413	2290	6020	5170	2375	
	19	27	5345	4645	1107	7497	6514	1415	6930	6022	1680	7280	6326	2054	7000	6082	2140	6580	5718	2290	6300	5474	2375	
	22	30	5926	4594	1107	8316	6460	1415	7686	5967	1680	8050	6265	2076	7770	6022	2161	7000	5839	2375	6510	5718	2504	
	24	32	6333	4594	1123	8883	6460	1433	8190	5967	1699	8610	6265	2076	8260	6022	2183	7280	5961	2440	6650	5900	2589	





		INDOOR		OUTDOOR TEMPERATURE (°CDB)																				
		EWB	EDB	-10			21			27			32			35			40			43		
		°C	°C	TC	SHC	PI	TC	SHC	PI	TC	SHC	PI	TC	SHC	PI	TC	SHC	PI	TC	SHC	PI	TC	SHC	PI
2.5+2.5+ 2.5+2.5	12	18	4822	3938	1042	5922	5693	1342	5481	5255	1582	5740	5535	1941	5530	5292	2026	5180	4988	2173	4970	4744	2258	
	14	20	4822	3938	1042	6363	5693	1342	5922	5310	1600	6160	5535	1962	5950	5353	2047	5530	4988	2194	5320	4805	2300	
	16	22	4822	4190	1059	6804	5693	1360	6300	5310	1619	6580	5535	1983	6370	5353	2089	5950	4988	2237	5740	4805	2321	
	18	25	5171	4493	1075	7245	6186	1378	6678	5748	1638	7000	6022	2005	6720	5778	2089	6300	5413	2258	6020	5170	2342	
	19	27	5345	4645	1091	7497	6514	1395	6930	6022	1656	7280	6326	2026	7000	6082	2110	6580	5718	2258	6300	5474	2342	
	22	30	5926	4594	1091	8316	6460	1395	7686	5967	1656	8050	6265	2047	7770	6022	2131	7000	5839	2342	6510	5718	2469	
	24	32	6333	4594	1108	8883	6460	1413	8190	5967	1675	8610	6265	2047	8260	6022	2152	7280	5961	2405	6650	5900	2553	
2.5+2.5+ 2.5+3.5	12	18	4822	3938	1042	5922	5693	1342	5481	5255	1582	5740	5535	1941	5530	5292	2026	5180	4988	2173	4970	4744	2258	
	14	20	4822	3938	1042	6363	5693	1342	5922	5310	1600	6160	5535	1962	5950	5353	2047	5530	4988	2194	5320	4805	2300	
	16	22	4822	4190	1059	6804	5693	1360	6300	5310	1619	6580	5535	1983	6370	5353	2089	5950	4988	2237	5740	4805	2321	
	18	25	5171	4493	1075	7245	6186	1378	6678	5748	1638	7000	6022	2005	6720	5778	2089	6300	5413	2258	6020	5170	2342	
	19	27	5345	4645	1091	7497	6514	1395	6930	6022	1656	7280	6326	2026	7000	6082	2110	6580	5718	2258	6300	5474	2342	
	22	30	5926	4594	1091	8316	6460	1395	7686	5967	1656	8050	6265	2047	7770	6022	2131	7000	5839	2342	6510	5718	2469	
	24	32	6333	4594	1108	8883	6460	1413	8190	5967	1675	8610	6265	2047	8260	6022	2152	7280	5961	2405	6650	5900	2553	

### HEATING [50Hz, 230V]

	INDOOR	OUTDOOR TEMPERATURE (°CDB)																							
	°C	-15			-10			-7			-5			0			7			10			15		
		TC	SHC	PI	TC	SHC	PI	TC	SHC	PI	TC	SHC	PI	TC	SHC	PI	TC	SHC	PI	TC	SHC	PI	TC	SHC	PI
RAM-70NP4B	16	4834	0	2309	5873	0	2371	6496	0	2472	6912	0	2540	7951	0	2842	9405	0	2880	9717	0	2958	10236	0	3104
	18	4859	0	2340	5903	0	2402	6529	0	2524	6947	0	2605	7991	0	2914	9453	0	3026	9766	0	3089	10308	0	3120
	20	4883	0	2371	5932	0	2434	6562	0	2565	6982	0	2652	8031	0	2964	9500	0	3120	9815	0	3120	10339	0	3120
	22	4908	0	2402	5962	0	2465	6595	0	2618	7017	0	2721	8071	0	3036	9519	0	3120	9834	0	3120	10360	0	3120
	24	4932	0	2434	5992	0	2496	6628	0	2670	7052	0	2786	8111	0	3108	9538	0	3120	9854	0	3120	10381	0	3120
1.5	16	1120	0	629	1360	0	646	1504	0	674	1601	0	692	1841	0	774	2178	0	785	2427	0	806	2801	0	846
	18	1125	0	638	1367	0	655	1512	0	688	1609	0	710	1851	0	794	2189	0	825	2418	0	842	2387	0	886
	20	1131	0	646	1374	0	663	1520	0	699	1617	0	723	1860	0	808	2200	0	850	2273	0	850	2394	0	850
	22	1136	0	655	1381	0	672	1527	0	713	1625	0	741	1869	0	827	2204	0	850	2277	0	850	2399	0	850
	24	1142	0	663	1388	0	680	1535	0	727	1633	0	759	1878	0	847	2209	0	850	2282	0	850	2404	0	850
1.8	16	1781	0	836	2164	0	859	2393	0	895	2546	0	920	2929	0	1029	3465	0	1043	3861	0	1071	4456	0	1124
	18	1790	0	848	2175	0	870	2406	0	914	2559	0	944	2944	0	1055	3483	0	1096	3847	0	1119	3798	0	1130
	20	1799	0	859	2186	0	881	2418	0	929	2572	0	961	2959	0	1074	3500	0	1130	3616	0	1130	3809	0	1130
	22	1808	0	870	2197	0	893	2430	0	948	2585	0	985	2974	0	1099	3507	0	1130	3623	0	1130	3817	0	1130
	24	1817	0	881	2208	0	904	2442	0	967	2598	0	1009	2988	0	1125	3514	0	1130	3630	0	1130	3824	0	1130
2.5	16	2392	0	1095	2906	0	1125	3214	0	1173	3420	0	1205	3934	0	1348	4653	0	1366	5184	0	1403	5983	0	1473
	18	2404	0	1110	2920	0	1140	3230	0	1197	3437	0	1236	3953	0	1382	4677	0	1436	5165	0	1465	5100	0	1480
	20	2416	0	1125	2935	0	1154	3246	0	1217	3454	0	1258	3973	0	1406	4700	0	1480	4856	0	1480	5115	0	1480
	22	2428	0	1140	2950	0	1169	3263	0	1242	3471	0	1291	3993	0	1440	4709	0	1480	4865	0	1480	5126	0	1480
	24	2440	0	1154	2964	0	1184	3279	0	1267	3489	0	1322	4013	0	1474	4719	0	1480	4875	0	1480	5136	0	1480
3.5	16	2952	0	1443	3586	0	1482	3966	0	1545	4220	0	1587	4854	0	1776	5742	0	1800	6397	0	1849	7383	0	1940
	18	2966	0	1463	3604	0	1502	3986	0	1578	4241	0	1628	4879	0	1821	5771	0	1892	6374	0	1931	6294	0	1950
	20	2981	0	1482	3622	0	1521	4006	0	1603	4263	0	1658	4903	0	1853	5800	0	1950	5992	0	1950	6312	0	1950
	22	2996	0	1502	3640	0	1541	4026	0	1636	4284	0	1700	4928	0	1897	5812	0	1950	6004	0	1950	6325	0	1950
	24	3011	0	1521	3658	0	1560	4046	0	1669	4305	0	1741	4952	0	1942	5823	0	1950	6016	0	1950	6338	0	1950
5.0	16	3664	0	1872	4451	0	1923	4924	0	2005	5239	0	2059	6026	0	2305	7128	0	2335	7942	0	2398	9166	0	2517
	18	3682	0	1898	4474	0	1948	4948	0	2047	5265	0	2113	6056	0	2363	7164	0	2454	7913	0	2505	7813	0	2530
	20	3701	0	1923	4496	0	1973	4973	0	2080	5291	0	2151	6087	0	2404	7200	0	2530	7439	0	2530	7836	0	2530
	22	3719	0	1948	4519	0	1999	4998	0	2123	5318	0	2206	6117	0	2462	7214	0	2530	7453	0	2530	7852	0	2530
	24	3738	0	1973	4541	0	2024	5023	0	2165	5344	0	2259	6148	0	2520	7229	0	2530	7468	0	2530	7868	0	2530
1.5+1.5	16	2392	0	814	2906	0	836	3214	0	872	3420	0	895	3934	0	1002	4653	0	1015	5184	0	1043	5983	0	1095
	18	2404	0	825	2920	0	847	3230	0	890	3437	0	919	3953	0	1027	4677	0	1067	5165	0	1089	5100	0	1100
	20	2416	0	836	2935	0	858	3246	0	904	3454	0	935	3973	0	1045	4700	0	1100	4856	0	1100	5115	0	1100
	22	2428	0	847	2950	0	869	3263	0	923	3471	0	959	3993	0	1070	4709	0	1100	4865	0	1100	5126	0	1100
	24	2440	0	858	2964	0	880	3279	0	941	3489	0	982	4013	0	1096	4719	0	1100	4875	0	1100	5136	0	1100
1.5+1.8	16	2646	0	962	3215	0	988	3556	0	1030	3783	0	1058	4352	0	1184	5148	0	1200	5736	0	1232	6620	0	1294
	18	2660	0	975	3231	0	1001	3574	0	1052	3802	0	1086	4374	0	1214	5174	0	1261	5715	0	1287	5642	0	1300
	20	2673	0	988	3247	0	1014	3592	0	1069	3822	0	1105	4396	0	1235	5200	0	1300	5372	0	1300	5659	0	1300
	22	2686	0	1001	3263	0	1027	3610	0	1091	3841	0	1134	4418	0	1265	5210	0	1300	5383	0	1300	5671	0	1300
	24	2700	0	1014	3280	0	1040	3628	0	1113	3860	0	1161	4440	0	1295	5221	0	1300	5394	0	1300	5682	0	1300

EWB : Evaporator Wet Bulb temperature (°C)

TC : Total Capacity (W)

EDB : Evaporator Dry Bulb temperature (°C)

SHC : Sensible Heating Capacity (W)

(°CDB) : Outdoor Unit Inlet Air Dry Temperature (°C)

PI : Power Input

	INDOOR	OUTDOOR TEMPERATURE (°CDB)																							
	EDB	-15			-10			-7			-5			0			7			10			15		
	°C	TC	SHC	PI	TC	SHC	PI	TC	SHC	PI	TC	SHC	PI	TC	SHC	PI	TC	SHC	PI	TC	SHC	PI	TC	SHC	PI
1.5+2.5	16	3257	0	1317	3957	0	1353	4377	0	1410	4656	0	1449	5356	0	1622	6336	0	1643	7059	0	1687	8147	0	1771
	18	3273	0	1335	3977	0	1371	4399	0	1440	4680	0	1486	5383	0	1663	6368	0	1727	7034	0	1762	6945	0	1780
	20	3290	0	1353	3997	0	1388	4421	0	1463	4703	0	1513	5410	0	1691	6400	0	1780	6612	0	1780	6966	0	1780
	22	3306	0	1371	4017	0	1406	4443	0	1494	4727	0	1552	5437	0	1732	6413	0	1780	6625	0	1780	6979	0	1780
	24	3323	0	1388	4037	0	1424	4465	0	1523	4751	0	1590	5464	0	1773	6426	0	1780	6639	0	1780	6993	0	1780
1.5+3.5	16	3664	0	1487	4451	0	1528	4924	0	1593	5239	0	1636	6026	0	1831	7128	0	1855	7942	0	1905	9166	0	2000
	18	3682	0	1508	4474	0	1548	4948	0	1626	5265	0	1678	6056	0	1877	7164	0	1950	7913	0	1990	7813	0	2010
	20	3701	0	1528	4496	0	1568	4973	0	1652	5291	0	1709	6087	0	1910	7200	0	2010	7439	0	2010	7836	0	2010
	22	3719	0	1548	4519	0	1588	4998	0	1687	5318	0	1753	6117	0	1956	7214	0	2010	7453	0	2010	7852	0	2010
	24	3738	0	1568	4541	0	1608	5023	0	1720	5344	0	1795	6148	0	2002	7229	0	2010	7468	0	2010	7868	0	2010
1.5+5	16	3664	0	2309	4451	0	2371	4924	0	2472	5239	0	2540	6026	0	2842	7128	0	2880	7942	0	2958	9166	0	3104
	18	3682	0	2340	4474	0	2402	4948	0	2524	5265	0	2605	6056	0	2914	7164	0	3026	7913	0	3089	7813	0	3120
	20	3701	0	2371	4496	0	2434	4973	0	2565	5291	0	2652	6087	0	2964	7200	0	3120	7439	0	3120	7836	0	3120
	22	3719	0	2402	4519	0	2465	4998	0	2618	5318	0	2721	6117	0	3036	7214	0	3120	7453	0	3120	7852	0	3120
	24	3738	0	2434	4541	0	2496	5023	0	2670	5344	0	2786	6148	0	3108	7229	0	3120	7468	0	3120	7868	0	3120
1.8+1.8	16	3257	0	2035	3957	0	2090	4377	0	2179	4656	0	2239	5356	0	2505	6336	0	2538	7059	0	2607	8147	0	2736
	18	3273	0	2063	3977	0	2118	4399	0	2225	4680	0	2296	5383	0	2569	6368	0	2668	7034	0	2723	6945	0	2750
	20	3290	0	2090	3997	0	2145	4421	0	2261	4703	0	2338	5410	0	2613	6400	0	2750	6612	0	2750	6966	0	2750
	22	3306	0	2118	4017	0	2173	4443	0	2308	4727	0	2398	5437	0	2676	6413	0	2750	6625	0	2750	6979	0	2750
	24	3323	0	2145	4037	0	2200	4465	0	2353	4751	0	2456	5464	0	2739	6426	0	2750	6639	0	2750	6993	0	2750
1.8+2.5	16	3664	0	2220	4451	0	2280	4924	0	2377	5239	0	2442	6026	0	2733	7128	0	2769	7942	0	2844	9166	0	2985
	18	3682	0	2250	4474	0	2310	4948	0	2427	5265	0	2505	6056	0	2802	7164	0	2910	7913	0	2970	7813	0	3000
	20	3701	0	2280	4496	0	2340	4973	0	2466	5291	0	2550	6087	0	2850	7200	0	3000	7439	0	3000	7836	0	3000
	22	3719	0	2310	4519	0	2370	4998	0	2518	5318	0	2616	6117	0	2919	7214	0	3000	7453	0	3000	7852	0	3000
	24	3738	0	2340	4541	0	2400	5023	0	2567	5344	0	2679	6148	0	2988	7229	0	3000	7468	0	3000	7868	0	3000
1.8+3.5	16	3664	0	2309	4451	0	2371	4924	0	2472	5239	0	2540	6026	0	2842	7128	0	2880	7942	0	2958	9166	0	3104
	18	3682	0	2340	4474	0	2402	4948	0	2524	5265	0	2605	6056	0	2914	7164	0	3026	7913	0	3089	7813	0	3120
	20	3701	0	2371	4496	0	2434	4973	0	2565	5291	0	2652	6087	0	2964	7200	0	3120	7439	0	3120	7836	0	3120
	22	3719	0	2402	4519	0	2465	4998	0	2618	5318	0	2721	6117	0	3036	7214	0	3120	7453	0	3120	7852	0	3120
	24	3738	0	2434	4541	0	2496	5023	0	2670	5344	0	2786	6148	0	3108	7229	0	3120	7468	0	3120	7868	0	3120
1.8+5.0	16	4834	0	2309	5873	0	2371	6496	0	2472	6912	0	2540	7951	0	2842	9405	0	2880	10479	0	2958	12094	0	3104
	18	4859	0	2340	5903	0	2402	6529	0	2524	6947	0	2605	7991	0	2914	9453	0	3026	10441	0	3089	10308	0	3120
	20	4883	0	2371	5932	0	2434	6562	0	2565	6982	0	2652	8031	0	2964	9500	0	3120	9815	0	3120	10339	0	3120
	22	4908	0	2402	5962	0	2465	6595	0	2618	7017	0	2721	8071	0	3036	9519	0	3120	9834	0	3120	10360	0	3120
	24	4932	0	2434	5992	0	2496	6628	0	2670	7052	0	2786	8111	0	3108	9538	0	3120	9854	0	3120	10381	0	3120
2.5+2.5	16	4834	0	2309	5873	0	2371	6496	0	2472	6912	0	2540	7951	0	2842	9405	0	2880	10479	0	2958	12094	0	3104
	18	4859	0	2340	5903	0	2402	6529	0	2524	6947	0	2605	7991	0	2914	9453	0	3026	10441	0	3089	10308	0	3120
	20	4883	0	2371	5932	0	2434	6562	0	2565	6982	0	2652	8031	0	2964	9500	0	3120	9815	0	3120	10339	0	3120
	22	4908	0	2402	5962	0	2465	6595	0	2618	7017	0	2721	8071	0	3036	9519	0	3120	9834	0	3120	10360	0	3120
	24	4932	0	2434	5992	0	2496	6628	0	2670	7052	0	2786	8111	0	3108	9538	0	3120	9854	0	3120	10381	0	3120



	INDOOR	OUTDOOR TEMPERATURE (°CDB)																							
	EDB	-15			-10			-7			-5			0			7			10			15		
	°C	TC	SHC	PI	TC	SHC	PI	TC	SHC	PI	TC	SHC	PI	TC	SHC	PI	TC	SHC	PI	TC	SHC	PI	TC	SHC	PI
2.5+3.5	16	4834	0	2309	5873	0	2371	6496	0	2472	6912	0	2540	7951	0	2842	9405	0	2880	10479	0	2958	12094	0	3104
	18	4859	0	2340	5903	0	2402	6529	0	2524	6947	0	2605	7991	0	2914	9453	0	3026	10441	0	3089	10308	0	3120
	20	4883	0	2371	5932	0	2434	6562	0	2565	6982	0	2652	8031	0	2964	9500	0	3120	9815	0	3120	10339	0	3120
	22	4908	0	2402	5962	0	2465	6595	0	2618	7017	0	2721	8071	0	3036	9519	0	3120	9834	0	3120	10360	0	3120
	24	4932	0	2434	5992	0	2496	6628	0	2670	7052	0	2786	8111	0	3108	9538	0	3120	9854	0	3120	10381	0	3120
2.5+5.0	16	4834	0	2309	5873	0	2371	6496	0	2472	6912	0	2540	7951	0	2842	9405	0	2880	10479	0	2958	12094	0	3104
	18	4859	0	2340	5903	0	2402	6529	0	2524	6947	0	2605	7991	0	2914	9453	0	3026	10441	0	3089	10308	0	3120
	20	4883	0	2371	5932	0	2434	6562	0	2565	6982	0	2652	8031	0	2964	9500	0	3120	9815	0	3120	10339	0	3120
	22	4908	0	2402	5962	0	2465	6595	0	2618	7017	0	2721	8071	0	3036	9519	0	3120	9834	0	3120	10360	0	3120
	24	4932	0	2434	5992	0	2496	6628	0	2670	7052	0	2786	8111	0	3108	9538	0	3120	9854	0	3120	10381	0	3120
3.5+3.5	16	4834	0	2309	5873	0	2371	6496	0	2472	6912	0	2540	7951	0	2842	9405	0	2880	10479	0	2958	12094	0	3104
	18	4859	0	2340	5903	0	2402	6529	0	2524	6947	0	2605	7991	0	2914	9453	0	3026	10441	0	3089	10308	0	3120
	20	4883	0	2371	5932	0	2434	6562	0	2565	6982	0	2652	8031	0	2964	9500	0	3120	9815	0	3120	10339	0	3120
	22	4908	0	2402	5962	0	2465	6595	0	2618	7017	0	2721	8071	0	3036	9519	0	3120	9834	0	3120	10360	0	3120
	24	4932	0	2434	5992	0	2496	6628	0	2670	7052	0	2786	8111	0	3108	9538	0	3120	9854	0	3120	10381	0	3120
3.5+5.0	16	4834	0	2309	5873	0	2371	6496	0	2472	6912	0	2540	7951	0	2842	9405	0	2880	10479	0	2958	12094	0	3104
	18	4859	0	2340	5903	0	2402	6529	0	2524	6947	0	2605	7991	0	2914	9453	0	3026	10441	0	3089	10308	0	3120
	20	4883	0	2371	5932	0	2434	6562	0	2565	6982	0	2652	8031	0	2964	9500	0	3120	9815	0	3120	10339	0	3120
	22	4908	0	2402	5962	0	2465	6595	0	2618	7017	0	2721	8071	0	3036	9519	0	3120	9834	0	3120	10360	0	3120
	24	4932	0	2434	5992	0	2496	6628	0	2670	7052	0	2786	8111	0	3108	9538	0	3120	9854	0	3120	10381	0	3120
5.0+5.0	16	4834	0	2309	5873	0	2371	6496	0	2472	6912	0	2540	7951	0	2842	9405	0	2880	10479	0	2958	12094	0	3104
	18	4859	0	2340	5903	0	2402	6529	0	2524	6947	0	2605	7991	0	2914	9453	0	3026	10441	0	3089	10308	0	3120
	20	4883	0	2371	5932	0	2434	6562	0	2565	6982	0	2652	8031	0	2964	9500	0	3120	9815	0	3120	10339	0	3120
	22	4908	0	2402	5962	0	2465	6595	0	2618	7017	0	2721	8071	0	3036	9519	0	3120	9834	0	3120	10360	0	3120
	24	4932	0	2434	5992	0	2496	6628	0	2670	7052	0	2786	8111	0	3108	9538	0	3120	9854	0	3120	10381	0	3120
1.5+1.5+1.5	16	3308	0	1332	4018	0	1368	4445	0	1426	4729	0	1465	5440	0	1640	6435	0	1661	7170	0	1706	8275	0	1791
	18	3324	0	1350	4039	0	1386	4467	0	1456	4753	0	1503	5467	0	1681	6468	0	1746	7144	0	1782	7053	0	1800
	20	3341	0	1368	4059	0	1404	4490	0	1480	4777	0	1530	5495	0	1710	6500	0	1800	6715	0	1800	7074	0	1800
	22	3358	0	1386	4079	0	1422	4512	0	1511	4801	0	1570	5522	0	1751	6513	0	1800	6729	0	1800	7088	0	1800
	24	3375	0	1404	4100	0	1440	4535	0	1540	4825	0	1607	5550	0	1793	6526	0	1800	6742	0	1800	7103	0	1800
1.5+1.5+1.8	16	3562	0	1554	4328	0	1596	4787	0	1664	5093	0	1709	5858	0	1913	6930	0	1938	7721	0	1991	8911	0	2090
	18	3580	0	1575	4349	0	1617	4811	0	1699	5119	0	1754	5888	0	1961	6965	0	2037	7693	0	2079	7596	0	2100
	20	3598	0	1596	4371	0	1638	4835	0	1726	5144	0	1785	5918	0	1995	7000	0	2100	7232	0	2100	7619	0	2100
	22	3616	0	1617	4393	0	1659	4859	0	1762	5170	0	1831	5947	0	2043	7014	0	2100	7246	0	2100	7634	0	2100
	24	3634	0	1638	4415	0	1680	4884	0	1797	5196	0	1875	5977	0	2092	7028	0	2100	7261	0	2100	7649	0	2100
1.5+1.5+2.5	16	4733	0	1628	5749	0	1672	6360	0	1743	6766	0	1791	7783	0	2004	9207	0	2031	10258	0	2086	11839	0	2189
	18	4756	0	1650	5779	0	1694	6392	0	1780	6801	0	1837	7823	0	2055	9254	0	2134	10221	0	2178	10091	0	2200
	20	4780	0	1672	5808	0	1716	6424	0	1808	6835	0	1870	7862	0	2090	9300	0	2200	9608	0	2200	10122	0	2200
	22	4804	0	1694	5837	0	1738	6456	0	1846	6869	0	1918	7901	0	2141	9319	0	2200	9627	0	2200	10142	0	2200
	24	4828	0	1716	5866	0	1760	6488	0	1883	6903	0	1965	7941	0	2191	9337	0	2200	9647	0	2200	10162	0	2200

	INDOOR	OUTDOOR TEMPERATURE (°CDB)																							
	EDB	-15			-10			-7			-5			0			7			10			15		
	°C	TC	SHC	PI	TC	SHC	PI	TC	SHC	PI	TC	SHC	PI	TC	SHC	PI	TC	SHC	PI	TC	SHC	PI	TC	SHC	PI
1.5+1.5+3.5	16	4834	0	1850	5873	0	1900	6496	0	1981	6912	0	2035	7951	0	2278	9405	0	2308	10479	0	2370	12094	0	2488
	18	4859	0	1875	5903	0	1925	6529	0	2023	6947	0	2088	7991	0	2335	9453	0	2425	10441	0	2475	10308	0	2500
	20	4883	0	1900	5932	0	1950	6562	0	2055	6982	0	2125	8031	0	2375	9500	0	2500	9815	0	2500	10339	0	2500
	22	4908	0	1925	5962	0	1975	6595	0	2098	7017	0	2180	8071	0	2433	9519	0	2500	9834	0	2500	10360	0	2500
	24	4932	0	1950	5992	0	2000	6628	0	2140	7052	0	2233	8111	0	2490	9538	0	2500	9854	0	2500	10381	0	2500
1.5+1.5+5	16	4834	0	1924	5873	0	1976	6496	0	2060	6912	0	2116	7951	0	2369	9405	0	2400	10479	0	2465	12094	0	2587
	18	4859	0	1950	5903	0	2002	6529	0	2103	6947	0	2171	7991	0	2428	9453	0	2522	10441	0	2574	10308	0	2600
	20	4883	0	1976	5932	0	2028	6562	0	2137	6982	0	2210	8031	0	2470	9500	0	2600	9815	0	2600	10339	0	2600
	22	4908	0	2002	5962	0	2054	6595	0	2182	7017	0	2267	8071	0	2530	9519	0	2600	9834	0	2600	10360	0	2600
	24	4932	0	2028	5992	0	2080	6628	0	2225	7052	0	2322	8111	0	2590	9538	0	2600	9854	0	2600	10381	0	2600
1.5+1.8+1.8	16	4733	0	1776	5749	0	1824	6360	0	1902	6766	0	1954	7783	0	2186	9207	0	2215	10258	0	2275	11839	0	2388
	18	4756	0	1800	5779	0	1848	6392	0	1942	6801	0	2004	7823	0	2242	9254	0	2328	10221	0	2376	10091	0	2400
	20	4780	0	1824	5808	0	1872	6424	0	1973	6835	0	2040	7862	0	2280	9300	0	2400	9608	0	2400	10122	0	2400
	22	4804	0	1848	5837	0	1896	6456	0	2014	6869	0	2093	7901	0	2335	9319	0	2400	9627	0	2400	10142	0	2400
	24	4828	0	1872	5866	0	1920	6488	0	2054	6903	0	2143	7941	0	2390	9337	0	2400	9647	0	2400	10162	0	2400
1.5+1.8+2.5	16	4834	0	1924	5873	0	1976	6496	0	2060	6912	0	2116	7951	0	2369	9405	0	2400	10479	0	2465	12094	0	2587
	18	4859	0	1950	5903	0	2002	6529	0	2103	6947	0	2171	7991	0	2428	9453	0	2522	10441	0	2574	10308	0	2600
	20	4883	0	1976	5932	0	2028	6562	0	2137	6982	0	2210	8031	0	2470	9500	0	2600	9815	0	2600	10339	0	2600
	22	4908	0	2002	5962	0	2054	6595	0	2182	7017	0	2267	8071	0	2530	9519	0	2600	9834	0	2600	10360	0	2600
	24	4932	0	2028	5992	0	2080	6628	0	2225	7052	0	2322	8111	0	2590	9538	0	2600	9854	0	2600	10381	0	2600
1.5+1.8+3.5	16	4834	0	1924	5873	0	1976	6496	0	2060	6912	0	2116	7951	0	2369	9405	0	2400	10479	0	2465	12094	0	2587
	18	4859	0	1950	5903	0	2002	6529	0	2103	6947	0	2171	7991	0	2428	9453	0	2522	10441	0	2574	10308	0	2600
	20	4883	0	1976	5932	0	2028	6562	0	2137	6982	0	2210	8031	0	2470	9500	0	2600	9815	0	2600	10339	0	2600
	22	4908	0	2002	5962	0	2054	6595	0	2182	7017	0	2267	8071	0	2530	9519	0	2600	9834	0	2600	10360	0	2600
	24	4932	0	2028	5992	0	2080	6628	0	2225	7052	0	2322	8111	0	2590	9538	0	2600	9854	0	2600	10381	0	2600
1.5+1.8+5	16	4834	0	1924	5873	0	1976	6496	0	2060	6912	0	2116	7951	0	2369	9405	0	2400	10479	0	2465	12094	0	2587
	18	4859	0	1950	5903	0	2002	6529	0	2103	6947	0	2171	7991	0	2428	9453	0	2522	10441	0	2574	10308	0	2600
	20	4883	0	1976	5932	0	2028	6562	0	2137	6982	0	2210	8031	0	2470	9500	0	2600	9815	0	2600	10339	0	2600
	22	4908	0	2002	5962	0	2054	6595	0	2182	7017	0	2267	8071	0	2530	9519	0	2600	9834	0	2600	10360	0	2600
	24	4932	0	2028	5992	0	2080	6628	0	2225	7052	0	2322	8111	0	2590	9538	0	2600	9854	0	2600	10381	0	2600
1.5+2.5+2.5	16	4834	0	1924	5873	0	1976	6496	0	2060	6912	0	2116	7951	0	2369	9405	0	2400	10479	0	2465	12094	0	2587
	18	4859	0	1950	5903	0	2002	6529	0	2103	6947	0	2171	7991	0	2428	9453	0	2522	10441	0	2574	10308	0	2600
	20	4883	0	1976	5932	0	2028	6562	0	2137	6982	0	2210	8031	0	2470	9500	0	2600	9815	0	2600	10339	0	2600
	22	4908	0	2002	5962	0	2054	6595	0	2182	7017	0	2267	8071	0	2530	9519	0	2600	9834	0	2600	10360	0	2600
	24	4932	0	2028	5992	0	2080	6628	0	2225	7052	0	2322	8111	0	2590	9538	0	2600	9854	0	2600	10381	0	2600
1.5+2.5+3.5	16	4834	0	1924	5873	0	1976	6496	0	2060	6912	0	2116	7951	0	2369	9405	0	2400	10479	0	2465	12094	0	2587
	18	4859	0	1950	5903	0	2002	6529	0	2103	6947	0	2171	7991	0	2428	9453	0	2522	10441	0	2574	10308	0	2600
	20	4883	0	1976	5932	0	2028	6562	0	2137	6982	0	2210	8031	0	2470	9500	0	2600	9815	0	2600	10339	0	2600
	22	4908	0	2002	5962	0	2054	6595	0	2182	7017	0	2267	8071	0	2530	9519	0	2600	9834	0	2600	10360	0	2600
	24	4932	0	2028	5992	0	2080	6628	0	2225	7052	0	2322	8111	0	2590	9538	0	2600	9854	0	2600	10381	0	2600





	INDOOR	OUTDOOR TEMPERATURE (°CDB)																							
	EDB	-15			-10			-7			-5			0			7			10			15		
	°C	TC	SHC	PI	TC	SHC	PI	TC	SHC	PI	TC	SHC	PI	TC	SHC	PI	TC	SHC	PI	TC	SHC	PI	TC	SHC	PI
2.5+3.5+3.5	16	4834	0	1924	5873	0	1976	6496	0	2060	6912	0	2116	7951	0	2369	9405	0	2400	10479	0	2465	12094	0	2587
	18	4859	0	1950	5903	0	2002	6529	0	2103	6947	0	2171	7991	0	2428	9453	0	2522	10441	0	2574	10308	0	2600
	20	4883	0	1976	5932	0	2028	6562	0	2137	6982	0	2210	8031	0	2470	9500	0	2600	9815	0	2600	10339	0	2600
	22	4908	0	2002	5962	0	2054	6595	0	2182	7017	0	2267	8071	0	2530	9519	0	2600	9834	0	2600	10360	0	2600
	24	4932	0	2028	5992	0	2080	6628	0	2225	7052	0	2322	8111	0	2590	9538	0	2600	9854	0	2600	10381	0	2600
2.5+3.5+5.0	16	4834	0	1924	5873	0	1976	6496	0	2060	6912	0	2116	7951	0	2369	9405	0	2400	10479	0	2465	12094	0	2587
	18	4859	0	1950	5903	0	2002	6529	0	2103	6947	0	2171	7991	0	2428	9453	0	2522	10441	0	2574	10308	0	2600
	20	4883	0	1976	5932	0	2028	6562	0	2137	6982	0	2210	8031	0	2470	9500	0	2600	9815	0	2600	10339	0	2600
	22	4908	0	2002	5962	0	2054	6595	0	2182	7017	0	2267	8071	0	2530	9519	0	2600	9834	0	2600	10360	0	2600
	24	4932	0	2028	5992	0	2080	6628	0	2225	7052	0	2322	8111	0	2590	9538	0	2600	9854	0	2600	10381	0	2600
3.5+3.5+3.5	16	4834	0	1924	5873	0	1976	6496	0	2060	6912	0	2116	7951	0	2369	9405	0	2400	10479	0	2465	12094	0	2587
	18	4859	0	1950	5903	0	2002	6529	0	2103	6947	0	2171	7991	0	2428	9453	0	2522	10441	0	2574	10308	0	2600
	20	4883	0	1976	5932	0	2028	6562	0	2137	6982	0	2210	8031	0	2470	9500	0	2600	9815	0	2600	10339	0	2600
	22	4908	0	2002	5962	0	2054	6595	0	2182	7017	0	2267	8071	0	2530	9519	0	2600	9834	0	2600	10360	0	2600
	24	4932	0	2028	5992	0	2080	6628	0	2225	7052	0	2322	8111	0	2590	9538	0	2600	9854	0	2600	10381	0	2600
1.5+1.5+1.5+1.5	16	4580	0	1791	5564	0	1839	6154	0	1918	6548	0	1970	7532	0	2205	8910	0	2234	9927	0	2294	11457	0	2408
	18	4603	0	1815	5592	0	1863	6186	0	1958	6581	0	2021	7570	0	2260	8955	0	2347	9891	0	2396	9766	0	2420
	20	4626	0	1839	5620	0	1888	6217	0	1989	6614	0	2057	7608	0	2299	9000	0	2420	9298	0	2420	9795	0	2420
	22	4649	0	1863	5648	0	1912	6248	0	2031	6647	0	2110	7646	0	2355	9018	0	2420	9317	0	2420	9815	0	2420
	24	4672	0	1888	5676	0	1936	6279	0	2071	6680	0	2161	7684	0	2410	9036	0	2420	9335	0	2420	9834	0	2420
1.5+1.5+1.5+1.8	16	4834	0	1865	5873	0	1915	6496	0	1997	6912	0	2051	7951	0	2296	9405	0	2326	10479	0	2389	12094	0	2507
	18	4859	0	1890	5903	0	1940	6529	0	2039	6947	0	2104	7991	0	2354	9453	0	2444	10441	0	2495	10308	0	2520
	20	4883	0	1915	5932	0	1966	6562	0	2071	6982	0	2142	8031	0	2394	9500	0	2520	9815	0	2520	10339	0	2520
	22	4908	0	1940	5962	0	1991	6595	0	2115	7017	0	2197	8071	0	2452	9519	0	2520	9834	0	2520	10360	0	2520
	24	4932	0	1966	5992	0	2016	6628	0	2157	7052	0	2250	8111	0	2510	9538	0	2520	9854	0	2520	10381	0	2520
1.5+1.5+1.5+2.5	16	4834	0	1909	5873	0	1961	6496	0	2044	6912	0	2100	7951	0	2350	9405	0	2381	10479	0	2446	12094	0	2567
	18	4859	0	1935	5903	0	1987	6529	0	2087	6947	0	2154	7991	0	2410	9453	0	2503	10441	0	2554	10308	0	2580
	20	4883	0	1961	5932	0	2012	6562	0	2121	6982	0	2193	8031	0	2451	9500	0	2580	9815	0	2580	10339	0	2580
	22	4908	0	1987	5962	0	2038	6595	0	2165	7017	0	2250	8071	0	2510	9519	0	2580	9834	0	2580	10360	0	2580
	24	4932	0	2012	5992	0	2064	6628	0	2208	7052	0	2304	8111	0	2570	9538	0	2580	9854	0	2580	10381	0	2580
1.5+1.5+1.5+3.5	16	4834	0	1909	5873	0	1961	6496	0	2044	6912	0	2100	7951	0	2350	9405	0	2381	10479	0	2446	12094	0	2567
	18	4859	0	1935	5903	0	1987	6529	0	2087	6947	0	2154	7991	0	2410	9453	0	2503	10441	0	2554	10308	0	2580
	20	4883	0	1961	5932	0	2012	6562	0	2121	6982	0	2193	8031	0	2451	9500	0	2580	9815	0	2580	10339	0	2580
	22	4908	0	1987	5962	0	2038	6595	0	2165	7017	0	2250	8071	0	2510	9519	0	2580	9834	0	2580	10360	0	2580
	24	4932	0	2012	5992	0	2064	6628	0	2208	7052	0	2304	8111	0	2570	9538	0	2580	9854	0	2580	10381	0	2580
1.5+1.5+1.5+5	16	4834	0	1909	5873	0	1961	6496	0	2044	6912	0	2100	7951	0	2350	9405	0	2381	10479	0	2446	12094	0	2567
	18	4859	0	1935	5903	0	1987	6529	0	2087	6947	0	2154	7991	0	2410	9453	0	2503	10441	0	2554	10308	0	2580
	20	4883	0	1961	5932	0	2012	6562	0	2121	6982	0	2193	8031	0	2451	9500	0	2580	9815	0	2580	10339	0	2580
	22	4908	0	1987	5962	0	2038	6595	0	2165	7017	0	2250	8071	0	2510	9519	0	2580	9834	0	2580	10360	0	2580
	24	4932	0	2012	5992	0	2064	6628	0	2208	7052	0	2304	8111	0	2570	9538	0	2580	9854	0	2580	10381	0	2580

	INDOOR	OUTDOOR TEMPERATURE (°CDB)																							
	EDB	-15			-10			-7			-5			0			7			10			15		
	°C	TC	SHC	PI	TC	SHC	PI	TC	SHC	PI	TC	SHC	PI	TC	SHC	PI	TC	SHC	PI	TC	SHC	PI	TC	SHC	PI
1.5+1.5+1.8+1.8	16	4834	0	1909	5873	0	1961	6496	0	2044	6912	0	2100	7951	0	2350	9405	0	2381	10479	0	2446	12094	0	2567
	18	4859	0	1935	5903	0	1987	6529	0	2087	6947	0	2154	7991	0	2410	9453	0	2503	10441	0	2554	10308	0	2580
	20	4883	0	1961	5932	0	2012	6562	0	2121	6982	0	2193	8031	0	2451	9500	0	2580	9815	0	2580	10339	0	2580
	22	4908	0	1987	5962	0	2038	6595	0	2165	7017	0	2250	8071	0	2510	9519	0	2580	9834	0	2580	10360	0	2580
	24	4932	0	2012	5992	0	2064	6628	0	2208	7052	0	2304	8111	0	2570	9538	0	2580	9854	0	2580	10381	0	2580
1.5+1.5+1.8+2.5	16	4834	0	1909	5873	0	1961	6496	0	2044	6912	0	2100	7951	0	2350	9405	0	2381	10479	0	2446	12094	0	2567
	18	4859	0	1935	5903	0	1987	6529	0	2087	6947	0	2154	7991	0	2410	9453	0	2503	10441	0	2554	10308	0	2580
	20	4883	0	1961	5932	0	2012	6562	0	2121	6982	0	2193	8031	0	2451	9500	0	2580	9815	0	2580	10339	0	2580
	22	4908	0	1987	5962	0	2038	6595	0	2165	7017	0	2250	8071	0	2510	9519	0	2580	9834	0	2580	10360	0	2580
	24	4932	0	2012	5992	0	2064	6628	0	2208	7052	0	2304	8111	0	2570	9538	0	2580	9854	0	2580	10381	0	2580
1.5+1.5+1.8+3.5	16	4834	0	1909	5873	0	1961	6496	0	2044	6912	0	2100	7951	0	2350	9405	0	2381	10479	0	2446	12094	0	2567
	18	4859	0	1935	5903	0	1987	6529	0	2087	6947	0	2154	7991	0	2410	9453	0	2503	10441	0	2554	10308	0	2580
	20	4883	0	1961	5932	0	2012	6562	0	2121	6982	0	2193	8031	0	2451	9500	0	2580	9815	0	2580	10339	0	2580
	22	4908	0	1987	5962	0	2038	6595	0	2165	7017	0	2250	8071	0	2510	9519	0	2580	9834	0	2580	10360	0	2580
	24	4932	0	2012	5992	0	2064	6628	0	2208	7052	0	2304	8111	0	2570	9538	0	2580	9854	0	2580	10381	0	2580
1.5+1.5+1.8+5	16	4834	0	1909	5873	0	1961	6496	0	2044	6912	0	2100	7951	0	2350	9405	0	2381	10479	0	2446	12094	0	2567
	18	4859	0	1935	5903	0	1987	6529	0	2087	6947	0	2154	7991	0	2410	9453	0	2503	10441	0	2554	10308	0	2580
	20	4883	0	1961	5932	0	2012	6562	0	2121	6982	0	2193	8031	0	2451	9500	0	2580	9815	0	2580	10339	0	2580
	22	4908	0	1987	5962	0	2038	6595	0	2165	7017	0	2250	8071	0	2510	9519	0	2580	9834	0	2580	10360	0	2580
	24	4932	0	2012	5992	0	2064	6628	0	2208	7052	0	2304	8111	0	2570	9538	0	2580	9854	0	2580	10381	0	2580
1.5+1.5+2.5+2.5	16	4834	0	1909	5873	0	1961	6496	0	2044	6912	0	2100	7951	0	2350	9405	0	2381	10479	0	2446	12094	0	2567
	18	4859	0	1935	5903	0	1987	6529	0	2087	6947	0	2154	7991	0	2410	9453	0	2503	10441	0	2554	10308	0	2580
	20	4883	0	1961	5932	0	2012	6562	0	2121	6982	0	2193	8031	0	2451	9500	0	2580	9815	0	2580	10339	0	2580
	22	4908	0	1987	5962	0	2038	6595	0	2165	7017	0	2250	8071	0	2510	9519	0	2580	9834	0	2580	10360	0	2580
	24	4932	0	2012	5992	0	2064	6628	0	2208	7052	0	2304	8111	0	2570	9538	0	2580	9854	0	2580	10381	0	2580
1.5+1.5+2.5+3.5	16	4834	0	1909	5873	0	1961	6496	0	2044	6912	0	2100	7951	0	2350	9405	0	2381	10479	0	2446	12094	0	2567
	18	4859	0	1935	5903	0	1987	6529	0	2087	6947	0	2154	7991	0	2410	9453	0	2503	10441	0	2554	10308	0	2580
	20	4883	0	1961	5932	0	2012	6562	0	2121	6982	0	2193	8031	0	2451	9500	0	2580	9815	0	2580	10339	0	2580
	22	4908	0	1987	5962	0	2038	6595	0	2165	7017	0	2250	8071	0	2510	9519	0	2580	9834	0	2580	10360	0	2580
	24	4932	0	2012	5992	0	2064	6628	0	2208	7052	0	2304	8111	0	2570	9538	0	2580	9854	0	2580	10381	0	2580
1.5+1.5+2.5+5	16	4834	0	1865	5873	0	1915	6496	0	1997	6912	0	2051	7951	0	2296	9405	0	2326	10479	0	2389	12094	0	2507
	18	4859	0	1890	5903	0	1940	6529	0	2039	6947	0	2104	7991	0	2354	9453	0	2444	10441	0	2495	10308	0	2520
	20	4883	0	1915	5932	0	1966	6562	0	2071	6982	0	2142	8031	0	2394	9500	0	2520	9815	0	2520	10339	0	2520
	22	4908	0	1940	5962	0	1991	6595	0	2115	7017	0	2197	8071	0	2452	9519	0	2520	9834	0	2520	10360	0	2520
	24	4932	0	1966	5992	0	2016	6628	0	2157	7052	0	2250	8111	0	2510	9538	0	2520	9854	0	2520	10381	0	2520
1.5+1.5+3.5+3.5	16	4834	0	1909	5873	0	1961	6496	0	2044	6912	0	2100	7951	0	2350	9405	0	2381	10479	0	2446	12094	0	2567
	18	4859	0	1935	5903	0	1987	6529	0	2087	6947	0	2154	7991	0	2410	9453	0	2503	10441	0	2554	10308	0	2580
	20	4883	0	1961	5932	0	2012	6562	0	2121	6982	0	2193	8031	0	2451	9500	0	2580	9815	0	2580	10339	0	2580
	22	4908	0	1987	5962	0	2038	6595	0	2165	7017	0	2250	8071	0	2510	9519	0	2580	9834	0	2580	10360	0	2580
	24	4932	0	2012	5992	0	2064	6628	0	2208	7052	0	2304	8111	0	2570	9538	0	2580	9854	0	2580	10381	0	2580

	INDOOR	OUTDOOR TEMPERATURE (°CDB)																							
	EDB	-15			-10			-7			-5			0			7			10			15		
	°C	TC	SHC	PI	TC	SHC	PI	TC	SHC	PI	TC	SHC	PI	TC	SHC	PI	TC	SHC	PI	TC	SHC	PI	TC	SHC	PI
1.5+1.5+3.5+5	16	4834	0	1865	5873	0	1915	6496	0	1997	6912	0	2051	7951	0	2296	9405	0	2326	10479	0	2389	12094	0	2507
	18	4859	0	1890	5903	0	1940	6529	0	2039	6947	0	2104	7991	0	2354	9453	0	2444	10441	0	2495	10308	0	2520
	20	4883	0	1915	5932	0	1966	6562	0	2071	6982	0	2142	8031	0	2394	9500	0	2520	9815	0	2520	10339	0	2520
	22	4908	0	1940	5962	0	1991	6595	0	2115	7017	0	2197	8071	0	2452	9519	0	2520	9834	0	2520	10360	0	2520
	24	4932	0	1966	5992	0	2016	6628	0	2157	7052	0	2250	8111	0	2510	9538	0	2520	9854	0	2520	10381	0	2520
1.5+1.8+1.8+1.8	16	4834	0	1909	5873	0	1961	6496	0	2044	6912	0	2100	7951	0	2350	9405	0	2381	10479	0	2446	12094	0	2567
	18	4859	0	1935	5903	0	1987	6529	0	2087	6947	0	2154	7991	0	2410	9453	0	2503	10441	0	2554	10308	0	2580
	20	4883	0	1961	5932	0	2012	6562	0	2121	6982	0	2193	8031	0	2451	9500	0	2580	9815	0	2580	10339	0	2580
	22	4908	0	1987	5962	0	2038	6595	0	2165	7017	0	2250	8071	0	2510	9519	0	2580	9834	0	2580	10360	0	2580
	24	4932	0	2012	5992	0	2064	6628	0	2208	7052	0	2304	8111	0	2570	9538	0	2580	9854	0	2580	10381	0	2580
1.5+1.8+1.8+2.5	16	4834	0	1909	5873	0	1961	6496	0	2044	6912	0	2100	7951	0	2350	9405	0	2381	10479	0	2446	12094	0	2567
	18	4859	0	1935	5903	0	1987	6529	0	2087	6947	0	2154	7991	0	2410	9453	0	2503	10441	0	2554	10308	0	2580
	20	4883	0	1961	5932	0	2012	6562	0	2121	6982	0	2193	8031	0	2451	9500	0	2580	9815	0	2580	10339	0	2580
	22	4908	0	1987	5962	0	2038	6595	0	2165	7017	0	2250	8071	0	2510	9519	0	2580	9834	0	2580	10360	0	2580
	24	4932	0	2012	5992	0	2064	6628	0	2208	7052	0	2304	8111	0	2570	9538	0	2580	9854	0	2580	10381	0	2580
1.5+1.8+1.8+3.5	16	4834	0	1909	5873	0	1961	6496	0	2044	6912	0	2100	7951	0	2350	9405	0	2381	10479	0	2446	12094	0	2567
	18	4859	0	1935	5903	0	1987	6529	0	2087	6947	0	2154	7991	0	2410	9453	0	2503	10441	0	2554	10308	0	2580
	20	4883	0	1961	5932	0	2012	6562	0	2121	6982	0	2193	8031	0	2451	9500	0	2580	9815	0	2580	10339	0	2580
	22	4908	0	1987	5962	0	2038	6595	0	2165	7017	0	2250	8071	0	2510	9519	0	2580	9834	0	2580	10360	0	2580
	24	4932	0	2012	5992	0	2064	6628	0	2208	7052	0	2304	8111	0	2570	9538	0	2580	9854	0	2580	10381	0	2580
1.5+1.8+1.8+5	16	4834	0	1865	5873	0	1915	6496	0	1997	6912	0	2051	7951	0	2296	9405	0	2326	10479	0	2389	12094	0	2507
	18	4859	0	1890	5903	0	1940	6529	0	2039	6947	0	2104	7991	0	2354	9453	0	2444	10441	0	2495	10308	0	2520
	20	4883	0	1915	5932	0	1966	6562	0	2071	6982	0	2142	8031	0	2394	9500	0	2520	9815	0	2520	10339	0	2520
	22	4908	0	1940	5962	0	1991	6595	0	2115	7017	0	2197	8071	0	2452	9519	0	2520	9834	0	2520	10360	0	2520
	24	4932	0	1966	5992	0	2016	6628	0	2157	7052	0	2250	8111	0	2510	9538	0	2520	9854	0	2520	10381	0	2520
1.5+1.8+2.5+2.5	16	4834	0	1909	5873	0	1961	6496	0	2044	6912	0	2100	7951	0	2350	9405	0	2381	10479	0	2446	12094	0	2567
	18	4859	0	1935	5903	0	1987	6529	0	2087	6947	0	2154	7991	0	2410	9453	0	2503	10441	0	2554	10308	0	2580
	20	4883	0	1961	5932	0	2012	6562	0	2121	6982	0	2193	8031	0	2451	9500	0	2580	9815	0	2580	10339	0	2580
	22	4908	0	1987	5962	0	2038	6595	0	2165	7017	0	2250	8071	0	2510	9519	0	2580	9834	0	2580	10360	0	2580
	24	4932	0	2012	5992	0	2064	6628	0	2208	7052	0	2304	8111	0	2570	9538	0	2580	9854	0	2580	10381	0	2580
1.5+1.8+2.5+3.5	16	4834	0	1909	5873	0	1961	6496	0	2044	6912	0	2100	7951	0	2350	9405	0	2381	10479	0	2446	12094	0	2567
	18	4859	0	1935	5903	0	1987	6529	0	2087	6947	0	2154	7991	0	2410	9453	0	2503	10441	0	2554	10308	0	2580
	20	4883	0	1961	5932	0	2012	6562	0	2121	6982	0	2193	8031	0	2451	9500	0	2580	9815	0	2580	10339	0	2580
	22	4908	0	1987	5962	0	2038	6595	0	2165	7017	0	2250	8071	0	2510	9519	0	2580	9834	0	2580	10360	0	2580
	24	4932	0	2012	5992	0	2064	6628	0	2208	7052	0	2304	8111	0	2570	9538	0	2580	9854	0	2580	10381	0	2580
1.5+1.8+2.5+5	16	4834	0	1865	5873	0	1915	6496	0	1997	6912	0	2051	7951	0	2296	9405	0	2326	10479	0	2389	12094	0	2507
	18	4859	0	1890	5903	0	1940	6529	0	2039	6947	0	2104	7991	0	2354	9453	0	2444	10441	0	2495	10308	0	2520
	20	4883	0	1915	5932	0	1966	6562	0	2071	6982	0	2142	8031	0	2394	9500	0	2520	9815	0	2520	10339	0	2520
	22	4908	0	1940	5962	0	1991	6595	0	2115	7017	0	2197	8071	0	2452	9519	0	2520	9834	0	2520	10360	0	2520
	24	4932	0	1966	5992	0	2016	6628	0	2157	7052	0	2250	8111	0	2510	9538	0	2520	9854	0	2520	10381	0	2520

	INDOOR	OUTDOOR TEMPERATURE (°CDB)																							
	EDB	-15			-10			-7			-5			0			7			10			15		
	°C	TC	SHC	PI	TC	SHC	PI	TC	SHC	PI	TC	SHC	PI	TC	SHC	PI	TC	SHC	PI	TC	SHC	PI	TC	SHC	PI
1.5+1.8+3.5+3.5	16	4834	0	1909	5873	0	1961	6496	0	2044	6912	0	2100	7951	0	2350	9405	0	2381	10479	0	2446	12094	0	2567
	18	4859	0	1935	5903	0	1987	6529	0	2087	6947	0	2154	7991	0	2410	9453	0	2503	10441	0	2554	10308	0	2580
	20	4883	0	1961	5932	0	2012	6562	0	2121	6982	0	2193	8031	0	2451	9500	0	2580	9815	0	2580	10339	0	2580
	22	4908	0	1987	5962	0	2038	6595	0	2165	7017	0	2250	8071	0	2510	9519	0	2580	9834	0	2580	10360	0	2580
	24	4932	0	2012	5992	0	2064	6628	0	2208	7052	0	2304	8111	0	2570	9538	0	2580	9854	0	2580	10381	0	2580
1.5+2.5+2.5+2.5	16	4834	0	1909	5873	0	1961	6496	0	2044	6912	0	2100	7951	0	2350	9405	0	2381	10479	0	2446	12094	0	2567
	18	4859	0	1935	5903	0	1987	6529	0	2087	6947	0	2154	7991	0	2410	9453	0	2503	10441	0	2554	10308	0	2580
	20	4883	0	1961	5932	0	2012	6562	0	2121	6982	0	2193	8031	0	2451	9500	0	2580	9815	0	2580	10339	0	2580
	22	4908	0	1987	5962	0	2038	6595	0	2165	7017	0	2250	8071	0	2510	9519	0	2580	9834	0	2580	10360	0	2580
	24	4932	0	2012	5992	0	2064	6628	0	2208	7052	0	2304	8111	0	2570	9538	0	2580	9854	0	2580	10381	0	2580
1.5+2.5+2.5+3.5	16	4834	0	1909	5873	0	1961	6496	0	2044	6912	0	2100	7951	0	2350	9405	0	2381	10479	0	2446	12094	0	2567
	18	4859	0	1935	5903	0	1987	6529	0	2087	6947	0	2154	7991	0	2410	9453	0	2503	10441	0	2554	10308	0	2580
	20	4883	0	1961	5932	0	2012	6562	0	2121	6982	0	2193	8031	0	2451	9500	0	2580	9815	0	2580	10339	0	2580
	22	4908	0	1987	5962	0	2038	6595	0	2165	7017	0	2250	8071	0	2510	9519	0	2580	9834	0	2580	10360	0	2580
	24	4932	0	2012	5992	0	2064	6628	0	2208	7052	0	2304	8111	0	2570	9538	0	2580	9854	0	2580	10381	0	2580
1.5+2.5+3.5+3.5	16	4834	0	1865	5873	0	1915	6496	0	1997	6912	0	2051	7951	0	2296	9405	0	2326	10479	0	2389	12094	0	2507
	18	4859	0	1890	5903	0	1940	6529	0	2039	6947	0	2104	7991	0	2354	9453	0	2444	10441	0	2495	10308	0	2520
	20	4883	0	1915	5932	0	1966	6562	0	2071	6982	0	2142	8031	0	2394	9500	0	2520	9815	0	2520	10339	0	2520
	22	4908	0	1940	5962	0	1991	6595	0	2115	7017	0	2197	8071	0	2452	9519	0	2520	9834	0	2520	10360	0	2520
	24	4932	0	1966	5992	0	2016	6628	0	2157	7052	0	2250	8111	0	2510	9538	0	2520	9854	0	2520	10381	0	2520
1.8+1.8+1.8+1.8	16	4834	0	1909	5873	0	1961	6496	0	2044	6912	0	2100	7951	0	2350	9405	0	2381	10479	0	2446	12094	0	2567
	18	4859	0	1935	5903	0	1987	6529	0	2087	6947	0	2154	7991	0	2410	9453	0	2503	10441	0	2554	10308	0	2580
	20	4883	0	1961	5932	0	2012	6562	0	2121	6982	0	2193	8031	0	2451	9500	0	2580	9815	0	2580	10339	0	2580
	22	4908	0	1987	5962	0	2038	6595	0	2165	7017	0	2250	8071	0	2510	9519	0	2580	9834	0	2580	10360	0	2580
	24	4932	0	2012	5992	0	2064	6628	0	2208	7052	0	2304	8111	0	2570	9538	0	2580	9854	0	2580	10381	0	2580
1.8+1.8+1.8+2.5	16	4834	0	1909	5873	0	1961	6496	0	2044	6912	0	2100	7951	0	2350	9405	0	2381	10479	0	2446	12094	0	2567
	18	4859	0	1935	5903	0	1987	6529	0	2087	6947	0	2154	7991	0	2410	9453	0	2503	10441	0	2554	10308	0	2580
	20	4883	0	1961	5932	0	2012	6562	0	2121	6982	0	2193	8031	0	2451	9500	0	2580	9815	0	2580	10339	0	2580
	22	4908	0	1987	5962	0	2038	6595	0	2165	7017	0	2250	8071	0	2510	9519	0	2580	9834	0	2580	10360	0	2580
	24	4932	0	2012	5992	0	2064	6628	0	2208	7052	0	2304	8111	0	2570	9538	0	2580	9854	0	2580	10381	0	2580
1.8+1.8+1.8+3.5	16	4834	0	1865	5873	0	1915	6496	0	1997	6912	0	2051	7951	0	2296	9405	0	2326	10479	0	2389	12094	0	2507
	18	4859	0	1890	5903	0	1940	6529	0	2039	6947	0	2104	7991	0	2354	9453	0	2444	10441	0	2495	10308	0	2520
	20	4883	0	1915	5932	0	1966	6562	0	2071	6982	0	2142	8031	0	2394	9500	0	2520	9815	0	2520	10339	0	2520
	22	4908	0	1940	5962	0	1991	6595	0	2115	7017	0	2197	8071	0	2452	9519	0	2520	9834	0	2520	10360	0	2520
	24	4932	0	1966	5992	0	2016	6628	0	2157	7052	0	2250	8111	0	2510	9538	0	2520	9854	0	2520	10381	0	2520
1.8+1.8+1.8+5.0	16	4834	0	1865	5873	0	1915	6496	0	1997	6912	0	2051	7951	0	2296	9405	0	2326	10479	0	2389	12094	0	2507
	18	4859	0	1890	5903	0	1940	6529	0	2039	6947	0	2104	7991	0	2354	9453	0	2444	10441	0	2495	10308	0	2520
	20	4883	0	1915	5932	0	1966	6562	0	2071	6982	0	2142	8031	0	2394	9500	0	2520	9815	0	2520	10339	0	2520
	22	4908	0	1940	5962	0	1991	6595	0	2115	7017	0	2197	8071	0	2452	9519	0	2520	9834	0	2520	10360	0	2520
	24	4932	0	1966	5992	0	2016	6628	0	2157	7052	0	2250	8111	0	2510	9538	0	2520	9854	0	2520	10381	0	2520



	INDOOR	OUTDOOR TEMPERATURE (°CDB)																							
	EDB	-15			-10			-7			-5			0			7			10			15		
	°C	TC	SHC	PI	TC	SHC	PI	TC	SHC	PI	TC	SHC	PI	TC	SHC	PI	TC	SHC	PI	TC	SHC	PI	TC	SHC	PI
1.8+1.8+2.5+2.5	16	4834	0	1865	5873	0	1915	6496	0	1997	6912	0	2051	7951	0	2296	9405	0	2326	10479	0	2389	12094	0	2507
	18	4859	0	1890	5903	0	1940	6529	0	2039	6947	0	2104	7991	0	2354	9453	0	2444	10441	0	2495	10308	0	2520
	20	4883	0	1915	5932	0	1966	6562	0	2071	6982	0	2142	8031	0	2394	9500	0	2520	9815	0	2520	10339	0	2520
	22	4908	0	1940	5962	0	1991	6595	0	2115	7017	0	2197	8071	0	2452	9519	0	2520	9834	0	2520	10360	0	2520
	24	4932	0	1966	5992	0	2016	6628	0	2157	7052	0	2250	8111	0	2510	9538	0	2520	9854	0	2520	10381	0	2520
1.8+1.8+2.5+3.5	16	4834	0	1865	5873	0	1915	6496	0	1997	6912	0	2051	7951	0	2296	9405	0	2326	10479	0	2389	12094	0	2507
	18	4859	0	1890	5903	0	1940	6529	0	2039	6947	0	2104	7991	0	2354	9453	0	2444	10441	0	2495	10308	0	2520
	20	4883	0	1915	5932	0	1966	6562	0	2071	6982	0	2142	8031	0	2394	9500	0	2520	9815	0	2520	10339	0	2520
	22	4908	0	1940	5962	0	1991	6595	0	2115	7017	0	2197	8071	0	2452	9519	0	2520	9834	0	2520	10360	0	2520
	24	4932	0	1966	5992	0	2016	6628	0	2157	7052	0	2250	8111	0	2510	9538	0	2520	9854	0	2520	10381	0	2520
1.8+1.8+3.5+3.5	16	4834	0	1865	5873	0	1915	6496	0	1997	6912	0	2051	7951	0	2296	9405	0	2326	10479	0	2389	12094	0	2507
	18	4859	0	1890	5903	0	1940	6529	0	2039	6947	0	2104	7991	0	2354	9453	0	2444	10441	0	2495	10308	0	2520
	20	4883	0	1915	5932	0	1966	6562	0	2071	6982	0	2142	8031	0	2394	9500	0	2520	9815	0	2520	10339	0	2520
	22	4908	0	1940	5962	0	1991	6595	0	2115	7017	0	2197	8071	0	2452	9519	0	2520	9834	0	2520	10360	0	2520
	24	4932	0	1966	5992	0	2016	6628	0	2157	7052	0	2250	8111	0	2510	9538	0	2520	9854	0	2520	10381	0	2520
1.8+2.5+2.5+2.5	16	4834	0	1865	5873	0	1915	6496	0	1997	6912	0	2051	7951	0	2296	9405	0	2326	10479	0	2389	12094	0	2507
	18	4859	0	1890	5903	0	1940	6529	0	2039	6947	0	2104	7991	0	2354	9453	0	2444	10441	0	2495	10308	0	2520
	20	4883	0	1915	5932	0	1966	6562	0	2071	6982	0	2142	8031	0	2394	9500	0	2520	9815	0	2520	10339	0	2520
	22	4908	0	1940	5962	0	1991	6595	0	2115	7017	0	2197	8071	0	2452	9519	0	2520	9834	0	2520	10360	0	2520
	24	4932	0	1966	5992	0	2016	6628	0	2157	7052	0	2250	8111	0	2510	9538	0	2520	9854	0	2520	10381	0	2520
1.8+2.5+2.5+3.5	16	4834	0	1865	5873	0	1915	6496	0	1997	6912	0	2051	7951	0	2296	9405	0	2326	10479	0	2389	12094	0	2507
	18	4859	0	1890	5903	0	1940	6529	0	2039	6947	0	2104	7991	0	2354	9453	0	2444	10441	0	2495	10308	0	2520
	20	4883	0	1915	5932	0	1966	6562	0	2071	6982	0	2142	8031	0	2394	9500	0	2520	9815	0	2520	10339	0	2520
	22	4908	0	1940	5962	0	1991	6595	0	2115	7017	0	2197	8071	0	2452	9519	0	2520	9834	0	2520	10360	0	2520
	24	4932	0	1966	5992	0	2016	6628	0	2157	7052	0	2250	8111	0	2510	9538	0	2520	9854	0	2520	10381	0	2520
2.5+2.5+2.5+2.5	16	4834	0	1865	5873	0	1915	6496	0	1997	6912	0	2051	7951	0	2296	9405	0	2326	10479	0	2389	12094	0	2507
	18	4859	0	1890	5903	0	1940	6529	0	2039	6947	0	2104	7991	0	2354	9453	0	2444	10441	0	2495	10308	0	2520
	20	4883	0	1915	5932	0	1966	6562	0	2071	6982	0	2142	8031	0	2394	9500	0	2520	9815	0	2520	10339	0	2520
	22	4908	0	1940	5962	0	1991	6595	0	2115	7017	0	2197	8071	0	2452	9519	0	2520	9834	0	2520	10360	0	2520
	24	4932	0	1966	5992	0	2016	6628	0	2157	7052	0	2250	8111	0	2510	9538	0	2520	9854	0	2520	10381	0	2520
2.5+2.5+2.5+3.5	16	4834	0	1865	5873	0	1915	6496	0	1997	6912	0	2051	7951	0	2296	9405	0	2326	10479	0	2389	12094	0	2507
	18	4859	0	1890	5903	0	1940	6529	0	2039	6947	0	2104	7991	0	2354	9453	0	2444	10441	0	2495	10308	0	2520
	20	4883	0	1915	5932	0	1966	6562	0	2071	6982	0	2142	8031	0	2394	9500	0	2520	9815	0	2520	10339	0	2520
	22	4908	0	1940	5962	0	1991	6595	0	2115	7017	0	2197	8071	0	2452	9519	0	2520	9834	0	2520	10360	0	2520
	24	4932	0	1966	5992	0	2016	6628	0	2157	7052	0	2250	8111	0	2510	9538	0	2520	9854	0	2520	10381	0	2520

3.2.7. RAM-90NP5B

COOLING [50Hz, 230V]

	INDOOR		OUTDOOR TEMPERATURE (°CDB)																				
	EWB	EDB	-10			21			27			32			35			40			43		
			°C	°C	TC	SHC	PI	TC	SHC	PI	TC	SHC	PI	TC	SHC	PI	TC	SHC	PI	TC	SHC	PI	
RAM-90NP5B	12	18	6532	4648	1229	7398	6197	1459	6847	5720	1720	6970	5856	2052	6715	5599	2141	6290	5277	2297	6035	5020	2386
	14	20	6532	4648	1229	7949	6197	1459	7398	5780	1740	7480	5856	2074	7225	5663	2163	6715	5277	2319	6460	5084	2431
	16	22	6532	4946	1248	8500	6197	1479	7870	5780	1760	7990	5856	2096	7735	5663	2208	7225	5277	2364	6970	5084	2453
	18	25	7005	5303	1267	9051	6733	1498	8343	6257	1781	8500	6371	2119	8160	6114	2208	7650	5728	2386	7310	5470	2475
	19	27	7241	5482	1287	9366	7091	1517	8657	6555	1801	8840	6693	2141	8500	6435	2230	7990	6049	2386	7650	5792	2475
	22	30	8028	5422	1287	10389	7031	1517	9602	6495	1801	9775	6629	2163	9435	6371	2252	8500	6178	2475	7905	6049	2609
	24	32	8579	5422	1306	11097	7031	1536	10231	6495	1821	10455	6629	2163	10030	6371	2275	8840	6307	2542	8075	6242	2698
1.5	12	18	1153	820	231	1306	1094	275	1208	1009	324	1230	1033	386	1185	988	403	1110	931	433	1065	886	449
	14	20	1153	820	231	1403	1094	275	1306	1020	328	1320	1033	391	1275	999	407	1185	931	437	1140	897	458
	16	22	1153	873	235	1500	1094	278	1389	1020	332	1410	1033	395	1365	999	416	1275	931	445	1230	897	462
	18	25	1236	936	239	1597	1188	282	1472	1104	335	1500	1124	399	1440	1079	416	1350	1011	449	1290	965	466
	19	27	1278	967	242	1653	1251	286	1528	1157	339	1560	1181	403	1500	1136	420	1410	1068	449	1350	1022	466
	22	30	1417	957	242	1833	1241	286	1694	1146	339	1725	1170	407	1665	1124	424	1500	1090	466	1395	1068	491
	24	32	1514	957	246	1958	1241	289	1806	1146	343	1845	1170	407	1770	1124	428	1560	1113	479	1425	1102	508
1.8	12	18	1383	984	276	1567	1312	327	1450	1211	386	1476	1240	460	1422	1186	480	1332	1118	515	1278	1063	535
	14	20	1383	984	276	1683	1312	327	1567	1224	390	1584	1240	465	1530	1199	485	1422	1118	520	1368	1077	545
	16	22	1383	1047	280	1800	1312	332	1667	1224	395	1692	1240	470	1638	1199	495	1530	1118	530	1476	1077	550
	18	25	1483	1123	284	1917	1426	336	1767	1325	399	1800	1349	475	1728	1295	495	1620	1213	535	1548	1158	555
	19	27	1533	1161	288	1983	1502	340	1833	1388	404	1872	1417	480	1800	1363	500	1692	1281	535	1620	1227	555
	22	30	1700	1148	288	2200	1489	340	2033	1375	404	2070	1404	485	1998	1349	505	1800	1308	555	1674	1281	585
	24	32	1817	1148	293	2350	1489	344	2167	1375	408	2214	1404	485	2124	1349	510	1872	1336	570	1710	1322	605
2.5	12	18	1921	1367	386	2176	1823	458	2014	1682	540	2050	1722	644	1975	1647	672	1850	1552	721	1775	1476	749
	14	20	1921	1367	386	2338	1823	458	2176	1700	546	2200	1722	651	2125	1666	679	1975	1552	728	1900	1495	763
	16	22	1921	1455	392	2500	1823	464	2315	1700	553	2350	1722	658	2275	1666	693	2125	1552	742	2050	1495	770
	18	25	2060	1560	398	2662	1980	470	2454	1840	559	2500	1874	665	2400	1798	693	2250	1685	749	2150	1609	777
	19	27	2130	1612	404	2755	2086	476	2546	1928	565	2600	1968	672	2500	1893	700	2350	1779	749	2250	1704	777
	22	30	2361	1595	404	3056	2068	476	2824	1910	565	2875	1950	679	2775	1874	707	2500	1817	777	2325	1779	819
	24	32	2523	1595	410	3264	2068	482	3009	1910	572	3075	1950	679	2950	1874	714	2600	1855	798	2375	1836	847
3.5	12	18	2690	1914	573	3046	2552	681	2819	2355	802	2870	2411	957	2765	2305	998	2590	2173	1071	2485	2067	1113
	14	20	2690	1914	573	3273	2552	681	3046	2380	812	3080	2411	967	2975	2332	1009	2765	2173	1082	2660	2093	1134
	16	22	2690	2036	582	3500	2552	690	3241	2380	821	3290	2411	978	3185	2332	1030	2975	2173	1102	2870	2093	1144
	18	25	2884	2184	591	3727	2773	699	3435	2576	830	3500	2623	988	3360	2517	1030	3150	2358	1113	3010	2252	1154
	19	27	2981	2257	600	3856	2920	707	3565	2699	840	3640	2756	998	3500	2650	1040	3290	2491	1113	3150	2385	1154
	22	30	3306	2233	600	4278	2895	707	3954	2674	840	4025	2729	1009	3885	2623	1050	3500	2544	1154	3255	2491	1217
	24	32	3532	2233	609	4569	2895	716	4213	2674	849	4305	2729	1009	4130	2623	1061	3640	2597	1186	3325	2570	1258
5.0	12	18	3843	2734	849	4352	3645	1008	4028	3365	1188	4100	3445	1417	3950	3293	1478	3700	3104	1586	3550	2953	1648
	14	20	3843	2734	849	4676	3645	1008	4352	3400	1202	4400	3445	1432	4250	3331	1494	3950	3104	1602	3800	2991	1679
	16	22	3843	2909	862	5000	3645	1021	4630	3400	1216	4700	3445	1448	4550	3331	1525	4250	3104	1632	4100	2991	1694
	18	25	4120	3120	875	5324	3961	1034	4907	3680	1230	5000	3748	1463	4800	3596	1525	4500	3369	1648	4300	3218	1709
	19	27	4259	3225	888	5509	4171	1048	5093	3856	1244	5200	3937	1478	5000	3786	1540	4700	3558	1648	4500	3407	1709
	22	30	4722	3190	888	6111	4136	1048	5648	3821	1244	5750	3899	1494	5550	3748	1555	5000	3634	1709	4650	3558	1802
	24	32	5046	3190	902	6528	4136	1061	6019	3821	1258	6150	3899	1494	5900	3748	1571	5200	3710	1756	4750	3672	1863

EWB : Evaporator Wet Bulb temperature (°C)

TC : Total Capacity (W)

EDB : Evaporator Dry Bulb temperature (°C)

SHC : Sensible Heating Capacity (w)

(°CDB) : Outdoor Unit Inlet Air Dry Temperature (°C)

PI : Power Input

		INDOOR		OUTDOOR TEMPERATURE (°CDB)																				
		EWB	EDB	-10			21			27			32			35			40			43		
		°C	°C	TC	SHC	PI	TC	SHC	PI	TC	SHC	PI	TC	SHC	PI	TC	SHC	PI	TC	SHC	PI	TC	SHC	PI
1.5+1.5	12	18	2306	1640	468	2611	2187	556	2417	2019	656	2460	2067	782	2370	1976	816	2220	1863	876	2130	1772	910	
	14	20	2306	1640	468	2806	2187	556	2611	2040	663	2640	2067	791	2550	1999	825	2370	1863	884	2280	1794	927	
	16	22	2306	1746	476	3000	2187	564	2778	2040	671	2820	2067	799	2730	1999	842	2550	1863	901	2460	1794	935	
	18	25	2472	1872	483	3194	2376	571	2944	2208	679	3000	2249	808	2880	2158	842	2700	2021	910	2580	1931	944	
	19	27	2556	1935	490	3306	2503	578	3056	2313	686	3120	2362	816	3000	2271	850	2820	2135	910	2700	2044	944	
	22	30	2833	1914	490	3667	2482	578	3389	2292	686	3450	2339	825	3330	2249	859	3000	2180	944	2790	2135	995	
	24	32	3028	1914	498	3917	2482	586	3611	2292	694	3690	2339	825	3540	2249	867	3120	2226	969	2850	2203	1029	
1.5+1.8	12	18	2536	1804	524	2872	2406	622	2658	2221	733	2706	2274	874	2607	2174	912	2442	2049	979	2343	1949	1017	
	14	20	2536	1804	524	3086	2406	622	2872	2244	741	2904	2274	884	2805	2199	922	2607	2049	988	2508	1974	1036	
	16	22	2536	1920	532	3300	2406	630	3056	2244	750	3102	2274	893	3003	2199	941	2805	2049	1007	2706	1974	1045	
	18	25	2719	2059	540	3514	2614	638	3239	2429	759	3300	2473	903	3168	2374	941	2970	2224	1017	2838	2124	1055	
	19	27	2811	2128	548	3636	2753	646	3361	2545	767	3432	2598	912	3300	2498	950	3102	2349	1017	2970	2249	1055	
	22	30	3117	2105	548	4033	2730	646	3728	2522	767	3795	2573	922	3663	2473	960	3300	2399	1055	3069	2349	1112	
	24	32	3331	2105	556	4308	2730	654	3972	2522	776	4059	2573	922	3894	2473	969	3432	2449	1083	3135	2424	1150	
1.5+2.5	12	18	3074	2187	689	3481	2916	818	3222	2692	964	3280	2756	1150	3160	2635	1200	2960	2483	1288	2840	2362	1338	
	14	20	3074	2187	689	3741	2916	818	3481	2720	975	3520	2756	1163	3400	2665	1213	3160	2483	1300	3040	2392	1363	
	16	22	3074	2327	700	4000	2916	829	3704	2720	987	3760	2756	1175	3640	2665	1238	3400	2483	1325	3280	2392	1375	
	18	25	3296	2496	710	4259	3169	840	3926	2944	998	4000	2998	1188	3840	2877	1238	3600	2695	1338	3440	2574	1388	
	19	27	3407	2580	721	4407	3337	850	4074	3085	1009	4160	3150	1200	4000	3028	1250	3760	2847	1338	3600	2726	1388	
	22	30	3778	2552	721	4889	3309	850	4519	3056	1009	4600	3119	1213	4440	2998	1263	4000	2907	1388	3720	2847	1463	
	24	32	4037	2552	732	5222	3309	861	4815	3056	1021	4920	3119	1213	4720	2998	1275	4160	2968	1425	3800	2938	1513	
1.5+3.5	12	18	3843	2734	854	4352	3645	1014	4028	3365	1196	4100	3445	1426	3950	3293	1488	3700	3104	1597	3550	2953	1659	
	14	20	3843	2734	854	4676	3645	1014	4352	3400	1210	4400	3445	1442	4250	3331	1504	3950	3104	1612	3800	2991	1690	
	16	22	3843	2909	868	5000	3645	1028	4630	3400	1224	4700	3445	1457	4550	3331	1535	4250	3104	1643	4100	2991	1705	
	18	25	4120	3120	881	5324	3961	1041	4907	3680	1238	5000	3748	1473	4800	3596	1535	4500	3369	1659	4300	3218	1721	
	19	27	4259	3225	894	5509	4171	1054	5093	3856	1252	5200	3937	1488	5000	3786	1550	4700	3558	1659	4500	3407	1721	
	22	30	4722	3190	894	6111	4136	1054	5648	3821	1252	5750	3899	1504	5550	3748	1566	5000	3634	1721	4650	3558	1814	
	24	32	5046	3190	908	6528	4136	1068	6019	3821	1266	6150	3899	1504	5900	3748	1581	5200	3710	1767	4750	3672	1876	
1.5+5.0	12	18	4995	3554	1157	5657	4739	1374	5236	4374	1620	5330	4478	1932	5135	4281	2016	4810	4035	2163	4615	3839	2247	
	14	20	4995	3554	1157	6079	4739	1374	5657	4420	1639	5720	4478	1953	5525	4331	2037	5135	4035	2184	4940	3888	2289	
	16	22	4995	3782	1175	6500	4739	1392	6019	4420	1658	6110	4478	1974	5915	4331	2079	5525	4035	2226	5330	3888	2310	
	18	25	5356	4055	1194	6921	5149	1411	6380	4785	1677	6500	4872	1995	6240	4675	2079	5850	4380	2247	5590	4183	2331	
	19	27	5537	4192	1212	7162	5422	1429	6620	5012	1696	6760	5118	2016	6500	4921	2100	6110	4626	2247	5850	4429	2331	
	22	30	6139	4147	1212	7944	5377	1429	7343	4967	1696	7475	5069	2037	7215	4872	2121	6500	4724	2331	6045	4626	2457	
	24	32	6560	4147	1230	8486	5377	1447	7824	4967	1715	7995	5069	2037	7670	4872	2142	6760	4823	2394	6175	4774	2541	
1.8+1.8	12	18	2767	1968	452	3133	2625	537	2900	2423	632	2952	2480	754	2844	2371	787	2664	2235	845	2556	2126	877	
	14	20	2767	1968	452	3367	2625	537	3133	2448	640	3168	2480	763	3060	2399	795	2844	2235	853	2736	2153	894	
	16	22	2767	2095	459	3600	2625	544	3333	2448	647	3384	2480	771	3276	2399	812	3060	2235	869	2952	2153	902	
	18	25	2967	2246	466	3833	2852	551	3533	2650	655	3600	2698	779	3456	2589	812	3240	2426	877	3096	2317	910	
	19	27	3067	2322	473	3967	3003	558	3667	2776	662	3744	2835	787	3600	2726	820	3384	2562	877	3240	2453	910	
	22	30	3400	2297	473	4400	2978	558	4067	2751	662	4140	2807	795	3996	2698	828	3600	2617	910	3348	2562	959	
	24	32	3633	2297	480	4700	2978	565	4333	2751	670	4428	2807	795	4248	2698	836	3744	2671	935	3420	2644	992	
1.8+2.5	12	18	3305	2351	551	3743	3135	654	3464	2894	771	3526	2963	920	3397	2832	960	3182	2670	1030	3053	2539	1070	
	14	20	3305	2351	551	4021	3135	654	3743	2924	780	3784	2963	930	3655	2865	970	3397	2670	1040	3268	2572	1090	
	16	22	3305	2502	560	4300	3135	663	3981	2924	789	4042	2963	940	3913	2865	990	3655	2670	1060	3526	2572	1100	
	18	25	3544	2683	568	4579	3406	672	4220	3165	799	4300	3223	950	4128	3093	990	3870	2897	1070	3698	2767	1110	
	19	27	3663	2773	577	4738	3587	680	4380	3316	808	4472	3386	960	4300	3256	1000	4042	3060	1070	3870	2930	1110	
	22	30	4061	2743	577	5256	3557	680	4857	3286	808	4945	3353	970	4773	3223	1010	4300	3125	1110	3999	3060	1170	
	24	32	4340	2743	586	5614	3557	689	5176	3286	817	5289	3353	970	5074	3223	1020	4472	3190	1140	4085	3158	1210	

	INDOOR		OUTDOOR TEMPERATURE (°CDB)																				
	EWB	EDB	-10			21			27			32			35			40			43		
	°C	°C	TC	SHC	PI	TC	SHC	PI	TC	SHC	PI	TC	SHC	PI	TC	SHC	PI	TC	SHC	PI	TC	SHC	PI
1.8+3.5	12	18	4073	2898	876	4613	3864	1041	4269	3567	1226	4346	3652	1463	4187	3491	1526	3922	3290	1638	3763	3130	1701
	14	20	4073	2898	876	4956	3864	1041	4613	3604	1241	4664	3652	1479	4505	3531	1542	4187	3290	1654	4028	3170	1733
	16	22	4073	3084	890	5300	3864	1054	4907	3604	1255	4982	3652	1495	4823	3531	1574	4505	3290	1685	4346	3170	1749
	18	25	4368	3307	904	5644	4198	1068	5202	3901	1270	5300	3973	1511	5088	3812	1574	4770	3571	1701	4558	3411	1765
	19	27	4515	3418	917	5840	4421	1082	5398	4087	1284	5512	4173	1526	5300	4013	1590	4982	3772	1701	4770	3611	1765
	22	30	5006	3381	917	6478	4384	1082	5987	4050	1284	6095	4133	1542	5883	3973	1606	5300	3852	1765	4929	3772	1860
	24	32	5349	3381	931	6919	4384	1095	6380	4050	1299	6519	4133	1542	6254	3973	1622	5512	3932	1813	5035	3892	1924
1.8+5.0	12	18	5226	3718	1306	5919	4958	1551	5478	4576	1828	5576	4685	2180	5372	4479	2275	5032	4222	2441	4828	4016	2536
	14	20	5226	3718	1306	6359	4958	1551	5919	4624	1849	5984	4685	2204	5780	4531	2299	5372	4222	2465	5168	4067	2583
	16	22	5226	3957	1327	6800	4958	1571	6296	4624	1871	6392	4685	2228	6188	4531	2346	5780	4222	2512	5576	4067	2607
	18	25	5604	4243	1347	7241	5387	1592	6674	5005	1892	6800	5097	2252	6528	4891	2346	6120	4582	2536	5848	4376	2631
	19	27	5793	4386	1367	7493	5673	1612	6926	5244	1914	7072	5354	2275	6800	5148	2370	6392	4839	2536	6120	4634	2631
	22	30	6422	4338	1367	8311	5625	1612	7681	5196	1914	7820	5303	2299	7548	5097	2394	6800	4942	2631	6324	4839	2773
	24	32	6863	4338	1388	8878	5625	1633	8185	5196	1936	8364	5303	2299	8024	5097	2417	7072	5045	2702	6460	4994	2868
2.5+2.5	12	18	3843	2734	755	4352	3645	897	4028	3365	1057	4100	3445	1260	3950	3293	1315	3700	3104	1411	3550	2953	1466
	14	20	3843	2734	755	4676	3645	897	4352	3400	1069	4400	3445	1274	4250	3331	1329	3950	3104	1425	3800	2991	1493
	16	22	3843	2909	767	5000	3645	908	4630	3400	1082	4700	3445	1288	4550	3331	1356	4250	3104	1452	4100	2991	1507
	18	25	4120	3120	779	5324	3961	920	4907	3680	1094	5000	3748	1302	4800	3596	1356	4500	3369	1466	4300	3218	1521
	19	27	4259	3225	790	5509	4171	932	5093	3856	1106	5200	3937	1315	5000	3786	1370	4700	3558	1466	4500	3407	1521
	22	30	4722	3190	790	6111	4136	932	5648	3821	1106	5750	3899	1329	5550	3748	1384	5000	3634	1521	4650	3558	1603
	24	32	5046	3190	802	6528	4136	944	6019	3821	1119	6150	3899	1329	5900	3748	1397	5200	3710	1562	4750	3672	1658
2.5+3.5	12	18	4611	3281	1102	5222	4374	1309	4833	4038	1543	4920	4134	1840	4740	3952	1920	4440	3725	2060	4260	3543	2140
	14	20	4611	3281	1102	5611	4374	1309	5222	4080	1561	5280	4134	1860	5100	3998	1940	4740	3725	2080	4560	3589	2180
	16	22	4611	3491	1119	6000	4374	1326	5556	4080	1579	5640	4134	1880	5460	3998	1980	5100	3725	2120	4920	3589	2200
	18	25	4944	3744	1137	6389	4753	1343	5889	4417	1597	6000	4497	1900	5760	4316	1980	5400	4043	2140	5160	3861	2220
	19	27	5111	3870	1154	6611	5005	1361	6111	4627	1615	6240	4724	1920	6000	4543	2000	5640	4270	2140	5400	4088	2220
	22	30	5667	3828	1154	7333	4963	1361	6778	4585	1615	6900	4679	1940	6660	4497	2020	6000	4361	2220	5580	4270	2340
	24	32	6056	3828	1171	7833	4963	1378	7222	4585	1633	7380	4679	1940	7080	4497	2040	6240	4452	2280	5700	4406	2420
2.5+5.0	12	18	5764	4101	1422	6528	5468	1688	6042	5047	1990	6150	5167	2374	5925	4940	2477	5550	4656	2657	5325	4429	2761
	14	20	5764	4101	1422	7014	5468	1688	6528	5100	2013	6600	5167	2399	6375	4997	2503	5925	4656	2683	5700	4486	2812
	16	22	5764	4364	1444	7500	5468	1711	6944	5100	2037	7050	5167	2425	6825	4997	2554	6375	4656	2735	6150	4486	2838
	18	25	6181	4679	1466	7986	5941	1733	7361	5521	2060	7500	5622	2451	7200	5394	2554	6750	5054	2761	6450	4827	2864
	19	27	6389	4837	1489	8264	6257	1755	7639	5784	2084	7800	5905	2477	7500	5678	2580	7050	5338	2761	6750	5111	2864
	22	30	7083	4785	1489	9167	6204	1755	8472	5731	2084	8625	5849	2503	8325	5622	2606	7500	5451	2864	6975	5338	3019
	24	32	7569	4785	1511	9792	6204	1777	9028	5731	2107	9225	5849	2503	8850	5622	2632	7800	5565	2941	7125	5508	3122
3.5+3.5	12	18	5380	3828	1372	6093	5104	1630	5639	4711	1921	5740	4823	2291	5530	4611	2390	5180	4346	2565	4970	4134	2664
	14	20	5380	3828	1372	6546	5104	1630	6093	4760	1943	6160	4823	2316	5950	4664	2415	5530	4346	2590	5320	4187	2714
	16	22	5380	4073	1394	7000	5104	1651	6481	4760	1966	6580	4823	2341	6370	4664	2465	5950	4346	2639	5740	4187	2739
	18	25	5769	4367	1415	7454	5545	1672	6870	5153	1988	7000	5247	2366	6720	5035	2465	6300	4717	2664	6020	4505	2764
	19	27	5963	4515	1437	7713	5840	1694	7130	5398	2011	7280	5512	2390	7000	5300	2490	6580	4982	2664	6300	4770	2764
	22	30	6611	4466	1437	8556	5791	1694	7907	5349	2011	8050	5459	2415	7770	5247	2515	7000	5088	2764	6510	4982	2913
	24	32	7065	4466	1458	9139	5791	1715	8426	5349	2034	8610	5459	2415	8260	5247	2540	7280	5194	2839	6650	5141	3013
3.5+5.0	12	18	6532	4648	1598	7398	6197	1898	6847	5720	2237	6970	5856	2668	6715	5599	2784	6290	5277	2987	6035	5020	3103
	14	20	6532	4648	1598	7949	6197	1898	7398	5780	2263	7480	5856	2697	7225	5663	2813	6715	5277	3016	6460	5084	3161
	16	22	6532	4946	1623	8500	6197	1923	7870	5780	2289	7990	5856	2726	7735	5663	2871	7225	5277	3074	6970	5084	3190
	18	25	7005	5303	1648	9051	6733	1948	8343	6257	2316	8500	6371	2755	8160	6114	2871	7650	5728	3103	7310	5470	3219
	19	27	7241	5482	1673	9366	7091	1973	8657	6555	2342	8840	6693	2784	8500	6435	2900	7990	6049	3103	7650	5792	3219
	22	30	8028	5422	1673	10389	7031	1973	9602	6495	2342	9775	6629	2813	9435	6371	2929	8500	6178	3219	7905	6049	3393
	24	32	8579	5422	1698	11097	7031	1998	10231	6495	2368	10455	6629	2813	10030	6371	2958	8840	6307	3306	8075	6242	3509

	INDOOR		OUTDOOR TEMPERATURE (°CDB)																				
	EWB	EDB	-10			21			27			32			35			40			43		
	°C	°C	TC	SHC	PI	TC	SHC	PI	TC	SHC	PI	TC	SHC	PI	TC	SHC	PI	TC	SHC	PI	TC	SHC	PI
5.0+5.0	12	18	6532	4648	1615	7398	6197	1918	6847	5720	2260	6970	5856	2696	6715	5599	2813	6290	5277	3018	6035	5020	3135
	14	20	6532	4648	1615	7949	6197	1918	7398	5780	2286	7480	5856	2725	7225	5663	2842	6715	5277	3047	6460	5084	3194
	16	22	6532	4946	1640	8500	6197	1943	7870	5780	2313	7990	5856	2754	7735	5663	2901	7225	5277	3106	6970	5084	3223
	18	25	7005	5303	1665	9051	6733	1968	8343	6257	2340	8500	6371	2784	8160	6114	2901	7650	5728	3135	7310	5470	3252
	19	27	7241	5482	1690	9366	7091	1993	8657	6555	2366	8840	6693	2813	8500	6435	2930	7990	6049	3135	7650	5792	3252
	22	30	8028	5422	1690	10389	7031	1993	9602	6495	2366	9775	6629	2842	9435	6371	2959	8500	6178	3252	7905	6049	3428
	24	32	8579	5422	1716	11097	7031	2018	10231	6495	2393	10455	6629	2842	10030	6371	2989	8840	6307	3340	8075	6242	3545
1.5+1.5+1.5	12	18	3458	2461	689	3917	3281	818	3625	3028	964	3690	3100	1150	3555	2964	1200	3330	2794	1288	3195	2657	1338
	14	20	3458	2461	689	4208	3281	818	3917	3060	975	3960	3100	1163	3825	2998	1213	3555	2794	1300	3420	2692	1363
	16	22	3458	2618	700	4500	3281	829	4167	3060	987	4230	3100	1175	4095	2998	1238	3825	2794	1325	3690	2692	1375
	18	25	3708	2808	710	4792	3565	840	4417	3312	998	4500	3373	1188	4320	3237	1238	4050	3032	1338	3870	2896	1388
	19	27	3833	2902	721	4958	3754	850	4583	3470	1009	4680	3543	1200	4500	3407	1250	4230	3203	1338	4050	3066	1388
	22	30	4250	2871	721	5500	3722	850	5083	3439	1009	5175	3509	1213	4995	3373	1263	4500	3271	1388	4185	3203	1463
	24	32	4542	2871	732	5875	3722	861	5417	3439	1021	5535	3509	1213	5310	3373	1275	4680	3339	1425	4275	3305	1513
1.5+1.5+1.8	12	18	3689	2625	744	4178	3500	884	3867	3230	1041	3936	3307	1242	3792	3162	1296	3552	2980	1391	3408	2835	1445
	14	20	3689	2625	744	4489	3500	884	4178	3264	1054	4224	3307	1256	4080	3198	1310	3792	2980	1404	3648	2871	1472
	16	22	3689	2793	756	4800	3500	895	4444	3264	1066	4512	3307	1269	4368	3198	1337	4080	2980	1431	3936	2871	1485
	18	25	3956	2995	767	5111	3802	907	4711	3533	1078	4800	3598	1283	4608	3452	1337	4320	3234	1445	4128	3089	1499
	19	27	4089	3096	779	5289	4004	918	4889	3701	1090	4992	3780	1296	4800	3634	1350	4512	3416	1445	4320	3271	1499
	22	30	4533	3062	779	5867	3971	918	5422	3668	1090	5520	3743	1310	5328	3598	1364	4800	3489	1499	4464	3416	1580
	24	32	4844	3062	791	6267	3971	930	5778	3668	1103	5904	3743	1310	5664	3598	1377	4992	3561	1539	4560	3525	1634
1.5+1.5+2.5	12	18	4227	3007	821	4787	4010	975	4431	3701	1149	4510	3789	1371	4345	3623	1430	4070	3415	1535	3905	3248	1594
	14	20	4227	3007	821	5144	4010	975	4787	3740	1163	4840	3789	1386	4675	3664	1445	4345	3415	1550	4180	3290	1624
	16	22	4227	3200	834	5500	4010	988	5093	3740	1176	5170	3789	1401	5005	3664	1475	4675	3415	1579	4510	3290	1639
	18	25	4532	3432	847	5856	4357	1001	5398	4048	1190	5500	4122	1416	5280	3956	1475	4950	3706	1594	4730	3540	1654
	19	27	4685	3547	860	6060	4588	1014	5602	4241	1203	5720	4331	1430	5500	4164	1490	5170	3914	1594	4950	3748	1654
	22	30	5194	3509	860	6722	4550	1014	6213	4203	1203	6325	4289	1445	6105	4122	1505	5500	3998	1654	5115	3914	1743
	24	32	5551	3509	872	7181	4550	1026	6620	4203	1217	6765	4289	1445	6490	4122	1520	5720	4081	1699	5225	4039	1803
1.5+1.5+3.5	12	18	4995	3554	1157	5657	4739	1374	5236	4374	1620	5330	4478	1932	5135	4281	2016	4810	4035	2163	4615	3839	2247
	14	20	4995	3554	1157	6079	4739	1374	5657	4420	1639	5720	4478	1953	5525	4331	2037	5135	4035	2184	4940	3888	2289
	16	22	4995	3782	1175	6500	4739	1392	6019	4420	1658	6110	4478	1974	5915	4331	2079	5525	4035	2226	5330	3888	2310
	18	25	5356	4055	1194	6921	5149	1411	6380	4785	1677	6500	4872	1995	6240	4675	2079	5850	4380	2247	5590	4183	2331
	19	27	5537	4192	1212	7162	5422	1429	6620	5012	1696	6760	5118	2016	6500	4921	2100	6110	4626	2247	5850	4429	2331
	22	30	6139	4147	1212	7944	5377	1429	7343	4967	1696	7475	5069	2037	7215	4872	2121	6500	4724	2331	6045	4626	2457
	24	32	6560	4147	1230	8486	5377	1447	7824	4967	1715	7995	5069	2037	7670	4872	2142	6760	4823	2394	6175	4774	2541
1.5+1.5+5.0	12	18	6148	4374	1229	6963	5833	1459	6444	5384	1720	6560	5512	2052	6320	5270	2141	5920	4967	2297	5680	4724	2386
	14	20	6148	4374	1229	7481	5833	1459	6963	5440	1740	7040	5512	2074	6800	5330	2163	6320	4967	2319	6080	4785	2431
	16	22	6148	4655	1248	8000	5833	1479	7407	5440	1760	7520	5512	2096	7280	5330	2208	6800	4967	2364	6560	4785	2453
	18	25	6593	4991	1267	8519	6337	1498	7852	5889	1781	8000	5996	2119	7680	5754	2208	7200	5391	2386	6880	5148	2475
	19	27	6815	5160	1287	8815	6674	1517	8148	6169	1801	8320	6299	2141	8000	6057	2230	7520	5694	2386	7200	5451	2475
	22	30	7556	5104	1287	9778	6618	1517	9037	6113	1801	9200	6239	2163	8880	5996	2252	8000	5815	2475	7440	5694	2609
	24	32	8074	5104	1306	10444	6618	1536	9630	6113	1821	9840	6239	2163	9440	5996	2275	8320	5936	2542	7600	5875	2698
1.5+1.8+1.8	12	18	3919	2789	744	4439	3718	884	4108	3432	1041	4182	3514	1242	4029	3359	1296	3774	3166	1391	3621	3012	1445
	14	20	3919	2789	744	4769	3718	884	4439	3468	1054	4488	3514	1256	4335	3398	1310	4029	3166	1404	3876	3050	1472
	16	22	3919	2967	756	5100	3718	895	4722	3468	1066	4794	3514	1269	4641	3398	1337	4335	3166	1431	4182	3050	1485
	18	25	4203	3182	767	5431	4040	907	5006	3754	1078	5100	3823	1283	4896	3668	1337	4590	3437	1445	4386	3282	1499
	19	27	4344	3289	779	5619	4255	918	5194	3933	1090	5304	4016	1296	5100	3861	1350	4794	3630	1445	4590	3475	1499
	22	30	4817	3253	779	6233	4219	918	5761	3897	1090	5865	3977	1310	5661	3823	1364	5100	3707	1499	4743	3630	1580
	24	32	5147	3253	791	6658	4219	930	6139	3897	1103	6273	3977	1310	6018	3823	1377	5304	3784	1539	4845	3745	1634

		INDOOR		OUTDOOR TEMPERATURE (°CDB)																				
		EWB	EDB	-10			21			27			32			35			40			43		
		°C	°C	TC	SHC	PI	TC	SHC	PI	TC	SHC	PI	TC	SHC	PI	TC	SHC	PI	TC	SHC	PI	TC	SHC	PI
1.5+1.8+2.5	12	18	4457	3171	821	5048	4229	975	4672	3903	1149	4756	3996	1371	4582	3820	1430	4292	3601	1535	4118	3425	1594	
	14	20	4457	3171	821	5424	4229	975	5048	3944	1163	5104	3996	1386	4930	3864	1445	4582	3601	1550	4408	3469	1624	
	16	22	4457	3375	834	5800	4229	988	5370	3944	1176	5452	3996	1401	5278	3864	1475	4930	3601	1579	4756	3469	1639	
	18	25	4780	3619	847	6176	4595	1001	5693	4269	1190	5800	4347	1416	5568	4172	1475	5220	3908	1594	4988	3733	1654	
	19	27	4941	3741	860	6391	4839	1014	5907	4473	1203	6032	4567	1430	5800	4391	1490	5452	4128	1594	5220	3952	1654	
	22	30	5478	3700	860	7089	4798	1014	6552	4432	1203	6670	4523	1445	6438	4347	1505	5800	4216	1654	5394	4128	1743	
	24	32	5854	3700	872	7572	4798	1026	6981	4432	1217	7134	4523	1445	6844	4347	1520	6032	4303	1699	5510	4260	1803	
1.5+1.8+3.5	12	18	5226	3718	1306	5919	4958	1551	5478	4576	1828	5576	4685	2180	5372	4479	2275	5032	4222	2441	4828	4016	2536	
	14	20	5226	3718	1306	6359	4958	1551	5919	4624	1849	5984	4685	2204	5780	4531	2299	5372	4222	2465	5168	4067	2583	
	16	22	5226	3957	1327	6800	4958	1571	6296	4624	1871	6392	4685	2228	6188	4531	2346	5780	4222	2512	5576	4067	2607	
	18	25	5604	4243	1347	7241	5387	1592	6674	5005	1892	6800	5097	2252	6528	4891	2346	6120	4582	2536	5848	4376	2631	
	19	27	5793	4386	1367	7493	5673	1612	6926	5244	1914	7072	5354	2275	6800	5148	2370	6392	4839	2536	6120	4634	2631	
	22	30	6422	4338	1367	8311	5625	1612	7681	5196	1914	7820	5303	2299	7548	5097	2394	6800	4942	2631	6324	4839	2773	
	24	32	6863	4338	1388	8878	5625	1633	8185	5196	1936	8364	5303	2299	8024	5097	2417	7072	5045	2702	6460	4994	2868	
1.5+1.8+5.0	12	18	6379	4538	1229	7224	6051	1459	6686	5586	1720	6806	5718	2052	6557	5467	2141	6142	5153	2297	5893	4902	2386	
	14	20	6379	4538	1229	7762	6051	1459	7224	5644	1740	7304	5718	2074	7055	5530	2163	6557	5153	2319	6308	4964	2431	
	16	22	6379	4829	1248	8300	6051	1479	7685	5644	1760	7802	5718	2096	7553	5530	2208	7055	5153	2364	6806	4964	2453	
	18	25	6840	5179	1267	8838	6575	1498	8146	6109	1781	8300	6221	2119	7968	5970	2208	7470	5593	2386	7138	5341	2475	
	19	27	7070	5353	1287	9145	6924	1517	8454	6400	1801	8632	6535	2141	8300	6284	2230	7802	5907	2386	7470	5656	2475	
	22	30	7839	5295	1287	10144	6866	1517	9376	6342	1801	9545	6473	2163	9213	6221	2252	8300	6033	2475	7719	5907	2609	
	24	32	8377	5295	1306	10836	6866	1536	9991	6342	1821	10209	6473	2163	9794	6221	2275	8632	6158	2542	7885	6096	2698	
1.5+2.5+2.5	12	18	4995	3554	1157	5657	4739	1374	5236	4374	1620	5330	4478	1932	5135	4281	2016	4810	4035	2163	4615	3839	2247	
	14	20	4995	3554	1157	6079	4739	1374	5657	4420	1639	5720	4478	1953	5525	4331	2037	5135	4035	2184	4940	3888	2289	
	16	22	4995	3782	1175	6500	4739	1392	6019	4420	1658	6110	4478	1974	5915	4331	2079	5525	4035	2226	5330	3888	2310	
	18	25	5356	4055	1194	6921	5149	1411	6380	4785	1677	6500	4872	1995	6240	4675	2079	5850	4380	2247	5590	4183	2331	
	19	27	5537	4192	1212	7162	5422	1429	6620	5012	1696	6760	5118	2016	6500	4921	2100	6110	4626	2247	5850	4429	2331	
	22	30	6139	4147	1212	7944	5377	1429	7343	4967	1696	7475	5069	2037	7215	4872	2121	6500	4724	2331	6045	4626	2457	
	24	32	6560	4147	1230	8486	5377	1447	7824	4967	1715	7995	5069	2037	7670	4872	2142	6760	4823	2394	6175	4774	2541	
1.5+2.5+3.5	12	18	5764	4101	1422	6528	5468	1688	6042	5047	1990	6150	5167	2374	5925	4940	2477	5550	4656	2657	5325	4429	2761	
	14	20	5764	4101	1422	7014	5468	1688	6528	5100	2013	6600	5167	2399	6375	4997	2503	5925	4656	2683	5700	4486	2812	
	16	22	5764	4364	1444	7500	5468	1711	6944	5100	2037	7050	5167	2425	6825	4997	2554	6375	4656	2735	6150	4486	2838	
	18	25	6181	4679	1466	7986	5941	1733	7361	5521	2060	7500	5622	2451	7200	5394	2554	6750	5054	2761	6450	4827	2864	
	19	27	6389	4837	1489	8264	6257	1755	7639	5784	2084	7800	5905	2477	7500	5678	2580	7050	5338	2761	6750	5111	2864	
	22	30	7083	4785	1489	9167	6204	1755	8472	5731	2084	8625	5849	2503	8325	5622	2606	7500	5451	2864	6975	5338	3019	
	24	32	7569	4785	1511	9792	6204	1777	9028	5731	2107	9225	5849	2503	8850	5622	2632	7800	5565	2941	7125	5508	3122	
1.5+2.5+5.0	12	18	6917	4921	1477	7833	6562	1754	7250	6057	2067	7380	6201	2466	7110	5928	2573	6660	5588	2760	6390	5315	2868	
	14	20	6917	4921	1477	8417	6562	1754	7833	6120	2091	7920	6201	2492	7650	5996	2600	7110	5588	2787	6840	5383	2921	
	16	22	6917	5237	1500	9000	6562	1777	8333	6120	2116	8460	6201	2519	8190	5996	2653	7650	5588	2841	7380	5383	2948	
	18	25	7417	5615	1523	9583	7129	1800	8833	6625	2140	9000	6746	2546	8640	6473	2653	8100	6064	2868	7740	5792	2975	
	19	27	7667	5805	1546	9917	7508	1823	9167	6940	2164	9360	7087	2573	9000	6814	2680	8460	6405	2868	8100	6133	2975	
	22	30	8500	5741	1546	11000	7445	1823	10167	6877	2164	10350	7018	2600	9990	6746	2707	9000	6541	2975	8370	6405	3136	
	24	32	9083	5741	1569	11750	7445	1846	10833	6877	2189	11070	7018	2600	10620	6746	2734	9360	6678	3055	8550	6610	3243	
1.5+3.5+3.5	12	18	6532	4648	1543	7398	6197	1832	6847	5720	2160	6970	5856	2576	6715	5599	2688	6290	5277	2884	6035	5020	2996	
	14	20	6532	4648	1543	7949	6197	1832	7398	5780	2185	7480	5856	2604	7225	5663	2716	6715	5277	2912	6460	5084	3052	
	16	22	6532	4946	1567	8500	6197	1857	7870	5780	2210	7990	5856	2632	7735	5663	2772	7225	5277	2968	6970	5084	3080	
	18	25	7005	5303	1591	9051	6733	1881	8343	6257	2236	8500	6371	2660	8160	6114	2772	7650	5728	2996	7310	5470	3108	
	19	27	7241	5482	1615	9366	7091	1905	8657	6555	2261	8840	6693	2688	8500	6435	2800	7990	6049	2996	7650	5792	3108	
	22	30	8028	5422	1615	10389	7031	1905	9602	6495	2261	9775	6629	2716	9435	6371	2828	8500	6178	3108	7905	6049	3276	
	24	32	8579	5422	1640	11097	7031	1929	10231	6495	2287	10455	6629	2716	10030	6371	2856	8840	6307	3192	8075	6242	3388	

	INDOOR		OUTDOOR TEMPERATURE (°CDB)																				
	EWB	EDB	-10			21			27			32			35			40			43		
	°C	°C	TC	SHC	PI	TC	SHC	PI	TC	SHC	PI	TC	SHC	PI	TC	SHC	PI	TC	SHC	PI	TC	SHC	PI
1.5+3.5+5.0	12	18	6917	4921	1477	7833	6562	1754	7250	6057	2067	7380	6201	2466	7110	5928	2573	6660	5588	2760	6390	5315	2868
	14	20	6917	4921	1477	8417	6562	1754	7833	6120	2091	7920	6201	2492	7650	5996	2600	7110	5588	2787	6840	5383	2921
	16	22	6917	5237	1500	9000	6562	1777	8333	6120	2116	8460	6201	2519	8190	5996	2653	7650	5588	2841	7380	5383	2948
	18	25	7417	5615	1523	9583	7129	1800	8833	6625	2140	9000	6746	2546	8640	6473	2653	8100	6064	2868	7740	5792	2975
	19	27	7667	5805	1546	9917	7508	1823	9167	6940	2164	9360	7087	2573	9000	6814	2680	8460	6405	2868	8100	6133	2975
	22	30	8500	5741	1546	11000	7445	1823	10167	6877	2164	10350	7018	2600	9990	6746	2707	9000	6541	2975	8370	6405	3136
	24	32	9083	5741	1569	11750	7445	1846	10833	6877	2189	11070	7018	2600	10620	6746	2734	9360	6678	3055	8550	6610	3243
1.5+5.0+5.0	12	18	6917	4921	1477	7833	6562	1754	7250	6057	2067	7380	6201	2466	7110	5928	2573	6660	5588	2760	6390	5315	2868
	14	20	6917	4921	1477	8417	6562	1754	7833	6120	2091	7920	6201	2492	7650	5996	2600	7110	5588	2787	6840	5383	2921
	16	22	6917	5237	1500	9000	6562	1777	8333	6120	2116	8460	6201	2519	8190	5996	2653	7650	5588	2841	7380	5383	2948
	18	25	7417	5615	1523	9583	7129	1800	8833	6625	2140	9000	6746	2546	8640	6473	2653	8100	6064	2868	7740	5792	2975
	19	27	7667	5805	1546	9917	7508	1823	9167	6940	2164	9360	7087	2573	9000	6814	2680	8460	6405	2868	8100	6133	2975
	22	30	8500	5741	1546	11000	7445	1823	10167	6877	2164	10350	7018	2600	9990	6746	2707	9000	6541	2975	8370	6405	3136
	24	32	9083	5741	1569	11750	7445	1846	10833	6877	2189	11070	7018	2600	10620	6746	2734	9360	6678	3055	8550	6610	3243
1.8+1.8+1.8	12	18	4150	2953	816	4700	3937	969	4350	3634	1142	4428	3720	1362	4266	3557	1421	3996	3353	1524	3834	3189	1584
	14	20	4150	2953	816	5050	3937	969	4700	3672	1155	4752	3720	1376	4590	3598	1436	4266	3353	1539	4104	3230	1613
	16	22	4150	3142	828	5400	3937	981	5000	3672	1168	5076	3720	1391	4914	3598	1465	4590	3353	1569	4428	3230	1628
	18	25	4450	3369	841	5750	4278	994	5300	3975	1182	5400	4048	1406	5184	3884	1465	4860	3639	1584	4644	3475	1643
	19	27	4600	3483	854	5950	4505	1007	5500	4164	1195	5616	4252	1421	5400	4088	1480	5076	3843	1584	4860	3680	1643
	22	30	5100	3445	854	6600	4467	1007	6100	4126	1195	6210	4211	1436	5994	4048	1495	5400	3925	1643	5022	3843	1732
	24	32	5450	3445	867	7050	4467	1020	6500	4126	1209	6642	4211	1436	6372	4048	1510	5616	4007	1687	5130	3966	1791
1.8+1.8+2.5	12	18	4688	3336	981	5309	4447	1165	4914	4105	1373	5002	4203	1638	4819	4018	1709	4514	3787	1833	4331	3602	1905
	14	20	4688	3336	981	5705	4447	1165	5309	4148	1389	5368	4203	1655	5185	4064	1727	4819	3787	1851	4636	3649	1940
	16	22	4688	3549	996	6100	4447	1180	5648	4148	1405	5734	4203	1673	5551	4064	1762	5185	3787	1887	5002	3649	1958
	18	25	5027	3806	1012	6495	4832	1196	5987	4490	1421	6100	4572	1691	5856	4387	1762	5490	4110	1905	5246	3926	1976
	19	27	5196	3934	1027	6721	5089	1211	6213	4704	1438	6344	4803	1709	6100	4618	1780	5734	4341	1905	5490	4157	1976
	22	30	5761	3891	1027	7456	5046	1211	6891	4661	1438	7015	4757	1727	6771	4572	1798	6100	4434	1976	5673	4341	2083
	24	32	6156	3891	1042	7964	5046	1226	7343	4661	1454	7503	4757	1727	7198	4572	1816	6344	4526	2029	5795	4480	2154
1.8+1.8+3.5	12	18	5456	3882	1053	6180	5176	1250	5719	4778	1473	5822	4892	1757	5609	4677	1834	5254	4408	1967	5041	4193	2044
	14	20	5456	3882	1053	6640	5176	1250	6180	4828	1491	6248	4892	1776	6035	4730	1853	5609	4408	1986	5396	4247	2082
	16	22	5456	4131	1069	7100	5176	1266	6574	4828	1508	6674	4892	1795	6461	4730	1891	6035	4408	2025	5822	4247	2101
	18	25	5851	4430	1086	7560	5624	1283	6969	5226	1525	7100	5322	1815	6816	5107	1891	6390	4784	2044	6106	4569	2120
	19	27	6048	4579	1102	7823	5923	1299	7231	5475	1543	7384	5591	1834	7100	5376	1910	6674	5053	2044	6390	4838	2120
	22	30	6706	4529	1102	8678	5873	1299	8020	5425	1543	8165	5537	1853	7881	5322	1929	7100	5160	2120	6603	5053	2235
	24	32	7166	4529	1118	9269	5873	1316	8546	5425	1560	8733	5537	1853	8378	5322	1948	7384	5268	2177	6745	5214	2311
1.8+1.8+5.0	12	18	6532	4648	1460	7398	6197	1734	6847	5720	2044	6970	5856	2438	6715	5599	2544	6290	5277	2730	6035	5020	2836
	14	20	6532	4648	1460	7949	6197	1734	7398	5780	2068	7480	5856	2465	7225	5663	2571	6715	5277	2756	6460	5084	2889
	16	22	6532	4946	1483	8500	6197	1757	7870	5780	2092	7990	5856	2491	7735	5663	2624	7225	5277	2809	6970	5084	2915
	18	25	7005	5303	1506	9051	6733	1780	8343	6257	2116	8500	6371	2518	8160	6114	2624	7650	5728	2836	7310	5470	2942
	19	27	7241	5482	1529	9366	7091	1803	8657	6555	2140	8840	6693	2544	8500	6435	2650	7990	6049	2836	7650	5792	2942
	22	30	8028	5422	1529	10389	7031	1803	9602	6495	2140	9775	6629	2571	9435	6371	2677	8500	6178	2942	7905	6049	3101
	24	32	8579	5422	1552	11097	7031	1826	10231	6495	2164	10455	6629	2571	10030	6371	2703	8840	6307	3021	8075	6242	3207
1.8+2.5+2.5	12	18	5226	3718	1025	5919	4958	1217	5478	4576	1435	5576	4685	1711	5372	4479	1786	5032	4222	1916	4828	4016	1990
	14	20	5226	3718	1025	6359	4958	1217	5919	4624	1451	5984	4685	1730	5780	4531	1804	5372	4222	1934	5168	4067	2027
	16	22	5226	3957	1041	6800	4958	1233	6296	4624	1468	6392	4685	1748	6188	4531	1841	5780	4222	1972	5576	4067	2046
	18	25	5604	4243	1057	7241	5387	1249	6674	5005	1485	6800	5097	1767	6528	4891	1841	6120	4582	1990	5848	4376	2065
	19	27	5793	4386	1073	7493	5673	1265	6926	5244	1502	7072	5354	1786	6800	5148	1860	6392	4839	1990	6120	4634	2065
	22	30	6422	4338	1073	8311	5625	1265	7681	5196	1502	7820	5303	1804	7548	5097	1879	6800	4942	2065	6324	4839	2176
	24	32	6863	4338	1089	8878	5625	1281	8185	5196	1519	8364	5303	1804	8024	5097	1897	7072	5045	2120	6460	4994	2251

	INDOOR		OUTDOOR TEMPERATURE (°CDB)																				
	EWB	EDB	-10			21			27			32			35			40			43		
	°C	°C	TC	SHC	PI	TC	SHC	PI	TC	SHC	PI	TC	SHC	PI	TC	SHC	PI	TC	SHC	PI	TC	SHC	PI
1.8+2.5+3.5	12	18	5994	4265	1207	6789	5687	1433	6283	5249	1689	6396	5374	2015	6162	5138	2102	5772	4843	2256	5538	4606	2343
	14	20	5994	4265	1207	7294	5687	1433	6789	5304	1709	6864	5374	2037	6630	5197	2124	6162	4843	2278	5928	4665	2387
	16	22	5994	4538	1226	7800	5687	1452	7222	5304	1729	7332	5374	2059	7098	5197	2168	6630	4843	2321	6396	4665	2409
	18	25	6428	4867	1245	8306	6179	1471	7656	5741	1749	7800	5846	2081	7488	5610	2168	7020	5256	2343	6708	5020	2431
	19	27	6644	5031	1264	8594	6507	1490	7944	6015	1769	8112	6142	2102	7800	5905	2190	7332	5551	2343	7020	5315	2431
	22	30	7367	4976	1264	9533	6452	1490	8811	5960	1769	8970	6083	2124	8658	5846	2212	7800	5669	2431	7254	5551	2562
	24	32	7872	4976	1282	10183	6452	1509	9389	5960	1789	9594	6083	2124	9204	5846	2234	8112	5787	2497	7410	5728	2650
1.8+2.5+5.0	12	18	6532	4648	1405	7398	6197	1669	6847	5720	1967	6970	5856	2346	6715	5599	2448	6290	5277	2627	6035	5020	2729
	14	20	6532	4648	1405	7949	6197	1669	7398	5780	1990	7480	5856	2372	7225	5663	2474	6715	5277	2652	6460	5084	2780
	16	22	6532	4946	1427	8500	6197	1691	7870	5780	2013	7990	5856	2397	7735	5663	2525	7225	5277	2703	6970	5084	2805
	18	25	7005	5303	1449	9051	6733	1713	8343	6257	2036	8500	6371	2423	8160	6114	2525	7650	5728	2729	7310	5470	2831
	19	27	7241	5482	1471	9366	7091	1735	8657	6555	2059	8840	6693	2448	8500	6435	2550	7990	6049	2729	7650	5792	2831
	22	30	8028	5422	1471	10389	7031	1735	9602	6495	2059	9775	6629	2474	9435	6371	2576	8500	6178	2831	7905	6049	2984
	24	32	8579	5422	1493	11097	7031	1757	10231	6495	2083	10455	6629	2474	10030	6371	2601	8840	6307	2907	8075	6242	3086
1.8+3.5+3.5	12	18	6532	4648	1433	7398	6197	1702	6847	5720	2005	6970	5856	2392	6715	5599	2496	6290	5277	2678	6035	5020	2782
	14	20	6532	4648	1433	7949	6197	1702	7398	5780	2029	7480	5856	2418	7225	5663	2522	6715	5277	2704	6460	5084	2834
	16	22	6532	4946	1455	8500	6197	1724	7870	5780	2053	7990	5856	2444	7735	5663	2574	7225	5277	2756	6970	5084	2860
	18	25	7005	5303	1478	9051	6733	1746	8343	6257	2076	8500	6371	2470	8160	6114	2574	7650	5728	2782	7310	5470	2886
	19	27	7241	5482	1500	9366	7091	1769	8657	6555	2100	8840	6693	2496	8500	6435	2600	7990	6049	2782	7650	5792	2886
	22	30	8028	5422	1500	10389	7031	1769	9602	6495	2100	9775	6629	2522	9435	6371	2626	8500	6178	2886	7905	6049	3042
	24	32	8579	5422	1522	11097	7031	1791	10231	6495	2123	10455	6629	2522	10030	6371	2652	8840	6307	2964	8075	6242	3146
1.8+3.5+5.0	12	18	6532	4648	1427	7398	6197	1695	6847	5720	1998	6970	5856	2383	6715	5599	2486	6290	5277	2668	6035	5020	2771
	14	20	6532	4648	1427	7949	6197	1695	7398	5780	2021	7480	5856	2409	7225	5663	2512	6715	5277	2694	6460	5084	2823
	16	22	6532	4946	1450	8500	6197	1717	7870	5780	2045	7990	5856	2435	7735	5663	2564	7225	5277	2745	6970	5084	2849
	18	25	7005	5303	1472	9051	6733	1740	8343	6257	2068	8500	6371	2461	8160	6114	2564	7650	5728	2771	7310	5470	2875
	19	27	7241	5482	1494	9366	7091	1762	8657	6555	2092	8840	6693	2486	8500	6435	2590	7990	6049	2771	7650	5792	2875
	22	30	8028	5422	1494	10389	7031	1762	9602	6495	2092	9775	6629	2512	9435	6371	2616	8500	6178	2875	7905	6049	3030
	24	32	8579	5422	1517	11097	7031	1784	10231	6495	2115	10455	6629	2512	10030	6371	2642	8840	6307	2953	8075	6242	3134
1.8+5.0+5.0	12	18	6532	4648	1427	7398	6197	1695	6847	5720	1998	6970	5856	2383	6715	5599	2486	6290	5277	2668	6035	5020	2771
	14	20	6532	4648	1427	7949	6197	1695	7398	5780	2021	7480	5856	2409	7225	5663	2512	6715	5277	2694	6460	5084	2823
	16	22	6532	4946	1450	8500	6197	1717	7870	5780	2045	7990	5856	2435	7735	5663	2564	7225	5277	2745	6970	5084	2849
	18	25	7005	5303	1472	9051	6733	1740	8343	6257	2068	8500	6371	2461	8160	6114	2564	7650	5728	2771	7310	5470	2875
	19	27	7241	5482	1494	9366	7091	1762	8657	6555	2092	8840	6693	2486	8500	6435	2590	7990	6049	2771	7650	5792	2875
	22	30	8028	5422	1494	10389	7031	1762	9602	6495	2092	9775	6629	2512	9435	6371	2616	8500	6178	2875	7905	6049	3030
	24	32	8579	5422	1517	11097	7031	1784	10231	6495	2115	10455	6629	2512	10030	6371	2642	8840	6307	2953	8075	6242	3134
2.5+2.5+2.5	12	18	5764	4101	1168	6528	5468	1387	6042	5047	1635	6150	5167	1950	5925	4940	2035	5550	4656	2184	5325	4429	2268
	14	20	5764	4101	1168	7014	5468	1387	6528	5100	1654	6600	5167	1972	6375	4997	2056	5925	4656	2205	5700	4486	2311
	16	22	5764	4364	1187	7500	5468	1406	6944	5100	1674	7050	5167	1993	6825	4997	2099	6375	4656	2247	6150	4486	2332
	18	25	6181	4679	1205	7986	5941	1424	7361	5521	1693	7500	5622	2014	7200	5394	2099	6750	5054	2268	6450	4827	2353
	19	27	6389	4837	1223	8264	6257	1442	7639	5784	1712	7800	5905	2035	7500	5678	2120	7050	5338	2268	6750	5111	2353
	22	30	7083	4785	1223	9167	6204	1442	8472	5731	1712	8625	5849	2056	8325	5622	2141	7500	5451	2353	6975	5338	2480
	24	32	7569	4785	1241	9792	6204	1460	9028	5731	1731	9225	5849	2056	8850	5622	2162	7800	5565	2417	7125	5508	2565
2.5+2.5+3.5	12	18	6532	4648	1411	7398	6197	1675	6847	5720	1975	6970	5856	2355	6715	5599	2458	6290	5277	2637	6035	5020	2739
	14	20	6532	4648	1411	7949	6197	1675	7398	5780	1998	7480	5856	2381	7225	5663	2483	6715	5277	2662	6460	5084	2790
	16	22	6532	4946	1433	8500	6197	1697	7870	5780	2021	7990	5856	2406	7735	5663	2534	7225	5277	2714	6970	5084	2816
	18	25	7005	5303	1455	9051	6733	1719	8343	6257	2044	8500	6371	2432	8160	6114	2534	7650	5728	2739	7310	5470	2842
	19	27	7241	5482	1477	9366	7091	1742	8657	6555	2067	8840	6693	2458	8500	6435	2560	7990	6049	2739	7650	5792	2842
	22	30	8028	5422	1477	10389	7031	1742	9602	6495	2067	9775	6629	2483	9435	6371	2586	8500	6178	2842	7905	6049	2995
	24	32	8579	5422	1499	11097	7031	1764	10231	6495	2091	10455	6629	2483	10030	6371	2611	8840	6307	2918	8075	6242	3098



	INDOOR		OUTDOOR TEMPERATURE (°CDB)																				
	EWB	EDB	-10			21			27			32			35			40			43		
	°C	°C	TC	SHC	PI	TC	SHC	PI	TC	SHC	PI	TC	SHC	PI	TC	SHC	PI	TC	SHC	PI	TC	SHC	PI
2.5+2.5+5.0	12	18	6532	4648	1444	7398	6197	1715	6847	5720	2021	6970	5856	2410	6715	5599	2515	6290	5277	2699	6035	5020	2803
	14	20	6532	4648	1444	7949	6197	1715	7398	5780	2045	7480	5856	2437	7225	5663	2541	6715	5277	2725	6460	5084	2856
	16	22	6532	4946	1466	8500	6197	1737	7870	5780	2068	7990	5856	2463	7735	5663	2594	7225	5277	2777	6970	5084	2882
	18	25	7005	5303	1489	9051	6733	1760	8343	6257	2092	8500	6371	2489	8160	6114	2594	7650	5728	2803	7310	5470	2908
	19	27	7241	5482	1512	9366	7091	1782	8657	6555	2116	8840	6693	2515	8500	6435	2620	7990	6049	2803	7650	5792	2908
	22	30	8028	5422	1512	10389	7031	1782	9602	6495	2116	9775	6629	2541	9435	6371	2646	8500	6178	2908	7905	6049	3065
	24	32	8579	5422	1534	11097	7031	1805	10231	6495	2140	10455	6629	2541	10030	6371	2672	8840	6307	2987	8075	6242	3170
2.5+3.5+3.5	12	18	6532	4648	1433	7398	6197	1702	6847	5720	2005	6970	5856	2392	6715	5599	2496	6290	5277	2678	6035	5020	2782
	14	20	6532	4648	1433	7949	6197	1702	7398	5780	2029	7480	5856	2418	7225	5663	2522	6715	5277	2704	6460	5084	2834
	16	22	6532	4946	1455	8500	6197	1724	7870	5780	2053	7990	5856	2444	7735	5663	2574	7225	5277	2756	6970	5084	2860
	18	25	7005	5303	1478	9051	6733	1746	8343	6257	2076	8500	6371	2470	8160	6114	2574	7650	5728	2782	7310	5470	2886
	19	27	7241	5482	1500	9366	7091	1769	8657	6555	2100	8840	6693	2496	8500	6435	2600	7990	6049	2782	7650	5792	2886
	22	30	8028	5422	1500	10389	7031	1769	9602	6495	2100	9775	6629	2522	9435	6371	2626	8500	6178	2886	7905	6049	3042
	24	32	8579	5422	1522	11097	7031	1791	10231	6495	2123	10455	6629	2522	10030	6371	2652	8840	6307	2964	8075	6242	3146
2.5+3.5+5.0	12	18	6532	4648	1444	7398	6197	1715	6847	5720	2021	6970	5856	2410	6715	5599	2515	6290	5277	2699	6035	5020	2803
	14	20	6532	4648	1444	7949	6197	1715	7398	5780	2045	7480	5856	2437	7225	5663	2541	6715	5277	2725	6460	5084	2856
	16	22	6532	4946	1466	8500	6197	1737	7870	5780	2068	7990	5856	2463	7735	5663	2594	7225	5277	2777	6970	5084	2882
	18	25	7005	5303	1489	9051	6733	1760	8343	6257	2092	8500	6371	2489	8160	6114	2594	7650	5728	2803	7310	5470	2908
	19	27	7241	5482	1512	9366	7091	1782	8657	6555	2116	8840	6693	2515	8500	6435	2620	7990	6049	2803	7650	5792	2908
	22	30	8028	5422	1512	10389	7031	1782	9602	6495	2116	9775	6629	2541	9435	6371	2646	8500	6178	2908	7905	6049	3065
	24	32	8579	5422	1534	11097	7031	1805	10231	6495	2140	10455	6629	2541	10030	6371	2672	8840	6307	2987	8075	6242	3170
2.5+5.0+5.0	12	18	6532	4648	1444	7398	6197	1715	6847	5720	2021	6970	5856	2410	6715	5599	2515	6290	5277	2699	6035	5020	2803
	14	20	6532	4648	1444	7949	6197	1715	7398	5780	2045	7480	5856	2437	7225	5663	2541	6715	5277	2725	6460	5084	2856
	16	22	6532	4946	1466	8500	6197	1737	7870	5780	2068	7990	5856	2463	7735	5663	2594	7225	5277	2777	6970	5084	2882
	18	25	7005	5303	1489	9051	6733	1760	8343	6257	2092	8500	6371	2489	8160	6114	2594	7650	5728	2803	7310	5470	2908
	19	27	7241	5482	1512	9366	7091	1782	8657	6555	2116	8840	6693	2515	8500	6435	2620	7990	6049	2803	7650	5792	2908
	22	30	8028	5422	1512	10389	7031	1782	9602	6495	2116	9775	6629	2541	9435	6371	2646	8500	6178	2908	7905	6049	3065
	24	32	8579	5422	1534	11097	7031	1805	10231	6495	2140	10455	6629	2541	10030	6371	2672	8840	6307	2987	8075	6242	3170
3.5+3.5+3.5	12	18	6532	4648	1433	7398	6197	1702	6847	5720	2005	6970	5856	2392	6715	5599	2496	6290	5277	2678	6035	5020	2782
	14	20	6532	4648	1433	7949	6197	1702	7398	5780	2029	7480	5856	2418	7225	5663	2522	6715	5277	2704	6460	5084	2834
	16	22	6532	4946	1455	8500	6197	1724	7870	5780	2053	7990	5856	2444	7735	5663	2574	7225	5277	2756	6970	5084	2860
	18	25	7005	5303	1478	9051	6733	1746	8343	6257	2076	8500	6371	2470	8160	6114	2574	7650	5728	2782	7310	5470	2886
	19	27	7241	5482	1500	9366	7091	1769	8657	6555	2100	8840	6693	2496	8500	6435	2600	7990	6049	2782	7650	5792	2886
	22	30	8028	5422	1500	10389	7031	1769	9602	6495	2100	9775	6629	2522	9435	6371	2626	8500	6178	2886	7905	6049	3042
	24	32	8579	5422	1522	11097	7031	1791	10231	6495	2123	10455	6629	2522	10030	6371	2652	8840	6307	2964	8075	6242	3146
3.5+3.5+5.0	12	18	6532	4648	1444	7398	6197	1715	6847	5720	2021	6970	5856	2410	6715	5599	2515	6290	5277	2699	6035	5020	2803
	14	20	6532	4648	1444	7949	6197	1715	7398	5780	2045	7480	5856	2437	7225	5663	2541	6715	5277	2725	6460	5084	2856
	16	22	6532	4946	1466	8500	6197	1737	7870	5780	2068	7990	5856	2463	7735	5663	2594	7225	5277	2777	6970	5084	2882
	18	25	7005	5303	1489	9051	6733	1760	8343	6257	2092	8500	6371	2489	8160	6114	2594	7650	5728	2803	7310	5470	2908
	19	27	7241	5482	1512	9366	7091	1782	8657	6555	2116	8840	6693	2515	8500	6435	2620	7990	6049	2803	7650	5792	2908
	22	30	8028	5422	1512	10389	7031	1782	9602	6495	2116	9775	6629	2541	9435	6371	2646	8500	6178	2908	7905	6049	3065
	24	32	8579	5422	1534	11097	7031	1805	10231	6495	2140	10455	6629	2541	10030	6371	2672	8840	6307	2987	8075	6242	3170
3.5+5.0+5.0	12	18	6532	4648	1444	7398	6197	1715	6847	5720	2021	6970	5856	2410	6715	5599	2515	6290	5277	2699	6035	5020	2803
	14	20	6532	4648	1444	7949	6197	1715	7398	5780	2045	7480	5856	2437	7225	5663	2541	6715	5277	2725	6460	5084	2856
	16	22	6532	4946	1466	8500	6197	1737	7870	5780	2068	7990	5856	2463	7735	5663	2594	7225	5277	2777	6970	5084	2882
	18	25	7005	5303	1489	9051	6733	1760	8343	6257	2092	8500	6371	2489	8160	6114	2594	7650	5728	2803	7310	5470	2908
	19	27	7241	5482	1512	9366	7091	1782	8657	6555	2116	8840	6693	2515	8500	6435	2620	7990	6049	2803	7650	5792	2908
	22	30	8028	5422	1512	10389	7031	1782	9602	6495	2116	9775	6629	2541	9435	6371	2646	8500	6178	2908	7905	6049	3065
	24	32	8579	5422	1534	11097	7031	1805	10231	6495	2140	10455	6629	2541	10030	6371	2672	8840	6307	2987	8075	6242	3170

	INDOOR		OUTDOOR TEMPERATURE (°CDB)																				
	EWB	EDB	-10			21			27			32			35			40			43		
	°C	°C	TC	SHC	PI	TC	SHC	PI	TC	SHC	PI	TC	SHC	PI	TC	SHC	PI	TC	SHC	PI	TC	SHC	PI
5.0+5.0+5.0	12	18	6532	4648	1482	7398	6197	1760	6847	5720	2075	6970	5856	2475	6715	5599	2582	6290	5277	2771	6035	5020	2878
	14	20	6532	4648	1482	7949	6197	1760	7398	5780	2099	7480	5856	2502	7225	5663	2609	6715	5277	2798	6460	5084	2932
	16	22	6532	4946	1506	8500	6197	1784	7870	5780	2124	7990	5856	2529	7735	5663	2663	7225	5277	2851	6970	5084	2959
	18	25	7005	5303	1529	9051	6733	1807	8343	6257	2148	8500	6371	2556	8160	6114	2663	7650	5728	2878	7310	5470	2986
	19	27	7241	5482	1552	9366	7091	1830	8657	6555	2172	8840	6693	2582	8500	6435	2690	7990	6049	2878	7650	5792	2986
	22	30	8028	5422	1552	10389	7031	1830	9602	6495	2172	9775	6629	2609	9435	6371	2717	8500	6178	2986	7905	6049	3147
	24	32	8579	5422	1575	11097	7031	1853	10231	6495	2197	10455	6629	2609	10030	6371	2744	8840	6307	3067	8075	6242	3255
1.5+1.5+ 1.5+1.5	12	18	4611	3281	744	5222	4374	884	4833	4038	1041	4920	4134	1242	4740	3952	1296	4440	3725	1391	4260	3543	1445
	14	20	4611	3281	744	5611	4374	884	5222	4080	1054	5280	4134	1256	5100	3998	1310	4740	3725	1404	4560	3589	1472
	16	22	4611	3491	756	6000	4374	895	5556	4080	1066	5640	4134	1269	5460	3998	1337	5100	3725	1431	4920	3589	1485
	18	25	4944	3744	767	6389	4753	907	5889	4417	1078	6000	4497	1283	5760	4316	1337	5400	4043	1445	5160	3861	1499
	19	27	5111	3870	779	6611	5005	918	6111	4627	1090	6240	4724	1296	6000	4543	1350	5640	4270	1445	5400	4088	1499
	22	30	5667	3828	779	7333	4963	918	6778	4585	1090	6900	4679	1310	6660	4497	1364	6000	4361	1499	5580	4270	1580
	24	32	6056	3828	791	7833	4963	930	7222	4585	1103	7380	4679	1310	7080	4497	1377	6240	4452	1539	5700	4406	1634
1.5+1.5+ 1.5+1.8	12	18	4842	3445	816	5483	4593	969	5075	4240	1142	5166	4341	1362	4977	4150	1421	4662	3911	1524	4473	3720	1584
	14	20	4842	3445	816	5892	4593	969	5483	4284	1155	5544	4341	1376	5355	4197	1436	4977	3911	1539	4788	3768	1613
	16	22	4842	3666	828	6300	4593	981	5833	4284	1168	5922	4341	1391	5733	4197	1465	5355	3911	1569	5166	3768	1628
	18	25	5192	3931	841	6708	4991	994	6183	4637	1182	6300	4722	1406	6048	4531	1465	5670	4245	1584	5418	4054	1643
	19	27	5367	4063	854	6942	5256	1007	6417	4858	1195	6552	4961	1421	6300	4770	1480	5922	4484	1584	5670	4293	1643
	22	30	5950	4019	854	7700	5211	1007	7117	4814	1195	7245	4913	1436	6993	4722	1495	6300	4579	1643	5859	4484	1732
	24	32	6358	4019	867	8225	5211	1020	7583	4814	1209	7749	4913	1436	7434	4722	1510	6552	4674	1687	5985	4627	1791
1.5+1.5+ 1.5+2.5	12	18	5380	3828	981	6093	5104	1165	5639	4711	1373	5740	4823	1638	5530	4611	1709	5180	4346	1833	4970	4134	1905
	14	20	5380	3828	981	6546	5104	1165	6093	4760	1389	6160	4823	1655	5950	4664	1727	5530	4346	1851	5320	4187	1940
	16	22	5380	4073	996	7000	5104	1180	6481	4760	1405	6580	4823	1673	6370	4664	1762	5950	4346	1887	5740	4187	1958
	18	25	5769	4367	1012	7454	5545	1196	6870	5153	1421	7000	5247	1691	6720	5035	1762	6300	4717	1905	6020	4505	1976
	19	27	5963	4515	1027	7713	5840	1211	7130	5398	1438	7280	5512	1709	7000	5300	1780	6580	4982	1905	6300	4770	1976
	22	30	6611	4466	1027	8556	5791	1211	7907	5349	1438	8050	5459	1727	7770	5247	1798	7000	5088	1976	6510	4982	2083
	24	32	7065	4466	1042	9139	5791	1226	8426	5349	1454	8610	5459	1727	8260	5247	1816	7280	5194	2029	6650	5141	2154
1.5+1.5+ 1.5+3.5	12	18	6148	4374	1053	6963	5833	1250	6444	5384	1473	6560	5512	1757	6320	5270	1834	5920	4967	1967	5680	4724	2044
	14	20	6148	4374	1053	7481	5833	1250	6963	5440	1491	7040	5512	1776	6800	5330	1853	6320	4967	1986	6080	4785	2082
	16	22	6148	4655	1069	8000	5833	1266	7407	5440	1508	7520	5512	1795	7280	5330	1891	6800	4967	2025	6560	4785	2101
	18	25	6593	4991	1086	8519	6337	1283	7852	5889	1525	8000	5996	1815	7680	5754	1891	7200	5391	2044	6880	5148	2120
	19	27	6815	5160	1102	8815	6674	1299	8148	6169	1543	8320	6299	1834	8000	6057	1910	7520	5694	2044	7200	5451	2120
	22	30	7556	5104	1102	9778	6618	1299	9037	6113	1543	9200	6239	1853	8880	5996	1929	8000	5815	2120	7440	5694	2235
	24	32	8074	5104	1118	10444	6618	1316	9630	6113	1560	9840	6239	1853	9440	5996	1948	8320	5936	2177	7600	5875	2311
1.5+1.5+ 1.5+5.0	12	18	6532	4648	1460	7398	6197	1734	6847	5720	2044	6970	5856	2438	6715	5599	2544	6290	5277	2730	6035	5020	2836
	14	20	6532	4648	1460	7949	6197	1734	7398	5780	2068	7480	5856	2465	7225	5663	2571	6715	5277	2756	6460	5084	2889
	16	22	6532	4946	1483	8500	6197	1757	7870	5780	2092	7990	5856	2491	7735	5663	2624	7225	5277	2809	6970	5084	2915
	18	25	7005	5303	1506	9051	6733	1780	8343	6257	2116	8500	6371	2518	8160	6114	2624	7650	5728	2836	7310	5470	2942
	19	27	7241	5482	1529	9366	7091	1803	8657	6555	2140	8840	6693	2544	8500	6435	2650	7990	6049	2836	7650	5792	2942
	22	30	8028	5422	1529	10389	7031	1803	9602	6495	2140	9775	6629	2571	9435	6371	2677	8500	6178	2942	7905	6049	3101
	24	32	8579	5422	1552	11097	7031	1826	10231	6495	2164	10455	6629	2571	10030	6371	2703	8840	6307	3021	8075	6242	3207
1.5+1.5+ 1.8+1.8	12	18	5072	3609	964	5744	4812	1145	5317	4442	1350	5412	4547	1610	5214	4347	1680	4884	4098	1803	4686	3898	1873
	14	20	5072	3609	964	6172	4812	1145	5744	4488	1366	5808	4547	1628	5610	4397	1698	5214	4098	1820	5016	3948	1908
	16	22	5072	3840	980	6600	4812	1160	6111	4488	1382	6204	4547	1645	6006	4397	1733	5610	4098	1855	5412	3948	1925
	18	25	5439	4118	995	7028	5228	1175	6478	4858	1397	6600	4947	1663	6336	4747	1733	5940	4447	1873	5676	4247	1943
	19	27	5622	4257	1010	7272	5506	1190	6722	5089	1413	6864	5197	1680	6600	4997	1750	6204	4697	1873	5940	4497	1943
	22	30	6233	4210	1010	8067	5460	1190	7456	5043	1413	7590	5147	1698	7326	4947	1768	6600	4797	1943	6138	4697	2048
	24	32	6661	4210	1025	8617	5460	1206	7944	5043	1429	8118	5147	1698	7788	4947	1785	6864	4897	1995	6270	4847	2118

	INDOOR		OUTDOOR TEMPERATURE (°CDB)																				
	EWB	EDB	-10			21			27			32			35			40			43		
	°C	°C	TC	SHC	PI	TC	SHC	PI	TC	SHC	PI	TC	SHC	PI	TC	SHC	PI	TC	SHC	PI	TC	SHC	PI
1.5+1.5+ 1.8+2.5	12	18	5610	3992	1020	6354	5322	1211	5881	4913	1427	5986	5030	1702	5767	4808	1776	5402	4532	1906	5183	4311	1980
	14	20	5610	3992	1020	6827	5322	1211	6354	4964	1444	6424	5030	1721	6205	4864	1795	5767	4532	1924	5548	4366	2017
	16	22	5610	4248	1035	7300	5322	1227	6759	4964	1460	6862	5030	1739	6643	4864	1832	6205	4532	1961	5986	4366	2035
	18	25	6016	4555	1051	7773	5783	1243	7165	5373	1477	7300	5472	1758	7008	5251	1832	6570	4919	1980	6278	4698	2054
	19	27	6219	4708	1067	8044	6090	1259	7435	5629	1494	7592	5748	1776	7300	5527	1850	6862	5195	1980	6570	4974	2054
	22	30	6894	4657	1067	8922	6039	1259	8246	5578	1494	8395	5693	1795	8103	5472	1869	7300	5306	2054	6789	5195	2165
	24	32	7368	4657	1083	9531	6039	1274	8787	5578	1511	8979	5693	1795	8614	5472	1887	7592	5416	2109	6935	5361	2239
1.5+1.5+ 1.8+3.5	12	18	6379	4538	1201	7224	6051	1427	6686	5586	1681	6806	5718	2006	6557	5467	2093	6142	5153	2245	5893	4902	2333
	14	20	6379	4538	1201	7762	6051	1427	7224	5644	1701	7304	5718	2027	7055	5530	2115	6557	5153	2267	6308	4964	2376
	16	22	6379	4829	1220	8300	6051	1445	7685	5644	1721	7802	5718	2049	7553	5530	2158	7055	5153	2311	6806	4964	2398
	18	25	6840	5179	1239	8838	6575	1464	8146	6109	1741	8300	6221	2071	7968	5970	2158	7470	5593	2333	7138	5341	2420
	19	27	7070	5353	1258	9145	6924	1483	8454	6400	1761	8632	6535	2093	8300	6284	2180	7802	5907	2333	7470	5656	2420
	22	30	7839	5295	1258	10144	6866	1483	9376	6342	1761	9545	6473	2115	9213	6221	2202	8300	6033	2420	7719	5907	2551
	24	32	8377	5295	1277	10836	6866	1502	9991	6342	1780	10209	6473	2115	9794	6221	2224	8632	6158	2485	7885	6096	2638
1.5+1.5+ 1.8+5.0	12	18	6532	4648	1433	7398	6197	1702	6847	5720	2005	6970	5856	2392	6715	5599	2496	6290	5277	2678	6035	5020	2782
	14	20	6532	4648	1433	7949	6197	1702	7398	5780	2029	7480	5856	2418	7225	5663	2522	6715	5277	2704	6460	5084	2834
	16	22	6532	4946	1455	8500	6197	1724	7870	5780	2053	7990	5856	2444	7735	5663	2574	7225	5277	2756	6970	5084	2860
	18	25	7005	5303	1478	9051	6733	1746	8343	6257	2076	8500	6371	2470	8160	6114	2574	7650	5728	2782	7310	5470	2886
	19	27	7241	5482	1500	9366	7091	1769	8657	6555	2100	8840	6693	2496	8500	6435	2600	7990	6049	2782	7650	5792	2886
	22	30	8028	5422	1500	10389	7031	1769	9602	6495	2100	9775	6629	2522	9435	6371	2626	8500	6178	2886	7905	6049	3042
	24	32	8579	5422	1522	11097	7031	1791	10231	6495	2123	10455	6629	2522	10030	6371	2652	8840	6307	2964	8075	6242	3146
1.5+1.5+ 2.5+2.5	12	18	6148	4374	1185	6963	5833	1407	6444	5384	1658	6560	5512	1978	6320	5270	2064	5920	4967	2215	5680	4724	2301
	14	20	6148	4374	1185	7481	5833	1407	6963	5440	1678	7040	5512	2000	6800	5330	2086	6320	4967	2236	6080	4785	2344
	16	22	6148	4655	1203	8000	5833	1426	7407	5440	1697	7520	5512	2021	7280	5330	2129	6800	4967	2279	6560	4785	2365
	18	25	6593	4991	1222	8519	6337	1444	7852	5889	1717	8000	5996	2043	7680	5754	2129	7200	5391	2301	6880	5148	2387
	19	27	6815	5160	1240	8815	6674	1463	8148	6169	1736	8320	6299	2064	8000	6057	2150	7520	5694	2301	7200	5451	2387
	22	30	7556	5104	1240	9778	6618	1463	9037	6113	1736	9200	6239	2086	8880	5996	2172	8000	5815	2387	7440	5694	2516
	24	32	8074	5104	1259	10444	6618	1481	9630	6113	1756	9840	6239	2086	9440	5996	2193	8320	5936	2451	7600	5875	2602
1.5+1.5+ 2.5+3.5	12	18	6532	4648	1433	7398	6197	1702	6847	5720	2005	6970	5856	2392	6715	5599	2496	6290	5277	2678	6035	5020	2782
	14	20	6532	4648	1433	7949	6197	1702	7398	5780	2029	7480	5856	2418	7225	5663	2522	6715	5277	2704	6460	5084	2834
	16	22	6532	4946	1455	8500	6197	1724	7870	5780	2053	7990	5856	2444	7735	5663	2574	7225	5277	2756	6970	5084	2860
	18	25	7005	5303	1478	9051	6733	1746	8343	6257	2076	8500	6371	2470	8160	6114	2574	7650	5728	2782	7310	5470	2886
	19	27	7241	5482	1500	9366	7091	1769	8657	6555	2100	8840	6693	2496	8500	6435	2600	7990	6049	2782	7650	5792	2886
	22	30	8028	5422	1500	10389	7031	1769	9602	6495	2100	9775	6629	2522	9435	6371	2626	8500	6178	2886	7905	6049	3042
	24	32	8579	5422	1522	11097	7031	1791	10231	6495	2123	10455	6629	2522	10030	6371	2652	8840	6307	2964	8075	6242	3146
1.5+1.5+ 2.5+5.0	12	18	6532	4648	1433	7398	6197	1702	6847	5720	2005	6970	5856	2392	6715	5599	2496	6290	5277	2678	6035	5020	2782
	14	20	6532	4648	1433	7949	6197	1702	7398	5780	2029	7480	5856	2418	7225	5663	2522	6715	5277	2704	6460	5084	2834
	16	22	6532	4946	1455	8500	6197	1724	7870	5780	2053	7990	5856	2444	7735	5663	2574	7225	5277	2756	6970	5084	2860
	18	25	7005	5303	1478	9051	6733	1746	8343	6257	2076	8500	6371	2470	8160	6114	2574	7650	5728	2782	7310	5470	2886
	19	27	7241	5482	1500	9366	7091	1769	8657	6555	2100	8840	6693	2496	8500	6435	2600	7990	6049	2782	7650	5792	2886
	22	30	8028	5422	1500	10389	7031	1769	9602	6495	2100	9775	6629	2522	9435	6371	2626	8500	6178	2886	7905	6049	3042
	24	32	8579	5422	1522	11097	7031	1791	10231	6495	2123	10455	6629	2522	10030	6371	2652	8840	6307	2964	8075	6242	3146
1.5+1.5+ 3.5+3.5	12	18	6532	4648	1433	7398	6197	1702	6847	5720	2005	6970	5856	2392	6715	5599	2496	6290	5277	2678	6035	5020	2782
	14	20	6532	4648	1433	7949	6197	1702	7398	5780	2029	7480	5856	2418	7225	5663	2522	6715	5277	2704	6460	5084	2834
	16	22	6532	4946	1455	8500	6197	1724	7870	5780	2053	7990	5856	2444	7735	5663	2574	7225	5277	2756	6970	5084	2860
	18	25	7005	5303	1478	9051	6733	1746	8343	6257	2076	8500	6371	2470	8160	6114	2574	7650	5728	2782	7310	5470	2886
	19	27	7241	5482	1500	9366	7091	1769	8657	6555	2100	8840	6693	2496	8500	6435	2600	7990	6049	2782	7650	5792	2886
	22	30	8028	5422	1500	10389	7031	1769	9602	6495	2100	9775	6629	2522	9435	6371	2626	8500	6178	2886	7905	6049	3042
	24	32	8579	5422	1522	11097	7031	1791	10231	6495	2123	10455	6629	2522	10030	6371	2652	8840	6307	2964	8075	6242	3146

	INDOOR		OUTDOOR TEMPERATURE (°CDB)																				
	EWB	EDB	-10			21			27			32			35			40			43		
	°C	°C	TC	SHC	PI	TC	SHC	PI	TC	SHC	PI	TC	SHC	PI	TC	SHC	PI	TC	SHC	PI	TC	SHC	PI
1.5+1.5+ 3.5+5.0	12	18	6532	4648	1433	7398	6197	1702	6847	5720	2005	6970	5856	2392	6715	5599	2496	6290	5277	2678	6035	5020	2782
	14	20	6532	4648	1433	7949	6197	1702	7398	5780	2029	7480	5856	2418	7225	5663	2522	6715	5277	2704	6460	5084	2834
	16	22	6532	4946	1455	8500	6197	1724	7870	5780	2053	7990	5856	2444	7735	5663	2574	7225	5277	2756	6970	5084	2860
	18	25	7005	5303	1478	9051	6733	1746	8343	6257	2076	8500	6371	2470	8160	6114	2574	7650	5728	2782	7310	5470	2886
	19	27	7241	5482	1500	9366	7091	1769	8657	6555	2100	8840	6693	2496	8500	6435	2600	7990	6049	2782	7650	5792	2886
	22	30	8028	5422	1500	10389	7031	1769	9602	6495	2100	9775	6629	2522	9435	6371	2626	8500	6178	2886	7905	6049	3042
	24	32	8579	5422	1522	11097	7031	1791	10231	6495	2123	10455	6629	2522	10030	6371	2652	8840	6307	2964	8075	6242	3146
1.5+1.5+ 5.0+5.0	12	18	6532	4648	1433	7398	6197	1702	6847	5720	2005	6970	5856	2392	6715	5599	2496	6290	5277	2678	6035	5020	2782
	14	20	6532	4648	1433	7949	6197	1702	7398	5780	2029	7480	5856	2418	7225	5663	2522	6715	5277	2704	6460	5084	2834
	16	22	6532	4946	1455	8500	6197	1724	7870	5780	2053	7990	5856	2444	7735	5663	2574	7225	5277	2756	6970	5084	2860
	18	25	7005	5303	1478	9051	6733	1746	8343	6257	2076	8500	6371	2470	8160	6114	2574	7650	5728	2782	7310	5470	2886
	19	27	7241	5482	1500	9366	7091	1769	8657	6555	2100	8840	6693	2496	8500	6435	2600	7990	6049	2782	7650	5792	2886
	22	30	8028	5422	1500	10389	7031	1769	9602	6495	2100	9775	6629	2522	9435	6371	2626	8500	6178	2886	7905	6049	3042
	24	32	8579	5422	1522	11097	7031	1791	10231	6495	2123	10455	6629	2522	10030	6371	2652	8840	6307	2964	8075	6242	3146
1.5+1.8+ 1.8+1.8	12	18	5303	3773	1031	6006	5031	1224	5558	4644	1442	5658	4754	1720	5451	4545	1795	5106	4284	1926	4899	4075	2001
	14	20	5303	3773	1031	6453	5031	1224	6006	4692	1459	6072	4754	1739	5865	4597	1814	5451	4284	1945	5244	4127	2038
	16	22	5303	4015	1047	6900	5031	1240	6389	4692	1476	6486	4754	1758	6279	4597	1851	5865	4284	1982	5658	4127	2057
	18	25	5686	4305	1063	7347	5466	1256	6772	5079	1493	6900	5172	1777	6624	4963	1851	6210	4649	2001	5934	4440	2076
	19	27	5878	4450	1079	7603	5756	1272	7028	5321	1510	7176	5433	1795	6900	5224	1870	6486	4911	2001	6210	4702	2076
	22	30	6517	4402	1079	8433	5708	1272	7794	5272	1510	7935	5381	1814	7659	5172	1889	6900	5015	2076	6417	4911	2188
	24	32	6964	4402	1095	9008	5708	1288	8306	5272	1527	8487	5381	1814	8142	5172	1907	7176	5120	2132	6555	5067	2263
1.5+1.8+ 1.8+2.5	12	18	5841	4156	1179	6615	5541	1401	6122	5115	1651	6232	5236	1969	6004	5006	2054	5624	4718	2204	5396	4488	2290
	14	20	5841	4156	1179	7107	5541	1401	6615	5168	1670	6688	5236	1990	6460	5064	2076	6004	4718	2226	5776	4546	2333
	16	22	5841	4422	1198	7600	5541	1419	7037	5168	1689	7144	5236	2012	6916	5064	2119	6460	4718	2268	6232	4546	2354
	18	25	6263	4742	1216	8093	6020	1437	7459	5594	1709	7600	5697	2033	7296	5466	2119	6840	5121	2290	6536	4891	2375
	19	27	6474	4902	1235	8374	6340	1456	7741	5861	1728	7904	5984	2054	7600	5754	2140	7144	5409	2290	6840	5179	2375
	22	30	7178	4848	1235	9289	6287	1456	8585	5807	1728	8740	5927	2076	8436	5697	2161	7600	5524	2375	7068	5409	2504
	24	32	7670	4848	1253	9922	6287	1474	9148	5807	1748	9348	5927	2076	8968	5697	2183	7904	5639	2440	7220	5581	2589
1.5+1.8+ 1.8+3.5	12	18	6532	4648	1405	7398	6197	1669	6847	5720	1967	6970	5856	2346	6715	5599	2448	6290	5277	2627	6035	5020	2729
	14	20	6532	4648	1405	7949	6197	1669	7398	5780	1990	7480	5856	2372	7225	5663	2474	6715	5277	2652	6460	5084	2780
	16	22	6532	4946	1427	8500	6197	1691	7870	5780	2013	7990	5856	2397	7735	5663	2525	7225	5277	2703	6970	5084	2805
	18	25	7005	5303	1449	9051	6733	1713	8343	6257	2036	8500	6371	2423	8160	6114	2525	7650	5728	2729	7310	5470	2831
	19	27	7241	5482	1471	9366	7091	1735	8657	6555	2059	8840	6693	2448	8500	6435	2550	7990	6049	2729	7650	5792	2831
	22	30	8028	5422	1471	10389	7031	1735	9602	6495	2059	9775	6629	2474	9435	6371	2576	8500	6178	2831	7905	6049	2984
	24	32	8579	5422	1493	11097	7031	1757	10231	6495	2083	10455	6629	2474	10030	6371	2601	8840	6307	2907	8075	6242	3086
1.5+1.8+ 1.8+5.0	12	18	6532	4648	1433	7398	6197	1702	6847	5720	2005	6970	5856	2392	6715	5599	2496	6290	5277	2678	6035	5020	2782
	14	20	6532	4648	1433	7949	6197	1702	7398	5780	2029	7480	5856	2418	7225	5663	2522	6715	5277	2704	6460	5084	2834
	16	22	6532	4946	1455	8500	6197	1724	7870	5780	2053	7990	5856	2444	7735	5663	2574	7225	5277	2756	6970	5084	2860
	18	25	7005	5303	1478	9051	6733	1746	8343	6257	2076	8500	6371	2470	8160	6114	2574	7650	5728	2782	7310	5470	2886
	19	27	7241	5482	1500	9366	7091	1769	8657	6555	2100	8840	6693	2496	8500	6435	2600	7990	6049	2782	7650	5792	2886
	22	30	8028	5422	1500	10389	7031	1769	9602	6495	2100	9775	6629	2522	9435	6371	2626	8500	6178	2886	7905	6049	3042
	24	32	8579	5422	1522	11097	7031	1791	10231	6495	2123	10455	6629	2522	10030	6371	2652	8840	6307	2964	8075	6242	3146
1.5+1.8+ 2.5+2.5	12	18	6379	4538	1510	7224	6051	1793	6686	5586	2113	6806	5718	2521	6557	5467	2630	6142	5153	2822	5893	4902	2932
	14	20	6379	4538	1510	7762	6051	1793	7224	5644	2138	7304	5718	2548	7055	5530	2658	6557	5153	2850	6308	4964	2987
	16	22	6379	4829	1534	8300	6051	1817	7685	5644	2163	7802	5718	2576	7553	5530	2713	7055	5153	2904	6806	4964	3014
	18	25	6840	5179	1557	8838	6575	1840	8146	6109	2188	8300	6221	2603	7968	5970	2713	7470	5593	2932	7138	5341	3041
	19	27	7070	5353	1581	9145	6924	1864	8454	6400	2213	8632	6535	2630	8300	6284	2740	7802	5907	2932	7470	5656	3041
	22	30	7839	5295	1581	10144	6866	1864	9376	6342	2213	9545	6473	2658	9213	6221	2767	8300	6033	3041	7719	5907	3206
	24	32	8377	5295	1604	10836	6866	1888	9991	6342	2238	10209	6473	2658	9794	6221	2795	8632	6158	3124	7885	6096	3315

	INDOOR		OUTDOOR TEMPERATURE (°CDB)																				
	EWB	EDB	-10			21			27			32			35			40			43		
	°C	°C	TC	SHC	PI	TC	SHC	PI	TC	SHC	PI	TC	SHC	PI	TC	SHC	PI	TC	SHC	PI	TC	SHC	PI
1.5+1.8+ 2.5+3.5	12	18	6532	4648	1433	7398	6197	1702	6847	5720	2005	6970	5856	2392	6715	5599	2496	6290	5277	2678	6035	5020	2782
	14	20	6532	4648	1433	7949	6197	1702	7398	5780	2029	7480	5856	2418	7225	5663	2522	6715	5277	2704	6460	5084	2834
	16	22	6532	4946	1455	8500	6197	1724	7870	5780	2053	7990	5856	2444	7735	5663	2574	7225	5277	2756	6970	5084	2860
	18	25	7005	5303	1478	9051	6733	1746	8343	6257	2076	8500	6371	2470	8160	6114	2574	7650	5728	2782	7310	5470	2886
	19	27	7241	5482	1500	9366	7091	1769	8657	6555	2100	8840	6693	2496	8500	6435	2600	7990	6049	2782	7650	5792	2886
	22	30	8028	5422	1500	10389	7031	1769	9602	6495	2100	9775	6629	2522	9435	6371	2626	8500	6178	2886	7905	6049	3042
	24	32	8579	5422	1522	11097	7031	1791	10231	6495	2123	10455	6629	2522	10030	6371	2652	8840	6307	2964	8075	6242	3146
1.5+1.8+ 2.5+5.0	12	18	6532	4648	1433	7398	6197	1702	6847	5720	2005	6970	5856	2392	6715	5599	2496	6290	5277	2678	6035	5020	2782
	14	20	6532	4648	1433	7949	6197	1702	7398	5780	2029	7480	5856	2418	7225	5663	2522	6715	5277	2704	6460	5084	2834
	16	22	6532	4946	1455	8500	6197	1724	7870	5780	2053	7990	5856	2444	7735	5663	2574	7225	5277	2756	6970	5084	2860
	18	25	7005	5303	1478	9051	6733	1746	8343	6257	2076	8500	6371	2470	8160	6114	2574	7650	5728	2782	7310	5470	2886
	19	27	7241	5482	1500	9366	7091	1769	8657	6555	2100	8840	6693	2496	8500	6435	2600	7990	6049	2782	7650	5792	2886
	22	30	8028	5422	1500	10389	7031	1769	9602	6495	2100	9775	6629	2522	9435	6371	2626	8500	6178	2886	7905	6049	3042
	24	32	8579	5422	1522	11097	7031	1791	10231	6495	2123	10455	6629	2522	10030	6371	2652	8840	6307	2964	8075	6242	3146
1.5+1.8+ 3.5+3.5	12	18	6532	4648	1433	7398	6197	1702	6847	5720	2005	6970	5856	2392	6715	5599	2496	6290	5277	2678	6035	5020	2782
	14	20	6532	4648	1433	7949	6197	1702	7398	5780	2029	7480	5856	2418	7225	5663	2522	6715	5277	2704	6460	5084	2834
	16	22	6532	4946	1455	8500	6197	1724	7870	5780	2053	7990	5856	2444	7735	5663	2574	7225	5277	2756	6970	5084	2860
	18	25	7005	5303	1478	9051	6733	1746	8343	6257	2076	8500	6371	2470	8160	6114	2574	7650	5728	2782	7310	5470	2886
	19	27	7241	5482	1500	9366	7091	1769	8657	6555	2100	8840	6693	2496	8500	6435	2600	7990	6049	2782	7650	5792	2886
	22	30	8028	5422	1500	10389	7031	1769	9602	6495	2100	9775	6629	2522	9435	6371	2626	8500	6178	2886	7905	6049	3042
	24	32	8579	5422	1522	11097	7031	1791	10231	6495	2123	10455	6629	2522	10030	6371	2652	8840	6307	2964	8075	6242	3146
1.5+1.8+ 3.5+5.0	12	18	6532	4648	1433	7398	6197	1702	6847	5720	2005	6970	5856	2392	6715	5599	2496	6290	5277	2678	6035	5020	2782
	14	20	6532	4648	1433	7949	6197	1702	7398	5780	2029	7480	5856	2418	7225	5663	2522	6715	5277	2704	6460	5084	2834
	16	22	6532	4946	1455	8500	6197	1724	7870	5780	2053	7990	5856	2444	7735	5663	2574	7225	5277	2756	6970	5084	2860
	18	25	7005	5303	1478	9051	6733	1746	8343	6257	2076	8500	6371	2470	8160	6114	2574	7650	5728	2782	7310	5470	2886
	19	27	7241	5482	1500	9366	7091	1769	8657	6555	2100	8840	6693	2496	8500	6435	2600	7990	6049	2782	7650	5792	2886
	22	30	8028	5422	1500	10389	7031	1769	9602	6495	2100	9775	6629	2522	9435	6371	2626	8500	6178	2886	7905	6049	3042
	24	32	8579	5422	1522	11097	7031	1791	10231	6495	2123	10455	6629	2522	10030	6371	2652	8840	6307	2964	8075	6242	3146
1.5+2.5+ 2.5+2.5	12	18	6532	4648	1438	7398	6197	1708	6847	5720	2013	6970	5856	2401	6715	5599	2506	6290	5277	2688	6035	5020	2793
	14	20	6532	4648	1438	7949	6197	1708	7398	5780	2037	7480	5856	2427	7225	5663	2532	6715	5277	2714	6460	5084	2845
	16	22	6532	4946	1461	8500	6197	1731	7870	5780	2060	7990	5856	2453	7735	5663	2584	7225	5277	2767	6970	5084	2871
	18	25	7005	5303	1483	9051	6733	1753	8343	6257	2084	8500	6371	2480	8160	6114	2584	7650	5728	2793	7310	5470	2897
	19	27	7241	5482	1506	9366	7091	1776	8657	6555	2108	8840	6693	2506	8500	6435	2610	7990	6049	2793	7650	5792	2897
	22	30	8028	5422	1506	10389	7031	1776	9602	6495	2108	9775	6629	2532	9435	6371	2636	8500	6178	2897	7905	6049	3054
	24	32	8579	5422	1528	11097	7031	1798	10231	6495	2132	10455	6629	2532	10030	6371	2662	8840	6307	2975	8075	6242	3158
1.5+2.5+ 2.5+3.5	12	18	6532	4648	1433	7398	6197	1702	6847	5720	2005	6970	5856	2392	6715	5599	2496	6290	5277	2678	6035	5020	2782
	14	20	6532	4648	1433	7949	6197	1702	7398	5780	2029	7480	5856	2418	7225	5663	2522	6715	5277	2704	6460	5084	2834
	16	22	6532	4946	1455	8500	6197	1724	7870	5780	2053	7990	5856	2444	7735	5663	2574	7225	5277	2756	6970	5084	2860
	18	25	7005	5303	1478	9051	6733	1746	8343	6257	2076	8500	6371	2470	8160	6114	2574	7650	5728	2782	7310	5470	2886
	19	27	7241	5482	1500	9366	7091	1769	8657	6555	2100	8840	6693	2496	8500	6435	2600	7990	6049	2782	7650	5792	2886
	22	30	8028	5422	1500	10389	7031	1769	9602	6495	2100	9775	6629	2522	9435	6371	2626	8500	6178	2886	7905	6049	3042
	24	32	8579	5422	1522	11097	7031	1791	10231	6495	2123	10455	6629	2522	10030	6371	2652	8840	6307	2964	8075	6242	3146



	INDOOR		OUTDOOR TEMPERATURE (°CDB)																				
	EWB	EDB	-10			21			27			32			35			40			43		
	°C	°C	TC	SHC	PI	TC	SHC	PI	TC	SHC	PI	TC	SHC	PI	TC	SHC	PI	TC	SHC	PI	TC	SHC	PI
1.8+1.8+ 1.8+1.8	12	18	5533	3937	992	6267	5249	1178	5800	4846	1388	5904	4961	1656	5688	4743	1728	5328	4470	1854	5112	4252	1926
	14	20	5533	3937	992	6733	5249	1178	6267	4896	1405	6336	4961	1674	6120	4797	1746	5688	4470	1872	5472	4306	1962
	16	22	5533	4189	1008	7200	5249	1194	6667	4896	1421	6768	4961	1692	6552	4797	1782	6120	4470	1908	5904	4306	1980
	18	25	5933	4492	1023	7667	5704	1209	7067	5300	1437	7200	5397	1710	6912	5179	1782	6480	4852	1926	6192	4634	1998
	19	27	6133	4644	1039	7933	6006	1225	7333	5552	1454	7488	5669	1728	7200	5451	1800	6768	5124	1926	6480	4906	1998
	22	30	6800	4593	1039	8800	5956	1225	8133	5502	1454	8280	5615	1746	7992	5397	1818	7200	5233	1998	6696	5124	2106
	24	32	7267	4593	1054	9400	5956	1240	8667	5502	1470	8856	5615	1746	8496	5397	1836	7488	5342	2052	6840	5288	2178
1.8+1.8+ 1.8+2.5	12	18	6071	4320	1152	6876	5760	1368	6364	5317	1612	6478	5443	1923	6241	5204	2006	5846	4905	2153	5609	4665	2236
	14	20	6071	4320	1152	7388	5760	1368	6876	5372	1631	6952	5443	1944	6715	5263	2027	6241	4905	2174	6004	4725	2278
	16	22	6071	4597	1170	7900	5760	1386	7315	5372	1650	7426	5443	1965	7189	5263	2069	6715	4905	2215	6478	4725	2299
	18	25	6510	4929	1188	8412	6258	1404	7754	5815	1669	7900	5921	1986	7584	5682	2069	7110	5323	2236	6794	5084	2320
	19	27	6730	5095	1206	8705	6590	1422	8046	6092	1688	8216	6220	2006	7900	5981	2090	7426	5622	2236	7110	5383	2320
	22	30	7461	5040	1206	9656	6535	1422	8924	6037	1688	9085	6161	2027	8769	5921	2111	7900	5742	2320	7347	5622	2445
	24	32	7973	5040	1224	10314	6535	1440	9509	6037	1707	9717	6161	2027	9322	5921	2132	8216	5862	2383	7505	5802	2529
1.8+1.8+ 1.8+3.5	12	18	6532	4648	1331	7398	6197	1580	6847	5720	1863	6970	5856	2222	6715	5599	2318	6290	5277	2487	6035	5020	2584
	14	20	6532	4648	1331	7949	6197	1580	7398	5780	1885	7480	5856	2246	7225	5663	2343	6715	5277	2512	6460	5084	2632
	16	22	6532	4946	1352	8500	6197	1601	7870	5780	1907	7990	5856	2270	7735	5663	2391	7225	5277	2560	6970	5084	2657
	18	25	7005	5303	1373	9051	6733	1622	8343	6257	1928	8500	6371	2294	8160	6114	2391	7650	5728	2584	7310	5470	2681
	19	27	7241	5482	1393	9366	7091	1643	8657	6555	1950	8840	6693	2318	8500	6435	2415	7990	6049	2584	7650	5792	2681
	22	30	8028	5422	1393	10389	7031	1643	9602	6495	1950	9775	6629	2343	9435	6371	2439	8500	6178	2681	7905	6049	2826
	24	32	8579	5422	1414	11097	7031	1664	10231	6495	1972	10455	6629	2343	10030	6371	2463	8840	6307	2753	8075	6242	2922
1.8+1.8+ 1.8+5.0	12	18	6532	4648	1317	7398	6197	1564	6847	5720	1843	6970	5856	2199	6715	5599	2294	6290	5277	2462	6035	5020	2557
	14	20	6532	4648	1317	7949	6197	1564	7398	5780	1865	7480	5856	2223	7225	5663	2318	6715	5277	2486	6460	5084	2605
	16	22	6532	4946	1338	8500	6197	1585	7870	5780	1887	7990	5856	2247	7735	5663	2366	7225	5277	2533	6970	5084	2629
	18	25	7005	5303	1358	9051	6733	1605	8343	6257	1908	8500	6371	2271	8160	6114	2366	7650	5728	2557	7310	5470	2653
	19	27	7241	5482	1379	9366	7091	1626	8657	6555	1930	8840	6693	2294	8500	6435	2390	7990	6049	2557	7650	5792	2653
	22	30	8028	5422	1379	10389	7031	1626	9602	6495	1930	9775	6629	2318	9435	6371	2414	8500	6178	2653	7905	6049	2796
	24	32	8579	5422	1399	11097	7031	1646	10231	6495	1952	10455	6629	2318	10030	6371	2438	8840	6307	2725	8075	6242	2892
1.8+1.8+ 2.5+2.5	12	18	6532	4648	1279	7398	6197	1518	6847	5720	1789	6970	5856	2134	6715	5599	2227	6290	5277	2390	6035	5020	2482
	14	20	6532	4648	1279	7949	6197	1518	7398	5780	1810	7480	5856	2158	7225	5663	2250	6715	5277	2413	6460	5084	2529
	16	22	6532	4946	1299	8500	6197	1538	7870	5780	1832	7990	5856	2181	7735	5663	2297	7225	5277	2459	6970	5084	2552
	18	25	7005	5303	1319	9051	6733	1558	8343	6257	1853	8500	6371	2204	8160	6114	2297	7650	5728	2482	7310	5470	2575
	19	27	7241	5482	1339	9366	7091	1578	8657	6555	1874	8840	6693	2227	8500	6435	2320	7990	6049	2482	7650	5792	2575
	22	30	8028	5422	1339	10389	7031	1578	9602	6495	1874	9775	6629	2250	9435	6371	2343	8500	6178	2575	7905	6049	2714
	24	32	8579	5422	1358	11097	7031	1598	10231	6495	1895	10455	6629	2250	10030	6371	2366	8840	6307	2645	8075	6242	2807
1.8+1.8+ 2.5+3.5	12	18	6532	4648	1317	7398	6197	1564	6847	5720	1843	6970	5856	2199	6715	5599	2294	6290	5277	2462	6035	5020	2557
	14	20	6532	4648	1317	7949	6197	1564	7398	5780	1865	7480	5856	2223	7225	5663	2318	6715	5277	2486	6460	5084	2605
	16	22	6532	4946	1338	8500	6197	1585	7870	5780	1887	7990	5856	2247	7735	5663	2366	7225	5277	2533	6970	5084	2629
	18	25	7005	5303	1358	9051	6733	1605	8343	6257	1908	8500	6371	2271	8160	6114	2366	7650	5728	2557	7310	5470	2653
	19	27	7241	5482	1379	9366	7091	1626	8657	6555	1930	8840	6693	2294	8500	6435	2390	7990	6049	2557	7650	5792	2653
	22	30	8028	5422	1379	10389	7031	1626	9602	6495	1930	9775	6629	2318	9435	6371	2414	8500	6178	2653	7905	6049	2796
	24	32	8579	5422	1399	11097	7031	1646	10231	6495	1952	10455	6629	2318	10030	6371	2438	8840	6307	2725	8075	6242	2892
1.8+1.8+ 2.5+5.0	12	18	6532	4648	1317	7398	6197	1564	6847	5720	1843	6970	5856	2199	6715	5599	2294	6290	5277	2462	6035	5020	2557
	14	20	6532	4648	1317	7949	6197	1564	7398	5780	1865	7480	5856	2223	7225	5663	2318	6715	5277	2486	6460	5084	2605
	16	22	6532	4946	1338	8500	6197	1585	7870	5780	1887	7990	5856	2247	7735	5663	2366	7225	5277	2533	6970	5084	2629
	18	25	7005	5303	1358	9051	6733	1605	8343	6257	1908	8500	6371	2271	8160	6114	2366	7650	5728	2557	7310	5470	2653
	19	27	7241	5482	1379	9366	7091	1626	8657	6555	1930	8840	6693	2294	8500	6435	2390	7990	6049	2557	7650	5792	2653
	22	30	8028	5422	1379	10389	7031	1626	9602	6495	1930	9775	6629	2318	9435	6371	2414	8500	6178	2653	7905	6049	2796
	24	32	8579	5422	1399	11097	7031	1646	10231	6495	1952	10455	6629	2318	10030	6371	2438	8840	6307	2725	8075	6242	2892

	INDOOR		OUTDOOR TEMPERATURE (°CDB)																				
	EWB	EDB	-10			21			27			32			35			40			43		
	°C	°C	TC	SHC	PI	TC	SHC	PI	TC	SHC	PI	TC	SHC	PI	TC	SHC	PI	TC	SHC	PI	TC	SHC	PI
1.8+1.8+ 3.5+3.5	12	18	6532	4648	1317	7398	6197	1564	6847	5720	1843	6970	5856	2199	6715	5599	2294	6290	5277	2462	6035	5020	2557
	14	20	6532	4648	1317	7949	6197	1564	7398	5780	1865	7480	5856	2223	7225	5663	2318	6715	5277	2486	6460	5084	2605
	16	22	6532	4946	1338	8500	6197	1585	7870	5780	1887	7990	5856	2247	7735	5663	2366	7225	5277	2533	6970	5084	2629
	18	25	7005	5303	1358	9051	6733	1605	8343	6257	1908	8500	6371	2271	8160	6114	2366	7650	5728	2557	7310	5470	2653
	19	27	7241	5482	1379	9366	7091	1626	8657	6555	1930	8840	6693	2294	8500	6435	2390	7990	6049	2557	7650	5792	2653
	22	30	8028	5422	1379	10389	7031	1626	9602	6495	1930	9775	6629	2318	9435	6371	2414	8500	6178	2653	7905	6049	2796
	24	32	8579	5422	1399	11097	7031	1646	10231	6495	1952	10455	6629	2318	10030	6371	2438	8840	6307	2725	8075	6242	2892
1.8+1.8+ 3.5+5.0	12	18	6532	4648	1317	7398	6197	1564	6847	5720	1843	6970	5856	2199	6715	5599	2294	6290	5277	2462	6035	5020	2557
	14	20	6532	4648	1317	7949	6197	1564	7398	5780	1865	7480	5856	2223	7225	5663	2318	6715	5277	2486	6460	5084	2605
	16	22	6532	4946	1338	8500	6197	1585	7870	5780	1887	7990	5856	2247	7735	5663	2366	7225	5277	2533	6970	5084	2629
	18	25	7005	5303	1358	9051	6733	1605	8343	6257	1908	8500	6371	2271	8160	6114	2366	7650	5728	2557	7310	5470	2653
	19	27	7241	5482	1379	9366	7091	1626	8657	6555	1930	8840	6693	2294	8500	6435	2390	7990	6049	2557	7650	5792	2653
	22	30	8028	5422	1379	10389	7031	1626	9602	6495	1930	9775	6629	2318	9435	6371	2414	8500	6178	2653	7905	6049	2796
	24	32	8579	5422	1399	11097	7031	1646	10231	6495	1952	10455	6629	2318	10030	6371	2438	8840	6307	2725	8075	6242	2892
1.8+1.8+ 5.0+5.0	12	18	6532	4648	1306	7398	6197	1551	6847	5720	1828	6970	5856	2180	6715	5599	2275	6290	5277	2441	6035	5020	2536
	14	20	6532	4648	1306	7949	6197	1551	7398	5780	1849	7480	5856	2204	7225	5663	2299	6715	5277	2465	6460	5084	2583
	16	22	6532	4946	1327	8500	6197	1571	7870	5780	1871	7990	5856	2228	7735	5663	2346	7225	5277	2512	6970	5084	2607
	18	25	7005	5303	1347	9051	6733	1592	8343	6257	1892	8500	6371	2252	8160	6114	2346	7650	5728	2536	7310	5470	2631
	19	27	7241	5482	1367	9366	7091	1612	8657	6555	1914	8840	6693	2275	8500	6435	2370	7990	6049	2536	7650	5792	2631
	22	30	8028	5422	1367	10389	7031	1612	9602	6495	1914	9775	6629	2299	9435	6371	2394	8500	6178	2631	7905	6049	2773
	24	32	8579	5422	1388	11097	7031	1633	10231	6495	1936	10455	6629	2299	10030	6371	2417	8840	6307	2702	8075	6242	2868
1.8+2.5+ 2.5+2.5	12	18	6532	4648	1317	7398	6197	1564	6847	5720	1843	6970	5856	2199	6715	5599	2294	6290	5277	2462	6035	5020	2557
	14	20	6532	4648	1317	7949	6197	1564	7398	5780	1865	7480	5856	2223	7225	5663	2318	6715	5277	2486	6460	5084	2605
	16	22	6532	4946	1338	8500	6197	1585	7870	5780	1887	7990	5856	2247	7735	5663	2366	7225	5277	2533	6970	5084	2629
	18	25	7005	5303	1358	9051	6733	1605	8343	6257	1908	8500	6371	2271	8160	6114	2366	7650	5728	2557	7310	5470	2653
	19	27	7241	5482	1379	9366	7091	1626	8657	6555	1930	8840	6693	2294	8500	6435	2390	7990	6049	2557	7650	5792	2653
	22	30	8028	5422	1379	10389	7031	1626	9602	6495	1930	9775	6629	2318	9435	6371	2414	8500	6178	2653	7905	6049	2796
	24	32	8579	5422	1399	11097	7031	1646	10231	6495	1952	10455	6629	2318	10030	6371	2438	8840	6307	2725	8075	6242	2892
1.8+2.5+ 2.5+3.5	12	18	6532	4648	1317	7398	6197	1564	6847	5720	1843	6970	5856	2199	6715	5599	2294	6290	5277	2462	6035	5020	2557
	14	20	6532	4648	1317	7949	6197	1564	7398	5780	1865	7480	5856	2223	7225	5663	2318	6715	5277	2486	6460	5084	2605
	16	22	6532	4946	1338	8500	6197	1585	7870	5780	1887	7990	5856	2247	7735	5663	2366	7225	5277	2533	6970	5084	2629
	18	25	7005	5303	1358	9051	6733	1605	8343	6257	1908	8500	6371	2271	8160	6114	2366	7650	5728	2557	7310	5470	2653
	19	27	7241	5482	1379	9366	7091	1626	8657	6555	1930	8840	6693	2294	8500	6435	2390	7990	6049	2557	7650	5792	2653
	22	30	8028	5422	1379	10389	7031	1626	9602	6495	1930	9775	6629	2318	9435	6371	2414	8500	6178	2653	7905	6049	2796
	24	32	8579	5422	1399	11097	7031	1646	10231	6495	1952	10455	6629	2318	10030	6371	2438	8840	6307	2725	8075	6242	2892
1.8+2.5+ 2.5+5.0	12	18	6532	4648	1317	7398	6197	1564	6847	5720	1843	6970	5856	2199	6715	5599	2294	6290	5277	2462	6035	5020	2557
	14	20	6532	4648	1317	7949	6197	1564	7398	5780	1865	7480	5856	2223	7225	5663	2318	6715	5277	2486	6460	5084	2605
	16	22	6532	4946	1338	8500	6197	1585	7870	5780	1887	7990	5856	2247	7735	5663	2366	7225	5277	2533	6970	5084	2629
	18	25	7005	5303	1358	9051	6733	1605	8343	6257	1908	8500	6371	2271	8160	6114	2366	7650	5728	2557	7310	5470	2653
	19	27	7241	5482	1379	9366	7091	1626	8657	6555	1930	8840	6693	2294	8500	6435	2390	7990	6049	2557	7650	5792	2653
	22	30	8028	5422	1379	10389	7031	1626	9602	6495	1930	9775	6629	2318	9435	6371	2414	8500	6178	2653	7905	6049	2796
	24	32	8579	5422	1399	11097	7031	1646	10231	6495	1952	10455	6629	2318	10030	6371	2438	8840	6307	2725	8075	6242	2892
1.8+2.5+ 3.5+3.5	12	18	6532	4648	1317	7398	6197	1564	6847	5720	1843	6970	5856	2199	6715	5599	2294	6290	5277	2462	6035	5020	2557
	14	20	6532	4648	1317	7949	6197	1564	7398	5780	1865	7480	5856	2223	7225	5663	2318	6715	5277	2486	6460	5084	2605
	16	22	6532	4946	1338	8500	6197	1585	7870	5780	1887	7990	5856	2247	7735	5663	2366	7225	5277	2533	6970	5084	2629
	18	25	7005	5303	1358	9051	6733	1605	8343	6257	1908	8500	6371	2271	8160	6114	2366	7650	5728	2557	7310	5470	2653
	19	27	7241	5482	1379	9366	7091	1626	8657	6555	1930	8840	6693	2294	8500	6435	2390	7990	6049	2557	7650	5792	2653
	22	30	8028	5422	1379	10389	7031	1626	9602	6495	1930	9775	6629	2318	9435	6371	2414	8500	6178	2653	7905	6049	2796
	24	32	8579	5422	1399	11097	7031	1646	10231	6495	1952	10455	6629	2318	10030	6371	2438	8840	6307	2725	8075	6242	2892



	INDOOR		OUTDOOR TEMPERATURE (°CDB)																				
	EWB	EDB	-10			21			27			32			35			40			43		
	°C	°C	TC	SHC	PI	TC	SHC	PI	TC	SHC	PI	TC	SHC	PI	TC	SHC	PI	TC	SHC	PI	TC	SHC	PI
1.8+2.5+ 3.5+5.0	12	18	6532	4648	1317	7398	6197	1564	6847	5720	1843	6970	5856	2199	6715	5599	2294	6290	5277	2462	6035	5020	2557
	14	20	6532	4648	1317	7949	6197	1564	7398	5780	1865	7480	5856	2223	7225	5663	2318	6715	5277	2486	6460	5084	2605
	16	22	6532	4946	1338	8500	6197	1585	7870	5780	1887	7990	5856	2247	7735	5663	2366	7225	5277	2533	6970	5084	2629
	18	25	7005	5303	1358	9051	6733	1605	8343	6257	1908	8500	6371	2271	8160	6114	2366	7650	5728	2557	7310	5470	2653
	19	27	7241	5482	1379	9366	7091	1626	8657	6555	1930	8840	6693	2294	8500	6435	2390	7990	6049	2557	7650	5792	2653
	22	30	8028	5422	1379	10389	7031	1626	9602	6495	1930	9775	6629	2318	9435	6371	2414	8500	6178	2653	7905	6049	2796
	24	32	8579	5422	1399	11097	7031	1646	10231	6495	1952	10455	6629	2318	10030	6371	2438	8840	6307	2725	8075	6242	2892
1.8+2.5+ 5.0+5.0	12	18	6532	4648	1306	7398	6197	1551	6847	5720	1828	6970	5856	2180	6715	5599	2275	6290	5277	2441	6035	5020	2536
	14	20	6532	4648	1306	7949	6197	1551	7398	5780	1849	7480	5856	2204	7225	5663	2299	6715	5277	2465	6460	5084	2583
	16	22	6532	4946	1327	8500	6197	1571	7870	5780	1871	7990	5856	2228	7735	5663	2346	7225	5277	2512	6970	5084	2607
	18	25	7005	5303	1347	9051	6733	1592	8343	6257	1892	8500	6371	2252	8160	6114	2346	7650	5728	2536	7310	5470	2631
	19	27	7241	5482	1367	9366	7091	1612	8657	6555	1914	8840	6693	2275	8500	6435	2370	7990	6049	2536	7650	5792	2631
	22	30	8028	5422	1367	10389	7031	1612	9602	6495	1914	9775	6629	2299	9435	6371	2394	8500	6178	2631	7905	6049	2773
	24	32	8579	5422	1388	11097	7031	1633	10231	6495	1936	10455	6629	2299	10030	6371	2417	8840	6307	2702	8075	6242	2868
1.8+3.5+ 3.5+3.5	12	18	6532	4648	1317	7398	6197	1564	6847	5720	1843	6970	5856	2199	6715	5599	2294	6290	5277	2462	6035	5020	2557
	14	20	6532	4648	1317	7949	6197	1564	7398	5780	1865	7480	5856	2223	7225	5663	2318	6715	5277	2486	6460	5084	2605
	16	22	6532	4946	1338	8500	6197	1585	7870	5780	1887	7990	5856	2247	7735	5663	2366	7225	5277	2533	6970	5084	2629
	18	25	7005	5303	1358	9051	6733	1605	8343	6257	1908	8500	6371	2271	8160	6114	2366	7650	5728	2557	7310	5470	2653
	19	27	7241	5482	1379	9366	7091	1626	8657	6555	1930	8840	6693	2294	8500	6435	2390	7990	6049	2557	7650	5792	2653
	22	30	8028	5422	1379	10389	7031	1626	9602	6495	1930	9775	6629	2318	9435	6371	2414	8500	6178	2653	7905	6049	2796
	24	32	8579	5422	1399	11097	7031	1646	10231	6495	1952	10455	6629	2318	10030	6371	2438	8840	6307	2725	8075	6242	2892
1.8+3.5+ 3.5+5.0	12	18	6532	4648	1317	7398	6197	1564	6847	5720	1843	6970	5856	2199	6715	5599	2294	6290	5277	2462	6035	5020	2557
	14	20	6532	4648	1317	7949	6197	1564	7398	5780	1865	7480	5856	2223	7225	5663	2318	6715	5277	2486	6460	5084	2605
	16	22	6532	4946	1338	8500	6197	1585	7870	5780	1887	7990	5856	2247	7735	5663	2366	7225	5277	2533	6970	5084	2629
	18	25	7005	5303	1358	9051	6733	1605	8343	6257	1908	8500	6371	2271	8160	6114	2366	7650	5728	2557	7310	5470	2653
	19	27	7241	5482	1379	9366	7091	1626	8657	6555	1930	8840	6693	2294	8500	6435	2390	7990	6049	2557	7650	5792	2653
	22	30	8028	5422	1379	10389	7031	1626	9602	6495	1930	9775	6629	2318	9435	6371	2414	8500	6178	2653	7905	6049	2796
	24	32	8579	5422	1399	11097	7031	1646	10231	6495	1952	10455	6629	2318	10030	6371	2438	8840	6307	2725	8075	6242	2892
1.8+3.5+ 5.0+5.0	12	18	6532	4648	1306	7398	6197	1551	6847	5720	1828	6970	5856	2180	6715	5599	2275	6290	5277	2441	6035	5020	2536
	14	20	6532	4648	1306	7949	6197	1551	7398	5780	1849	7480	5856	2204	7225	5663	2299	6715	5277	2465	6460	5084	2583
	16	22	6532	4946	1327	8500	6197	1571	7870	5780	1871	7990	5856	2228	7735	5663	2346	7225	5277	2512	6970	5084	2607
	18	25	7005	5303	1347	9051	6733	1592	8343	6257	1892	8500	6371	2252	8160	6114	2346	7650	5728	2536	7310	5470	2631
	19	27	7241	5482	1367	9366	7091	1612	8657	6555	1914	8840	6693	2275	8500	6435	2370	7990	6049	2536	7650	5792	2631
	22	30	8028	5422	1367	10389	7031	1612	9602	6495	1914	9775	6629	2299	9435	6371	2394	8500	6178	2631	7905	6049	2773
	24	32	8579	5422	1388	11097	7031	1633	10231	6495	1936	10455	6629	2299	10030	6371	2417	8840	6307	2702	8075	6242	2868
2.5+2.5+ 2.5+2.5	12	18	6532	4648	1306	7398	6197	1551	6847	5720	1828	6970	5856	2180	6715	5599	2275	6290	5277	2441	6035	5020	2536
	14	20	6532	4648	1306	7949	6197	1551	7398	5780	1849	7480	5856	2204	7225	5663	2299	6715	5277	2465	6460	5084	2583
	16	22	6532	4946	1327	8500	6197	1571	7870	5780	1871	7990	5856	2228	7735	5663	2346	7225	5277	2512	6970	5084	2607
	18	25	7005	5303	1347	9051	6733	1592	8343	6257	1892	8500	6371	2252	8160	6114	2346	7650	5728	2536	7310	5470	2631
	19	27	7241	5482	1367	9366	7091	1612	8657	6555	1914	8840	6693	2275	8500	6435	2370	7990	6049	2536	7650	5792	2631
	22	30	8028	5422	1367	10389	7031	1612	9602	6495	1914	9775	6629	2299	9435	6371	2394	8500	6178	2631	7905	6049	2773
	24	32	8579	5422	1388	11097	7031	1633	10231	6495	1936	10455	6629	2299	10030	6371	2417	8840	6307	2702	8075	6242	2868
2.5+2.5+ 2.5+3.5	12	18	6532	4648	1306	7398	6197	1551	6847	5720	1828	6970	5856	2180	6715	5599	2275	6290	5277	2441	6035	5020	2536
	14	20	6532	4648	1306	7949	6197	1551	7398	5780	1849	7480	5856	2204	7225	5663	2299	6715	5277	2465	6460	5084	2583
	16	22	6532	4946	1327	8500	6197	1571	7870	5780	1871	7990	5856	2228	7735	5663	2346	7225	5277	2512	6970	5084	2607
	18	25	7005	5303	1347	9051	6733	1592	8343	6257	1892	8500	6371	2252	8160	6114	2346	7650	5728	2536	7310	5470	2631
	19	27	7241	5482	1367	9366	7091	1612	8657	6555	1914	8840	6693	2275	8500	6435	2370	7990	6049	2536	7650	5792	2631
	22	30	8028	5422	1367	10389	7031	1612	9602	6495	1914	9775	6629	2299	9435	6371	2394	8500	6178	2631	7905	6049	2773
	24	32	8579	5422	1388	11097	7031	1633	10231	6495	1936	10455	6629	2299	10030	6371	2417	8840	6307	2702	8075	6242	2868

	INDOOR		OUTDOOR TEMPERATURE (°CDB)																				
	EWB	EDB	-10			21			27			32			35			40			43		
	°C	°C	TC	SHC	PI	TC	SHC	PI	TC	SHC	PI	TC	SHC	PI	TC	SHC	PI	TC	SHC	PI	TC	SHC	PI
2.5+2.5+ 2.5+5.0	12	18	6532	4648	1306	7398	6197	1551	6847	5720	1828	6970	5856	2180	6715	5599	2275	6290	5277	2441	6035	5020	2536
	14	20	6532	4648	1306	7949	6197	1551	7398	5780	1849	7480	5856	2204	7225	5663	2299	6715	5277	2465	6460	5084	2583
	16	22	6532	4946	1327	8500	6197	1571	7870	5780	1871	7990	5856	2228	7735	5663	2346	7225	5277	2512	6970	5084	2607
	18	25	7005	5303	1347	9051	6733	1592	8343	6257	1892	8500	6371	2252	8160	6114	2346	7650	5728	2536	7310	5470	2631
	19	27	7241	5482	1367	9366	7091	1612	8657	6555	1914	8840	6693	2275	8500	6435	2370	7990	6049	2536	7650	5792	2631
	22	30	8028	5422	1367	10389	7031	1612	9602	6495	1914	9775	6629	2299	9435	6371	2394	8500	6178	2631	7905	6049	2773
	24	32	8579	5422	1388	11097	7031	1633	10231	6495	1936	10455	6629	2299	10030	6371	2417	8840	6307	2702	8075	6242	2868
2.5+2.5+ 3.5+3.5	12	18	6532	4648	1306	7398	6197	1551	6847	5720	1828	6970	5856	2180	6715	5599	2275	6290	5277	2441	6035	5020	2536
	14	20	6532	4648	1306	7949	6197	1551	7398	5780	1849	7480	5856	2204	7225	5663	2299	6715	5277	2465	6460	5084	2583
	16	22	6532	4946	1327	8500	6197	1571	7870	5780	1871	7990	5856	2228	7735	5663	2346	7225	5277	2512	6970	5084	2607
	18	25	7005	5303	1347	9051	6733	1592	8343	6257	1892	8500	6371	2252	8160	6114	2346	7650	5728	2536	7310	5470	2631
	19	27	7241	5482	1367	9366	7091	1612	8657	6555	1914	8840	6693	2275	8500	6435	2370	7990	6049	2536	7650	5792	2631
	22	30	8028	5422	1367	10389	7031	1612	9602	6495	1914	9775	6629	2299	9435	6371	2394	8500	6178	2631	7905	6049	2773
	24	32	8579	5422	1388	11097	7031	1633	10231	6495	1936	10455	6629	2299	10030	6371	2417	8840	6307	2702	8075	6242	2868
2.5+2.5+ 3.5+5.0	12	18	6532	4648	1306	7398	6197	1551	6847	5720	1828	6970	5856	2180	6715	5599	2275	6290	5277	2441	6035	5020	2536
	14	20	6532	4648	1306	7949	6197	1551	7398	5780	1849	7480	5856	2204	7225	5663	2299	6715	5277	2465	6460	5084	2583
	16	22	6532	4946	1327	8500	6197	1571	7870	5780	1871	7990	5856	2228	7735	5663	2346	7225	5277	2512	6970	5084	2607
	18	25	7005	5303	1347	9051	6733	1592	8343	6257	1892	8500	6371	2252	8160	6114	2346	7650	5728	2536	7310	5470	2631
	19	27	7241	5482	1367	9366	7091	1612	8657	6555	1914	8840	6693	2275	8500	6435	2370	7990	6049	2536	7650	5792	2631
	22	30	8028	5422	1367	10389	7031	1612	9602	6495	1914	9775	6629	2299	9435	6371	2394	8500	6178	2631	7905	6049	2773
	24	32	8579	5422	1388	11097	7031	1633	10231	6495	1936	10455	6629	2299	10030	6371	2417	8840	6307	2702	8075	6242	2868
2.5+2.5+ 5.0+5.0	12	18	6532	4648	1306	7398	6197	1551	6847	5720	1828	6970	5856	2180	6715	5599	2275	6290	5277	2441	6035	5020	2536
	14	20	6532	4648	1306	7949	6197	1551	7398	5780	1849	7480	5856	2204	7225	5663	2299	6715	5277	2465	6460	5084	2583
	16	22	6532	4946	1327	8500	6197	1571	7870	5780	1871	7990	5856	2228	7735	5663	2346	7225	5277	2512	6970	5084	2607
	18	25	7005	5303	1347	9051	6733	1592	8343	6257	1892	8500	6371	2252	8160	6114	2346	7650	5728	2536	7310	5470	2631
	19	27	7241	5482	1367	9366	7091	1612	8657	6555	1914	8840	6693	2275	8500	6435	2370	7990	6049	2536	7650	5792	2631
	22	30	8028	5422	1367	10389	7031	1612	9602	6495	1914	9775	6629	2299	9435	6371	2394	8500	6178	2631	7905	6049	2773
	24	32	8579	5422	1388	11097	7031	1633	10231	6495	1936	10455	6629	2299	10030	6371	2417	8840	6307	2702	8075	6242	2868
2.5+3.5+ 3.5+3.5	12	18	6532	4648	1317	7398	6197	1564	6847	5720	1843	6970	5856	2199	6715	5599	2294	6290	5277	2462	6035	5020	2557
	14	20	6532	4648	1317	7949	6197	1564	7398	5780	1865	7480	5856	2223	7225	5663	2318	6715	5277	2486	6460	5084	2605
	16	22	6532	4946	1338	8500	6197	1585	7870	5780	1887	7990	5856	2247	7735	5663	2366	7225	5277	2533	6970	5084	2629
	18	25	7005	5303	1358	9051	6733	1605	8343	6257	1908	8500	6371	2271	8160	6114	2366	7650	5728	2557	7310	5470	2653
	19	27	7241	5482	1379	9366	7091	1626	8657	6555	1930	8840	6693	2294	8500	6435	2390	7990	6049	2557	7650	5792	2653
	22	30	8028	5422	1379	10389	7031	1626	9602	6495	1930	9775	6629	2318	9435	6371	2414	8500	6178	2653	7905	6049	2796
	24	32	8579	5422	1399	11097	7031	1646	10231	6495	1952	10455	6629	2318	10030	6371	2438	8840	6307	2725	8075	6242	2892
2.5+3.5+ 3.5+5.0	12	18	6532	4648	1317	7398	6197	1564	6847	5720	1843	6970	5856	2199	6715	5599	2294	6290	5277	2462	6035	5020	2557
	14	20	6532	4648	1317	7949	6197	1564	7398	5780	1865	7480	5856	2223	7225	5663	2318	6715	5277	2486	6460	5084	2605
	16	22	6532	4946	1338	8500	6197	1585	7870	5780	1887	7990	5856	2247	7735	5663	2366	7225	5277	2533	6970	5084	2629
	18	25	7005	5303	1358	9051	6733	1605	8343	6257	1908	8500	6371	2271	8160	6114	2366	7650	5728	2557	7310	5470	2653
	19	27	7241	5482	1379	9366	7091	1626	8657	6555	1930	8840	6693	2294	8500	6435	2390	7990	6049	2557	7650	5792	2653
	22	30	8028	5422	1379	10389	7031	1626	9602	6495	1930	9775	6629	2318	9435	6371	2414	8500	6178	2653	7905	6049	2796
	24	32	8579	5422	1399	11097	7031	1646	10231	6495	1952	10455	6629	2318	10030	6371	2438	8840	6307	2725	8075	6242	2892
3.5+3.5+ 3.5+3.5	12	18	6532	4648	1317	7398	6197	1564	6847	5720	1843	6970	5856	2199	6715	5599	2294	6290	5277	2462	6035	5020	2557
	14	20	6532	4648	1317	7949	6197	1564	7398	5780	1865	7480	5856	2223	7225	5663	2318	6715	5277	2486	6460	5084	2605
	16	22	6532	4946	1338	8500	6197	1585	7870	5780	1887	7990	5856	2247	7735	5663	2366	7225	5277	2533	6970	5084	2629
	18	25	7005	5303	1358	9051	6733	1605	8343	6257	1908	8500	6371	2271	8160	6114	2366	7650	5728	2557	7310	5470	2653
	19	27	7241	5482	1379	9366	7091	1626	8657	6555	1930	8840	6693	2294	8500	6435	2390	7990	6049	2557	7650	5792	2653
	22	30	8028	5422	1379	10389	7031	1626	9602	6495	1930	9775	6629	2318	9435	6371	2414	8500	6178	2653	7905	6049	2796
	24	32	8579	5422	1399	11097	7031	1646	10231	6495	1952	10455	6629	2318	10030	6371	2438	8840	6307	2725	8075	6242	2892

	INDOOR		OUTDOOR TEMPERATURE (°CDB)																				
	EWB	EDB	-10			21			27			32			35			40			43		
	°C	°C	TC	SHC	PI	TC	SHC	PI	TC	SHC	PI	TC	SHC	PI	TC	SHC	PI	TC	SHC	PI	TC	SHC	PI
3.5+3.5+ 3.5+5.0	12	18	6532	4648	1317	7398	6197	1564	6847	5720	1843	6970	5856	2199	6715	5599	2294	6290	5277	2462	6035	5020	2557
	14	20	6532	4648	1317	7949	6197	1564	7398	5780	1865	7480	5856	2223	7225	5663	2318	6715	5277	2486	6460	5084	2605
	16	22	6532	4946	1338	8500	6197	1585	7870	5780	1887	7990	5856	2247	7735	5663	2366	7225	5277	2533	6970	5084	2629
	18	25	7005	5303	1358	9051	6733	1605	8343	6257	1908	8500	6371	2271	8160	6114	2366	7650	5728	2557	7310	5470	2653
	19	27	7241	5482	1379	9366	7091	1626	8657	6555	1930	8840	6693	2294	8500	6435	2390	7990	6049	2557	7650	5792	2653
	22	30	8028	5422	1379	10389	7031	1626	9602	6495	1930	9775	6629	2318	9435	6371	2414	8500	6178	2653	7905	6049	2796
	24	32	8579	5422	1399	11097	7031	1646	10231	6495	1952	10455	6629	2318	10030	6371	2438	8840	6307	2725	8075	6242	2892
1.5+1.5+ 1.5+1.5+1.5	12	18	5764	4101	975	6528	5468	1158	6042	5047	1365	6150	5167	1628	5925	4940	1699	5550	4656	1823	5325	4429	1894
	14	20	5764	4101	975	7014	5468	1158	6528	5100	1381	6600	5167	1646	6375	4997	1717	5925	4656	1841	5700	4486	1929
	16	22	5764	4364	991	7500	5468	1174	6944	5100	1397	7050	5167	1664	6825	4997	1752	6375	4656	1876	6150	4486	1947
	18	25	6181	4679	1006	7986	5941	1189	7361	5521	1413	7500	5622	1682	7200	5394	1752	6750	5054	1894	6450	4827	1965
	19	27	6389	4837	1021	8264	6257	1204	7639	5784	1429	7800	5905	1699	7500	5678	1770	7050	5338	1894	6750	5111	1965
	22	30	7083	4785	1021	9167	6204	1204	8472	5731	1429	8625	5849	1717	8325	5622	1788	7500	5451	1965	6975	5338	2071
	24	32	7569	4785	1036	9792	6204	1219	9028	5731	1446	9225	5849	1717	8850	5622	1805	7800	5565	2018	7125	5508	2142
1.5+1.5+ 1.5+1.5+1.8	12	18	5994	4265	1020	6789	5687	1211	6283	5249	1427	6396	5374	1702	6162	5138	1776	5772	4843	1906	5538	4606	1980
	14	20	5994	4265	1020	7294	5687	1211	6789	5304	1444	6864	5374	1721	6630	5197	1795	6162	4843	1924	5928	4665	2017
	16	22	5994	4538	1035	7800	5687	1227	7222	5304	1460	7332	5374	1739	7098	5197	1832	6630	4843	1961	6396	4665	2035
	18	25	6428	4867	1051	8306	6179	1243	7656	5741	1477	7800	5846	1758	7488	5610	1832	7020	5256	1980	6708	5020	2054
	19	27	6644	5031	1067	8594	6507	1259	7944	6015	1494	8112	6142	1776	7800	5905	1850	7332	5551	1980	7020	5315	2054
	22	30	7367	4976	1067	9533	6452	1259	8811	5960	1494	8970	6083	1795	8658	5846	1869	7800	5669	2054	7254	5551	2165
	24	32	7872	4976	1083	10183	6452	1274	9389	5960	1511	9594	6083	1795	9204	5846	1887	8112	5787	2109	7410	5728	2239
1.5+1.5+ 1.5+1.5+2.5	12	18	6532	4648	1075	7398	6197	1276	6847	5720	1504	6970	5856	1794	6715	5599	1872	6290	5277	2009	6035	5020	2087
	14	20	6532	4648	1075	7949	6197	1276	7398	5780	1522	7480	5856	1814	7225	5663	1892	6715	5277	2028	6460	5084	2126
	16	22	6532	4946	1091	8500	6197	1293	7870	5780	1539	7990	5856	1833	7735	5663	1931	7225	5277	2067	6970	5084	2145
	18	25	7005	5303	1108	9051	6733	1310	8343	6257	1557	8500	6371	1853	8160	6114	1931	7650	5728	2087	7310	5470	2165
	19	27	7241	5482	1125	9366	7091	1327	8657	6555	1575	8840	6693	1872	8500	6435	1950	7990	6049	2087	7650	5792	2165
	22	30	8028	5422	1125	10389	7031	1327	9602	6495	1575	9775	6629	1892	9435	6371	1970	8500	6178	2165	7905	6049	2282
	24	32	8579	5422	1142	11097	7031	1343	10231	6495	1593	10455	6629	1892	10030	6371	1989	8840	6307	2223	8075	6242	2360
1.5+1.5+ 1.5+1.5+3.5	12	18	6532	4648	1427	7398	6197	1695	6847	5720	1998	6970	5856	2383	6715	5599	2486	6290	5277	2668	6035	5020	2771
	14	20	6532	4648	1427	7949	6197	1695	7398	5780	2021	7480	5856	2409	7225	5663	2512	6715	5277	2694	6460	5084	2823
	16	22	6532	4946	1450	8500	6197	1717	7870	5780	2045	7990	5856	2435	7735	5663	2564	7225	5277	2745	6970	5084	2849
	18	25	7005	5303	1472	9051	6733	1740	8343	6257	2068	8500	6371	2461	8160	6114	2564	7650	5728	2771	7310	5470	2875
	19	27	7241	5482	1494	9366	7091	1762	8657	6555	2092	8840	6693	2486	8500	6435	2590	7990	6049	2771	7650	5792	2875
	22	30	8028	5422	1494	10389	7031	1762	9602	6495	2092	9775	6629	2512	9435	6371	2616	8500	6178	2875	7905	6049	3030
	24	32	8579	5422	1517	11097	7031	1784	10231	6495	2115	10455	6629	2512	10030	6371	2642	8840	6307	2953	8075	6242	3134
1.5+1.5+ 1.5+1.5+5.0	12	18	6532	4648	1317	7398	6197	1564	6847	5720	1843	6970	5856	2199	6715	5599	2294	6290	5277	2462	6035	5020	2557
	14	20	6532	4648	1317	7949	6197	1564	7398	5780	1865	7480	5856	2223	7225	5663	2318	6715	5277	2486	6460	5084	2605
	16	22	6532	4946	1338	8500	6197	1585	7870	5780	1887	7990	5856	2247	7735	5663	2366	7225	5277	2533	6970	5084	2629
	18	25	7005	5303	1358	9051	6733	1605	8343	6257	1908	8500	6371	2271	8160	6114	2366	7650	5728	2557	7310	5470	2653
	19	27	7241	5482	1379	9366	7091	1626	8657	6555	1930	8840	6693	2294	8500	6435	2390	7990	6049	2557	7650	5792	2653
	22	30	8028	5422	1379	10389	7031	1626	9602	6495	1930	9775	6629	2318	9435	6371	2414	8500	6178	2653	7905	6049	2796
	24	32	8579	5422	1399	11097	7031	1646	10231	6495	1952	10455	6629	2318	10030	6371	2438	8840	6307	2725	8075	6242	2892
1.5+1.5+ 1.5+1.8+1.8	12	18	6225	4429	1080	7050	5905	1283	6525	5451	1512	6642	5581	1803	6399	5335	1882	5994	5029	2019	5751	4783	2097
	14	20	6225	4429	1080	7575	5905	1283	7050	5508	1530	7128	5581	1823	6885	5397	1901	6399	5029	2038	6156	4845	2136
	16	22	6225	4713	1097	8100	5905	1300	7500	5508	1547	7614	5581	1842	7371	5397	1940	6885	5029	2078	6642	4845	2156
	18	25	6675	5054	1114	8625	6417	1316	7950	5962	1565	8100	6071	1862	7776	5826	1940	7290	5458	2097	6966	5213	2176
	19	27	6900	5224	1131	8925	6757	1333	8250	6246	1583	8424	6378	1882	8100	6133	1960	7614	5765	2097	7290	5519	2176
	22	30	7650	5167	1131	9900	6700	1333	9150	6189	1583	9315	6317	1901	8991	6071	1980	8100	5887	2176	7533	5765	2293
	24	32	8175	5167	1148	10575	6700	1350	9750	6189	1601	9963	6317	1901	9558	6071	1999	8424	6010	2234	7695	5949	2372



	INDOOR		OUTDOOR TEMPERATURE (°CDB)																				
	EWB	EDB	-10			21			27			32			35			40			43		
	°C	°C	TC	SHC	PI	TC	SHC	PI	TC	SHC	PI	TC	SHC	PI	TC	SHC	PI	TC	SHC	PI	TC	SHC	PI
1.5+1.5+ 1.5+3.5+5.0	12	18	6532	4648	1317	7398	6197	1564	6847	5720	1843	6970	5856	2199	6715	5599	2294	6290	5277	2462	6035	5020	2557
	14	20	6532	4648	1317	7949	6197	1564	7398	5780	1865	7480	5856	2223	7225	5663	2318	6715	5277	2486	6460	5084	2605
	16	22	6532	4946	1338	8500	6197	1585	7870	5780	1887	7990	5856	2247	7735	5663	2366	7225	5277	2533	6970	5084	2629
	18	25	7005	5303	1358	9051	6733	1605	8343	6257	1908	8500	6371	2271	8160	6114	2366	7650	5728	2557	7310	5470	2653
	19	27	7241	5482	1379	9366	7091	1626	8657	6555	1930	8840	6693	2294	8500	6435	2390	7990	6049	2557	7650	5792	2653
	22	30	8028	5422	1379	10389	7031	1626	9602	6495	1930	9775	6629	2318	9435	6371	2414	8500	6178	2653	7905	6049	2796
	24	32	8579	5422	1399	11097	7031	1646	10231	6495	1952	10455	6629	2318	10030	6371	2438	8840	6307	2725	8075	6242	2892
1.5+1.5+ 1.5+5.0+5.0	12	18	6532	4648	1317	7398	6197	1564	6847	5720	1843	6970	5856	2199	6715	5599	2294	6290	5277	2462	6035	5020	2557
	14	20	6532	4648	1317	7949	6197	1564	7398	5780	1865	7480	5856	2223	7225	5663	2318	6715	5277	2486	6460	5084	2605
	16	22	6532	4946	1338	8500	6197	1585	7870	5780	1887	7990	5856	2247	7735	5663	2366	7225	5277	2533	6970	5084	2629
	18	25	7005	5303	1358	9051	6733	1605	8343	6257	1908	8500	6371	2271	8160	6114	2366	7650	5728	2557	7310	5470	2653
	19	27	7241	5482	1379	9366	7091	1626	8657	6555	1930	8840	6693	2294	8500	6435	2390	7990	6049	2557	7650	5792	2653
	22	30	8028	5422	1379	10389	7031	1626	9602	6495	1930	9775	6629	2318	9435	6371	2414	8500	6178	2653	7905	6049	2796
	24	32	8579	5422	1399	11097	7031	1646	10231	6495	1952	10455	6629	2318	10030	6371	2438	8840	6307	2725	8075	6242	2892
1.5+1.5+ 1.8+1.8+1.8	12	18	6456	4593	1201	7311	6124	1427	6767	5653	1681	6888	5787	2006	6636	5533	2093	6216	5215	2245	5964	4961	2333
	14	20	6456	4593	1201	7856	6124	1427	7311	5712	1701	7392	5787	2027	7140	5597	2115	6636	5215	2267	6384	5024	2376
	16	22	6456	4888	1220	8400	6124	1445	7778	5712	1721	7896	5787	2049	7644	5597	2158	7140	5215	2311	6888	5024	2398
	18	25	6922	5241	1239	8944	6654	1464	8244	6183	1741	8400	6296	2071	8064	6042	2158	7560	5660	2333	7224	5406	2420
	19	27	7156	5418	1258	9256	7008	1483	8556	6478	1761	8736	6614	2093	8400	6360	2180	7896	5978	2333	7560	5724	2420
	22	30	7933	5359	1258	10267	6949	1483	9489	6419	1761	9660	6551	2115	9324	6296	2202	8400	6105	2420	7812	5978	2551
	24	32	8478	5359	1277	10967	6949	1502	10111	6419	1780	10332	6551	2115	9912	6296	2224	8736	6233	2485	7980	6169	2638
1.5+1.5+ 1.8+1.8+2.5	12	18	6532	4648	1372	7398	6197	1630	6847	5720	1921	6970	5856	2291	6715	5599	2390	6290	5277	2565	6035	5020	2664
	14	20	6532	4648	1372	7949	6197	1630	7398	5780	1943	7480	5856	2316	7225	5663	2415	6715	5277	2590	6460	5084	2714
	16	22	6532	4946	1394	8500	6197	1651	7870	5780	1966	7990	5856	2341	7735	5663	2465	7225	5277	2639	6970	5084	2739
	18	25	7005	5303	1415	9051	6733	1672	8343	6257	1988	8500	6371	2366	8160	6114	2465	7650	5728	2664	7310	5470	2764
	19	27	7241	5482	1437	9366	7091	1694	8657	6555	2011	8840	6693	2390	8500	6435	2490	7990	6049	2664	7650	5792	2764
	22	30	8028	5422	1437	10389	7031	1694	9602	6495	2011	9775	6629	2415	9435	6371	2515	8500	6178	2764	7905	6049	2913
	24	32	8579	5422	1458	11097	7031	1715	10231	6495	2034	10455	6629	2415	10030	6371	2540	8840	6307	2839	8075	6242	3013
1.5+1.5+ 1.8+1.8+3.5	12	18	6532	4648	1317	7398	6197	1564	6847	5720	1843	6970	5856	2199	6715	5599	2294	6290	5277	2462	6035	5020	2557
	14	20	6532	4648	1317	7949	6197	1564	7398	5780	1865	7480	5856	2223	7225	5663	2318	6715	5277	2486	6460	5084	2605
	16	22	6532	4946	1338	8500	6197	1585	7870	5780	1887	7990	5856	2247	7735	5663	2366	7225	5277	2533	6970	5084	2629
	18	25	7005	5303	1358	9051	6733	1605	8343	6257	1908	8500	6371	2271	8160	6114	2366	7650	5728	2557	7310	5470	2653
	19	27	7241	5482	1379	9366	7091	1626	8657	6555	1930	8840	6693	2294	8500	6435	2390	7990	6049	2557	7650	5792	2653
	22	30	8028	5422	1379	10389	7031	1626	9602	6495	1930	9775	6629	2318	9435	6371	2414	8500	6178	2653	7905	6049	2796
	24	32	8579	5422	1399	11097	7031	1646	10231	6495	1952	10455	6629	2318	10030	6371	2438	8840	6307	2725	8075	6242	2892
1.5+1.5+ 1.8+1.8+5.0	12	18	6532	4648	1317	7398	6197	1564	6847	5720	1843	6970	5856	2199	6715	5599	2294	6290	5277	2462	6035	5020	2557
	14	20	6532	4648	1317	7949	6197	1564	7398	5780	1865	7480	5856	2223	7225	5663	2318	6715	5277	2486	6460	5084	2605
	16	22	6532	4946	1338	8500	6197	1585	7870	5780	1887	7990	5856	2247	7735	5663	2366	7225	5277	2533	6970	5084	2629
	18	25	7005	5303	1358	9051	6733	1605	8343	6257	1908	8500	6371	2271	8160	6114	2366	7650	5728	2557	7310	5470	2653
	19	27	7241	5482	1379	9366	7091	1626	8657	6555	1930	8840	6693	2294	8500	6435	2390	7990	6049	2557	7650	5792	2653
	22	30	8028	5422	1379	10389	7031	1626	9602	6495	1930	9775	6629	2318	9435	6371	2414	8500	6178	2653	7905	6049	2796
	24	32	8579	5422	1399	11097	7031	1646	10231	6495	1952	10455	6629	2318	10030	6371	2438	8840	6307	2725	8075	6242	2892
1.5+1.5+ 1.8+2.5+2.5	12	18	6532	4648	1317	7398	6197	1564	6847	5720	1843	6970	5856	2199	6715	5599	2294	6290	5277	2462	6035	5020	2557
	14	20	6532	4648	1317	7949	6197	1564	7398	5780	1865	7480	5856	2223	7225	5663	2318	6715	5277	2486	6460	5084	2605
	16	22	6532	4946	1338	8500	6197	1585	7870	5780	1887	7990	5856	2247	7735	5663	2366	7225	5277	2533	6970	5084	2629
	18	25	7005	5303	1358	9051	6733	1605	8343	6257	1908	8500	6371	2271	8160	6114	2366	7650	5728	2557	7310	5470	2653
	19	27	7241	5482	1379	9366	7091	1626	8657	6555	1930	8840	6693	2294	8500	6435	2390	7990	6049	2557	7650	5792	2653
	22	30	8028	5422	1379	10389	7031	1626	9602	6495	1930	9775	6629	2318	9435	6371	2414	8500	6178	2653	7905	6049	2796
	24	32	8579	5422	1399	11097	7031	1646	10231	6495	1952	10455	6629	2318	10030	6371	2438	8840	6307	2725	8075	6242	2892



	INDOOR		OUTDOOR TEMPERATURE (°CDB)																				
	EWB	EDB	-10			21			27			32			35			40			43		
	°C	°C	TC	SHC	PI	TC	SHC	PI	TC	SHC	PI	TC	SHC	PI	TC	SHC	PI	TC	SHC	PI	TC	SHC	PI
1.5+1.5+ 2.5+2.5+5.0	12	18	6532	4648	1317	7398	6197	1564	6847	5720	1843	6970	5856	2199	6715	5599	2294	6290	5277	2462	6035	5020	2557
	14	20	6532	4648	1317	7949	6197	1564	7398	5780	1865	7480	5856	2223	7225	5663	2318	6715	5277	2486	6460	5084	2605
	16	22	6532	4946	1338	8500	6197	1585	7870	5780	1887	7990	5856	2247	7735	5663	2366	7225	5277	2533	6970	5084	2629
	18	25	7005	5303	1358	9051	6733	1605	8343	6257	1908	8500	6371	2271	8160	6114	2366	7650	5728	2557	7310	5470	2653
	19	27	7241	5482	1379	9366	7091	1626	8657	6555	1930	8840	6693	2294	8500	6435	2390	7990	6049	2557	7650	5792	2653
	22	30	8028	5422	1379	10389	7031	1626	9602	6495	1930	9775	6629	2318	9435	6371	2414	8500	6178	2653	7905	6049	2796
	24	32	8579	5422	1399	11097	7031	1646	10231	6495	1952	10455	6629	2318	10030	6371	2438	8840	6307	2725	8075	6242	2892
1.5+1.5+ 2.5+3.5+3.5	12	18	6532	4648	1317	7398	6197	1564	6847	5720	1843	6970	5856	2199	6715	5599	2294	6290	5277	2462	6035	5020	2557
	14	20	6532	4648	1317	7949	6197	1564	7398	5780	1865	7480	5856	2223	7225	5663	2318	6715	5277	2486	6460	5084	2605
	16	22	6532	4946	1338	8500	6197	1585	7870	5780	1887	7990	5856	2247	7735	5663	2366	7225	5277	2533	6970	5084	2629
	18	25	7005	5303	1358	9051	6733	1605	8343	6257	1908	8500	6371	2271	8160	6114	2366	7650	5728	2557	7310	5470	2653
	19	27	7241	5482	1379	9366	7091	1626	8657	6555	1930	8840	6693	2294	8500	6435	2390	7990	6049	2557	7650	5792	2653
	22	30	8028	5422	1379	10389	7031	1626	9602	6495	1930	9775	6629	2318	9435	6371	2414	8500	6178	2653	7905	6049	2796
	24	32	8579	5422	1399	11097	7031	1646	10231	6495	1952	10455	6629	2318	10030	6371	2438	8840	6307	2725	8075	6242	2892
1.5+1.5+ 2.5+3.5+5.0	12	18	6532	4648	1317	7398	6197	1564	6847	5720	1843	6970	5856	2199	6715	5599	2294	6290	5277	2462	6035	5020	2557
	14	20	6532	4648	1317	7949	6197	1564	7398	5780	1865	7480	5856	2223	7225	5663	2318	6715	5277	2486	6460	5084	2605
	16	22	6532	4946	1338	8500	6197	1585	7870	5780	1887	7990	5856	2247	7735	5663	2366	7225	5277	2533	6970	5084	2629
	18	25	7005	5303	1358	9051	6733	1605	8343	6257	1908	8500	6371	2271	8160	6114	2366	7650	5728	2557	7310	5470	2653
	19	27	7241	5482	1379	9366	7091	1626	8657	6555	1930	8840	6693	2294	8500	6435	2390	7990	6049	2557	7650	5792	2653
	22	30	8028	5422	1379	10389	7031	1626	9602	6495	1930	9775	6629	2318	9435	6371	2414	8500	6178	2653	7905	6049	2796
	24	32	8579	5422	1399	11097	7031	1646	10231	6495	1952	10455	6629	2318	10030	6371	2438	8840	6307	2725	8075	6242	2892
1.5+1.5+ 2.5+5.0+5.0	12	18	6532	4648	1317	7398	6197	1564	6847	5720	1843	6970	5856	2199	6715	5599	2294	6290	5277	2462	6035	5020	2557
	14	20	6532	4648	1317	7949	6197	1564	7398	5780	1865	7480	5856	2223	7225	5663	2318	6715	5277	2486	6460	5084	2605
	16	22	6532	4946	1338	8500	6197	1585	7870	5780	1887	7990	5856	2247	7735	5663	2366	7225	5277	2533	6970	5084	2629
	18	25	7005	5303	1358	9051	6733	1605	8343	6257	1908	8500	6371	2271	8160	6114	2366	7650	5728	2557	7310	5470	2653
	19	27	7241	5482	1379	9366	7091	1626	8657	6555	1930	8840	6693	2294	8500	6435	2390	7990	6049	2557	7650	5792	2653
	22	30	8028	5422	1379	10389	7031	1626	9602	6495	1930	9775	6629	2318	9435	6371	2414	8500	6178	2653	7905	6049	2796
	24	32	8579	5422	1399	11097	7031	1646	10231	6495	1952	10455	6629	2318	10030	6371	2438	8840	6307	2725	8075	6242	2892
1.5+1.5+ 3.5+3.5+3.5	12	18	6532	4648	1317	7398	6197	1564	6847	5720	1843	6970	5856	2199	6715	5599	2294	6290	5277	2462	6035	5020	2557
	14	20	6532	4648	1317	7949	6197	1564	7398	5780	1865	7480	5856	2223	7225	5663	2318	6715	5277	2486	6460	5084	2605
	16	22	6532	4946	1338	8500	6197	1585	7870	5780	1887	7990	5856	2247	7735	5663	2366	7225	5277	2533	6970	5084	2629
	18	25	7005	5303	1358	9051	6733	1605	8343	6257	1908	8500	6371	2271	8160	6114	2366	7650	5728	2557	7310	5470	2653
	19	27	7241	5482	1379	9366	7091	1626	8657	6555	1930	8840	6693	2294	8500	6435	2390	7990	6049	2557	7650	5792	2653
	22	30	8028	5422	1379	10389	7031	1626	9602	6495	1930	9775	6629	2318	9435	6371	2414	8500	6178	2653	7905	6049	2796
	24	32	8579	5422	1399	11097	7031	1646	10231	6495	1952	10455	6629	2318	10030	6371	2438	8840	6307	2725	8075	6242	2892
1.5+1.5+ 3.5+3.5+5.0	12	18	6532	4648	1317	7398	6197	1564	6847	5720	1843	6970	5856	2199	6715	5599	2294	6290	5277	2462	6035	5020	2557
	14	20	6532	4648	1317	7949	6197	1564	7398	5780	1865	7480	5856	2223	7225	5663	2318	6715	5277	2486	6460	5084	2605
	16	22	6532	4946	1338	8500	6197	1585	7870	5780	1887	7990	5856	2247	7735	5663	2366	7225	5277	2533	6970	5084	2629
	18	25	7005	5303	1358	9051	6733	1605	8343	6257	1908	8500	6371	2271	8160	6114	2366	7650	5728	2557	7310	5470	2653
	19	27	7241	5482	1379	9366	7091	1626	8657	6555	1930	8840	6693	2294	8500	6435	2390	7990	6049	2557	7650	5792	2653
	22	30	8028	5422	1379	10389	7031	1626	9602	6495	1930	9775	6629	2318	9435	6371	2414	8500	6178	2653	7905	6049	2796
	24	32	8579	5422	1399	11097	7031	1646	10231	6495	1952	10455	6629	2318	10030	6371	2438	8840	6307	2725	8075	6242	2892
1.5+1.8+ 1.8+1.8+1.8	12	18	6532	4648	1394	7398	6197	1656	6847	5720	1951	6970	5856	2328	6715	5599	2429	6290	5277	2606	6035	5020	2707
	14	20	6532	4648	1394	7949	6197	1656	7398	5780	1974	7480	5856	2353	7225	5663	2454	6715	5277	2631	6460	5084	2758
	16	22	6532	4946	1416	8500	6197	1678	7870	5780	1997	7990	5856	2378	7735	5663	2505	7225	5277	2682	6970	5084	2783
	18	25	7005	5303	1438	9051	6733	1699	8343	6257	2020	8500	6371	2404	8160	6114	2505	7650	5728	2707	7310	5470	2808
	19	27	7241	5482	1460	9366	7091	1721	8657	6555	2043	8840	6693	2429	8500	6435	2530	7990	6049	2707	7650	5792	2808
	22	30	8028	5422	1460	10389	7031	1721	9602	6495	2043	9775	6629	2454	9435	6371	2555	8500	6178	2808	7905	6049	2960
	24	32	8579	5422	1481	11097	7031	1743	10231	6495	2066	10455	6629	2454	10030	6371	2581	8840	6307	2884	8075	6242	3061







	INDOOR		OUTDOOR TEMPERATURE (°CDB)																				
	EWB	EDB	-10			21			27			32			35			40			43		
	°C	°C	TC	SHC	PI	TC	SHC	PI	TC	SHC	PI	TC	SHC	PI	TC	SHC	PI	TC	SHC	PI	TC	SHC	PI
1.5+1.8+ 3.5+3.5+3.5	12	18	6532	4648	1317	7398	6197	1564	6847	5720	1843	6970	5856	2199	6715	5599	2294	6290	5277	2462	6035	5020	2557
	14	20	6532	4648	1317	7949	6197	1564	7398	5780	1865	7480	5856	2223	7225	5663	2318	6715	5277	2486	6460	5084	2605
	16	22	6532	4946	1338	8500	6197	1585	7870	5780	1887	7990	5856	2247	7735	5663	2366	7225	5277	2533	6970	5084	2629
	18	25	7005	5303	1358	9051	6733	1605	8343	6257	1908	8500	6371	2271	8160	6114	2366	7650	5728	2557	7310	5470	2653
	19	27	7241	5482	1379	9366	7091	1626	8657	6555	1930	8840	6693	2294	8500	6435	2390	7990	6049	2557	7650	5792	2653
	22	30	8028	5422	1379	10389	7031	1626	9602	6495	1930	9775	6629	2318	9435	6371	2414	8500	6178	2653	7905	6049	2796
	24	32	8579	5422	1399	11097	7031	1646	10231	6495	1952	10455	6629	2318	10030	6371	2438	8840	6307	2725	8075	6242	2892
1.5+1.8+ 3.5+3.5+5.0	12	18	6532	4648	1317	7398	6197	1564	6847	5720	1843	6970	5856	2199	6715	5599	2294	6290	5277	2462	6035	5020	2557
	14	20	6532	4648	1317	7949	6197	1564	7398	5780	1865	7480	5856	2223	7225	5663	2318	6715	5277	2486	6460	5084	2605
	16	22	6532	4946	1338	8500	6197	1585	7870	5780	1887	7990	5856	2247	7735	5663	2366	7225	5277	2533	6970	5084	2629
	18	25	7005	5303	1358	9051	6733	1605	8343	6257	1908	8500	6371	2271	8160	6114	2366	7650	5728	2557	7310	5470	2653
	19	27	7241	5482	1379	9366	7091	1626	8657	6555	1930	8840	6693	2294	8500	6435	2390	7990	6049	2557	7650	5792	2653
	22	30	8028	5422	1379	10389	7031	1626	9602	6495	1930	9775	6629	2318	9435	6371	2414	8500	6178	2653	7905	6049	2796
	24	32	8579	5422	1399	11097	7031	1646	10231	6495	1952	10455	6629	2318	10030	6371	2438	8840	6307	2725	8075	6242	2892
1.8+1.8+ 1.8+1.8+1.8	12	18	6532	4648	1229	7398	6197	1459	6847	5720	1720	6970	5856	2052	6715	5599	2141	6290	5277	2297	6035	5020	2386
	14	20	6532	4648	1229	7949	6197	1459	7398	5780	1740	7480	5856	2074	7225	5663	2163	6715	5277	2319	6460	5084	2431
	16	22	6532	4946	1248	8500	6197	1479	7870	5780	1760	7990	5856	2096	7735	5663	2208	7225	5277	2364	6970	5084	2453
	18	25	7005	5303	1267	9051	6733	1498	8343	6257	1781	8500	6371	2119	8160	6114	2208	7650	5728	2386	7310	5470	2475
	19	27	7241	5482	1287	9366	7091	1517	8657	6555	1801	8840	6693	2141	8500	6435	2230	7990	6049	2386	7650	5792	2475
	22	30	8028	5422	1287	10389	7031	1517	9602	6495	1801	9775	6629	2163	9435	6371	2252	8500	6178	2475	7905	6049	2609
	24	32	8579	5422	1306	11097	7031	1536	10231	6495	1821	10455	6629	2163	10030	6371	2275	8840	6307	2542	8075	6242	2698
1.8+1.8+ 1.8+1.8+2.5	12	18	6532	4648	1229	7398	6197	1459	6847	5720	1720	6970	5856	2052	6715	5599	2141	6290	5277	2297	6035	5020	2386
	14	20	6532	4648	1229	7949	6197	1459	7398	5780	1740	7480	5856	2074	7225	5663	2163	6715	5277	2319	6460	5084	2431
	16	22	6532	4946	1248	8500	6197	1479	7870	5780	1760	7990	5856	2096	7735	5663	2208	7225	5277	2364	6970	5084	2453
	18	25	7005	5303	1267	9051	6733	1498	8343	6257	1781	8500	6371	2119	8160	6114	2208	7650	5728	2386	7310	5470	2475
	19	27	7241	5482	1287	9366	7091	1517	8657	6555	1801	8840	6693	2141	8500	6435	2230	7990	6049	2386	7650	5792	2475
	22	30	8028	5422	1287	10389	7031	1517	9602	6495	1801	9775	6629	2163	9435	6371	2252	8500	6178	2475	7905	6049	2609
	24	32	8579	5422	1306	11097	7031	1536	10231	6495	1821	10455	6629	2163	10030	6371	2275	8840	6307	2542	8075	6242	2698
1.8+1.8+ 1.8+1.8+5.0	12	18	6532	4648	1229	7398	6197	1459	6847	5720	1720	6970	5856	2052	6715	5599	2141	6290	5277	2297	6035	5020	2386
	14	20	6532	4648	1229	7949	6197	1459	7398	5780	1740	7480	5856	2074	7225	5663	2163	6715	5277	2319	6460	5084	2431
	16	22	6532	4946	1248	8500	6197	1479	7870	5780	1760	7990	5856	2096	7735	5663	2208	7225	5277	2364	6970	5084	2453
	18	25	7005	5303	1267	9051	6733	1498	8343	6257	1781	8500	6371	2119	8160	6114	2208	7650	5728	2386	7310	5470	2475
	19	27	7241	5482	1287	9366	7091	1517	8657	6555	1801	8840	6693	2141	8500	6435	2230	7990	6049	2386	7650	5792	2475
	22	30	8028	5422	1287	10389	7031	1517	9602	6495	1801	9775	6629	2163	9435	6371	2252	8500	6178	2475	7905	6049	2609
	24	32	8579	5422	1306	11097	7031	1536	10231	6495	1821	10455	6629	2163	10030	6371	2275	8840	6307	2542	8075	6242	2698
1.8+1.8+ 1.8+2.5+2.5	12	18	6532	4648	1229	7398	6197	1459	6847	5720	1720	6970	5856	2052	6715	5599	2141	6290	5277	2297	6035	5020	2386
	14	20	6532	4648	1229	7949	6197	1459	7398	5780	1740	7480	5856	2074	7225	5663	2163	6715	5277	2319	6460	5084	2431
	16	22	6532	4946	1248	8500	6197	1479	7870	5780	1760	7990	5856	2096	7735	5663	2208	7225	5277	2364	6970	5084	2453
	18	25	7005	5303	1267	9051	6733	1498	8343	6257	1781	8500	6371	2119	8160	6114	2208	7650	5728	2386	7310	5470	2475
	19	27	7241	5482	1287	9366	7091	1517	8657	6555	1801	8840	6693	2141	8500	6435	2230	7990	6049	2386	7650	5792	2475
	22	30	8028	5422	1287	10389	7031	1517	9602	6495	1801	9775	6629	2163	9435	6371	2252	8500	6178	2475	7905	6049	2609
	24	32	8579	5422	1306	11097	7031	1536	10231	6495	1821	10455	6629	2163	10030	6371	2275	8840	6307	2542	8075	6242	2698







INDOOR		OUTDOOR TEMPERATURE (°CDB)																					
EWB	EDB	-10			21			27			32			35			40			43			
°C	°C	TC	SHC	PI	TC	SHC	PI	TC	SHC	PI	TC	SHC	PI	TC	SHC	PI	TC	SHC	PI	TC	SHC	PI	
2.5+2.5+ 3.5+3.5+3.5	12	18	6532	4648	1229	7398	6197	1459	6847	5720	1720	6970	5856	2052	6715	5599	2141	6290	5277	2297	6035	5020	2386
	14	20	6532	4648	1229	7949	6197	1459	7398	5780	1740	7480	5856	2074	7225	5663	2163	6715	5277	2319	6460	5084	2431
	16	22	6532	4946	1248	8500	6197	1479	7870	5780	1760	7990	5856	2096	7735	5663	2208	7225	5277	2364	6970	5084	2453
	18	25	7005	5303	1267	9051	6733	1498	8343	6257	1781	8500	6371	2119	8160	6114	2208	7650	5728	2386	7310	5470	2475
	19	27	7241	5482	1287	9366	7091	1517	8657	6555	1801	8840	6693	2141	8500	6435	2230	7990	6049	2386	7650	5792	2475
	22	30	8028	5422	1287	10389	7031	1517	9602	6495	1801	9775	6629	2163	9435	6371	2252	8500	6178	2475	7905	6049	2609
	24	32	8579	5422	1306	11097	7031	1536	10231	6495	1821	10455	6629	2163	10030	6371	2275	8840	6307	2542	8075	6242	2698

### HEATING [50Hz, 230V]

	INDOOR	OUTDOOR TEMPERATURE (°CDB)																							
	EDB	-15			-10			-7			-5			0			7			10			15		
	°C	TC	SHC	PI	TC	SHC	PI	TC	SHC	PI	TC	SHC	PI	TC	SHC	PI	TC	SHC	PI	TC	SHC	PI	TC	SHC	PI
RAM-90NP5B	16	6157	0	2139	7481	0	2196	8274	0	2290	8804	0	2352	10127	0	2633	11979	0	2667	12376	0	2740	13037	0	2876
	18	6189	0	2168	7518	0	2225	8316	0	2338	8848	0	2413	10178	0	2699	12040	0	2803	12438	0	2861	13130	0	2890
	20	6220	0	2196	7556	0	2254	8358	0	2376	8893	0	2457	10229	0	2746	12100	0	2890	12501	0	2890	13169	0	2890
	22	6251	0	2225	7594	0	2283	8400	0	2425	8937	0	2520	10280	0	2812	12124	0	2890	12526	0	2890	13195	0	2890
	24	6282	0	2254	7632	0	2312	8442	0	2473	8981	0	2581	10331	0	2878	12148	0	2890	12551	0	2890	13222	0	2890
1.5	16	1120	0	629	1360	0	646	1504	0	674	1601	0	692	1841	0	774	2178	0	785	2427	0	806	2801	0	846
	18	1125	0	638	1367	0	655	1512	0	688	1609	0	710	1851	0	794	2189	0	825	2418	0	842	2387	0	886
	20	1131	0	646	1374	0	663	1520	0	699	1617	0	723	1860	0	808	2200	0	850	2273	0	850	2394	0	850
	22	1136	0	655	1381	0	672	1527	0	713	1625	0	741	1869	0	827	2204	0	850	2277	0	850	2399	0	850
	24	1142	0	663	1388	0	680	1535	0	727	1633	0	759	1878	0	847	2209	0	850	2282	0	850	2404	0	850
1.8	16	1527	0	681	1855	0	699	2051	0	729	2183	0	749	2511	0	838	2970	0	849	3309	0	872	3819	0	915
	18	1534	0	690	1864	0	708	2062	0	744	2194	0	768	2523	0	859	2985	0	892	3297	0	911	3255	0	920
	20	1542	0	699	1873	0	718	2072	0	756	2205	0	782	2536	0	874	3000	0	920	3099	0	920	3265	0	920
	22	1550	0	708	1883	0	727	2083	0	772	2216	0	802	2549	0	895	3006	0	920	3106	0	920	3272	0	920
	24	1557	0	718	1892	0	736	2093	0	787	2227	0	822	2561	0	916	3012	0	920	3112	0	920	3278	0	920
2.5	16	2036	0	992	2473	0	1018	2735	0	1062	2910	0	1091	3348	0	1221	3960	0	1237	4412	0	1270	5092	0	1333
	18	2046	0	1005	2485	0	1032	2749	0	1084	2925	0	1119	3365	0	1252	3980	0	1300	4396	0	1327	4340	0	1340
	20	2056	0	1018	2498	0	1045	2763	0	1101	2940	0	1139	3381	0	1273	4000	0	1340	4133	0	1340	4353	0	1340
	22	2066	0	1032	2510	0	1059	2777	0	1125	2954	0	1168	3398	0	1304	4008	0	1340	4141	0	1340	4362	0	1340
	24	2077	0	1045	2523	0	1072	2791	0	1147	2969	0	1197	3415	0	1335	4016	0	1340	4149	0	1340	4371	0	1340
3.5	16	2646	0	1273	3215	0	1307	3556	0	1363	3783	0	1400	4352	0	1567	5148	0	1588	5736	0	1631	6620	0	1711
	18	2660	0	1290	3231	0	1324	3574	0	1391	3802	0	1436	4374	0	1606	5174	0	1668	5715	0	1703	5642	0	1720
	20	2673	0	1307	3247	0	1342	3592	0	1414	3822	0	1462	4396	0	1634	5200	0	1720	5372	0	1720	5659	0	1720
	22	2686	0	1324	3263	0	1359	3610	0	1443	3841	0	1500	4418	0	1674	5210	0	1720	5383	0	1720	5671	0	1720
	24	2700	0	1342	3280	0	1376	3628	0	1472	3860	0	1536	4440	0	1713	5221	0	1720	5394	0	1720	5682	0	1720
5.0	16	3715	0	1909	4513	0	1961	4992	0	2044	5311	0	2100	6109	0	2350	7227	0	2381	8052	0	2446	9293	0	2567
	18	3734	0	1935	4536	0	1987	5017	0	2087	5338	0	2154	6140	0	2410	7264	0	2503	8023	0	2554	7921	0	2580
	20	3752	0	1961	4559	0	2012	5042	0	2121	5365	0	2193	6171	0	2451	7300	0	2580	7542	0	2580	7945	0	2580
	22	3771	0	1987	4581	0	2038	5068	0	2165	5392	0	2250	6202	0	2510	7315	0	2580	7557	0	2580	7961	0	2580
	24	3790	0	2012	4604	0	2064	5093	0	2208	5419	0	2304	6233	0	2570	7329	0	2580	7572	0	2580	7977	0	2580
1.5+1.5	16	2290	0	844	2782	0	866	3077	0	903	3274	0	928	3766	0	1039	4455	0	1052	4964	0	1081	5729	0	1134
	18	2302	0	855	2796	0	878	3093	0	922	3291	0	952	3785	0	1065	4478	0	1106	4946	0	1129	4883	0	1140
	20	2313	0	866	2810	0	889	3108	0	937	3307	0	969	3804	0	1083	4500	0	1140	4649	0	1140	4898	0	1140
	22	2325	0	878	2824	0	901	3124	0	957	3324	0	994	3823	0	1109	4509	0	1140	4658	0	1140	4907	0	1140
	24	2336	0	889	2838	0	912	3139	0	976	3340	0	1018	3842	0	1135	4518	0	1140	4668	0	1140	4917	0	1140
1.5+1.8	16	2544	0	1048	3091	0	1076	3419	0	1122	3638	0	1153	4185	0	1290	4950	0	1307	5515	0	1342	6365	0	1409
	18	2557	0	1062	3107	0	1090	3436	0	1146	3656	0	1182	4206	0	1323	4975	0	1374	5495	0	1402	5425	0	1416
	20	2570	0	1076	3122	0	1104	3454	0	1164	3675	0	1204	4227	0	1345	5000	0	1416	5166	0	1416	5442	0	1416
	22	2583	0	1090	3138	0	1119	3471	0	1188	3693	0	1235	4248	0	1378	5010	0	1416	5176	0	1416	5453	0	1416
	24	2596	0	1104	3154	0	1133	3488	0	1212	3711	0	1264	4269	0	1410	5020	0	1416	5186	0	1416	5464	0	1416

EWB : Evaporator Wet Bulb temperature (°C)

TC : Total Capacity (W)

EDB : Evaporator Dry Bulb temperature (°C)

SHC : Sensible Heating Capacity (W)

(°CDB) : Outdoor Unit Inlet Air Dry Temperature (°C)

PI : Power Input

	INDOOR		OUTDOOR TEMPERATURE (°CDB)																							
	EDB	-15			-10			-7			-5			0			7			10			15			
	°C	TC	SHC	PI	TC	SHC	PI	TC	SHC	PI	TC	SHC	PI	TC	SHC	PI	TC	SHC	PI	TC	SHC	PI	TC	SHC	PI	
1.5+2.5	16	3002	0	1172	3648	0	1204	4035	0	1255	4293	0	1289	4938	0	1443	5841	0	1462	6508	0	1502	7511	0	1576	
	18	3018	0	1188	3666	0	1220	4055	0	1281	4314	0	1323	4963	0	1479	5871	0	1536	6484	0	1568	6402	0	1584	
	20	3033	0	1204	3684	0	1236	4075	0	1302	4336	0	1346	4988	0	1505	5900	0	1584	6095	0	1584	6421	0	1584	
	22	3048	0	1220	3703	0	1251	4096	0	1329	4358	0	1381	5013	0	1541	5912	0	1584	6108	0	1584	6434	0	1584	
	24	3063	0	1236	3721	0	1267	4116	0	1356	4379	0	1415	5038	0	1578	5924	0	1584	6120	0	1584	6447	0	1584	
1.5+3.5	16	3460	0	1376	4204	0	1414	4650	0	1474	4947	0	1514	5691	0	1694	6732	0	1717	7500	0	1763	8656	0	1851	
	18	3478	0	1395	4225	0	1432	4674	0	1505	4972	0	1553	5720	0	1737	6766	0	1804	7473	0	1841	7379	0	1860	
	20	3495	0	1414	4246	0	1451	4697	0	1529	4997	0	1581	5749	0	1767	6800	0	1860	7025	0	1860	7401	0	1860	
	22	3513	0	1432	4268	0	1469	4721	0	1561	5022	0	1622	5777	0	1810	6814	0	1860	7039	0	1860	7416	0	1860	
	24	3530	0	1451	4289	0	1488	4744	0	1592	5047	0	1661	5806	0	1853	6827	0	1860	7053	0	1860	7430	0	1860	
1.5+5	16	4580	0	2042	5564	0	2098	6154	0	2187	6548	0	2247	7532	0	2514	8910	0	2547	9927	0	2616	11457	0	2746	
	18	4603	0	2070	5592	0	2125	6186	0	2233	6581	0	2305	7570	0	2578	8955	0	2677	9891	0	2732	9766	0	2760	
	20	4626	0	2098	5620	0	2153	6217	0	2269	6614	0	2346	7608	0	2622	9000	0	2760	9298	0	2760	9795	0	2760	
	22	4649	0	2125	5648	0	2180	6248	0	2316	6647	0	2407	7646	0	2685	9018	0	2760	9317	0	2760	9815	0	2760	
	24	4672	0	2153	5676	0	2208	6279	0	2362	6680	0	2465	7684	0	2749	9036	0	2760	9335	0	2760	9834	0	2760	
1.8+1.8	16	3511	0	1265	4266	0	1300	4718	0	1355	5020	0	1392	5775	0	1558	6831	0	1578	7611	0	1621	8784	0	1701	
	18	3529	0	1283	4287	0	1317	4742	0	1383	5046	0	1428	5804	0	1597	6866	0	1659	7583	0	1693	7487	0	1710	
	20	3547	0	1300	4309	0	1334	4766	0	1406	5071	0	1454	5833	0	1625	6900	0	1710	7129	0	1710	7510	0	1710	
	22	3564	0	1317	4330	0	1351	4790	0	1435	5096	0	1491	5862	0	1664	6914	0	1710	7143	0	1710	7525	0	1710	
	24	3582	0	1334	4352	0	1368	4814	0	1463	5122	0	1527	5891	0	1703	6928	0	1710	7157	0	1710	7540	0	1710	
1.8+2.5	16	3918	0	1473	4760	0	1512	5266	0	1577	5602	0	1620	6444	0	1813	7623	0	1837	8493	0	1887	9802	0	1980	
	18	3938	0	1493	4784	0	1532	5292	0	1610	5631	0	1662	6477	0	1859	7662	0	1930	8462	0	1970	8355	0	1990	
	20	3958	0	1512	4808	0	1552	5319	0	1636	5659	0	1692	6509	0	1891	7700	0	1990	7955	0	1990	8380	0	1990	
	22	3978	0	1532	4832	0	1572	5345	0	1670	5687	0	1735	6542	0	1936	7715	0	1990	7971	0	1990	8397	0	1990	
	24	3998	0	1552	4857	0	1592	5372	0	1703	5715	0	1777	6574	0	1982	7731	0	1990	7987	0	1990	8414	0	1990	
1.8+3.5	16	4325	0	1717	5255	0	1763	5813	0	1838	6184	0	1888	7114	0	2114	8415	0	2141	9376	0	2199	10821	0	2308	
	18	4347	0	1740	5281	0	1786	5842	0	1877	6216	0	1937	7150	0	2167	8458	0	2250	9342	0	2297	9223	0	2320	
	20	4369	0	1763	5308	0	1810	5871	0	1907	6247	0	1972	7186	0	2204	8500	0	2320	8782	0	2320	9251	0	2320	
	22	4391	0	1786	5335	0	1833	5901	0	1947	6278	0	2023	7222	0	2257	8517	0	2320	8799	0	2320	9270	0	2320	
	24	4413	0	1810	5361	0	1856	5930	0	1985	6309	0	2072	7258	0	2311	8534	0	2320	8817	0	2320	9288	0	2320	
1.8+5.0	16	5089	0	2131	6182	0	2189	6838	0	2282	7276	0	2344	8369	0	2624	9900	0	2658	11030	0	2730	12730	0	2866	
	18	5114	0	2160	6213	0	2218	6873	0	2330	7312	0	2405	8411	0	2690	9950	0	2794	10990	0	2851	10851	0	2880	
	20	5140	0	2189	6245	0	2246	6907	0	2367	7349	0	2448	8454	0	2736	10000	0	2880	10331	0	2880	10884	0	2880	
	22	5166	0	2218	6276	0	2275	6942	0	2417	7386	0	2511	8496	0	2802	10020	0	2880	10352	0	2880	10905	0	2880	
	24	5192	0	2246	6307	0	2304	6976	0	2465	7423	0	2572	8538	0	2868	10040	0	2880	10373	0	2880	10927	0	2880	
2.5+2.5	16	4325	0	1665	5255	0	1710	5813	0	1783	6184	0	1832	7114	0	2050	8415	0	2077	9376	0	2133	10821	0	2239	
	18	4347	0	1688	5281	0	1733	5842	0	1820	6216	0	1879	7150	0	2102	8458	0	2183	9342	0	2228	9223	0	2250	
	20	4369	0	1710	5308	0	1755	5871	0	1850	6247	0	1913	7186	0	2138	8500	0	2250	8782	0	2250	9251	0	2250	
	22	4391	0	1733	5335	0	1778	5901	0	1888	6278	0	1962	7222	0	2189	8517	0	2250	8799	0	2250	9270	0	2250	
	24	4413	0	1755	5361	0	1800	5930	0	1926	6309	0	2009	7258	0	2241	8534	0	2250	8817	0	2250	9288	0	2250	



	INDOOR	OUTDOOR TEMPERATURE (°CDB)																							
	EDB	-15			-10			-7			-5			0			7			10			15		
	°C	TC	SHC	PI	TC	SHC	PI	TC	SHC	PI	TC	SHC	PI	TC	SHC	PI	TC	SHC	PI	TC	SHC	PI	TC	SHC	PI
2.5+3.5	16	4682	0	1917	5688	0	1968	6291	0	2052	6694	0	2108	7700	0	2359	9108	0	2391	10148	0	2455	11712	0	2577
	18	4705	0	1943	5716	0	1994	6323	0	2095	6727	0	2163	7739	0	2419	9154	0	2512	10111	0	2564	9983	0	2590
	20	4729	0	1968	5745	0	2020	6355	0	2129	6761	0	2202	7777	0	2461	9200	0	2590	9505	0	2590	10013	0	2590
	22	4753	0	1994	5774	0	2046	6387	0	2174	6795	0	2258	7816	0	2520	9218	0	2590	9524	0	2590	10033	0	2590
	24	4776	0	2020	5803	0	2072	6418	0	2217	6829	0	2313	7855	0	2580	9237	0	2590	9543	0	2590	10053	0	2590
2.5+5.0	16	5343	0	2301	6491	0	2364	7180	0	2464	7639	0	2532	8788	0	2833	10395	0	2871	11582	0	2948	13367	0	3094
	18	5370	0	2333	6524	0	2395	7217	0	2516	7678	0	2597	8832	0	2905	10448	0	3017	11540	0	3079	11393	0	3110
	20	5397	0	2364	6557	0	2426	7253	0	2556	7717	0	2644	8876	0	2955	10500	0	3110	10848	0	3110	11428	0	3110
	22	5424	0	2395	6590	0	2457	7289	0	2610	7755	0	2712	8921	0	3026	10521	0	3110	10870	0	3110	11451	0	3110
	24	5451	0	2426	6623	0	2488	7325	0	2662	7794	0	2777	8965	0	3098	10542	0	3110	10891	0	3110	11473	0	3110
3.5+3.5	16	5089	0	2116	6182	0	2174	6838	0	2266	7276	0	2328	8369	0	2605	9900	0	2640	11030	0	2711	12730	0	2846
	18	5114	0	2145	6213	0	2202	6873	0	2314	7312	0	2388	8411	0	2671	9950	0	2774	10990	0	2831	10851	0	2860
	20	5140	0	2174	6245	0	2231	6907	0	2351	7349	0	2431	8454	0	2717	10000	0	2860	10331	0	2860	10884	0	2860
	22	5166	0	2202	6276	0	2259	6942	0	2400	7386	0	2494	8496	0	2783	10020	0	2860	10352	0	2860	10905	0	2860
	24	5192	0	2231	6307	0	2288	6976	0	2448	7423	0	2554	8538	0	2849	10040	0	2860	10373	0	2860	10927	0	2860
3.5+5.0	16	5598	0	2457	6800	0	2523	7522	0	2631	8003	0	2702	9206	0	3025	10890	0	3064	12133	0	3147	14003	0	3303
	18	5626	0	2490	6835	0	2556	7560	0	2686	8044	0	2772	9253	0	3101	10945	0	3220	12089	0	3287	11936	0	3320
	20	5654	0	2523	6869	0	2590	7598	0	2729	8084	0	2822	9299	0	3154	11000	0	3320	11364	0	3320	11972	0	3320
	22	5682	0	2556	6904	0	2623	7636	0	2786	8125	0	2895	9346	0	3230	11022	0	3320	11387	0	3320	11996	0	3320
	24	5711	0	2590	6938	0	2656	7674	0	2841	8165	0	2965	9392	0	3307	11044	0	3320	11410	0	3320	12020	0	3320
5.0+5.0	16	5801	0	2368	7048	0	2432	7796	0	2536	8294	0	2605	9541	0	2915	11286	0	2954	12574	0	3034	14512	0	3184
	18	5831	0	2400	7083	0	2464	7835	0	2589	8336	0	2672	9589	0	2989	11343	0	3104	12529	0	3168	12370	0	3200
	20	5860	0	2432	7119	0	2496	7874	0	2630	8378	0	2720	9637	0	3040	11400	0	3200	11778	0	3200	12407	0	3200
	22	5889	0	2464	7155	0	2528	7914	0	2685	8420	0	2790	9685	0	3114	11423	0	3200	11801	0	3200	12432	0	3200
	24	5918	0	2496	7190	0	2560	7953	0	2739	8462	0	2858	9734	0	3187	11446	0	3200	11825	0	3200	12457	0	3200
1.5+1.5+1.5	16	3308	0	1368	4018	0	1404	4445	0	1464	4729	0	1504	5440	0	1684	6435	0	1706	7170	0	1752	8275	0	1839
	18	3324	0	1386	4039	0	1423	4467	0	1495	4753	0	1543	5467	0	1726	6468	0	1793	7144	0	1830	7053	0	1848
	20	3341	0	1404	4059	0	1441	4490	0	1519	4777	0	1571	5495	0	1756	6500	0	1848	6715	0	1848	7074	0	1848
	22	3358	0	1423	4079	0	1460	4512	0	1551	4801	0	1611	5522	0	1798	6513	0	1848	6729	0	1848	7088	0	1848
	24	3375	0	1441	4100	0	1478	4535	0	1582	4825	0	1650	5550	0	1841	6526	0	1848	6742	0	1848	7103	0	1848
1.5+1.5+1.8	16	3562	0	1598	4328	0	1642	4787	0	1712	5093	0	1758	5858	0	1968	6930	0	1994	7721	0	2048	8911	0	2149
	18	3580	0	1620	4349	0	1663	4811	0	1747	5119	0	1804	5888	0	2017	6965	0	2095	7693	0	2138	7596	0	2160
	20	3598	0	1642	4371	0	1685	4835	0	1776	5144	0	1836	5918	0	2052	7000	0	2160	7232	0	2160	7619	0	2160
	22	3616	0	1663	4393	0	1706	4859	0	1813	5170	0	1884	5947	0	2102	7014	0	2160	7246	0	2160	7634	0	2160
	24	3634	0	1685	4415	0	1728	4884	0	1849	5196	0	1929	5977	0	2151	7028	0	2160	7261	0	2160	7649	0	2160
1.5+1.5+2.5	16	4020	0	1785	4884	0	1833	5402	0	1911	5748	0	1963	6612	0	2197	7821	0	2226	8714	0	2287	10057	0	2400
	18	4040	0	1809	4909	0	1857	5430	0	1951	5777	0	2014	6645	0	2253	7861	0	2340	8682	0	2388	8572	0	2412
	20	4061	0	1833	4933	0	1881	5457	0	1983	5806	0	2050	6678	0	2291	7900	0	2412	8162	0	2412	8598	0	2412
	22	4081	0	1857	4958	0	1905	5484	0	2024	5835	0	2103	6712	0	2347	7916	0	2412	8178	0	2412	8615	0	2412
	24	4101	0	1881	4983	0	1930	5511	0	2064	5864	0	2154	6745	0	2402	7932	0	2412	8194	0	2412	8632	0	2412

	INDOOR	OUTDOOR TEMPERATURE (°CDB)																							
	EDB	-15			-10			-7			-5			0			7			10			15		
	°C	TC	SHC	PI	TC	SHC	PI	TC	SHC	PI	TC	SHC	PI	TC	SHC	PI	TC	SHC	PI	TC	SHC	PI	TC	SHC	PI
1.5+1.5+3.5	16	4478	0	2149	5440	0	2207	6018	0	2301	6403	0	2364	7365	0	2646	8712	0	2680	9706	0	2753	11202	0	2889
	18	4501	0	2178	5468	0	2236	6048	0	2349	6435	0	2425	7402	0	2712	8756	0	2817	9671	0	2875	9549	0	2904
	20	4523	0	2207	5495	0	2265	6079	0	2387	6467	0	2468	7439	0	2759	8800	0	2904	9092	0	2904	9578	0	2904
	22	4546	0	2236	5523	0	2294	6109	0	2437	6500	0	2532	7476	0	2826	8818	0	2904	9110	0	2904	9597	0	2904
	24	4569	0	2265	5550	0	2323	6139	0	2485	6532	0	2593	7514	0	2892	8835	0	2904	9128	0	2904	9616	0	2904
1.5+1.5+5	16	5598	0	1368	6800	0	1404	7522	0	1464	8003	0	1504	9206	0	1684	10890	0	1706	12133	0	1752	14003	0	1839
	18	5626	0	1386	6835	0	1423	7560	0	1495	8044	0	1543	9253	0	1726	10945	0	1793	12089	0	1830	11936	0	1848
	20	5654	0	1404	6869	0	1441	7598	0	1519	8084	0	1571	9299	0	1756	11000	0	1848	11364	0	1848	11972	0	1848
	22	5682	0	1423	6904	0	1460	7636	0	1551	8125	0	1611	9346	0	1798	11022	0	1848	11387	0	1848	11996	0	1848
	24	5711	0	1441	6938	0	1478	7674	0	1582	8165	0	1650	9392	0	1841	11044	0	1848	11410	0	1848	12020	0	1848
1.5+1.8+1.8	16	3817	0	1687	4637	0	1733	5129	0	1807	5457	0	1856	6277	0	2077	7425	0	2104	8273	0	2161	9548	0	2269
	18	3836	0	1710	4660	0	1756	5155	0	1845	5484	0	1904	6309	0	2130	7463	0	2212	8243	0	2257	8138	0	2280
	20	3855	0	1733	4684	0	1778	5181	0	1874	5512	0	1938	6340	0	2166	7500	0	2280	7749	0	2280	8163	0	2280
	22	3874	0	1756	4707	0	1801	5206	0	1913	5539	0	1988	6372	0	2218	7515	0	2280	7764	0	2280	8179	0	2280
	24	3894	0	1778	4730	0	1824	5232	0	1951	5567	0	2036	6404	0	2271	7530	0	2280	7780	0	2280	8195	0	2280
1.5+1.8+2.5	16	4275	0	1936	5193	0	1988	5744	0	2073	6112	0	2129	7030	0	2383	8316	0	2415	9265	0	2480	10693	0	2603
	18	4296	0	1962	5219	0	2014	5773	0	2116	6142	0	2184	7066	0	2443	8358	0	2538	9232	0	2590	9115	0	2616
	20	4318	0	1988	5246	0	2040	5802	0	2150	6173	0	2224	7101	0	2485	8400	0	2616	8678	0	2616	9142	0	2616
	22	4339	0	2014	5272	0	2067	5831	0	2195	6204	0	2281	7137	0	2545	8417	0	2616	8696	0	2616	9161	0	2616
	24	4361	0	2040	5298	0	2093	5860	0	2239	6235	0	2336	7172	0	2606	8434	0	2616	8713	0	2616	9179	0	2616
1.5+1.8+3.5	16	4733	0	1368	5749	0	1404	6360	0	1464	6766	0	1504	7783	0	1684	9207	0	1706	10258	0	1752	11839	0	1839
	18	4756	0	1386	5779	0	1423	6392	0	1495	6801	0	1543	7823	0	1726	9254	0	1793	10221	0	1830	10091	0	1848
	20	4780	0	1404	5808	0	1441	6424	0	1519	6835	0	1571	7862	0	1756	9300	0	1848	9608	0	1848	10122	0	1848
	22	4804	0	1423	5837	0	1460	6456	0	1551	6869	0	1611	7901	0	1798	9319	0	1848	9627	0	1848	10142	0	1848
	24	4828	0	1441	5866	0	1478	6488	0	1582	6903	0	1650	7941	0	1841	9337	0	1848	9647	0	1848	10162	0	1848
1.5+1.8+5	16	5852	0	2486	7110	0	2554	7864	0	2662	8367	0	2735	9625	0	3061	11385	0	3101	12685	0	3185	14640	0	3343
	18	5882	0	2520	7145	0	2587	7904	0	2718	8409	0	2806	9673	0	3138	11443	0	3259	12639	0	3326	12479	0	3360
	20	5911	0	2554	7181	0	2621	7944	0	2762	8452	0	2856	9722	0	3192	11500	0	3360	11881	0	3360	12516	0	3360
	22	5941	0	2587	7217	0	2654	7983	0	2820	8494	0	2930	9770	0	3269	11523	0	3360	11905	0	3360	12541	0	3360
	24	5970	0	2621	7253	0	2688	8023	0	2875	8536	0	3000	9819	0	3347	11546	0	3360	11929	0	3360	12566	0	3360
1.5+2.5+2.5	16	4733	0	1368	5749	0	1404	6360	0	1464	6766	0	1504	7783	0	1684	9207	0	1706	10258	0	1752	11839	0	1839
	18	4756	0	1386	5779	0	1423	6392	0	1495	6801	0	1543	7823	0	1726	9254	0	1793	10221	0	1830	10091	0	1848
	20	4780	0	1404	5808	0	1441	6424	0	1519	6835	0	1571	7862	0	1756	9300	0	1848	9608	0	1848	10122	0	1848
	22	4804	0	1423	5837	0	1460	6456	0	1551	6869	0	1611	7901	0	1798	9319	0	1848	9627	0	1848	10142	0	1848
	24	4828	0	1441	5866	0	1478	6488	0	1582	6903	0	1650	7941	0	1841	9337	0	1848	9647	0	1848	10162	0	1848
1.5+2.5+3.5	16	5191	0	2611	6306	0	2681	6975	0	2796	7421	0	2872	8537	0	3214	10098	0	3256	11251	0	3345	12985	0	3510
	18	5217	0	2646	6338	0	2717	7010	0	2854	7459	0	2946	8580	0	3295	10149	0	3422	11210	0	3493	11068	0	3528
	20	5243	0	2681	6370	0	2752	7046	0	2900	7496	0	2999	8623	0	3352	10200	0	3528	10538	0	3528	11101	0	3528
	22	5269	0	2717	6401	0	2787	7081	0	2961	7534	0	3076	8666	0	3433	10220	0	3528	10559	0	3528	11123	0	3528
	24	5295	0	2752	6433	0	2822	7116	0	3019	7571	0	3151	8709	0	3514	10241	0	3528	10580	0	3528	11146	0	3528

	INDOOR	OUTDOOR TEMPERATURE (°CDB)																							
	EDB	-15			-10			-7			-5			0			7			10			15		
	°C	TC	SHC	PI	TC	SHC	PI	TC	SHC	PI	TC	SHC	PI	TC	SHC	PI	TC	SHC	PI	TC	SHC	PI	TC	SHC	PI
1.5+2.5+5	16	5852	0	2486	7110	0	2554	7864	0	2662	8367	0	2735	9625	0	3061	11385	0	3101	12685	0	3185	14640	0	3343
	18	5882	0	2520	7145	0	2587	7904	0	2718	8409	0	2806	9673	0	3138	11443	0	3259	12639	0	3326	12479	0	3360
	20	5911	0	2554	7181	0	2621	7944	0	2762	8452	0	2856	9722	0	3192	11500	0	3360	11881	0	3360	12516	0	3360
	22	5941	0	2587	7217	0	2654	7983	0	2820	8494	0	2930	9770	0	3269	11523	0	3360	11905	0	3360	12541	0	3360
	24	5970	0	2621	7253	0	2688	8023	0	2875	8536	0	3000	9819	0	3347	11546	0	3360	11929	0	3360	12566	0	3360
1.5+3.5+3.5	16	5649	0	1368	6862	0	1404	7591	0	1464	8076	0	1504	9290	0	1684	10989	0	1706	12243	0	1752	14130	0	1839
	18	5677	0	1386	6897	0	1423	7629	0	1495	8117	0	1543	9337	0	1726	11045	0	1793	12199	0	1830	12045	0	1848
	20	5706	0	1404	6932	0	1441	7667	0	1519	8158	0	1571	9384	0	1756	11100	0	1848	11468	0	1848	12081	0	1848
	22	5734	0	1423	6966	0	1460	7706	0	1551	8198	0	1611	9431	0	1798	11122	0	1848	11491	0	1848	12105	0	1848
	24	5763	0	1441	7001	0	1478	7744	0	1582	8239	0	1650	9477	0	1841	11144	0	1848	11514	0	1848	12129	0	1848
1.5+3.5+5	16	5852	0	2486	7110	0	2554	7864	0	2662	8367	0	2735	9625	0	3061	11385	0	3101	12685	0	3185	14640	0	3343
	18	5882	0	2520	7145	0	2587	7904	0	2718	8409	0	2806	9673	0	3138	11443	0	3259	12639	0	3326	12479	0	3360
	20	5911	0	2554	7181	0	2621	7944	0	2762	8452	0	2856	9722	0	3192	11500	0	3360	11881	0	3360	12516	0	3360
	22	5941	0	2587	7217	0	2654	7983	0	2820	8494	0	2930	9770	0	3269	11523	0	3360	11905	0	3360	12541	0	3360
	24	5970	0	2621	7253	0	2688	8023	0	2875	8536	0	3000	9819	0	3347	11546	0	3360	11929	0	3360	12566	0	3360
1.5+5+5	16	5852	0	2486	7110	0	2554	7864	0	2662	8367	0	2735	9625	0	3061	11385	0	3101	12685	0	3185	14640	0	3343
	18	5882	0	2520	7145	0	2587	7904	0	2718	8409	0	2806	9673	0	3138	11443	0	3259	12639	0	3326	12479	0	3360
	20	5911	0	2554	7181	0	2621	7944	0	2762	8452	0	2856	9722	0	3192	11500	0	3360	11881	0	3360	12516	0	3360
	22	5941	0	2587	7217	0	2654	7983	0	2820	8494	0	2930	9770	0	3269	11523	0	3360	11905	0	3360	12541	0	3360
	24	5970	0	2621	7253	0	2688	8023	0	2875	8536	0	3000	9819	0	3347	11546	0	3360	11929	0	3360	12566	0	3360
1.8+1.8+1.8	16	4631	0	1806	5626	0	1854	6223	0	1933	6621	0	1986	7616	0	2223	9009	0	2252	10037	0	2313	11584	0	2428
	18	4654	0	1830	5654	0	1879	6254	0	1974	6654	0	2037	7654	0	2279	9055	0	2367	10001	0	2416	9874	0	2440
	20	4678	0	1854	5683	0	1903	6286	0	2006	6688	0	2074	7693	0	2318	9100	0	2440	9402	0	2440	9904	0	2440
	22	4701	0	1879	5711	0	1928	6317	0	2048	6721	0	2128	7731	0	2374	9118	0	2440	9420	0	2440	9924	0	2440
	24	4724	0	1903	5740	0	1952	6349	0	2088	6755	0	2179	7770	0	2430	9136	0	2440	9439	0	2440	9944	0	2440
1.8+1.8+2.5	16	4834	0	1939	5873	0	1991	6496	0	2076	6912	0	2133	7951	0	2387	9405	0	2418	10479	0	2484	12094	0	2607
	18	4859	0	1965	5903	0	2017	6529	0	2120	6947	0	2188	7991	0	2447	9453	0	2541	10441	0	2594	10308	0	2620
	20	4883	0	1991	5932	0	2044	6562	0	2154	6982	0	2227	8031	0	2489	9500	0	2620	9815	0	2620	10339	0	2620
	22	4908	0	2017	5962	0	2070	6595	0	2199	7017	0	2285	8071	0	2549	9519	0	2620	9834	0	2620	10360	0	2620
	24	4932	0	2044	5992	0	2096	6628	0	2242	7052	0	2340	8111	0	2610	9538	0	2620	9854	0	2620	10381	0	2620
1.8+1.8+3.5	16	5191	0	2028	6306	0	2082	6975	0	2171	7421	0	2230	8537	0	2496	10098	0	2529	11251	0	2598	12985	0	2726
	18	5217	0	2055	6338	0	2110	7010	0	2217	7459	0	2288	8580	0	2559	10149	0	2658	11210	0	2713	11068	0	2740
	20	5243	0	2082	6370	0	2137	7046	0	2252	7496	0	2329	8623	0	2603	10200	0	2740	10538	0	2740	11101	0	2740
	22	5269	0	2110	6401	0	2165	7081	0	2299	7534	0	2389	8666	0	2666	10220	0	2740	10559	0	2740	11123	0	2740
	24	5295	0	2137	6433	0	2192	7116	0	2345	7571	0	2447	8709	0	2729	10241	0	2740	10580	0	2740	11146	0	2740
1.8+1.8+5.0	16	5750	0	2264	6986	0	2326	7727	0	2425	8222	0	2491	9457	0	2788	11187	0	2824	12464	0	2901	14385	0	3045
	18	5779	0	2295	7021	0	2356	7766	0	2476	8263	0	2555	9505	0	2858	11244	0	2968	12419	0	3029	12262	0	3060
	20	5808	0	2326	7057	0	2387	7805	0	2515	8305	0	2601	9553	0	2907	11300	0	3060	11674	0	3060	12298	0	3060
	22	5837	0	2356	7092	0	2417	7844	0	2568	8346	0	2668	9600	0	2977	11323	0	3060	11698	0	3060	12323	0	3060
	24	5867	0	2387	7127	0	2448	7883	0	2619	8388	0	2733	9648	0	3048	11345	0	3060	11721	0	3060	12348	0	3060

	INDOOR	OUTDOOR TEMPERATURE (°CDB)																							
	EDB	-15			-10			-7			-5			0			7			10			15		
	°C	TC	SHC	PI	TC	SHC	PI	TC	SHC	PI	TC	SHC	PI	TC	SHC	PI	TC	SHC	PI	TC	SHC	PI	TC	SHC	PI
1.8+2.5+2.5	16	5089	0	2042	6182	0	2098	6838	0	2187	7276	0	2247	8369	0	2514	9900	0	2547	11030	0	2616	12730	0	2746
	18	5114	0	2070	6213	0	2125	6873	0	2233	7312	0	2305	8411	0	2578	9950	0	2677	10990	0	2732	10851	0	2760
	20	5140	0	2098	6245	0	2153	6907	0	2269	7349	0	2346	8454	0	2622	10000	0	2760	10331	0	2760	10884	0	2760
	22	5166	0	2125	6276	0	2180	6942	0	2316	7386	0	2407	8496	0	2685	10020	0	2760	10352	0	2760	10905	0	2760
	24	5192	0	2153	6307	0	2208	6976	0	2362	7423	0	2465	8538	0	2749	10040	0	2760	10373	0	2760	10927	0	2760
1.8+2.5+3.5	16	5445	0	2131	6615	0	2189	7317	0	2282	7785	0	2344	8955	0	2624	10593	0	2658	11802	0	2730	13621	0	2866
	18	5473	0	2160	6648	0	2218	7354	0	2330	7824	0	2405	9000	0	2690	10647	0	2794	11759	0	2851	11611	0	2880
	20	5500	0	2189	6682	0	2246	7391	0	2367	7864	0	2448	9045	0	2736	10700	0	2880	11055	0	2880	11645	0	2880
	22	5528	0	2218	6715	0	2275	7428	0	2417	7903	0	2511	9091	0	2802	10721	0	2880	11077	0	2880	11669	0	2880
	24	5555	0	2246	6749	0	2304	7465	0	2465	7942	0	2572	9136	0	2868	10743	0	2880	11099	0	2880	11692	0	2880
1.8+2.5+5.0	16	5903	0	2383	7171	0	2447	7932	0	2552	8440	0	2621	9708	0	2933	11484	0	2972	12795	0	3053	14767	0	3204
	18	5933	0	2415	7208	0	2479	7973	0	2605	8482	0	2689	9757	0	3007	11542	0	3123	12748	0	3188	12587	0	3220
	20	5963	0	2447	7244	0	2512	8013	0	2647	8525	0	2737	9806	0	3059	11600	0	3220	11984	0	3220	12625	0	3220
	22	5992	0	2479	7280	0	2544	8053	0	2702	8568	0	2808	9855	0	3133	11623	0	3220	12008	0	3220	12650	0	3220
	24	6022	0	2512	7316	0	2576	8093	0	2756	8610	0	2875	9904	0	3207	11646	0	3220	12032	0	3220	12675	0	3220
1.8+3.5+3.5	16	5903	0	2264	7171	0	2326	7932	0	2425	8440	0	2491	9708	0	2788	11484	0	2824	12795	0	2901	14767	0	3045
	18	5933	0	2295	7208	0	2356	7973	0	2476	8482	0	2555	9757	0	2858	11542	0	2968	12748	0	3029	12587	0	3060
	20	5963	0	2326	7244	0	2387	8013	0	2515	8525	0	2601	9806	0	2907	11600	0	3060	11984	0	3060	12625	0	3060
	22	5992	0	2356	7280	0	2417	8053	0	2568	8568	0	2668	9855	0	2977	11623	0	3060	12008	0	3060	12650	0	3060
	24	6022	0	2387	7316	0	2448	8093	0	2619	8610	0	2733	9904	0	3048	11646	0	3060	12032	0	3060	12675	0	3060
1.8+3.5+5.0	16	5903	0	2464	7171	0	2531	7932	0	2639	8440	0	2711	9708	0	3034	11484	0	3074	12795	0	3157	14767	0	3313
	18	5933	0	2498	7208	0	2564	7973	0	2694	8482	0	2781	9757	0	3110	11542	0	3230	12748	0	3297	12587	0	3330
	20	5963	0	2531	7244	0	2597	8013	0	2737	8525	0	2831	9806	0	3164	11600	0	3330	11984	0	3330	12625	0	3330
	22	5992	0	2564	7280	0	2631	8053	0	2795	8568	0	2904	9855	0	3240	11623	0	3330	12008	0	3330	12650	0	3330
	24	6022	0	2597	7316	0	2664	8093	0	2850	8610	0	2974	9904	0	3317	11646	0	3330	12032	0	3330	12675	0	3330
1.8+5.0+5.0	16	5903	0	2464	7171	0	2531	7932	0	2639	8440	0	2711	9708	0	3034	11484	0	3074	12795	0	3157	14767	0	3313
	18	5933	0	2498	7208	0	2564	7973	0	2694	8482	0	2781	9757	0	3110	11542	0	3230	12748	0	3297	12587	0	3330
	20	5963	0	2531	7244	0	2597	8013	0	2737	8525	0	2831	9806	0	3164	11600	0	3330	11984	0	3330	12625	0	3330
	22	5992	0	2564	7280	0	2631	8053	0	2795	8568	0	2904	9855	0	3240	11623	0	3330	12008	0	3330	12650	0	3330
	24	6022	0	2597	7316	0	2664	8093	0	2850	8610	0	2974	9904	0	3317	11646	0	3330	12032	0	3330	12675	0	3330
2.5+2.5+2.5	16	5292	0	2161	6430	0	2219	7112	0	2314	7567	0	2377	8704	0	2660	10296	0	2695	11471	0	2768	13239	0	2905
	18	5319	0	2190	6462	0	2248	7148	0	2362	7605	0	2438	8748	0	2727	10348	0	2832	11430	0	2891	11285	0	2920
	20	5346	0	2219	6494	0	2278	7184	0	2400	7643	0	2482	8792	0	2774	10400	0	2920	10745	0	2920	11319	0	2920
	22	5373	0	2248	6527	0	2307	7220	0	2450	7681	0	2546	8836	0	2841	10421	0	2920	10766	0	2920	11342	0	2920
	24	5399	0	2278	6559	0	2336	7256	0	2499	7720	0	2608	8880	0	2908	10442	0	2920	10788	0	2920	11364	0	2920
2.5+2.5+3.5	16	5699	0	2272	6924	0	2333	7659	0	2433	8149	0	2499	9373	0	2797	11088	0	2834	12354	0	2910	14258	0	3055
	18	5728	0	2303	6959	0	2364	7698	0	2484	8190	0	2563	9421	0	2867	11144	0	2978	12309	0	3039	12153	0	3070
	20	5757	0	2333	6994	0	2395	7736	0	2524	8231	0	2610	9468	0	2917	11200	0	3070	11571	0	3070	12190	0	3070
	22	5786	0	2364	7029	0	2425	7775	0	2576	8272	0	2677	9515	0	2987	11222	0	3070	11594	0	3070	12214	0	3070
	24	5815	0	2395	7064	0	2456	7814	0	2627	8313	0	2742	9563	0	3058	11245	0	3070	11617	0	3070	12238	0	3070

	INDOOR		OUTDOOR TEMPERATURE (°CDB)																							
	EDB	-15			-10			-7			-5			0			7			10			15			
	°C	TC	SHC	PI	TC	SHC	PI	TC	SHC	PI	TC	SHC	PI	TC	SHC	PI	TC	SHC	PI	TC	SHC	PI	TC	SHC	PI	
2.5+2.5+5.0	16	5903	0	2464	7171	0	2531	7932	0	2639	8440	0	2711	9708	0	3034	11484	0	3074	12795	0	3157	14767	0	3313	
	18	5933	0	2498	7208	0	2564	7973	0	2694	8482	0	2781	9757	0	3110	11542	0	3230	12748	0	3297	12587	0	3330	
	20	5963	0	2531	7244	0	2597	8013	0	2737	8525	0	2831	9806	0	3164	11600	0	3330	11984	0	3330	12625	0	3330	
	22	5992	0	2564	7280	0	2631	8053	0	2795	8568	0	2904	9855	0	3240	11623	0	3330	12008	0	3330	12650	0	3330	
	24	6022	0	2597	7316	0	2664	8093	0	2850	8610	0	2974	9904	0	3317	11646	0	3330	12032	0	3330	12675	0	3330	
2.5+3.5+3.5	16	5903	0	2383	7171	0	2447	7932	0	2552	8440	0	2621	9708	0	2933	11484	0	2972	12795	0	3053	14767	0	3204	
	18	5933	0	2415	7208	0	2479	7973	0	2605	8482	0	2689	9757	0	3007	11542	0	3123	12748	0	3188	12587	0	3220	
	20	5963	0	2447	7244	0	2512	8013	0	2647	8525	0	2737	9806	0	3059	11600	0	3220	11984	0	3220	12625	0	3220	
	22	5992	0	2479	7280	0	2544	8053	0	2702	8568	0	2808	9855	0	3133	11623	0	3220	12008	0	3220	12650	0	3220	
	24	6022	0	2512	7316	0	2576	8093	0	2756	8610	0	2875	9904	0	3207	11646	0	3220	12032	0	3220	12675	0	3220	
2.5+3.5+5.0	16	5903	0	2464	7171	0	2531	7932	0	2639	8440	0	2711	9708	0	3034	11484	0	3074	12795	0	3157	14767	0	3313	
	18	5933	0	2498	7208	0	2564	7973	0	2694	8482	0	2781	9757	0	3110	11542	0	3230	12748	0	3297	12587	0	3330	
	20	5963	0	2531	7244	0	2597	8013	0	2737	8525	0	2831	9806	0	3164	11600	0	3330	11984	0	3330	12625	0	3330	
	22	5992	0	2564	7280	0	2631	8053	0	2795	8568	0	2904	9855	0	3240	11623	0	3330	12008	0	3330	12650	0	3330	
	24	6022	0	2597	7316	0	2664	8093	0	2850	8610	0	2974	9904	0	3317	11646	0	3330	12032	0	3330	12675	0	3330	
2.5+5.0+5.0	16	5954	0	2457	7233	0	2523	8001	0	2631	8513	0	2702	9792	0	3025	11583	0	3064	12905	0	3147	14894	0	3303	
	18	5984	0	2490	7270	0	2556	8041	0	2686	8556	0	2772	9841	0	3101	11642	0	3220	12858	0	3287	12696	0	3320	
	20	6014	0	2523	7306	0	2590	8082	0	2729	8599	0	2822	9891	0	3154	11700	0	3320	12088	0	3320	12734	0	3320	
	22	6044	0	2556	7343	0	2623	8122	0	2786	8642	0	2895	9940	0	3230	11723	0	3320	12112	0	3320	12759	0	3320	
	24	6074	0	2590	7379	0	2656	8162	0	2841	8685	0	2965	9990	0	3307	11747	0	3320	12136	0	3320	12785	0	3320	
3.5+3.5+3.5	16	5903	0	2464	7171	0	2531	7932	0	2639	8440	0	2711	9708	0	3034	11484	0	3074	12795	0	3157	14767	0	3313	
	18	5933	0	2498	7208	0	2564	7973	0	2694	8482	0	2781	9757	0	3110	11542	0	3230	12748	0	3297	12587	0	3330	
	20	5963	0	2531	7244	0	2597	8013	0	2737	8525	0	2831	9806	0	3164	11600	0	3330	11984	0	3330	12625	0	3330	
	22	5992	0	2564	7280	0	2631	8053	0	2795	8568	0	2904	9855	0	3240	11623	0	3330	12008	0	3330	12650	0	3330	
	24	6022	0	2597	7316	0	2664	8093	0	2850	8610	0	2974	9904	0	3317	11646	0	3330	12032	0	3330	12675	0	3330	
3.5+3.5+5.0	16	5954	0	2457	7233	0	2523	8001	0	2631	8513	0	2702	9792	0	3025	11583	0	3064	12905	0	3147	14894	0	3303	
	18	5984	0	2490	7270	0	2556	8041	0	2686	8556	0	2772	9841	0	3101	11642	0	3220	12858	0	3287	12696	0	3320	
	20	6014	0	2523	7306	0	2590	8082	0	2729	8599	0	2822	9891	0	3154	11700	0	3320	12088	0	3320	12734	0	3320	
	22	6044	0	2556	7343	0	2623	8122	0	2786	8642	0	2895	9940	0	3230	11723	0	3320	12112	0	3320	12759	0	3320	
	24	6074	0	2590	7379	0	2656	8162	0	2841	8685	0	2965	9990	0	3307	11747	0	3320	12136	0	3320	12785	0	3320	
3.5+5.0+5.0	16	5954	0	2457	7233	0	2523	8001	0	2631	8513	0	2702	9792	0	3025	11583	0	3064	12905	0	3147	14894	0	3303	
	18	5984	0	2490	7270	0	2556	8041	0	2686	8556	0	2772	9841	0	3101	11642	0	3220	12858	0	3287	12696	0	3320	
	20	6014	0	2523	7306	0	2590	8082	0	2729	8599	0	2822	9891	0	3154	11700	0	3320	12088	0	3320	12734	0	3320	
	22	6044	0	2556	7343	0	2623	8122	0	2786	8642	0	2895	9940	0	3230	11723	0	3320	12112	0	3320	12759	0	3320	
	24	6074	0	2590	7379	0	2656	8162	0	2841	8685	0	2965	9990	0	3307	11747	0	3320	12136	0	3320	12785	0	3320	
5.0+5.0+5.0	16	6157	0	2353	7481	0	2417	8274	0	2520	8804	0	2589	10127	0	2897	11979	0	2935	13346	0	3015	15403	0	3164	
	18	6189	0	2385	7518	0	2449	8316	0	2573	8848	0	2655	10178	0	2970	12040	0	3085	13298	0	3148	13130	0	3180	
	20	6220	0	2417	7556	0	2480	8358	0	2614	8893	0	2703	10229	0	3021	12100	0	3180	12501	0	3180	13169	0	3180	
	22	6251	0	2449	7594	0	2512	8400	0	2669	8937	0	2773	10280	0	3094	12124	0	3180	12526	0	3180	13195	0	3180	
	24	6282	0	2480	7632	0	2544	8442	0	2721	8981	0	2840	10331	0	3167	12148	0	3180	12551	0	3180	13222	0	3180	

	INDOOR	OUTDOOR TEMPERATURE (°CDB)																							
	EDB	-15			-10			-7			-5			0			7			10			15		
	°C	TC	SHC	PI	TC	SHC	PI	TC	SHC	PI	TC	SHC	PI	TC	SHC	PI	TC	SHC	PI	TC	SHC	PI	TC	SHC	PI
1.5+1.5+1.5+1.5	16	4325	0	1962	5255	0	2016	5813	0	2101	6184	0	2159	7114	0	2416	8415	0	2448	9376	0	2514	10821	0	2639
	18	4347	0	1989	5281	0	2042	5842	0	2145	6216	0	2214	7150	0	2477	8458	0	2572	9342	0	2625	9223	0	2652
	20	4369	0	2016	5308	0	2069	5871	0	2180	6247	0	2254	7186	0	2519	8500	0	2652	8782	0	2652	9251	0	2652
	22	4391	0	2042	5335	0	2095	5901	0	2226	6278	0	2313	7222	0	2580	8517	0	2652	8799	0	2652	9270	0	2652
	24	4413	0	2069	5361	0	2122	5930	0	2270	6309	0	2368	7258	0	2641	8534	0	2652	8817	0	2652	9288	0	2652
1.5+1.5+1.5+1.8	16	4580	0	2042	5564	0	2098	6154	0	2187	6548	0	2247	7532	0	2514	8910	0	2547	9927	0	2616	11457	0	2746
	18	4603	0	2070	5592	0	2125	6186	0	2233	6581	0	2305	7570	0	2578	8955	0	2677	9891	0	2732	9766	0	2760
	20	4626	0	2098	5620	0	2153	6217	0	2269	6614	0	2346	7608	0	2622	9000	0	2760	9298	0	2760	9795	0	2760
	22	4649	0	2125	5648	0	2180	6248	0	2316	6647	0	2407	7646	0	2685	9018	0	2760	9317	0	2760	9815	0	2760
	24	4672	0	2153	5676	0	2208	6279	0	2362	6680	0	2465	7684	0	2749	9036	0	2760	9335	0	2760	9834	0	2760
1.5+1.5+1.5+2.5	16	5038	0	2247	6120	0	2307	6770	0	2406	7203	0	2471	8285	0	2766	9801	0	2802	10920	0	2878	12603	0	3021
	18	5063	0	2277	6151	0	2338	6804	0	2456	7239	0	2535	8327	0	2836	9851	0	2945	10880	0	3006	10742	0	3036
	20	5089	0	2307	6182	0	2368	6838	0	2496	7276	0	2581	8369	0	2884	9900	0	3036	10228	0	3036	10775	0	3036
	22	5114	0	2338	6213	0	2398	6873	0	2548	7312	0	2647	8411	0	2954	9920	0	3036	10248	0	3036	10796	0	3036
	24	5140	0	2368	6244	0	2429	6907	0	2598	7348	0	2711	8453	0	3024	9940	0	3036	10269	0	3036	10818	0	3036
1.5+1.5+1.5+3.5	16	5496	0	2566	6677	0	2636	7385	0	2748	7858	0	2823	9039	0	3159	10692	0	3201	11912	0	3288	13748	0	3451
	18	5524	0	2601	6711	0	2670	7423	0	2806	7897	0	2896	9084	0	3239	10746	0	3364	11869	0	3433	11719	0	3468
	20	5551	0	2636	6744	0	2705	7460	0	2851	7937	0	2948	9130	0	3295	10800	0	3468	11158	0	3468	11754	0	3468
	22	5579	0	2670	6778	0	2740	7497	0	2910	7977	0	3024	9176	0	3374	10822	0	3468	11180	0	3468	11778	0	3468
	24	5607	0	2705	6812	0	2774	7535	0	2968	8017	0	3097	9221	0	3454	10843	0	3468	11202	0	3468	11801	0	3468
1.5+1.5+1.5+5	16	5852	0	2486	7110	0	2554	7864	0	2662	8367	0	2735	9625	0	3061	11385	0	3101	12685	0	3185	14640	0	3343
	18	5882	0	2520	7145	0	2587	7904	0	2718	8409	0	2806	9673	0	3138	11443	0	3259	12639	0	3326	12479	0	3360
	20	5911	0	2554	7181	0	2621	7944	0	2762	8452	0	2856	9722	0	3192	11500	0	3360	11881	0	3360	12516	0	3360
	22	5941	0	2587	7217	0	2654	7983	0	2820	8494	0	2930	9770	0	3269	11523	0	3360	11905	0	3360	12541	0	3360
	24	5970	0	2621	7253	0	2688	8023	0	2875	8536	0	3000	9819	0	3347	11546	0	3360	11929	0	3360	12566	0	3360
1.5+1.5+1.8+1.8	16	4834	0	2256	5873	0	2316	6496	0	2415	6912	0	2481	7951	0	2777	9405	0	2813	10479	0	2890	12094	0	3033
	18	4859	0	2286	5903	0	2347	6529	0	2466	6947	0	2545	7991	0	2847	9453	0	2957	10441	0	3018	10308	0	3048
	20	4883	0	2316	5932	0	2377	6562	0	2505	6982	0	2591	8031	0	2896	9500	0	3048	9815	0	3048	10339	0	3048
	22	4908	0	2347	5962	0	2408	6595	0	2558	7017	0	2658	8071	0	2966	9519	0	3048	9834	0	3048	10360	0	3048
	24	4932	0	2377	5992	0	2438	6628	0	2608	7052	0	2722	8111	0	3036	9538	0	3048	9854	0	3048	10381	0	3048
1.5+1.5+1.8+2.5	16	5292	0	2327	6430	0	2389	7112	0	2491	7567	0	2559	8704	0	2864	10296	0	2902	11471	0	2981	13239	0	3128
	18	5319	0	2358	6462	0	2421	7148	0	2543	7605	0	2625	8748	0	2936	10348	0	3050	11430	0	3113	11285	0	3144
	20	5346	0	2389	6494	0	2452	7184	0	2584	7643	0	2672	8792	0	2987	10400	0	3144	10745	0	3144	11319	0	3144
	22	5373	0	2421	6527	0	2484	7220	0	2638	7681	0	2742	8836	0	3059	10421	0	3144	10766	0	3144	11342	0	3144
	24	5399	0	2452	6559	0	2515	7256	0	2691	7720	0	2808	8880	0	3131	10442	0	3144	10788	0	3144	11364	0	3144
1.5+1.5+1.8+3.5	16	5750	0	2566	6986	0	2636	7727	0	2748	8222	0	2823	9457	0	3159	11187	0	3201	12464	0	3288	14385	0	3451
	18	5779	0	2601	7021	0	2670	7766	0	2806	8263	0	2896	9505	0	3239	11244	0	3364	12419	0	3433	12262	0	3468
	20	5808	0	2636	7057	0	2705	7805	0	2851	8305	0	2948	9553	0	3295	11300	0	3468	11674	0	3468	12298	0	3468
	22	5837	0	2670	7092	0	2740	7844	0	2910	8346	0	3024	9600	0	3374	11323	0	3468	11698	0	3468	12323	0	3468
	24	5867	0	2705	7127	0	2774	7883	0	2968	8388	0	3097	9648	0	3454	11345	0	3468	11721	0	3468	12348	0	3468

	INDOOR		OUTDOOR TEMPERATURE (°CDB)																							
	EDB	-15			-10			-7			-5			0			7			10			15			
		°C	TC	SHC	PI	TC	SHC	PI	TC	SHC	PI	TC	SHC	PI	TC	SHC	PI	TC	SHC	PI	TC	SHC	PI	TC	SHC	PI
1.5+1.5+1.8+5	16	5852	0	2486	7110	0	2554	7864	0	2662	8367	0	2735	9625	0	3061	11385	0	3101	12685	0	3185	14640	0	3343	
	18	5882	0	2520	7145	0	2587	7904	0	2718	8409	0	2806	9673	0	3138	11443	0	3259	12639	0	3326	12479	0	3360	
	20	5911	0	2554	7181	0	2621	7944	0	2762	8452	0	2856	9722	0	3192	11500	0	3360	11881	0	3360	12516	0	3360	
	22	5941	0	2587	7217	0	2654	7983	0	2820	8494	0	2930	9770	0	3269	11523	0	3360	11905	0	3360	12541	0	3360	
	24	5970	0	2621	7253	0	2688	8023	0	2875	8536	0	3000	9819	0	3347	11546	0	3360	11929	0	3360	12566	0	3360	
1.5+1.5+2.5+2.5	16	5750	0	2531	6986	0	2599	7727	0	2710	8222	0	2784	9457	0	3116	11187	0	3157	12464	0	3242	14385	0	3403	
	18	5779	0	2565	7021	0	2633	7766	0	2767	8263	0	2856	9505	0	3194	11244	0	3317	12419	0	3386	12262	0	3420	
	20	5808	0	2599	7057	0	2668	7805	0	2811	8305	0	2907	9553	0	3249	11300	0	3420	11674	0	3420	12298	0	3420	
	22	5837	0	2633	7092	0	2702	7844	0	2870	8346	0	2982	9600	0	3328	11323	0	3420	11698	0	3420	12323	0	3420	
	24	5867	0	2668	7127	0	2736	7883	0	2927	8388	0	3054	9648	0	3406	11345	0	3420	11721	0	3420	12348	0	3420	
1.5+1.5+2.5+3.5	16	5852	0	2486	7110	0	2554	7864	0	2662	8367	0	2735	9625	0	3061	11385	0	3101	12685	0	3185	14640	0	3343	
	18	5882	0	2520	7145	0	2587	7904	0	2718	8409	0	2806	9673	0	3138	11443	0	3259	12639	0	3326	12479	0	3360	
	20	5911	0	2554	7181	0	2621	7944	0	2762	8452	0	2856	9722	0	3192	11500	0	3360	11881	0	3360	12516	0	3360	
	22	5941	0	2587	7217	0	2654	7983	0	2820	8494	0	2930	9770	0	3269	11523	0	3360	11905	0	3360	12541	0	3360	
	24	5970	0	2621	7253	0	2688	8023	0	2875	8536	0	3000	9819	0	3347	11546	0	3360	11929	0	3360	12566	0	3360	
1.5+1.5+2.5+5	16	5852	0	2486	7110	0	2554	7864	0	2662	8367	0	2735	9625	0	3061	11385	0	3101	12685	0	3185	14640	0	3343	
	18	5882	0	2520	7145	0	2587	7904	0	2718	8409	0	2806	9673	0	3138	11443	0	3259	12639	0	3326	12479	0	3360	
	20	5911	0	2554	7181	0	2621	7944	0	2762	8452	0	2856	9722	0	3192	11500	0	3360	11881	0	3360	12516	0	3360	
	22	5941	0	2587	7217	0	2654	7983	0	2820	8494	0	2930	9770	0	3269	11523	0	3360	11905	0	3360	12541	0	3360	
	24	5970	0	2621	7253	0	2688	8023	0	2875	8536	0	3000	9819	0	3347	11546	0	3360	11929	0	3360	12566	0	3360	
1.5+1.5+3.5+3.5	16	5852	0	2575	7110	0	2645	7864	0	2758	8367	0	2833	9625	0	3170	11385	0	3212	12685	0	3299	14640	0	3463	
	18	5882	0	2610	7145	0	2680	7904	0	2815	8409	0	2906	9673	0	3250	11443	0	3376	12639	0	3445	12479	0	3480	
	20	5911	0	2645	7181	0	2714	7944	0	2861	8452	0	2958	9722	0	3306	11500	0	3480	11881	0	3480	12516	0	3480	
	22	5941	0	2680	7217	0	2749	7983	0	2920	8494	0	3035	9770	0	3386	11523	0	3480	11905	0	3480	12541	0	3480	
	24	5970	0	2714	7253	0	2784	8023	0	2978	8536	0	3108	9819	0	3466	11546	0	3480	11929	0	3480	12566	0	3480	
1.5+1.5+3.5+5	16	5852	0	2486	7110	0	2554	7864	0	2662	8367	0	2735	9625	0	3061	11385	0	3101	12685	0	3185	14640	0	3343	
	18	5882	0	2520	7145	0	2587	7904	0	2718	8409	0	2806	9673	0	3138	11443	0	3259	12639	0	3326	12479	0	3360	
	20	5911	0	2554	7181	0	2621	7944	0	2762	8452	0	2856	9722	0	3192	11500	0	3360	11881	0	3360	12516	0	3360	
	22	5941	0	2587	7217	0	2654	7983	0	2820	8494	0	2930	9770	0	3269	11523	0	3360	11905	0	3360	12541	0	3360	
	24	5970	0	2621	7253	0	2688	8023	0	2875	8536	0	3000	9819	0	3347	11546	0	3360	11929	0	3360	12566	0	3360	
1.5+1.5+5+5	16	5852	0	2486	7110	0	2554	7864	0	2662	8367	0	2735	9625	0	3061	11385	0	3101	12685	0	3185	14640	0	3343	
	18	5882	0	2520	7145	0	2587	7904	0	2718	8409	0	2806	9673	0	3138	11443	0	3259	12639	0	3326	12479	0	3360	
	20	5911	0	2554	7181	0	2621	7944	0	2762	8452	0	2856	9722	0	3192	11500	0	3360	11881	0	3360	12516	0	3360	
	22	5941	0	2587	7217	0	2654	7983	0	2820	8494	0	2930	9770	0	3269	11523	0	3360	11905	0	3360	12541	0	3360	
	24	5970	0	2621	7253	0	2688	8023	0	2875	8536	0	3000	9819	0	3347	11546	0	3360	11929	0	3360	12566	0	3360	
1.5+1.8+1.8+1.8	16	5089	0	2327	6182	0	2389	6838	0	2491	7276	0	2559	8369	0	2864	9900	0	2902	11030	0	2981	12730	0	3128	
	18	5114	0	2358	6213	0	2421	6873	0	2543	7312	0	2625	8411	0	2936	9950	0	3050	10990	0	3113	10851	0	3144	
	20	5140	0	2389	6245	0	2452	6907	0	2584	7349	0	2672	8454	0	2987	10000	0	3144	10331	0	3144	10884	0	3144	
	22	5166	0	2421	6276	0	2484	6942	0	2638	7386	0	2742	8496	0	3059	10020	0	3144	10352	0	3144	10905	0	3144	
	24	5192	0	2452	6307	0	2515	6976	0	2691	7423	0	2808	8538	0	3131	10040	0	3144	10373	0	3144	10927	0	3144	

	INDOOR	OUTDOOR TEMPERATURE (°CDB)																							
	EDB	-15			-10			-7			-5			0			7			10			15		
	°C	TC	SHC	PI	TC	SHC	PI	TC	SHC	PI	TC	SHC	PI	TC	SHC	PI	TC	SHC	PI	TC	SHC	PI	TC	SHC	PI
1.5+1.8+1.8+2.5	16	5547	0	2566	6739	0	2636	7454	0	2748	7931	0	2823	9122	0	3159	10791	0	3201	12023	0	3288	13876	0	3451
	18	5575	0	2601	6773	0	2670	7491	0	2806	7971	0	2896	9168	0	3239	10846	0	3364	11979	0	3433	11828	0	3468
	20	5603	0	2636	6807	0	2705	7529	0	2851	8011	0	2948	9215	0	3295	10900	0	3468	11261	0	3468	11863	0	3468
	22	5631	0	2670	6841	0	2740	7567	0	2910	8051	0	3024	9261	0	3374	10922	0	3468	11284	0	3468	11887	0	3468
	24	5659	0	2705	6875	0	2774	7604	0	2968	8091	0	3097	9307	0	3454	10944	0	3468	11306	0	3468	11911	0	3468
1.5+1.8+1.8+3.5	16	5852	0	2486	7110	0	2554	7864	0	2662	8367	0	2735	9625	0	3061	11385	0	3101	12685	0	3185	14640	0	3343
	18	5882	0	2520	7145	0	2587	7904	0	2718	8409	0	2806	9673	0	3138	11443	0	3259	12639	0	3326	12479	0	3360
	20	5911	0	2554	7181	0	2621	7944	0	2762	8452	0	2856	9722	0	3192	11500	0	3360	11881	0	3360	12516	0	3360
	22	5941	0	2587	7217	0	2654	7983	0	2820	8494	0	2930	9770	0	3269	11523	0	3360	11905	0	3360	12541	0	3360
	24	5970	0	2621	7253	0	2688	8023	0	2875	8536	0	3000	9819	0	3347	11546	0	3360	11929	0	3360	12566	0	3360
1.5+1.8+1.8+5	16	5852	0	2486	7110	0	2554	7864	0	2662	8367	0	2735	9625	0	3061	11385	0	3101	12685	0	3185	14640	0	3343
	18	5882	0	2520	7145	0	2587	7904	0	2718	8409	0	2806	9673	0	3138	11443	0	3259	12639	0	3326	12479	0	3360
	20	5911	0	2554	7181	0	2621	7944	0	2762	8452	0	2856	9722	0	3192	11500	0	3360	11881	0	3360	12516	0	3360
	22	5941	0	2587	7217	0	2654	7983	0	2820	8494	0	2930	9770	0	3269	11523	0	3360	11905	0	3360	12541	0	3360
	24	5970	0	2621	7253	0	2688	8023	0	2875	8536	0	3000	9819	0	3347	11546	0	3360	11929	0	3360	12566	0	3360
1.5+1.8+2.5+2.5	16	5852	0	2486	7110	0	2554	7864	0	2662	8367	0	2735	9625	0	3061	11385	0	3101	12685	0	3185	14640	0	3343
	18	5882	0	2520	7145	0	2587	7904	0	2718	8409	0	2806	9673	0	3138	11443	0	3259	12639	0	3326	12479	0	3360
	20	5911	0	2554	7181	0	2621	7944	0	2762	8452	0	2856	9722	0	3192	11500	0	3360	11881	0	3360	12516	0	3360
	22	5941	0	2587	7217	0	2654	7983	0	2820	8494	0	2930	9770	0	3269	11523	0	3360	11905	0	3360	12541	0	3360
	24	5970	0	2621	7253	0	2688	8023	0	2875	8536	0	3000	9819	0	3347	11546	0	3360	11929	0	3360	12566	0	3360
1.5+1.8+2.5+3.5	16	5852	0	2486	7110	0	2554	7864	0	2662	8367	0	2735	9625	0	3061	11385	0	3101	12685	0	3185	14640	0	3343
	18	5882	0	2520	7145	0	2587	7904	0	2718	8409	0	2806	9673	0	3138	11443	0	3259	12639	0	3326	12479	0	3360
	20	5911	0	2554	7181	0	2621	7944	0	2762	8452	0	2856	9722	0	3192	11500	0	3360	11881	0	3360	12516	0	3360
	22	5941	0	2587	7217	0	2654	7983	0	2820	8494	0	2930	9770	0	3269	11523	0	3360	11905	0	3360	12541	0	3360
	24	5970	0	2621	7253	0	2688	8023	0	2875	8536	0	3000	9819	0	3347	11546	0	3360	11929	0	3360	12566	0	3360
1.5+1.8+2.5+5	16	5852	0	2486	7110	0	2554	7864	0	2662	8367	0	2735	9625	0	3061	11385	0	3101	12685	0	3185	14640	0	3343
	18	5882	0	2520	7145	0	2587	7904	0	2718	8409	0	2806	9673	0	3138	11443	0	3259	12639	0	3326	12479	0	3360
	20	5911	0	2554	7181	0	2621	7944	0	2762	8452	0	2856	9722	0	3192	11500	0	3360	11881	0	3360	12516	0	3360
	22	5941	0	2587	7217	0	2654	7983	0	2820	8494	0	2930	9770	0	3269	11523	0	3360	11905	0	3360	12541	0	3360
	24	5970	0	2621	7253	0	2688	8023	0	2875	8536	0	3000	9819	0	3347	11546	0	3360	11929	0	3360	12566	0	3360
1.5+1.8+3.5+3.5	16	5852	0	2486	7110	0	2554	7864	0	2662	8367	0	2735	9625	0	3061	11385	0	3101	12685	0	3185	14640	0	3343
	18	5882	0	2520	7145	0	2587	7904	0	2718	8409	0	2806	9673	0	3138	11443	0	3259	12639	0	3326	12479	0	3360
	20	5911	0	2554	7181	0	2621	7944	0	2762	8452	0	2856	9722	0	3192	11500	0	3360	11881	0	3360	12516	0	3360
	22	5941	0	2587	7217	0	2654	7983	0	2820	8494	0	2930	9770	0	3269	11523	0	3360	11905	0	3360	12541	0	3360
	24	5970	0	2621	7253	0	2688	8023	0	2875	8536	0	3000	9819	0	3347	11546	0	3360	11929	0	3360	12566	0	3360
1.5+1.8+3.5+5	16	5852	0	2486	7110	0	2554	7864	0	2662	8367	0	2735	9625	0	3061	11385	0	3101	12685	0	3185	14640	0	3343
	18	5882	0	2520	7145	0	2587	7904	0	2718	8409	0	2806	9673	0	3138	11443	0	3259	12639	0	3326	12479	0	3360
	20	5911	0	2554	7181	0	2621	7944	0	2762	8452	0	2856	9722	0	3192	11500	0	3360	11881	0	3360	12516	0	3360
	22	5941	0	2587	7217	0	2654	7983	0	2820	8494	0	2930	9770	0	3269	11523	0	3360	11905	0	3360	12541	0	3360
	24	5970	0	2621	7253	0	2688	8023	0	2875	8536	0	3000	9819	0	3347	11546	0	3360	11929	0	3360	12566	0	3360



	INDOOR		OUTDOOR TEMPERATURE (°CDB)																							
	EDB	-15			-10			-7			-5			0			7			10			15			
		°C	TC	SHC	PI	TC	SHC	PI	TC	SHC	PI	TC	SHC	PI	TC	SHC	PI	TC	SHC	PI	TC	SHC	PI	TC	SHC	PI
1.5+1.8+5+5	16	5852	0	2486	7110	0	2554	7864	0	2662	8367	0	2735	9625	0	3061	11385	0	3101	12685	0	3185	14640	0	3343	
	18	5882	0	2520	7145	0	2587	7904	0	2718	8409	0	2806	9673	0	3138	11443	0	3259	12639	0	3326	12479	0	3360	
	20	5911	0	2554	7181	0	2621	7944	0	2762	8452	0	2856	9722	0	3192	11500	0	3360	11881	0	3360	12516	0	3360	
	22	5941	0	2587	7217	0	2654	7983	0	2820	8494	0	2930	9770	0	3269	11523	0	3360	11905	0	3360	12541	0	3360	
	24	5970	0	2621	7253	0	2688	8023	0	2875	8536	0	3000	9819	0	3347	11546	0	3360	11929	0	3360	12566	0	3360	
1.5+2.5+2.5+2.5	16	5852	0	2486	7110	0	2554	7864	0	2662	8367	0	2735	9625	0	3061	11385	0	3101	12685	0	3185	14640	0	3343	
	18	5882	0	2520	7145	0	2587	7904	0	2718	8409	0	2806	9673	0	3138	11443	0	3259	12639	0	3326	12479	0	3360	
	20	5911	0	2554	7181	0	2621	7944	0	2762	8452	0	2856	9722	0	3192	11500	0	3360	11881	0	3360	12516	0	3360	
	22	5941	0	2587	7217	0	2654	7983	0	2820	8494	0	2930	9770	0	3269	11523	0	3360	11905	0	3360	12541	0	3360	
	24	5970	0	2621	7253	0	2688	8023	0	2875	8536	0	3000	9819	0	3347	11546	0	3360	11929	0	3360	12566	0	3360	
1.5+2.5+2.5+3.5	16	5852	0	2486	7110	0	2554	7864	0	2662	8367	0	2735	9625	0	3061	11385	0	3101	12685	0	3185	14640	0	3343	
	18	5882	0	2520	7145	0	2587	7904	0	2718	8409	0	2806	9673	0	3138	11443	0	3259	12639	0	3326	12479	0	3360	
	20	5911	0	2554	7181	0	2621	7944	0	2762	8452	0	2856	9722	0	3192	11500	0	3360	11881	0	3360	12516	0	3360	
	22	5941	0	2587	7217	0	2654	7983	0	2820	8494	0	2930	9770	0	3269	11523	0	3360	11905	0	3360	12541	0	3360	
	24	5970	0	2621	7253	0	2688	8023	0	2875	8536	0	3000	9819	0	3347	11546	0	3360	11929	0	3360	12566	0	3360	
1.5+2.5+2.5+5	16	5852	0	2486	7110	0	2554	7864	0	2662	8367	0	2735	9625	0	3061	11385	0	3101	12685	0	3185	14640	0	3343	
	18	5882	0	2520	7145	0	2587	7904	0	2718	8409	0	2806	9673	0	3138	11443	0	3259	12639	0	3326	12479	0	3360	
	20	5911	0	2554	7181	0	2621	7944	0	2762	8452	0	2856	9722	0	3192	11500	0	3360	11881	0	3360	12516	0	3360	
	22	5941	0	2587	7217	0	2654	7983	0	2820	8494	0	2930	9770	0	3269	11523	0	3360	11905	0	3360	12541	0	3360	
	24	5970	0	2621	7253	0	2688	8023	0	2875	8536	0	3000	9819	0	3347	11546	0	3360	11929	0	3360	12566	0	3360	
1.5+2.5+3.5+3.5	16	5852	0	2486	7110	0	2554	7864	0	2662	8367	0	2735	9625	0	3061	11385	0	3101	12685	0	3185	14640	0	3343	
	18	5882	0	2520	7145	0	2587	7904	0	2718	8409	0	2806	9673	0	3138	11443	0	3259	12639	0	3326	12479	0	3360	
	20	5911	0	2554	7181	0	2621	7944	0	2762	8452	0	2856	9722	0	3192	11500	0	3360	11881	0	3360	12516	0	3360	
	22	5941	0	2587	7217	0	2654	7983	0	2820	8494	0	2930	9770	0	3269	11523	0	3360	11905	0	3360	12541	0	3360	
	24	5970	0	2621	7253	0	2688	8023	0	2875	8536	0	3000	9819	0	3347	11546	0	3360	11929	0	3360	12566	0	3360	
1.5+2.5+3.5+5	16	5852	0	2486	7110	0	2554	7864	0	2662	8367	0	2735	9625	0	3061	11385	0	3101	12685	0	3185	14640	0	3343	
	18	5882	0	2520	7145	0	2587	7904	0	2718	8409	0	2806	9673	0	3138	11443	0	3259	12639	0	3326	12479	0	3360	
	20	5911	0	2554	7181	0	2621	7944	0	2762	8452	0	2856	9722	0	3192	11500	0	3360	11881	0	3360	12516	0	3360	
	22	5941	0	2587	7217	0	2654	7983	0	2820	8494	0	2930	9770	0	3269	11523	0	3360	11905	0	3360	12541	0	3360	
	24	5970	0	2621	7253	0	2688	8023	0	2875	8536	0	3000	9819	0	3347	11546	0	3360	11929	0	3360	12566	0	3360	
1.5+2.5+5+5	16	5852	0	2486	7110	0	2554	7864	0	2662	8367	0	2735	9625	0	3061	11385	0	3101	12685	0	3185	14640	0	3343	
	18	5882	0	2520	7145	0	2587	7904	0	2718	8409	0	2806	9673	0	3138	11443	0	3259	12639	0	3326	12479	0	3360	
	20	5911	0	2554	7181	0	2621	7944	0	2762	8452	0	2856	9722	0	3192	11500	0	3360	11881	0	3360	12516	0	3360	
	22	5941	0	2587	7217	0	2654	7983	0	2820	8494	0	2930	9770	0	3269	11523	0	3360	11905	0	3360	12541	0	3360	
	24	5970	0	2621	7253	0	2688	8023	0	2875	8536	0	3000	9819	0	3347	11546	0	3360	11929	0	3360	12566	0	3360	
1.8+1.8+1.8+1.8	16	5547	0	2013	6739	0	2067	7454	0	2155	7931	0	2214	9122	0	2478	10791	0	2511	12023	0	2579	13876	0	2706	
	18	5575	0	2040	6773	0	2094	7491	0	2200	7971	0	2271	9168	0	2540	10846	0	2638	11979	0	2693	11828	0	2720	
	20	5603	0	2067	6807	0	2122	7529	0	2236	8011	0	2312	9215	0	2584	10900	0	2720	11261	0	2720	11863	0	2720	
	22	5631	0	2094	6841	0	2149	7567	0	2283	8051	0	2372	9261	0	2647	10922	0	2720	11284	0	2720	11887	0	2720	
	24	5659	0	2122	6875	0	2176	7604	0	2328	8091	0	2429	9307	0	2709	10944	0	2720	11306	0	2720	11911	0	2720	

	INDOOR	OUTDOOR TEMPERATURE (°CDB)																							
	EDB	-15			-10			-7			-5			0			7			10			15		
	°C	TC	SHC	PI	TC	SHC	PI	TC	SHC	PI	TC	SHC	PI	TC	SHC	PI	TC	SHC	PI	TC	SHC	PI	TC	SHC	PI
1.8+1.8+1.8+2.5	16	5649	0	2257	6862	0	2318	7591	0	2417	8076	0	2483	9290	0	2779	10989	0	2815	12243	0	2891	14130	0	3035
	18	5677	0	2288	6897	0	2349	7629	0	2467	8117	0	2547	9337	0	2849	11045	0	2959	12199	0	3020	12045	0	3050
	20	5706	0	2318	6932	0	2379	7667	0	2507	8158	0	2593	9384	0	2898	11100	0	3050	11468	0	3050	12081	0	3050
	22	5734	0	2349	6966	0	2410	7706	0	2560	8198	0	2660	9431	0	2968	11122	0	3050	11491	0	3050	12105	0	3050
	24	5763	0	2379	7001	0	2440	7744	0	2610	8239	0	2724	9477	0	3038	11144	0	3050	11514	0	3050	12129	0	3050
1.8+1.8+1.8+3.5	16	5801	0	2235	7048	0	2295	7796	0	2393	8294	0	2458	9541	0	2751	11286	0	2787	12574	0	2863	14512	0	3005
	18	5831	0	2265	7083	0	2325	7835	0	2443	8336	0	2522	9589	0	2821	11343	0	2929	12529	0	2990	12370	0	3020
	20	5860	0	2295	7119	0	2356	7874	0	2482	8378	0	2567	9637	0	2869	11400	0	3020	11778	0	3020	12407	0	3020
	22	5889	0	2325	7155	0	2386	7914	0	2534	8420	0	2633	9685	0	2938	11423	0	3020	11801	0	3020	12432	0	3020
	24	5918	0	2356	7190	0	2416	7953	0	2585	8462	0	2697	9734	0	3008	11446	0	3020	11825	0	3020	12457	0	3020
1.8+1.8+1.8+5.0	16	5801	0	2235	7048	0	2295	7796	0	2393	8294	0	2458	9541	0	2751	11286	0	2787	12574	0	2863	14512	0	3005
	18	5831	0	2265	7083	0	2325	7835	0	2443	8336	0	2522	9589	0	2821	11343	0	2929	12529	0	2990	12370	0	3020
	20	5860	0	2295	7119	0	2356	7874	0	2482	8378	0	2567	9637	0	2869	11400	0	3020	11778	0	3020	12407	0	3020
	22	5889	0	2325	7155	0	2386	7914	0	2534	8420	0	2633	9685	0	2938	11423	0	3020	11801	0	3020	12432	0	3020
	24	5918	0	2356	7190	0	2416	7953	0	2585	8462	0	2697	9734	0	3008	11446	0	3020	11825	0	3020	12457	0	3020
1.8+1.8+2.5+2.5	16	5699	0	2242	6924	0	2303	7659	0	2401	8149	0	2466	9373	0	2760	11088	0	2797	12354	0	2872	14258	0	3015
	18	5728	0	2273	6959	0	2333	7698	0	2451	8190	0	2530	9421	0	2830	11144	0	2939	12309	0	3000	12153	0	3030
	20	5757	0	2303	6994	0	2363	7736	0	2491	8231	0	2576	9468	0	2879	11200	0	3030	11571	0	3030	12190	0	3030
	22	5786	0	2333	7029	0	2394	7775	0	2543	8272	0	2642	9515	0	2948	11222	0	3030	11594	0	3030	12214	0	3030
	24	5815	0	2363	7064	0	2424	7814	0	2593	8313	0	2706	9563	0	3018	11245	0	3030	11617	0	3030	12238	0	3030
1.8+1.8+2.5+3.5	16	5801	0	2235	7048	0	2295	7796	0	2393	8294	0	2458	9541	0	2751	11286	0	2787	12574	0	2863	14512	0	3005
	18	5831	0	2265	7083	0	2325	7835	0	2443	8336	0	2522	9589	0	2821	11343	0	2929	12529	0	2990	12370	0	3020
	20	5860	0	2295	7119	0	2356	7874	0	2482	8378	0	2567	9637	0	2869	11400	0	3020	11778	0	3020	12407	0	3020
	22	5889	0	2325	7155	0	2386	7914	0	2534	8420	0	2633	9685	0	2938	11423	0	3020	11801	0	3020	12432	0	3020
	24	5918	0	2356	7190	0	2416	7953	0	2585	8462	0	2697	9734	0	3008	11446	0	3020	11825	0	3020	12457	0	3020
1.8+1.8+2.5+5	16	5801	0	2235	7048	0	2295	7796	0	2393	8294	0	2458	9541	0	2751	11286	0	2787	12574	0	2863	14512	0	3005
	18	5831	0	2265	7083	0	2325	7835	0	2443	8336	0	2522	9589	0	2821	11343	0	2929	12529	0	2990	12370	0	3020
	20	5860	0	2295	7119	0	2356	7874	0	2482	8378	0	2567	9637	0	2869	11400	0	3020	11778	0	3020	12407	0	3020
	22	5889	0	2325	7155	0	2386	7914	0	2534	8420	0	2633	9685	0	2938	11423	0	3020	11801	0	3020	12432	0	3020
	24	5918	0	2356	7190	0	2416	7953	0	2585	8462	0	2697	9734	0	3008	11446	0	3020	11825	0	3020	12457	0	3020
1.8+1.8+3.5+3.5	16	5801	0	2235	7048	0	2295	7796	0	2393	8294	0	2458	9541	0	2751	11286	0	2787	12574	0	2863	14512	0	3005
	18	5831	0	2265	7083	0	2325	7835	0	2443	8336	0	2522	9589	0	2821	11343	0	2929	12529	0	2990	12370	0	3020
	20	5860	0	2295	7119	0	2356	7874	0	2482	8378	0	2567	9637	0	2869	11400	0	3020	11778	0	3020	12407	0	3020
	22	5889	0	2325	7155	0	2386	7914	0	2534	8420	0	2633	9685	0	2938	11423	0	3020	11801	0	3020	12432	0	3020
	24	5918	0	2356	7190	0	2416	7953	0	2585	8462	0	2697	9734	0	3008	11446	0	3020	11825	0	3020	12457	0	3020
1.8+1.8+3.5+5	16	5801	0	2235	7048	0	2295	7796	0	2393	8294	0	2458	9541	0	2751	11286	0	2787	12574	0	2863	14512	0	3005
	18	5831	0	2265	7083	0	2325	7835	0	2443	8336	0	2522	9589	0	2821	11343	0	2929	12529	0	2990	12370	0	3020
	20	5860	0	2295	7119	0	2356	7874	0	2482	8378	0	2567	9637	0	2869	11400	0	3020	11778	0	3020	12407	0	3020
	22	5889	0	2325	7155	0	2386	7914	0	2534	8420	0	2633	9685	0	2938	11423	0	3020	11801	0	3020	12432	0	3020
	24	5918	0	2356	7190	0	2416	7953	0	2585	8462	0	2697	9734	0	3008	11446	0	3020	11825	0	3020	12457	0	3020

	INDOOR		OUTDOOR TEMPERATURE (°CDB)																							
	EDB	-15			-10			-7			-5			0			7			10			15			
		°C	TC	SHC	PI	TC	SHC	PI	TC	SHC	PI	TC	SHC	PI	TC	SHC	PI	TC	SHC	PI	TC	SHC	PI	TC	SHC	PI
1.8+1.8+5+5	16	5903	0	2227	7171	0	2288	7932	0	2385	8440	0	2450	9708	0	2742	11484	0	2778	12795	0	2853	14767	0	2995	
	18	5933	0	2258	7208	0	2318	7973	0	2435	8482	0	2513	9757	0	2811	11542	0	2920	12748	0	2980	12587	0	3010	
	20	5963	0	2288	7244	0	2348	8013	0	2474	8525	0	2559	9806	0	2860	11600	0	3010	11984	0	3010	12625	0	3010	
	22	5992	0	2318	7280	0	2378	8053	0	2526	8568	0	2625	9855	0	2929	11623	0	3010	12008	0	3010	12650	0	3010	
	24	6022	0	2348	7316	0	2408	8093	0	2576	8610	0	2688	9904	0	2998	11646	0	3010	12032	0	3010	12675	0	3010	
1.8+2.5+2.5+2.5	16	5801	0	2235	7048	0	2295	7796	0	2393	8294	0	2458	9541	0	2751	11286	0	2787	12574	0	2863	14512	0	3005	
	18	5831	0	2265	7083	0	2325	7835	0	2443	8336	0	2522	9589	0	2821	11343	0	2929	12529	0	2990	12370	0	3020	
	20	5860	0	2295	7119	0	2356	7874	0	2482	8378	0	2567	9637	0	2869	11400	0	3020	11778	0	3020	12407	0	3020	
	22	5889	0	2325	7155	0	2386	7914	0	2534	8420	0	2633	9685	0	2938	11423	0	3020	11801	0	3020	12432	0	3020	
	24	5918	0	2356	7190	0	2416	7953	0	2585	8462	0	2697	9734	0	3008	11446	0	3020	11825	0	3020	12457	0	3020	
1.8+2.5+2.5+3.5	16	5801	0	2235	7048	0	2295	7796	0	2393	8294	0	2458	9541	0	2751	11286	0	2787	12574	0	2863	14512	0	3005	
	18	5831	0	2265	7083	0	2325	7835	0	2443	8336	0	2522	9589	0	2821	11343	0	2929	12529	0	2990	12370	0	3020	
	20	5860	0	2295	7119	0	2356	7874	0	2482	8378	0	2567	9637	0	2869	11400	0	3020	11778	0	3020	12407	0	3020	
	22	5889	0	2325	7155	0	2386	7914	0	2534	8420	0	2633	9685	0	2938	11423	0	3020	11801	0	3020	12432	0	3020	
	24	5918	0	2356	7190	0	2416	7953	0	2585	8462	0	2697	9734	0	3008	11446	0	3020	11825	0	3020	12457	0	3020	
1.8+2.5+2.5+5	16	5801	0	2235	7048	0	2295	7796	0	2393	8294	0	2458	9541	0	2751	11286	0	2787	12574	0	2863	14512	0	3005	
	18	5831	0	2265	7083	0	2325	7835	0	2443	8336	0	2522	9589	0	2821	11343	0	2929	12529	0	2990	12370	0	3020	
	20	5860	0	2295	7119	0	2356	7874	0	2482	8378	0	2567	9637	0	2869	11400	0	3020	11778	0	3020	12407	0	3020	
	22	5889	0	2325	7155	0	2386	7914	0	2534	8420	0	2633	9685	0	2938	11423	0	3020	11801	0	3020	12432	0	3020	
	24	5918	0	2356	7190	0	2416	7953	0	2585	8462	0	2697	9734	0	3008	11446	0	3020	11825	0	3020	12457	0	3020	
1.8+2.5+3.5+3.5	16	5801	0	2235	7048	0	2295	7796	0	2393	8294	0	2458	9541	0	2751	11286	0	2787	12574	0	2863	14512	0	3005	
	18	5831	0	2265	7083	0	2325	7835	0	2443	8336	0	2522	9589	0	2821	11343	0	2929	12529	0	2990	12370	0	3020	
	20	5860	0	2295	7119	0	2356	7874	0	2482	8378	0	2567	9637	0	2869	11400	0	3020	11778	0	3020	12407	0	3020	
	22	5889	0	2325	7155	0	2386	7914	0	2534	8420	0	2633	9685	0	2938	11423	0	3020	11801	0	3020	12432	0	3020	
	24	5918	0	2356	7190	0	2416	7953	0	2585	8462	0	2697	9734	0	3008	11446	0	3020	11825	0	3020	12457	0	3020	
1.8+2.5+3.5+5	16	5801	0	2235	7048	0	2295	7796	0	2393	8294	0	2458	9541	0	2751	11286	0	2787	12574	0	2863	14512	0	3005	
	18	5831	0	2265	7083	0	2325	7835	0	2443	8336	0	2522	9589	0	2821	11343	0	2929	12529	0	2990	12370	0	3020	
	20	5860	0	2295	7119	0	2356	7874	0	2482	8378	0	2567	9637	0	2869	11400	0	3020	11778	0	3020	12407	0	3020	
	22	5889	0	2325	7155	0	2386	7914	0	2534	8420	0	2633	9685	0	2938	11423	0	3020	11801	0	3020	12432	0	3020	
	24	5918	0	2356	7190	0	2416	7953	0	2585	8462	0	2697	9734	0	3008	11446	0	3020	11825	0	3020	12457	0	3020	
1.8+2.5+5+5	16	6157	0	2139	7481	0	2196	8274	0	2290	8804	0	2352	10127	0	2633	11979	0	2667	13346	0	2740	15403	0	2876	
	18	6189	0	2168	7518	0	2225	8316	0	2338	8848	0	2413	10178	0	2699	12040	0	2803	13298	0	2861	13130	0	2890	
	20	6220	0	2196	7556	0	2254	8358	0	2376	8893	0	2457	10229	0	2746	12100	0	2890	12501	0	2890	13169	0	2890	
	22	6251	0	2225	7594	0	2283	8400	0	2425	8937	0	2520	10280	0	2812	12124	0	2890	12526	0	2890	13195	0	2890	
	24	6282	0	2254	7632	0	2312	8442	0	2473	8981	0	2581	10331	0	2878	12148	0	2890	12551	0	2890	13222	0	2890	
1.8+3.5+3.5+3.5	16	5801	0	2235	7048	0	2295	7796	0	2393	8294	0	2458	9541	0	2751	11286	0	2787	12574	0	2863	14512	0	3005	
	18	5831	0	2265	7083	0	2325	7835	0	2443	8336	0	2522	9589	0	2821	11343	0	2929	12529	0	2990	12370	0	3020	
	20	5860	0	2295	7119	0	2356	7874	0	2482	8378	0	2567	9637	0	2869	11400	0	3020	11778	0	3020	12407	0	3020	
	22	5889	0	2325	7155	0	2386	7914	0	2534	8420	0	2633	9685	0	2938	11423	0	3020	11801	0	3020	12432	0	3020	
	24	5918	0	2356	7190	0	2416	7953	0	2585	8462	0	2697	9734	0	3008	11446	0	3020	11825	0	3020	12457	0	3020	

	INDOOR	OUTDOOR TEMPERATURE (°CDB)																							
	EDB	-15			-10			-7			-5			0			7			10			15		
	°C	TC	SHC	PI	TC	SHC	PI	TC	SHC	PI	TC	SHC	PI	TC	SHC	PI	TC	SHC	PI	TC	SHC	PI	TC	SHC	PI
1.8+3.5+3.5+5	16	6157	0	2279	7481	0	2341	8274	0	2441	8804	0	2507	10127	0	2806	11979	0	2843	13346	0	2920	15403	0	3065
	18	6189	0	2310	7518	0	2372	8316	0	2492	8848	0	2572	10178	0	2877	12040	0	2988	13298	0	3049	13130	0	3080
	20	6220	0	2341	7556	0	2402	8358	0	2532	8893	0	2618	10229	0	2926	12100	0	3080	12501	0	3080	13169	0	3080
	22	6251	0	2372	7594	0	2433	8400	0	2585	8937	0	2686	10280	0	2997	12124	0	3080	12526	0	3080	13195	0	3080
	24	6282	0	2402	7632	0	2464	8442	0	2636	8981	0	2750	10331	0	3068	12148	0	3080	12551	0	3080	13222	0	3080
1.8+3.5+5+5	16	6157	0	2139	7481	0	2196	8274	0	2290	8804	0	2352	10127	0	2633	11979	0	2667	13346	0	2740	15403	0	2876
	18	6189	0	2168	7518	0	2225	8316	0	2338	8848	0	2413	10178	0	2699	12040	0	2803	13298	0	2861	13130	0	2890
	20	6220	0	2196	7556	0	2254	8358	0	2376	8893	0	2457	10229	0	2746	12100	0	2890	12501	0	2890	13169	0	2890
	22	6251	0	2225	7594	0	2283	8400	0	2425	8937	0	2520	10280	0	2812	12124	0	2890	12526	0	2890	13195	0	2890
	24	6282	0	2254	7632	0	2312	8442	0	2473	8981	0	2581	10331	0	2878	12148	0	2890	12551	0	2890	13222	0	2890
2.5+2.5+2.5+2.5	16	5801	0	2235	7048	0	2295	7796	0	2393	8294	0	2458	9541	0	2751	11286	0	2787	12574	0	2863	14512	0	3005
	18	5831	0	2265	7083	0	2325	7835	0	2443	8336	0	2522	9589	0	2821	11343	0	2929	12529	0	2990	12370	0	3020
	20	5860	0	2295	7119	0	2356	7874	0	2482	8378	0	2567	9637	0	2869	11400	0	3020	11778	0	3020	12407	0	3020
	22	5889	0	2325	7155	0	2386	7914	0	2534	8420	0	2633	9685	0	2938	11423	0	3020	11801	0	3020	12432	0	3020
	24	5918	0	2356	7190	0	2416	7953	0	2585	8462	0	2697	9734	0	3008	11446	0	3020	11825	0	3020	12457	0	3020
2.5+2.5+2.5+3.5	16	5801	0	2235	7048	0	2295	7796	0	2393	8294	0	2458	9541	0	2751	11286	0	2787	12574	0	2863	14512	0	3005
	18	5831	0	2265	7083	0	2325	7835	0	2443	8336	0	2522	9589	0	2821	11343	0	2929	12529	0	2990	12370	0	3020
	20	5860	0	2295	7119	0	2356	7874	0	2482	8378	0	2567	9637	0	2869	11400	0	3020	11778	0	3020	12407	0	3020
	22	5889	0	2325	7155	0	2386	7914	0	2534	8420	0	2633	9685	0	2938	11423	0	3020	11801	0	3020	12432	0	3020
	24	5918	0	2356	7190	0	2416	7953	0	2585	8462	0	2697	9734	0	3008	11446	0	3020	11825	0	3020	12457	0	3020
2.5+2.5+3.5+5.0	16	5903	0	2227	7171	0	2288	7932	0	2385	8440	0	2450	9708	0	2742	11484	0	2778	12795	0	2853	14767	0	2995
	18	5933	0	2258	7208	0	2318	7973	0	2435	8482	0	2513	9757	0	2811	11542	0	2920	12748	0	2980	12587	0	3010
	20	5963	0	2288	7244	0	2348	8013	0	2474	8525	0	2559	9806	0	2860	11600	0	3010	11984	0	3010	12625	0	3010
	22	5992	0	2318	7280	0	2378	8053	0	2526	8568	0	2625	9855	0	2929	11623	0	3010	12008	0	3010	12650	0	3010
	24	6022	0	2348	7316	0	2408	8093	0	2576	8610	0	2688	9904	0	2998	11646	0	3010	12032	0	3010	12675	0	3010
2.5+2.5+5.0+5.0	16	6157	0	2139	7481	0	2196	8274	0	2290	8804	0	2352	10127	0	2633	11979	0	2667	13346	0	2740	15403	0	2876
	18	6189	0	2168	7518	0	2225	8316	0	2338	8848	0	2413	10178	0	2699	12040	0	2803	13298	0	2861	13130	0	2890
	20	6220	0	2196	7556	0	2254	8358	0	2376	8893	0	2457	10229	0	2746	12100	0	2890	12501	0	2890	13169	0	2890
	22	6251	0	2225	7594	0	2283	8400	0	2425	8937	0	2520	10280	0	2812	12124	0	2890	12526	0	2890	13195	0	2890
	24	6282	0	2254	7632	0	2312	8442	0	2473	8981	0	2581	10331	0	2878	12148	0	2890	12551	0	2890	13222	0	2890
2.5+3.5+3.5+3.5	16	5903	0	2227	7171	0	2288	7932	0	2385	8440	0	2450	9708	0	2742	11484	0	2778	12795	0	2853	14767	0	2995
	18	5933	0	2258	7208	0	2318	7973	0	2435	8482	0	2513	9757	0	2811	11542	0	2920	12748	0	2980	12587	0	3010
	20	5963	0	2288	7244	0	2348	8013	0	2474	8525	0	2559	9806	0	2860	11600	0	3010	11984	0	3010	12625	0	3010
	22	5992	0	2318	7280	0	2378	8053	0	2526	8568	0	2625	9855	0	2929	11623	0	3010	12008	0	3010	12650	0	3010
	24	6022	0	2348	7316	0	2408	8093	0	2576	8610	0	2688	9904	0	2998	11646	0	3010	12032	0	3010	12675	0	3010
2.5+3.5+3.5+5.0	16	6157	0	2139	7481	0	2196	8274	0	2290	8804	0	2352	10127	0	2633	11979	0	2667	13346	0	2740	15403	0	2876
	18	6189	0	2168	7518	0	2225	8316	0	2338	8848	0	2413	10178	0	2699	12040	0	2803	13298	0	2861	13130	0	2890
	20	6220	0	2196	7556	0	2254	8358	0	2376	8893	0	2457	10229	0	2746	12100	0	2890	12501	0	2890	13169	0	2890
	22	6251	0	2225	7594	0	2283	8400	0	2425	8937	0	2520	10280	0	2812	12124	0	2890	12526	0	2890	13195	0	2890
	24	6282	0	2254	7632	0	2312	8442	0	2473	8981	0	2581	10331	0	2878	12148	0	2890	12551	0	2890	13222	0	2890

	INDOOR	OUTDOOR TEMPERATURE (°CDB)																							
	EDB	-15			-10			-7			-5			0			7			10			15		
	°C	TC	SHC	PI	TC	SHC	PI	TC	SHC	PI	TC	SHC	PI	TC	SHC	PI	TC	SHC	PI	TC	SHC	PI	TC	SHC	PI
3.5+3.5+3.5+3.5	16	6157	0	2139	7481	0	2196	8274	0	2290	8804	0	2352	10127	0	2633	11979	0	2667	13346	0	2740	15403	0	2876
	18	6189	0	2168	7518	0	2225	8316	0	2338	8848	0	2413	10178	0	2699	12040	0	2803	13298	0	2861	13130	0	2890
	20	6220	0	2196	7556	0	2254	8358	0	2376	8893	0	2457	10229	0	2746	12100	0	2890	12501	0	2890	13169	0	2890
	22	6251	0	2225	7594	0	2283	8400	0	2425	8937	0	2520	10280	0	2812	12124	0	2890	12526	0	2890	13195	0	2890
	24	6282	0	2254	7632	0	2312	8442	0	2473	8981	0	2581	10331	0	2878	12148	0	2890	12551	0	2890	13222	0	2890
3.5+3.5+3.5+5.0	16	6157	0	2139	7481	0	2196	8274	0	2290	8804	0	2352	10127	0	2633	11979	0	2667	13346	0	2740	15403	0	2876
	18	6189	0	2168	7518	0	2225	8316	0	2338	8848	0	2413	10178	0	2699	12040	0	2803	13298	0	2861	13130	0	2890
	20	6220	0	2196	7556	0	2254	8358	0	2376	8893	0	2457	10229	0	2746	12100	0	2890	12501	0	2890	13169	0	2890
	22	6251	0	2225	7594	0	2283	8400	0	2425	8937	0	2520	10280	0	2812	12124	0	2890	12526	0	2890	13195	0	2890
	24	6282	0	2254	7632	0	2312	8442	0	2473	8981	0	2581	10331	0	2878	12148	0	2890	12551	0	2890	13222	0	2890
1.5+1.5+1.5+1.5+1.5	16	5343	0	2087	6491	0	2143	7180	0	2235	7639	0	2295	8788	0	2569	10395	0	2603	11582	0	2673	13367	0	2806
	18	5370	0	2115	6524	0	2171	7217	0	2281	7678	0	2355	8832	0	2634	10448	0	2735	11540	0	2792	11393	0	2820
	20	5397	0	2143	6557	0	2200	7253	0	2318	7717	0	2397	8876	0	2679	10500	0	2820	10848	0	2820	11428	0	2820
	22	5424	0	2171	6590	0	2228	7289	0	2367	7755	0	2459	8921	0	2744	10521	0	2820	10870	0	2820	11451	0	2820
	24	5451	0	2200	6623	0	2256	7325	0	2413	7794	0	2518	8965	0	2809	10542	0	2820	10891	0	2820	11473	0	2820
1.5+1.5+1.5+1.5+1.8	16	5598	0	2096	6800	0	2152	7522	0	2244	8003	0	2305	9206	0	2580	10890	0	2614	12133	0	2685	14003	0	2818
	18	5626	0	2124	6835	0	2181	7560	0	2291	8044	0	2365	9253	0	2645	10945	0	2747	12089	0	2804	11936	0	2832
	20	5654	0	2152	6869	0	2209	7598	0	2328	8084	0	2407	9299	0	2690	11000	0	2832	11364	0	2832	11972	0	2832
	22	5682	0	2181	6904	0	2237	7636	0	2377	8125	0	2470	9346	0	2756	11022	0	2832	11387	0	2832	11996	0	2832
	24	5711	0	2209	6938	0	2266	7674	0	2424	8165	0	2529	9392	0	2821	11044	0	2832	11410	0	2832	12020	0	2832
1.5+1.5+1.5+1.5+2.5	16	5852	0	2131	7110	0	2189	7864	0	2282	8367	0	2344	9625	0	2624	11385	0	2658	12685	0	2730	14640	0	2866
	18	5882	0	2160	7145	0	2218	7904	0	2330	8409	0	2405	9673	0	2690	11443	0	2794	12639	0	2851	12479	0	2880
	20	5911	0	2189	7181	0	2246	7944	0	2367	8452	0	2448	9722	0	2736	11500	0	2880	11881	0	2880	12516	0	2880
	22	5941	0	2218	7217	0	2275	7983	0	2417	8494	0	2511	9770	0	2802	11523	0	2880	11905	0	2880	12541	0	2880
	24	5970	0	2246	7253	0	2304	8023	0	2465	8536	0	2572	9819	0	2868	11546	0	2880	11929	0	2880	12566	0	2880
1.5+1.5+1.5+1.5+3.5	16	5852	0	2184	7110	0	2244	7864	0	2339	8367	0	2403	9625	0	2689	11385	0	2725	12685	0	2798	14640	0	2937
	18	5882	0	2214	7145	0	2273	7904	0	2388	8409	0	2465	9673	0	2757	11443	0	2863	12639	0	2922	12479	0	2952
	20	5911	0	2244	7181	0	2303	7944	0	2427	8452	0	2509	9722	0	2804	11500	0	2952	11881	0	2952	12516	0	2952
	22	5941	0	2273	7217	0	2332	7983	0	2477	8494	0	2574	9770	0	2872	11523	0	2952	11905	0	2952	12541	0	2952
	24	5970	0	2303	7253	0	2362	8023	0	2526	8536	0	2636	9819	0	2940	11546	0	2952	11929	0	2952	12566	0	2952
1.5+1.5+1.5+1.5+5.0	16	5852	0	2184	7110	0	2244	7864	0	2339	8367	0	2403	9625	0	2689	11385	0	2725	12685	0	2798	14640	0	2937
	18	5882	0	2214	7145	0	2273	7904	0	2388	8409	0	2465	9673	0	2757	11443	0	2863	12639	0	2922	12479	0	2952
	20	5911	0	2244	7181	0	2303	7944	0	2427	8452	0	2509	9722	0	2804	11500	0	2952	11881	0	2952	12516	0	2952
	22	5941	0	2273	7217	0	2332	7983	0	2477	8494	0	2574	9770	0	2872	11523	0	2952	11905	0	2952	12541	0	2952
	24	5970	0	2303	7253	0	2362	8023	0	2526	8536	0	2636	9819	0	2940	11546	0	2952	11929	0	2952	12566	0	2952
1.5+1.5+1.5+1.8+1.8	16	5852	0	2184	7110	0	2244	7864	0	2339	8367	0	2403	9625	0	2689	11385	0	2725	12685	0	2798	14640	0	2937
	18	5882	0	2214	7145	0	2273	7904	0	2388	8409	0	2465	9673	0	2757	11443	0	2863	12639	0	2922	12479	0	2952
	20	5911	0	2244	7181	0	2303	7944	0	2427	8452	0	2509	9722	0	2804	11500	0	2952	11881	0	2952	12516	0	2952
	22	5941	0	2273	7217	0	2332	7983	0	2477	8494	0	2574	9770	0	2872	11523	0	2952	11905	0	2952	12541	0	2952
	24	5970	0	2303	7253	0	2362	8023	0	2526	8536	0	2636	9819	0	2940	11546	0	2952	11929	0	2952	12566	0	2952













	INDOOR	OUTDOOR TEMPERATURE (°CDB)																							
	EDB	-15			-10			-7			-5			0			7			10			15		
	°C	TC	SHC	PI	TC	SHC	PI	TC	SHC	PI	TC	SHC	PI	TC	SHC	PI	TC	SHC	PI	TC	SHC	PI	TC	SHC	PI
1.5+1.8+2.5+3.5+3.5	16	5852	0	2184	7110	0	2244	7864	0	2339	8367	0	2403	9625	0	2689	11385	0	2725	12685	0	2798	14640	0	2937
	18	5882	0	2214	7145	0	2273	7904	0	2388	8409	0	2465	9673	0	2757	11443	0	2863	12639	0	2922	12479	0	2952
	20	5911	0	2244	7181	0	2303	7944	0	2427	8452	0	2509	9722	0	2804	11500	0	2952	11881	0	2952	12516	0	2952
	22	5941	0	2273	7217	0	2332	7983	0	2477	8494	0	2574	9770	0	2872	11523	0	2952	11905	0	2952	12541	0	2952
	24	5970	0	2303	7253	0	2362	8023	0	2526	8536	0	2636	9819	0	2940	11546	0	2952	11929	0	2952	12566	0	2952
1.5+1.8+2.5+3.5+5.0	16	5852	0	2184	7110	0	2244	7864	0	2339	8367	0	2403	9625	0	2689	11385	0	2725	12685	0	2798	14640	0	2937
	18	5882	0	2214	7145	0	2273	7904	0	2388	8409	0	2465	9673	0	2757	11443	0	2863	12639	0	2922	12479	0	2952
	20	5911	0	2244	7181	0	2303	7944	0	2427	8452	0	2509	9722	0	2804	11500	0	2952	11881	0	2952	12516	0	2952
	22	5941	0	2273	7217	0	2332	7983	0	2477	8494	0	2574	9770	0	2872	11523	0	2952	11905	0	2952	12541	0	2952
	24	5970	0	2303	7253	0	2362	8023	0	2526	8536	0	2636	9819	0	2940	11546	0	2952	11929	0	2952	12566	0	2952
1.5+1.8+2.5+5.0+5.0	16	5852	0	2184	7110	0	2244	7864	0	2339	8367	0	2403	9625	0	2689	11385	0	2725	12685	0	2798	14640	0	2937
	18	5882	0	2214	7145	0	2273	7904	0	2388	8409	0	2465	9673	0	2757	11443	0	2863	12639	0	2922	12479	0	2952
	20	5911	0	2244	7181	0	2303	7944	0	2427	8452	0	2509	9722	0	2804	11500	0	2952	11881	0	2952	12516	0	2952
	22	5941	0	2273	7217	0	2332	7983	0	2477	8494	0	2574	9770	0	2872	11523	0	2952	11905	0	2952	12541	0	2952
	24	5970	0	2303	7253	0	2362	8023	0	2526	8536	0	2636	9819	0	2940	11546	0	2952	11929	0	2952	12566	0	2952
1.5+1.8+3.5+3.5+3.5	16	5852	0	2184	7110	0	2244	7864	0	2339	8367	0	2403	9625	0	2689	11385	0	2725	12685	0	2798	14640	0	2937
	18	5882	0	2214	7145	0	2273	7904	0	2388	8409	0	2465	9673	0	2757	11443	0	2863	12639	0	2922	12479	0	2952
	20	5911	0	2244	7181	0	2303	7944	0	2427	8452	0	2509	9722	0	2804	11500	0	2952	11881	0	2952	12516	0	2952
	22	5941	0	2273	7217	0	2332	7983	0	2477	8494	0	2574	9770	0	2872	11523	0	2952	11905	0	2952	12541	0	2952
	24	5970	0	2303	7253	0	2362	8023	0	2526	8536	0	2636	9819	0	2940	11546	0	2952	11929	0	2952	12566	0	2952
1.5+1.8+3.5+3.5+5.0	16	5852	0	2184	7110	0	2244	7864	0	2339	8367	0	2403	9625	0	2689	11385	0	2725	12685	0	2798	14640	0	2937
	18	5882	0	2214	7145	0	2273	7904	0	2388	8409	0	2465	9673	0	2757	11443	0	2863	12639	0	2922	12479	0	2952
	20	5911	0	2244	7181	0	2303	7944	0	2427	8452	0	2509	9722	0	2804	11500	0	2952	11881	0	2952	12516	0	2952
	22	5941	0	2273	7217	0	2332	7983	0	2477	8494	0	2574	9770	0	2872	11523	0	2952	11905	0	2952	12541	0	2952
	24	5970	0	2303	7253	0	2362	8023	0	2526	8536	0	2636	9819	0	2940	11546	0	2952	11929	0	2952	12566	0	2952
1.8+1.8+1.8+1.8+1.8	16	6157	0	2005	7481	0	2060	8274	0	2147	8804	0	2206	10127	0	2469	11979	0	2501	13346	0	2569	15403	0	2696
	18	6189	0	2033	7518	0	2087	8316	0	2192	8848	0	2263	10178	0	2531	12040	0	2629	13298	0	2683	13130	0	2710
	20	6220	0	2060	7556	0	2114	8358	0	2228	8893	0	2304	10229	0	2575	12100	0	2710	12501	0	2710	13169	0	2710
	22	6251	0	2087	7594	0	2141	8400	0	2274	8937	0	2363	10280	0	2637	12124	0	2710	12526	0	2710	13195	0	2710
	24	6282	0	2114	7632	0	2168	8442	0	2319	8981	0	2420	10331	0	2699	12148	0	2710	12551	0	2710	13222	0	2710
1.8+1.8+1.8+1.8+2.5	16	6157	0	2005	7481	0	2060	8274	0	2147	8804	0	2206	10127	0	2469	11979	0	2501	13346	0	2569	15403	0	2696
	18	6189	0	2033	7518	0	2087	8316	0	2192	8848	0	2263	10178	0	2531	12040	0	2629	13298	0	2683	13130	0	2710
	20	6220	0	2060	7556	0	2114	8358	0	2228	8893	0	2304	10229	0	2575	12100	0	2710	12501	0	2710	13169	0	2710
	22	6251	0	2087	7594	0	2141	8400	0	2274	8937	0	2363	10280	0	2637	12124	0	2710	12526	0	2710	13195	0	2710
	24	6282	0	2114	7632	0	2168	8442	0	2319	8981	0	2420	10331	0	2699	12148	0	2710	12551	0	2710	13222	0	2710
1.8+1.8+1.8+1.8+3.5	16	6157	0	2005	7481	0	2060	8274	0	2147	8804	0	2206	10127	0	2469	11979	0	2501	13346	0	2569	15403	0	2696
	18	6189	0	2033	7518	0	2087	8316	0	2192	8848	0	2263	10178	0	2531	12040	0	2629	13298	0	2683	13130	0	2710
	20	6220	0	2060	7556	0	2114	8358	0	2228	8893	0	2304	10229	0	2575	12100	0	2710	12501	0	2710	13169	0	2710
	22	6251	0	2087	7594	0	2141	8400	0	2274	8937	0	2363	10280	0	2637	12124	0	2710	12526	0	2710	13195	0	2710
	24	6282	0	2114	7632	0	2168	8442	0	2319	8981	0	2420	10331	0	2699	12148	0	2710	12551	0	2710	13222	0	2710





	INDOOR		OUTDOOR TEMPERATURE (°CDB)																							
	EDB		-15			-10			-7			-5			0			7			10			15		
	°C	TC	SHC	PI	TC	SHC	PI	TC	SHC	PI	TC	SHC	PI	TC	SHC	PI	TC	SHC	PI	TC	SHC	PI	TC	SHC	PI	
1.8+2.5+2.5+3.5+3.5	16	6157	0	2005	7481	0	2060	8274	0	2147	8804	0	2206	10127	0	2469	11979	0	2501	13346	0	2569	15403	0	2696	
	18	6189	0	2033	7518	0	2087	8316	0	2192	8848	0	2263	10178	0	2531	12040	0	2629	13298	0	2683	13130	0	2710	
	20	6220	0	2060	7556	0	2114	8358	0	2228	8893	0	2304	10229	0	2575	12100	0	2710	12501	0	2710	13169	0	2710	
	22	6251	0	2087	7594	0	2141	8400	0	2274	8937	0	2363	10280	0	2637	12124	0	2710	12526	0	2710	13195	0	2710	
	24	6282	0	2114	7632	0	2168	8442	0	2319	8981	0	2420	10331	0	2699	12148	0	2710	12551	0	2710	13222	0	2710	
1.8+2.5+2.5+3.5+5.0	16	6157	0	2005	7481	0	2060	8274	0	2147	8804	0	2206	10127	0	2469	11979	0	2501	13346	0	2569	15403	0	2696	
	18	6189	0	2033	7518	0	2087	8316	0	2192	8848	0	2263	10178	0	2531	12040	0	2629	13298	0	2683	13130	0	2710	
	20	6220	0	2060	7556	0	2114	8358	0	2228	8893	0	2304	10229	0	2575	12100	0	2710	12501	0	2710	13169	0	2710	
	22	6251	0	2087	7594	0	2141	8400	0	2274	8937	0	2363	10280	0	2637	12124	0	2710	12526	0	2710	13195	0	2710	
	24	6282	0	2114	7632	0	2168	8442	0	2319	8981	0	2420	10331	0	2699	12148	0	2710	12551	0	2710	13222	0	2710	
1.8+2.5+3.5+3.5+3.5	16	6157	0	2005	7481	0	2060	8274	0	2147	8804	0	2206	10127	0	2469	11979	0	2501	13346	0	2569	15403	0	2696	
	18	6189	0	2033	7518	0	2087	8316	0	2192	8848	0	2263	10178	0	2531	12040	0	2629	13298	0	2683	13130	0	2710	
	20	6220	0	2060	7556	0	2114	8358	0	2228	8893	0	2304	10229	0	2575	12100	0	2710	12501	0	2710	13169	0	2710	
	22	6251	0	2087	7594	0	2141	8400	0	2274	8937	0	2363	10280	0	2637	12124	0	2710	12526	0	2710	13195	0	2710	
	24	6282	0	2114	7632	0	2168	8442	0	2319	8981	0	2420	10331	0	2699	12148	0	2710	12551	0	2710	13222	0	2710	
2.5+2.5+2.5+2.5+2.5	16	6157	0	2005	7481	0	2060	8274	0	2147	8804	0	2206	10127	0	2469	11979	0	2501	13346	0	2569	15403	0	2696	
	18	6189	0	2033	7518	0	2087	8316	0	2192	8848	0	2263	10178	0	2531	12040	0	2629	13298	0	2683	13130	0	2710	
	20	6220	0	2060	7556	0	2114	8358	0	2228	8893	0	2304	10229	0	2575	12100	0	2710	12501	0	2710	13169	0	2710	
	22	6251	0	2087	7594	0	2141	8400	0	2274	8937	0	2363	10280	0	2637	12124	0	2710	12526	0	2710	13195	0	2710	
	24	6282	0	2114	7632	0	2168	8442	0	2319	8981	0	2420	10331	0	2699	12148	0	2710	12551	0	2710	13222	0	2710	
2.5+2.5+2.5+2.5+3.5	16	6157	0	2005	7481	0	2060	8274	0	2147	8804	0	2206	10127	0	2469	11979	0	2501	13346	0	2569	15403	0	2696	
	18	6189	0	2033	7518	0	2087	8316	0	2192	8848	0	2263	10178	0	2531	12040	0	2629	13298	0	2683	13130	0	2710	
	20	6220	0	2060	7556	0	2114	8358	0	2228	8893	0	2304	10229	0	2575	12100	0	2710	12501	0	2710	13169	0	2710	
	22	6251	0	2087	7594	0	2141	8400	0	2274	8937	0	2363	10280	0	2637	12124	0	2710	12526	0	2710	13195	0	2710	
	24	6282	0	2114	7632	0	2168	8442	0	2319	8981	0	2420	10331	0	2699	12148	0	2710	12551	0	2710	13222	0	2710	
2.5+2.5+2.5+2.5+5.0	16	6157	0	2005	7481	0	2060	8274	0	2147	8804	0	2206	10127	0	2469	11979	0	2501	13346	0	2569	15403	0	2696	
	18	6189	0	2033	7518	0	2087	8316	0	2192	8848	0	2263	10178	0	2531	12040	0	2629	13298	0	2683	13130	0	2710	
	20	6220	0	2060	7556	0	2114	8358	0	2228	8893	0	2304	10229	0	2575	12100	0	2710	12501	0	2710	13169	0	2710	
	22	6251	0	2087	7594	0	2141	8400	0	2274	8937	0	2363	10280	0	2637	12124	0	2710	12526	0	2710	13195	0	2710	
	24	6282	0	2114	7632	0	2168	8442	0	2319	8981	0	2420	10331	0	2699	12148	0	2710	12551	0	2710	13222	0	2710	
2.5+2.5+2.5+3.5+3.5	16	6157	0	2005	7481	0	2060	8274	0	2147	8804	0	2206	10127	0	2469	11979	0	2501	13346	0	2569	15403	0	2696	
	18	6189	0	2033	7518	0	2087	8316	0	2192	8848	0	2263	10178	0	2531	12040	0	2629	13298	0	2683	13130	0	2710	
	20	6220	0	2060	7556	0	2114	8358	0	2228	8893	0	2304	10229	0	2575	12100	0	2710	12501	0	2710	13169	0	2710	
	22	6251	0	2087	7594	0	2141	8400	0	2274	8937	0	2363	10280	0	2637	12124	0	2710	12526	0	2710	13195	0	2710	
	24	6282	0	2114	7632	0	2168	8442	0	2319	8981	0	2420	10331	0	2699	12148	0	2710	12551	0	2710	13222	0	2710	
2.5+2.5+3.5+3.5+3.5	16	6157	0	2005	7481	0	2060	8274	0	2147	8804	0	2206	10127	0	2469	11979	0	2501	13346	0	2569	15403	0	2696	
	18	6189	0	2033	7518	0	2087	8316	0	2192	8848	0	2263	10178	0	2531	12040	0	2629	13298	0	2683	13130	0	2710	
	20	6220	0	2060	7556	0	2114	8358	0	2228	8893	0	2304	10229	0	2575	12100	0	2710	12501	0	2710	13169	0	2710	
	22	6251	0	2087	7594	0	2141	8400	0	2274	8937	0	2363	10280	0	2637	12124	0	2710	12526	0	2710	13195	0	2710	
	24	6282	0	2114	7632	0	2168	8442	0	2319	8981	0	2420	10331	0	2699	12148	0	2710	12551	0	2710	13222	0	2710	

EWB : Evaporator Wet Bulb temperature (°C)

EDB : Evaporator Dry Bulb temperature (°C)

(°CDB) : Outdoor Unit Inlet Air Dry Temperature (°C)

TC : Total Capacity (W)

SHC : Sensible Heating Capacity (W)

PI : Power Input

3.2.8. RAM-110NP6B

COOLING [50Hz, 230V]

		INDOOR		OUTDOOR TEMPERATURE (°CDB)																				
		EWB	EDB	-10			21			27			32			35			40			43		
		°C	°C	TC	SHC	PI	TC	SHC	PI	TC	SHC	PI	TC	SHC	PI	TC	SHC	PI	TC	SHC	PI	TC	SHC	PI
RAM-110NP6B	12	18	7020	6124	1520	9434	9689	2141	8731	8944	2524	8692	8954	2944	8374	8561	3072	7844	8069	3296	7526	7675	3424	
	14	20	7020	6124	1520	10137	9689	2141	9434	9037	2554	9328	8954	2976	9010	8659	3104	8374	8069	3328	8056	7774	3488	
	16	22	7020	6516	1543	10839	9689	2170	10036	9037	2583	9964	8954	3008	9646	8659	3168	9010	8069	3392	8692	7774	3520	
	18	25	7527	6987	1567	11542	10528	2198	10638	9782	2613	10600	9742	3040	10176	9348	3168	9540	8758	3424	9116	8364	3552	
	19	27	7781	7223	1591	11943	11087	2226	11040	10248	2643	11024	10234	3072	10600	9840	3200	9964	9250	3424	9540	8856	3552	
	22	30	8627	7144	1591	13248	10994	2226	12244	10155	2643	12190	10135	3104	11766	9742	3232	10600	9446	3552	9858	9250	3744	
	24	32	9219	7144	1615	14151	10994	2254	13047	10155	2672	13038	10135	3104	12508	9742	3264	11024	9643	3648	10070	9545	3872	
1.5	12	18	993	681	204	1335	1078	288	1236	995	339	1230	996	396	1185	953	413	1110	898	443	1065	854	460	
	14	20	993	681	204	1434	1078	288	1335	1006	343	1320	996	400	1275	964	417	1185	898	447	1140	865	469	
	16	22	993	725	207	1534	1078	292	1420	1006	347	1410	996	404	1365	964	426	1275	898	456	1230	865	473	
	18	25	1065	778	211	1633	1172	295	1505	1089	351	1500	1084	409	1440	1040	426	1350	975	460	1290	931	477	
	19	27	1101	804	214	1690	1234	299	1562	1140	355	1560	1139	413	1500	1095	430	1410	1029	460	1350	986	477	
	22	30	1221	795	214	1875	1223	299	1733	1130	355	1725	1128	417	1665	1084	434	1500	1051	477	1395	1029	503	
	24	32	1305	795	217	2003	1223	303	1846	1130	359	1845	1128	417	1770	1084	439	1560	1073	490	1425	1062	520	
1.8	12	18	1192	818	235	1602	1294	331	1483	1194	390	1476	1196	455	1422	1143	475	1332	1077	510	1278	1025	530	
	14	20	1192	818	235	1721	1294	331	1602	1207	395	1584	1196	460	1530	1156	480	1422	1077	515	1368	1038	540	
	16	22	1192	870	239	1841	1294	336	1704	1207	400	1692	1196	465	1638	1156	490	1530	1077	525	1476	1038	545	
	18	25	1278	933	242	1960	1406	340	1807	1306	404	1800	1301	470	1728	1248	490	1620	1169	530	1548	1117	549	
	19	27	1321	965	246	2028	1480	344	1875	1369	409	1872	1367	475	1800	1314	495	1692	1235	530	1620	1183	549	
	22	30	1465	954	246	2250	1468	344	2079	1356	409	2070	1353	480	1998	1301	500	1800	1261	549	1674	1235	579	
	24	32	1565	954	250	2403	1468	349	2216	1356	413	2214	1353	480	2124	1301	505	1872	1288	564	1710	1275	599	
2.5	12	18	1656	1136	332	2225	1797	468	2059	1659	552	2050	1661	644	1975	1588	672	1850	1497	721	1775	1424	749	
	14	20	1656	1136	332	2391	1797	468	2225	1676	559	2200	1661	651	2125	1606	679	1975	1497	728	1900	1442	763	
	16	22	1656	1209	338	2556	1797	475	2367	1676	565	2350	1661	658	2275	1606	693	2125	1497	742	2050	1442	770	
	18	25	1775	1296	343	2722	1953	481	2509	1814	572	2500	1807	665	2400	1734	693	2250	1624	749	2150	1551	777	
	19	27	1835	1340	348	2817	2056	487	2604	1901	578	2600	1898	672	2500	1825	700	2350	1716	749	2250	1643	777	
	22	30	2035	1325	348	3124	2039	487	2888	1883	578	2875	1880	679	2775	1807	707	2500	1752	777	2325	1716	819	
	24	32	2174	1325	353	3338	2039	493	3077	1883	585	3075	1880	679	2950	1807	714	2600	1789	798	2375	1770	847	
3.5	12	18	2318	1590	489	3115	2516	689	2883	2322	812	2870	2325	948	2765	2223	989	2590	2095	1061	2485	1993	1102	
	14	20	2318	1590	489	3347	2516	689	3115	2347	822	3080	2325	958	2975	2248	999	2765	2095	1071	2660	2018	1123	
	16	22	2318	1692	497	3579	2516	698	3314	2347	831	3290	2325	968	3185	2248	1020	2975	2095	1092	2870	2018	1133	
	18	25	2485	1814	504	3811	2734	707	3513	2540	841	3500	2529	979	3360	2427	1020	3150	2274	1102	3010	2172	1143	
	19	27	2569	1875	512	3943	2879	716	3645	2661	851	3640	2657	989	3500	2555	1030	3290	2402	1102	3150	2300	1143	
	22	30	2848	1855	512	4374	2855	716	4043	2637	851	4025	2632	999	3885	2529	1040	3500	2453	1143	3255	2402	1205	
	24	32	3044	1855	520	4673	2855	726	4308	2637	860	4305	2632	999	4130	2529	1051	3640	2504	1174	3325	2478	1246	
5	12	18	3311	2272	717	4450	3594	1010	4119	3318	1191	4100	3322	1389	3950	3176	1450	3700	2993	1555	3550	2847	1616	
	14	20	3311	2272	717	4781	3594	1010	4450	3352	1205	4400	3322	1404	4250	3212	1465	3950	2993	1570	3800	2884	1646	
	16	22	3311	2417	728	5113	3594	1024	4734	3352	1219	4700	3322	1419	4550	3212	1495	4250	2993	1601	4100	2884	1661	
	18	25	3551	2592	739	5444	3905	1037	5018	3629	1233	5000	3614	1435	4800	3468	1495	4500	3249	1616	4300	3103	1676	
	19	27	3670	2679	751	5634	4112	1050	5207	3801	1247	5200	3796	1450	5000	3650	1510	4700	3431	1616	4500	3285	1676	
	22	30	4069	2650	751	6249	4078	1050	5776	3767	1247	5750	3760	1465	5550	3614	1525	5000	3504	1676	4650	3431	1767	
	24	32	4348	2650	762	6675	4078	1064	6154	3767	1261	6150	3760	1465	5900	3614	1540	5200	3577	1721	4750	3541	1827	

EWB : Evaporator Wet Bulb temperature (°C)

EDB : Evaporator Dry Bulb temperature (°C)

(°CDB) : Outdoor Unit Inlet Air Dry Temperature (°C)

TC : Total Capacity (W)

SHC : Sensible Heating Capacity (W)

PI : Power Input (W)

		INDOOR		OUTDOOR TEMPERATURE (°CDB)																				
		EWB	EDB	-10			21			27			32			35			40			43		
		°C	°C	TC	SHC	PI	TC	SHC	PI	TC	SHC	PI	TC	SHC	PI	TC	SHC	PI	TC	SHC	PI	TC	SHC	PI
1.5+1.5	12	18	1987	1363	437	2670	2156	616	2471	1991	726	2460	1993	846	2370	1905	883	2220	1796	948	2130	1708	984	
	14	20	1987	1363	437	2869	2156	616	2670	2011	734	2640	1993	856	2550	1927	892	2370	1796	957	2280	1730	1003	
	16	22	1987	1450	444	3068	2156	624	2840	2011	743	2820	1993	865	2730	1927	911	2550	1796	975	2460	1730	1012	
	18	25	2130	1555	451	3266	2343	632	3011	2177	751	3000	2168	874	2880	2081	911	2700	1949	984	2580	1862	1021	
	19	27	2202	1608	457	3380	2467	640	3124	2281	760	3120	2278	883	3000	2190	920	2820	2059	984	2700	1971	1021	
	22	30	2441	1590	457	3749	2447	640	3465	2260	760	3450	2256	892	3330	2168	929	3000	2102	1021	2790	2059	1076	
	24	32	2609	1590	464	4005	2447	648	3693	2260	768	3690	2256	892	3540	2168	938	3120	2146	1049	2850	2124	1113	
1.5+1.8	12	18	2185	1499	484	2937	2372	683	2718	2190	804	2706	2192	938	2607	2096	979	2442	1975	1051	2343	1879	1091	
	14	20	2185	1499	484	3156	2372	683	2937	2212	814	2904	2192	949	2805	2120	989	2607	1975	1061	2508	1903	1112	
	16	22	2185	1595	492	3374	2372	692	3124	2212	823	3102	2192	959	3003	2120	1010	2805	1975	1081	2706	1903	1122	
	18	25	2343	1711	500	3593	2577	701	3312	2395	833	3300	2385	969	3168	2289	1010	2970	2144	1091	2838	2048	1132	
	19	27	2422	1768	507	3718	2714	710	3437	2509	842	3432	2505	979	3300	2409	1020	3102	2264	1091	2970	2168	1132	
	22	30	2686	1749	507	4124	2691	710	3812	2486	842	3795	2481	989	3663	2385	1030	3300	2313	1132	3069	2264	1193	
	24	32	2870	1749	515	4406	2691	719	4062	2486	852	4059	2481	989	3894	2385	1040	3432	2361	1163	3135	2337	1234	
1.5+2.5	12	18	2649	1817	560	3560	2875	790	3295	2654	931	3280	2657	1086	3160	2540	1133	2960	2394	1215	2840	2278	1263	
	14	20	2649	1817	560	3825	2875	790	3560	2682	942	3520	2657	1097	3400	2570	1145	3160	2394	1227	3040	2307	1286	
	16	22	2649	1934	569	4090	2875	800	3787	2682	953	3760	2657	1109	3640	2570	1168	3400	2394	1251	3280	2307	1298	
	18	25	2840	2074	578	4355	3124	810	4014	2903	964	4000	2891	1121	3840	2774	1168	3600	2599	1263	3440	2482	1310	
	19	27	2936	2143	587	4507	3290	821	4166	3041	974	4160	3037	1133	4000	2920	1180	3760	2745	1263	3600	2628	1310	
	22	30	3255	2120	587	4999	3262	821	4620	3014	974	4600	3008	1145	4440	2891	1192	4000	2803	1310	3720	2745	1381	
	24	32	3479	2120	595	5340	3262	831	4923	3014	985	4920	3008	1145	4720	2891	1204	4160	2862	1345	3800	2832	1428	
1.5+3.5	12	18	3311	2272	703	4450	3594	990	4119	3318	1167	4100	3322	1362	3950	3176	1421	3700	2993	1524	3550	2847	1584	
	14	20	3311	2272	703	4781	3594	990	4450	3352	1181	4400	3322	1376	4250	3212	1436	3950	2993	1539	3800	2884	1613	
	16	22	3311	2417	714	5113	3594	1003	4734	3352	1195	4700	3322	1391	4550	3212	1465	4250	2993	1569	4100	2884	1628	
	18	25	3551	2592	725	5444	3905	1016	5018	3629	1208	5000	3614	1406	4800	3468	1465	4500	3249	1584	4300	3103	1643	
	19	27	3670	2679	736	5634	4112	1030	5207	3801	1222	5200	3796	1421	5000	3650	1480	4700	3431	1584	4500	3285	1643	
	22	30	4069	2650	736	6249	4078	1030	5776	3767	1222	5750	3760	1436	5550	3614	1495	5000	3504	1643	4650	3431	1732	
	24	32	4348	2650	747	6675	4078	1043	6154	3767	1236	6150	3760	1436	5900	3614	1510	5200	3577	1687	4750	3541	1791	
1.5+5.0	12	18	3510	2408	760	4717	3810	1071	4366	3517	1262	4346	3521	1472	4187	3366	1536	3922	3173	1648	3763	3018	1712	
	14	20	3510	2408	760	5068	3810	1071	4717	3553	1277	4664	3521	1488	4505	3405	1552	4187	3173	1664	4028	3057	1744	
	16	22	3510	2562	772	5420	3810	1085	5018	3553	1292	4982	3521	1504	4823	3405	1584	4505	3173	1696	4346	3057	1760	
	18	25	3764	2747	784	5771	4139	1099	5319	3846	1306	5300	3830	1520	5088	3676	1584	4770	3443	1712	4558	3289	1776	
	19	27	3890	2840	795	5972	4359	1113	5520	4030	1321	5512	4024	1536	5300	3869	1600	4982	3637	1712	4770	3482	1776	
	22	30	4313	2809	795	6624	4323	1113	6122	3993	1321	6095	3985	1552	5883	3830	1616	5300	3714	1776	4929	3637	1872	
	24	32	4609	2809	807	7076	4323	1127	6524	3993	1336	6519	3985	1552	6254	3830	1632	5512	3792	1824	5035	3753	1936	
1.8+1.8	12	18	2384	1636	513	3204	2588	723	2965	2389	852	2952	2391	994	2844	2286	1037	2664	2155	1112	2556	2050	1156	
	14	20	2384	1636	513	3443	2588	723	3204	2414	862	3168	2391	1004	3060	2313	1048	2844	2155	1123	2736	2076	1177	
	16	22	2384	1740	521	3681	2588	732	3409	2414	872	3384	2391	1015	3276	2313	1069	3060	2155	1145	2952	2076	1188	
	18	25	2556	1866	529	3920	2812	742	3613	2613	882	3600	2602	1026	3456	2497	1069	3240	2339	1156	3096	2234	1199	
	19	27	2643	1929	537	4056	2961	751	3749	2737	892	3744	2733	1037	3600	2628	1080	3384	2470	1156	3240	2365	1199	
	22	30	2930	1908	537	4499	2936	751	4158	2712	892	4140	2707	1048	3996	2602	1091	3600	2523	1199	3348	2470	1264	
	24	32	3131	1908	545	4806	2936	761	4431	2712	902	4428	2707	1048	4248	2602	1102	3744	2575	1231	3420	2549	1307	



		INDOOR		OUTDOOR TEMPERATURE (°CDB)																				
		EWB	EDB	-10			21			27			32			35			40			43		
		°C	°C	TC	SHC	PI	TC	SHC	PI	TC	SHC	PI	TC	SHC	PI	TC	SHC	PI	TC	SHC	PI	TC	SHC	PI
1.8+2.5	12	18	2848	1954	608	3827	3091	857	3542	2853	1010	3526	2856	1178	3397	2731	1229	3182	2574	1318	3053	2448	1370	
	14	20	2848	1954	608	4112	3091	857	3827	2883	1021	3784	2856	1190	3655	2762	1242	3397	2574	1331	3268	2480	1395	
	16	22	2848	2079	617	4397	3091	868	4071	2883	1033	4042	2856	1203	3913	2762	1267	3655	2574	1357	3526	2480	1408	
	18	25	3053	2229	627	4682	3358	879	4316	3121	1045	4300	3108	1216	4128	2982	1267	3870	2794	1370	3698	2668	1421	
	19	27	3156	2304	636	4845	3537	890	4478	3269	1057	4472	3265	1229	4300	3139	1280	4042	2951	1370	3870	2825	1421	
	22	30	3499	2279	636	5374	3507	890	4967	3240	1057	4945	3233	1242	4773	3108	1293	4300	3013	1421	3999	2951	1498	
	24	32	3740	2279	646	5741	3507	902	5293	3240	1069	5289	3233	1242	5074	3108	1306	4472	3076	1459	4085	3045	1549	
1.8+3.5	12	18	3510	2408	760	4717	3810	1071	4366	3517	1262	4346	3521	1472	4187	3366	1536	3922	3173	1648	3763	3018	1712	
	14	20	3510	2408	760	5068	3810	1071	4717	3553	1277	4664	3521	1488	4505	3405	1552	4187	3173	1664	4028	3057	1744	
	16	22	3510	2562	772	5420	3810	1085	5018	3553	1292	4982	3521	1504	4823	3405	1584	4505	3173	1696	4346	3057	1760	
	18	25	3764	2747	784	5771	4139	1099	5319	3846	1306	5300	3830	1520	5088	3676	1584	4770	3443	1712	4558	3289	1776	
	19	27	3890	2840	795	5972	4359	1113	5520	4030	1321	5512	4024	1536	5300	3869	1600	4982	3637	1712	4770	3482	1776	
	22	30	4313	2809	795	6624	4323	1113	6122	3993	1321	6095	3985	1552	5883	3830	1616	5300	3714	1776	4929	3637	1872	
	24	32	4609	2809	807	7076	4323	1127	6524	3993	1336	6519	3985	1552	6254	3830	1632	5512	3792	1824	5035	3753	1936	
1.8+5.0	12	18	3510	2408	760	4717	3810	1071	4366	3517	1262	4346	3521	1472	4187	3366	1536	3922	3173	1648	3763	3018	1712	
	14	20	3510	2408	760	5068	3810	1071	4717	3553	1277	4664	3521	1488	4505	3405	1552	4187	3173	1664	4028	3057	1744	
	16	22	3510	2562	772	5420	3810	1085	5018	3553	1292	4982	3521	1504	4823	3405	1584	4505	3173	1696	4346	3057	1760	
	18	25	3764	2747	784	5771	4139	1099	5319	3846	1306	5300	3830	1520	5088	3676	1584	4770	3443	1712	4558	3289	1776	
	19	27	3890	2840	795	5972	4359	1113	5520	4030	1321	5512	4024	1536	5300	3869	1600	4982	3637	1712	4770	3482	1776	
	22	30	4313	2809	795	6624	4323	1113	6122	3993	1321	6095	3985	1552	5883	3830	1616	5300	3714	1776	4929	3637	1872	
	24	32	4609	2809	807	7076	4323	1127	6524	3993	1336	6519	3985	1552	6254	3830	1632	5512	3792	1824	5035	3753	1936	
2.5+2.5	12	18	3311	2272	698	4450	3594	984	4119	3318	1159	4100	3322	1352	3950	3176	1411	3700	2993	1514	3550	2847	1573	
	14	20	3311	2272	698	4781	3594	984	4450	3352	1173	4400	3322	1367	4250	3212	1426	3950	2993	1529	3800	2884	1602	
	16	22	3311	2417	709	5113	3594	997	4734	3352	1187	4700	3322	1382	4550	3212	1455	4250	2993	1558	4100	2884	1617	
	18	25	3551	2592	720	5444	3905	1010	5018	3629	1200	5000	3614	1397	4800	3468	1455	4500	3249	1573	4300	3103	1632	
	19	27	3670	2679	731	5634	4112	1023	5207	3801	1214	5200	3796	1411	5000	3650	1470	4700	3431	1573	4500	3285	1632	
	22	30	4069	2650	731	6249	4078	1023	5776	3767	1214	5750	3760	1426	5550	3614	1485	5000	3504	1632	4650	3431	1720	
	24	32	4348	2650	742	6675	4078	1036	6154	3767	1228	6150	3760	1426	5900	3614	1499	5200	3577	1676	4750	3541	1779	
2.5+3.5	12	18	3510	2408	760	4717	3810	1071	4366	3517	1262	4346	3521	1472	4187	3366	1536	3922	3173	1648	3763	3018	1712	
	14	20	3510	2408	760	5068	3810	1071	4717	3553	1277	4664	3521	1488	4505	3405	1552	4187	3173	1664	4028	3057	1744	
	16	22	3510	2562	772	5420	3810	1085	5018	3553	1292	4982	3521	1504	4823	3405	1584	4505	3173	1696	4346	3057	1760	
	18	25	3764	2747	784	5771	4139	1099	5319	3846	1306	5300	3830	1520	5088	3676	1584	4770	3443	1712	4558	3289	1776	
	19	27	3890	2840	795	5972	4359	1113	5520	4030	1321	5512	4024	1536	5300	3869	1600	4982	3637	1712	4770	3482	1776	
	22	30	4313	2809	795	6624	4323	1113	6122	3993	1321	6095	3985	1552	5883	3830	1616	5300	3714	1776	4929	3637	1872	
	24	32	4609	2809	807	7076	4323	1127	6524	3993	1336	6519	3985	1552	6254	3830	1632	5512	3792	1824	5035	3753	1936	
3.5+3.5	12	18	3510	2408	760	4717	3810	1071	4366	3517	1262	4346	3521	1472	4187	3366	1536	3922	3173	1648	3763	3018	1712	
	14	20	3510	2408	760	5068	3810	1071	4717	3553	1277	4664	3521	1488	4505	3405	1552	4187	3173	1664	4028	3057	1744	
	16	22	3510	2562	772	5420	3810	1085	5018	3553	1292	4982	3521	1504	4823	3405	1584	4505	3173	1696	4346	3057	1760	
	18	25	3764	2747	784	5771	4139	1099	5319	3846	1306	5300	3830	1520	5088	3676	1584	4770	3443	1712	4558	3289	1776	
	19	27	3890	2840	795	5972	4359	1113	5520	4030	1321	5512	4024	1536	5300	3869	1600	4982	3637	1712	4770	3482	1776	
	22	30	4313	2809	795	6624	4323	1113	6122	3993	1321	6095	3985	1552	5883	3830	1616	5300	3714	1776	4929	3637	1872	
	24	32	4609	2809	807	7076	4323	1127	6524	3993	1336	6519	3985	1552	6254	3830	1632	5512	3792	1824	5035	3753	1936	

		INDOOR		OUTDOOR TEMPERATURE (°CDB)																				
		EWB	EDB	-10			21			27			32			35			40			43		
		°C	°C	TC	SHC	PI	TC	SHC	PI	TC	SHC	PI	TC	SHC	PI	TC	SHC	PI	TC	SHC	PI	TC	SHC	PI
2.5+5.0	12	18	3510	2408	760	4717	3810	1071	4366	3517	1262	4346	3521	1472	4187	3366	1536	3922	3173	1648	3763	3018	1712	
	14	20	3510	2408	760	5068	3810	1071	4717	3553	1277	4664	3521	1488	4505	3405	1552	4187	3173	1664	4028	3057	1744	
	16	22	3510	2562	772	5420	3810	1085	5018	3553	1292	4982	3521	1504	4823	3405	1584	4505	3173	1696	4346	3057	1760	
	18	25	3764	2747	784	5771	4139	1099	5319	3846	1306	5300	3830	1520	5088	3676	1584	4770	3443	1712	4558	3289	1776	
	19	27	3890	2840	795	5972	4359	1113	5520	4030	1321	5512	4024	1536	5300	3869	1600	4982	3637	1712	4770	3482	1776	
	22	30	4313	2809	795	6624	4323	1113	6122	3993	1321	6095	3985	1552	5883	3830	1616	5300	3714	1776	4929	3637	1872	
	24	32	4609	2809	807	7076	4323	1127	6524	3993	1336	6519	3985	1552	6254	3830	1632	5512	3792	1824	5035	3753	1936	
3.5+5.0	12	18	3510	2408	760	4717	3810	1071	4366	3517	1262	4346	3521	1472	4187	3366	1536	3922	3173	1648	3763	3018	1712	
	14	20	3510	2408	760	5068	3810	1071	4717	3553	1277	4664	3521	1488	4505	3405	1552	4187	3173	1664	4028	3057	1744	
	16	22	3510	2562	772	5420	3810	1085	5018	3553	1292	4982	3521	1504	4823	3405	1584	4505	3173	1696	4346	3057	1760	
	18	25	3764	2747	784	5771	4139	1099	5319	3846	1306	5300	3830	1520	5088	3676	1584	4770	3443	1712	4558	3289	1776	
	19	27	3890	2840	795	5972	4359	1113	5520	4030	1321	5512	4024	1536	5300	3869	1600	4982	3637	1712	4770	3482	1776	
	22	30	4313	2809	795	6624	4323	1113	6122	3993	1321	6095	3985	1552	5883	3830	1616	5300	3714	1776	4929	3637	1872	
	24	32	4609	2809	807	7076	4323	1127	6524	3993	1336	6519	3985	1552	6254	3830	1632	5512	3792	1824	5035	3753	1936	
1.5+1.5+1.5	12	18	2980	2044	651	4005	3235	917	3707	2986	1081	3690	2989	1260	3555	2858	1315	3330	2694	1411	3195	2562	1466	
	14	20	2980	2044	651	4303	3235	917	4005	3017	1093	3960	2989	1274	3825	2891	1329	3555	2694	1425	3420	2595	1493	
	16	22	2980	2175	661	4601	3235	929	4261	3017	1106	4230	2989	1288	4095	2891	1356	3825	2694	1452	3690	2595	1507	
	18	25	3195	2333	671	4900	3515	941	4516	3266	1119	4500	3252	1302	4320	3121	1356	4050	2924	1466	3870	2792	1521	
	19	27	3303	2411	681	5070	3701	953	4687	3421	1131	4680	3416	1315	4500	3285	1370	4230	3088	1466	4050	2957	1521	
	22	30	3662	2385	681	5624	3670	953	5198	3390	1131	5175	3384	1329	4995	3252	1384	4500	3154	1521	4185	3088	1603	
	24	32	3914	2385	691	6008	3670	965	5539	3390	1144	5535	3384	1329	5310	3252	1397	4680	3219	1562	4275	3186	1658	
1.5+1.5+1.8	12	18	3179	2181	698	4272	3450	984	3954	3185	1159	3936	3189	1352	3792	3048	1411	3552	2873	1514	3408	2733	1573	
	14	20	3179	2181	698	4590	3450	984	4272	3218	1173	4224	3189	1367	4080	3084	1426	3792	2873	1529	3648	2768	1602	
	16	22	3179	2320	709	4908	3450	997	4545	3218	1187	4512	3189	1382	4368	3084	1455	4080	2873	1558	3936	2768	1617	
	18	25	3409	2488	720	5226	3749	1010	4817	3483	1200	4800	3469	1397	4608	3329	1455	4320	3119	1573	4128	2978	1632	
	19	27	3523	2572	731	5408	3948	1023	4999	3649	1214	4992	3644	1411	4800	3504	1470	4512	3294	1573	4320	3154	1632	
	22	30	3906	2544	731	5999	3915	1023	5545	3616	1214	5520	3609	1426	5328	3469	1485	4800	3364	1632	4464	3294	1720	
	24	32	4174	2544	742	6408	3915	1036	5908	3616	1228	5904	3609	1426	5664	3469	1499	4992	3434	1676	4560	3399	1779	
1.5+1.5+2.5	12	18	3510	2408	760	4717	3810	1071	4366	3517	1262	4346	3521	1472	4187	3366	1536	3922	3173	1648	3763	3018	1712	
	14	20	3510	2408	760	5068	3810	1071	4717	3553	1277	4664	3521	1488	4505	3405	1552	4187	3173	1664	4028	3057	1744	
	16	22	3510	2562	772	5420	3810	1085	5018	3553	1292	4982	3521	1504	4823	3405	1584	4505	3173	1696	4346	3057	1760	
	18	25	3764	2747	784	5771	4139	1099	5319	3846	1306	5300	3830	1520	5088	3676	1584	4770	3443	1712	4558	3289	1776	
	19	27	3890	2840	795	5972	4359	1113	5520	4030	1321	5512	4024	1536	5300	3869	1600	4982	3637	1712	4770	3482	1776	
	22	30	4313	2809	795	6624	4323	1113	6122	3993	1321	6095	3985	1552	5883	3830	1616	5300	3714	1776	4929	3637	1872	
	24	32	4609	2809	807	7076	4323	1127	6524	3993	1336	6519	3985	1552	6254	3830	1632	5512	3792	1824	5035	3753	1936	
1.5+1.5+3.5	12	18	3510	2408	760	4717	3810	1071	4366	3517	1262	4346	3521	1472	4187	3366	1536	3922	3173	1648	3763	3018	1712	
	14	20	3510	2408	760	5068	3810	1071	4717	3553	1277	4664	3521	1488	4505	3405	1552	4187	3173	1664	4028	3057	1744	
	16	22	3510	2562	772	5420	3810	1085	5018	3553	1292	4982	3521	1504	4823	3405	1584	4505	3173	1696	4346	3057	1760	
	18	25	3764	2747	784	5771	4139	1099	5319	3846	1306	5300	3830	1520	5088	3676	1584	4770	3443	1712	4558	3289	1776	
	19	27	3890	2840	795	5972	4359	1113	5520	4030	1321	5512	4024	1536	5300	3869	1600	4982	3637	1712	4770	3482	1776	
	22	30	4313	2809	795	6624	4323	1113	6122	3993	1321	6095	3985	1552	5883	3830	1616	5300	3714	1776	4929	3637	1872	
	24	32	4609	2809	807	7076	4323	1127	6524	3993	1336	6519	3985	1552	6254	3830	1632	5512	3792	1824	5035	3753	1936	

		INDOOR		OUTDOOR TEMPERATURE (°CDB)																				
		EWB	EDB	-10			21			27			32			35			40			43		
		°C	°C	TC	SHC	PI	TC	SHC	PI	TC	SHC	PI	TC	SHC	PI	TC	SHC	PI	TC	SHC	PI	TC	SHC	PI
1.5+1.5+5.0	12	18	3510	2408	760	4717	3810	1071	4366	3517	1262	4346	3521	1472	4187	3366	1536	3922	3173	1648	3763	3018	1712	
	14	20	3510	2408	760	5068	3810	1071	4717	3553	1277	4664	3521	1488	4505	3405	1552	4187	3173	1664	4028	3057	1744	
	16	22	3510	2562	772	5420	3810	1085	5018	3553	1292	4982	3521	1504	4823	3405	1584	4505	3173	1696	4346	3057	1760	
	18	25	3764	2747	784	5771	4139	1099	5319	3846	1306	5300	3830	1520	5088	3676	1584	4770	3443	1712	4558	3289	1776	
	19	27	3890	2840	795	5972	4359	1113	5520	4030	1321	5512	4024	1536	5300	3869	1600	4982	3637	1712	4770	3482	1776	
	22	30	4313	2809	795	6624	4323	1113	6122	3993	1321	6095	3985	1552	5883	3830	1616	5300	3714	1776	4929	3637	1872	
	24	32	4609	2809	807	7076	4323	1127	6524	3993	1336	6519	3985	1552	6254	3830	1632	5512	3792	1824	5035	3753	1936	
1.5+1.8+1.8	12	18	3377	2317	736	4539	3666	1037	4201	3384	1222	4182	3388	1426	4029	3239	1488	3774	3053	1597	3621	2904	1659	
	14	20	3377	2317	736	4877	3666	1037	4539	3419	1237	4488	3388	1442	4335	3276	1504	4029	3053	1612	3876	2941	1690	
	16	22	3377	2465	748	5215	3666	1051	4829	3419	1251	4794	3388	1457	4641	3276	1535	4335	3053	1643	4182	2941	1705	
	18	25	3622	2644	759	5553	3983	1065	5118	3701	1266	5100	3686	1473	4896	3537	1535	4590	3313	1659	4386	3165	1721	
	19	27	3744	2733	771	5746	4195	1078	5312	3877	1280	5304	3872	1488	5100	3723	1550	4794	3500	1659	4590	3351	1721	
	22	30	4151	2703	771	6374	4159	1078	5891	3842	1280	5865	3835	1504	5661	3686	1566	5100	3574	1721	4743	3500	1814	
	24	32	4435	2703	782	6809	4159	1092	6277	3842	1294	6273	3835	1504	6018	3686	1581	5304	3649	1767	4845	3611	1876	
1.5+1.8+2.5	12	18	3510	2408	760	4717	3810	1071	4366	3517	1262	4346	3521	1472	4187	3366	1536	3922	3173	1648	3763	3018	1712	
	14	20	3510	2408	760	5068	3810	1071	4717	3553	1277	4664	3521	1488	4505	3405	1552	4187	3173	1664	4028	3057	1744	
	16	22	3510	2562	772	5420	3810	1085	5018	3553	1292	4982	3521	1504	4823	3405	1584	4505	3173	1696	4346	3057	1760	
	18	25	3764	2747	784	5771	4139	1099	5319	3846	1306	5300	3830	1520	5088	3676	1584	4770	3443	1712	4558	3289	1776	
	19	27	3890	2840	795	5972	4359	1113	5520	4030	1321	5512	4024	1536	5300	3869	1600	4982	3637	1712	4770	3482	1776	
	22	30	4313	2809	795	6624	4323	1113	6122	3993	1321	6095	3985	1552	5883	3830	1616	5300	3714	1776	4929	3637	1872	
	24	32	4609	2809	807	7076	4323	1127	6524	3993	1336	6519	3985	1552	6254	3830	1632	5512	3792	1824	5035	3753	1936	
1.5+1.8+3.5	12	18	3510	2408	760	4717	3810	1071	4366	3517	1262	4346	3521	1472	4187	3366	1536	3922	3173	1648	3763	3018	1712	
	14	20	3510	2408	760	5068	3810	1071	4717	3553	1277	4664	3521	1488	4505	3405	1552	4187	3173	1664	4028	3057	1744	
	16	22	3510	2562	772	5420	3810	1085	5018	3553	1292	4982	3521	1504	4823	3405	1584	4505	3173	1696	4346	3057	1760	
	18	25	3764	2747	784	5771	4139	1099	5319	3846	1306	5300	3830	1520	5088	3676	1584	4770	3443	1712	4558	3289	1776	
	19	27	3890	2840	795	5972	4359	1113	5520	4030	1321	5512	4024	1536	5300	3869	1600	4982	3637	1712	4770	3482	1776	
	22	30	4313	2809	795	6624	4323	1113	6122	3993	1321	6095	3985	1552	5883	3830	1616	5300	3714	1776	4929	3637	1872	
	24	32	4609	2809	807	7076	4323	1127	6524	3993	1336	6519	3985	1552	6254	3830	1632	5512	3792	1824	5035	3753	1936	
1.5+1.8+5.0	12	18	3510	2408	760	4717	3810	1071	4366	3517	1262	4346	3521	1472	4187	3366	1536	3922	3173	1648	3763	3018	1712	
	14	20	3510	2408	760	5068	3810	1071	4717	3553	1277	4664	3521	1488	4505	3405	1552	4187	3173	1664	4028	3057	1744	
	16	22	3510	2562	772	5420	3810	1085	5018	3553	1292	4982	3521	1504	4823	3405	1584	4505	3173	1696	4346	3057	1760	
	18	25	3764	2747	784	5771	4139	1099	5319	3846	1306	5300	3830	1520	5088	3676	1584	4770	3443	1712	4558	3289	1776	
	19	27	3890	2840	795	5972	4359	1113	5520	4030	1321	5512	4024	1536	5300	3869	1600	4982	3637	1712	4770	3482	1776	
	22	30	4313	2809	795	6624	4323	1113	6122	3993	1321	6095	3985	1552	5883	3830	1616	5300	3714	1776	4929	3637	1872	
	24	32	4609	2809	807	7076	4323	1127	6524	3993	1336	6519	3985	1552	6254	3830	1632	5512	3792	1824	5035	3753	1936	
1.5+2.5+2.5	12	18	3510	2408	760	4717	3810	1071	4366	3517	1262	4346	3521	1472	4187	3366	1536	3922	3173	1648	3763	3018	1712	
	14	20	3510	2408	760	5068	3810	1071	4717	3553	1277	4664	3521	1488	4505	3405	1552	4187	3173	1664	4028	3057	1744	
	16	22	3510	2562	772	5420	3810	1085	5018	3553	1292	4982	3521	1504	4823	3405	1584	4505	3173	1696	4346	3057	1760	
	18	25	3764	2747	784	5771	4139	1099	5319	3846	1306	5300	3830	1520	5088	3676	1584	4770	3443	1712	4558	3289	1776	
	19	27	3890	2840	795	5972	4359	1113	5520	4030	1321	5512	4024	1536	5300	3869	1600	4982	3637	1712	4770	3482	1776	
	22	30	4313	2809	795	6624	4323	1113	6122	3993	1321	6095	3985	1552	5883	3830	1616	5300	3714	1776	4929	3637	1872	
	24	32	4609	2809	807	7076	4323	1127	6524	3993	1336	6519	3985	1552	6254	3830	1632	5512	3792	1824	5035	3753	1936	

		INDOOR		OUTDOOR TEMPERATURE (°CDB)																				
		EWB	EDB	-10			21			27			32			35			40			43		
		°C	°C	TC	SHC	PI	TC	SHC	PI	TC	SHC	PI	TC	SHC	PI	TC	SHC	PI	TC	SHC	PI	TC	SHC	PI
1.5+2.5+3.5	12	18	3510	2408	760	4717	3810	1071	4366	3517	1262	4346	3521	1472	4187	3366	1536	3922	3173	1648	3763	3018	1712	
	14	20	3510	2408	760	5068	3810	1071	4717	3553	1277	4664	3521	1488	4505	3405	1552	4187	3173	1664	4028	3057	1744	
	16	22	3510	2562	772	5420	3810	1085	5018	3553	1292	4982	3521	1504	4823	3405	1584	4505	3173	1696	4346	3057	1760	
	18	25	3764	2747	784	5771	4139	1099	5319	3846	1306	5300	3830	1520	5088	3676	1584	4770	3443	1712	4558	3289	1776	
	19	27	3890	2840	795	5972	4359	1113	5520	4030	1321	5512	4024	1536	5300	3869	1600	4982	3637	1712	4770	3482	1776	
	22	30	4313	2809	795	6624	4323	1113	6122	3993	1321	6095	3985	1552	5883	3830	1616	5300	3714	1776	4929	3637	1872	
	24	32	4609	2809	807	7076	4323	1127	6524	3993	1336	6519	3985	1552	6254	3830	1632	5512	3792	1824	5035	3753	1936	
1.5+3.5+3.5	12	18	3510	2408	760	4717	3810	1071	4366	3517	1262	4346	3521	1472	4187	3366	1536	3922	3173	1648	3763	3018	1712	
	14	20	3510	2408	760	5068	3810	1071	4717	3553	1277	4664	3521	1488	4505	3405	1552	4187	3173	1664	4028	3057	1744	
	16	22	3510	2562	772	5420	3810	1085	5018	3553	1292	4982	3521	1504	4823	3405	1584	4505	3173	1696	4346	3057	1760	
	18	25	3764	2747	784	5771	4139	1099	5319	3846	1306	5300	3830	1520	5088	3676	1584	4770	3443	1712	4558	3289	1776	
	19	27	3890	2840	795	5972	4359	1113	5520	4030	1321	5512	4024	1536	5300	3869	1600	4982	3637	1712	4770	3482	1776	
	22	30	4313	2809	795	6624	4323	1113	6122	3993	1321	6095	3985	1552	5883	3830	1616	5300	3714	1776	4929	3637	1872	
	24	32	4609	2809	807	7076	4323	1127	6524	3993	1336	6519	3985	1552	6254	3830	1632	5512	3792	1824	5035	3753	1936	
1.8+1.8+1.8	12	18	3510	2408	760	4717	3810	1071	4366	3517	1262	4346	3521	1472	4187	3366	1536	3922	3173	1648	3763	3018	1712	
	14	20	3510	2408	760	5068	3810	1071	4717	3553	1277	4664	3521	1488	4505	3405	1552	4187	3173	1664	4028	3057	1744	
	16	22	3510	2562	772	5420	3810	1085	5018	3553	1292	4982	3521	1504	4823	3405	1584	4505	3173	1696	4346	3057	1760	
	18	25	3764	2747	784	5771	4139	1099	5319	3846	1306	5300	3830	1520	5088	3676	1584	4770	3443	1712	4558	3289	1776	
	19	27	3890	2840	795	5972	4359	1113	5520	4030	1321	5512	4024	1536	5300	3869	1600	4982	3637	1712	4770	3482	1776	
	22	30	4313	2809	795	6624	4323	1113	6122	3993	1321	6095	3985	1552	5883	3830	1616	5300	3714	1776	4929	3637	1872	
	24	32	4609	2809	807	7076	4323	1127	6524	3993	1336	6519	3985	1552	6254	3830	1632	5512	3792	1824	5035	3753	1936	
1.8+1.8+2.5	12	18	3510	2408	760	4717	3810	1071	4366	3517	1262	4346	3521	1472	4187	3366	1536	3922	3173	1648	3763	3018	1712	
	14	20	3510	2408	760	5068	3810	1071	4717	3553	1277	4664	3521	1488	4505	3405	1552	4187	3173	1664	4028	3057	1744	
	16	22	3510	2562	772	5420	3810	1085	5018	3553	1292	4982	3521	1504	4823	3405	1584	4505	3173	1696	4346	3057	1760	
	18	25	3764	2747	784	5771	4139	1099	5319	3846	1306	5300	3830	1520	5088	3676	1584	4770	3443	1712	4558	3289	1776	
	19	27	3890	2840	795	5972	4359	1113	5520	4030	1321	5512	4024	1536	5300	3869	1600	4982	3637	1712	4770	3482	1776	
	22	30	4313	2809	795	6624	4323	1113	6122	3993	1321	6095	3985	1552	5883	3830	1616	5300	3714	1776	4929	3637	1872	
	24	32	4609	2809	807	7076	4323	1127	6524	3993	1336	6519	3985	1552	6254	3830	1632	5512	3792	1824	5035	3753	1936	
1.8+1.8+3.5	12	18	3510	2408	760	4717	3810	1071	4366	3517	1262	4346	3521	1472	4187	3366	1536	3922	3173	1648	3763	3018	1712	
	14	20	3510	2408	760	5068	3810	1071	4717	3553	1277	4664	3521	1488	4505	3405	1552	4187	3173	1664	4028	3057	1744	
	16	22	3510	2562	772	5420	3810	1085	5018	3553	1292	4982	3521	1504	4823	3405	1584	4505	3173	1696	4346	3057	1760	
	18	25	3764	2747	784	5771	4139	1099	5319	3846	1306	5300	3830	1520	5088	3676	1584	4770	3443	1712	4558	3289	1776	
	19	27	3890	2840	795	5972	4359	1113	5520	4030	1321	5512	4024	1536	5300	3869	1600	4982	3637	1712	4770	3482	1776	
	22	30	4313	2809	795	6624	4323	1113	6122	3993	1321	6095	3985	1552	5883	3830	1616	5300	3714	1776	4929	3637	1872	
	24	32	4609	2809	807	7076	4323	1127	6524	3993	1336	6519	3985	1552	6254	3830	1632	5512	3792	1824	5035	3753	1936	
1.8+1.8+5.0	12	18	3510	2408	760	4717	3810	1071	4366	3517	1262	4346	3521	1472	4187	3366	1536	3922	3173	1648	3763	3018	1712	
	14	20	3510	2408	760	5068	3810	1071	4717	3553	1277	4664	3521	1488	4505	3405	1552	4187	3173	1664	4028	3057	1744	
	16	22	3510	2562	772	5420	3810	1085	5018	3553	1292	4982	3521	1504	4823	3405	1584	4505	3173	1696	4346	3057	1760	
	18	25	3764	2747	784	5771	4139	1099	5319	3846	1306	5300	3830	1520	5088	3676	1584	4770	3443	1712	4558	3289	1776	
	19	27	3890	2840	795	5972	4359	1113	5520	4030	1321	5512	4024	1536	5300	3869	1600	4982	3637	1712	4770	3482	1776	
	22	30	4313	2809	795	6624	4323	1113	6122	3993	1321	6095	3985	1552	5883	3830	1616	5300	3714	1776	4929	3637	1872	
	24	32	4609	2809	807	7076	4323	1127	6524	3993	1336	6519	3985	1552	6254	3830	1632	5512	3792	1824	5035	3753	1936	

		INDOOR		OUTDOOR TEMPERATURE (°CDB)																				
		EWB	EDB	-10			21			27			32			35			40			43		
		°C	°C	TC	SHC	PI	TC	SHC	PI	TC	SHC	PI	TC	SHC	PI	TC	SHC	PI	TC	SHC	PI	TC	SHC	PI
1.8+2.5+2.5	12	18	3510	2408	760	4717	3810	1071	4366	3517	1262	4346	3521	1472	4187	3366	1536	3922	3173	1648	3763	3018	1712	
	14	20	3510	2408	760	5068	3810	1071	4717	3553	1277	4664	3521	1488	4505	3405	1552	4187	3173	1664	4028	3057	1744	
	16	22	3510	2562	772	5420	3810	1085	5018	3553	1292	4982	3521	1504	4823	3405	1584	4505	3173	1696	4346	3057	1760	
	18	25	3764	2747	784	5771	4139	1099	5319	3846	1306	5300	3830	1520	5088	3676	1584	4770	3443	1712	4558	3289	1776	
	19	27	3890	2840	795	5972	4359	1113	5520	4030	1321	5512	4024	1536	5300	3869	1600	4982	3637	1712	4770	3482	1776	
	22	30	4313	2809	795	6624	4323	1113	6122	3993	1321	6095	3985	1552	5883	3830	1616	5300	3714	1776	4929	3637	1872	
	24	32	4609	2809	807	7076	4323	1127	6524	3993	1336	6519	3985	1552	6254	3830	1632	5512	3792	1824	5035	3753	1936	
1.8+2.5+3.5	12	18	3510	2408	760	4717	3810	1071	4366	3517	1262	4346	3521	1472	4187	3366	1536	3922	3173	1648	3763	3018	1712	
	14	20	3510	2408	760	5068	3810	1071	4717	3553	1277	4664	3521	1488	4505	3405	1552	4187	3173	1664	4028	3057	1744	
	16	22	3510	2562	772	5420	3810	1085	5018	3553	1292	4982	3521	1504	4823	3405	1584	4505	3173	1696	4346	3057	1760	
	18	25	3764	2747	784	5771	4139	1099	5319	3846	1306	5300	3830	1520	5088	3676	1584	4770	3443	1712	4558	3289	1776	
	19	27	3890	2840	795	5972	4359	1113	5520	4030	1321	5512	4024	1536	5300	3869	1600	4982	3637	1712	4770	3482	1776	
	22	30	4313	2809	795	6624	4323	1113	6122	3993	1321	6095	3985	1552	5883	3830	1616	5300	3714	1776	4929	3637	1872	
	24	32	4609	2809	807	7076	4323	1127	6524	3993	1336	6519	3985	1552	6254	3830	1632	5512	3792	1824	5035	3753	1936	
1.8+3.5+3.5	12	18	3510	2408	760	4717	3810	1071	4366	3517	1262	4346	3521	1472	4187	3366	1536	3922	3173	1648	3763	3018	1712	
	14	20	3510	2408	760	5068	3810	1071	4717	3553	1277	4664	3521	1488	4505	3405	1552	4187	3173	1664	4028	3057	1744	
	16	22	3510	2562	772	5420	3810	1085	5018	3553	1292	4982	3521	1504	4823	3405	1584	4505	3173	1696	4346	3057	1760	
	18	25	3764	2747	784	5771	4139	1099	5319	3846	1306	5300	3830	1520	5088	3676	1584	4770	3443	1712	4558	3289	1776	
	19	27	3890	2840	795	5972	4359	1113	5520	4030	1321	5512	4024	1536	5300	3869	1600	4982	3637	1712	4770	3482	1776	
	22	30	4313	2809	795	6624	4323	1113	6122	3993	1321	6095	3985	1552	5883	3830	1616	5300	3714	1776	4929	3637	1872	
	24	32	4609	2809	807	7076	4323	1127	6524	3993	1336	6519	3985	1552	6254	3830	1632	5512	3792	1824	5035	3753	1936	
2.5+2.5+2.5	12	18	3510	2408	760	4717	3810	1071	4366	3517	1262	4346	3521	1472	4187	3366	1536	3922	3173	1648	3763	3018	1712	
	14	20	3510	2408	760	5068	3810	1071	4717	3553	1277	4664	3521	1488	4505	3405	1552	4187	3173	1664	4028	3057	1744	
	16	22	3510	2562	772	5420	3810	1085	5018	3553	1292	4982	3521	1504	4823	3405	1584	4505	3173	1696	4346	3057	1760	
	18	25	3764	2747	784	5771	4139	1099	5319	3846	1306	5300	3830	1520	5088	3676	1584	4770	3443	1712	4558	3289	1776	
	19	27	3890	2840	795	5972	4359	1113	5520	4030	1321	5512	4024	1536	5300	3869	1600	4982	3637	1712	4770	3482	1776	
	22	30	4313	2809	795	6624	4323	1113	6122	3993	1321	6095	3985	1552	5883	3830	1616	5300	3714	1776	4929	3637	1872	
	24	32	4609	2809	807	7076	4323	1127	6524	3993	1336	6519	3985	1552	6254	3830	1632	5512	3792	1824	5035	3753	1936	
2.5+2.5+3.5	12	18	3510	2408	760	4717	3810	1071	4366	3517	1262	4346	3521	1472	4187	3366	1536	3922	3173	1648	3763	3018	1712	
	14	20	3510	2408	760	5068	3810	1071	4717	3553	1277	4664	3521	1488	4505	3405	1552	4187	3173	1664	4028	3057	1744	
	16	22	3510	2562	772	5420	3810	1085	5018	3553	1292	4982	3521	1504	4823	3405	1584	4505	3173	1696	4346	3057	1760	
	18	25	3764	2747	784	5771	4139	1099	5319	3846	1306	5300	3830	1520	5088	3676	1584	4770	3443	1712	4558	3289	1776	
	19	27	3890	2840	795	5972	4359	1113	5520	4030	1321	5512	4024	1536	5300	3869	1600	4982	3637	1712	4770	3482	1776	
	22	30	4313	2809	795	6624	4323	1113	6122	3993	1321	6095	3985	1552	5883	3830	1616	5300	3714	1776	4929	3637	1872	
	24	32	4609	2809	807	7076	4323	1127	6524	3993	1336	6519	3985	1552	6254	3830	1632	5512	3792	1824	5035	3753	1936	
(1.5+1.5) + (1.5+1.5)	12	18	3973	2726	874	5340	4313	1231	4942	3981	1451	4920	3986	1693	4740	3811	1766	4440	3592	1895	4260	3416	1969	
	14	20	3973	2726	874	5738	4313	1231	5340	4023	1468	5280	3986	1711	5100	3854	1785	4740	3592	1914	4560	3460	2006	
	16	22	3973	2901	887	6135	4313	1248	5681	4023	1485	5640	3986	1730	5460	3854	1822	5100	3592	1950	4920	3460	2024	
	18	25	4261	3110	901	6533	4686	1264	6022	4354	1502	6000	4336	1748	5760	4161	1822	5400	3898	1969	5160	3723	2042	
	19	27	4404	3215	915	6760	4935	1280	6249	4562	1519	6240	4555	1766	6000	4380	1840	5640	4117	1969	5400	3942	2042	
	22	30	4883	3180	915	7499	4893	1280	6931	4520	1519	6900	4511	1785	6660	4336	1858	6000	4205	2042	5580	4117	2153	
	24	32	5218	3180	928	8010	4893	1296	7385	4520	1537	7380	4511	1785	7080	4336	1877	6240	4292	2098	5700	4249	2226	

		INDOOR		OUTDOOR TEMPERATURE (°CDB)																				
		EWB	EDB	-10			21			27			32			35			40			43		
		°C	°C	TC	SHC	PI	TC	SHC	PI	TC	SHC	PI	TC	SHC	PI	TC	SHC	PI	TC	SHC	PI	TC	SHC	PI
(1.5+1.5) + (1.5+1.8)	12	18	4172	2862	921	5607	4529	1298	5189	4180	1530	5166	4185	1785	4977	4001	1862	4662	3771	1998	4473	3587	2076	
	14	20	4172	2862	921	6025	4529	1298	5607	4224	1548	5544	4185	1804	5355	4047	1882	4977	3771	2018	4788	3633	2115	
	16	22	4172	3046	936	6442	4529	1315	5965	4224	1566	5922	4185	1824	5733	4047	1921	5355	3771	2056	5166	3633	2134	
	18	25	4474	3266	950	6860	4920	1332	6323	4572	1584	6300	4553	1843	6048	4369	1921	5670	4093	2076	5418	3909	2153	
	19	27	4624	3376	964	7098	5182	1350	6561	4790	1602	6552	4783	1862	6300	4599	1940	5922	4323	2076	5670	4139	2153	
	22	30	5127	3339	964	7874	5138	1350	7277	4746	1602	7245	4737	1882	6993	4553	1959	6300	4415	2153	5859	4323	2270	
	24	32	5479	3339	979	8411	5138	1367	7754	4746	1620	7749	4737	1882	7434	4553	1979	6552	4507	2212	5985	4461	2347	
(1.5+1.5) + (1.5+2.5)	12	18	4636	3180	997	6230	5032	1405	5766	4645	1656	5740	4650	1932	5530	4446	2016	5180	4190	2163	4970	3986	2247	
	14	20	4636	3180	997	6694	5032	1405	6230	4693	1676	6160	4650	1953	5950	4497	2037	5530	4190	2184	5320	4037	2289	
	16	22	4636	3384	1013	7158	5032	1424	6628	4693	1695	6580	4650	1974	6370	4497	2079	5950	4190	2226	5740	4037	2310	
	18	25	4971	3629	1028	7622	5467	1442	7025	5080	1715	7000	5059	1995	6720	4855	2079	6300	4548	2247	6020	4344	2331	
	19	27	5138	3751	1044	7887	5757	1461	7290	5322	1734	7280	5314	2016	7000	5110	2100	6580	4803	2247	6300	4599	2331	
	22	30	5697	3710	1044	8749	5709	1461	8086	5274	1734	8050	5263	2037	7770	5059	2121	7000	4906	2331	6510	4803	2457	
	24	32	6088	3710	1060	9345	5709	1479	8616	5274	1754	8610	5263	2037	8260	5059	2142	7280	5008	2394	6650	4957	2541	
(1.5+1.5) + (1.5+3.5)	12	18	5298	3634	1140	7120	5751	1606	6590	5308	1893	6560	5314	2208	6320	5081	2304	5920	4789	2472	5680	4555	2568	
	14	20	5298	3634	1140	7650	5751	1606	7120	5363	1915	7040	5314	2232	6800	5139	2328	6320	4789	2496	6080	4614	2616	
	16	22	5298	3867	1158	8180	5751	1627	7574	5363	1937	7520	5314	2256	7280	5139	2376	6800	4789	2544	6560	4614	2640	
	18	25	5681	4147	1175	8711	6248	1648	8029	5806	1960	8000	5782	2280	7680	5548	2376	7200	5198	2568	6880	4964	2664	
	19	27	5872	4287	1193	9014	6580	1669	8332	6082	1982	8320	6074	2304	8000	5840	2400	7520	5490	2568	7200	5256	2664	
	22	30	6511	4240	1193	9998	6525	1669	9241	6027	1982	9200	6015	2328	8880	5782	2424	8000	5606	2664	7440	5490	2808	
	24	32	6957	4240	1211	10680	6525	1691	9847	6027	2004	9840	6015	2328	9440	5782	2448	8320	5723	2736	7600	5665	2904	
(1.5+1.5) + (1.5+5.0)	12	18	5497	3771	1197	7387	5966	1686	6837	5507	1988	6806	5514	2318	6557	5271	2419	6142	4968	2596	5893	4726	2696	
	14	20	5497	3771	1197	7937	5966	1686	7387	5565	2011	7304	5514	2344	7055	5332	2444	6557	4968	2621	6308	4787	2747	
	16	22	5497	4012	1215	8487	5966	1709	7859	5565	2034	7802	5514	2369	7553	5332	2495	7055	4968	2671	6806	4787	2772	
	18	25	5894	4303	1234	9037	6482	1731	8330	6024	2058	8300	5998	2394	7968	5756	2495	7470	5393	2696	7138	5150	2797	
	19	27	6093	4448	1253	9352	6827	1753	8644	6310	2081	8632	6301	2419	8300	6059	2520	7802	5695	2696	7470	5453	2797	
	22	30	6755	4399	1253	10373	6769	1753	9587	6253	2081	9545	6241	2444	9213	5998	2545	8300	5817	2797	7719	5695	2948	
	24	32	7218	4399	1272	11081	6769	1775	10216	6253	2104	10209	6241	2444	9794	5998	2570	8632	5938	2873	7885	5877	3049	
(1.5+1.5) + (1.8+2.5)	12	18	4834	3316	1045	6497	5247	1472	6013	4844	1735	5986	4849	2024	5767	4636	2112	5402	4370	2266	5183	4157	2354	
	14	20	4834	3316	1045	6981	5247	1472	6497	4894	1756	6424	4849	2046	6205	4690	2134	5767	4370	2288	5548	4210	2398	
	16	22	4834	3529	1061	7465	5247	1492	6912	4894	1776	6862	4849	2068	6643	4690	2178	6205	4370	2332	5986	4210	2420	
	18	25	5184	3784	1077	7948	5701	1511	7326	5298	1796	7300	5276	2090	7008	5063	2178	6570	4743	2354	6278	4530	2442	
	19	27	5359	3912	1094	8225	6004	1530	7603	5550	1817	7592	5542	2112	7300	5329	2200	6862	5009	2354	6570	4796	2442	
	22	30	5941	3869	1094	9123	5954	1530	8432	5500	1817	8395	5489	2134	8103	5276	2222	7300	5116	2442	6789	5009	2574	
	24	32	6349	3869	1110	9746	5954	1550	8985	5500	1837	8979	5489	2134	8614	5276	2244	7592	5222	2508	6935	5169	2662	
(1.5+1.5) + (1.8+3.5)	12	18	5497	3771	1197	7387	5966	1686	6837	5507	1988	6806	5514	2318	6557	5271	2419	6142	4968	2596	5893	4726	2696	
	14	20	5497	3771	1197	7937	5966	1686	7387	5565	2011	7304	5514	2344	7055	5332	2444	6557	4968	2621	6308	4787	2747	
	16	22	5497	4012	1215	8487	5966	1709	7859	5565	2034	7802	5514	2369	7553	5332	2495	7055	4968	2671	6806	4787	2772	
	18	25	5894	4303	1234	9037	6482	1731	8330	6024	2058	8300	5998	2394	7968	5756	2495	7470	5393	2696	7138	5150	2797	
	19	27	6093	4448	1253	9352	6827	1753	8644	6310	2081	8632	6301	2419	8300	6059	2520	7802	5695	2696	7470	5453	2797	
	22	30	6755	4399	1253	10373	6769	1753	9587	6253	2081	9545	6241	2444	9213	5998	2545	8300	5817	2797	7719	5695	2948	
	24	32	7218	4399	1272	11081	6769	1775	10216	6253	2104	10209	6241	2444	9794	5998	2570	8632	5938	2873	7885	5877	3049	

		INDOOR		OUTDOOR TEMPERATURE (°CDB)																				
		EWB	EDB	-10			21			27			32			35			40			43		
		°C	°C	TC	SHC	PI	TC	SHC	PI	TC	SHC	PI	TC	SHC	PI	TC	SHC	PI	TC	SHC	PI	TC	SHC	PI
(1.5+1.5) + (1.8+5.0)	12	18	5497	3771	1197	7387	5966	1686	6837	5507	1988	6806	5514	2318	6557	5271	2419	6142	4968	2596	5893	4726	2696	
	14	20	5497	3771	1197	7937	5966	1686	7387	5565	2011	7304	5514	2344	7055	5332	2444	6557	4968	2621	6308	4787	2747	
	16	22	5497	4012	1215	8487	5966	1709	7859	5565	2034	7802	5514	2369	7553	5332	2495	7055	4968	2671	6806	4787	2772	
	18	25	5894	4303	1234	9037	6482	1731	8330	6024	2058	8300	5998	2394	7968	5756	2495	7470	5393	2696	7138	5150	2797	
	19	27	6093	4448	1253	9352	6827	1753	8644	6310	2081	8632	6301	2419	8300	6059	2520	7802	5695	2696	7470	5453	2797	
	22	30	6755	4399	1253	10373	6769	1753	9587	6253	2081	9545	6241	2444	9213	5998	2545	8300	5817	2797	7719	5695	2948	
	24	32	7218	4399	1272	11081	6769	1775	10216	6253	2104	10209	6241	2444	9794	5998	2570	8632	5938	2873	7885	5877	3049	
(1.5+1.5) + (2.5+3.5)	12	18	5497	3771	1197	7387	5966	1686	6837	5507	1988	6806	5514	2318	6557	5271	2419	6142	4968	2596	5893	4726	2696	
	14	20	5497	3771	1197	7937	5966	1686	7387	5565	2011	7304	5514	2344	7055	5332	2444	6557	4968	2621	6308	4787	2747	
	16	22	5497	4012	1215	8487	5966	1709	7859	5565	2034	7802	5514	2369	7553	5332	2495	7055	4968	2671	6806	4787	2772	
	18	25	5894	4303	1234	9037	6482	1731	8330	6024	2058	8300	5998	2394	7968	5756	2495	7470	5393	2696	7138	5150	2797	
	19	27	6093	4448	1253	9352	6827	1753	8644	6310	2081	8632	6301	2419	8300	6059	2520	7802	5695	2696	7470	5453	2797	
	22	30	6755	4399	1253	10373	6769	1753	9587	6253	2081	9545	6241	2444	9213	5998	2545	8300	5817	2797	7719	5695	2948	
	24	32	7218	4399	1272	11081	6769	1775	10216	6253	2104	10209	6241	2444	9794	5998	2570	8632	5938	2873	7885	5877	3049	
(1.5+1.5) + (2.5+5.0)	12	18	5497	3771	1197	7387	5966	1686	6837	5507	1988	6806	5514	2318	6557	5271	2419	6142	4968	2596	5893	4726	2696	
	14	20	5497	3771	1197	7937	5966	1686	7387	5565	2011	7304	5514	2344	7055	5332	2444	6557	4968	2621	6308	4787	2747	
	16	22	5497	4012	1215	8487	5966	1709	7859	5565	2034	7802	5514	2369	7553	5332	2495	7055	4968	2671	6806	4787	2772	
	18	25	5894	4303	1234	9037	6482	1731	8330	6024	2058	8300	5998	2394	7968	5756	2495	7470	5393	2696	7138	5150	2797	
	19	27	6093	4448	1253	9352	6827	1753	8644	6310	2081	8632	6301	2419	8300	6059	2520	7802	5695	2696	7470	5453	2797	
	22	30	6755	4399	1253	10373	6769	1753	9587	6253	2081	9545	6241	2444	9213	5998	2545	8300	5817	2797	7719	5695	2948	
	24	32	7218	4399	1272	11081	6769	1775	10216	6253	2104	10209	6241	2444	9794	5998	2570	8632	5938	2873	7885	5877	3049	
(1.5+1.5) + (3.5+5.0)	12	18	5497	3771	1197	7387	5966	1686	6837	5507	1988	6806	5514	2318	6557	5271	2419	6142	4968	2596	5893	4726	2696	
	14	20	5497	3771	1197	7937	5966	1686	7387	5565	2011	7304	5514	2344	7055	5332	2444	6557	4968	2621	6308	4787	2747	
	16	22	5497	4012	1215	8487	5966	1709	7859	5565	2034	7802	5514	2369	7553	5332	2495	7055	4968	2671	6806	4787	2772	
	18	25	5894	4303	1234	9037	6482	1731	8330	6024	2058	8300	5998	2394	7968	5756	2495	7470	5393	2696	7138	5150	2797	
	19	27	6093	4448	1253	9352	6827	1753	8644	6310	2081	8632	6301	2419	8300	6059	2520	7802	5695	2696	7470	5453	2797	
	22	30	6755	4399	1253	10373	6769	1753	9587	6253	2081	9545	6241	2444	9213	5998	2545	8300	5817	2797	7719	5695	2948	
	24	32	7218	4399	1272	11081	6769	1775	10216	6253	2104	10209	6241	2444	9794	5998	2570	8632	5938	2873	7885	5877	3049	
(1.5+1.8) + (1.5+1.8)	12	18	4371	2998	969	5874	4744	1365	5437	4379	1609	5412	4384	1877	5214	4192	1958	4884	3951	2101	4686	3758	2183	
	14	20	4371	2998	969	6311	4744	1365	5874	4425	1628	5808	4384	1897	5610	4240	1979	5214	3951	2122	5016	3806	2224	
	16	22	4371	3191	984	6749	4744	1383	6249	4425	1647	6204	4384	1918	6006	4240	2020	5610	3951	2162	5412	3806	2244	
	18	25	4687	3421	999	7186	5155	1401	6624	4790	1666	6600	4770	1938	6336	4577	2020	5940	4288	2183	5676	4095	2264	
	19	27	4845	3537	1014	7436	5428	1419	6874	5018	1685	6864	5011	1958	6600	4818	2040	6204	4529	2183	5940	4336	2264	
	22	30	5371	3498	1014	8249	5383	1419	7624	4972	1685	7590	4963	1979	7326	4770	2060	6600	4625	2264	6138	4529	2387	
	24	32	5740	3498	1029	8811	5383	1437	8124	4972	1704	8118	4963	1979	7788	4770	2081	6864	4722	2326	6270	4673	2468	
(1.5+1.8) + (1.8+1.8)	12	18	4569	3135	997	6141	4960	1405	5684	4578	1656	5658	4584	1932	5451	4382	2016	5106	4130	2163	4899	3929	2247	
	14	20	4569	3135	997	6598	4960	1405	6141	4626	1676	6072	4584	1953	5865	4433	2037	5451	4130	2184	5244	3979	2289	
	16	22	4569	3336	1013	7056	4960	1424	6533	4626	1695	6486	4584	1974	6279	4433	2079	5865	4130	2226	5658	3979	2310	
	18	25	4900	3577	1028	7513	5389	1442	6925	5008	1715	6900	4987	1995	6624	4785	2079	6210	4483	2247	5934	4281	2331	
	19	27	5065	3697	1044	7774	5675	1461	7186	5246	1734	7176	5238	2016	6900	5037	2100	6486	4735	2247	6210	4533	2331	
	22	30	5615	3657	1044	8624	5628	1461	7970	5198	1734	7935	5188	2037	7659	4987	2121	6900	4836	2331	6417	4735	2457	
	24	32	6001	3657	1060	9212	5628	1479	8493	5198	1754	8487	5188	2037	8142	4987	2142	7176	4936	2394	6555	4886	2541	

INDOOR		OUTDOOR TEMPERATURE (°CDB)																					
EWB	EDB	-10			21			27			32			35			40			43			
°C	°C	TC	SHC	PI	TC	SHC	PI	TC	SHC	PI	TC	SHC	PI	TC	SHC	PI	TC	SHC	PI	TC	SHC	PI	
(1.5+1.8) + (1.8+2.5)	12	18	5033	3453	1092	6764	5463	1539	6260	5043	1814	6232	5049	2116	6004	4827	2208	5624	4549	2369	5396	4327	2461
	14	20	5033	3453	1092	7268	5463	1539	6764	5095	1835	6688	5049	2139	6460	4882	2231	6004	4549	2392	5776	4383	2507
	16	22	5033	3674	1109	7771	5463	1559	7196	5095	1857	7144	5049	2162	6916	4882	2277	6460	4549	2438	6232	4383	2530
	18	25	5397	3940	1126	8275	5936	1580	7627	5516	1878	7600	5493	2185	7296	5271	2277	6840	4938	2461	6536	4716	2553
	19	27	5579	4072	1143	8563	6251	1600	7915	5778	1899	7904	5770	2208	7600	5548	2300	7144	5215	2461	6840	4993	2553
	22	30	6185	4028	1143	9498	6198	1600	8779	5726	1899	8740	5714	2231	8436	5493	2323	7600	5326	2553	7068	5215	2691
	24	32	6610	4028	1161	10146	6198	1620	9354	5726	1921	9348	5714	2231	8968	5493	2346	7904	5437	2622	7220	5382	2783
(1.5+1.8) + (1.8+3.5)	12	18	5695	3907	1244	7654	6182	1753	7084	5706	2066	7052	5713	2410	6794	5462	2515	6364	5148	2699	6106	4897	2803
	14	20	5695	3907	1244	8224	6182	1753	7654	5766	2091	7568	5713	2437	7310	5525	2541	6794	5148	2725	6536	4960	2856
	16	22	5695	4158	1264	8794	6182	1776	8143	5766	2115	8084	5713	2463	7826	5525	2594	7310	5148	2777	7052	4960	2882
	18	25	6107	4458	1283	9364	6717	1799	8631	6241	2139	8600	6215	2489	8256	5964	2594	7740	5587	2803	7396	5336	2908
	19	27	6313	4608	1303	9690	7073	1823	8957	6538	2164	8944	6529	2515	8600	6278	2620	8084	5901	2803	7740	5650	2908
	22	30	6999	4558	1303	10748	7014	1823	9934	6479	2164	9890	6466	2541	9546	6215	2646	8600	6027	2908	7998	5901	3065
	24	32	7479	4558	1322	11481	7014	1846	10585	6479	2188	10578	6466	2541	10148	6215	2672	8944	6152	2987	8170	6090	3170
(1.5+1.8) + (1.8+5.0)	12	18	5695	3907	1244	7654	6182	1753	7084	5706	2066	7052	5713	2410	6794	5462	2515	6364	5148	2699	6106	4897	2803
	14	20	5695	3907	1244	8224	6182	1753	7654	5766	2091	7568	5713	2437	7310	5525	2541	6794	5148	2725	6536	4960	2856
	16	22	5695	4158	1264	8794	6182	1776	8143	5766	2115	8084	5713	2463	7826	5525	2594	7310	5148	2777	7052	4960	2882
	18	25	6107	4458	1283	9364	6717	1799	8631	6241	2139	8600	6215	2489	8256	5964	2594	7740	5587	2803	7396	5336	2908
	19	27	6313	4608	1303	9690	7073	1823	8957	6538	2164	8944	6529	2515	8600	6278	2620	8084	5901	2803	7740	5650	2908
	22	30	6999	4558	1303	10748	7014	1823	9934	6479	2164	9890	6466	2541	9546	6215	2646	8600	6027	2908	7998	5901	3065
	24	32	7479	4558	1322	11481	7014	1846	10585	6479	2188	10578	6466	2541	10148	6215	2672	8944	6152	2987	8170	6090	3170
(1.5+1.8) + (2.5+2.5)	12	18	5497	3771	1182	7387	5966	1666	6837	5507	1964	6806	5514	2291	6557	5271	2390	6142	4968	2565	5893	4726	2664
	14	20	5497	3771	1182	7937	5966	1666	7387	5565	1987	7304	5514	2316	7055	5332	2415	6557	4968	2590	6308	4787	2714
	16	22	5497	4012	1201	8487	5966	1688	7859	5565	2010	7802	5514	2341	7553	5332	2465	7055	4968	2639	6806	4787	2739
	18	25	5894	4303	1219	9037	6482	1710	8330	6024	2033	8300	5998	2366	7968	5756	2465	7470	5393	2664	7138	5150	2764
	19	27	6093	4448	1238	9352	6827	1732	8644	6310	2056	8632	6301	2390	8300	6059	2490	7802	5695	2664	7470	5453	2764
	22	30	6755	4399	1238	10373	6769	1732	9587	6253	2056	9545	6241	2415	9213	5998	2515	8300	5817	2764	7719	5695	2913
	24	32	7218	4399	1256	11081	6769	1754	10216	6253	2079	10209	6241	2415	9794	5998	2540	8632	5938	2839	7885	5877	3013
(1.5+1.8) + (2.5+3.5)	12	18	5695	3907	1244	7654	6182	1753	7084	5706	2066	7052	5713	2410	6794	5462	2515	6364	5148	2699	6106	4897	2803
	14	20	5695	3907	1244	8224	6182	1753	7654	5766	2091	7568	5713	2437	7310	5525	2541	6794	5148	2725	6536	4960	2856
	16	22	5695	4158	1264	8794	6182	1776	8143	5766	2115	8084	5713	2463	7826	5525	2594	7310	5148	2777	7052	4960	2882
	18	25	6107	4458	1283	9364	6717	1799	8631	6241	2139	8600	6215	2489	8256	5964	2594	7740	5587	2803	7396	5336	2908
	19	27	6313	4608	1303	9690	7073	1823	8957	6538	2164	8944	6529	2515	8600	6278	2620	8084	5901	2803	7740	5650	2908
	22	30	6999	4558	1303	10748	7014	1823	9934	6479	2164	9890	6466	2541	9546	6215	2646	8600	6027	2908	7998	5901	3065
	24	32	7479	4558	1322	11481	7014	1846	10585	6479	2188	10578	6466	2541	10148	6215	2672	8944	6152	2987	8170	6090	3170
(1.5+1.8) + (2.5+5.0)	12	18	5695	3907	1244	7654	6182	1753	7084	5706	2066	7052	5713	2410	6794	5462	2515	6364	5148	2699	6106	4897	2803
	14	20	5695	3907	1244	8224	6182	1753	7654	5766	2091	7568	5713	2437	7310	5525	2541	6794	5148	2725	6536	4960	2856
	16	22	5695	4158	1264	8794	6182	1776	8143	5766	2115	8084	5713	2463	7826	5525	2594	7310	5148	2777	7052	4960	2882
	18	25	6107	4458	1283	9364	6717	1799	8631	6241	2139	8600	6215	2489	8256	5964	2594	7740	5587	2803	7396	5336	2908
	19	27	6313	4608	1303	9690	7073	1823	8957	6538	2164	8944	6529	2515	8600	6278	2620	8084	5901	2803	7740	5650	2908
	22	30	6999	4558	1303	10748	7014	1823	9934	6479	2164	9890	6466	2541	9546	6215	2646	8600	6027	2908	7998	5901	3065
	24	32	7479	4558	1322	11481	7014	1846	10585	6479	2188	10578	6466	2541	10148	6215	2672	8944	6152	2987	8170	6090	3170



		INDOOR		OUTDOOR TEMPERATURE (°CDB)																				
		EWB	EDB	-10			21			27			32			35			40			43		
		°C	°C	TC	SHC	PI	TC	SHC	PI	TC	SHC	PI	TC	SHC	PI	TC	SHC	PI	TC	SHC	PI	TC	SHC	PI
(1.5+1.8) + (3.5+3.5)	12	18	5695	3907	1244	7654	6182	1753	7084	5706	2066	7052	5713	2410	6794	5462	2515	6364	5148	2699	6106	4897	2803	
	14	20	5695	3907	1244	8224	6182	1753	7654	5766	2091	7568	5713	2437	7310	5525	2541	6794	5148	2725	6536	4960	2856	
	16	22	5695	4158	1264	8794	6182	1776	8143	5766	2115	8084	5713	2463	7826	5525	2594	7310	5148	2777	7052	4960	2882	
	18	25	6107	4458	1283	9364	6717	1799	8631	6241	2139	8600	6215	2489	8256	5964	2594	7740	5587	2803	7396	5336	2908	
	19	27	6313	4608	1303	9690	7073	1823	8957	6538	2164	8944	6529	2515	8600	6278	2620	8084	5901	2803	7740	5650	2908	
	22	30	6999	4558	1303	10748	7014	1823	9934	6479	2164	9890	6466	2541	9546	6215	2646	8600	6027	2908	7998	5901	3065	
	24	32	7479	4558	1322	11481	7014	1846	10585	6479	2188	10578	6466	2541	10148	6215	2672	8944	6152	2987	8170	6090	3170	
(1.5+1.8) + (3.5+5.0)	12	18	5695	3907	1244	7654	6182	1753	7084	5706	2066	7052	5713	2410	6794	5462	2515	6364	5148	2699	6106	4897	2803	
	14	20	5695	3907	1244	8224	6182	1753	7654	5766	2091	7568	5713	2437	7310	5525	2541	6794	5148	2725	6536	4960	2856	
	16	22	5695	4158	1264	8794	6182	1776	8143	5766	2115	8084	5713	2463	7826	5525	2594	7310	5148	2777	7052	4960	2882	
	18	25	6107	4458	1283	9364	6717	1799	8631	6241	2139	8600	6215	2489	8256	5964	2594	7740	5587	2803	7396	5336	2908	
	19	27	6313	4608	1303	9690	7073	1823	8957	6538	2164	8944	6529	2515	8600	6278	2620	8084	5901	2803	7740	5650	2908	
	22	30	6999	4558	1303	10748	7014	1823	9934	6479	2164	9890	6466	2541	9546	6215	2646	8600	6027	2908	7998	5901	3065	
	24	32	7479	4558	1322	11481	7014	1846	10585	6479	2188	10578	6466	2541	10148	6215	2672	8944	6152	2987	8170	6090	3170	
(1.5+2.5) + (1.5+2.5)	12	18	5298	3634	1121	7120	5751	1579	6590	5308	1861	6560	5314	2171	6320	5081	2266	5920	4789	2431	5680	4555	2525	
	14	20	5298	3634	1121	7650	5751	1579	7120	5363	1883	7040	5314	2195	6800	5139	2289	6320	4789	2454	6080	4614	2572	
	16	22	5298	3867	1138	8180	5751	1600	7574	5363	1905	7520	5314	2218	7280	5139	2336	6800	4789	2502	6560	4614	2596	
	18	25	5681	4147	1156	8711	6248	1621	8029	5806	1927	8000	5782	2242	7680	5548	2336	7200	5198	2525	6880	4964	2620	
	19	27	5872	4287	1173	9014	6580	1642	8332	6082	1949	8320	6074	2266	8000	5840	2360	7520	5490	2525	7200	5256	2620	
	22	30	6511	4240	1173	9998	6525	1642	9241	6027	1949	9200	6015	2289	8880	5782	2384	8000	5606	2620	7440	5490	2761	
	24	32	6957	4240	1191	10680	6525	1662	9847	6027	1971	9840	6015	2289	9440	5782	2407	8320	5723	2690	7600	5665	2856	
(1.5+2.5) + (2.5+2.5)	12	18	5960	4089	1258	8010	6469	1773	7414	5972	2090	7380	5979	2438	7110	5716	2544	6660	5387	2730	6390	5125	2836	
	14	20	5960	4089	1258	8606	6469	1773	8010	6034	2115	7920	5979	2465	7650	5782	2571	7110	5387	2756	6840	5190	2889	
	16	22	5960	4351	1278	9203	6469	1797	8521	6034	2139	8460	5979	2491	8190	5782	2624	7650	5387	2809	7380	5190	2915	
	18	25	6391	4665	1298	9799	7029	1820	9033	6532	2164	9000	6504	2518	8640	6242	2624	8100	5847	2836	7740	5585	2942	
	19	27	6606	4823	1317	10140	7402	1843	9373	6843	2188	9360	6833	2544	9000	6570	2650	8460	6176	2836	8100	5913	2942	
	22	30	7324	4770	1317	11248	7340	1843	10396	6780	2188	10350	6767	2571	9990	6504	2677	9000	6307	2942	8370	6176	3101	
	24	32	7827	4770	1337	12015	7340	1867	11078	6780	2213	11070	6767	2571	10620	6504	2703	9360	6439	3021	8550	6373	3207	
(1.5+2.5) + (2.5+3.5)	12	18	6159	4225	1320	8277	6685	1860	7661	6171	2193	7626	6178	2558	7347	5906	2669	6882	5567	2863	6603	5295	2975	
	14	20	6159	4225	1320	8893	6685	1860	8277	6235	2218	8184	6178	2585	7905	5974	2697	7347	5567	2891	7068	5363	3030	
	16	22	6159	4496	1341	9510	6685	1885	8805	6235	2244	8742	6178	2613	8463	5974	2752	7905	5567	2947	7626	5363	3058	
	18	25	6604	4821	1361	10126	7264	1909	9334	6749	2270	9300	6721	2641	8928	6450	2752	8370	6042	2975	7998	5771	3086	
	19	27	6827	4983	1382	10478	7649	1934	9686	7071	2296	9672	7061	2669	9300	6789	2780	8742	6382	2975	8370	6110	3086	
	22	30	7569	4929	1382	11623	7585	1934	10742	7006	2296	10695	6993	2697	10323	6721	2808	9300	6517	3086	8649	6382	3253	
	24	32	8088	4929	1403	12416	7585	1958	11447	7006	2322	11439	6993	2697	10974	6721	2836	9672	6653	3169	8835	6585	3364	
(1.5+2.5) + (2.5+5.0)	12	18	6159	4225	1320	8277	6685	1860	7661	6171	2193	7626	6178	2558	7347	5906	2669	6882	5567	2863	6603	5295	2975	
	14	20	6159	4225	1320	8893	6685	1860	8277	6235	2218	8184	6178	2585	7905	5974	2697	7347	5567	2891	7068	5363	3030	
	16	22	6159	4496	1341	9510	6685	1885	8805	6235	2244	8742	6178	2613	8463	5974	2752	7905	5567	2947	7626	5363	3058	
	18	25	6604	4821	1361	10126	7264	1909	9334	6749	2270	9300	6721	2641	8928	6450	2752	8370	6042	2975	7998	5771	3086	
	19	27	6827	4983	1382	10478	7649	1934	9686	7071	2296	9672	7061	2669	9300	6789	2780	8742	6382	2975	8370	6110	3086	
	22	30	7569	4929	1382	11623	7585	1934	10742	7006	2296	10695	6993	2697	10323	6721	2808	9300	6517	3086	8649	6382	3253	
	24	32	8088	4929	1403	12416	7585	1958	11447	7006	2322	11439	6993	2697	10974	6721	2836	9672	6653	3169	8835	6585	3364	

		INDOOR		OUTDOOR TEMPERATURE (°CDB)																				
		EWB	EDB	-10			21			27			32			35			40			43		
		°C	°C	TC	SHC	PI	TC	SHC	PI	TC	SHC	PI	TC	SHC	PI	TC	SHC	PI	TC	SHC	PI	TC	SHC	PI
(1.5+2.5) + (3.5+3.5)	12	18	6159	4225	1320	8277	6685	1860	7661	6171	2193	7626	6178	2558	7347	5906	2669	6882	5567	2863	6603	5295	2975	
	14	20	6159	4225	1320	8893	6685	1860	8277	6235	2218	8184	6178	2585	7905	5974	2697	7347	5567	2891	7068	5363	3030	
	16	22	6159	4496	1341	9510	6685	1885	8805	6235	2244	8742	6178	2613	8463	5974	2752	7905	5567	2947	7626	5363	3058	
	18	25	6604	4821	1361	10126	7264	1909	9334	6749	2270	9300	6721	2641	8928	6450	2752	8370	6042	2975	7998	5771	3086	
	19	27	6827	4983	1382	10478	7649	1934	9686	7071	2296	9672	7061	2669	9300	6789	2780	8742	6382	2975	8370	6110	3086	
	22	30	7569	4929	1382	11623	7585	1934	10742	7006	2296	10695	6993	2697	10323	6721	2808	9300	6517	3086	8649	6382	3253	
	24	32	8088	4929	1403	12416	7585	1958	11447	7006	2322	11439	6993	2697	10974	6721	2836	9672	6653	3169	8835	6585	3364	
(1.5+2.5) + (3.5+5.0)	12	18	6159	4225	1320	8277	6685	1860	7661	6171	2193	7626	6178	2558	7347	5906	2669	6882	5567	2863	6603	5295	2975	
	14	20	6159	4225	1320	8893	6685	1860	8277	6235	2218	8184	6178	2585	7905	5974	2697	7347	5567	2891	7068	5363	3030	
	16	22	6159	4496	1341	9510	6685	1885	8805	6235	2244	8742	6178	2613	8463	5974	2752	7905	5567	2947	7626	5363	3058	
	18	25	6604	4821	1361	10126	7264	1909	9334	6749	2270	9300	6721	2641	8928	6450	2752	8370	6042	2975	7998	5771	3086	
	19	27	6827	4983	1382	10478	7649	1934	9686	7071	2296	9672	7061	2669	9300	6789	2780	8742	6382	2975	8370	6110	3086	
	22	30	7569	4929	1382	11623	7585	1934	10742	7006	2296	10695	6993	2697	10323	6721	2808	9300	6517	3086	8649	6382	3253	
	24	32	8088	4929	1403	12416	7585	1958	11447	7006	2322	11439	6993	2697	10974	6721	2836	9672	6653	3169	8835	6585	3364	
(1.5+3.5) + (1.5+3.5)	12	18	6622	4543	1406	8900	7188	1981	8237	6635	2335	8200	6643	2723	7900	6351	2842	7400	5986	3049	7100	5694	3167	
	14	20	6622	4543	1406	9563	7188	1981	8900	6704	2362	8800	6643	2753	8500	6424	2871	7900	5986	3078	7600	5767	3226	
	16	22	6622	4834	1428	10226	7188	2007	9468	6704	2389	9400	6643	2782	9100	6424	2930	8500	5986	3138	8200	5767	3256	
	18	25	7101	5184	1450	10888	7810	2033	10036	7257	2417	10000	7227	2812	9600	6935	2930	9000	6497	3167	8600	6205	3286	
	19	27	7340	5359	1472	11267	8225	2059	10415	7603	2444	10400	7592	2842	10000	7300	2960	9400	6862	3167	9000	6570	3286	
	22	30	8138	5300	1472	12498	8156	2059	11551	7534	2444	11500	7519	2871	11100	7227	2990	10000	7008	3286	9300	6862	3463	
	24	32	8697	5300	1494	13350	8156	2085	12309	7534	2472	12300	7519	2871	11800	7227	3019	10400	7154	3374	9500	7081	3582	
(1.5+3.5) + (3.5+3.5)	12	18	6821	4679	1463	9167	7404	2061	8484	6834	2429	8446	6842	2834	8137	6542	2957	7622	6166	3172	7313	5865	3296	
	14	20	6821	4679	1463	9850	7404	2061	9167	6905	2458	9064	6842	2864	8755	6617	2988	8137	6166	3203	7828	5940	3357	
	16	22	6821	4979	1486	10532	7404	2088	9752	6905	2486	9682	6842	2895	9373	6617	3049	8755	6166	3265	8446	5940	3388	
	18	25	7314	5339	1508	11215	8045	2115	10337	7475	2515	10300	7444	2926	9888	7143	3049	9270	6692	3296	8858	6391	3419	
	19	27	7561	5519	1531	11605	8472	2143	10727	7831	2543	10712	7820	2957	10300	7519	3080	9682	7068	3296	9270	6767	3419	
	22	30	8382	5459	1531	12873	8400	2143	11898	7760	2543	11845	7745	2988	11433	7444	3111	10300	7218	3419	9579	7068	3604	
	24	32	8958	5459	1554	13751	8400	2170	12678	7760	2572	12669	7745	2988	12154	7444	3142	10712	7369	3511	9785	7293	3727	
(1.5+3.5) + (3.5+5.0)	12	18	6821	4679	1463	9167	7404	2061	8484	6834	2429	8446	6842	2834	8137	6542	2957	7622	6166	3172	7313	5865	3296	
	14	20	6821	4679	1463	9850	7404	2061	9167	6905	2458	9064	6842	2864	8755	6617	2988	8137	6166	3203	7828	5940	3357	
	16	22	6821	4979	1486	10532	7404	2088	9752	6905	2486	9682	6842	2895	9373	6617	3049	8755	6166	3265	8446	5940	3388	
	18	25	7314	5339	1508	11215	8045	2115	10337	7475	2515	10300	7444	2926	9888	7143	3049	9270	6692	3296	8858	6391	3419	
	19	27	7561	5519	1531	11605	8472	2143	10727	7831	2543	10712	7820	2957	10300	7519	3080	9682	7068	3296	9270	6767	3419	
	22	30	8382	5459	1531	12873	8400	2143	11898	7760	2543	11845	7745	2988	11433	7444	3111	10300	7218	3419	9579	7068	3604	
	24	32	8958	5459	1554	13751	8400	2170	12678	7760	2572	12669	7745	2988	12154	7444	3142	10712	7369	3511	9785	7293	3727	
(1.5+5.0) + (1.5+5.0)	12	18	7020	4816	1520	9434	7619	2141	8731	7033	2524	8692	7042	2944	8374	6732	3072	7844	6345	3296	7526	6036	3424	
	14	20	7020	4816	1520	10137	7619	2141	9434	7107	2554	9328	7042	2976	9010	6809	3104	8374	6345	3328	8056	6113	3488	
	16	22	7020	5124	1543	10839	7619	2170	10036	7107	2583	9964	7042	3008	9646	6809	3168	9010	6345	3392	8692	6113	3520	
	18	25	7527	5495	1567	11542	8279	2198	10638	7693	2613	10600	7661	3040	10176	7351	3168	9540	6887	3424	9116	6577	3552	
	19	27	7781	5680	1591	11943	8718	2226	11040	8059	2643	11024	8048	3072	10600	7738	3200	9964	7274	3424	9540	6964	3552	
	22	30	8627	5618	1591	13248	8645	2226	12244	7986	2643	12190	7970	3104	11766	7661	3232	10600	7428	3552	9858	7274	3744	
	24	32	9219	5618	1615	14151	8645	2254	13047	7986	2672	13038	7970	3104	12508	7661	3264	11024	7583	3648	10070	7506	3872	

		INDOOR		OUTDOOR TEMPERATURE (°CDB)																				
		EWB	EDB	-10			21			27			32			35			40			43		
		°C	°C	TC	SHC	PI	TC	SHC	PI	TC	SHC	PI	TC	SHC	PI	TC	SHC	PI	TC	SHC	PI	TC	SHC	PI
(1.8+1.8) + (1.8+1.8)	12	18	4768	3271	1026	6408	5175	1445	5931	4777	1704	5904	4783	1987	5688	4573	2074	5328	4310	2225	5112	4100	2311	
	14	20	4768	3271	1026	6885	5175	1445	6408	4827	1724	6336	4783	2009	6120	4625	2095	5688	4310	2246	5472	4152	2354	
	16	22	4768	3481	1042	7362	5175	1465	6817	4827	1744	6768	4783	2030	6552	4625	2138	6120	4310	2290	5904	4152	2376	
	18	25	5113	3732	1058	7840	5623	1484	7226	5225	1764	7200	5203	2052	6912	4993	2138	6480	4678	2311	6192	4468	2398	
	19	27	5285	3858	1074	8112	5922	1503	7499	5474	1784	7488	5466	2074	7200	5256	2160	6768	4941	2311	6480	4730	2398	
	22	30	5860	3816	1074	8998	5872	1503	8317	5424	1784	8280	5414	2095	7992	5203	2182	7200	5046	2398	6696	4941	2527	
	24	32	6262	3816	1090	9612	5872	1522	8862	5424	1804	8856	5414	2095	8496	5203	2203	7488	5151	2462	6840	5098	2614	
(1.8+1.8) + (1.8+2.5)	12	18	5232	3589	1121	7031	5679	1579	6507	5242	1861	6478	5248	2171	6241	5017	2266	5846	4729	2431	5609	4498	2525	
	14	20	5232	3589	1121	7555	5679	1579	7031	5296	1883	6952	5248	2195	6715	5075	2289	6241	4729	2454	6004	4556	2572	
	16	22	5232	3819	1138	8078	5679	1600	7480	5296	1905	7426	5248	2218	7189	5075	2336	6715	4729	2502	6478	4556	2596	
	18	25	5610	4095	1156	8602	6170	1621	7929	5733	1927	7900	5709	2242	7584	5479	2336	7110	5133	2525	6794	4902	2620	
	19	27	5799	4233	1173	8901	6498	1642	8228	6006	1949	8216	5998	2266	7900	5767	2360	7426	5421	2525	7110	5190	2620	
	22	30	6429	4187	1173	9873	6443	1642	9125	5952	1949	9085	5940	2289	8769	5709	2384	7900	5536	2620	7347	5421	2761	
	24	32	6870	4187	1191	10547	6443	1662	9724	5952	1971	9717	5940	2289	9322	5709	2407	8216	5652	2690	7505	5594	2856	
(1.8+2.5) + (1.8+2.5)	12	18	5695	3907	1216	7654	6182	1713	7084	5706	2019	7052	5713	2355	6794	5462	2458	6364	5148	2637	6106	4897	2739	
	14	20	5695	3907	1216	8224	6182	1713	7654	5766	2043	7568	5713	2381	7310	5525	2483	6794	5148	2662	6536	4960	2790	
	16	22	5695	4158	1235	8794	6182	1736	8143	5766	2067	8084	5713	2406	7826	5525	2534	7310	5148	2714	7052	4960	2816	
	18	25	6107	4458	1254	9364	6717	1758	8631	6241	2090	8600	6215	2432	8256	5964	2534	7740	5587	2739	7396	5336	2842	
	19	27	6313	4608	1273	9690	7073	1781	8957	6538	2114	8944	6529	2458	8600	6278	2560	8084	5901	2739	7740	5650	2842	
	22	30	6999	4558	1273	10748	7014	1781	9934	6479	2114	9890	6466	2483	9546	6215	2586	8600	6027	2842	7998	5901	2995	
	24	32	7479	4558	1292	11481	7014	1803	10585	6479	2138	10578	6466	2483	10148	6215	2611	8944	6152	2918	8170	6090	3098	
(1.8+1.8) + (1.8+3.5)	12	18	5894	4043	1273	7921	6397	1793	7331	5905	2114	7298	5912	2466	7031	5652	2573	6586	5328	2760	6319	5068	2868	
	14	20	5894	4043	1273	8511	6397	1793	7921	5967	2139	7832	5912	2492	7565	5717	2600	7031	5328	2787	6764	5133	2921	
	16	22	5894	4303	1293	9101	6397	1817	8427	5967	2163	8366	5912	2519	8099	5717	2653	7565	5328	2841	7298	5133	2948	
	18	25	6320	4614	1312	9691	6951	1841	8932	6459	2188	8900	6432	2546	8544	6172	2653	8010	5782	2868	7654	5522	2975	
	19	27	6533	4769	1332	10028	7320	1864	9269	6767	2213	9256	6757	2573	8900	6497	2680	8366	6107	2868	8010	5847	2975	
	22	30	7243	4717	1332	11123	7259	1864	10280	6705	2213	10235	6692	2600	9879	6432	2707	8900	6237	2975	8277	6107	3136	
	24	32	7740	4717	1352	11882	7259	1888	10955	6705	2238	10947	6692	2600	10502	6432	2734	9256	6367	3055	8455	6302	3243	
(1.8+2.5) + (1.8+3.5)	12	18	6357	4361	1368	8544	6901	1927	7908	6370	2271	7872	6377	2650	7584	6097	2765	7104	5747	2966	6816	5466	3082	
	14	20	6357	4361	1368	9180	6901	1927	8544	6436	2298	8448	6377	2678	8160	6167	2794	7584	5747	2995	7296	5536	3139	
	16	22	6357	4641	1389	9817	6901	1953	9089	6436	2325	9024	6377	2707	8736	6167	2851	8160	5747	3053	7872	5536	3168	
	18	25	6817	4976	1410	10453	7498	1978	9635	6967	2352	9600	6938	2736	9216	6658	2851	8640	6237	3082	8256	5957	3197	
	19	27	7047	5144	1432	10816	7896	2003	9998	7299	2378	9984	7288	2765	9600	7008	2880	9024	6588	3082	8640	6307	3197	
	22	30	7813	5088	1432	11998	7830	2003	11089	7232	2378	11040	7218	2794	10656	6938	2909	9600	6728	3197	8928	6588	3370	
	24	32	8349	5088	1453	12816	7830	2029	11816	7232	2405	11808	7218	2794	11328	6938	2938	9984	6868	3283	9120	6798	3485	
(1.8+1.8) + (1.8+5.0)	12	18	5894	4043	1273	7921	6397	1793	7331	5905	2114	7298	5912	2466	7031	5652	2573	6586	5328	2760	6319	5068	2868	
	14	20	5894	4043	1273	8511	6397	1793	7921	5967	2139	7832	5912	2492	7565	5717	2600	7031	5328	2787	6764	5133	2921	
	16	22	5894	4303	1293	9101	6397	1817	8427	5967	2163	8366	5912	2519	8099	5717	2653	7565	5328	2841	7298	5133	2948	
	18	25	6320	4614	1312	9691	6951	1841	8932	6459	2188	8900	6432	2546	8544	6172	2653	8010	5782	2868	7654	5522	2975	
	19	27	6533	4769	1332	10028	7320	1864	9269	6767	2213	9256	6757	2573	8900	6497	2680	8366	6107	2868	8010	5847	2975	
	22	30	7243	4717	1332	11123	7259	1864	10280	6705	2213	10235	6692	2600	9879	6432	2707	8900	6237	2975	8277	6107	3136	
	24	32	7740	4717	1352	11882	7259	1888	10955	6705	2238	10947	6692	2600	10502	6432	2734	9256	6367	3055	8455	6302	3243	

		INDOOR		OUTDOOR TEMPERATURE (°CDB)																				
		EWB	EDB	-10			21			27			32			35			40			43		
		°C	°C	TC	SHC	PI	TC	SHC	PI	TC	SHC	PI	TC	SHC	PI	TC	SHC	PI	TC	SHC	PI	TC	SHC	PI
(1.8+2.5) + (1.8+5.0)	12	18	6357	4361	1368	8544	6901	1927	7908	6370	2271	7872	6377	2650	7584	6097	2765	7104	5747	2966	6816	5466	3082	
	14	20	6357	4361	1368	9180	6901	1927	8544	6436	2298	8448	6377	2678	8160	6167	2794	7584	5747	2995	7296	5536	3139	
	16	22	6357	4641	1389	9817	6901	1953	9089	6436	2325	9024	6377	2707	8736	6167	2851	8160	5747	3053	7872	5536	3168	
	18	25	6817	4976	1410	10453	7498	1978	9635	6967	2352	9600	6938	2736	9216	6658	2851	8640	6237	3082	8256	5957	3197	
	19	27	7047	5144	1432	10816	7896	2003	9998	7299	2378	9984	7288	2765	9600	7008	2880	9024	6588	3082	8640	6307	3197	
	22	30	7813	5088	1432	11998	7830	2003	11089	7232	2378	11040	7218	2794	10656	6938	2909	9600	6728	3197	8928	6588	3370	
	24	32	8349	5088	1453	12816	7830	2029	11816	7232	2405	11808	7218	2794	11328	6938	2938	9984	6868	3283	9120	6798	3485	
(1.8+3.5) + (1.8+3.5)	12	18	7020	4816	1520	9434	7619	2141	8731	7033	2524	8692	7042	2944	8374	6732	3072	7844	6345	3296	7526	6036	3424	
	14	20	7020	4816	1520	10137	7619	2141	9434	7107	2554	9328	7042	2976	9010	6809	3104	8374	6345	3328	8056	6113	3488	
	16	22	7020	5124	1543	10839	7619	2170	10036	7107	2583	9964	7042	3008	9646	6809	3168	9010	6345	3392	8692	6113	3520	
	18	25	7527	5495	1567	11542	8279	2198	10638	7693	2613	10600	7661	3040	10176	7351	3168	9540	6887	3424	9116	6577	3552	
	19	27	7781	5680	1591	11943	8718	2226	11040	8059	2643	11024	8048	3072	10600	7738	3200	9964	7274	3424	9540	6964	3552	
	22	30	8627	5618	1591	13248	8645	2226	12244	7986	2643	12190	7970	3104	11766	7661	3232	10600	7428	3552	9858	7274	3744	
	24	32	9219	5618	1615	14151	8645	2254	13047	7986	2672	13038	7970	3104	12508	7661	3264	11024	7583	3648	10070	7506	3872	
(1.8+3.5) + (1.8+5.0)	12	18	7020	4816	1520	9434	7619	2141	8731	7033	2524	8692	7042	2944	8374	6732	3072	7844	6345	3296	7526	6036	3424	
	14	20	7020	4816	1520	10137	7619	2141	9434	7107	2554	9328	7042	2976	9010	6809	3104	8374	6345	3328	8056	6113	3488	
	16	22	7020	5124	1543	10839	7619	2170	10036	7107	2583	9964	7042	3008	9646	6809	3168	9010	6345	3392	8692	6113	3520	
	18	25	7527	5495	1567	11542	8279	2198	10638	7693	2613	10600	7661	3040	10176	7351	3168	9540	6887	3424	9116	6577	3552	
	19	27	7781	5680	1591	11943	8718	2226	11040	8059	2643	11024	8048	3072	10600	7738	3200	9964	7274	3424	9540	6964	3552	
	22	30	8627	5618	1591	13248	8645	2226	12244	7986	2643	12190	7970	3104	11766	7661	3232	10600	7428	3552	9858	7274	3744	
	24	32	9219	5618	1615	14151	8645	2254	13047	7986	2672	13038	7970	3104	12508	7661	3264	11024	7583	3648	10070	7506	3872	
(1.8+5.0) + (1.8+5.0)	12	18	7020	4816	1520	9434	7619	2141	8731	7033	2524	8692	7042	2944	8374	6732	3072	7844	6345	3296	7526	6036	3424	
	14	20	7020	4816	1520	10137	7619	2141	9434	7107	2554	9328	7042	2976	9010	6809	3104	8374	6345	3328	8056	6113	3488	
	16	22	7020	5124	1543	10839	7619	2170	10036	7107	2583	9964	7042	3008	9646	6809	3168	9010	6345	3392	8692	6113	3520	
	18	25	7527	5495	1567	11542	8279	2198	10638	7693	2613	10600	7661	3040	10176	7351	3168	9540	6887	3424	9116	6577	3552	
	19	27	7781	5680	1591	11943	8718	2226	11040	8059	2643	11024	8048	3072	10600	7738	3200	9964	7274	3424	9540	6964	3552	
	22	30	8627	5618	1591	13248	8645	2226	12244	7986	2643	12190	7970	3104	11766	7661	3232	10600	7428	3552	9858	7274	3744	
	24	32	9219	5618	1615	14151	8645	2254	13047	7986	2672	13038	7970	3104	12508	7661	3264	11024	7583	3648	10070	7506	3872	
(1.8+2.5) + (2.5+2.5)	12	18	6159	4225	1306	8277	6685	1840	7661	6171	2169	7626	6178	2530	7347	5906	2640	6882	5567	2833	6603	5295	2943	
	14	20	6159	4225	1306	8893	6685	1840	8277	6235	2194	8184	6178	2558	7905	5974	2668	7347	5567	2860	7068	5363	2998	
	16	22	6159	4496	1326	9510	6685	1865	8805	6235	2220	8742	6178	2585	8463	5974	2723	7905	5567	2915	7626	5363	3025	
	18	25	6604	4821	1347	10126	7264	1889	9334	6749	2245	9300	6721	2613	8928	6450	2723	8370	6042	2943	7998	5771	3053	
	19	27	6827	4983	1367	10478	7649	1913	9686	7071	2271	9672	7061	2640	9300	6789	2750	8742	6382	2943	8370	6110	3053	
	22	30	7569	4929	1367	11623	7585	1913	10742	7006	2271	10695	6993	2668	10323	6721	2778	9300	6517	3053	8649	6382	3218	
	24	32	8088	4929	1388	12416	7585	1937	11447	7006	2296	11439	6993	2668	10974	6721	2805	9672	6653	3135	8835	6585	3328	
(1.8+5.0) + (2.5+2.5)	12	18	6821	4679	1458	9167	7404	2054	8484	6834	2421	8446	6842	2824	8137	6542	2947	7622	6166	3162	7313	5865	3285	
	14	20	6821	4679	1458	9850	7404	2054	9167	6905	2450	9064	6842	2855	8755	6617	2978	8137	6166	3193	7828	5940	3346	
	16	22	6821	4979	1481	10532	7404	2081	9752	6905	2478	9682	6842	2886	9373	6617	3039	8755	6166	3254	8446	5940	3377	
	18	25	7314	5339	1503	11215	8045	2109	10337	7475	2507	10300	7444	2917	9888	7143	3039	9270	6692	3285	8858	6391	3408	
	19	27	7561	5519	1526	11605	8472	2136	10727	7831	2535	10712	7820	2947	10300	7519	3070	9682	7068	3285	9270	6767	3408	
	22	30	8382	5459	1526	12873	8400	2136	11898	7760	2535	11845	7745	2978	11433	7444	3101	10300	7218	3408	9579	7068	3592	
	24	32	8958	5459	1549	13751	8400	2163	12678	7760	2564	12669	7745	2978	12154	7444	3131	10712	7369	3500	9785	7293	3715	

		INDOOR		OUTDOOR TEMPERATURE (°CDB)																				
		EWB	EDB	-10			21			27			32			35			40			43		
		°C	°C	TC	SHC	PI	TC	SHC	PI	TC	SHC	PI	TC	SHC	PI	TC	SHC	PI	TC	SHC	PI	TC	SHC	PI
(1.8+3.5) + (2.5+2.5)	12	18	6821	4679	1458	9167	7404	2054	8484	6834	2421	8446	6842	2824	8137	6542	2947	7622	6166	3162	7313	5865	3285	
	14	20	6821	4679	1458	9850	7404	2054	9167	6905	2450	9064	6842	2855	8755	6617	2978	8137	6166	3193	7828	5940	3346	
	16	22	6821	4979	1481	10532	7404	2081	9752	6905	2478	9682	6842	2886	9373	6617	3039	8755	6166	3254	8446	5940	3377	
	18	25	7314	5339	1503	11215	8045	2109	10337	7475	2507	10300	7444	2917	9888	7143	3039	9270	6692	3285	8858	6391	3408	
	19	27	7561	5519	1526	11605	8472	2136	10727	7831	2535	10712	7820	2947	10300	7519	3070	9682	7068	3285	9270	6767	3408	
	22	30	8382	5459	1526	12873	8400	2136	11898	7760	2535	11845	7745	2978	11433	7444	3101	10300	7218	3408	9579	7068	3592	
	24	32	8958	5459	1549	13751	8400	2163	12678	7760	2564	12669	7745	2978	12154	7444	3131	10712	7369	3500	9785	7293	3715	
(1.8+3.5) + (2.5+3.5)	12	18	7020	4816	1520	9434	7619	2141	8731	7033	2524	8692	7042	2944	8374	6732	3072	7844	6345	3296	7526	6036	3424	
	14	20	7020	4816	1520	10137	7619	2141	9434	7107	2554	9328	7042	2976	9010	6809	3104	8374	6345	3328	8056	6113	3488	
	16	22	7020	5124	1543	10839	7619	2170	10036	7107	2583	9964	7042	3008	9646	6809	3168	9010	6345	3392	8692	6113	3520	
	18	25	7527	5495	1567	11542	8279	2198	10638	7693	2613	10600	7661	3040	10176	7351	3168	9540	6887	3424	9116	6577	3552	
	19	27	7781	5680	1591	11943	8718	2226	11040	8059	2643	11024	8048	3072	10600	7738	3200	9964	7274	3424	9540	6964	3552	
	22	30	8627	5618	1591	13248	8645	2226	12244	7986	2643	12190	7970	3104	11766	7661	3232	10600	7428	3552	9858	7274	3744	
	24	32	9219	5618	1615	14151	8645	2254	13047	7986	2672	13038	7970	3104	12508	7661	3264	11024	7583	3648	10070	7506	3872	
(1.8+5.0) + (2.5+3.5)	12	18	7020	4816	1520	9434	7619	2141	8731	7033	2524	8692	7042	2944	8374	6732	3072	7844	6345	3296	7526	6036	3424	
	14	20	7020	4816	1520	10137	7619	2141	9434	7107	2554	9328	7042	2976	9010	6809	3104	8374	6345	3328	8056	6113	3488	
	16	22	7020	5124	1543	10839	7619	2170	10036	7107	2583	9964	7042	3008	9646	6809	3168	9010	6345	3392	8692	6113	3520	
	18	25	7527	5495	1567	11542	8279	2198	10638	7693	2613	10600	7661	3040	10176	7351	3168	9540	6887	3424	9116	6577	3552	
	19	27	7781	5680	1591	11943	8718	2226	11040	8059	2643	11024	8048	3072	10600	7738	3200	9964	7274	3424	9540	6964	3552	
	22	30	8627	5618	1591	13248	8645	2226	12244	7986	2643	12190	7970	3104	11766	7661	3232	10600	7428	3552	9858	7274	3744	
	24	32	9219	5618	1615	14151	8645	2254	13047	7986	2672	13038	7970	3104	12508	7661	3264	11024	7583	3648	10070	7506	3872	
(1.8+5.0) + (2.5+5.0)	12	18	7020	4816	1520	9434	7619	2141	8731	7033	2524	8692	7042	2944	8374	6732	3072	7844	6345	3296	7526	6036	3424	
	14	20	7020	4816	1520	10137	7619	2141	9434	7107	2554	9328	7042	2976	9010	6809	3104	8374	6345	3328	8056	6113	3488	
	16	22	7020	5124	1543	10839	7619	2170	10036	7107	2583	9964	7042	3008	9646	6809	3168	9010	6345	3392	8692	6113	3520	
	18	25	7527	5495	1567	11542	8279	2198	10638	7693	2613	10600	7661	3040	10176	7351	3168	9540	6887	3424	9116	6577	3552	
	19	27	7781	5680	1591	11943	8718	2226	11040	8059	2643	11024	8048	3072	10600	7738	3200	9964	7274	3424	9540	6964	3552	
	22	30	8627	5618	1591	13248	8645	2226	12244	7986	2643	12190	7970	3104	11766	7661	3232	10600	7428	3552	9858	7274	3744	
	24	32	9219	5618	1615	14151	8645	2254	13047	7986	2672	13038	7970	3104	12508	7661	3264	11024	7583	3648	10070	7506	3872	
(1.8+3.5) + (3.5+3.5)	12	18	7020	4816	1520	9434	7619	2141	8731	7033	2524	8692	7042	2944	8374	6732	3072	7844	6345	3296	7526	6036	3424	
	14	20	7020	4816	1520	10137	7619	2141	9434	7107	2554	9328	7042	2976	9010	6809	3104	8374	6345	3328	8056	6113	3488	
	16	22	7020	5124	1543	10839	7619	2170	10036	7107	2583	9964	7042	3008	9646	6809	3168	9010	6345	3392	8692	6113	3520	
	18	25	7527	5495	1567	11542	8279	2198	10638	7693	2613	10600	7661	3040	10176	7351	3168	9540	6887	3424	9116	6577	3552	
	19	27	7781	5680	1591	11943	8718	2226	11040	8059	2643	11024	8048	3072	10600	7738	3200	9964	7274	3424	9540	6964	3552	
	22	30	8627	5618	1591	13248	8645	2226	12244	7986	2643	12190	7970	3104	11766	7661	3232	10600	7428	3552	9858	7274	3744	
	24	32	9219	5618	1615	14151	8645	2254	13047	7986	2672	13038	7970	3104	12508	7661	3264	11024	7583	3648	10070	7506	3872	
(1.8+5.0) + (3.5+3.5)	12	18	7020	4816	1520	9434	7619	2141	8731	7033	2524	8692	7042	2944	8374	6732	3072	7844	6345	3296	7526	6036	3424	
	14	20	7020	4816	1520	10137	7619	2141	9434	7107	2554	9328	7042	2976	9010	6809	3104	8374	6345	3328	8056	6113	3488	
	16	22	7020	5124	1543	10839	7619	2170	10036	7107	2583	9964	7042	3008	9646	6809	3168	9010	6345	3392	8692	6113	3520	
	18	25	7527	5495	1567	11542	8279	2198	10638	7693	2613	10600	7661	3040	10176	7351	3168	9540	6887	3424	9116	6577	3552	
	19	27	7781	5680	1591	11943	8718	2226	11040	8059	2643	11024	8048	3072	10600	7738	3200	9964	7274	3424	9540	6964	3552	
	22	30	8627	5618	1591	13248	8645	2226	12244	7986	2643	12190	7970	3104	11766	7661	3232	10600	7428	3552	9858	7274	3744	
	24	32	9219	5618	1615	14151	8645	2254	13047	7986	2672	13038	7970	3104	12508	7661	3264	11024	7583	3648	10070	7506	3872	

INDOOR		OUTDOOR TEMPERATURE (°CDB)																					
EWB	EDB	-10			21			27			32			35			40			43			
°C	°C	TC	SHC	PI	TC	SHC	PI	TC	SHC	PI	TC	SHC	PI	TC	SHC	PI	TC	SHC	PI	TC	SHC	PI	
(1.8+5.0) + (3.5+5.0)	12	18	7020	4816	1520	9434	7619	2141	8731	7033	2524	8692	7042	2944	8374	6732	3072	7844	6345	3296	7526	6036	3424
	14	20	7020	4816	1520	10137	7619	2141	9434	7107	2554	9328	7042	2976	9010	6809	3104	8374	6345	3328	8056	6113	3488
	16	22	7020	5124	1543	10839	7619	2170	10036	7107	2583	9964	7042	3008	9646	6809	3168	9010	6345	3392	8692	6113	3520
	18	25	7527	5495	1567	11542	8279	2198	10638	7693	2613	10600	7661	3040	10176	7351	3168	9540	6887	3424	9116	6577	3552
	19	27	7781	5680	1591	11943	8718	2226	11040	8059	2643	11024	8048	3072	10600	7738	3200	9964	7274	3424	9540	6964	3552
	22	30	8627	5618	1591	13248	8645	2226	12244	7986	2643	12190	7970	3104	11766	7661	3232	10600	7428	3552	9858	7274	3744
	24	32	9219	5618	1615	14151	8645	2254	13047	7986	2672	13038	7970	3104	12508	7661	3264	11024	7583	3648	10070	7506	3872
(2.5+2.5) + (2.5+2.5)	12	18	6622	4543	1396	8900	7188	1967	8237	6635	2319	8200	6643	2705	7900	6351	2822	7400	5986	3028	7100	5694	3146
	14	20	6622	4543	1396	9563	7188	1967	8900	6704	2346	8800	6643	2734	8500	6424	2852	7900	5986	3058	7600	5767	3205
	16	22	6622	4834	1418	10226	7188	1993	9468	6704	2373	9400	6643	2764	9100	6424	2911	8500	5986	3116	8200	5767	3234
	18	25	7101	5184	1440	10888	7810	2019	10036	7257	2401	10000	7227	2793	9600	6935	2911	9000	6497	3146	8600	6205	3263
	19	27	7340	5359	1462	11267	8225	2045	10415	7603	2428	10400	7592	2822	10000	7300	2940	9400	6862	3146	9000	6570	3263
	22	30	8138	5300	1462	12498	8156	2045	11551	7534	2428	11500	7519	2852	11100	7227	2969	10000	7008	3263	9300	6862	3440
	24	32	8697	5300	1483	13350	8156	2071	12309	7534	2455	12300	7519	2852	11800	7227	2999	10400	7154	3352	9500	7081	3557
(2.5+2.5) + (2.5+3.5)	12	18	6821	4679	1458	9167	7404	2054	8484	6834	2421	8446	6842	2824	8137	6542	2947	7622	6166	3162	7313	5865	3285
	14	20	6821	4679	1458	9850	7404	2054	9167	6905	2450	9064	6842	2855	8755	6617	2978	8137	6166	3193	7828	5940	3346
	16	22	6821	4979	1481	10532	7404	2081	9752	6905	2478	9682	6842	2886	9373	6617	3039	8755	6166	3254	8446	5940	3377
	18	25	7314	5339	1503	11215	8045	2109	10337	7475	2507	10300	7444	2917	9888	7143	3039	9270	6692	3285	8858	6391	3408
	19	27	7561	5519	1526	11605	8472	2136	10727	7831	2535	10712	7820	2947	10300	7519	3070	9682	7068	3285	9270	6767	3408
	22	30	8382	5459	1526	12873	8400	2136	11898	7760	2535	11845	7745	2978	11433	7444	3101	10300	7218	3408	9579	7068	3592
	24	32	8958	5459	1549	13751	8400	2163	12678	7760	2564	12669	7745	2978	12154	7444	3131	10712	7369	3500	9785	7293	3715
(2.5+2.5) + (2.5+5.0)	12	18	6821	4679	1458	9167	7404	2054	8484	6834	2421	8446	6842	2824	8137	6542	2947	7622	6166	3162	7313	5865	3285
	14	20	6821	4679	1458	9850	7404	2054	9167	6905	2450	9064	6842	2855	8755	6617	2978	8137	6166	3193	7828	5940	3346
	16	22	6821	4979	1481	10532	7404	2081	9752	6905	2478	9682	6842	2886	9373	6617	3039	8755	6166	3254	8446	5940	3377
	18	25	7314	5339	1503	11215	8045	2109	10337	7475	2507	10300	7444	2917	9888	7143	3039	9270	6692	3285	8858	6391	3408
	19	27	7561	5519	1526	11605	8472	2136	10727	7831	2535	10712	7820	2947	10300	7519	3070	9682	7068	3285	9270	6767	3408
	22	30	8382	5459	1526	12873	8400	2136	11898	7760	2535	11845	7745	2978	11433	7444	3101	10300	7218	3408	9579	7068	3592
	24	32	8958	5459	1549	13751	8400	2163	12678	7760	2564	12669	7745	2978	12154	7444	3131	10712	7369	3500	9785	7293	3715
(2.5+3.5) + (2.5+3.5)	12	18	7020	4816	1520	9434	7619	2141	8731	7033	2524	8692	7042	2944	8374	6732	3072	7844	6345	3296	7526	6036	3424
	14	20	7020	4816	1520	10137	7619	2141	9434	7107	2554	9328	7042	2976	9010	6809	3104	8374	6345	3328	8056	6113	3488
	16	22	7020	5124	1543	10839	7619	2170	10036	7107	2583	9964	7042	3008	9646	6809	3168	9010	6345	3392	8692	6113	3520
	18	25	7527	5495	1567	11542	8279	2198	10638	7693	2613	10600	7661	3040	10176	7351	3168	9540	6887	3424	9116	6577	3552
	19	27	7781	5680	1591	11943	8718	2226	11040	8059	2643	11024	8048	3072	10600	7738	3200	9964	7274	3424	9540	6964	3552
	22	30	8627	5618	1591	13248	8645	2226	12244	7986	2643	12190	7970	3104	11766	7661	3232	10600	7428	3552	9858	7274	3744
	24	32	9219	5618	1615	14151	8645	2254	13047	7986	2672	13038	7970	3104	12508	7661	3264	11024	7583	3648	10070	7506	3872
(2.5+5.0) + (2.5+3.5)	12	18	7020	4816	1520	9434	7619	2141	8731	7033	2524	8692	7042	2944	8374	6732	3072	7844	6345	3296	7526	6036	3424
	14	20	7020	4816	1520	10137	7619	2141	9434	7107	2554	9328	7042	2976	9010	6809	3104	8374	6345	3328	8056	6113	3488
	16	22	7020	5124	1543	10839	7619	2170	10036	7107	2583	9964	7042	3008	9646	6809	3168	9010	6345	3392	8692	6113	3520
	18	25	7527	5495	1567	11542	8279	2198	10638	7693	2613	10600	7661	3040	10176	7351	3168	9540	6887	3424	9116	6577	3552
	19	27	7781	5680	1591	11943	8718	2226	11040	8059	2643	11024	8048	3072	10600	7738	3200	9964	7274	3424	9540	6964	3552
	22	30	8627	5618	1591	13248	8645	2226	12244	7986	2643	12190	7970	3104	11766	7661	3232	10600	7428	3552	9858	7274	3744
	24	32	9219	5618	1615	14151	8645	2254	13047	7986	2672	13038	7970	3104	12508	7661	3264	11024	7583	3648	10070	7506	3872

		INDOOR		OUTDOOR TEMPERATURE (°CDB)																				
		EWB	EDB	-10			21			27			32			35			40			43		
		°C	°C	TC	SHC	PI	TC	SHC	PI	TC	SHC	PI	TC	SHC	PI	TC	SHC	PI	TC	SHC	PI	TC	SHC	PI
(2.5+5.0) + (2.5+5.0)	12	18	7020	4816	1520	9434	7619	2141	8731	7033	2524	8692	7042	2944	8374	6732	3072	7844	6345	3296	7526	6036	3424	
	14	20	7020	4816	1520	10137	7619	2141	9434	7107	2554	9328	7042	2976	9010	6809	3104	8374	6345	3328	8056	6113	3488	
	16	22	7020	5124	1543	10839	7619	2170	10036	7107	2583	9964	7042	3008	9646	6809	3168	9010	6345	3392	8692	6113	3520	
	18	25	7527	5495	1567	11542	8279	2198	10638	7693	2613	10600	7661	3040	10176	7351	3168	9540	6887	3424	9116	6577	3552	
	19	27	7781	5680	1591	11943	8718	2226	11040	8059	2643	11024	8048	3072	10600	7738	3200	9964	7274	3424	9540	6964	3552	
	22	30	8627	5618	1591	13248	8645	2226	12244	7986	2643	12190	7970	3104	11766	7661	3232	10600	7428	3552	9858	7274	3744	
	24	32	9219	5618	1615	14151	8645	2254	13047	7986	2672	13038	7970	3104	12508	7661	3264	11024	7583	3648	10070	7506	3872	
(2.5+3.5) + (3.5+3.5)	12	18	7020	4816	1520	9434	7619	2141	8731	7033	2524	8692	7042	2944	8374	6732	3072	7844	6345	3296	7526	6036	3424	
	14	20	7020	4816	1520	10137	7619	2141	9434	7107	2554	9328	7042	2976	9010	6809	3104	8374	6345	3328	8056	6113	3488	
	16	22	7020	5124	1543	10839	7619	2170	10036	7107	2583	9964	7042	3008	9646	6809	3168	9010	6345	3392	8692	6113	3520	
	18	25	7527	5495	1567	11542	8279	2198	10638	7693	2613	10600	7661	3040	10176	7351	3168	9540	6887	3424	9116	6577	3552	
	19	27	7781	5680	1591	11943	8718	2226	11040	8059	2643	11024	8048	3072	10600	7738	3200	9964	7274	3424	9540	6964	3552	
	22	30	8627	5618	1591	13248	8645	2226	12244	7986	2643	12190	7970	3104	11766	7661	3232	10600	7428	3552	9858	7274	3744	
	24	32	9219	5618	1615	14151	8645	2254	13047	7986	2672	13038	7970	3104	12508	7661	3264	11024	7583	3648	10070	7506	3872	
(2.5+5.0) + (3.5+3.5)	12	18	7020	4816	1520	9434	7619	2141	8731	7033	2524	8692	7042	2944	8374	6732	3072	7844	6345	3296	7526	6036	3424	
	14	20	7020	4816	1520	10137	7619	2141	9434	7107	2554	9328	7042	2976	9010	6809	3104	8374	6345	3328	8056	6113	3488	
	16	22	7020	5124	1543	10839	7619	2170	10036	7107	2583	9964	7042	3008	9646	6809	3168	9010	6345	3392	8692	6113	3520	
	18	25	7527	5495	1567	11542	8279	2198	10638	7693	2613	10600	7661	3040	10176	7351	3168	9540	6887	3424	9116	6577	3552	
	19	27	7781	5680	1591	11943	8718	2226	11040	8059	2643	11024	8048	3072	10600	7738	3200	9964	7274	3424	9540	6964	3552	
	22	30	8627	5618	1591	13248	8645	2226	12244	7986	2643	12190	7970	3104	11766	7661	3232	10600	7428	3552	9858	7274	3744	
	24	32	9219	5618	1615	14151	8645	2254	13047	7986	2672	13038	7970	3104	12508	7661	3264	11024	7583	3648	10070	7506	3872	
(3.5+3.5) + (3.5+3.5)	12	18	7020	4816	1520	9434	7619	2141	8731	7033	2524	8692	7042	2944	8374	6732	3072	7844	6345	3296	7526	6036	3424	
	14	20	7020	4816	1520	10137	7619	2141	9434	7107	2554	9328	7042	2976	9010	6809	3104	8374	6345	3328	8056	6113	3488	
	16	22	7020	5124	1543	10839	7619	2170	10036	7107	2583	9964	7042	3008	9646	6809	3168	9010	6345	3392	8692	6113	3520	
	18	25	7527	5495	1567	11542	8279	2198	10638	7693	2613	10600	7661	3040	10176	7351	3168	9540	6887	3424	9116	6577	3552	
	19	27	7781	5680	1591	11943	8718	2226	11040	8059	2643	11024	8048	3072	10600	7738	3200	9964	7274	3424	9540	6964	3552	
	22	30	8627	5618	1591	13248	8645	2226	12244	7986	2643	12190	7970	3104	11766	7661	3232	10600	7428	3552	9858	7274	3744	
	24	32	9219	5618	1615	14151	8645	2254	13047	7986	2672	13038	7970	3104	12508	7661	3264	11024	7583	3648	10070	7506	3872	
(3.5+3.5) + (3.5+5.0)	12	18	7020	4816	1520	9434	7619	2141	8731	7033	2524	8692	7042	2944	8374	6732	3072	7844	6345	3296	7526	6036	3424	
	14	20	7020	4816	1520	10137	7619	2141	9434	7107	2554	9328	7042	2976	9010	6809	3104	8374	6345	3328	8056	6113	3488	
	16	22	7020	5124	1543	10839	7619	2170	10036	7107	2583	9964	7042	3008	9646	6809	3168	9010	6345	3392	8692	6113	3520	
	18	25	7527	5495	1567	11542	8279	2198	10638	7693	2613	10600	7661	3040	10176	7351	3168	9540	6887	3424	9116	6577	3552	
	19	27	7781	5680	1591	11943	8718	2226	11040	8059	2643	11024	8048	3072	10600	7738	3200	9964	7274	3424	9540	6964	3552	
	22	30	8627	5618	1591	13248	8645	2226	12244	7986	2643	12190	7970	3104	11766	7661	3232	10600	7428	3552	9858	7274	3744	
	24	32	9219	5618	1615	14151	8645	2254	13047	7986	2672	13038	7970	3104	12508	7661	3264	11024	7583	3648	10070	7506	3872	
(3.5+5.0) + (3.5+5.0)	12	18	7020	4816	1520	9434	7619	2141	8731	7033	2524	8692	7042	2944	8374	6732	3072	7844	6345	3296	7526	6036	3424	
	14	20	7020	4816	1520	10137	7619	2141	9434	7107	2554	9328	7042	2976	9010	6809	3104	8374	6345	3328	8056	6113	3488	
	16	22	7020	5124	1543	10839	7619	2170	10036	7107	2583	9964	7042	3008	9646	6809	3168	9010	6345	3392	8692	6113	3520	
	18	25	7527	5495	1567	11542	8279	2198	10638	7693	2613	10600	7661	3040	10176	7351	3168	9540	6887	3424	9116	6577	3552	
	19	27	7781	5680	1591	11943	8718	2226	11040	8059	2643	11024	8048	3072	10600	7738	3200	9964	7274	3424	9540	6964	3552	
	22	30	8627	5618	1591	13248	8645	2226	12244	7986	2643	12190	7970	3104	11766	7661	3232	10600	7428	3552	9858	7274	3744	
	24	32	9219	5618	1615	14151	8645	2254	13047	7986	2672	13038	7970	3104	12508	7661	3264	11024	7583	3648	10070	7506	3872	

		INDOOR		OUTDOOR TEMPERATURE (°CDB)																				
		EWB	EDB	-10			21			27			32			35			40			43		
		°C	°C	TC	SHC	PI	TC	SHC	PI	TC	SHC	PI	TC	SHC	PI	TC	SHC	PI	TC	SHC	PI	TC	SHC	PI
(1.5+1.5) + (1.5+1.5+1.5)	12	18	4967	3407	1088	6675	5391	1532	6178	4976	1806	6150	4982	2107	5925	4763	2198	5550	4490	2359	5325	4271	2450	
	14	20	4967	3407	1088	7172	5391	1532	6675	5028	1827	6600	4982	2130	6375	4818	2221	5925	4490	2382	5700	4325	2496	
	16	22	4967	3626	1104	7669	5391	1553	7101	5028	1849	7050	4982	2153	6825	4818	2267	6375	4490	2427	6150	4325	2519	
	18	25	5326	3888	1121	8166	5858	1573	7527	5443	1870	7500	5420	2176	7200	5201	2267	6750	4873	2450	6450	4654	2542	
	19	27	5505	4019	1138	8450	6169	1593	7811	5702	1891	7800	5694	2198	7500	5475	2290	7050	5147	2450	6750	4928	2542	
	22	30	6104	3975	1138	9373	6117	1593	8663	5650	1891	8625	5639	2221	8325	5420	2313	7500	5256	2542	6975	5147	2679	
	24	32	6523	3975	1155	10013	6117	1613	9231	5650	1912	9225	5639	2221	8850	5420	2336	7800	5366	2611	7125	5311	2771	
(1.5+1.5) + (1.5+1.5+1.8)	12	18	5165	3544	1135	6942	5607	1599	6425	5175	1885	6396	5182	2199	6162	4954	2294	5772	4669	2462	5538	4441	2557	
	14	20	5165	3544	1135	7459	5607	1599	6942	5229	1907	6864	5182	2223	6630	5011	2318	6162	4669	2486	5928	4498	2605	
	16	22	5165	3771	1153	7976	5607	1620	7385	5229	1929	7332	5182	2247	7098	5011	2366	6630	4669	2533	6396	4498	2629	
	18	25	5539	4043	1170	8493	6092	1641	7828	5661	1952	7800	5637	2271	7488	5409	2366	7020	5068	2557	6708	4840	2653	
	19	27	5726	4180	1188	8788	6415	1663	8124	5930	1974	8112	5922	2294	7800	5694	2390	7332	5352	2557	7020	5125	2653	
	22	30	6348	4134	1188	9748	6362	1663	9010	5876	1974	8970	5865	2318	8658	5637	2414	7800	5466	2653	7254	5352	2796	
	24	32	6784	4134	1206	10413	6362	1684	9601	5876	1996	9594	5865	2318	9204	5637	2438	8112	5580	2725	7410	5523	2892	
(1.5+1.5) + (1.5+1.5+2.5)	12	18	5497	3771	1197	7387	5966	1686	6837	5507	1988	6806	5514	2318	6557	5271	2419	6142	4968	2596	5893	4726	2696	
	14	20	5497	3771	1197	7937	5966	1686	7387	5565	2011	7304	5514	2344	7055	5332	2444	6557	4968	2621	6308	4787	2747	
	16	22	5497	4012	1215	8487	5966	1709	7859	5565	2034	7802	5514	2369	7553	5332	2495	7055	4968	2671	6806	4787	2772	
	18	25	5894	4303	1234	9037	6482	1731	8330	6024	2058	8300	5998	2394	7968	5756	2495	7470	5393	2696	7138	5150	2797	
	19	27	6093	4448	1253	9352	6827	1753	8644	6310	2081	8632	6301	2419	8300	6059	2520	7802	5695	2696	7470	5453	2797	
	22	30	6755	4399	1253	10373	6769	1753	9587	6253	2081	9545	6241	2444	9213	5998	2545	8300	5817	2797	7719	5695	2948	
	24	32	7218	4399	1272	11081	6769	1775	10216	6253	2104	10209	6241	2444	9794	5998	2570	8632	5938	2873	7885	5877	3049	
(1.5+1.5) + (1.5+1.5+3.5)	12	18	5497	3771	1197	7387	5966	1686	6837	5507	1988	6806	5514	2318	6557	5271	2419	6142	4968	2596	5893	4726	2696	
	14	20	5497	3771	1197	7937	5966	1686	7387	5565	2011	7304	5514	2344	7055	5332	2444	6557	4968	2621	6308	4787	2747	
	16	22	5497	4012	1215	8487	5966	1709	7859	5565	2034	7802	5514	2369	7553	5332	2495	7055	4968	2671	6806	4787	2772	
	18	25	5894	4303	1234	9037	6482	1731	8330	6024	2058	8300	5998	2394	7968	5756	2495	7470	5393	2696	7138	5150	2797	
	19	27	6093	4448	1253	9352	6827	1753	8644	6310	2081	8632	6301	2419	8300	6059	2520	7802	5695	2696	7470	5453	2797	
	22	30	6755	4399	1253	10373	6769	1753	9587	6253	2081	9545	6241	2444	9213	5998	2545	8300	5817	2797	7719	5695	2948	
	24	32	7218	4399	1272	11081	6769	1775	10216	6253	2104	10209	6241	2444	9794	5998	2570	8632	5938	2873	7885	5877	3049	
(1.5+1.5) + (1.5+1.5+5.0)	12	18	5497	3771	1197	7387	5966	1686	6837	5507	1988	6806	5514	2318	6557	5271	2419	6142	4968	2596	5893	4726	2696	
	14	20	5497	3771	1197	7937	5966	1686	7387	5565	2011	7304	5514	2344	7055	5332	2444	6557	4968	2621	6308	4787	2747	
	16	22	5497	4012	1215	8487	5966	1709	7859	5565	2034	7802	5514	2369	7553	5332	2495	7055	4968	2671	6806	4787	2772	
	18	25	5894	4303	1234	9037	6482	1731	8330	6024	2058	8300	5998	2394	7968	5756	2495	7470	5393	2696	7138	5150	2797	
	19	27	6093	4448	1253	9352	6827	1753	8644	6310	2081	8632	6301	2419	8300	6059	2520	7802	5695	2696	7470	5453	2797	
	22	30	6755	4399	1253	10373	6769	1753	9587	6253	2081	9545	6241	2444	9213	5998	2545	8300	5817	2797	7719	5695	2948	
	24	32	7218	4399	1272	11081	6769	1775	10216	6253	2104	10209	6241	2444	9794	5998	2570	8632	5938	2873	7885	5877	3049	
(1.5+1.5) + (1.5+1.8+1.8)	12	18	5364	3680	1173	7209	5822	1653	6672	5375	1948	6642	5381	2272	6399	5144	2371	5994	4849	2544	5751	4612	2643	
	14	20	5364	3680	1173	7746	5822	1653	7209	5431	1971	7128	5381	2297	6885	5203	2396	6399	4849	2569	6156	4671	2692	
	16	22	5364	3916	1191	8283	5822	1675	7669	5431	1994	7614	5381	2322	7371	5203	2445	6885	4849	2618	6642	4671	2717	
	18	25	5752	4199	1210	8820	6326	1696	8129	5878	2017	8100	5854	2347	7776	5617	2445	7290	5263	2643	6966	5026	2742	
	19	27	5946	4340	1228	9126	6662	1718	8436	6158	2040	8424	6150	2371	8100	5913	2470	7614	5558	2643	7290	5322	2742	
	22	30	6592	4293	1228	10123	6606	1718	9356	6102	2040	9315	6090	2396	8991	5854	2495	8100	5676	2742	7533	5558	2890	
	24	32	7044	4293	1246	10814	6606	1740	9970	6102	2063	9963	6090	2396	9558	5854	2519	8424	5795	2816	7695	5736	2989	



		INDOOR		OUTDOOR TEMPERATURE (°CDB)																				
		EWB	EDB	-10			21			27			32			35			40			43		
		°C	°C	TC	SHC	PI	TC	SHC	PI	TC	SHC	PI	TC	SHC	PI	TC	SHC	PI	TC	SHC	PI	TC	SHC	PI
(1.5+1.5) + (1.5+1.8+2.5)	12	18	5497	3771	1197	7387	5966	1686	6837	5507	1988	6806	5514	2318	6557	5271	2419	6142	4968	2596	5893	4726	2696	
	14	20	5497	3771	1197	7937	5966	1686	7387	5565	2011	7304	5514	2344	7055	5332	2444	6557	4968	2621	6308	4787	2747	
	16	22	5497	4012	1215	8487	5966	1709	7859	5565	2034	7802	5514	2369	7553	5332	2495	7055	4968	2671	6806	4787	2772	
	18	25	5894	4303	1234	9037	6482	1731	8330	6024	2058	8300	5998	2394	7968	5756	2495	7470	5393	2696	7138	5150	2797	
	19	27	6093	4448	1253	9352	6827	1753	8644	6310	2081	8632	6301	2419	8300	6059	2520	7802	5695	2696	7470	5453	2797	
	22	30	6755	4399	1253	10373	6769	1753	9587	6253	2081	9545	6241	2444	9213	5998	2545	8300	5817	2797	7719	5695	2948	
	24	32	7218	4399	1272	11081	6769	1775	10216	6253	2104	10209	6241	2444	9794	5998	2570	8632	5938	2873	7885	5877	3049	
(1.5+1.5) + (1.5+1.8+3.5)	12	18	5497	3771	1197	7387	5966	1686	6837	5507	1988	6806	5514	2318	6557	5271	2419	6142	4968	2596	5893	4726	2696	
	14	20	5497	3771	1197	7937	5966	1686	7387	5565	2011	7304	5514	2344	7055	5332	2444	6557	4968	2621	6308	4787	2747	
	16	22	5497	4012	1215	8487	5966	1709	7859	5565	2034	7802	5514	2369	7553	5332	2495	7055	4968	2671	6806	4787	2772	
	18	25	5894	4303	1234	9037	6482	1731	8330	6024	2058	8300	5998	2394	7968	5756	2495	7470	5393	2696	7138	5150	2797	
	19	27	6093	4448	1253	9352	6827	1753	8644	6310	2081	8632	6301	2419	8300	6059	2520	7802	5695	2696	7470	5453	2797	
	22	30	6755	4399	1253	10373	6769	1753	9587	6253	2081	9545	6241	2444	9213	5998	2545	8300	5817	2797	7719	5695	2948	
	24	32	7218	4399	1272	11081	6769	1775	10216	6253	2104	10209	6241	2444	9794	5998	2570	8632	5938	2873	7885	5877	3049	
(1.5+1.5) + (1.5+1.8+5.0)	12	18	5497	3771	1197	7387	5966	1686	6837	5507	1988	6806	5514	2318	6557	5271	2419	6142	4968	2596	5893	4726	2696	
	14	20	5497	3771	1197	7937	5966	1686	7387	5565	2011	7304	5514	2344	7055	5332	2444	6557	4968	2621	6308	4787	2747	
	16	22	5497	4012	1215	8487	5966	1709	7859	5565	2034	7802	5514	2369	7553	5332	2495	7055	4968	2671	6806	4787	2772	
	18	25	5894	4303	1234	9037	6482	1731	8330	6024	2058	8300	5998	2394	7968	5756	2495	7470	5393	2696	7138	5150	2797	
	19	27	6093	4448	1253	9352	6827	1753	8644	6310	2081	8632	6301	2419	8300	6059	2520	7802	5695	2696	7470	5453	2797	
	22	30	6755	4399	1253	10373	6769	1753	9587	6253	2081	9545	6241	2444	9213	5998	2545	8300	5817	2797	7719	5695	2948	
	24	32	7218	4399	1272	11081	6769	1775	10216	6253	2104	10209	6241	2444	9794	5998	2570	8632	5938	2873	7885	5877	3049	
(1.5+1.5) + (1.5+2.5+2.5)	12	18	5497	3771	1197	7387	5966	1686	6837	5507	1988	6806	5514	2318	6557	5271	2419	6142	4968	2596	5893	4726	2696	
	14	20	5497	3771	1197	7937	5966	1686	7387	5565	2011	7304	5514	2344	7055	5332	2444	6557	4968	2621	6308	4787	2747	
	16	22	5497	4012	1215	8487	5966	1709	7859	5565	2034	7802	5514	2369	7553	5332	2495	7055	4968	2671	6806	4787	2772	
	18	25	5894	4303	1234	9037	6482	1731	8330	6024	2058	8300	5998	2394	7968	5756	2495	7470	5393	2696	7138	5150	2797	
	19	27	6093	4448	1253	9352	6827	1753	8644	6310	2081	8632	6301	2419	8300	6059	2520	7802	5695	2696	7470	5453	2797	
	22	30	6755	4399	1253	10373	6769	1753	9587	6253	2081	9545	6241	2444	9213	5998	2545	8300	5817	2797	7719	5695	2948	
	24	32	7218	4399	1272	11081	6769	1775	10216	6253	2104	10209	6241	2444	9794	5998	2570	8632	5938	2873	7885	5877	3049	
(1.5+1.5) + (1.5+2.5+3.5)	12	18	5497	3771	1197	7387	5966	1686	6837	5507	1988	6806	5514	2318	6557	5271	2419	6142	4968	2596	5893	4726	2696	
	14	20	5497	3771	1197	7937	5966	1686	7387	5565	2011	7304	5514	2344	7055	5332	2444	6557	4968	2621	6308	4787	2747	
	16	22	5497	4012	1215	8487	5966	1709	7859	5565	2034	7802	5514	2369	7553	5332	2495	7055	4968	2671	6806	4787	2772	
	18	25	5894	4303	1234	9037	6482	1731	8330	6024	2058	8300	5998	2394	7968	5756	2495	7470	5393	2696	7138	5150	2797	
	19	27	6093	4448	1253	9352	6827	1753	8644	6310	2081	8632	6301	2419	8300	6059	2520	7802	5695	2696	7470	5453	2797	
	22	30	6755	4399	1253	10373	6769	1753	9587	6253	2081	9545	6241	2444	9213	5998	2545	8300	5817	2797	7719	5695	2948	
	24	32	7218	4399	1272	11081	6769	1775	10216	6253	2104	10209	6241	2444	9794	5998	2570	8632	5938	2873	7885	5877	3049	
(1.5+1.5) + (1.5+3.5+3.5)	12	18	5497	3771	1197	7387	5966	1686	6837	5507	1988	6806	5514	2318	6557	5271	2419	6142	4968	2596	5893	4726	2696	
	14	20	5497	3771	1197	7937	5966	1686	7387	5565	2011	7304	5514	2344	7055	5332	2444	6557	4968	2621	6308	4787	2747	
	16	22	5497	4012	1215	8487	5966	1709	7859	5565	2034	7802	5514	2369	7553	5332	2495	7055	4968	2671	6806	4787	2772	
	18	25	5894	4303	1234	9037	6482	1731	8330	6024	2058	8300	5998	2394	7968	5756	2495	7470	5393	2696	7138	5150	2797	
	19	27	6093	4448	1253	9352	6827	1753	8644	6310	2081	8632	6301	2419	8300	6059	2520	7802	5695	2696	7470	5453	2797	
	22	30	6755	4399	1253	10373	6769	1753	9587	6253	2081	9545	6241	2444	9213	5998	2545	8300	5817	2797	7719	5695	2948	
	24	32	7218	4399	1272	11081	6769	1775	10216	6253	2104	10209	6241	2444	9794	5998	2570	8632	5938	2873	7885	5877	3049	

		INDOOR		OUTDOOR TEMPERATURE (°CDB)																				
		EWB	EDB	-10			21			27			32			35			40			43		
		°C	°C	TC	SHC	PI	TC	SHC	PI	TC	SHC	PI	TC	SHC	PI	TC	SHC	PI	TC	SHC	PI	TC	SHC	PI
(1.5+1.5) + (1.8+1.8+1.8)	12	18	5497	3771	1197	7387	5966	1686	6837	5507	1988	6806	5514	2318	6557	5271	2419	6142	4968	2596	5893	4726	2696	
	14	20	5497	3771	1197	7937	5966	1686	7387	5565	2011	7304	5514	2344	7055	5332	2444	6557	4968	2621	6308	4787	2747	
	16	22	5497	4012	1215	8487	5966	1709	7859	5565	2034	7802	5514	2369	7553	5332	2495	7055	4968	2671	6806	4787	2772	
	18	25	5894	4303	1234	9037	6482	1731	8330	6024	2058	8300	5998	2394	7968	5756	2495	7470	5393	2696	7138	5150	2797	
	19	27	6093	4448	1253	9352	6827	1753	8644	6310	2081	8632	6301	2419	8300	6059	2520	7802	5695	2696	7470	5453	2797	
	22	30	6755	4399	1253	10373	6769	1753	9587	6253	2081	9545	6241	2444	9213	5998	2545	8300	5817	2797	7719	5695	2948	
	24	32	7218	4399	1272	11081	6769	1775	10216	6253	2104	10209	6241	2444	9794	5998	2570	8632	5938	2873	7885	5877	3049	
(1.5+1.5) + (1.8+1.8+2.5)	12	18	5497	3771	1197	7387	5966	1686	6837	5507	1988	6806	5514	2318	6557	5271	2419	6142	4968	2596	5893	4726	2696	
	14	20	5497	3771	1197	7937	5966	1686	7387	5565	2011	7304	5514	2344	7055	5332	2444	6557	4968	2621	6308	4787	2747	
	16	22	5497	4012	1215	8487	5966	1709	7859	5565	2034	7802	5514	2369	7553	5332	2495	7055	4968	2671	6806	4787	2772	
	18	25	5894	4303	1234	9037	6482	1731	8330	6024	2058	8300	5998	2394	7968	5756	2495	7470	5393	2696	7138	5150	2797	
	19	27	6093	4448	1253	9352	6827	1753	8644	6310	2081	8632	6301	2419	8300	6059	2520	7802	5695	2696	7470	5453	2797	
	22	30	6755	4399	1253	10373	6769	1753	9587	6253	2081	9545	6241	2444	9213	5998	2545	8300	5817	2797	7719	5695	2948	
	24	32	7218	4399	1272	11081	6769	1775	10216	6253	2104	10209	6241	2444	9794	5998	2570	8632	5938	2873	7885	5877	3049	
(1.5+1.5) + (1.8+1.8+3.5)	12	18	5497	3771	1197	7387	5966	1686	6837	5507	1988	6806	5514	2318	6557	5271	2419	6142	4968	2596	5893	4726	2696	
	14	20	5497	3771	1197	7937	5966	1686	7387	5565	2011	7304	5514	2344	7055	5332	2444	6557	4968	2621	6308	4787	2747	
	16	22	5497	4012	1215	8487	5966	1709	7859	5565	2034	7802	5514	2369	7553	5332	2495	7055	4968	2671	6806	4787	2772	
	18	25	5894	4303	1234	9037	6482	1731	8330	6024	2058	8300	5998	2394	7968	5756	2495	7470	5393	2696	7138	5150	2797	
	19	27	6093	4448	1253	9352	6827	1753	8644	6310	2081	8632	6301	2419	8300	6059	2520	7802	5695	2696	7470	5453	2797	
	22	30	6755	4399	1253	10373	6769	1753	9587	6253	2081	9545	6241	2444	9213	5998	2545	8300	5817	2797	7719	5695	2948	
	24	32	7218	4399	1272	11081	6769	1775	10216	6253	2104	10209	6241	2444	9794	5998	2570	8632	5938	2873	7885	5877	3049	
(1.5+1.5) + (1.8+1.8+5.0)	12	18	5497	3771	1197	7387	5966	1686	6837	5507	1988	6806	5514	2318	6557	5271	2419	6142	4968	2596	5893	4726	2696	
	14	20	5497	3771	1197	7937	5966	1686	7387	5565	2011	7304	5514	2344	7055	5332	2444	6557	4968	2621	6308	4787	2747	
	16	22	5497	4012	1215	8487	5966	1709	7859	5565	2034	7802	5514	2369	7553	5332	2495	7055	4968	2671	6806	4787	2772	
	18	25	5894	4303	1234	9037	6482	1731	8330	6024	2058	8300	5998	2394	7968	5756	2495	7470	5393	2696	7138	5150	2797	
	19	27	6093	4448	1253	9352	6827	1753	8644	6310	2081	8632	6301	2419	8300	6059	2520	7802	5695	2696	7470	5453	2797	
	22	30	6755	4399	1253	10373	6769	1753	9587	6253	2081	9545	6241	2444	9213	5998	2545	8300	5817	2797	7719	5695	2948	
	24	32	7218	4399	1272	11081	6769	1775	10216	6253	2104	10209	6241	2444	9794	5998	2570	8632	5938	2873	7885	5877	3049	
(1.5+1.5) + (1.8+2.5+2.5)	12	18	5497	3771	1197	7387	5966	1686	6837	5507	1988	6806	5514	2318	6557	5271	2419	6142	4968	2596	5893	4726	2696	
	14	20	5497	3771	1197	7937	5966	1686	7387	5565	2011	7304	5514	2344	7055	5332	2444	6557	4968	2621	6308	4787	2747	
	16	22	5497	4012	1215	8487	5966	1709	7859	5565	2034	7802	5514	2369	7553	5332	2495	7055	4968	2671	6806	4787	2772	
	18	25	5894	4303	1234	9037	6482	1731	8330	6024	2058	8300	5998	2394	7968	5756	2495	7470	5393	2696	7138	5150	2797	
	19	27	6093	4448	1253	9352	6827	1753	8644	6310	2081	8632	6301	2419	8300	6059	2520	7802	5695	2696	7470	5453	2797	
	22	30	6755	4399	1253	10373	6769	1753	9587	6253	2081	9545	6241	2444	9213	5998	2545	8300	5817	2797	7719	5695	2948	
	24	32	7218	4399	1272	11081	6769	1775	10216	6253	2104	10209	6241	2444	9794	5998	2570	8632	5938	2873	7885	5877	3049	
(1.5+1.5) + (1.8+2.5+3.5)	12	18	5497	3771	1197	7387	5966	1686	6837	5507	1988	6806	5514	2318	6557	5271	2419	6142	4968	2596	5893	4726	2696	
	14	20	5497	3771	1197	7937	5966	1686	7387	5565	2011	7304	5514	2344	7055	5332	2444	6557	4968	2621	6308	4787	2747	
	16	22	5497	4012	1215	8487	5966	1709	7859	5565	2034	7802	5514	2369	7553	5332	2495	7055	4968	2671	6806	4787	2772	
	18	25	5894	4303	1234	9037	6482	1731	8330	6024	2058	8300	5998	2394	7968	5756	2495	7470	5393	2696	7138	5150	2797	
	19	27	6093	4448	1253	9352	6827	1753	8644	6310	2081	8632	6301	2419	8300	6059	2520	7802	5695	2696	7470	5453	2797	
	22	30	6755	4399	1253	10373	6769	1753	9587	6253	2081	9545	6241	2444	9213	5998	2545	8300	5817	2797	7719	5695	2948	
	24	32	7218	4399	1272	11081	6769	1775	10216	6253	2104	10209	6241	2444	9794	5998	2570	8632	5938	2873	7885	5877	3049	

		INDOOR		OUTDOOR TEMPERATURE (°CDB)																				
		EWB	EDB	-10			21			27			32			35			40			43		
		°C	°C	TC	SHC	PI	TC	SHC	PI	TC	SHC	PI	TC	SHC	PI	TC	SHC	PI	TC	SHC	PI	TC	SHC	PI
(1.5+1.5) + (1.8+3.5+3.5)	12	18	5497	3771	1197	7387	5966	1686	6837	5507	1988	6806	5514	2318	6557	5271	2419	6142	4968	2596	5893	4726	2696	
	14	20	5497	3771	1197	7937	5966	1686	7387	5565	2011	7304	5514	2344	7055	5332	2444	6557	4968	2621	6308	4787	2747	
	16	22	5497	4012	1215	8487	5966	1709	7859	5565	2034	7802	5514	2369	7553	5332	2495	7055	4968	2671	6806	4787	2772	
	18	25	5894	4303	1234	9037	6482	1731	8330	6024	2058	8300	5998	2394	7968	5756	2495	7470	5393	2696	7138	5150	2797	
	19	27	6093	4448	1253	9352	6827	1753	8644	6310	2081	8632	6301	2419	8300	6059	2520	7802	5695	2696	7470	5453	2797	
	22	30	6755	4399	1253	10373	6769	1753	9587	6253	2081	9545	6241	2444	9213	5998	2545	8300	5817	2797	7719	5695	2948	
	24	32	7218	4399	1272	11081	6769	1775	10216	6253	2104	10209	6241	2444	9794	5998	2570	8632	5938	2873	7885	5877	3049	
(1.5+1.5) + (2.5+2.5+2.5)	12	18	5497	3771	1197	7387	5966	1686	6837	5507	1988	6806	5514	2318	6557	5271	2419	6142	4968	2596	5893	4726	2696	
	14	20	5497	3771	1197	7937	5966	1686	7387	5565	2011	7304	5514	2344	7055	5332	2444	6557	4968	2621	6308	4787	2747	
	16	22	5497	4012	1215	8487	5966	1709	7859	5565	2034	7802	5514	2369	7553	5332	2495	7055	4968	2671	6806	4787	2772	
	18	25	5894	4303	1234	9037	6482	1731	8330	6024	2058	8300	5998	2394	7968	5756	2495	7470	5393	2696	7138	5150	2797	
	19	27	6093	4448	1253	9352	6827	1753	8644	6310	2081	8632	6301	2419	8300	6059	2520	7802	5695	2696	7470	5453	2797	
	22	30	6755	4399	1253	10373	6769	1753	9587	6253	2081	9545	6241	2444	9213	5998	2545	8300	5817	2797	7719	5695	2948	
	24	32	7218	4399	1272	11081	6769	1775	10216	6253	2104	10209	6241	2444	9794	5998	2570	8632	5938	2873	7885	5877	3049	
(1.5+1.5) + (2.5+2.5+3.5)	12	18	5497	3771	1197	7387	5966	1686	6837	5507	1988	6806	5514	2318	6557	5271	2419	6142	4968	2596	5893	4726	2696	
	14	20	5497	3771	1197	7937	5966	1686	7387	5565	2011	7304	5514	2344	7055	5332	2444	6557	4968	2621	6308	4787	2747	
	16	22	5497	4012	1215	8487	5966	1709	7859	5565	2034	7802	5514	2369	7553	5332	2495	7055	4968	2671	6806	4787	2772	
	18	25	5894	4303	1234	9037	6482	1731	8330	6024	2058	8300	5998	2394	7968	5756	2495	7470	5393	2696	7138	5150	2797	
	19	27	6093	4448	1253	9352	6827	1753	8644	6310	2081	8632	6301	2419	8300	6059	2520	7802	5695	2696	7470	5453	2797	
	22	30	6755	4399	1253	10373	6769	1753	9587	6253	2081	9545	6241	2444	9213	5998	2545	8300	5817	2797	7719	5695	2948	
	24	32	7218	4399	1272	11081	6769	1775	10216	6253	2104	10209	6241	2444	9794	5998	2570	8632	5938	2873	7885	5877	3049	
(1.5+1.8) + (1.5+1.5+1.5)	12	18	5165	3544	1135	6942	5607	1599	6425	5175	1885	6396	5182	2199	6162	4954	2294	5772	4669	2462	5538	4441	2557	
	14	20	5165	3544	1135	7459	5607	1599	6942	5229	1907	6864	5182	2223	6630	5011	2318	6162	4669	2486	5928	4498	2605	
	16	22	5165	3771	1153	7976	5607	1620	7385	5229	1929	7332	5182	2247	7098	5011	2366	6630	4669	2533	6396	4498	2629	
	18	25	5539	4043	1170	8493	6092	1641	7828	5661	1952	7800	5637	2271	7488	5409	2366	7020	5068	2557	6708	4840	2653	
	19	27	5726	4180	1188	8788	6415	1663	8124	5930	1974	8112	5922	2294	7800	5694	2390	7332	5352	2557	7020	5125	2653	
	22	30	6348	4134	1188	9748	6362	1663	9010	5876	1974	8970	5865	2318	8658	5637	2414	7800	5466	2653	7254	5352	2796	
	24	32	6784	4134	1206	10413	6362	1684	9601	5876	1996	9594	5865	2318	9204	5637	2438	8112	5580	2725	7410	5523	2892	
(1.5+1.8) + (1.5+1.5+1.8)	12	18	5364	3680	1182	7209	5822	1666	6672	5375	1964	6642	5381	2291	6399	5144	2390	5994	4849	2565	5751	4612	2664	
	14	20	5364	3680	1182	7746	5822	1666	7209	5431	1987	7128	5381	2316	6885	5203	2415	6399	4849	2590	6156	4671	2714	
	16	22	5364	3916	1201	8283	5822	1688	7669	5431	2010	7614	5381	2341	7371	5203	2465	6885	4849	2639	6642	4671	2739	
	18	25	5752	4199	1219	8820	6326	1710	8129	5878	2033	8100	5854	2366	7776	5617	2465	7290	5263	2664	6966	5026	2764	
	19	27	5946	4340	1238	9126	6662	1732	8436	6158	2056	8424	6150	2390	8100	5913	2490	7614	5558	2664	7290	5322	2764	
	22	30	6592	4293	1238	10123	6606	1732	9356	6102	2056	9315	6090	2415	8991	5854	2515	8100	5676	2764	7533	5558	2913	
	24	32	7044	4293	1256	10814	6606	1754	9970	6102	2079	9963	6090	2415	9558	5854	2540	8424	5795	2839	7695	5736	3013	
(1.5+1.8) + (1.5+1.5+2.5)	12	18	5695	3907	1244	7654	6182	1753	7084	5706	2066	7052	5713	2410	6794	5462	2515	6364	5148	2699	6106	4897	2803	
	14	20	5695	3907	1244	8224	6182	1753	7654	5766	2091	7568	5713	2437	7310	5525	2541	6794	5148	2725	6536	4960	2856	
	16	22	5695	4158	1264	8794	6182	1776	8143	5766	2115	8084	5713	2463	7826	5525	2594	7310	5148	2777	7052	4960	2882	
	18	25	6107	4458	1283	9364	6717	1799	8631	6241	2139	8600	6215	2489	8256	5964	2594	7740	5587	2803	7396	5336	2908	
	19	27	6313	4608	1303	9690	7073	1823	8957	6538	2164	8944	6529	2515	8600	6278	2620	8084	5901	2803	7740	5650	2908	
	22	30	6999	4558	1303	10748	7014	1823	9934	6479	2164	9890	6466	2541	9546	6215	2646	8600	6027	2908	7998	5901	3065	
	24	32	7479	4558	1322	11481	7014	1846	10585	6479	2188	10578	6466	2541	10148	6215	2672	8944	6152	2987	8170	6090	3170	

INDOOR		OUTDOOR TEMPERATURE (°CDB)																					
EWB	EDB	-10			21			27			32			35			40			43			
°C	°C	TC	SHC	PI	TC	SHC	PI	TC	SHC	PI	TC	SHC	PI	TC	SHC	PI	TC	SHC	PI	TC	SHC	PI	
(1.5+1.8) + (1.5+1.5+3.5)	12	18	5695	3907	1244	7654	6182	1753	7084	5706	2066	7052	5713	2410	6794	5462	2515	6364	5148	2699	6106	4897	2803
	14	20	5695	3907	1244	8224	6182	1753	7654	5766	2091	7568	5713	2437	7310	5525	2541	6794	5148	2725	6536	4960	2856
	16	22	5695	4158	1264	8794	6182	1776	8143	5766	2115	8084	5713	2463	7826	5525	2594	7310	5148	2777	7052	4960	2882
	18	25	6107	4458	1283	9364	6717	1799	8631	6241	2139	8600	6215	2489	8256	5964	2594	7740	5587	2803	7396	5336	2908
	19	27	6313	4608	1303	9690	7073	1823	8957	6538	2164	8944	6529	2515	8600	6278	2620	8084	5901	2803	7740	5650	2908
	22	30	6999	4558	1303	10748	7014	1823	9934	6479	2164	9890	6466	2541	9546	6215	2646	8600	6027	2908	7998	5901	3065
	24	32	7479	4558	1322	11481	7014	1846	10585	6479	2188	10578	6466	2541	10148	6215	2672	8944	6152	2987	8170	6090	3170
(1.5+1.8) + (1.5+1.5+5.0)	12	18	5695	3907	1244	7654	6182	1753	7084	5706	2066	7052	5713	2410	6794	5462	2515	6364	5148	2699	6106	4897	2803
	14	20	5695	3907	1244	8224	6182	1753	7654	5766	2091	7568	5713	2437	7310	5525	2541	6794	5148	2725	6536	4960	2856
	16	22	5695	4158	1264	8794	6182	1776	8143	5766	2115	8084	5713	2463	7826	5525	2594	7310	5148	2777	7052	4960	2882
	18	25	6107	4458	1283	9364	6717	1799	8631	6241	2139	8600	6215	2489	8256	5964	2594	7740	5587	2803	7396	5336	2908
	19	27	6313	4608	1303	9690	7073	1823	8957	6538	2164	8944	6529	2515	8600	6278	2620	8084	5901	2803	7740	5650	2908
	22	30	6999	4558	1303	10748	7014	1823	9934	6479	2164	9890	6466	2541	9546	6215	2646	8600	6027	2908	7998	5901	3065
	24	32	7479	4558	1322	11481	7014	1846	10585	6479	2188	10578	6466	2541	10148	6215	2672	8944	6152	2987	8170	6090	3170
(1.5+1.8) + (1.5+1.8+1.8)	12	18	5563	3816	1220	7476	6038	1720	6919	5574	2027	6888	5580	2364	6636	5335	2467	6216	5028	2647	5964	4783	2750
	14	20	5563	3816	1220	8033	6038	1720	7476	5632	2051	7392	5580	2390	7140	5396	2493	6636	5028	2673	6384	4844	2801
	16	22	5563	4061	1240	8589	6038	1742	7953	5632	2075	7896	5580	2416	7644	5396	2544	7140	5028	2724	6888	4844	2827
	18	25	5965	4354	1259	9146	6561	1765	8430	6096	2098	8400	6071	2442	8064	5825	2544	7560	5457	2750	7224	5212	2853
	19	27	6166	4501	1278	9464	6909	1788	8749	6386	2122	8736	6377	2467	8400	6132	2570	7896	5764	2750	7560	5519	2853
	22	30	6836	4452	1278	10498	6851	1788	9703	6328	2122	9660	6316	2493	9324	6071	2596	8400	5887	2853	7812	5764	3007
	24	32	7305	4452	1297	11214	6851	1810	10339	6328	2146	10332	6316	2493	9912	6071	2621	8736	6009	2930	7980	5948	3110
(1.5+1.8) + (1.5+1.8+2.5)	12	18	5695	3907	1244	7654	6182	1753	7084	5706	2066	7052	5713	2410	6794	5462	2515	6364	5148	2699	6106	4897	2803
	14	20	5695	3907	1244	8224	6182	1753	7654	5766	2091	7568	5713	2437	7310	5525	2541	6794	5148	2725	6536	4960	2856
	16	22	5695	4158	1264	8794	6182	1776	8143	5766	2115	8084	5713	2463	7826	5525	2594	7310	5148	2777	7052	4960	2882
	18	25	6107	4458	1283	9364	6717	1799	8631	6241	2139	8600	6215	2489	8256	5964	2594	7740	5587	2803	7396	5336	2908
	19	27	6313	4608	1303	9690	7073	1823	8957	6538	2164	8944	6529	2515	8600	6278	2620	8084	5901	2803	7740	5650	2908
	22	30	6999	4558	1303	10748	7014	1823	9934	6479	2164	9890	6466	2541	9546	6215	2646	8600	6027	2908	7998	5901	3065
	24	32	7479	4558	1322	11481	7014	1846	10585	6479	2188	10578	6466	2541	10148	6215	2672	8944	6152	2987	8170	6090	3170
(1.5+1.8) + (1.5+1.8+3.5)	12	18	5695	3907	1244	7654	6182	1753	7084	5706	2066	7052	5713	2410	6794	5462	2515	6364	5148	2699	6106	4897	2803
	14	20	5695	3907	1244	8224	6182	1753	7654	5766	2091	7568	5713	2437	7310	5525	2541	6794	5148	2725	6536	4960	2856
	16	22	5695	4158	1264	8794	6182	1776	8143	5766	2115	8084	5713	2463	7826	5525	2594	7310	5148	2777	7052	4960	2882
	18	25	6107	4458	1283	9364	6717	1799	8631	6241	2139	8600	6215	2489	8256	5964	2594	7740	5587	2803	7396	5336	2908
	19	27	6313	4608	1303	9690	7073	1823	8957	6538	2164	8944	6529	2515	8600	6278	2620	8084	5901	2803	7740	5650	2908
	22	30	6999	4558	1303	10748	7014	1823	9934	6479	2164	9890	6466	2541	9546	6215	2646	8600	6027	2908	7998	5901	3065
	24	32	7479	4558	1322	11481	7014	1846	10585	6479	2188	10578	6466	2541	10148	6215	2672	8944	6152	2987	8170	6090	3170
(1.5+1.8) + (1.5+1.8+5.0)	12	18	5695	3907	1244	7654	6182	1753	7084	5706	2066	7052	5713	2410	6794	5462	2515	6364	5148	2699	6106	4897	2803
	14	20	5695	3907	1244	8224	6182	1753	7654	5766	2091	7568	5713	2437	7310	5525	2541	6794	5148	2725	6536	4960	2856
	16	22	5695	4158	1264	8794	6182	1776	8143	5766	2115	8084	5713	2463	7826	5525	2594	7310	5148	2777	7052	4960	2882
	18	25	6107	4458	1283	9364	6717	1799	8631	6241	2139	8600	6215	2489	8256	5964	2594	7740	5587	2803	7396	5336	2908
	19	27	6313	4608	1303	9690	7073	1823	8957	6538	2164	8944	6529	2515	8600	6278	2620	8084	5901	2803	7740	5650	2908
	22	30	6999	4558	1303	10748	7014	1823	9934	6479	2164	9890	6466	2541	9546	6215	2646	8600	6027	2908	7998	5901	3065
	24	32	7479	4558	1322	11481	7014	1846	10585	6479	2188	10578	6466	2541	10148	6215	2672	8944	6152	2987	8170	6090	3170

		INDOOR		OUTDOOR TEMPERATURE (°CDB)																				
		EWB	EDB	-10			21			27			32			35			40			43		
		°C	°C	TC	SHC	PI	TC	SHC	PI	TC	SHC	PI	TC	SHC	PI	TC	SHC	PI	TC	SHC	PI	TC	SHC	PI
(1.5+1.8) + (1.5+2.5+2.5)	12	18	5695	3907	1244	7654	6182	1753	7084	5706	2066	7052	5713	2410	6794	5462	2515	6364	5148	2699	6106	4897	2803	
	14	20	5695	3907	1244	8224	6182	1753	7654	5766	2091	7568	5713	2437	7310	5525	2541	6794	5148	2725	6536	4960	2856	
	16	22	5695	4158	1264	8794	6182	1776	8143	5766	2115	8084	5713	2463	7826	5525	2594	7310	5148	2777	7052	4960	2882	
	18	25	6107	4458	1283	9364	6717	1799	8631	6241	2139	8600	6215	2489	8256	5964	2594	7740	5587	2803	7396	5336	2908	
	19	27	6313	4608	1303	9690	7073	1823	8957	6538	2164	8944	6529	2515	8600	6278	2620	8084	5901	2803	7740	5650	2908	
	22	30	6999	4558	1303	10748	7014	1823	9934	6479	2164	9890	6466	2541	9546	6215	2646	8600	6027	2908	7998	5901	3065	
	24	32	7479	4558	1322	11481	7014	1846	10585	6479	2188	10578	6466	2541	10148	6215	2672	8944	6152	2987	8170	6090	3170	
(1.5+1.8) + (1.5+2.5+3.5)	12	18	5695	3907	1244	7654	6182	1753	7084	5706	2066	7052	5713	2410	6794	5462	2515	6364	5148	2699	6106	4897	2803	
	14	20	5695	3907	1244	8224	6182	1753	7654	5766	2091	7568	5713	2437	7310	5525	2541	6794	5148	2725	6536	4960	2856	
	16	22	5695	4158	1264	8794	6182	1776	8143	5766	2115	8084	5713	2463	7826	5525	2594	7310	5148	2777	7052	4960	2882	
	18	25	6107	4458	1283	9364	6717	1799	8631	6241	2139	8600	6215	2489	8256	5964	2594	7740	5587	2803	7396	5336	2908	
	19	27	6313	4608	1303	9690	7073	1823	8957	6538	2164	8944	6529	2515	8600	6278	2620	8084	5901	2803	7740	5650	2908	
	22	30	6999	4558	1303	10748	7014	1823	9934	6479	2164	9890	6466	2541	9546	6215	2646	8600	6027	2908	7998	5901	3065	
	24	32	7479	4558	1322	11481	7014	1846	10585	6479	2188	10578	6466	2541	10148	6215	2672	8944	6152	2987	8170	6090	3170	
(1.5+1.8) + (1.5+3.5+3.5)	12	18	5695	3907	1244	7654	6182	1753	7084	5706	2066	7052	5713	2410	6794	5462	2515	6364	5148	2699	6106	4897	2803	
	14	20	5695	3907	1244	8224	6182	1753	7654	5766	2091	7568	5713	2437	7310	5525	2541	6794	5148	2725	6536	4960	2856	
	16	22	5695	4158	1264	8794	6182	1776	8143	5766	2115	8084	5713	2463	7826	5525	2594	7310	5148	2777	7052	4960	2882	
	18	25	6107	4458	1283	9364	6717	1799	8631	6241	2139	8600	6215	2489	8256	5964	2594	7740	5587	2803	7396	5336	2908	
	19	27	6313	4608	1303	9690	7073	1823	8957	6538	2164	8944	6529	2515	8600	6278	2620	8084	5901	2803	7740	5650	2908	
	22	30	6999	4558	1303	10748	7014	1823	9934	6479	2164	9890	6466	2541	9546	6215	2646	8600	6027	2908	7998	5901	3065	
	24	32	7479	4558	1322	11481	7014	1846	10585	6479	2188	10578	6466	2541	10148	6215	2672	8944	6152	2987	8170	6090	3170	
(1.5+1.8) + (1.8+1.8+1.8)	12	18	5695	3907	1244	7654	6182	1753	7084	5706	2066	7052	5713	2410	6794	5462	2515	6364	5148	2699	6106	4897	2803	
	14	20	5695	3907	1244	8224	6182	1753	7654	5766	2091	7568	5713	2437	7310	5525	2541	6794	5148	2725	6536	4960	2856	
	16	22	5695	4158	1264	8794	6182	1776	8143	5766	2115	8084	5713	2463	7826	5525	2594	7310	5148	2777	7052	4960	2882	
	18	25	6107	4458	1283	9364	6717	1799	8631	6241	2139	8600	6215	2489	8256	5964	2594	7740	5587	2803	7396	5336	2908	
	19	27	6313	4608	1303	9690	7073	1823	8957	6538	2164	8944	6529	2515	8600	6278	2620	8084	5901	2803	7740	5650	2908	
	22	30	6999	4558	1303	10748	7014	1823	9934	6479	2164	9890	6466	2541	9546	6215	2646	8600	6027	2908	7998	5901	3065	
	24	32	7479	4558	1322	11481	7014	1846	10585	6479	2188	10578	6466	2541	10148	6215	2672	8944	6152	2987	8170	6090	3170	
(1.5+1.8) + (1.8+1.8+2.5)	12	18	5695	3907	1244	7654	6182	1753	7084	5706	2066	7052	5713	2410	6794	5462	2515	6364	5148	2699	6106	4897	2803	
	14	20	5695	3907	1244	8224	6182	1753	7654	5766	2091	7568	5713	2437	7310	5525	2541	6794	5148	2725	6536	4960	2856	
	16	22	5695	4158	1264	8794	6182	1776	8143	5766	2115	8084	5713	2463	7826	5525	2594	7310	5148	2777	7052	4960	2882	
	18	25	6107	4458	1283	9364	6717	1799	8631	6241	2139	8600	6215	2489	8256	5964	2594	7740	5587	2803	7396	5336	2908	
	19	27	6313	4608	1303	9690	7073	1823	8957	6538	2164	8944	6529	2515	8600	6278	2620	8084	5901	2803	7740	5650	2908	
	22	30	6999	4558	1303	10748	7014	1823	9934	6479	2164	9890	6466	2541	9546	6215	2646	8600	6027	2908	7998	5901	3065	
	24	32	7479	4558	1322	11481	7014	1846	10585	6479	2188	10578	6466	2541	10148	6215	2672	8944	6152	2987	8170	6090	3170	
(1.5+1.8) + (1.8+1.8+3.5)	12	18	5695	3907	1244	7654	6182	1753	7084	5706	2066	7052	5713	2410	6794	5462	2515	6364	5148	2699	6106	4897	2803	
	14	20	5695	3907	1244	8224	6182	1753	7654	5766	2091	7568	5713	2437	7310	5525	2541	6794	5148	2725	6536	4960	2856	
	16	22	5695	4158	1264	8794	6182	1776	8143	5766	2115	8084	5713	2463	7826	5525	2594	7310	5148	2777	7052	4960	2882	
	18	25	6107	4458	1283	9364	6717	1799	8631	6241	2139	8600	6215	2489	8256	5964	2594	7740	5587	2803	7396	5336	2908	
	19	27	6313	4608	1303	9690	7073	1823	8957	6538	2164	8944	6529	2515	8600	6278	2620	8084	5901	2803	7740	5650	2908	
	22	30	6999	4558	1303	10748	7014	1823	9934	6479	2164	9890	6466	2541	9546	6215	2646	8600	6027	2908	7998	5901	3065	
	24	32	7479	4558	1322	11481	7014	1846	10585	6479	2188	10578	6466	2541	10148	6215	2672	8944	6152	2987	8170	6090	3170	

		INDOOR		OUTDOOR TEMPERATURE (°CDB)																				
		EWB	EDB	-10			21			27			32			35			40			43		
		°C	°C	TC	SHC	PI	TC	SHC	PI	TC	SHC	PI	TC	SHC	PI	TC	SHC	PI	TC	SHC	PI	TC	SHC	PI
(1.5+1.8) + (1.8+1.8+5.0)	12	18	5695	3907	1244	7654	6182	1753	7084	5706	2066	7052	5713	2410	6794	5462	2515	6364	5148	2699	6106	4897	2803	
	14	20	5695	3907	1244	8224	6182	1753	7654	5766	2091	7568	5713	2437	7310	5525	2541	6794	5148	2725	6536	4960	2856	
	16	22	5695	4158	1264	8794	6182	1776	8143	5766	2115	8084	5713	2463	7826	5525	2594	7310	5148	2777	7052	4960	2882	
	18	25	6107	4458	1283	9364	6717	1799	8631	6241	2139	8600	6215	2489	8256	5964	2594	7740	5587	2803	7396	5336	2908	
	19	27	6313	4608	1303	9690	7073	1823	8957	6538	2164	8944	6529	2515	8600	6278	2620	8084	5901	2803	7740	5650	2908	
	22	30	6999	4558	1303	10748	7014	1823	9934	6479	2164	9890	6466	2541	9546	6215	2646	8600	6027	2908	7998	5901	3065	
	24	32	7479	4558	1322	11481	7014	1846	10585	6479	2188	10578	6466	2541	10148	6215	2672	8944	6152	2987	8170	6090	3170	
(1.5+1.8) + (1.8+2.5+2.5)	12	18	5695	3907	1244	7654	6182	1753	7084	5706	2066	7052	5713	2410	6794	5462	2515	6364	5148	2699	6106	4897	2803	
	14	20	5695	3907	1244	8224	6182	1753	7654	5766	2091	7568	5713	2437	7310	5525	2541	6794	5148	2725	6536	4960	2856	
	16	22	5695	4158	1264	8794	6182	1776	8143	5766	2115	8084	5713	2463	7826	5525	2594	7310	5148	2777	7052	4960	2882	
	18	25	6107	4458	1283	9364	6717	1799	8631	6241	2139	8600	6215	2489	8256	5964	2594	7740	5587	2803	7396	5336	2908	
	19	27	6313	4608	1303	9690	7073	1823	8957	6538	2164	8944	6529	2515	8600	6278	2620	8084	5901	2803	7740	5650	2908	
	22	30	6999	4558	1303	10748	7014	1823	9934	6479	2164	9890	6466	2541	9546	6215	2646	8600	6027	2908	7998	5901	3065	
	24	32	7479	4558	1322	11481	7014	1846	10585	6479	2188	10578	6466	2541	10148	6215	2672	8944	6152	2987	8170	6090	3170	
(1.5+1.8) + (1.8+2.5+3.5)	12	18	5695	3907	1244	7654	6182	1753	7084	5706	2066	7052	5713	2410	6794	5462	2515	6364	5148	2699	6106	4897	2803	
	14	20	5695	3907	1244	8224	6182	1753	7654	5766	2091	7568	5713	2437	7310	5525	2541	6794	5148	2725	6536	4960	2856	
	16	22	5695	4158	1264	8794	6182	1776	8143	5766	2115	8084	5713	2463	7826	5525	2594	7310	5148	2777	7052	4960	2882	
	18	25	6107	4458	1283	9364	6717	1799	8631	6241	2139	8600	6215	2489	8256	5964	2594	7740	5587	2803	7396	5336	2908	
	19	27	6313	4608	1303	9690	7073	1823	8957	6538	2164	8944	6529	2515	8600	6278	2620	8084	5901	2803	7740	5650	2908	
	22	30	6999	4558	1303	10748	7014	1823	9934	6479	2164	9890	6466	2541	9546	6215	2646	8600	6027	2908	7998	5901	3065	
	24	32	7479	4558	1322	11481	7014	1846	10585	6479	2188	10578	6466	2541	10148	6215	2672	8944	6152	2987	8170	6090	3170	
(1.5+1.8) + (1.8+3.5+3.5)	12	18	5695	3907	1244	7654	6182	1753	7084	5706	2066	7052	5713	2410	6794	5462	2515	6364	5148	2699	6106	4897	2803	
	14	20	5695	3907	1244	8224	6182	1753	7654	5766	2091	7568	5713	2437	7310	5525	2541	6794	5148	2725	6536	4960	2856	
	16	22	5695	4158	1264	8794	6182	1776	8143	5766	2115	8084	5713	2463	7826	5525	2594	7310	5148	2777	7052	4960	2882	
	18	25	6107	4458	1283	9364	6717	1799	8631	6241	2139	8600	6215	2489	8256	5964	2594	7740	5587	2803	7396	5336	2908	
	19	27	6313	4608	1303	9690	7073	1823	8957	6538	2164	8944	6529	2515	8600	6278	2620	8084	5901	2803	7740	5650	2908	
	22	30	6999	4558	1303	10748	7014	1823	9934	6479	2164	9890	6466	2541	9546	6215	2646	8600	6027	2908	7998	5901	3065	
	24	32	7479	4558	1322	11481	7014	1846	10585	6479	2188	10578	6466	2541	10148	6215	2672	8944	6152	2987	8170	6090	3170	
(1.5+1.8) + (2.5+2.5+2.5)	12	18	5695	3907	1244	7654	6182	1753	7084	5706	2066	7052	5713	2410	6794	5462	2515	6364	5148	2699	6106	4897	2803	
	14	20	5695	3907	1244	8224	6182	1753	7654	5766	2091	7568	5713	2437	7310	5525	2541	6794	5148	2725	6536	4960	2856	
	16	22	5695	4158	1264	8794	6182	1776	8143	5766	2115	8084	5713	2463	7826	5525	2594	7310	5148	2777	7052	4960	2882	
	18	25	6107	4458	1283	9364	6717	1799	8631	6241	2139	8600	6215	2489	8256	5964	2594	7740	5587	2803	7396	5336	2908	
	19	27	6313	4608	1303	9690	7073	1823	8957	6538	2164	8944	6529	2515	8600	6278	2620	8084	5901	2803	7740	5650	2908	
	22	30	6999	4558	1303	10748	7014	1823	9934	6479	2164	9890	6466	2541	9546	6215	2646	8600	6027	2908	7998	5901	3065	
	24	32	7479	4558	1322	11481	7014	1846	10585	6479	2188	10578	6466	2541	10148	6215	2672	8944	6152	2987	8170	6090	3170	
(1.5+1.8) + (2.5+2.5+3.5)	12	18	5695	3907	1244	7654	6182	1753	7084	5706	2066	7052	5713	2410	6794	5462	2515	6364	5148	2699	6106	4897	2803	
	14	20	5695	3907	1244	8224	6182	1753	7654	5766	2091	7568	5713	2437	7310	5525	2541	6794	5148	2725	6536	4960	2856	
	16	22	5695	4158	1264	8794	6182	1776	8143	5766	2115	8084	5713	2463	7826	5525	2594	7310	5148	2777	7052	4960	2882	
	18	25	6107	4458	1283	9364	6717	1799	8631	6241	2139	8600	6215	2489	8256	5964	2594	7740	5587	2803	7396	5336	2908	
	19	27	6313	4608	1303	9690	7073	1823	8957	6538	2164	8944	6529	2515	8600	6278	2620	8084	5901	2803	7740	5650	2908	
	22	30	6999	4558	1303	10748	7014	1823	9934	6479	2164	9890	6466	2541	9546	6215	2646	8600	6027	2908	7998	5901	3065	
	24	32	7479	4558	1322	11481	7014	1846	10585	6479	2188	10578	6466	2541	10148	6215	2672	8944	6152	2987	8170	6090	3170	

INDOOR		OUTDOOR TEMPERATURE (°CDB)																						
		EWB	EDB	-10			21			27			32			35			40			43		
				°C	°C	TC	SHC	PI	TC	SHC	PI	TC	SHC	PI	TC	SHC	PI	TC	SHC	PI	TC	SHC	PI	
(1.5+2.5) + (1.5+1.5+1.5)	12	18	5629	3862	1211	7565	6110	1706	7002	5640	2011	6970	5647	2346	6715	5398	2448	6290	5088	2627	6035	4840	2729	
	14	20	5629	3862	1211	8128	6110	1706	7565	5699	2035	7480	5647	2372	7225	5460	2474	6715	5088	2652	6460	4902	2780	
	16	22	5629	4109	1230	8692	6110	1729	8048	5699	2058	7990	5647	2397	7735	5460	2525	7225	5088	2703	6970	4902	2805	
	18	25	6036	4406	1249	9255	6639	1751	8531	6169	2082	8500	6143	2423	8160	5895	2525	7650	5522	2729	7310	5274	2831	
	19	27	6239	4555	1268	9577	6991	1774	8853	6462	2106	8840	6453	2448	8500	6205	2550	7990	5833	2729	7650	5585	2831	
	22	30	6918	4505	1268	10623	6932	1774	9818	6404	2106	9775	6391	2474	9435	6143	2576	8500	5957	2831	7905	5833	2984	
	24	32	7392	4505	1287	11348	6932	1796	10462	6404	2129	10455	6391	2474	10030	6143	2601	8840	6081	2907	8075	6019	3086	
(1.5+2.5) + (1.5+1.5+1.8)	12	18	5828	3998	1258	7832	6326	1773	7249	5839	2090	7216	5846	2438	6952	5589	2544	6512	5268	2730	6248	5011	2836	
	14	20	5828	3998	1258	8415	6326	1773	7832	5900	2115	7744	5846	2465	7480	5653	2571	6952	5268	2756	6688	5075	2889	
	16	22	5828	4254	1278	8998	6326	1797	8332	5900	2139	8272	5846	2491	8008	5653	2624	7480	5268	2809	7216	5075	2915	
	18	25	6249	4562	1298	9582	6873	1820	8832	6386	2164	8800	6360	2518	8448	6103	2624	7920	5717	2836	7568	5460	2942	
	19	27	6460	4715	1317	9915	7238	1843	9165	6691	2188	9152	6681	2544	8800	6424	2650	8272	6039	2836	7920	5782	2942	
	22	30	7162	4664	1317	10998	7177	1843	10165	6630	2188	10120	6617	2571	9768	6360	2677	8800	6167	2942	8184	6039	3101	
	24	32	7653	4664	1337	11748	7177	1867	10831	6630	2213	10824	6617	2571	10384	6360	2703	9152	6296	3021	8360	6231	3207	
(1.5+2.5) + (1.5+1.5+2.5)	12	18	6159	4225	1320	8277	6685	1860	7661	6171	2193	7626	6178	2558	7347	5906	2669	6882	5567	2863	6603	5295	2975	
	14	20	6159	4225	1320	8893	6685	1860	8277	6235	2218	8184	6178	2585	7905	5974	2697	7347	5567	2891	7068	5363	3030	
	16	22	6159	4496	1341	9510	6685	1885	8805	6235	2244	8742	6178	2613	8463	5974	2752	7905	5567	2947	7626	5363	3058	
	18	25	6604	4821	1361	10126	7264	1909	9334	6749	2270	9300	6721	2641	8928	6450	2752	8370	6042	2975	7998	5771	3086	
	19	27	6827	4983	1382	10478	7649	1934	9686	7071	2296	9672	7061	2669	9300	6789	2780	8742	6382	2975	8370	6110	3086	
	22	30	7569	4929	1382	11623	7585	1934	10742	7006	2296	10695	6993	2697	10323	6721	2808	9300	6517	3086	8649	6382	3253	
	24	32	8088	4929	1403	12416	7585	1958	11447	7006	2322	11439	6993	2697	10974	6721	2836	9672	6653	3169	8835	6585	3364	
(1.5+2.5) + (1.5+1.5+3.5)	12	18	6159	4225	1320	8277	6685	1860	7661	6171	2193	7626	6178	2558	7347	5906	2669	6882	5567	2863	6603	5295	2975	
	14	20	6159	4225	1320	8893	6685	1860	8277	6235	2218	8184	6178	2585	7905	5974	2697	7347	5567	2891	7068	5363	3030	
	16	22	6159	4496	1341	9510	6685	1885	8805	6235	2244	8742	6178	2613	8463	5974	2752	7905	5567	2947	7626	5363	3058	
	18	25	6604	4821	1361	10126	7264	1909	9334	6749	2270	9300	6721	2641	8928	6450	2752	8370	6042	2975	7998	5771	3086	
	19	27	6827	4983	1382	10478	7649	1934	9686	7071	2296	9672	7061	2669	9300	6789	2780	8742	6382	2975	8370	6110	3086	
	22	30	7569	4929	1382	11623	7585	1934	10742	7006	2296	10695	6993	2697	10323	6721	2808	9300	6517	3086	8649	6382	3253	
	24	32	8088	4929	1403	12416	7585	1958	11447	7006	2322	11439	6993	2697	10974	6721	2836	9672	6653	3169	8835	6585	3364	
(1.5+2.5) + (1.5+1.5+5.0)	12	18	6159	4225	1320	8277	6685	1860	7661	6171	2193	7626	6178	2558	7347	5906	2669	6882	5567	2863	6603	5295	2975	
	14	20	6159	4225	1320	8893	6685	1860	8277	6235	2218	8184	6178	2585	7905	5974	2697	7347	5567	2891	7068	5363	3030	
	16	22	6159	4496	1341	9510	6685	1885	8805	6235	2244	8742	6178	2613	8463	5974	2752	7905	5567	2947	7626	5363	3058	
	18	25	6604	4821	1361	10126	7264	1909	9334	6749	2270	9300	6721	2641	8928	6450	2752	8370	6042	2975	7998	5771	3086	
	19	27	6827	4983	1382	10478	7649	1934	9686	7071	2296	9672	7061	2669	9300	6789	2780	8742	6382	2975	8370	6110	3086	
	22	30	7569	4929	1382	11623	7585	1934	10742	7006	2296	10695	6993	2697	10323	6721	2808	9300	6517	3086	8649	6382	3253	
	24	32	8088	4929	1403	12416	7585	1958	11447	7006	2322	11439	6993	2697	10974	6721	2836	9672	6653	3169	8835	6585	3364	
(1.5+2.5) + (1.5+1.8+1.8)	12	18	6026	4134	1296	8099	6541	1827	7496	6038	2153	7462	6045	2512	7189	5779	2621	6734	5447	2812	6461	5182	2921	
	14	20	6026	4134	1296	8702	6541	1827	8099	6101	2178	8008	6045	2539	7735	5846	2648	7189	5447	2839	6916	5248	2976	
	16	22	6026	4399	1317	9305	6541	1851	8616	6101	2204	8554	6045	2566	8281	5846	2703	7735	5447	2894	7462	5248	3003	
	18	25	6462	4717	1337	9908	7107	1875	9133	6604	2229	9100	6577	2594	8736	6311	2703	8190	5912	2921	7826	5647	3030	
	19	27	6680	4876	1357	10253	7485	1899	9478	6919	2254	9464	6909	2621	9100	6643	2730	8554	6244	2921	8190	5979	3030	
	22	30	7406	4823	1357	11373	7422	1899	10511	6856	2254	10465	6842	2648	10101	6577	2757	9100	6377	3030	8463	6244	3194	
	24	32	7914	4823	1377	12149	7422	1923	11201	6856	2280	11193	6842	2648	10738	6577	2785	9464	6510	3112	8645	6444	3303	

		INDOOR		OUTDOOR TEMPERATURE (°CDB)																				
		EWB	EDB	-10			21			27			32			35			40			43		
		°C	°C	TC	SHC	PI	TC	SHC	PI	TC	SHC	PI	TC	SHC	PI	TC	SHC	PI	TC	SHC	PI	TC	SHC	PI
(1.5+2.5) + (1.5+1.8+2.5)	12	18	6159	4225	1320	8277	6685	1860	7661	6171	2193	7626	6178	2558	7347	5906	2669	6882	5567	2863	6603	5295	2975	
	14	20	6159	4225	1320	8893	6685	1860	8277	6235	2218	8184	6178	2585	7905	5974	2697	7347	5567	2891	7068	5363	3030	
	16	22	6159	4496	1341	9510	6685	1885	8805	6235	2244	8742	6178	2613	8463	5974	2752	7905	5567	2947	7626	5363	3058	
	18	25	6604	4821	1361	10126	7264	1909	9334	6749	2270	9300	6721	2641	8928	6450	2752	8370	6042	2975	7998	5771	3086	
	19	27	6827	4983	1382	10478	7649	1934	9686	7071	2296	9672	7061	2669	9300	6789	2780	8742	6382	2975	8370	6110	3086	
	22	30	7569	4929	1382	11623	7585	1934	10742	7006	2296	10695	6993	2697	10323	6721	2808	9300	6517	3086	8649	6382	3253	
	24	32	8088	4929	1403	12416	7585	1958	11447	7006	2322	11439	6993	2697	10974	6721	2836	9672	6653	3169	8835	6585	3364	
(1.5+2.5) + (1.5+1.8+3.5)	12	18	6159	4225	1320	8277	6685	1860	7661	6171	2193	7626	6178	2558	7347	5906	2669	6882	5567	2863	6603	5295	2975	
	14	20	6159	4225	1320	8893	6685	1860	8277	6235	2218	8184	6178	2585	7905	5974	2697	7347	5567	2891	7068	5363	3030	
	16	22	6159	4496	1341	9510	6685	1885	8805	6235	2244	8742	6178	2613	8463	5974	2752	7905	5567	2947	7626	5363	3058	
	18	25	6604	4821	1361	10126	7264	1909	9334	6749	2270	9300	6721	2641	8928	6450	2752	8370	6042	2975	7998	5771	3086	
	19	27	6827	4983	1382	10478	7649	1934	9686	7071	2296	9672	7061	2669	9300	6789	2780	8742	6382	2975	8370	6110	3086	
	22	30	7569	4929	1382	11623	7585	1934	10742	7006	2296	10695	6993	2697	10323	6721	2808	9300	6517	3086	8649	6382	3253	
	24	32	8088	4929	1403	12416	7585	1958	11447	7006	2322	11439	6993	2697	10974	6721	2836	9672	6653	3169	8835	6585	3364	
(1.5+2.5) + (1.5+1.8+5.0)	12	18	6159	4225	1320	8277	6685	1860	7661	6171	2193	7626	6178	2558	7347	5906	2669	6882	5567	2863	6603	5295	2975	
	14	20	6159	4225	1320	8893	6685	1860	8277	6235	2218	8184	6178	2585	7905	5974	2697	7347	5567	2891	7068	5363	3030	
	16	22	6159	4496	1341	9510	6685	1885	8805	6235	2244	8742	6178	2613	8463	5974	2752	7905	5567	2947	7626	5363	3058	
	18	25	6604	4821	1361	10126	7264	1909	9334	6749	2270	9300	6721	2641	8928	6450	2752	8370	6042	2975	7998	5771	3086	
	19	27	6827	4983	1382	10478	7649	1934	9686	7071	2296	9672	7061	2669	9300	6789	2780	8742	6382	2975	8370	6110	3086	
	22	30	7569	4929	1382	11623	7585	1934	10742	7006	2296	10695	6993	2697	10323	6721	2808	9300	6517	3086	8649	6382	3253	
	24	32	8088	4929	1403	12416	7585	1958	11447	7006	2322	11439	6993	2697	10974	6721	2836	9672	6653	3169	8835	6585	3364	
(1.5+2.5) + (1.5+2.5+2.5)	12	18	6159	4225	1320	8277	6685	1860	7661	6171	2193	7626	6178	2558	7347	5906	2669	6882	5567	2863	6603	5295	2975	
	14	20	6159	4225	1320	8893	6685	1860	8277	6235	2218	8184	6178	2585	7905	5974	2697	7347	5567	2891	7068	5363	3030	
	16	22	6159	4496	1341	9510	6685	1885	8805	6235	2244	8742	6178	2613	8463	5974	2752	7905	5567	2947	7626	5363	3058	
	18	25	6604	4821	1361	10126	7264	1909	9334	6749	2270	9300	6721	2641	8928	6450	2752	8370	6042	2975	7998	5771	3086	
	19	27	6827	4983	1382	10478	7649	1934	9686	7071	2296	9672	7061	2669	9300	6789	2780	8742	6382	2975	8370	6110	3086	
	22	30	7569	4929	1382	11623	7585	1934	10742	7006	2296	10695	6993	2697	10323	6721	2808	9300	6517	3086	8649	6382	3253	
	24	32	8088	4929	1403	12416	7585	1958	11447	7006	2322	11439	6993	2697	10974	6721	2836	9672	6653	3169	8835	6585	3364	
(1.5+2.5) + (1.5+2.5+3.5)	12	18	6159	4225	1320	8277	6685	1860	7661	6171	2193	7626	6178	2558	7347	5906	2669	6882	5567	2863	6603	5295	2975	
	14	20	6159	4225	1320	8893	6685	1860	8277	6235	2218	8184	6178	2585	7905	5974	2697	7347	5567	2891	7068	5363	3030	
	16	22	6159	4496	1341	9510	6685	1885	8805	6235	2244	8742	6178	2613	8463	5974	2752	7905	5567	2947	7626	5363	3058	
	18	25	6604	4821	1361	10126	7264	1909	9334	6749	2270	9300	6721	2641	8928	6450	2752	8370	6042	2975	7998	5771	3086	
	19	27	6827	4983	1382	10478	7649	1934	9686	7071	2296	9672	7061	2669	9300	6789	2780	8742	6382	2975	8370	6110	3086	
	22	30	7569	4929	1382	11623	7585	1934	10742	7006	2296	10695	6993	2697	10323	6721	2808	9300	6517	3086	8649	6382	3253	
	24	32	8088	4929	1403	12416	7585	1958	11447	7006	2322	11439	6993	2697	10974	6721	2836	9672	6653	3169	8835	6585	3364	
(1.5+2.5) + (1.5+3.5+3.5)	12	18	6159	4225	1320	8277	6685	1860	7661	6171	2193	7626	6178	2558	7347	5906	2669	6882	5567	2863	6603	5295	2975	
	14	20	6159	4225	1320	8893	6685	1860	8277	6235	2218	8184	6178	2585	7905	5974	2697	7347	5567	2891	7068	5363	3030	
	16	22	6159	4496	1341	9510	6685	1885	8805	6235	2244	8742	6178	2613	8463	5974	2752	7905	5567	2947	7626	5363	3058	
	18	25	6604	4821	1361	10126	7264	1909	9334	6749	2270	9300	6721	2641	8928	6450	2752	8370	6042	2975	7998	5771	3086	
	19	27	6827	4983	1382	10478	7649	1934	9686	7071	2296	9672	7061	2669	9300	6789	2780	8742	6382	2975	8370	6110	3086	
	22	30	7569	4929	1382	11623	7585	1934	10742	7006	2296	10695	6993	2697	10323	6721	2808	9300	6517	3086	8649	6382	3253	
	24	32	8088	4929	1403	12416	7585	1958	11447	7006	2322	11439	6993	2697	10974	6721	2836	9672	6653	3169	8835	6585	3364	



		INDOOR		OUTDOOR TEMPERATURE (°CDB)																				
		EWB	EDB	-10			21			27			32			35			40			43		
		°C	°C	TC	SHC	PI	TC	SHC	PI	TC	SHC	PI	TC	SHC	PI	TC	SHC	PI	TC	SHC	PI	TC	SHC	PI
(1.5+2.5) + (1.8+1.8+1.8)	12	18	6159	4225	1320	8277	6685	1860	7661	6171	2193	7626	6178	2558	7347	5906	2669	6882	5567	2863	6603	5295	2975	
	14	20	6159	4225	1320	8893	6685	1860	8277	6235	2218	8184	6178	2585	7905	5974	2697	7347	5567	2891	7068	5363	3030	
	16	22	6159	4496	1341	9510	6685	1885	8805	6235	2244	8742	6178	2613	8463	5974	2752	7905	5567	2947	7626	5363	3058	
	18	25	6604	4821	1361	10126	7264	1909	9334	6749	2270	9300	6721	2641	8928	6450	2752	8370	6042	2975	7998	5771	3086	
	19	27	6827	4983	1382	10478	7649	1934	9686	7071	2296	9672	7061	2669	9300	6789	2780	8742	6382	2975	8370	6110	3086	
	22	30	7569	4929	1382	11623	7585	1934	10742	7006	2296	10695	6993	2697	10323	6721	2808	9300	6517	3086	8649	6382	3253	
	24	32	8088	4929	1403	12416	7585	1958	11447	7006	2322	11439	6993	2697	10974	6721	2836	9672	6653	3169	8835	6585	3364	
(1.5+2.5) + (1.8+1.8+2.5)	12	18	6159	4225	1320	8277	6685	1860	7661	6171	2193	7626	6178	2558	7347	5906	2669	6882	5567	2863	6603	5295	2975	
	14	20	6159	4225	1320	8893	6685	1860	8277	6235	2218	8184	6178	2585	7905	5974	2697	7347	5567	2891	7068	5363	3030	
	16	22	6159	4496	1341	9510	6685	1885	8805	6235	2244	8742	6178	2613	8463	5974	2752	7905	5567	2947	7626	5363	3058	
	18	25	6604	4821	1361	10126	7264	1909	9334	6749	2270	9300	6721	2641	8928	6450	2752	8370	6042	2975	7998	5771	3086	
	19	27	6827	4983	1382	10478	7649	1934	9686	7071	2296	9672	7061	2669	9300	6789	2780	8742	6382	2975	8370	6110	3086	
	22	30	7569	4929	1382	11623	7585	1934	10742	7006	2296	10695	6993	2697	10323	6721	2808	9300	6517	3086	8649	6382	3253	
	24	32	8088	4929	1403	12416	7585	1958	11447	7006	2322	11439	6993	2697	10974	6721	2836	9672	6653	3169	8835	6585	3364	
(1.5+2.5) + (1.8+1.8+3.5)	12	18	6159	4225	1320	8277	6685	1860	7661	6171	2193	7626	6178	2558	7347	5906	2669	6882	5567	2863	6603	5295	2975	
	14	20	6159	4225	1320	8893	6685	1860	8277	6235	2218	8184	6178	2585	7905	5974	2697	7347	5567	2891	7068	5363	3030	
	16	22	6159	4496	1341	9510	6685	1885	8805	6235	2244	8742	6178	2613	8463	5974	2752	7905	5567	2947	7626	5363	3058	
	18	25	6604	4821	1361	10126	7264	1909	9334	6749	2270	9300	6721	2641	8928	6450	2752	8370	6042	2975	7998	5771	3086	
	19	27	6827	4983	1382	10478	7649	1934	9686	7071	2296	9672	7061	2669	9300	6789	2780	8742	6382	2975	8370	6110	3086	
	22	30	7569	4929	1382	11623	7585	1934	10742	7006	2296	10695	6993	2697	10323	6721	2808	9300	6517	3086	8649	6382	3253	
	24	32	8088	4929	1403	12416	7585	1958	11447	7006	2322	11439	6993	2697	10974	6721	2836	9672	6653	3169	8835	6585	3364	
(1.5+2.5) + (1.8+1.8+5.0)	12	18	6159	4225	1320	8277	6685	1860	7661	6171	2193	7626	6178	2558	7347	5906	2669	6882	5567	2863	6603	5295	2975	
	14	20	6159	4225	1320	8893	6685	1860	8277	6235	2218	8184	6178	2585	7905	5974	2697	7347	5567	2891	7068	5363	3030	
	16	22	6159	4496	1341	9510	6685	1885	8805	6235	2244	8742	6178	2613	8463	5974	2752	7905	5567	2947	7626	5363	3058	
	18	25	6604	4821	1361	10126	7264	1909	9334	6749	2270	9300	6721	2641	8928	6450	2752	8370	6042	2975	7998	5771	3086	
	19	27	6827	4983	1382	10478	7649	1934	9686	7071	2296	9672	7061	2669	9300	6789	2780	8742	6382	2975	8370	6110	3086	
	22	30	7569	4929	1382	11623	7585	1934	10742	7006	2296	10695	6993	2697	10323	6721	2808	9300	6517	3086	8649	6382	3253	
	24	32	8088	4929	1403	12416	7585	1958	11447	7006	2322	11439	6993	2697	10974	6721	2836	9672	6653	3169	8835	6585	3364	
(1.5+2.5) + (1.8+2.5+2.5)	12	18	6159	4225	1320	8277	6685	1860	7661	6171	2193	7626	6178	2558	7347	5906	2669	6882	5567	2863	6603	5295	2975	
	14	20	6159	4225	1320	8893	6685	1860	8277	6235	2218	8184	6178	2585	7905	5974	2697	7347	5567	2891	7068	5363	3030	
	16	22	6159	4496	1341	9510	6685	1885	8805	6235	2244	8742	6178	2613	8463	5974	2752	7905	5567	2947	7626	5363	3058	
	18	25	6604	4821	1361	10126	7264	1909	9334	6749	2270	9300	6721	2641	8928	6450	2752	8370	6042	2975	7998	5771	3086	
	19	27	6827	4983	1382	10478	7649	1934	9686	7071	2296	9672	7061	2669	9300	6789	2780	8742	6382	2975	8370	6110	3086	
	22	30	7569	4929	1382	11623	7585	1934	10742	7006	2296	10695	6993	2697	10323	6721	2808	9300	6517	3086	8649	6382	3253	
	24	32	8088	4929	1403	12416	7585	1958	11447	7006	2322	11439	6993	2697	10974	6721	2836	9672	6653	3169	8835	6585	3364	
(1.5+2.5) + (1.8+2.5+3.5)	12	18	6159	4225	1320	8277	6685	1860	7661	6171	2193	7626	6178	2558	7347	5906	2669	6882	5567	2863	6603	5295	2975	
	14	20	6159	4225	1320	8893	6685	1860	8277	6235	2218	8184	6178	2585	7905	5974	2697	7347	5567	2891	7068	5363	3030	
	16	22	6159	4496	1341	9510	6685	1885	8805	6235	2244	8742	6178	2613	8463	5974	2752	7905	5567	2947	7626	5363	3058	
	18	25	6604	4821	1361	10126	7264	1909	9334	6749	2270	9300	6721	2641	8928	6450	2752	8370	6042	2975	7998	5771	3086	
	19	27	6827	4983	1382	10478	7649	1934	9686	7071	2296	9672	7061	2669	9300	6789	2780	8742	6382	2975	8370	6110	3086	
	22	30	7569	4929	1382	11623	7585	1934	10742	7006	2296	10695	6993	2697	10323	6721	2808	9300	6517	3086	8649	6382	3253	
	24	32	8088	4929	1403	12416	7585	1958	11447	7006	2322	11439	6993	2697	10974	6721	2836	9672	6653	3169	8835	6585	3364	

		INDOOR		OUTDOOR TEMPERATURE (°CDB)																				
		EWB	EDB	-10			21			27			32			35			40			43		
		°C	°C	TC	SHC	PI	TC	SHC	PI	TC	SHC	PI	TC	SHC	PI	TC	SHC	PI	TC	SHC	PI	TC	SHC	PI
(1.5+2.5) + (1.8+3.5+3.5)	12	18	6159	4225	1320	8277	6685	1860	7661	6171	2193	7626	6178	2558	7347	5906	2669	6882	5567	2863	6603	5295	2975	
	14	20	6159	4225	1320	8893	6685	1860	8277	6235	2218	8184	6178	2585	7905	5974	2697	7347	5567	2891	7068	5363	3030	
	16	22	6159	4496	1341	9510	6685	1885	8805	6235	2244	8742	6178	2613	8463	5974	2752	7905	5567	2947	7626	5363	3058	
	18	25	6604	4821	1361	10126	7264	1909	9334	6749	2270	9300	6721	2641	8928	6450	2752	8370	6042	2975	7998	5771	3086	
	19	27	6827	4983	1382	10478	7649	1934	9686	7071	2296	9672	7061	2669	9300	6789	2780	8742	6382	2975	8370	6110	3086	
	22	30	7569	4929	1382	11623	7585	1934	10742	7006	2296	10695	6993	2697	10323	6721	2808	9300	6517	3086	8649	6382	3253	
	24	32	8088	4929	1403	12416	7585	1958	11447	7006	2322	11439	6993	2697	10974	6721	2836	9672	6653	3169	8835	6585	3364	
(1.5+2.5) + (2.5+2.5+2.5)	12	18	6159	4225	1320	8277	6685	1860	7661	6171	2193	7626	6178	2558	7347	5906	2669	6882	5567	2863	6603	5295	2975	
	14	20	6159	4225	1320	8893	6685	1860	8277	6235	2218	8184	6178	2585	7905	5974	2697	7347	5567	2891	7068	5363	3030	
	16	22	6159	4496	1341	9510	6685	1885	8805	6235	2244	8742	6178	2613	8463	5974	2752	7905	5567	2947	7626	5363	3058	
	18	25	6604	4821	1361	10126	7264	1909	9334	6749	2270	9300	6721	2641	8928	6450	2752	8370	6042	2975	7998	5771	3086	
	19	27	6827	4983	1382	10478	7649	1934	9686	7071	2296	9672	7061	2669	9300	6789	2780	8742	6382	2975	8370	6110	3086	
	22	30	7569	4929	1382	11623	7585	1934	10742	7006	2296	10695	6993	2697	10323	6721	2808	9300	6517	3086	8649	6382	3253	
	24	32	8088	4929	1403	12416	7585	1958	11447	7006	2322	11439	6993	2697	10974	6721	2836	9672	6653	3169	8835	6585	3364	
(1.5+2.5) + (2.5+2.5+3.5)	12	18	6159	4225	1320	8277	6685	1860	7661	6171	2193	7626	6178	2558	7347	5906	2669	6882	5567	2863	6603	5295	2975	
	14	20	6159	4225	1320	8893	6685	1860	8277	6235	2218	8184	6178	2585	7905	5974	2697	7347	5567	2891	7068	5363	3030	
	16	22	6159	4496	1341	9510	6685	1885	8805	6235	2244	8742	6178	2613	8463	5974	2752	7905	5567	2947	7626	5363	3058	
	18	25	6604	4821	1361	10126	7264	1909	9334	6749	2270	9300	6721	2641	8928	6450	2752	8370	6042	2975	7998	5771	3086	
	19	27	6827	4983	1382	10478	7649	1934	9686	7071	2296	9672	7061	2669	9300	6789	2780	8742	6382	2975	8370	6110	3086	
	22	30	7569	4929	1382	11623	7585	1934	10742	7006	2296	10695	6993	2697	10323	6721	2808	9300	6517	3086	8649	6382	3253	
	24	32	8088	4929	1403	12416	7585	1958	11447	7006	2322	11439	6993	2697	10974	6721	2836	9672	6653	3169	8835	6585	3364	
(1.5+3.5) + (1.5+1.5+1.5)	12	18	6291	4316	1353	8455	6829	1907	7825	6303	2248	7790	6311	2622	7505	6033	2736	7030	5687	2936	6745	5409	3050	
	14	20	6291	4316	1353	9085	6829	1907	8455	6369	2274	8360	6311	2651	8075	6103	2765	7505	5687	2964	7220	5479	3107	
	16	22	6291	4593	1375	9714	6829	1932	8995	6369	2301	8930	6311	2679	8645	6103	2822	8075	5687	3021	7790	5479	3135	
	18	25	6746	4925	1396	10344	7420	1957	9534	6894	2327	9500	6866	2708	9120	6588	2822	8550	6172	3050	8170	5895	3164	
	19	27	6973	5091	1417	10704	7814	1983	9894	7223	2354	9880	7212	2736	9500	6935	2850	8930	6519	3050	8550	6242	3164	
	22	30	7731	5035	1417	11873	7748	1983	10974	7157	2354	10925	7143	2765	10545	6866	2879	9500	6658	3164	8835	6519	3335	
	24	32	8262	5035	1438	12683	7748	2008	11693	7157	2380	11685	7143	2765	11210	6866	2907	9880	6796	3249	9025	6727	3449	
(1.5+3.5) + (1.5+1.5+1.8)	12	18	6490	4452	1401	8722	7044	1974	8072	6503	2327	8036	6510	2714	7742	6224	2832	7252	5866	3039	6958	5580	3157	
	14	20	6490	4452	1401	9372	7044	1974	8722	6570	2354	8624	6510	2744	8330	6296	2862	7742	5866	3068	7448	5652	3216	
	16	22	6490	4738	1423	10021	7044	2000	9279	6570	2381	9212	6510	2773	8918	6296	2921	8330	5866	3127	8036	5652	3245	
	18	25	6959	5080	1445	10671	7654	2026	9835	7112	2409	9800	7082	2803	9408	6796	2921	8820	6367	3157	8428	6081	3275	
	19	27	7194	5251	1467	11042	8060	2052	10207	7451	2436	10192	7440	2832	9800	7154	2950	9212	6725	3157	8820	6439	3275	
	22	30	7976	5194	1467	12248	7993	2052	11320	7383	2436	11270	7369	2862	10878	7082	2980	9800	6868	3275	9114	6725	3452	
	24	32	8523	5194	1488	13083	7993	2078	12062	7383	2464	12054	7369	2862	11564	7082	3009	10192	7011	3363	9310	6939	3570	
(1.5+3.5) + (1.5+1.5+2.5)	12	18	6821	4679	1463	9167	7404	2061	8484	6834	2429	8446	6842	2834	8137	6542	2957	7622	6166	3172	7313	5865	3296	
	14	20	6821	4679	1463	9850	7404	2061	9167	6905	2458	9064	6842	2864	8755	6617	2988	8137	6166	3203	7828	5940	3357	
	16	22	6821	4979	1486	10532	7404	2088	9752	6905	2486	9682	6842	2895	9373	6617	3049	8755	6166	3265	8446	5940	3388	
	18	25	7314	5339	1508	11215	8045	2115	10337	7475	2515	10300	7444	2926	9888	7143	3049	9270	6692	3296	8858	6391	3419	
	19	27	7561	5519	1531	11605	8472	2143	10727	7831	2543	10712	7820	2957	10300	7519	3080	9682	7068	3296	9270	6767	3419	
	22	30	8382	5459	1531	12873	8400	2143	11898	7760	2543	11845	7745	2988	11433	7444	3111	10300	7218	3419	9579	7068	3604	
	24	32	8958	5459	1554	13751	8400	2170	12678	7760	2572	12669	7745	2988	12154	7444	3142	10712	7369	3511	9785	7293	3727	

		INDOOR		OUTDOOR TEMPERATURE (°CDB)																				
		EWB	EDB	-10			21			27			32			35			40			43		
		°C	°C	TC	SHC	PI	TC	SHC	PI	TC	SHC	PI	TC	SHC	PI	TC	SHC	PI	TC	SHC	PI	TC	SHC	PI
(1.5+3.5) + (1.5+1.5+3.5)	12	18	6821	4679	1463	9167	7404	2061	8484	6834	2429	8446	6842	2834	8137	6542	2957	7622	6166	3172	7313	5865	3296	
	14	20	6821	4679	1463	9850	7404	2061	9167	6905	2458	9064	6842	2864	8755	6617	2988	8137	6166	3203	7828	5940	3357	
	16	22	6821	4979	1486	10532	7404	2088	9752	6905	2486	9682	6842	2895	9373	6617	3049	8755	6166	3265	8446	5940	3388	
	18	25	7314	5339	1508	11215	8045	2115	10337	7475	2515	10300	7444	2926	9888	7143	3049	9270	6692	3296	8858	6391	3419	
	19	27	7561	5519	1531	11605	8472	2143	10727	7831	2543	10712	7820	2957	10300	7519	3080	9682	7068	3296	9270	6767	3419	
	22	30	8382	5459	1531	12873	8400	2143	11898	7760	2543	11845	7745	2988	11433	7444	3111	10300	7218	3419	9579	7068	3604	
	24	32	8958	5459	1554	13751	8400	2170	12678	7760	2572	12669	7745	2988	12154	7444	3142	10712	7369	3511	9785	7293	3727	
(1.5+3.5) + (1.5+1.5+5.0)	12	18	6821	4679	1463	9167	7404	2061	8484	6834	2429	8446	6842	2834	8137	6542	2957	7622	6166	3172	7313	5865	3296	
	14	20	6821	4679	1463	9850	7404	2061	9167	6905	2458	9064	6842	2864	8755	6617	2988	8137	6166	3203	7828	5940	3357	
	16	22	6821	4979	1486	10532	7404	2088	9752	6905	2486	9682	6842	2895	9373	6617	3049	8755	6166	3265	8446	5940	3388	
	18	25	7314	5339	1508	11215	8045	2115	10337	7475	2515	10300	7444	2926	9888	7143	3049	9270	6692	3296	8858	6391	3419	
	19	27	7561	5519	1531	11605	8472	2143	10727	7831	2543	10712	7820	2957	10300	7519	3080	9682	7068	3296	9270	6767	3419	
	22	30	8382	5459	1531	12873	8400	2143	11898	7760	2543	11845	7745	2988	11433	7444	3111	10300	7218	3419	9579	7068	3604	
	24	32	8958	5459	1554	13751	8400	2170	12678	7760	2572	12669	7745	2988	12154	7444	3142	10712	7369	3511	9785	7293	3727	
(1.5+3.5) + (1.5+1.8+1.8)	12	18	6689	4589	1439	8989	7260	2028	8320	6702	2390	8282	6709	2788	7979	6415	2909	7474	6046	3121	7171	5751	3242	
	14	20	6689	4589	1439	9658	7260	2028	8989	6771	2418	8888	6709	2818	8585	6488	2939	7979	6046	3151	7676	5825	3303	
	16	22	6689	4883	1461	10328	7260	2054	9563	6771	2446	9494	6709	2848	9191	6488	3000	8585	6046	3212	8282	5825	3333	
	18	25	7172	5236	1484	10997	7888	2081	10137	7330	2474	10100	7299	2879	9696	7004	3000	9090	6562	3242	8686	6267	3363	
	19	27	7414	5412	1506	11380	8307	2108	10519	7679	2502	10504	7668	2909	10100	7373	3030	9494	6931	3242	9090	6636	3363	
	22	30	8220	5353	1506	12623	8237	2108	11667	7609	2502	11615	7594	2939	11211	7299	3060	10100	7078	3363	9393	6931	3545	
	24	32	8784	5353	1529	13484	8237	2134	12432	7609	2530	12423	7594	2939	11918	7299	3091	10504	7226	3454	9595	7152	3666	
(1.5+3.5) + (1.5+1.8+2.5)	12	18	6821	4679	1463	9167	7404	2061	8484	6834	2429	8446	6842	2834	8137	6542	2957	7622	6166	3172	7313	5865	3296	
	14	20	6821	4679	1463	9850	7404	2061	9167	6905	2458	9064	6842	2864	8755	6617	2988	8137	6166	3203	7828	5940	3357	
	16	22	6821	4979	1486	10532	7404	2088	9752	6905	2486	9682	6842	2895	9373	6617	3049	8755	6166	3265	8446	5940	3388	
	18	25	7314	5339	1508	11215	8045	2115	10337	7475	2515	10300	7444	2926	9888	7143	3049	9270	6692	3296	8858	6391	3419	
	19	27	7561	5519	1531	11605	8472	2143	10727	7831	2543	10712	7820	2957	10300	7519	3080	9682	7068	3296	9270	6767	3419	
	22	30	8382	5459	1531	12873	8400	2143	11898	7760	2543	11845	7745	2988	11433	7444	3111	10300	7218	3419	9579	7068	3604	
	24	32	8958	5459	1554	13751	8400	2170	12678	7760	2572	12669	7745	2988	12154	7444	3142	10712	7369	3511	9785	7293	3727	
(1.5+3.5) + (1.5+1.8+3.5)	12	18	6821	4679	1463	9167	7404	2061	8484	6834	2429	8446	6842	2834	8137	6542	2957	7622	6166	3172	7313	5865	3296	
	14	20	6821	4679	1463	9850	7404	2061	9167	6905	2458	9064	6842	2864	8755	6617	2988	8137	6166	3203	7828	5940	3357	
	16	22	6821	4979	1486	10532	7404	2088	9752	6905	2486	9682	6842	2895	9373	6617	3049	8755	6166	3265	8446	5940	3388	
	18	25	7314	5339	1508	11215	8045	2115	10337	7475	2515	10300	7444	2926	9888	7143	3049	9270	6692	3296	8858	6391	3419	
	19	27	7561	5519	1531	11605	8472	2143	10727	7831	2543	10712	7820	2957	10300	7519	3080	9682	7068	3296	9270	6767	3419	
	22	30	8382	5459	1531	12873	8400	2143	11898	7760	2543	11845	7745	2988	11433	7444	3111	10300	7218	3419	9579	7068	3604	
	24	32	8958	5459	1554	13751	8400	2170	12678	7760	2572	12669	7745	2988	12154	7444	3142	10712	7369	3511	9785	7293	3727	
(1.5+3.5) + (1.5+1.8+5.0)	12	18	6821	4679	1463	9167	7404	2061	8484	6834	2429	8446	6842	2834	8137	6542	2957	7622	6166	3172	7313	5865	3296	
	14	20	6821	4679	1463	9850	7404	2061	9167	6905	2458	9064	6842	2864	8755	6617	2988	8137	6166	3203	7828	5940	3357	
	16	22	6821	4979	1486	10532	7404	2088	9752	6905	2486	9682	6842	2895	9373	6617	3049	8755	6166	3265	8446	5940	3388	
	18	25	7314	5339	1508	11215	8045	2115	10337	7475	2515	10300	7444	2926	9888	7143	3049	9270	6692	3296	8858	6391	3419	
	19	27	7561	5519	1531	11605	8472	2143	10727	7831	2543	10712	7820	2957	10300	7519	3080	9682	7068	3296	9270	6767	3419	
	22	30	8382	5459	1531	12873	8400	2143	11898	7760	2543	11845	7745	2988	11433	7444	3111	10300	7218	3419	9579	7068	3604	
	24	32	8958	5459	1554	13751	8400	2170	12678	7760	2572	12669	7745	2988	12154	7444	3142	10712	7369	3511	9785	7293	3727	

		INDOOR		OUTDOOR TEMPERATURE (°CDB)																				
		EWB	EDB	-10			21			27			32			35			40			43		
		°C	°C	TC	SHC	PI	TC	SHC	PI	TC	SHC	PI	TC	SHC	PI	TC	SHC	PI	TC	SHC	PI	TC	SHC	PI
(1.5+3.5) + (1.5+2.5+2.5)	12	18	6821	4679	1463	9167	7404	2061	8484	6834	2429	8446	6842	2834	8137	6542	2957	7622	6166	3172	7313	5865	3296	
	14	20	6821	4679	1463	9850	7404	2061	9167	6905	2458	9064	6842	2864	8755	6617	2988	8137	6166	3203	7828	5940	3357	
	16	22	6821	4979	1486	10532	7404	2088	9752	6905	2486	9682	6842	2895	9373	6617	3049	8755	6166	3265	8446	5940	3388	
	18	25	7314	5339	1508	11215	8045	2115	10337	7475	2515	10300	7444	2926	9888	7143	3049	9270	6692	3296	8858	6391	3419	
	19	27	7561	5519	1531	11605	8472	2143	10727	7831	2543	10712	7820	2957	10300	7519	3080	9682	7068	3296	9270	6767	3419	
	22	30	8382	5459	1531	12873	8400	2143	11898	7760	2543	11845	7745	2988	11433	7444	3111	10300	7218	3419	9579	7068	3604	
	24	32	8958	5459	1554	13751	8400	2170	12678	7760	2572	12669	7745	2988	12154	7444	3142	10712	7369	3511	9785	7293	3727	
(1.5+3.5) + (1.5+2.5+3.5)	12	18	6821	4679	1463	9167	7404	2061	8484	6834	2429	8446	6842	2834	8137	6542	2957	7622	6166	3172	7313	5865	3296	
	14	20	6821	4679	1463	9850	7404	2061	9167	6905	2458	9064	6842	2864	8755	6617	2988	8137	6166	3203	7828	5940	3357	
	16	22	6821	4979	1486	10532	7404	2088	9752	6905	2486	9682	6842	2895	9373	6617	3049	8755	6166	3265	8446	5940	3388	
	18	25	7314	5339	1508	11215	8045	2115	10337	7475	2515	10300	7444	2926	9888	7143	3049	9270	6692	3296	8858	6391	3419	
	19	27	7561	5519	1531	11605	8472	2143	10727	7831	2543	10712	7820	2957	10300	7519	3080	9682	7068	3296	9270	6767	3419	
	22	30	8382	5459	1531	12873	8400	2143	11898	7760	2543	11845	7745	2988	11433	7444	3111	10300	7218	3419	9579	7068	3604	
	24	32	8958	5459	1554	13751	8400	2170	12678	7760	2572	12669	7745	2988	12154	7444	3142	10712	7369	3511	9785	7293	3727	
(1.5+3.5) + (1.5+3.5+3.5)	12	18	6821	4679	1463	9167	7404	2061	8484	6834	2429	8446	6842	2834	8137	6542	2957	7622	6166	3172	7313	5865	3296	
	14	20	6821	4679	1463	9850	7404	2061	9167	6905	2458	9064	6842	2864	8755	6617	2988	8137	6166	3203	7828	5940	3357	
	16	22	6821	4979	1486	10532	7404	2088	9752	6905	2486	9682	6842	2895	9373	6617	3049	8755	6166	3265	8446	5940	3388	
	18	25	7314	5339	1508	11215	8045	2115	10337	7475	2515	10300	7444	2926	9888	7143	3049	9270	6692	3296	8858	6391	3419	
	19	27	7561	5519	1531	11605	8472	2143	10727	7831	2543	10712	7820	2957	10300	7519	3080	9682	7068	3296	9270	6767	3419	
	22	30	8382	5459	1531	12873	8400	2143	11898	7760	2543	11845	7745	2988	11433	7444	3111	10300	7218	3419	9579	7068	3604	
	24	32	8958	5459	1554	13751	8400	2170	12678	7760	2572	12669	7745	2988	12154	7444	3142	10712	7369	3511	9785	7293	3727	
(1.5+3.5) + (1.8+1.8+1.8)	12	18	6821	4679	1463	9167	7404	2061	8484	6834	2429	8446	6842	2834	8137	6542	2957	7622	6166	3172	7313	5865	3296	
	14	20	6821	4679	1463	9850	7404	2061	9167	6905	2458	9064	6842	2864	8755	6617	2988	8137	6166	3203	7828	5940	3357	
	16	22	6821	4979	1486	10532	7404	2088	9752	6905	2486	9682	6842	2895	9373	6617	3049	8755	6166	3265	8446	5940	3388	
	18	25	7314	5339	1508	11215	8045	2115	10337	7475	2515	10300	7444	2926	9888	7143	3049	9270	6692	3296	8858	6391	3419	
	19	27	7561	5519	1531	11605	8472	2143	10727	7831	2543	10712	7820	2957	10300	7519	3080	9682	7068	3296	9270	6767	3419	
	22	30	8382	5459	1531	12873	8400	2143	11898	7760	2543	11845	7745	2988	11433	7444	3111	10300	7218	3419	9579	7068	3604	
	24	32	8958	5459	1554	13751	8400	2170	12678	7760	2572	12669	7745	2988	12154	7444	3142	10712	7369	3511	9785	7293	3727	
(1.5+3.5) + (1.8+1.8+2.5)	12	18	6821	4679	1463	9167	7404	2061	8484	6834	2429	8446	6842	2834	8137	6542	2957	7622	6166	3172	7313	5865	3296	
	14	20	6821	4679	1463	9850	7404	2061	9167	6905	2458	9064	6842	2864	8755	6617	2988	8137	6166	3203	7828	5940	3357	
	16	22	6821	4979	1486	10532	7404	2088	9752	6905	2486	9682	6842	2895	9373	6617	3049	8755	6166	3265	8446	5940	3388	
	18	25	7314	5339	1508	11215	8045	2115	10337	7475	2515	10300	7444	2926	9888	7143	3049	9270	6692	3296	8858	6391	3419	
	19	27	7561	5519	1531	11605	8472	2143	10727	7831	2543	10712	7820	2957	10300	7519	3080	9682	7068	3296	9270	6767	3419	
	22	30	8382	5459	1531	12873	8400	2143	11898	7760	2543	11845	7745	2988	11433	7444	3111	10300	7218	3419	9579	7068	3604	
	24	32	8958	5459	1554	13751	8400	2170	12678	7760	2572	12669	7745	2988	12154	7444	3142	10712	7369	3511	9785	7293	3727	
(1.5+3.5) + (1.8+1.8+3.5)	12	18	6821	4679	1463	9167	7404	2061	8484	6834	2429	8446	6842	2834	8137	6542	2957	7622	6166	3172	7313	5865	3296	
	14	20	6821	4679	1463	9850	7404	2061	9167	6905	2458	9064	6842	2864	8755	6617	2988	8137	6166	3203	7828	5940	3357	
	16	22	6821	4979	1486	10532	7404	2088	9752	6905	2486	9682	6842	2895	9373	6617	3049	8755	6166	3265	8446	5940	3388	
	18	25	7314	5339	1508	11215	8045	2115	10337	7475	2515	10300	7444	2926	9888	7143	3049	9270	6692	3296	8858	6391	3419	
	19	27	7561	5519	1531	11605	8472	2143	10727	7831	2543	10712	7820	2957	10300	7519	3080	9682	7068	3296	9270	6767	3419	
	22	30	8382	5459	1531	12873	8400	2143	11898	7760	2543	11845	7745	2988	11433	7444	3111	10300	7218	3419	9579	7068	3604	
	24	32	8958	5459	1554	13751	8400	2170	12678	7760	2572	12669	7745	2988	12154	7444	3142	10712	7369	3511	9785	7293	3727	

		INDOOR		OUTDOOR TEMPERATURE (°CDB)																				
		EWB	EDB	-10			21			27			32			35			40			43		
		°C	°C	TC	SHC	PI	TC	SHC	PI	TC	SHC	PI	TC	SHC	PI	TC	SHC	PI	TC	SHC	PI	TC	SHC	PI
(1.5+3.5) + (1.8+1.8+5.0)	12	18	6821	4679	1463	9167	7404	2061	8484	6834	2429	8446	6842	2834	8137	6542	2957	7622	6166	3172	7313	5865	3296	
	14	20	6821	4679	1463	9850	7404	2061	9167	6905	2458	9064	6842	2864	8755	6617	2988	8137	6166	3203	7828	5940	3357	
	16	22	6821	4979	1486	10532	7404	2088	9752	6905	2486	9682	6842	2895	9373	6617	3049	8755	6166	3265	8446	5940	3388	
	18	25	7314	5339	1508	11215	8045	2115	10337	7475	2515	10300	7444	2926	9888	7143	3049	9270	6692	3296	8858	6391	3419	
	19	27	7561	5519	1531	11605	8472	2143	10727	7831	2543	10712	7820	2957	10300	7519	3080	9682	7068	3296	9270	6767	3419	
	22	30	8382	5459	1531	12873	8400	2143	11898	7760	2543	11845	7745	2988	11433	7444	3111	10300	7218	3419	9579	7068	3604	
	24	32	8958	5459	1554	13751	8400	2170	12678	7760	2572	12669	7745	2988	12154	7444	3142	10712	7369	3511	9785	7293	3727	
(1.5+3.5) + (1.8+2.5+2.5)	12	18	6821	4679	1463	9167	7404	2061	8484	6834	2429	8446	6842	2834	8137	6542	2957	7622	6166	3172	7313	5865	3296	
	14	20	6821	4679	1463	9850	7404	2061	9167	6905	2458	9064	6842	2864	8755	6617	2988	8137	6166	3203	7828	5940	3357	
	16	22	6821	4979	1486	10532	7404	2088	9752	6905	2486	9682	6842	2895	9373	6617	3049	8755	6166	3265	8446	5940	3388	
	18	25	7314	5339	1508	11215	8045	2115	10337	7475	2515	10300	7444	2926	9888	7143	3049	9270	6692	3296	8858	6391	3419	
	19	27	7561	5519	1531	11605	8472	2143	10727	7831	2543	10712	7820	2957	10300	7519	3080	9682	7068	3296	9270	6767	3419	
	22	30	8382	5459	1531	12873	8400	2143	11898	7760	2543	11845	7745	2988	11433	7444	3111	10300	7218	3419	9579	7068	3604	
	24	32	8958	5459	1554	13751	8400	2170	12678	7760	2572	12669	7745	2988	12154	7444	3142	10712	7369	3511	9785	7293	3727	
(1.5+3.5) + (1.8+2.5+3.5)	12	18	6821	4679	1463	9167	7404	2061	8484	6834	2429	8446	6842	2834	8137	6542	2957	7622	6166	3172	7313	5865	3296	
	14	20	6821	4679	1463	9850	7404	2061	9167	6905	2458	9064	6842	2864	8755	6617	2988	8137	6166	3203	7828	5940	3357	
	16	22	6821	4979	1486	10532	7404	2088	9752	6905	2486	9682	6842	2895	9373	6617	3049	8755	6166	3265	8446	5940	3388	
	18	25	7314	5339	1508	11215	8045	2115	10337	7475	2515	10300	7444	2926	9888	7143	3049	9270	6692	3296	8858	6391	3419	
	19	27	7561	5519	1531	11605	8472	2143	10727	7831	2543	10712	7820	2957	10300	7519	3080	9682	7068	3296	9270	6767	3419	
	22	30	8382	5459	1531	12873	8400	2143	11898	7760	2543	11845	7745	2988	11433	7444	3111	10300	7218	3419	9579	7068	3604	
	24	32	8958	5459	1554	13751	8400	2170	12678	7760	2572	12669	7745	2988	12154	7444	3142	10712	7369	3511	9785	7293	3727	
(1.5+3.5) + (1.8+3.5+3.5)	12	18	6821	4679	1463	9167	7404	2061	8484	6834	2429	8446	6842	2834	8137	6542	2957	7622	6166	3172	7313	5865	3296	
	14	20	6821	4679	1463	9850	7404	2061	9167	6905	2458	9064	6842	2864	8755	6617	2988	8137	6166	3203	7828	5940	3357	
	16	22	6821	4979	1486	10532	7404	2088	9752	6905	2486	9682	6842	2895	9373	6617	3049	8755	6166	3265	8446	5940	3388	
	18	25	7314	5339	1508	11215	8045	2115	10337	7475	2515	10300	7444	2926	9888	7143	3049	9270	6692	3296	8858	6391	3419	
	19	27	7561	5519	1531	11605	8472	2143	10727	7831	2543	10712	7820	2957	10300	7519	3080	9682	7068	3296	9270	6767	3419	
	22	30	8382	5459	1531	12873	8400	2143	11898	7760	2543	11845	7745	2988	11433	7444	3111	10300	7218	3419	9579	7068	3604	
	24	32	8958	5459	1554	13751	8400	2170	12678	7760	2572	12669	7745	2988	12154	7444	3142	10712	7369	3511	9785	7293	3727	
(1.5+3.5) + (2.5+2.5+2.5)	12	18	6821	4679	1463	9167	7404	2061	8484	6834	2429	8446	6842	2834	8137	6542	2957	7622	6166	3172	7313	5865	3296	
	14	20	6821	4679	1463	9850	7404	2061	9167	6905	2458	9064	6842	2864	8755	6617	2988	8137	6166	3203	7828	5940	3357	
	16	22	6821	4979	1486	10532	7404	2088	9752	6905	2486	9682	6842	2895	9373	6617	3049	8755	6166	3265	8446	5940	3388	
	18	25	7314	5339	1508	11215	8045	2115	10337	7475	2515	10300	7444	2926	9888	7143	3049	9270	6692	3296	8858	6391	3419	
	19	27	7561	5519	1531	11605	8472	2143	10727	7831	2543	10712	7820	2957	10300	7519	3080	9682	7068	3296	9270	6767	3419	
	22	30	8382	5459	1531	12873	8400	2143	11898	7760	2543	11845	7745	2988	11433	7444	3111	10300	7218	3419	9579	7068	3604	
	24	32	8958	5459	1554	13751	8400	2170	12678	7760	2572	12669	7745	2988	12154	7444	3142	10712	7369	3511	9785	7293	3727	

		INDOOR		OUTDOOR TEMPERATURE (°CDB)																				
		EWB	EDB	-10			21			27			32			35			40			43		
		°C	°C	TC	SHC	PI	TC	SHC	PI	TC	SHC	PI	TC	SHC	PI	TC	SHC	PI	TC	SHC	PI	TC	SHC	PI
(1.5+5.0) + (1.5+1.5+1.5)	12	18	6490	4452	1410	8722	7044	1988	8072	6503	2342	8036	6510	2732	7742	6224	2851	7252	5866	3059	6958	5580	3178	
	14	20	6490	4452	1410	9372	7044	1988	8722	6570	2370	8624	6510	2762	8330	6296	2881	7742	5866	3089	7448	5652	3237	
	16	22	6490	4738	1432	10021	7044	2014	9279	6570	2398	9212	6510	2792	8918	6296	2940	8330	5866	3148	8036	5652	3267	
	18	25	6959	5080	1455	10671	7654	2040	9835	7112	2425	9800	7082	2822	9408	6796	2940	8820	6367	3178	8428	6081	3297	
	19	27	7194	5251	1477	11042	8060	2066	10207	7451	2453	10192	7440	2851	9800	7154	2970	9212	6725	3178	8820	6439	3297	
	22	30	7976	5194	1477	12248	7993	2066	11320	7383	2453	11270	7369	2881	10878	7082	3000	9800	6868	3297	9114	6725	3475	
	24	32	8523	5194	1499	13083	7993	2092	12062	7383	2480	12054	7369	2881	11564	7082	3029	10192	7011	3386	9310	6939	3594	
(1.5+5.0) + (1.5+1.5+1.8)	12	18	6689	4589	1458	8989	7260	2054	8320	6702	2421	8282	6709	2824	7979	6415	2947	7474	6046	3162	7171	5751	3285	
	14	20	6689	4589	1458	9658	7260	2054	8989	6771	2450	8888	6709	2855	8585	6488	2978	7979	6046	3193	7676	5825	3346	
	16	22	6689	4883	1481	10328	7260	2081	9563	6771	2478	9494	6709	2886	9191	6488	3039	8585	6046	3254	8282	5825	3377	
	18	25	7172	5236	1503	10997	7888	2109	10137	7330	2507	10100	7299	2917	9696	7004	3039	9090	6562	3285	8686	6267	3408	
	19	27	7414	5412	1526	11380	8307	2136	10519	7679	2535	10504	7668	2947	10100	7373	3070	9494	6931	3285	9090	6636	3408	
	22	30	8220	5353	1526	12623	8237	2136	11667	7609	2535	11615	7594	2978	11211	7299	3101	10100	7078	3408	9393	6931	3592	
	24	32	8784	5353	1549	13484	8237	2163	12432	7609	2564	12423	7594	2978	11918	7299	3131	10504	7226	3500	9595	7152	3715	
(1.5+5.0) + (1.5+1.5+2.5)	12	18	7020	4816	1520	9434	7619	2141	8731	7033	2524	8692	7042	2944	8374	6732	3072	7844	6345	3296	7526	6036	3424	
	14	20	7020	4816	1520	10137	7619	2141	9434	7107	2554	9328	7042	2976	9010	6809	3104	8374	6345	3328	8056	6113	3488	
	16	22	7020	5124	1543	10839	7619	2170	10036	7107	2583	9964	7042	3008	9646	6809	3168	9010	6345	3392	8692	6113	3520	
	18	25	7527	5495	1567	11542	8279	2198	10638	7693	2613	10600	7661	3040	10176	7351	3168	9540	6887	3424	9116	6577	3552	
	19	27	7781	5680	1591	11943	8718	2226	11040	8059	2643	11024	8048	3072	10600	7738	3200	9964	7274	3424	9540	6964	3552	
	22	30	8627	5618	1591	13248	8645	2226	12244	7986	2643	12190	7970	3104	11766	7661	3232	10600	7428	3552	9858	7274	3744	
	24	32	9219	5618	1615	14151	8645	2254	13047	7986	2672	13038	7970	3104	12508	7661	3264	11024	7583	3648	10070	7506	3872	
(1.5+5.0) + (1.5+1.5+3.5)	12	18	7020	4816	1520	9434	7619	2141	8731	7033	2524	8692	7042	2944	8374	6732	3072	7844	6345	3296	7526	6036	3424	
	14	20	7020	4816	1520	10137	7619	2141	9434	7107	2554	9328	7042	2976	9010	6809	3104	8374	6345	3328	8056	6113	3488	
	16	22	7020	5124	1543	10839	7619	2170	10036	7107	2583	9964	7042	3008	9646	6809	3168	9010	6345	3392	8692	6113	3520	
	18	25	7527	5495	1567	11542	8279	2198	10638	7693	2613	10600	7661	3040	10176	7351	3168	9540	6887	3424	9116	6577	3552	
	19	27	7781	5680	1591	11943	8718	2226	11040	8059	2643	11024	8048	3072	10600	7738	3200	9964	7274	3424	9540	6964	3552	
	22	30	8627	5618	1591	13248	8645	2226	12244	7986	2643	12190	7970	3104	11766	7661	3232	10600	7428	3552	9858	7274	3744	
	24	32	9219	5618	1615	14151	8645	2254	13047	7986	2672	13038	7970	3104	12508	7661	3264	11024	7583	3648	10070	7506	3872	
(1.5+5.0) + (1.5+1.5+5.0)	12	18	7020	4816	1520	9434	7619	2141	8731	7033	2524	8692	7042	2944	8374	6732	3072	7844	6345	3296	7526	6036	3424	
	14	20	7020	4816	1520	10137	7619	2141	9434	7107	2554	9328	7042	2976	9010	6809	3104	8374	6345	3328	8056	6113	3488	
	16	22	7020	5124	1543	10839	7619	2170	10036	7107	2583	9964	7042	3008	9646	6809	3168	9010	6345	3392	8692	6113	3520	
	18	25	7527	5495	1567	11542	8279	2198	10638	7693	2613	10600	7661	3040	10176	7351	3168	9540	6887	3424	9116	6577	3552	
	19	27	7781	5680	1591	11943	8718	2226	11040	8059	2643	11024	8048	3072	10600	7738	3200	9964	7274	3424	9540	6964	3552	
	22	30	8627	5618	1591	13248	8645	2226	12244	7986	2643	12190	7970	3104	11766	7661	3232	10600	7428	3552	9858	7274	3744	
	24	32	9219	5618	1615	14151	8645	2254	13047	7986	2672	13038	7970	3104	12508	7661	3264	11024	7583	3648	10070	7506	3872	
(1.5+5.0) + (1.5+1.8+1.8)	12	18	6887	4725	1496	9256	7476	2108	8567	6901	2484	8528	6909	2898	8216	6605	3024	7696	6225	3245	7384	5922	3371	
	14	20	6887	4725	1496	9945	7476	2108	9256	6973	2514	9152	6909	2930	8840	6681	3056	8216	6225	3276	7904	5998	3434	
	16	22	6887	5028	1519	10635	7476	2136	9847	6973	2543	9776	6909	2961	9464	6681	3119	8840	6225	3339	8528	5998	3465	
	18	25	7385	5391	1543	11324	8123	2163	10438	7548	2572	10400	7516	2993	9984	7212	3119	9360	6757	3371	8944	6453	3497	
	19	27	7634	5573	1566	11718	8554	2191	10831	7907	2601	10816	7896	3024	10400	7592	3150	9776	7136	3371	9360	6833	3497	
	22	30	8464	5512	1566	12998	8482	2191	12013	7835	2601	11960	7820	3056	11544	7516	3182	10400	7288	3497	9672	7136	3686	
	24	32	9045	5512	1589	13884	8482	2219	12801	7835	2631	12792	7820	3056	12272	7516	3213	10816	7440	3591	9880	7364	3812	

		INDOOR		OUTDOOR TEMPERATURE (°CDB)																				
		EWB	EDB	-10			21			27			32			35			40			43		
		°C	°C	TC	SHC	PI	TC	SHC	PI	TC	SHC	PI	TC	SHC	PI	TC	SHC	PI	TC	SHC	PI	TC	SHC	PI
(1.5+5.0) + (1.5+1.8+2.5)	12	18	7020	4816	1520	9434	7619	2141	8731	7033	2524	8692	7042	2944	8374	6732	3072	7844	6345	3296	7526	6036	3424	
	14	20	7020	4816	1520	10137	7619	2141	9434	7107	2554	9328	7042	2976	9010	6809	3104	8374	6345	3328	8056	6113	3488	
	16	22	7020	5124	1543	10839	7619	2170	10036	7107	2583	9964	7042	3008	9646	6809	3168	9010	6345	3392	8692	6113	3520	
	18	25	7527	5495	1567	11542	8279	2198	10638	7693	2613	10600	7661	3040	10176	7351	3168	9540	6887	3424	9116	6577	3552	
	19	27	7781	5680	1591	11943	8718	2226	11040	8059	2643	11024	8048	3072	10600	7738	3200	9964	7274	3424	9540	6964	3552	
	22	30	8627	5618	1591	13248	8645	2226	12244	7986	2643	12190	7970	3104	11766	7661	3232	10600	7428	3552	9858	7274	3744	
	24	32	9219	5618	1615	14151	8645	2254	13047	7986	2672	13038	7970	3104	12508	7661	3264	11024	7583	3648	10070	7506	3872	
(1.5+5.0) + (1.5+1.8+3.5)	12	18	7020	4816	1520	9434	7619	2141	8731	7033	2524	8692	7042	2944	8374	6732	3072	7844	6345	3296	7526	6036	3424	
	14	20	7020	4816	1520	10137	7619	2141	9434	7107	2554	9328	7042	2976	9010	6809	3104	8374	6345	3328	8056	6113	3488	
	16	22	7020	5124	1543	10839	7619	2170	10036	7107	2583	9964	7042	3008	9646	6809	3168	9010	6345	3392	8692	6113	3520	
	18	25	7527	5495	1567	11542	8279	2198	10638	7693	2613	10600	7661	3040	10176	7351	3168	9540	6887	3424	9116	6577	3552	
	19	27	7781	5680	1591	11943	8718	2226	11040	8059	2643	11024	8048	3072	10600	7738	3200	9964	7274	3424	9540	6964	3552	
	22	30	8627	5618	1591	13248	8645	2226	12244	7986	2643	12190	7970	3104	11766	7661	3232	10600	7428	3552	9858	7274	3744	
	24	32	9219	5618	1615	14151	8645	2254	13047	7986	2672	13038	7970	3104	12508	7661	3264	11024	7583	3648	10070	7506	3872	
(1.5+5.0) + (1.5+1.8+5.0)	12	18	7020	4816	1520	9434	7619	2141	8731	7033	2524	8692	7042	2944	8374	6732	3072	7844	6345	3296	7526	6036	3424	
	14	20	7020	4816	1520	10137	7619	2141	9434	7107	2554	9328	7042	2976	9010	6809	3104	8374	6345	3328	8056	6113	3488	
	16	22	7020	5124	1543	10839	7619	2170	10036	7107	2583	9964	7042	3008	9646	6809	3168	9010	6345	3392	8692	6113	3520	
	18	25	7527	5495	1567	11542	8279	2198	10638	7693	2613	10600	7661	3040	10176	7351	3168	9540	6887	3424	9116	6577	3552	
	19	27	7781	5680	1591	11943	8718	2226	11040	8059	2643	11024	8048	3072	10600	7738	3200	9964	7274	3424	9540	6964	3552	
	22	30	8627	5618	1591	13248	8645	2226	12244	7986	2643	12190	7970	3104	11766	7661	3232	10600	7428	3552	9858	7274	3744	
	24	32	9219	5618	1615	14151	8645	2254	13047	7986	2672	13038	7970	3104	12508	7661	3264	11024	7583	3648	10070	7506	3872	
(1.5+5.0) + (1.5+2.5+2.5)	12	18	7020	4816	1520	9434	7619	2141	8731	7033	2524	8692	7042	2944	8374	6732	3072	7844	6345	3296	7526	6036	3424	
	14	20	7020	4816	1520	10137	7619	2141	9434	7107	2554	9328	7042	2976	9010	6809	3104	8374	6345	3328	8056	6113	3488	
	16	22	7020	5124	1543	10839	7619	2170	10036	7107	2583	9964	7042	3008	9646	6809	3168	9010	6345	3392	8692	6113	3520	
	18	25	7527	5495	1567	11542	8279	2198	10638	7693	2613	10600	7661	3040	10176	7351	3168	9540	6887	3424	9116	6577	3552	
	19	27	7781	5680	1591	11943	8718	2226	11040	8059	2643	11024	8048	3072	10600	7738	3200	9964	7274	3424	9540	6964	3552	
	22	30	8627	5618	1591	13248	8645	2226	12244	7986	2643	12190	7970	3104	11766	7661	3232	10600	7428	3552	9858	7274	3744	
	24	32	9219	5618	1615	14151	8645	2254	13047	7986	2672	13038	7970	3104	12508	7661	3264	11024	7583	3648	10070	7506	3872	
(1.5+5.0) + (1.5+2.5+3.5)	12	18	7020	4816	1520	9434	7619	2141	8731	7033	2524	8692	7042	2944	8374	6732	3072	7844	6345	3296	7526	6036	3424	
	14	20	7020	4816	1520	10137	7619	2141	9434	7107	2554	9328	7042	2976	9010	6809	3104	8374	6345	3328	8056	6113	3488	
	16	22	7020	5124	1543	10839	7619	2170	10036	7107	2583	9964	7042	3008	9646	6809	3168	9010	6345	3392	8692	6113	3520	
	18	25	7527	5495	1567	11542	8279	2198	10638	7693	2613	10600	7661	3040	10176	7351	3168	9540	6887	3424	9116	6577	3552	
	19	27	7781	5680	1591	11943	8718	2226	11040	8059	2643	11024	8048	3072	10600	7738	3200	9964	7274	3424	9540	6964	3552	
	22	30	8627	5618	1591	13248	8645	2226	12244	7986	2643	12190	7970	3104	11766	7661	3232	10600	7428	3552	9858	7274	3744	
	24	32	9219	5618	1615	14151	8645	2254	13047	7986	2672	13038	7970	3104	12508	7661	3264	11024	7583	3648	10070	7506	3872	
(1.5+5.0) + (1.5+3.5+3.5)	12	18	7020	4816	1520	9434	7619	2141	8731	7033	2524	8692	7042	2944	8374	6732	3072	7844	6345	3296	7526	6036	3424	
	14	20	7020	4816	1520	10137	7619	2141	9434	7107	2554	9328	7042	2976	9010	6809	3104	8374	6345	3328	8056	6113	3488	
	16	22	7020	5124	1543	10839	7619	2170	10036	7107	2583	9964	7042	3008	9646	6809	3168	9010	6345	3392	8692	6113	3520	
	18	25	7527	5495	1567	11542	8279	2198	10638	7693	2613	10600	7661	3040	10176	7351	3168	9540	6887	3424	9116	6577	3552	
	19	27	7781	5680	1591	11943	8718	2226	11040	8059	2643	11024	8048	3072	10600	7738	3200	9964	7274	3424	9540	6964	3552	
	22	30	8627	5618	1591	13248	8645	2226	12244	7986	2643	12190	7970	3104	11766	7661	3232	10600	7428	3552	9858	7274	3744	
	24	32	9219	5618	1615	14151	8645	2254	13047	7986	2672	13038	7970	3104	12508	7661	3264	11024	7583	3648	10070	7506	3872	

INDOOR		OUTDOOR TEMPERATURE (°CDB)																					
EWB	EDB	-10			21			27			32			35			40			43			
°C	°C	TC	SHC	PI	TC	SHC	PI	TC	SHC	PI	TC	SHC	PI	TC	SHC	PI	TC	SHC	PI	TC	SHC	PI	
(1.5+5.0) + (1.8+1.8+1.8)	12	18	7020	4816	1520	9434	7619	2141	8731	7033	2524	8692	7042	2944	8374	6732	3072	7844	6345	3296	7526	6036	3424
	14	20	7020	4816	1520	10137	7619	2141	9434	7107	2554	9328	7042	2976	9010	6809	3104	8374	6345	3328	8056	6113	3488
	16	22	7020	5124	1543	10839	7619	2170	10036	7107	2583	9964	7042	3008	9646	6809	3168	9010	6345	3392	8692	6113	3520
	18	25	7527	5495	1567	11542	8279	2198	10638	7693	2613	10600	7661	3040	10176	7351	3168	9540	6887	3424	9116	6577	3552
	19	27	7781	5680	1591	11943	8718	2226	11040	8059	2643	11024	8048	3072	10600	7738	3200	9964	7274	3424	9540	6964	3552
	22	30	8627	5618	1591	13248	8645	2226	12244	7986	2643	12190	7970	3104	11766	7661	3232	10600	7428	3552	9858	7274	3744
	24	32	9219	5618	1615	14151	8645	2254	13047	7986	2672	13038	7970	3104	12508	7661	3264	11024	7583	3648	10070	7506	3872
(1.5+5.0) + (1.8+1.8+2.5)	12	18	7020	4816	1520	9434	7619	2141	8731	7033	2524	8692	7042	2944	8374	6732	3072	7844	6345	3296	7526	6036	3424
	14	20	7020	4816	1520	10137	7619	2141	9434	7107	2554	9328	7042	2976	9010	6809	3104	8374	6345	3328	8056	6113	3488
	16	22	7020	5124	1543	10839	7619	2170	10036	7107	2583	9964	7042	3008	9646	6809	3168	9010	6345	3392	8692	6113	3520
	18	25	7527	5495	1567	11542	8279	2198	10638	7693	2613	10600	7661	3040	10176	7351	3168	9540	6887	3424	9116	6577	3552
	19	27	7781	5680	1591	11943	8718	2226	11040	8059	2643	11024	8048	3072	10600	7738	3200	9964	7274	3424	9540	6964	3552
	22	30	8627	5618	1591	13248	8645	2226	12244	7986	2643	12190	7970	3104	11766	7661	3232	10600	7428	3552	9858	7274	3744
	24	32	9219	5618	1615	14151	8645	2254	13047	7986	2672	13038	7970	3104	12508	7661	3264	11024	7583	3648	10070	7506	3872
(1.5+5.0) + (1.8+1.8+3.5)	12	18	7020	4816	1520	9434	7619	2141	8731	7033	2524	8692	7042	2944	8374	6732	3072	7844	6345	3296	7526	6036	3424
	14	20	7020	4816	1520	10137	7619	2141	9434	7107	2554	9328	7042	2976	9010	6809	3104	8374	6345	3328	8056	6113	3488
	16	22	7020	5124	1543	10839	7619	2170	10036	7107	2583	9964	7042	3008	9646	6809	3168	9010	6345	3392	8692	6113	3520
	18	25	7527	5495	1567	11542	8279	2198	10638	7693	2613	10600	7661	3040	10176	7351	3168	9540	6887	3424	9116	6577	3552
	19	27	7781	5680	1591	11943	8718	2226	11040	8059	2643	11024	8048	3072	10600	7738	3200	9964	7274	3424	9540	6964	3552
	22	30	8627	5618	1591	13248	8645	2226	12244	7986	2643	12190	7970	3104	11766	7661	3232	10600	7428	3552	9858	7274	3744
	24	32	9219	5618	1615	14151	8645	2254	13047	7986	2672	13038	7970	3104	12508	7661	3264	11024	7583	3648	10070	7506	3872
(1.5+5.0) + (1.8+1.8+5.0)	12	18	7020	4816	1520	9434	7619	2141	8731	7033	2524	8692	7042	2944	8374	6732	3072	7844	6345	3296	7526	6036	3424
	14	20	7020	4816	1520	10137	7619	2141	9434	7107	2554	9328	7042	2976	9010	6809	3104	8374	6345	3328	8056	6113	3488
	16	22	7020	5124	1543	10839	7619	2170	10036	7107	2583	9964	7042	3008	9646	6809	3168	9010	6345	3392	8692	6113	3520
	18	25	7527	5495	1567	11542	8279	2198	10638	7693	2613	10600	7661	3040	10176	7351	3168	9540	6887	3424	9116	6577	3552
	19	27	7781	5680	1591	11943	8718	2226	11040	8059	2643	11024	8048	3072	10600	7738	3200	9964	7274	3424	9540	6964	3552
	22	30	8627	5618	1591	13248	8645	2226	12244	7986	2643	12190	7970	3104	11766	7661	3232	10600	7428	3552	9858	7274	3744
	24	32	9219	5618	1615	14151	8645	2254	13047	7986	2672	13038	7970	3104	12508	7661	3264	11024	7583	3648	10070	7506	3872
(1.5+5.0) + (1.8+2.5+2.5)	12	18	7020	4816	1520	9434	7619	2141	8731	7033	2524	8692	7042	2944	8374	6732	3072	7844	6345	3296	7526	6036	3424
	14	20	7020	4816	1520	10137	7619	2141	9434	7107	2554	9328	7042	2976	9010	6809	3104	8374	6345	3328	8056	6113	3488
	16	22	7020	5124	1543	10839	7619	2170	10036	7107	2583	9964	7042	3008	9646	6809	3168	9010	6345	3392	8692	6113	3520
	18	25	7527	5495	1567	11542	8279	2198	10638	7693	2613	10600	7661	3040	10176	7351	3168	9540	6887	3424	9116	6577	3552
	19	27	7781	5680	1591	11943	8718	2226	11040	8059	2643	11024	8048	3072	10600	7738	3200	9964	7274	3424	9540	6964	3552
	22	30	8627	5618	1591	13248	8645	2226	12244	7986	2643	12190	7970	3104	11766	7661	3232	10600	7428	3552	9858	7274	3744
	24	32	9219	5618	1615	14151	8645	2254	13047	7986	2672	13038	7970	3104	12508	7661	3264	11024	7583	3648	10070	7506	3872
(1.5+5.0) + (1.8+2.5+3.5)	12	18	7020	4816	1520	9434	7619	2141	8731	7033	2524	8692	7042	2944	8374	6732	3072	7844	6345	3296	7526	6036	3424
	14	20	7020	4816	1520	10137	7619	2141	9434	7107	2554	9328	7042	2976	9010	6809	3104	8374	6345	3328	8056	6113	3488
	16	22	7020	5124	1543	10839	7619	2170	10036	7107	2583	9964	7042	3008	9646	6809	3168	9010	6345	3392	8692	6113	3520
	18	25	7527	5495	1567	11542	8279	2198	10638	7693	2613	10600	7661	3040	10176	7351	3168	9540	6887	3424	9116	6577	3552
	19	27	7781	5680	1591	11943	8718	2226	11040	8059	2643	11024	8048	3072	10600	7738	3200	9964	7274	3424	9540	6964	3552
	22	30	8627	5618	1591	13248	8645	2226	12244	7986	2643	12190	7970	3104	11766	7661	3232	10600	7428	3552	9858	7274	3744
	24	32	9219	5618	1615	14151	8645	2254	13047	7986	2672	13038	7970	3104	12508	7661	3264	11024	7583	3648	10070	7506	3872



		INDOOR		OUTDOOR TEMPERATURE (°CDB)																				
		EWB	EDB	-10			21			27			32			35			40			43		
		°C	°C	TC	SHC	PI	TC	SHC	PI	TC	SHC	PI	TC	SHC	PI	TC	SHC	PI	TC	SHC	PI	TC	SHC	PI
(1.5+5.0) + (1.8+3.5+3.5)	12	18	7020	4816	1520	9434	7619	2141	8731	7033	2524	8692	7042	2944	8374	6732	3072	7844	6345	3296	7526	6036	3424	
	14	20	7020	4816	1520	10137	7619	2141	9434	7107	2554	9328	7042	2976	9010	6809	3104	8374	6345	3328	8056	6113	3488	
	16	22	7020	5124	1543	10839	7619	2170	10036	7107	2583	9964	7042	3008	9646	6809	3168	9010	6345	3392	8692	6113	3520	
	18	25	7527	5495	1567	11542	8279	2198	10638	7693	2613	10600	7661	3040	10176	7351	3168	9540	6887	3424	9116	6577	3552	
	19	27	7781	5680	1591	11943	8718	2226	11040	8059	2643	11024	8048	3072	10600	7738	3200	9964	7274	3424	9540	6964	3552	
	22	30	8627	5618	1591	13248	8645	2226	12244	7986	2643	12190	7970	3104	11766	7661	3232	10600	7428	3552	9858	7274	3744	
	24	32	9219	5618	1615	14151	8645	2254	13047	7986	2672	13038	7970	3104	12508	7661	3264	11024	7583	3648	10070	7506	3872	
(1.5+5.0) + (2.5+2.5+2.5)	12	18	7020	4816	1520	9434	7619	2141	8731	7033	2524	8692	7042	2944	8374	6732	3072	7844	6345	3296	7526	6036	3424	
	14	20	7020	4816	1520	10137	7619	2141	9434	7107	2554	9328	7042	2976	9010	6809	3104	8374	6345	3328	8056	6113	3488	
	16	22	7020	5124	1543	10839	7619	2170	10036	7107	2583	9964	7042	3008	9646	6809	3168	9010	6345	3392	8692	6113	3520	
	18	25	7527	5495	1567	11542	8279	2198	10638	7693	2613	10600	7661	3040	10176	7351	3168	9540	6887	3424	9116	6577	3552	
	19	27	7781	5680	1591	11943	8718	2226	11040	8059	2643	11024	8048	3072	10600	7738	3200	9964	7274	3424	9540	6964	3552	
	22	30	8627	5618	1591	13248	8645	2226	12244	7986	2643	12190	7970	3104	11766	7661	3232	10600	7428	3552	9858	7274	3744	
	24	32	9219	5618	1615	14151	8645	2254	13047	7986	2672	13038	7970	3104	12508	7661	3264	11024	7583	3648	10070	7506	3872	
(1.5+5.0) + (2.5+2.5+3.5)	12	18	7020	4816	1520	9434	7619	2141	8731	7033	2524	8692	7042	2944	8374	6732	3072	7844	6345	3296	7526	6036	3424	
	14	20	7020	4816	1520	10137	7619	2141	9434	7107	2554	9328	7042	2976	9010	6809	3104	8374	6345	3328	8056	6113	3488	
	16	22	7020	5124	1543	10839	7619	2170	10036	7107	2583	9964	7042	3008	9646	6809	3168	9010	6345	3392	8692	6113	3520	
	18	25	7527	5495	1567	11542	8279	2198	10638	7693	2613	10600	7661	3040	10176	7351	3168	9540	6887	3424	9116	6577	3552	
	19	27	7781	5680	1591	11943	8718	2226	11040	8059	2643	11024	8048	3072	10600	7738	3200	9964	7274	3424	9540	6964	3552	
	22	30	8627	5618	1591	13248	8645	2226	12244	7986	2643	12190	7970	3104	11766	7661	3232	10600	7428	3552	9858	7274	3744	
	24	32	9219	5618	1615	14151	8645	2254	13047	7986	2672	13038	7970	3104	12508	7661	3264	11024	7583	3648	10070	7506	3872	
(1.8+1.8) + (1.8+1.8+1.8)	12	18	5894	4043	1273	7921	6397	1793	7331	5905	2114	7298	5912	2466	7031	5652	2573	6586	5328	2760	6319	5068	2868	
	14	20	5894	4043	1273	8511	6397	1793	7921	5967	2139	7832	5912	2492	7565	5717	2600	7031	5328	2787	6764	5133	2921	
	16	22	5894	4303	1293	9101	6397	1817	8427	5967	2163	8366	5912	2519	8099	5717	2653	7565	5328	2841	7298	5133	2948	
	18	25	6320	4614	1312	9691	6951	1841	8932	6459	2188	8900	6432	2546	8544	6172	2653	8010	5782	2868	7654	5522	2975	
	19	27	6533	4769	1332	10028	7320	1864	9269	6767	2213	9256	6757	2573	8900	6497	2680	8366	6107	2868	8010	5847	2975	
	22	30	7243	4717	1332	11123	7259	1864	10280	6705	2213	10235	6692	2600	9879	6432	2707	8900	6237	2975	8277	6107	3136	
	24	32	7740	4717	1352	11882	7259	1888	10955	6705	2238	10947	6692	2600	10502	6432	2734	9256	6367	3055	8455	6302	3243	
(1.8+1.8) + (1.8+1.8+2.5)	12	18	5894	4043	1273	7921	6397	1793	7331	5905	2114	7298	5912	2466	7031	5652	2573	6586	5328	2760	6319	5068	2868	
	14	20	5894	4043	1273	8511	6397	1793	7921	5967	2139	7832	5912	2492	7565	5717	2600	7031	5328	2787	6764	5133	2921	
	16	22	5894	4303	1293	9101	6397	1817	8427	5967	2163	8366	5912	2519	8099	5717	2653	7565	5328	2841	7298	5133	2948	
	18	25	6320	4614	1312	9691	6951	1841	8932	6459	2188	8900	6432	2546	8544	6172	2653	8010	5782	2868	7654	5522	2975	
	19	27	6533	4769	1332	10028	7320	1864	9269	6767	2213	9256	6757	2573	8900	6497	2680	8366	6107	2868	8010	5847	2975	
	22	30	7243	4717	1332	11123	7259	1864	10280	6705	2213	10235	6692	2600	9879	6432	2707	8900	6237	2975	8277	6107	3136	
	24	32	7740	4717	1352	11882	7259	1888	10955	6705	2238	10947	6692	2600	10502	6432	2734	9256	6367	3055	8455	6302	3243	
(1.8+3.5) + (1.8+1.8+1.8)	12	18	7020	4816	1520	9434	7619	2141	8731	7033	2524	8692	7042	2944	8374	6732	3072	7844	6345	3296	7526	6036	3424	
	14	20	7020	4816	1520	10137	7619	2141	9434	7107	2554	9328	7042	2976	9010	6809	3104	8374	6345	3328	8056	6113	3488	
	16	22	7020	5124	1543	10839	7619	2170	10036	7107	2583	9964	7042	3008	9646	6809	3168	9010	6345	3392	8692	6113	3520	
	18	25	7527	5495	1567	11542	8279	2198	10638	7693	2613	10600	7661	3040	10176	7351	3168	9540	6887	3424	9116	6577	3552	
	19	27	7781	5680	1591	11943	8718	2226	11040	8059	2643	11024	8048	3072	10600	7738	3200	9964	7274	3424	9540	6964	3552	
	22	30	8627	5618	1591	13248	8645	2226	12244	7986	2643	12190	7970	3104	11766	7661	3232	10600	7428	3552	9858	7274	3744	
	24	32	9219	5618	1615	14151	8645	2254	13047	7986	2672	13038	7970	3104	12508	7661	3264	11024	7583	3648	10070	7506	3872	

		INDOOR		OUTDOOR TEMPERATURE (°CDB)																				
		EWB	EDB	-10			21			27			32			35			40			43		
		°C	°C	TC	SHC	PI	TC	SHC	PI	TC	SHC	PI	TC	SHC	PI	TC	SHC	PI	TC	SHC	PI	TC	SHC	PI
(1.8+5.0) + (1.8+1.8+1.8)	12	18	7020	4816	1520	9434	7619	2141	8731	7033	2524	8692	7042	2944	8374	6732	3072	7844	6345	3296	7526	6036	3424	
	14	20	7020	4816	1520	10137	7619	2141	9434	7107	2554	9328	7042	2976	9010	6809	3104	8374	6345	3328	8056	6113	3488	
	16	22	7020	5124	1543	10839	7619	2170	10036	7107	2583	9964	7042	3008	9646	6809	3168	9010	6345	3392	8692	6113	3520	
	18	25	7527	5495	1567	11542	8279	2198	10638	7693	2613	10600	7661	3040	10176	7351	3168	9540	6887	3424	9116	6577	3552	
	19	27	7781	5680	1591	11943	8718	2226	11040	8059	2643	11024	8048	3072	10600	7738	3200	9964	7274	3424	9540	6964	3552	
	22	30	8627	5618	1591	13248	8645	2226	12244	7986	2643	12190	7970	3104	11766	7661	3232	10600	7428	3552	9858	7274	3744	
	24	32	9219	5618	1615	14151	8645	2254	13047	7986	2672	13038	7970	3104	12508	7661	3264	11024	7583	3648	10070	7506	3872	
(1.8+2.5) + (1.8+1.8+2.5)	12	18	6357	4361	1368	8544	6901	1927	7908	6370	2271	7872	6377	2650	7584	6097	2765	7104	5747	2966	6816	5466	3082	
	14	20	6357	4361	1368	9180	6901	1927	8544	6436	2298	8448	6377	2678	8160	6167	2794	7584	5747	2995	7296	5536	3139	
	16	22	6357	4641	1389	9817	6901	1953	9089	6436	2325	9024	6377	2707	8736	6167	2851	8160	5747	3053	7872	5536	3168	
	18	25	6817	4976	1410	10453	7498	1978	9635	6967	2352	9600	6938	2736	9216	6658	2851	8640	6237	3082	8256	5957	3197	
	19	27	7047	5144	1432	10816	7896	2003	9998	7299	2378	9984	7288	2765	9600	7008	2880	9024	6588	3082	8640	6307	3197	
	22	30	7813	5088	1432	11998	7830	2003	11089	7232	2378	11040	7218	2794	10656	6938	2909	9600	6728	3197	8928	6588	3370	
	24	32	8349	5088	1453	12816	7830	2029	11816	7232	2405	11808	7218	2794	11328	6938	2938	9984	6868	3283	9120	6798	3485	
(1.8+3.5) + (1.8+1.8+2.5)	12	18	7020	4816	1520	9434	7619	2141	8731	7033	2524	8692	7042	2944	8374	6732	3072	7844	6345	3296	7526	6036	3424	
	14	20	7020	4816	1520	10137	7619	2141	9434	7107	2554	9328	7042	2976	9010	6809	3104	8374	6345	3328	8056	6113	3488	
	16	22	7020	5124	1543	10839	7619	2170	10036	7107	2583	9964	7042	3008	9646	6809	3168	9010	6345	3392	8692	6113	3520	
	18	25	7527	5495	1567	11542	8279	2198	10638	7693	2613	10600	7661	3040	10176	7351	3168	9540	6887	3424	9116	6577	3552	
	19	27	7781	5680	1591	11943	8718	2226	11040	8059	2643	11024	8048	3072	10600	7738	3200	9964	7274	3424	9540	6964	3552	
	22	30	8627	5618	1591	13248	8645	2226	12244	7986	2643	12190	7970	3104	11766	7661	3232	10600	7428	3552	9858	7274	3744	
	24	32	9219	5618	1615	14151	8645	2254	13047	7986	2672	13038	7970	3104	12508	7661	3264	11024	7583	3648	10070	7506	3872	
(1.8+5.0) + (1.8+1.8+2.5)	12	18	7020	4816	1520	9434	7619	2141	8731	7033	2524	8692	7042	2944	8374	6732	3072	7844	6345	3296	7526	6036	3424	
	14	20	7020	4816	1520	10137	7619	2141	9434	7107	2554	9328	7042	2976	9010	6809	3104	8374	6345	3328	8056	6113	3488	
	16	22	7020	5124	1543	10839	7619	2170	10036	7107	2583	9964	7042	3008	9646	6809	3168	9010	6345	3392	8692	6113	3520	
	18	25	7527	5495	1567	11542	8279	2198	10638	7693	2613	10600	7661	3040	10176	7351	3168	9540	6887	3424	9116	6577	3552	
	19	27	7781	5680	1591	11943	8718	2226	11040	8059	2643	11024	8048	3072	10600	7738	3200	9964	7274	3424	9540	6964	3552	
	22	30	8627	5618	1591	13248	8645	2226	12244	7986	2643	12190	7970	3104	11766	7661	3232	10600	7428	3552	9858	7274	3744	
	24	32	9219	5618	1615	14151	8645	2254	13047	7986	2672	13038	7970	3104	12508	7661	3264	11024	7583	3648	10070	7506	3872	
(1.8+3.5) + (1.8+1.8+3.5)	12	18	7020	4816	1520	9434	7619	2141	8731	7033	2524	8692	7042	2944	8374	6732	3072	7844	6345	3296	7526	6036	3424	
	14	20	7020	4816	1520	10137	7619	2141	9434	7107	2554	9328	7042	2976	9010	6809	3104	8374	6345	3328	8056	6113	3488	
	16	22	7020	5124	1543	10839	7619	2170	10036	7107	2583	9964	7042	3008	9646	6809	3168	9010	6345	3392	8692	6113	3520	
	18	25	7527	5495	1567	11542	8279	2198	10638	7693	2613	10600	7661	3040	10176	7351	3168	9540	6887	3424	9116	6577	3552	
	19	27	7781	5680	1591	11943	8718	2226	11040	8059	2643	11024	8048	3072	10600	7738	3200	9964	7274	3424	9540	6964	3552	
	22	30	8627	5618	1591	13248	8645	2226	12244	7986	2643	12190	7970	3104	11766	7661	3232	10600	7428	3552	9858	7274	3744	
	24	32	9219	5618	1615	14151	8645	2254	13047	7986	2672	13038	7970	3104	12508	7661	3264	11024	7583	3648	10070	7506	3872	
(1.8+5.0) + (1.8+1.8+3.5)	12	18	7020	4816	1520	9434	7619	2141	8731	7033	2524	8692	7042	2944	8374	6732	3072	7844	6345	3296	7526	6036	3424	
	14	20	7020	4816	1520	10137	7619	2141	9434	7107	2554	9328	7042	2976	9010	6809	3104	8374	6345	3328	8056	6113	3488	
	16	22	7020	5124	1543	10839	7619	2170	10036	7107	2583	9964	7042	3008	9646	6809	3168	9010	6345	3392	8692	6113	3520	
	18	25	7527	5495	1567	11542	8279	2198	10638	7693	2613	10600	7661	3040	10176	7351	3168	9540	6887	3424	9116	6577	3552	
	19	27	7781	5680	1591	11943	8718	2226	11040	8059	2643	11024	8048	3072	10600	7738	3200	9964	7274	3424	9540	6964	3552	
	22	30	8627	5618	1591	13248	8645	2226	12244	7986	2643	12190	7970	3104	11766	7661	3232	10600	7428	3552	9858	7274	3744	
	24	32	9219	5618	1615	14151	8645	2254	13047	7986	2672	13038	7970	3104	12508	7661	3264	11024	7583	3648	10070	7506	3872	

		INDOOR		OUTDOOR TEMPERATURE (°CDB)																				
		EWB	EDB	-10			21			27			32			35			40			43		
		°C	°C	TC	SHC	PI	TC	SHC	PI	TC	SHC	PI	TC	SHC	PI	TC	SHC	PI	TC	SHC	PI	TC	SHC	PI
(1.8+5.0) + (1.8+1.8+5.0)	12	18	7020	4816	1520	9434	7619	2141	8731	7033	2524	8692	7042	2944	8374	6732	3072	7844	6345	3296	7526	6036	3424	
	14	20	7020	4816	1520	10137	7619	2141	9434	7107	2554	9328	7042	2976	9010	6809	3104	8374	6345	3328	8056	6113	3488	
	16	22	7020	5124	1543	10839	7619	2170	10036	7107	2583	9964	7042	3008	9646	6809	3168	9010	6345	3392	8692	6113	3520	
	18	25	7527	5495	1567	11542	8279	2198	10638	7693	2613	10600	7661	3040	10176	7351	3168	9540	6887	3424	9116	6577	3552	
	19	27	7781	5680	1591	11943	8718	2226	11040	8059	2643	11024	8048	3072	10600	7738	3200	9964	7274	3424	9540	6964	3552	
	22	30	8627	5618	1591	13248	8645	2226	12244	7986	2643	12190	7970	3104	11766	7661	3232	10600	7428	3552	9858	7274	3744	
	24	32	9219	5618	1615	14151	8645	2254	13047	7986	2672	13038	7970	3104	12508	7661	3264	11024	7583	3648	10070	7506	3872	
(2.5+2.5) + (1.8+1.8+2.5)	12	18	6821	4679	1458	9167	7404	2054	8484	6834	2421	8446	6842	2824	8137	6542	2947	7622	6166	3162	7313	5865	3285	
	14	20	6821	4679	1458	9850	7404	2054	9167	6905	2450	9064	6842	2855	8755	6617	2978	8137	6166	3193	7828	5940	3346	
	16	22	6821	4979	1481	10532	7404	2081	9752	6905	2478	9682	6842	2886	9373	6617	3039	8755	6166	3254	8446	5940	3377	
	18	25	7314	5339	1503	11215	8045	2109	10337	7475	2507	10300	7444	2917	9888	7143	3039	9270	6692	3285	8858	6391	3408	
	19	27	7561	5519	1526	11605	8472	2136	10727	7831	2535	10712	7820	2947	10300	7519	3070	9682	7068	3285	9270	6767	3408	
	22	30	8382	5459	1526	12873	8400	2136	11898	7760	2535	11845	7745	2978	11433	7444	3101	10300	7218	3408	9579	7068	3592	
	24	32	8958	5459	1549	13751	8400	2163	12678	7760	2564	12669	7745	2978	12154	7444	3131	10712	7369	3500	9785	7293	3715	
(2.5+3.5) + (1.8+1.8+2.5)	12	18	7020	4816	1520	9434	7619	2141	8731	7033	2524	8692	7042	2944	8374	6732	3072	7844	6345	3296	7526	6036	3424	
	14	20	7020	4816	1520	10137	7619	2141	9434	7107	2554	9328	7042	2976	9010	6809	3104	8374	6345	3328	8056	6113	3488	
	16	22	7020	5124	1543	10839	7619	2170	10036	7107	2583	9964	7042	3008	9646	6809	3168	9010	6345	3392	8692	6113	3520	
	18	25	7527	5495	1567	11542	8279	2198	10638	7693	2613	10600	7661	3040	10176	7351	3168	9540	6887	3424	9116	6577	3552	
	19	27	7781	5680	1591	11943	8718	2226	11040	8059	2643	11024	8048	3072	10600	7738	3200	9964	7274	3424	9540	6964	3552	
	22	30	8627	5618	1591	13248	8645	2226	12244	7986	2643	12190	7970	3104	11766	7661	3232	10600	7428	3552	9858	7274	3744	
	24	32	9219	5618	1615	14151	8645	2254	13047	7986	2672	13038	7970	3104	12508	7661	3264	11024	7583	3648	10070	7506	3872	
(1.8+5.0) + (1.8+2.5+2.5)	12	18	7020	4816	1520	9434	7619	2141	8731	7033	2524	8692	7042	2944	8374	6732	3072	7844	6345	3296	7526	6036	3424	
	14	20	7020	4816	1520	10137	7619	2141	9434	7107	2554	9328	7042	2976	9010	6809	3104	8374	6345	3328	8056	6113	3488	
	16	22	7020	5124	1543	10839	7619	2170	10036	7107	2583	9964	7042	3008	9646	6809	3168	9010	6345	3392	8692	6113	3520	
	18	25	7527	5495	1567	11542	8279	2198	10638	7693	2613	10600	7661	3040	10176	7351	3168	9540	6887	3424	9116	6577	3552	
	19	27	7781	5680	1591	11943	8718	2226	11040	8059	2643	11024	8048	3072	10600	7738	3200	9964	7274	3424	9540	6964	3552	
	22	30	8627	5618	1591	13248	8645	2226	12244	7986	2643	12190	7970	3104	11766	7661	3232	10600	7428	3552	9858	7274	3744	
	24	32	9219	5618	1615	14151	8645	2254	13047	7986	2672	13038	7970	3104	12508	7661	3264	11024	7583	3648	10070	7506	3872	
(3.5+3.5) + (1.8+1.8+2.5)	12	18	7020	4816	1520	9434	7619	2141	8731	7033	2524	8692	7042	2944	8374	6732	3072	7844	6345	3296	7526	6036	3424	
	14	20	7020	4816	1520	10137	7619	2141	9434	7107	2554	9328	7042	2976	9010	6809	3104	8374	6345	3328	8056	6113	3488	
	16	22	7020	5124	1543	10839	7619	2170	10036	7107	2583	9964	7042	3008	9646	6809	3168	9010	6345	3392	8692	6113	3520	
	18	25	7527	5495	1567	11542	8279	2198	10638	7693	2613	10600	7661	3040	10176	7351	3168	9540	6887	3424	9116	6577	3552	
	19	27	7781	5680	1591	11943	8718	2226	11040	8059	2643	11024	8048	3072	10600	7738	3200	9964	7274	3424	9540	6964	3552	
	22	30	8627	5618	1591	13248	8645	2226	12244	7986	2643	12190	7970	3104	11766	7661	3232	10600	7428	3552	9858	7274	3744	
	24	32	9219	5618	1615	14151	8645	2254	13047	7986	2672	13038	7970	3104	12508	7661	3264	11024	7583	3648	10070	7506	3872	
(1.8+5.0) + (1.8+2.5+3.5)	12	18	7020	4816	1520	9434	7619	2141	8731	7033	2524	8692	7042	2944	8374	6732	3072	7844	6345	3296	7526	6036	3424	
	14	20	7020	4816	1520	10137	7619	2141	9434	7107	2554	9328	7042	2976	9010	6809	3104	8374	6345	3328	8056	6113	3488	
	16	22	7020	5124	1543	10839	7619	2170	10036	7107	2583	9964	7042	3008	9646	6809	3168	9010	6345	3392	8692	6113	3520	
	18	25	7527	5495	1567	11542	8279	2198	10638	7693	2613	10600	7661	3040	10176	7351	3168	9540	6887	3424	9116	6577	3552	
	19	27	7781	5680	1591	11943	8718	2226	11040	8059	2643	11024	8048	3072	10600	7738	3200	9964	7274	3424	9540	6964	3552	
	22	30	8627	5618	1591	13248	8645	2226	12244	7986	2643	12190	7970	3104	11766	7661	3232	10600	7428	3552	9858	7274	3744	
	24	32	9219	5618	1615	14151	8645	2254	13047	7986	2672	13038	7970	3104	12508	7661	3264	11024	7583	3648	10070	7506	3872	

		INDOOR		OUTDOOR TEMPERATURE (°CDB)																				
		EWB	EDB	-10			21			27			32			35			40			43		
		°C	°C	TC	SHC	PI	TC	SHC	PI	TC	SHC	PI	TC	SHC	PI	TC	SHC	PI	TC	SHC	PI	TC	SHC	PI
(3.5+3.5) + (1.8+1.8+3.5)	12	18	7020	4816	1520	9434	7619	2141	8731	7033	2524	8692	7042	2944	8374	6732	3072	7844	6345	3296	7526	6036	3424	
	14	20	7020	4816	1520	10137	7619	2141	9434	7107	2554	9328	7042	2976	9010	6809	3104	8374	6345	3328	8056	6113	3488	
	16	22	7020	5124	1543	10839	7619	2170	10036	7107	2583	9964	7042	3008	9646	6809	3168	9010	6345	3392	8692	6113	3520	
	18	25	7527	5495	1567	11542	8279	2198	10638	7693	2613	10600	7661	3040	10176	7351	3168	9540	6887	3424	9116	6577	3552	
	19	27	7781	5680	1591	11943	8718	2226	11040	8059	2643	11024	8048	3072	10600	7738	3200	9964	7274	3424	9540	6964	3552	
	22	30	8627	5618	1591	13248	8645	2226	12244	7986	2643	12190	7970	3104	11766	7661	3232	10600	7428	3552	9858	7274	3744	
	24	32	9219	5618	1615	14151	8645	2254	13047	7986	2672	13038	7970	3104	12508	7661	3264	11024	7583	3648	10070	7506	3872	
(2.5+2.5) + (1.8+2.5+2.5)	12	18	6821	4679	1458	9167	7404	2054	8484	6834	2421	8446	6842	2824	8137	6542	2947	7622	6166	3162	7313	5865	3285	
	14	20	6821	4679	1458	9850	7404	2054	9167	6905	2450	9064	6842	2855	8755	6617	2978	8137	6166	3193	7828	5940	3346	
	16	22	6821	4979	1481	10532	7404	2081	9752	6905	2478	9682	6842	2886	9373	6617	3039	8755	6166	3254	8446	5940	3377	
	18	25	7314	5339	1503	11215	8045	2109	10337	7475	2507	10300	7444	2917	9888	7143	3039	9270	6692	3285	8858	6391	3408	
	19	27	7561	5519	1526	11605	8472	2136	10727	7831	2535	10712	7820	2947	10300	7519	3070	9682	7068	3285	9270	6767	3408	
	22	30	8382	5459	1526	12873	8400	2136	11898	7760	2535	11845	7745	2978	11433	7444	3101	10300	7218	3408	9579	7068	3592	
	24	32	8958	5459	1549	13751	8400	2163	12678	7760	2564	12669	7745	2978	12154	7444	3131	10712	7369	3500	9785	7293	3715	
(2.5+3.5) + (1.8+2.5+2.5)	12	18	7020	4816	1520	9434	7619	2141	8731	7033	2524	8692	7042	2944	8374	6732	3072	7844	6345	3296	7526	6036	3424	
	14	20	7020	4816	1520	10137	7619	2141	9434	7107	2554	9328	7042	2976	9010	6809	3104	8374	6345	3328	8056	6113	3488	
	16	22	7020	5124	1543	10839	7619	2170	10036	7107	2583	9964	7042	3008	9646	6809	3168	9010	6345	3392	8692	6113	3520	
	18	25	7527	5495	1567	11542	8279	2198	10638	7693	2613	10600	7661	3040	10176	7351	3168	9540	6887	3424	9116	6577	3552	
	19	27	7781	5680	1591	11943	8718	2226	11040	8059	2643	11024	8048	3072	10600	7738	3200	9964	7274	3424	9540	6964	3552	
	22	30	8627	5618	1591	13248	8645	2226	12244	7986	2643	12190	7970	3104	11766	7661	3232	10600	7428	3552	9858	7274	3744	
	24	32	9219	5618	1615	14151	8645	2254	13047	7986	2672	13038	7970	3104	12508	7661	3264	11024	7583	3648	10070	7506	3872	
(1.8+5.0) + (2.5+2.5+2.5)	12	18	7020	4816	1520	9434	7619	2141	8731	7033	2524	8692	7042	2944	8374	6732	3072	7844	6345	3296	7526	6036	3424	
	14	20	7020	4816	1520	10137	7619	2141	9434	7107	2554	9328	7042	2976	9010	6809	3104	8374	6345	3328	8056	6113	3488	
	16	22	7020	5124	1543	10839	7619	2170	10036	7107	2583	9964	7042	3008	9646	6809	3168	9010	6345	3392	8692	6113	3520	
	18	25	7527	5495	1567	11542	8279	2198	10638	7693	2613	10600	7661	3040	10176	7351	3168	9540	6887	3424	9116	6577	3552	
	19	27	7781	5680	1591	11943	8718	2226	11040	8059	2643	11024	8048	3072	10600	7738	3200	9964	7274	3424	9540	6964	3552	
	22	30	8627	5618	1591	13248	8645	2226	12244	7986	2643	12190	7970	3104	11766	7661	3232	10600	7428	3552	9858	7274	3744	
	24	32	9219	5618	1615	14151	8645	2254	13047	7986	2672	13038	7970	3104	12508	7661	3264	11024	7583	3648	10070	7506	3872	
(3.5+3.5) + (1.8+2.5+2.5)	12	18	7020	4816	1520	9434	7619	2141	8731	7033	2524	8692	7042	2944	8374	6732	3072	7844	6345	3296	7526	6036	3424	
	14	20	7020	4816	1520	10137	7619	2141	9434	7107	2554	9328	7042	2976	9010	6809	3104	8374	6345	3328	8056	6113	3488	
	16	22	7020	5124	1543	10839	7619	2170	10036	7107	2583	9964	7042	3008	9646	6809	3168	9010	6345	3392	8692	6113	3520	
	18	25	7527	5495	1567	11542	8279	2198	10638	7693	2613	10600	7661	3040	10176	7351	3168	9540	6887	3424	9116	6577	3552	
	19	27	7781	5680	1591	11943	8718	2226	11040	8059	2643	11024	8048	3072	10600	7738	3200	9964	7274	3424	9540	6964	3552	
	22	30	8627	5618	1591	13248	8645	2226	12244	7986	2643	12190	7970	3104	11766	7661	3232	10600	7428	3552	9858	7274	3744	
	24	32	9219	5618	1615	14151	8645	2254	13047	7986	2672	13038	7970	3104	12508	7661	3264	11024	7583	3648	10070	7506	3872	
(2.5+5.0) + (1.8+2.5+3.5)	12	18	7020	4816	1520	9434	7619	2141	8731	7033	2524	8692	7042	2944	8374	6732	3072	7844	6345	3296	7526	6036	3424	
	14	20	7020	4816	1520	10137	7619	2141	9434	7107	2554	9328	7042	2976	9010	6809	3104	8374	6345	3328	8056	6113	3488	
	16	22	7020	5124	1543	10839	7619	2170	10036	7107	2583	9964	7042	3008	9646	6809	3168	9010	6345	3392	8692	6113	3520	
	18	25	7527	5495	1567	11542	8279	2198	10638	7693	2613	10600	7661	3040	10176	7351	3168	9540	6887	3424	9116	6577	3552	
	19	27	7781	5680	1591	11943	8718	2226	11040	8059	2643	11024	8048	3072	10600	7738	3200	9964	7274	3424	9540	6964	3552	
	22	30	8627	5618	1591	13248	8645	2226	12244	7986	2643	12190	7970	3104	11766	7661	3232	10600	7428	3552	9858	7274	3744	
	24	32	9219	5618	1615	14151	8645	2254	13047	7986	2672	13038	7970	3104	12508	7661	3264	11024	7583	3648	10070	7506	3872	

		INDOOR		OUTDOOR TEMPERATURE (°CDB)																				
		EWB	EDB	-10			21			27			32			35			40			43		
		°C	°C	TC	SHC	PI	TC	SHC	PI	TC	SHC	PI	TC	SHC	PI	TC	SHC	PI	TC	SHC	PI	TC	SHC	PI
(3.5+3.5) + (1.8+2.5+3.5)	12	18	7020	4816	1520	9434	7619	2141	8731	7033	2524	8692	7042	2944	8374	6732	3072	7844	6345	3296	7526	6036	3424	
	14	20	7020	4816	1520	10137	7619	2141	9434	7107	2554	9328	7042	2976	9010	6809	3104	8374	6345	3328	8056	6113	3488	
	16	22	7020	5124	1543	10839	7619	2170	10036	7107	2583	9964	7042	3008	9646	6809	3168	9010	6345	3392	8692	6113	3520	
	18	25	7527	5495	1567	11542	8279	2198	10638	7693	2613	10600	7661	3040	10176	7351	3168	9540	6887	3424	9116	6577	3552	
	19	27	7781	5680	1591	11943	8718	2226	11040	8059	2643	11024	8048	3072	10600	7738	3200	9964	7274	3424	9540	6964	3552	
	22	30	8627	5618	1591	13248	8645	2226	12244	7986	2643	12190	7970	3104	11766	7661	3232	10600	7428	3552	9858	7274	3744	
	24	32	9219	5618	1615	14151	8645	2254	13047	7986	2672	13038	7970	3104	12508	7661	3264	11024	7583	3648	10070	7506	3872	
(3.5+3.5) + (1.8+3.5+3.5)	12	18	7020	4816	1520	9434	7619	2141	8731	7033	2524	8692	7042	2944	8374	6732	3072	7844	6345	3296	7526	6036	3424	
	14	20	7020	4816	1520	10137	7619	2141	9434	7107	2554	9328	7042	2976	9010	6809	3104	8374	6345	3328	8056	6113	3488	
	16	22	7020	5124	1543	10839	7619	2170	10036	7107	2583	9964	7042	3008	9646	6809	3168	9010	6345	3392	8692	6113	3520	
	18	25	7527	5495	1567	11542	8279	2198	10638	7693	2613	10600	7661	3040	10176	7351	3168	9540	6887	3424	9116	6577	3552	
	19	27	7781	5680	1591	11943	8718	2226	11040	8059	2643	11024	8048	3072	10600	7738	3200	9964	7274	3424	9540	6964	3552	
	22	30	8627	5618	1591	13248	8645	2226	12244	7986	2643	12190	7970	3104	11766	7661	3232	10600	7428	3552	9858	7274	3744	
	24	32	9219	5618	1615	14151	8645	2254	13047	7986	2672	13038	7970	3104	12508	7661	3264	11024	7583	3648	10070	7506	3872	
(2.5+2.5) + (2.5+2.5+2.5)	12	18	6821	4679	1458	9167	7404	2054	8484	6834	2421	8446	6842	2824	8137	6542	2947	7622	6166	3162	7313	5865	3285	
	14	20	6821	4679	1458	9850	7404	2054	9167	6905	2450	9064	6842	2855	8755	6617	2978	8137	6166	3193	7828	5940	3346	
	16	22	6821	4979	1481	10532	7404	2081	9752	6905	2478	9682	6842	2886	9373	6617	3039	8755	6166	3254	8446	5940	3377	
	18	25	7314	5339	1503	11215	8045	2109	10337	7475	2507	10300	7444	2917	9888	7143	3039	9270	6692	3285	8858	6391	3408	
	19	27	7561	5519	1526	11605	8472	2136	10727	7831	2535	10712	7820	2947	10300	7519	3070	9682	7068	3285	9270	6767	3408	
	22	30	8382	5459	1526	12873	8400	2136	11898	7760	2535	11845	7745	2978	11433	7444	3101	10300	7218	3408	9579	7068	3592	
	24	32	8958	5459	1549	13751	8400	2163	12678	7760	2564	12669	7745	2978	12154	7444	3131	10712	7369	3500	9785	7293	3715	
(2.5+3.5) + (2.5+2.5+2.5)	12	18	7020	4816	1520	9434	7619	2141	8731	7033	2524	8692	7042	2944	8374	6732	3072	7844	6345	3296	7526	6036	3424	
	14	20	7020	4816	1520	10137	7619	2141	9434	7107	2554	9328	7042	2976	9010	6809	3104	8374	6345	3328	8056	6113	3488	
	16	22	7020	5124	1543	10839	7619	2170	10036	7107	2583	9964	7042	3008	9646	6809	3168	9010	6345	3392	8692	6113	3520	
	18	25	7527	5495	1567	11542	8279	2198	10638	7693	2613	10600	7661	3040	10176	7351	3168	9540	6887	3424	9116	6577	3552	
	19	27	7781	5680	1591	11943	8718	2226	11040	8059	2643	11024	8048	3072	10600	7738	3200	9964	7274	3424	9540	6964	3552	
	22	30	8627	5618	1591	13248	8645	2226	12244	7986	2643	12190	7970	3104	11766	7661	3232	10600	7428	3552	9858	7274	3744	
	24	32	9219	5618	1615	14151	8645	2254	13047	7986	2672	13038	7970	3104	12508	7661	3264	11024	7583	3648	10070	7506	3872	
(2.5+5.0) + (2.5+2.5+2.5)	12	18	7020	4816	1520	9434	7619	2141	8731	7033	2524	8692	7042	2944	8374	6732	3072	7844	6345	3296	7526	6036	3424	
	14	20	7020	4816	1520	10137	7619	2141	9434	7107	2554	9328	7042	2976	9010	6809	3104	8374	6345	3328	8056	6113	3488	
	16	22	7020	5124	1543	10839	7619	2170	10036	7107	2583	9964	7042	3008	9646	6809	3168	9010	6345	3392	8692	6113	3520	
	18	25	7527	5495	1567	11542	8279	2198	10638	7693	2613	10600	7661	3040	10176	7351	3168	9540	6887	3424	9116	6577	3552	
	19	27	7781	5680	1591	11943	8718	2226	11040	8059	2643	11024	8048	3072	10600	7738	3200	9964	7274	3424	9540	6964	3552	
	22	30	8627	5618	1591	13248	8645	2226	12244	7986	2643	12190	7970	3104	11766	7661	3232	10600	7428	3552	9858	7274	3744	
	24	32	9219	5618	1615	14151	8645	2254	13047	7986	2672	13038	7970	3104	12508	7661	3264	11024	7583	3648	10070	7506	3872	
(3.5+3.5) + (2.5+2.5+2.5)	12	18	7020	4816	1520	9434	7619	2141	8731	7033	2524	8692	7042	2944	8374	6732	3072	7844	6345	3296	7526	6036	3424	
	14	20	7020	4816	1520	10137	7619	2141	9434	7107	2554	9328	7042	2976	9010	6809	3104	8374	6345	3328	8056	6113	3488	
	16	22	7020	5124	1543	10839	7619	2170	10036	7107	2583	9964	7042	3008	9646	6809	3168	9010	6345	3392	8692	6113	3520	
	18	25	7527	5495	1567	11542	8279	2198	10638	7693	2613	10600	7661	3040	10176	7351	3168	9540	6887	3424	9116	6577	3552	
	19	27	7781	5680	1591	11943	8718	2226	11040	8059	2643	11024	8048	3072	10600	7738	3200	9964	7274	3424	9540	6964	3552	
	22	30	8627	5618	1591	13248	8645	2226	12244	7986	2643	12190	7970	3104	11766	7661	3232	10600	7428	3552	9858	7274	3744	
	24	32	9219	5618	1615	14151	8645	2254	13047	7986	2672	13038	7970	3104	12508	7661	3264	11024	7583	3648	10070	7506	3872	

		INDOOR		OUTDOOR TEMPERATURE (°CDB)																				
		EWB	EDB	-10			21			27			32			35			40			43		
		°C	°C	TC	SHC	PI	TC	SHC	PI	TC	SHC	PI	TC	SHC	PI	TC	SHC	PI	TC	SHC	PI	TC	SHC	PI
(2.5+5.0) + (2.5+2.5+3.5)	12	18	7020	4816	1520	9434	7619	2141	8731	7033	2524	8692	7042	2944	8374	6732	3072	7844	6345	3296	7526	6036	3424	
	14	20	7020	4816	1520	10137	7619	2141	9434	7107	2554	9328	7042	2976	9010	6809	3104	8374	6345	3328	8056	6113	3488	
	16	22	7020	5124	1543	10839	7619	2170	10036	7107	2583	9964	7042	3008	9646	6809	3168	9010	6345	3392	8692	6113	3520	
	18	25	7527	5495	1567	11542	8279	2198	10638	7693	2613	10600	7661	3040	10176	7351	3168	9540	6887	3424	9116	6577	3552	
	19	27	7781	5680	1591	11943	8718	2226	11040	8059	2643	11024	8048	3072	10600	7738	3200	9964	7274	3424	9540	6964	3552	
	22	30	8627	5618	1591	13248	8645	2226	12244	7986	2643	12190	7970	3104	11766	7661	3232	10600	7428	3552	9858	7274	3744	
	24	32	9219	5618	1615	14151	8645	2254	13047	7986	2672	13038	7970	3104	12508	7661	3264	11024	7583	3648	10070	7506	3872	
(3.5+3.5) + (2.5+2.5+3.5)	12	18	7020	4816	1520	9434	7619	2141	8731	7033	2524	8692	7042	2944	8374	6732	3072	7844	6345	3296	7526	6036	3424	
	14	20	7020	4816	1520	10137	7619	2141	9434	7107	2554	9328	7042	2976	9010	6809	3104	8374	6345	3328	8056	6113	3488	
	16	22	7020	5124	1543	10839	7619	2170	10036	7107	2583	9964	7042	3008	9646	6809	3168	9010	6345	3392	8692	6113	3520	
	18	25	7527	5495	1567	11542	8279	2198	10638	7693	2613	10600	7661	3040	10176	7351	3168	9540	6887	3424	9116	6577	3552	
	19	27	7781	5680	1591	11943	8718	2226	11040	8059	2643	11024	8048	3072	10600	7738	3200	9964	7274	3424	9540	6964	3552	
	22	30	8627	5618	1591	13248	8645	2226	12244	7986	2643	12190	7970	3104	11766	7661	3232	10600	7428	3552	9858	7274	3744	
	24	32	9219	5618	1615	14151	8645	2254	13047	7986	2672	13038	7970	3104	12508	7661	3264	11024	7583	3648	10070	7506	3872	
(3.5+5.0) + (2.5+2.5+3.5)	12	18	7020	4816	1520	9434	7619	2141	8731	7033	2524	8692	7042	2944	8374	6732	3072	7844	6345	3296	7526	6036	3424	
	14	20	7020	4816	1520	10137	7619	2141	9434	7107	2554	9328	7042	2976	9010	6809	3104	8374	6345	3328	8056	6113	3488	
	16	22	7020	5124	1543	10839	7619	2170	10036	7107	2583	9964	7042	3008	9646	6809	3168	9010	6345	3392	8692	6113	3520	
	18	25	7527	5495	1567	11542	8279	2198	10638	7693	2613	10600	7661	3040	10176	7351	3168	9540	6887	3424	9116	6577	3552	
	19	27	7781	5680	1591	11943	8718	2226	11040	8059	2643	11024	8048	3072	10600	7738	3200	9964	7274	3424	9540	6964	3552	
	22	30	8627	5618	1591	13248	8645	2226	12244	7986	2643	12190	7970	3104	11766	7661	3232	10600	7428	3552	9858	7274	3744	
	24	32	9219	5618	1615	14151	8645	2254	13047	7986	2672	13038	7970	3104	12508	7661	3264	11024	7583	3648	10070	7506	3872	
(1.5+1.5+1.5) + (1.5+1.5+1.5)	12	18	5960	4089	1301	8010	6469	1834	7414	5972	2161	7380	5979	2521	7110	5716	2630	6660	5387	2822	6390	5125	2932	
	14	20	5960	4089	1301	8606	6469	1834	8010	6034	2186	7920	5979	2548	7650	5782	2658	7110	5387	2850	6840	5190	2987	
	16	22	5960	4351	1322	9203	6469	1858	8521	6034	2212	8460	5979	2576	8190	5782	2713	7650	5387	2904	7380	5190	3014	
	18	25	6391	4665	1342	9799	7029	1882	9033	6532	2237	9000	6504	2603	8640	6242	2713	8100	5847	2932	7740	5585	3041	
	19	27	6606	4823	1362	10140	7402	1906	9373	6843	2263	9360	6833	2630	9000	6570	2740	8460	6176	2932	8100	5913	3041	
	22	30	7324	4770	1362	11248	7340	1906	10396	6780	2263	10350	6767	2658	9990	6504	2767	9000	6307	3041	8370	6176	3206	
	24	32	7827	4770	1383	12015	7340	1930	11078	6780	2288	11070	6767	2658	10620	6504	2795	9360	6439	3124	8550	6373	3315	
(1.5+1.5+1.5) + (1.5+1.5+1.8)	12	18	6159	4225	1349	8277	6685	1901	7661	6171	2240	7626	6178	2613	7347	5906	2726	6882	5567	2925	6603	5295	3039	
	14	20	6159	4225	1349	8893	6685	1901	8277	6235	2266	8184	6178	2641	7905	5974	2755	7347	5567	2954	7068	5363	3096	
	16	22	6159	4496	1370	9510	6685	1926	8805	6235	2293	8742	6178	2670	8463	5974	2812	7905	5567	3010	7626	5363	3124	
	18	25	6604	4821	1391	10126	7264	1951	9334	6749	2319	9300	6721	2698	8928	6450	2812	8370	6042	3039	7998	5771	3152	
	19	27	6827	4983	1412	10478	7649	1976	9686	7071	2345	9672	7061	2726	9300	6789	2840	8742	6382	3039	8370	6110	3152	
	22	30	7569	4929	1412	11623	7585	1976	10742	7006	2345	10695	6993	2755	10323	6721	2868	9300	6517	3152	8649	6382	3323	
	24	32	8088	4929	1433	12416	7585	2001	11447	7006	2372	11439	6993	2755	10974	6721	2897	9672	6653	3238	8835	6585	3436	
(1.5+1.5+1.5) + (1.5+1.5+2.5)	12	18	6490	4452	1410	8722	7044	1988	8072	6503	2342	8036	6510	2732	7742	6224	2851	7252	5866	3059	6958	5580	3178	
	14	20	6490	4452	1410	9372	7044	1988	8722	6570	2370	8624	6510	2762	8330	6296	2881	7742	5866	3089	7448	5652	3237	
	16	22	6490	4738	1432	10021	7044	2014	9279	6570	2398	9212	6510	2792	8918	6296	2940	8330	5866	3148	8036	5652	3267	
	18	25	6959	5080	1455	10671	7654	2040	9835	7112	2425	9800	7082	2822	9408	6796	2940	8820	6367	3178	8428	6081	3297	
	19	27	7194	5251	1477	11042	8060	2066	10207	7451	2453	10192	7440	2851	9800	7154	2970	9212	6725	3178	8820	6439	3297	
	22	30	7976	5194	1477	12248	7993	2066	11320	7383	2453	11270	7369	2881	10878	7082	3000	9800	6868	3297	9114	6725	3475	
	24	32	8523	5194	1499	13083	7993	2092	12062	7383	2480	12054	7369	2881	11564	7082	3029	10192	7011	3386	9310	6939	3594	

		INDOOR		OUTDOOR TEMPERATURE (°CDB)																				
		EWB	EDB	-10			21			27			32			35			40			43		
		°C	°C	TC	SHC	PI	TC	SHC	PI	TC	SHC	PI	TC	SHC	PI	TC	SHC	PI	TC	SHC	PI	TC	SHC	PI
(1.5+1.5+1.5) + (1.5+1.5+3.5)	12	18	6490	4452	1410	8722	7044	1988	8072	6503	2342	8036	6510	2732	7742	6224	2851	7252	5866	3059	6958	5580	3178	
	14	20	6490	4452	1410	9372	7044	1988	8722	6570	2370	8624	6510	2762	8330	6296	2881	7742	5866	3089	7448	5652	3237	
	16	22	6490	4738	1432	10021	7044	2014	9279	6570	2398	9212	6510	2792	8918	6296	2940	8330	5866	3148	8036	5652	3267	
	18	25	6959	5080	1455	10671	7654	2040	9835	7112	2425	9800	7082	2822	9408	6796	2940	8820	6367	3178	8428	6081	3297	
	19	27	7194	5251	1477	11042	8060	2066	10207	7451	2453	10192	7440	2851	9800	7154	2970	9212	6725	3178	8820	6439	3297	
	22	30	7976	5194	1477	12248	7993	2066	11320	7383	2453	11270	7369	2881	10878	7082	3000	9800	6868	3297	9114	6725	3475	
	24	32	8523	5194	1499	13083	7993	2092	12062	7383	2480	12054	7369	2881	11564	7082	3029	10192	7011	3386	9310	6939	3594	
(1.5+1.5+1.5) + (1.5+1.5+5.0)	12	18	6490	4452	1410	8722	7044	1988	8072	6503	2342	8036	6510	2732	7742	6224	2851	7252	5866	3059	6958	5580	3178	
	14	20	6490	4452	1410	9372	7044	1988	8722	6570	2370	8624	6510	2762	8330	6296	2881	7742	5866	3089	7448	5652	3237	
	16	22	6490	4738	1432	10021	7044	2014	9279	6570	2398	9212	6510	2792	8918	6296	2940	8330	5866	3148	8036	5652	3267	
	18	25	6959	5080	1455	10671	7654	2040	9835	7112	2425	9800	7082	2822	9408	6796	2940	8820	6367	3178	8428	6081	3297	
	19	27	7194	5251	1477	11042	8060	2066	10207	7451	2453	10192	7440	2851	9800	7154	2970	9212	6725	3178	8820	6439	3297	
	22	30	7976	5194	1477	12248	7993	2066	11320	7383	2453	11270	7369	2881	10878	7082	3000	9800	6868	3297	9114	6725	3475	
	24	32	8523	5194	1499	13083	7993	2092	12062	7383	2480	12054	7369	2881	11564	7082	3029	10192	7011	3386	9310	6939	3594	
(1.5+1.5+1.5) + (1.5+1.8+1.8)	12	18	6357	4361	1387	8544	6901	1954	7908	6370	2303	7872	6377	2686	7584	6097	2803	7104	5747	3008	6816	5466	3124	
	14	20	6357	4361	1387	9180	6901	1954	8544	6436	2330	8448	6377	2716	8160	6167	2832	7584	5747	3037	7296	5536	3183	
	16	22	6357	4641	1408	9817	6901	1980	9089	6436	2357	9024	6377	2745	8736	6167	2891	8160	5747	3095	7872	5536	3212	
	18	25	6817	4976	1430	10453	7498	2005	9635	6967	2384	9600	6938	2774	9216	6658	2891	8640	6237	3124	8256	5957	3241	
	19	27	7047	5144	1452	10816	7896	2031	9998	7299	2411	9984	7288	2803	9600	7008	2920	9024	6588	3124	8640	6307	3241	
	22	30	7813	5088	1452	11998	7830	2031	11089	7232	2411	11040	7218	2832	10656	6938	2949	9600	6728	3241	8928	6588	3416	
	24	32	8349	5088	1473	12816	7830	2057	11816	7232	2438	11808	7218	2832	11328	6938	2978	9984	6868	3329	9120	6798	3533	
(1.5+1.5+1.5) + (1.5+1.8+2.5)	12	18	6490	4452	1410	8722	7044	1988	8072	6503	2342	8036	6510	2732	7742	6224	2851	7252	5866	3059	6958	5580	3178	
	14	20	6490	4452	1410	9372	7044	1988	8722	6570	2370	8624	6510	2762	8330	6296	2881	7742	5866	3089	7448	5652	3237	
	16	22	6490	4738	1432	10021	7044	2014	9279	6570	2398	9212	6510	2792	8918	6296	2940	8330	5866	3148	8036	5652	3267	
	18	25	6959	5080	1455	10671	7654	2040	9835	7112	2425	9800	7082	2822	9408	6796	2940	8820	6367	3178	8428	6081	3297	
	19	27	7194	5251	1477	11042	8060	2066	10207	7451	2453	10192	7440	2851	9800	7154	2970	9212	6725	3178	8820	6439	3297	
	22	30	7976	5194	1477	12248	7993	2066	11320	7383	2453	11270	7369	2881	10878	7082	3000	9800	6868	3297	9114	6725	3475	
	24	32	8523	5194	1499	13083	7993	2092	12062	7383	2480	12054	7369	2881	11564	7082	3029	10192	7011	3386	9310	6939	3594	
(1.5+1.5+1.5) + (1.5+1.8+3.5)	12	18	6490	4452	1410	8722	7044	1988	8072	6503	2342	8036	6510	2732	7742	6224	2851	7252	5866	3059	6958	5580	3178	
	14	20	6490	4452	1410	9372	7044	1988	8722	6570	2370	8624	6510	2762	8330	6296	2881	7742	5866	3089	7448	5652	3237	
	16	22	6490	4738	1432	10021	7044	2014	9279	6570	2398	9212	6510	2792	8918	6296	2940	8330	5866	3148	8036	5652	3267	
	18	25	6959	5080	1455	10671	7654	2040	9835	7112	2425	9800	7082	2822	9408	6796	2940	8820	6367	3178	8428	6081	3297	
	19	27	7194	5251	1477	11042	8060	2066	10207	7451	2453	10192	7440	2851	9800	7154	2970	9212	6725	3178	8820	6439	3297	
	22	30	7976	5194	1477	12248	7993	2066	11320	7383	2453	11270	7369	2881	10878	7082	3000	9800	6868	3297	9114	6725	3475	
	24	32	8523	5194	1499	13083	7993	2092	12062	7383	2480	12054	7369	2881	11564	7082	3029	10192	7011	3386	9310	6939	3594	
(1.5+1.5+1.5) + (1.5+1.8+5.0)	12	18	6490	4452	1410	8722	7044	1988	8072	6503	2342	8036	6510	2732	7742	6224	2851	7252	5866	3059	6958	5580	3178	
	14	20	6490	4452	1410	9372	7044	1988	8722	6570	2370	8624	6510	2762	8330	6296	2881	7742	5866	3089	7448	5652	3237	
	16	22	6490	4738	1432	10021	7044	2014	9279	6570	2398	9212	6510	2792	8918	6296	2940	8330	5866	3148	8036	5652	3267	
	18	25	6959	5080	1455	10671	7654	2040	9835	7112	2425	9800	7082	2822	9408	6796	2940	8820	6367	3178	8428	6081	3297	
	19	27	7194	5251	1477	11042	8060	2066	10207	7451	2453	10192	7440	2851	9800	7154	2970	9212	6725	3178	8820	6439	3297	
	22	30	7976	5194	1477	12248	7993	2066	11320	7383	2453	11270	7369	2881	10878	7082	3000	9800	6868	3297	9114	6725	3475	
	24	32	8523	5194	1499	13083	7993	2092	12062	7383	2480	12054	7369	2881	11564	7082	3029	10192	7011	3386	9310	6939	3594	

		INDOOR		OUTDOOR TEMPERATURE (°CDB)																				
		EWB	EDB	-10			21			27			32			35			40			43		
		°C	°C	TC	SHC	PI	TC	SHC	PI	TC	SHC	PI	TC	SHC	PI	TC	SHC	PI	TC	SHC	PI	TC	SHC	PI
(1.5+1.5+1.5) + (1.5+2.5+2.5)	12	18	6490	4452	1410	8722	7044	1988	8072	6503	2342	8036	6510	2732	7742	6224	2851	7252	5866	3059	6958	5580	3178	
	14	20	6490	4452	1410	9372	7044	1988	8722	6570	2370	8624	6510	2762	8330	6296	2881	7742	5866	3089	7448	5652	3237	
	16	22	6490	4738	1432	10021	7044	2014	9279	6570	2398	9212	6510	2792	8918	6296	2940	8330	5866	3148	8036	5652	3267	
	18	25	6959	5080	1455	10671	7654	2040	9835	7112	2425	9800	7082	2822	9408	6796	2940	8820	6367	3178	8428	6081	3297	
	19	27	7194	5251	1477	11042	8060	2066	10207	7451	2453	10192	7440	2851	9800	7154	2970	9212	6725	3178	8820	6439	3297	
	22	30	7976	5194	1477	12248	7993	2066	11320	7383	2453	11270	7369	2881	10878	7082	3000	9800	6868	3297	9114	6725	3475	
	24	32	8523	5194	1499	13083	7993	2092	12062	7383	2480	12054	7369	2881	11564	7082	3029	10192	7011	3386	9310	6939	3594	
(1.5+1.5+1.5) + (1.5+2.5+3.5)	12	18	6490	4452	1410	8722	7044	1988	8072	6503	2342	8036	6510	2732	7742	6224	2851	7252	5866	3059	6958	5580	3178	
	14	20	6490	4452	1410	9372	7044	1988	8722	6570	2370	8624	6510	2762	8330	6296	2881	7742	5866	3089	7448	5652	3237	
	16	22	6490	4738	1432	10021	7044	2014	9279	6570	2398	9212	6510	2792	8918	6296	2940	8330	5866	3148	8036	5652	3267	
	18	25	6959	5080	1455	10671	7654	2040	9835	7112	2425	9800	7082	2822	9408	6796	2940	8820	6367	3178	8428	6081	3297	
	19	27	7194	5251	1477	11042	8060	2066	10207	7451	2453	10192	7440	2851	9800	7154	2970	9212	6725	3178	8820	6439	3297	
	22	30	7976	5194	1477	12248	7993	2066	11320	7383	2453	11270	7369	2881	10878	7082	3000	9800	6868	3297	9114	6725	3475	
	24	32	8523	5194	1499	13083	7993	2092	12062	7383	2480	12054	7369	2881	11564	7082	3029	10192	7011	3386	9310	6939	3594	
(1.5+1.5+1.5) + (1.5+3.5+3.5)	12	18	6490	4452	1410	8722	7044	1988	8072	6503	2342	8036	6510	2732	7742	6224	2851	7252	5866	3059	6958	5580	3178	
	14	20	6490	4452	1410	9372	7044	1988	8722	6570	2370	8624	6510	2762	8330	6296	2881	7742	5866	3089	7448	5652	3237	
	16	22	6490	4738	1432	10021	7044	2014	9279	6570	2398	9212	6510	2792	8918	6296	2940	8330	5866	3148	8036	5652	3267	
	18	25	6959	5080	1455	10671	7654	2040	9835	7112	2425	9800	7082	2822	9408	6796	2940	8820	6367	3178	8428	6081	3297	
	19	27	7194	5251	1477	11042	8060	2066	10207	7451	2453	10192	7440	2851	9800	7154	2970	9212	6725	3178	8820	6439	3297	
	22	30	7976	5194	1477	12248	7993	2066	11320	7383	2453	11270	7369	2881	10878	7082	3000	9800	6868	3297	9114	6725	3475	
	24	32	8523	5194	1499	13083	7993	2092	12062	7383	2480	12054	7369	2881	11564	7082	3029	10192	7011	3386	9310	6939	3594	
(1.5+1.5+1.5) + (1.8+1.8+1.8)	12	18	6490	4452	1410	8722	7044	1988	8072	6503	2342	8036	6510	2732	7742	6224	2851	7252	5866	3059	6958	5580	3178	
	14	20	6490	4452	1410	9372	7044	1988	8722	6570	2370	8624	6510	2762	8330	6296	2881	7742	5866	3089	7448	5652	3237	
	16	22	6490	4738	1432	10021	7044	2014	9279	6570	2398	9212	6510	2792	8918	6296	2940	8330	5866	3148	8036	5652	3267	
	18	25	6959	5080	1455	10671	7654	2040	9835	7112	2425	9800	7082	2822	9408	6796	2940	8820	6367	3178	8428	6081	3297	
	19	27	7194	5251	1477	11042	8060	2066	10207	7451	2453	10192	7440	2851	9800	7154	2970	9212	6725	3178	8820	6439	3297	
	22	30	7976	5194	1477	12248	7993	2066	11320	7383	2453	11270	7369	2881	10878	7082	3000	9800	6868	3297	9114	6725	3475	
	24	32	8523	5194	1499	13083	7993	2092	12062	7383	2480	12054	7369	2881	11564	7082	3029	10192	7011	3386	9310	6939	3594	
(1.5+1.5+1.5) + (1.8+1.8+2.5)	12	18	6490	4452	1410	8722	7044	1988	8072	6503	2342	8036	6510	2732	7742	6224	2851	7252	5866	3059	6958	5580	3178	
	14	20	6490	4452	1410	9372	7044	1988	8722	6570	2370	8624	6510	2762	8330	6296	2881	7742	5866	3089	7448	5652	3237	
	16	22	6490	4738	1432	10021	7044	2014	9279	6570	2398	9212	6510	2792	8918	6296	2940	8330	5866	3148	8036	5652	3267	
	18	25	6959	5080	1455	10671	7654	2040	9835	7112	2425	9800	7082	2822	9408	6796	2940	8820	6367	3178	8428	6081	3297	
	19	27	7194	5251	1477	11042	8060	2066	10207	7451	2453	10192	7440	2851	9800	7154	2970	9212	6725	3178	8820	6439	3297	
	22	30	7976	5194	1477	12248	7993	2066	11320	7383	2453	11270	7369	2881	10878	7082	3000	9800	6868	3297	9114	6725	3475	
	24	32	8523	5194	1499	13083	7993	2092	12062	7383	2480	12054	7369	2881	11564	7082	3029	10192	7011	3386	9310	6939	3594	
(1.5+1.5+1.5) + (1.8+1.8+3.5)	12	18	6490	4452	1410	8722	7044	1988	8072	6503	2342	8036	6510	2732	7742	6224	2851	7252	5866	3059	6958	5580	3178	
	14	20	6490	4452	1410	9372	7044	1988	8722	6570	2370	8624	6510	2762	8330	6296	2881	7742	5866	3089	7448	5652	3237	
	16	22	6490	4738	1432	10021	7044	2014	9279	6570	2398	9212	6510	2792	8918	6296	2940	8330	5866	3148	8036	5652	3267	
	18	25	6959	5080	1455	10671	7654	2040	9835	7112	2425	9800	7082	2822	9408	6796	2940	8820	6367	3178	8428	6081	3297	
	19	27	7194	5251	1477	11042	8060	2066	10207	7451	2453	10192	7440	2851	9800	7154	2970	9212	6725	3178	8820	6439	3297	
	22	30	7976	5194	1477	12248	7993	2066	11320	7383	2453	11270	7369	2881	10878	7082	3000	9800	6868	3297	9114	6725	3475	
	24	32	8523	5194	1499	13083	7993	2092	12062	7383	2480	12054	7369	2881	11564	7082	3029	10192	7011	3386	9310	6939	3594	



		INDOOR		OUTDOOR TEMPERATURE (°CDB)																			
				-10			21			27			32			35			40			43	
		EWB	EDB	TC	SHC	PI	TC	SHC	PI	TC	SHC	PI	TC	SHC	PI	TC	SHC	PI	TC	SHC	PI	TC	SHC
(1.5+1.5+1.5) + (1.8+1.8+5.0)	12	18	6490	4452	1410	8722	7044	1988	8072	6503	2342	8036	6510	2732	7742	6224	2851	7252	5866	3059	6958	5580	3178
	14	20	6490	4452	1410	9372	7044	1988	8722	6570	2370	8624	6510	2762	8330	6296	2881	7742	5866	3089	7448	5652	3237
	16	22	6490	4738	1432	10021	7044	2014	9279	6570	2398	9212	6510	2792	8918	6296	2940	8330	5866	3148	8036	5652	3267
	18	25	6959	5080	1455	10671	7654	2040	9835	7112	2425	9800	7082	2822	9408	6796	2940	8820	6367	3178	8428	6081	3297
	19	27	7194	5251	1477	11042	8060	2066	10207	7451	2453	10192	7440	2851	9800	7154	2970	9212	6725	3178	8820	6439	3297
	22	30	7976	5194	1477	12248	7993	2066	11320	7383	2453	11270	7369	2881	10878	7082	3000	9800	6868	3297	9114	6725	3475
	24	32	8523	5194	1499	13083	7993	2092	12062	7383	2480	12054	7369	2881	11564	7082	3029	10192	7011	3386	9310	6939	3594
(1.5+1.5+1.5) + (1.8+2.5+2.5)	12	18	6490	4452	1410	8722	7044	1988	8072	6503	2342	8036	6510	2732	7742	6224	2851	7252	5866	3059	6958	5580	3178
	14	20	6490	4452	1410	9372	7044	1988	8722	6570	2370	8624	6510	2762	8330	6296	2881	7742	5866	3089	7448	5652	3237
	16	22	6490	4738	1432	10021	7044	2014	9279	6570	2398	9212	6510	2792	8918	6296	2940	8330	5866	3148	8036	5652	3267
	18	25	6959	5080	1455	10671	7654	2040	9835	7112	2425	9800	7082	2822	9408	6796	2940	8820	6367	3178	8428	6081	3297
	19	27	7194	5251	1477	11042	8060	2066	10207	7451	2453	10192	7440	2851	9800	7154	2970	9212	6725	3178	8820	6439	3297
	22	30	7976	5194	1477	12248	7993	2066	11320	7383	2453	11270	7369	2881	10878	7082	3000	9800	6868	3297	9114	6725	3475
	24	32	8523	5194	1499	13083	7993	2092	12062	7383	2480	12054	7369	2881	11564	7082	3029	10192	7011	3386	9310	6939	3594
(1.5+1.5+1.5) + (1.8+2.5+3.5)	12	18	6490	4452	1410	8722	7044	1988	8072	6503	2342	8036	6510	2732	7742	6224	2851	7252	5866	3059	6958	5580	3178
	14	20	6490	4452	1410	9372	7044	1988	8722	6570	2370	8624	6510	2762	8330	6296	2881	7742	5866	3089	7448	5652	3237
	16	22	6490	4738	1432	10021	7044	2014	9279	6570	2398	9212	6510	2792	8918	6296	2940	8330	5866	3148	8036	5652	3267
	18	25	6959	5080	1455	10671	7654	2040	9835	7112	2425	9800	7082	2822	9408	6796	2940	8820	6367	3178	8428	6081	3297
	19	27	7194	5251	1477	11042	8060	2066	10207	7451	2453	10192	7440	2851	9800	7154	2970	9212	6725	3178	8820	6439	3297
	22	30	7976	5194	1477	12248	7993	2066	11320	7383	2453	11270	7369	2881	10878	7082	3000	9800	6868	3297	9114	6725	3475
	24	32	8523	5194	1499	13083	7993	2092	12062	7383	2480	12054	7369	2881	11564	7082	3029	10192	7011	3386	9310	6939	3594
(1.5+1.5+1.5) + (1.8+3.5+3.5)	12	18	6490	4452	1410	8722	7044	1988	8072	6503	2342	8036	6510	2732	7742	6224	2851	7252	5866	3059	6958	5580	3178
	14	20	6490	4452	1410	9372	7044	1988	8722	6570	2370	8624	6510	2762	8330	6296	2881	7742	5866	3089	7448	5652	3237
	16	22	6490	4738	1432	10021	7044	2014	9279	6570	2398	9212	6510	2792	8918	6296	2940	8330	5866	3148	8036	5652	3267
	18	25	6959	5080	1455	10671	7654	2040	9835	7112	2425	9800	7082	2822	9408	6796	2940	8820	6367	3178	8428	6081	3297
	19	27	7194	5251	1477	11042	8060	2066	10207	7451	2453	10192	7440	2851	9800	7154	2970	9212	6725	3178	8820	6439	3297
	22	30	7976	5194	1477	12248	7993	2066	11320	7383	2453	11270	7369	2881	10878	7082	3000	9800	6868	3297	9114	6725	3475
	24	32	8523	5194	1499	13083	7993	2092	12062	7383	2480	12054	7369	2881	11564	7082	3029	10192	7011	3386	9310	6939	3594
(1.5+1.5+1.5) + (2.5+2.5+2.5)	12	18	6490	4452	1410	8722	7044	1988	8072	6503	2342	8036	6510	2732	7742	6224	2851	7252	5866	3059	6958	5580	3178
	14	20	6490	4452	1410	9372	7044	1988	8722	6570	2370	8624	6510	2762	8330	6296	2881	7742	5866	3089	7448	5652	3237
	16	22	6490	4738	1432	10021	7044	2014	9279	6570	2398	9212	6510	2792	8918	6296	2940	8330	5866	3148	8036	5652	3267
	18	25	6959	5080	1455	10671	7654	2040	9835	7112	2425	9800	7082	2822	9408	6796	2940	8820	6367	3178	8428	6081	3297
	19	27	7194	5251	1477	11042	8060	2066	10207	7451	2453	10192	7440	2851	9800	7154	2970	9212	6725	3178	8820	6439	3297
	22	30	7976	5194	1477	12248	7993	2066	11320	7383	2453	11270	7369	2881	10878	7082	3000	9800	6868	3297	9114	6725	3475
	24	32	8523	5194	1499	13083	7993	2092	12062	7383	2480	12054	7369	2881	11564	7082	3029	10192	7011	3386	9310	6939	3594
(1.5+1.5+1.5) + (2.5+2.5+3.5)	12	18	6490	4452	1410	8722	7044	1988	8072	6503	2342	8036	6510	2732	7742	6224	2851	7252	5866	3059	6958	5580	3178
	14	20	6490	4452	1410	9372	7044	1988	8722	6570	2370	8624	6510	2762	8330	6296	2881	7742	5866	3089	7448	5652	3237
	16	22	6490	4738	1432	10021	7044	2014	9279	6570	2398	9212	6510	2792	8918	6296	2940	8330	5866	3148	8036	5652	3267
	18	25	6959	5080	1455	10671	7654	2040	9835	7112	2425	9800	7082	2822	9408	6796	2940	8820	6367	3178	8428	6081	3297
	19	27	7194	5251	1477	11042	8060	2066	10207	7451	2453	10192	7440	2851	9800	7154	2970	9212	6725	3178	8820	6439	3297
	22	30	7976	5194	1477	12248	7993	2066	11320	7383	2453	11270	7369	2881	10878	7082	3000	9800	6868	3297	9114	6725	3475
	24	32	8523	5194	1499	13083	7993	2092	12062	7383	2480	12054	7369	2881	11564	7082	3029	10192	7011	3386	9310	6939	3594

		INDOOR		OUTDOOR TEMPERATURE (°CDB)																				
		EWB	EDB	-10			21			27			32			35			40			43		
		°C	°C	TC	SHC	PI	TC	SHC	PI	TC	SHC	PI	TC	SHC	PI	TC	SHC	PI	TC	SHC	PI	TC	SHC	PI
(1.5+1.5+1.8) + (1.5+1.5+1.5)	12	18	6159	4225	1349	8277	6685	1901	7661	6171	2240	7626	6178	2613	7347	5906	2726	6882	5567	2925	6603	5295	3039	
	14	20	6159	4225	1349	8893	6685	1901	8277	6235	2266	8184	6178	2641	7905	5974	2755	7347	5567	2954	7068	5363	3096	
	16	22	6159	4496	1370	9510	6685	1926	8805	6235	2293	8742	6178	2670	8463	5974	2812	7905	5567	3010	7626	5363	3124	
	18	25	6604	4821	1391	10126	7264	1951	9334	6749	2319	9300	6721	2698	8928	6450	2812	8370	6042	3039	7998	5771	3152	
	19	27	6827	4983	1412	10478	7649	1976	9686	7071	2345	9672	7061	2726	9300	6789	2840	8742	6382	3039	8370	6110	3152	
	22	30	7569	4929	1412	11623	7585	1976	10742	7006	2345	10695	6993	2755	10323	6721	2868	9300	6517	3152	8649	6382	3323	
	24	32	8088	4929	1433	12416	7585	2001	11447	7006	2372	11439	6993	2755	10974	6721	2897	9672	6653	3238	8835	6585	3436	
(1.5+1.5+1.8) + (1.5+1.5+1.8)	12	18	6357	4361	1396	8544	6901	1967	7908	6370	2319	7872	6377	2705	7584	6097	2822	7104	5747	3028	6816	5466	3146	
	14	20	6357	4361	1396	9180	6901	1967	8544	6436	2346	8448	6377	2734	8160	6167	2852	7584	5747	3058	7296	5536	3205	
	16	22	6357	4641	1418	9817	6901	1993	9089	6436	2373	9024	6377	2764	8736	6167	2911	8160	5747	3116	7872	5536	3234	
	18	25	6817	4976	1440	10453	7498	2019	9635	6967	2401	9600	6938	2793	9216	6658	2911	8640	6237	3146	8256	5957	3263	
	19	27	7047	5144	1462	10816	7896	2045	9998	7299	2428	9984	7288	2822	9600	7008	2940	9024	6588	3146	8640	6307	3263	
	22	30	7813	5088	1462	11998	7830	2045	11089	7232	2428	11040	7218	2852	10656	6938	2969	9600	6728	3263	8928	6588	3440	
	24	32	8349	5088	1483	12816	7830	2071	11816	7232	2455	11808	7218	2852	11328	6938	2999	9984	6868	3352	9120	6798	3557	
(1.5+1.5+1.8) + (1.5+1.5+2.5)	12	18	6689	4589	1458	8989	7260	2054	8320	6702	2421	8282	6709	2824	7979	6415	2947	7474	6046	3162	7171	5751	3285	
	14	20	6689	4589	1458	9658	7260	2054	8989	6771	2450	8888	6709	2855	8585	6488	2978	7979	6046	3193	7676	5825	3346	
	16	22	6689	4883	1481	10328	7260	2081	9563	6771	2478	9494	6709	2886	9191	6488	3039	8585	6046	3254	8282	5825	3377	
	18	25	7172	5236	1503	10997	7888	2109	10137	7330	2507	10100	7299	2917	9696	7004	3039	9090	6562	3285	8686	6267	3408	
	19	27	7414	5412	1526	11380	8307	2136	10519	7679	2535	10504	7668	2947	10100	7373	3070	9494	6931	3285	9090	6636	3408	
	22	30	8220	5353	1526	12623	8237	2136	11667	7609	2535	11615	7594	2978	11211	7299	3101	10100	7078	3408	9393	6931	3592	
	24	32	8784	5353	1549	13484	8237	2163	12432	7609	2564	12423	7594	2978	11918	7299	3131	10504	7226	3500	9595	7152	3715	
(1.5+1.5+1.8) + (1.5+1.5+3.5)	12	18	6689	4589	1458	8989	7260	2054	8320	6702	2421	8282	6709	2824	7979	6415	2947	7474	6046	3162	7171	5751	3285	
	14	20	6689	4589	1458	9658	7260	2054	8989	6771	2450	8888	6709	2855	8585	6488	2978	7979	6046	3193	7676	5825	3346	
	16	22	6689	4883	1481	10328	7260	2081	9563	6771	2478	9494	6709	2886	9191	6488	3039	8585	6046	3254	8282	5825	3377	
	18	25	7172	5236	1503	10997	7888	2109	10137	7330	2507	10100	7299	2917	9696	7004	3039	9090	6562	3285	8686	6267	3408	
	19	27	7414	5412	1526	11380	8307	2136	10519	7679	2535	10504	7668	2947	10100	7373	3070	9494	6931	3285	9090	6636	3408	
	22	30	8220	5353	1526	12623	8237	2136	11667	7609	2535	11615	7594	2978	11211	7299	3101	10100	7078	3408	9393	6931	3592	
	24	32	8784	5353	1549	13484	8237	2163	12432	7609	2564	12423	7594	2978	11918	7299	3131	10504	7226	3500	9595	7152	3715	
(1.5+1.5+1.8) + (1.5+1.5+5.0)	12	18	6689	4589	1458	8989	7260	2054	8320	6702	2421	8282	6709	2824	7979	6415	2947	7474	6046	3162	7171	5751	3285	
	14	20	6689	4589	1458	9658	7260	2054	8989	6771	2450	8888	6709	2855	8585	6488	2978	7979	6046	3193	7676	5825	3346	
	16	22	6689	4883	1481	10328	7260	2081	9563	6771	2478	9494	6709	2886	9191	6488	3039	8585	6046	3254	8282	5825	3377	
	18	25	7172	5236	1503	10997	7888	2109	10137	7330	2507	10100	7299	2917	9696	7004	3039	9090	6562	3285	8686	6267	3408	
	19	27	7414	5412	1526	11380	8307	2136	10519	7679	2535	10504	7668	2947	10100	7373	3070	9494	6931	3285	9090	6636	3408	
	22	30	8220	5353	1526	12623	8237	2136	11667	7609	2535	11615	7594	2978	11211	7299	3101	10100	7078	3408	9393	6931	3592	
	24	32	8784	5353	1549	13484	8237	2163	12432	7609	2564	12423	7594	2978	11918	7299	3131	10504	7226	3500	9595	7152	3715	
(1.5+1.5+1.8) + (1.5+1.8+1.8)	12	18	6556	4498	1434	8811	7116	2021	8155	6569	2382	8118	6577	2778	7821	6287	2899	7326	5926	3111	7029	5637	3231	
	14	20	6556	4498	1434	9467	7116	2021	8811	6637	2410	8712	6577	2809	8415	6360	2929	7821	5926	3141	7524	5709	3292	
	16	22	6556	4786	1457	10123	7116	2048	9373	6637	2438	9306	6577	2839	9009	6360	2990	8415	5926	3201	8118	5709	3322	
	18	25	7030	5132	1479	10779	7732	2074	9936	7185	2466	9900	7155	2869	9504	6866	2990	8910	6432	3231	8514	6143	3352	
	19	27	7267	5305	1501	11154	8143	2101	10311	7527	2494	10296	7516	2899	9900	7227	3020	9306	6793	3231	8910	6504	3352	
	22	30	8057	5247	1501	12373	8074	2101	11436	7458	2494	11385	7444	2929	10989	7155	3050	9900	6938	3352	9207	6793	3533	
	24	32	8610	5247	1524	13217	8074	2127	12185	7458	2522	12177	7444	2929	11682	7155	3080	10296	7082	3443	9405	7010	3654	

		INDOOR		OUTDOOR TEMPERATURE (°CDB)																				
		EWB	EDB	-10			21			27			32			35			40			43		
		°C	°C	TC	SHC	PI	TC	SHC	PI	TC	SHC	PI	TC	SHC	PI	TC	SHC	PI	TC	SHC	PI	TC	SHC	PI
(1.5+1.5+1.8) + (1.5+1.8+2.5)	12	18	6689	4589	1458	8989	7260	2054	8320	6702	2421	8282	6709	2824	7979	6415	2947	7474	6046	3162	7171	5751	3285	
	14	20	6689	4589	1458	9658	7260	2054	8989	6771	2450	8888	6709	2855	8585	6488	2978	7979	6046	3193	7676	5825	3346	
	16	22	6689	4883	1481	10328	7260	2081	9563	6771	2478	9494	6709	2886	9191	6488	3039	8585	6046	3254	8282	5825	3377	
	18	25	7172	5236	1503	10997	7888	2109	10137	7330	2507	10100	7299	2917	9696	7004	3039	9090	6562	3285	8686	6267	3408	
	19	27	7414	5412	1526	11380	8307	2136	10519	7679	2535	10504	7668	2947	10100	7373	3070	9494	6931	3285	9090	6636	3408	
	22	30	8220	5353	1526	12623	8237	2136	11667	7609	2535	11615	7594	2978	11211	7299	3101	10100	7078	3408	9393	6931	3592	
	24	32	8784	5353	1549	13484	8237	2163	12432	7609	2564	12423	7594	2978	11918	7299	3131	10504	7226	3500	9595	7152	3715	
(1.5+1.5+1.8) + (1.5+1.8+3.5)	12	18	6689	4589	1458	8989	7260	2054	8320	6702	2421	8282	6709	2824	7979	6415	2947	7474	6046	3162	7171	5751	3285	
	14	20	6689	4589	1458	9658	7260	2054	8989	6771	2450	8888	6709	2855	8585	6488	2978	7979	6046	3193	7676	5825	3346	
	16	22	6689	4883	1481	10328	7260	2081	9563	6771	2478	9494	6709	2886	9191	6488	3039	8585	6046	3254	8282	5825	3377	
	18	25	7172	5236	1503	10997	7888	2109	10137	7330	2507	10100	7299	2917	9696	7004	3039	9090	6562	3285	8686	6267	3408	
	19	27	7414	5412	1526	11380	8307	2136	10519	7679	2535	10504	7668	2947	10100	7373	3070	9494	6931	3285	9090	6636	3408	
	22	30	8220	5353	1526	12623	8237	2136	11667	7609	2535	11615	7594	2978	11211	7299	3101	10100	7078	3408	9393	6931	3592	
	24	32	8784	5353	1549	13484	8237	2163	12432	7609	2564	12423	7594	2978	11918	7299	3131	10504	7226	3500	9595	7152	3715	
(1.5+1.5+1.8) + (1.5+1.8+5.0)	12	18	6689	4589	1458	8989	7260	2054	8320	6702	2421	8282	6709	2824	7979	6415	2947	7474	6046	3162	7171	5751	3285	
	14	20	6689	4589	1458	9658	7260	2054	8989	6771	2450	8888	6709	2855	8585	6488	2978	7979	6046	3193	7676	5825	3346	
	16	22	6689	4883	1481	10328	7260	2081	9563	6771	2478	9494	6709	2886	9191	6488	3039	8585	6046	3254	8282	5825	3377	
	18	25	7172	5236	1503	10997	7888	2109	10137	7330	2507	10100	7299	2917	9696	7004	3039	9090	6562	3285	8686	6267	3408	
	19	27	7414	5412	1526	11380	8307	2136	10519	7679	2535	10504	7668	2947	10100	7373	3070	9494	6931	3285	9090	6636	3408	
	22	30	8220	5353	1526	12623	8237	2136	11667	7609	2535	11615	7594	2978	11211	7299	3101	10100	7078	3408	9393	6931	3592	
	24	32	8784	5353	1549	13484	8237	2163	12432	7609	2564	12423	7594	2978	11918	7299	3131	10504	7226	3500	9595	7152	3715	
(1.5+1.5+1.8) + (1.5+2.5+2.5)	12	18	6689	4589	1458	8989	7260	2054	8320	6702	2421	8282	6709	2824	7979	6415	2947	7474	6046	3162	7171	5751	3285	
	14	20	6689	4589	1458	9658	7260	2054	8989	6771	2450	8888	6709	2855	8585	6488	2978	7979	6046	3193	7676	5825	3346	
	16	22	6689	4883	1481	10328	7260	2081	9563	6771	2478	9494	6709	2886	9191	6488	3039	8585	6046	3254	8282	5825	3377	
	18	25	7172	5236	1503	10997	7888	2109	10137	7330	2507	10100	7299	2917	9696	7004	3039	9090	6562	3285	8686	6267	3408	
	19	27	7414	5412	1526	11380	8307	2136	10519	7679	2535	10504	7668	2947	10100	7373	3070	9494	6931	3285	9090	6636	3408	
	22	30	8220	5353	1526	12623	8237	2136	11667	7609	2535	11615	7594	2978	11211	7299	3101	10100	7078	3408	9393	6931	3592	
	24	32	8784	5353	1549	13484	8237	2163	12432	7609	2564	12423	7594	2978	11918	7299	3131	10504	7226	3500	9595	7152	3715	
(1.5+1.5+1.8) + (1.5+2.5+3.5)	12	18	6689	4589	1458	8989	7260	2054	8320	6702	2421	8282	6709	2824	7979	6415	2947	7474	6046	3162	7171	5751	3285	
	14	20	6689	4589	1458	9658	7260	2054	8989	6771	2450	8888	6709	2855	8585	6488	2978	7979	6046	3193	7676	5825	3346	
	16	22	6689	4883	1481	10328	7260	2081	9563	6771	2478	9494	6709	2886	9191	6488	3039	8585	6046	3254	8282	5825	3377	
	18	25	7172	5236	1503	10997	7888	2109	10137	7330	2507	10100	7299	2917	9696	7004	3039	9090	6562	3285	8686	6267	3408	
	19	27	7414	5412	1526	11380	8307	2136	10519	7679	2535	10504	7668	2947	10100	7373	3070	9494	6931	3285	9090	6636	3408	
	22	30	8220	5353	1526	12623	8237	2136	11667	7609	2535	11615	7594	2978	11211	7299	3101	10100	7078	3408	9393	6931	3592	
	24	32	8784	5353	1549	13484	8237	2163	12432	7609	2564	12423	7594	2978	11918	7299	3131	10504	7226	3500	9595	7152	3715	
(1.5+1.5+1.8) + (1.5+3.5+3.5)	12	18	6689	4589	1458	8989	7260	2054	8320	6702	2421	8282	6709	2824	7979	6415	2947	7474	6046	3162	7171	5751	3285	
	14	20	6689	4589	1458	9658	7260	2054	8989	6771	2450	8888	6709	2855	8585	6488	2978	7979	6046	3193	7676	5825	3346	
	16	22	6689	4883	1481	10328	7260	2081	9563	6771	2478	9494	6709	2886	9191	6488	3039	8585	6046	3254	8282	5825	3377	
	18	25	7172	5236	1503	10997	7888	2109	10137	7330	2507	10100	7299	2917	9696	7004	3039	9090	6562	3285	8686	6267	3408	
	19	27	7414	5412	1526	11380	8307	2136	10519	7679	2535	10504	7668	2947	10100	7373	3070	9494	6931	3285	9090	6636	3408	
	22	30	8220	5353	1526	12623	8237	2136	11667	7609	2535	11615	7594	2978	11211	7299	3101	10100	7078	3408	9393	6931	3592	
	24	32	8784	5353	1549	13484	8237	2163	12432	7609	2564	12423	7594	2978	11918	7299	3131	10504	7226	3500	9595	7152	3715	

	INDOOR		OUTDOOR TEMPERATURE (°CDB)																				
	EWB	EDB	-10			21			27			32			35			40			43		
	°C	°C	TC	SHC	PI	TC	SHC	PI	TC	SHC	PI	TC	SHC	PI	TC	SHC	PI	TC	SHC	PI	TC	SHC	PI
(1.5+1.5+1.8) + (1.8+1.8+1.8)	12	18	6689	4589	1458	8989	7260	2054	8320	6702	2421	8282	6709	2824	7979	6415	2947	7474	6046	3162	7171	5751	3285
	14	20	6689	4589	1458	9658	7260	2054	8989	6771	2450	8888	6709	2855	8585	6488	2978	7979	6046	3193	7676	5825	3346
	16	22	6689	4883	1481	10328	7260	2081	9563	6771	2478	9494	6709	2886	9191	6488	3039	8585	6046	3254	8282	5825	3377
	18	25	7172	5236	1503	10997	7888	2109	10137	7330	2507	10100	7299	2917	9696	7004	3039	9090	6562	3285	8686	6267	3408
	19	27	7414	5412	1526	11380	8307	2136	10519	7679	2535	10504	7668	2947	10100	7373	3070	9494	6931	3285	9090	6636	3408
	22	30	8220	5353	1526	12623	8237	2136	11667	7609	2535	11615	7594	2978	11211	7299	3101	10100	7078	3408	9393	6931	3592
	24	32	8784	5353	1549	13484	8237	2163	12432	7609	2564	12423	7594	2978	11918	7299	3131	10504	7226	3500	9595	7152	3715
(1.5+1.5+1.8) + (1.8+1.8+2.5)	12	18	6689	4589	1458	8989	7260	2054	8320	6702	2421	8282	6709	2824	7979	6415	2947	7474	6046	3162	7171	5751	3285
	14	20	6689	4589	1458	9658	7260	2054	8989	6771	2450	8888	6709	2855	8585	6488	2978	7979	6046	3193	7676	5825	3346
	16	22	6689	4883	1481	10328	7260	2081	9563	6771	2478	9494	6709	2886	9191	6488	3039	8585	6046	3254	8282	5825	3377
	18	25	7172	5236	1503	10997	7888	2109	10137	7330	2507	10100	7299	2917	9696	7004	3039	9090	6562	3285	8686	6267	3408
	19	27	7414	5412	1526	11380	8307	2136	10519	7679	2535	10504	7668	2947	10100	7373	3070	9494	6931	3285	9090	6636	3408
	22	30	8220	5353	1526	12623	8237	2136	11667	7609	2535	11615	7594	2978	11211	7299	3101	10100	7078	3408	9393	6931	3592
	24	32	8784	5353	1549	13484	8237	2163	12432	7609	2564	12423	7594	2978	11918	7299	3131	10504	7226	3500	9595	7152	3715
(1.5+1.5+1.8) + (1.8+1.8+3.5)	12	18	6689	4589	1458	8989	7260	2054	8320	6702	2421	8282	6709	2824	7979	6415	2947	7474	6046	3162	7171	5751	3285
	14	20	6689	4589	1458	9658	7260	2054	8989	6771	2450	8888	6709	2855	8585	6488	2978	7979	6046	3193	7676	5825	3346
	16	22	6689	4883	1481	10328	7260	2081	9563	6771	2478	9494	6709	2886	9191	6488	3039	8585	6046	3254	8282	5825	3377
	18	25	7172	5236	1503	10997	7888	2109	10137	7330	2507	10100	7299	2917	9696	7004	3039	9090	6562	3285	8686	6267	3408
	19	27	7414	5412	1526	11380	8307	2136	10519	7679	2535	10504	7668	2947	10100	7373	3070	9494	6931	3285	9090	6636	3408
	22	30	8220	5353	1526	12623	8237	2136	11667	7609	2535	11615	7594	2978	11211	7299	3101	10100	7078	3408	9393	6931	3592
	24	32	8784	5353	1549	13484	8237	2163	12432	7609	2564	12423	7594	2978	11918	7299	3131	10504	7226	3500	9595	7152	3715
(1.5+1.5+1.8) + (1.8+1.8+5.0)	12	18	6689	4589	1458	8989	7260	2054	8320	6702	2421	8282	6709	2824	7979	6415	2947	7474	6046	3162	7171	5751	3285
	14	20	6689	4589	1458	9658	7260	2054	8989	6771	2450	8888	6709	2855	8585	6488	2978	7979	6046	3193	7676	5825	3346
	16	22	6689	4883	1481	10328	7260	2081	9563	6771	2478	9494	6709	2886	9191	6488	3039	8585	6046	3254	8282	5825	3377
	18	25	7172	5236	1503	10997	7888	2109	10137	7330	2507	10100	7299	2917	9696	7004	3039	9090	6562	3285	8686	6267	3408
	19	27	7414	5412	1526	11380	8307	2136	10519	7679	2535	10504	7668	2947	10100	7373	3070	9494	6931	3285	9090	6636	3408
	22	30	8220	5353	1526	12623	8237	2136	11667	7609	2535	11615	7594	2978	11211	7299	3101	10100	7078	3408	9393	6931	3592
	24	32	8784	5353	1549	13484	8237	2163	12432	7609	2564	12423	7594	2978	11918	7299	3131	10504	7226	3500	9595	7152	3715
(1.5+1.5+1.8) + (1.8+2.5+2.5)	12	18	6689	4589	1458	8989	7260	2054	8320	6702	2421	8282	6709	2824	7979	6415	2947	7474	6046	3162	7171	5751	3285
	14	20	6689	4589	1458	9658	7260	2054	8989	6771	2450	8888	6709	2855	8585	6488	2978	7979	6046	3193	7676	5825	3346
	16	22	6689	4883	1481	10328	7260	2081	9563	6771	2478	9494	6709	2886	9191	6488	3039	8585	6046	3254	8282	5825	3377
	18	25	7172	5236	1503	10997	7888	2109	10137	7330	2507	10100	7299	2917	9696	7004	3039	9090	6562	3285	8686	6267	3408
	19	27	7414	5412	1526	11380	8307	2136	10519	7679	2535	10504	7668	2947	10100	7373	3070	9494	6931	3285	9090	6636	3408
	22	30	8220	5353	1526	12623	8237	2136	11667	7609	2535	11615	7594	2978	11211	7299	3101	10100	7078	3408	9393	6931	3592
	24	32	8784	5353	1549	13484	8237	2163	12432	7609	2564	12423	7594	2978	11918	7299	3131	10504	7226	3500	9595	7152	3715
(1.5+1.5+1.8) + (1.8+2.5+3.5)	12	18	6689	4589	1458	8989	7260	2054	8320	6702	2421	8282	6709	2824	7979	6415	2947	7474	6046	3162	7171	5751	3285
	14	20	6689	4589	1458	9658	7260	2054	8989	6771	2450	8888	6709	2855	8585	6488	2978	7979	6046	3193	7676	5825	3346
	16	22	6689	4883	1481	10328	7260	2081	9563	6771	2478	9494	6709	2886	9191	6488	3039	8585	6046	3254	8282	5825	3377
	18	25	7172	5236	1503	10997	7888	2109	10137	7330	2507	10100	7299	2917	9696	7004	3039	9090	6562	3285	8686	6267	3408
	19	27	7414	5412	1526	11380	8307	2136	10519	7679	2535	10504	7668	2947	10100	7373	3070	9494	6931	3285	9090	6636	3408
	22	30	8220	5353	1526	12623	8237	2136	11667	7609	2535	11615	7594	2978	11211	7299	3101	10100	7078	3408	9393	6931	3592
	24	32	8784	5353	1549	13484	8237	2163	12432	7609	2564	12423	7594	2978	11918	7299	3131	10504	7226	3500	9595	7152	3715

	INDOOR		OUTDOOR TEMPERATURE (°CDB)																				
	EWB	EDB	-10			21			27			32			35			40			43		
	°C	°C	TC	SHC	PI	TC	SHC	PI	TC	SHC	PI	TC	SHC	PI	TC	SHC	PI	TC	SHC	PI	TC	SHC	PI
(1.5+1.5+1.8) + (1.8+3.5+3.5)	12	18	6689	4589	1458	8989	7260	2054	8320	6702	2421	8282	6709	2824	7979	6415	2947	7474	6046	3162	7171	5751	3285
	14	20	6689	4589	1458	9658	7260	2054	8989	6771	2450	8888	6709	2855	8585	6488	2978	7979	6046	3193	7676	5825	3346
	16	22	6689	4883	1481	10328	7260	2081	9563	6771	2478	9494	6709	2886	9191	6488	3039	8585	6046	3254	8282	5825	3377
	18	25	7172	5236	1503	10997	7888	2109	10137	7330	2507	10100	7299	2917	9696	7004	3039	9090	6562	3285	8686	6267	3408
	19	27	7414	5412	1526	11380	8307	2136	10519	7679	2535	10504	7668	2947	10100	7373	3070	9494	6931	3285	9090	6636	3408
	22	30	8220	5353	1526	12623	8237	2136	11667	7609	2535	11615	7594	2978	11211	7299	3101	10100	7078	3408	9393	6931	3592
	24	32	8784	5353	1549	13484	8237	2163	12432	7609	2564	12423	7594	2978	11918	7299	3131	10504	7226	3500	9595	7152	3715
(1.5+1.5+1.8) + (2.5+2.5+2.5)	12	18	6689	4589	1458	8989	7260	2054	8320	6702	2421	8282	6709	2824	7979	6415	2947	7474	6046	3162	7171	5751	3285
	14	20	6689	4589	1458	9658	7260	2054	8989	6771	2450	8888	6709	2855	8585	6488	2978	7979	6046	3193	7676	5825	3346
	16	22	6689	4883	1481	10328	7260	2081	9563	6771	2478	9494	6709	2886	9191	6488	3039	8585	6046	3254	8282	5825	3377
	18	25	7172	5236	1503	10997	7888	2109	10137	7330	2507	10100	7299	2917	9696	7004	3039	9090	6562	3285	8686	6267	3408
	19	27	7414	5412	1526	11380	8307	2136	10519	7679	2535	10504	7668	2947	10100	7373	3070	9494	6931	3285	9090	6636	3408
	22	30	8220	5353	1526	12623	8237	2136	11667	7609	2535	11615	7594	2978	11211	7299	3101	10100	7078	3408	9393	6931	3592
	24	32	8784	5353	1549	13484	8237	2163	12432	7609	2564	12423	7594	2978	11918	7299	3131	10504	7226	3500	9595	7152	3715
(1.5+1.5+1.8) + (2.5+2.5+3.5)	12	18	6689	4589	1458	8989	7260	2054	8320	6702	2421	8282	6709	2824	7979	6415	2947	7474	6046	3162	7171	5751	3285
	14	20	6689	4589	1458	9658	7260	2054	8989	6771	2450	8888	6709	2855	8585	6488	2978	7979	6046	3193	7676	5825	3346
	16	22	6689	4883	1481	10328	7260	2081	9563	6771	2478	9494	6709	2886	9191	6488	3039	8585	6046	3254	8282	5825	3377
	18	25	7172	5236	1503	10997	7888	2109	10137	7330	2507	10100	7299	2917	9696	7004	3039	9090	6562	3285	8686	6267	3408
	19	27	7414	5412	1526	11380	8307	2136	10519	7679	2535	10504	7668	2947	10100	7373	3070	9494	6931	3285	9090	6636	3408
	22	30	8220	5353	1526	12623	8237	2136	11667	7609	2535	11615	7594	2978	11211	7299	3101	10100	7078	3408	9393	6931	3592
	24	32	8784	5353	1549	13484	8237	2163	12432	7609	2564	12423	7594	2978	11918	7299	3131	10504	7226	3500	9595	7152	3715
(1.5+1.5+2.5) + (1.5+1.5+1.5)	12	18	6490	4452	1410	8722	7044	1988	8072	6503	2342	8036	6510	2732	7742	6224	2851	7252	5866	3059	6958	5580	3178
	14	20	6490	4452	1410	9372	7044	1988	8722	6570	2370	8624	6510	2762	8330	6296	2881	7742	5866	3089	7448	5652	3237
	16	22	6490	4738	1432	10021	7044	2014	9279	6570	2398	9212	6510	2792	8918	6296	2940	8330	5866	3148	8036	5652	3267
	18	25	6959	5080	1455	10671	7654	2040	9835	7112	2425	9800	7082	2822	9408	6796	2940	8820	6367	3178	8428	6081	3297
	19	27	7194	5251	1477	11042	8060	2066	10207	7451	2453	10192	7440	2851	9800	7154	2970	9212	6725	3178	8820	6439	3297
	22	30	7976	5194	1477	12248	7993	2066	11320	7383	2453	11270	7369	2881	10878	7082	3000	9800	6868	3297	9114	6725	3475
	24	32	8523	5194	1499	13083	7993	2092	12062	7383	2480	12054	7369	2881	11564	7082	3029	10192	7011	3386	9310	6939	3594
(1.5+1.5+2.5) + (1.5+1.5+1.8)	12	18	6689	4589	1458	8989	7260	2054	8320	6702	2421	8282	6709	2824	7979	6415	2947	7474	6046	3162	7171	5751	3285
	14	20	6689	4589	1458	9658	7260	2054	8989	6771	2450	8888	6709	2855	8585	6488	2978	7979	6046	3193	7676	5825	3346
	16	22	6689	4883	1481	10328	7260	2081	9563	6771	2478	9494	6709	2886	9191	6488	3039	8585	6046	3254	8282	5825	3377
	18	25	7172	5236	1503	10997	7888	2109	10137	7330	2507	10100	7299	2917	9696	7004	3039	9090	6562	3285	8686	6267	3408
	19	27	7414	5412	1526	11380	8307	2136	10519	7679	2535	10504	7668	2947	10100	7373	3070	9494	6931	3285	9090	6636	3408
	22	30	8220	5353	1526	12623	8237	2136	11667	7609	2535	11615	7594	2978	11211	7299	3101	10100	7078	3408	9393	6931	3592
	24	32	8784	5353	1549	13484	8237	2163	12432	7609	2564	12423	7594	2978	11918	7299	3131	10504	7226	3500	9595	7152	3715
(1.5+1.5+2.5) + (1.5+1.5+2.5)	12	18	7020	4816	1520	9434	7619	2141	8731	7033	2524	8692	7042	2944	8374	6732	3072	7844	6345	3296	7526	6036	3424
	14	20	7020	4816	1520	10137	7619	2141	9434	7107	2554	9328	7042	2976	9010	6809	3104	8374	6345	3328	8056	6113	3488
	16	22	7020	5124	1543	10839	7619	2170	10036	7107	2583	9964	7042	3008	9646	6809	3168	9010	6345	3392	8692	6113	3520
	18	25	7527	5495	1567	11542	8279	2198	10638	7693	2613	10600	7661	3040	10176	7351	3168	9540	6887	3424	9116	6577	3552
	19	27	7781	5680	1591	11943	8718	2226	11040	8059	2643	11024	8048	3072	10600	7738	3200	9964	7274	3424	9540	6964	3552
	22	30	8627	5618	1591	13248	8645	2226	12244	7986	2643	12190	7970	3104	11766	7661	3232	10600	7428	3552	9858	7274	3744
	24	32	9219	5618	1615	14151	8645	2254	13047	7986	2672	13038	7970	3104	12508	7661	3264	11024	7583	3648	10070	7506	3872

INDOOR		OUTDOOR TEMPERATURE (°CDB)																						
		EWB	EDB	-10			21			27			32			35			40			43		
				°C	°C	TC	SHC	PI	TC	SHC	PI	TC	SHC	PI	TC	SHC	PI	TC	SHC	PI	TC	SHC	PI	
(1.5+1.5+2.5) + (1.5+1.5+3.5)	12	18	7020	4816	1520	9434	7619	2141	8731	7033	2524	8692	7042	2944	8374	6732	3072	7844	6345	3296	7526	6036	3424	
	14	20	7020	4816	1520	10137	7619	2141	9434	7107	2554	9328	7042	2976	9010	6809	3104	8374	6345	3328	8056	6113	3488	
	16	22	7020	5124	1543	10839	7619	2170	10036	7107	2583	9964	7042	3008	9646	6809	3168	9010	6345	3392	8692	6113	3520	
	18	25	7527	5495	1567	11542	8279	2198	10638	7693	2613	10600	7661	3040	10176	7351	3168	9540	6887	3424	9116	6577	3552	
	19	27	7781	5680	1591	11943	8718	2226	11040	8059	2643	11024	8048	3072	10600	7738	3200	9964	7274	3424	9540	6964	3552	
	22	30	8627	5618	1591	13248	8645	2226	12244	7986	2643	12190	7970	3104	11766	7661	3232	10600	7428	3552	9858	7274	3744	
	24	32	9219	5618	1615	14151	8645	2254	13047	7986	2672	13038	7970	3104	12508	7661	3264	11024	7583	3648	10070	7506	3872	
(1.5+1.5+2.5) + (1.5+1.5+5.0)	12	18	7020	4816	1520	9434	7619	2141	8731	7033	2524	8692	7042	2944	8374	6732	3072	7844	6345	3296	7526	6036	3424	
	14	20	7020	4816	1520	10137	7619	2141	9434	7107	2554	9328	7042	2976	9010	6809	3104	8374	6345	3328	8056	6113	3488	
	16	22	7020	5124	1543	10839	7619	2170	10036	7107	2583	9964	7042	3008	9646	6809	3168	9010	6345	3392	8692	6113	3520	
	18	25	7527	5495	1567	11542	8279	2198	10638	7693	2613	10600	7661	3040	10176	7351	3168	9540	6887	3424	9116	6577	3552	
	19	27	7781	5680	1591	11943	8718	2226	11040	8059	2643	11024	8048	3072	10600	7738	3200	9964	7274	3424	9540	6964	3552	
	22	30	8627	5618	1591	13248	8645	2226	12244	7986	2643	12190	7970	3104	11766	7661	3232	10600	7428	3552	9858	7274	3744	
	24	32	9219	5618	1615	14151	8645	2254	13047	7986	2672	13038	7970	3104	12508	7661	3264	11024	7583	3648	10070	7506	3872	
(1.5+1.5+2.5) + (1.5+1.8+1.8)	12	18	6887	4725	1496	9256	7476	2108	8567	6901	2484	8528	6909	2898	8216	6605	3024	7696	6225	3245	7384	5922	3371	
	14	20	6887	4725	1496	9945	7476	2108	9256	6973	2514	9152	6909	2930	8840	6681	3056	8216	6225	3276	7904	5998	3434	
	16	22	6887	5028	1519	10635	7476	2136	9847	6973	2543	9776	6909	2961	9464	6681	3119	8840	6225	3339	8528	5998	3465	
	18	25	7385	5391	1543	11324	8123	2163	10438	7548	2572	10400	7516	2993	9984	7212	3119	9360	6757	3371	8944	6453	3497	
	19	27	7634	5573	1566	11718	8554	2191	10831	7907	2601	10816	7896	3024	10400	7592	3150	9776	7136	3371	9360	6833	3497	
	22	30	8464	5512	1566	12998	8482	2191	12013	7835	2601	11960	7820	3056	11544	7516	3182	10400	7288	3497	9672	7136	3686	
	24	32	9045	5512	1589	13884	8482	2219	12801	7835	2631	12792	7820	3056	12272	7516	3213	10816	7440	3591	9880	7364	3812	
(1.5+1.5+2.5) + (1.5+1.8+2.5)	12	18	7020	4816	1520	9434	7619	2141	8731	7033	2524	8692	7042	2944	8374	6732	3072	7844	6345	3296	7526	6036	3424	
	14	20	7020	4816	1520	10137	7619	2141	9434	7107	2554	9328	7042	2976	9010	6809	3104	8374	6345	3328	8056	6113	3488	
	16	22	7020	5124	1543	10839	7619	2170	10036	7107	2583	9964	7042	3008	9646	6809	3168	9010	6345	3392	8692	6113	3520	
	18	25	7527	5495	1567	11542	8279	2198	10638	7693	2613	10600	7661	3040	10176	7351	3168	9540	6887	3424	9116	6577	3552	
	19	27	7781	5680	1591	11943	8718	2226	11040	8059	2643	11024	8048	3072	10600	7738	3200	9964	7274	3424	9540	6964	3552	
	22	30	8627	5618	1591	13248	8645	2226	12244	7986	2643	12190	7970	3104	11766	7661	3232	10600	7428	3552	9858	7274	3744	
	24	32	9219	5618	1615	14151	8645	2254	13047	7986	2672	13038	7970	3104	12508	7661	3264	11024	7583	3648	10070	7506	3872	
(1.5+1.5+2.5) + (1.5+1.8+3.5)	12	18	7020	4816	1520	9434	7619	2141	8731	7033	2524	8692	7042	2944	8374	6732	3072	7844	6345	3296	7526	6036	3424	
	14	20	7020	4816	1520	10137	7619	2141	9434	7107	2554	9328	7042	2976	9010	6809	3104	8374	6345	3328	8056	6113	3488	
	16	22	7020	5124	1543	10839	7619	2170	10036	7107	2583	9964	7042	3008	9646	6809	3168	9010	6345	3392	8692	6113	3520	
	18	25	7527	5495	1567	11542	8279	2198	10638	7693	2613	10600	7661	3040	10176	7351	3168	9540	6887	3424	9116	6577	3552	
	19	27	7781	5680	1591	11943	8718	2226	11040	8059	2643	11024	8048	3072	10600	7738	3200	9964	7274	3424	9540	6964	3552	
	22	30	8627	5618	1591	13248	8645	2226	12244	7986	2643	12190	7970	3104	11766	7661	3232	10600	7428	3552	9858	7274	3744	
	24	32	9219	5618	1615	14151	8645	2254	13047	7986	2672	13038	7970	3104	12508	7661	3264	11024	7583	3648	10070	7506	3872	
(1.5+1.5+2.5) + (1.5+1.8+5.0)	12	18	7020	4816	1520	9434	7619	2141	8731	7033	2524	8692	7042	2944	8374	6732	3072	7844	6345	3296	7526	6036	3424	
	14	20	7020	4816	1520	10137	7619	2141	9434	7107	2554	9328	7042	2976	9010	6809	3104	8374	6345	3328	8056	6113	3488	
	16	22	7020	5124	1543	10839	7619	2170	10036	7107	2583	9964	7042	3008	9646	6809	3168	9010	6345	3392	8692	6113	3520	
	18	25	7527	5495	1567	11542	8279	2198	10638	7693	2613	10600	7661	3040	10176	7351	3168	9540	6887	3424	9116	6577	3552	
	19	27	7781	5680	1591	11943	8718	2226	11040	8059	2643	11024	8048	3072	10600	7738	3200	9964	7274	3424	9540	6964	3552	
	22	30	8627	5618	1591	13248	8645	2226	12244	7986	2643	12190	7970	3104	11766	7661	3232	10600	7428	3552	9858	7274	3744	
	24	32	9219	5618	1615	14151	8645	2254	13047	7986	2672	13038	7970	3104	12508	7661	3264	11024	7583	3648	10070	7506	3872	

		INDOOR		OUTDOOR TEMPERATURE (°CDB)																				
		EWB	EDB	-10			21			27			32			35			40			43		
		°C	°C	TC	SHC	PI	TC	SHC	PI	TC	SHC	PI	TC	SHC	PI	TC	SHC	PI	TC	SHC	PI	TC	SHC	PI
(1.5+1.5+2.5) + (1.5+2.5+2.5)	12	18	7020	4816	1520	9434	7619	2141	8731	7033	2524	8692	7042	2944	8374	6732	3072	7844	6345	3296	7526	6036	3424	
	14	20	7020	4816	1520	10137	7619	2141	9434	7107	2554	9328	7042	2976	9010	6809	3104	8374	6345	3328	8056	6113	3488	
	16	22	7020	5124	1543	10839	7619	2170	10036	7107	2583	9964	7042	3008	9646	6809	3168	9010	6345	3392	8692	6113	3520	
	18	25	7527	5495	1567	11542	8279	2198	10638	7693	2613	10600	7661	3040	10176	7351	3168	9540	6887	3424	9116	6577	3552	
	19	27	7781	5680	1591	11943	8718	2226	11040	8059	2643	11024	8048	3072	10600	7738	3200	9964	7274	3424	9540	6964	3552	
	22	30	8627	5618	1591	13248	8645	2226	12244	7986	2643	12190	7970	3104	11766	7661	3232	10600	7428	3552	9858	7274	3744	
	24	32	9219	5618	1615	14151	8645	2254	13047	7986	2672	13038	7970	3104	12508	7661	3264	11024	7583	3648	10070	7506	3872	
(1.5+1.5+2.5) + (1.5+2.5+3.5)	12	18	7020	4816	1520	9434	7619	2141	8731	7033	2524	8692	7042	2944	8374	6732	3072	7844	6345	3296	7526	6036	3424	
	14	20	7020	4816	1520	10137	7619	2141	9434	7107	2554	9328	7042	2976	9010	6809	3104	8374	6345	3328	8056	6113	3488	
	16	22	7020	5124	1543	10839	7619	2170	10036	7107	2583	9964	7042	3008	9646	6809	3168	9010	6345	3392	8692	6113	3520	
	18	25	7527	5495	1567	11542	8279	2198	10638	7693	2613	10600	7661	3040	10176	7351	3168	9540	6887	3424	9116	6577	3552	
	19	27	7781	5680	1591	11943	8718	2226	11040	8059	2643	11024	8048	3072	10600	7738	3200	9964	7274	3424	9540	6964	3552	
	22	30	8627	5618	1591	13248	8645	2226	12244	7986	2643	12190	7970	3104	11766	7661	3232	10600	7428	3552	9858	7274	3744	
	24	32	9219	5618	1615	14151	8645	2254	13047	7986	2672	13038	7970	3104	12508	7661	3264	11024	7583	3648	10070	7506	3872	
(1.5+1.5+2.5) + (1.5+3.5+3.5)	12	18	7020	4816	1520	9434	7619	2141	8731	7033	2524	8692	7042	2944	8374	6732	3072	7844	6345	3296	7526	6036	3424	
	14	20	7020	4816	1520	10137	7619	2141	9434	7107	2554	9328	7042	2976	9010	6809	3104	8374	6345	3328	8056	6113	3488	
	16	22	7020	5124	1543	10839	7619	2170	10036	7107	2583	9964	7042	3008	9646	6809	3168	9010	6345	3392	8692	6113	3520	
	18	25	7527	5495	1567	11542	8279	2198	10638	7693	2613	10600	7661	3040	10176	7351	3168	9540	6887	3424	9116	6577	3552	
	19	27	7781	5680	1591	11943	8718	2226	11040	8059	2643	11024	8048	3072	10600	7738	3200	9964	7274	3424	9540	6964	3552	
	22	30	8627	5618	1591	13248	8645	2226	12244	7986	2643	12190	7970	3104	11766	7661	3232	10600	7428	3552	9858	7274	3744	
	24	32	9219	5618	1615	14151	8645	2254	13047	7986	2672	13038	7970	3104	12508	7661	3264	11024	7583	3648	10070	7506	3872	
(1.5+1.5+2.5) + (1.8+1.8+1.8)	12	18	7020	4816	1520	9434	7619	2141	8731	7033	2524	8692	7042	2944	8374	6732	3072	7844	6345	3296	7526	6036	3424	
	14	20	7020	4816	1520	10137	7619	2141	9434	7107	2554	9328	7042	2976	9010	6809	3104	8374	6345	3328	8056	6113	3488	
	16	22	7020	5124	1543	10839	7619	2170	10036	7107	2583	9964	7042	3008	9646	6809	3168	9010	6345	3392	8692	6113	3520	
	18	25	7527	5495	1567	11542	8279	2198	10638	7693	2613	10600	7661	3040	10176	7351	3168	9540	6887	3424	9116	6577	3552	
	19	27	7781	5680	1591	11943	8718	2226	11040	8059	2643	11024	8048	3072	10600	7738	3200	9964	7274	3424	9540	6964	3552	
	22	30	8627	5618	1591	13248	8645	2226	12244	7986	2643	12190	7970	3104	11766	7661	3232	10600	7428	3552	9858	7274	3744	
	24	32	9219	5618	1615	14151	8645	2254	13047	7986	2672	13038	7970	3104	12508	7661	3264	11024	7583	3648	10070	7506	3872	
(1.5+1.5+2.5) + (1.8+1.8+2.5)	12	18	7020	4816	1520	9434	7619	2141	8731	7033	2524	8692	7042	2944	8374	6732	3072	7844	6345	3296	7526	6036	3424	
	14	20	7020	4816	1520	10137	7619	2141	9434	7107	2554	9328	7042	2976	9010	6809	3104	8374	6345	3328	8056	6113	3488	
	16	22	7020	5124	1543	10839	7619	2170	10036	7107	2583	9964	7042	3008	9646	6809	3168	9010	6345	3392	8692	6113	3520	
	18	25	7527	5495	1567	11542	8279	2198	10638	7693	2613	10600	7661	3040	10176	7351	3168	9540	6887	3424	9116	6577	3552	
	19	27	7781	5680	1591	11943	8718	2226	11040	8059	2643	11024	8048	3072	10600	7738	3200	9964	7274	3424	9540	6964	3552	
	22	30	8627	5618	1591	13248	8645	2226	12244	7986	2643	12190	7970	3104	11766	7661	3232	10600	7428	3552	9858	7274	3744	
	24	32	9219	5618	1615	14151	8645	2254	13047	7986	2672	13038	7970	3104	12508	7661	3264	11024	7583	3648	10070	7506	3872	
(1.5+1.5+2.5) + (1.8+1.8+3.5)	12	18	7020	4816	1520	9434	7619	2141	8731	7033	2524	8692	7042	2944	8374	6732	3072	7844	6345	3296	7526	6036	3424	
	14	20	7020	4816	1520	10137	7619	2141	9434	7107	2554	9328	7042	2976	9010	6809	3104	8374	6345	3328	8056	6113	3488	
	16	22	7020	5124	1543	10839	7619	2170	10036	7107	2583	9964	7042	3008	9646	6809	3168	9010	6345	3392	8692	6113	3520	
	18	25	7527	5495	1567	11542	8279	2198	10638	7693	2613	10600	7661	3040	10176	7351	3168	9540	6887	3424	9116	6577	3552	
	19	27	7781	5680	1591	11943	8718	2226	11040	8059	2643	11024	8048	3072	10600	7738	3200	9964	7274	3424	9540	6964	3552	
	22	30	8627	5618	1591	13248	8645	2226	12244	7986	2643	12190	7970	3104	11766	7661	3232	10600	7428	3552	9858	7274	3744	
	24	32	9219	5618	1615	14151	8645	2254	13047	7986	2672	13038	7970	3104	12508	7661	3264	11024	7583	3648	10070	7506	3872	

		INDOOR		OUTDOOR TEMPERATURE (°CDB)																				
		EWB	EDB	-10			21			27			32			35			40			43		
		°C	°C	TC	SHC	PI	TC	SHC	PI	TC	SHC	PI	TC	SHC	PI	TC	SHC	PI	TC	SHC	PI	TC	SHC	PI
(1.5+1.5+2.5) + (1.8+1.8+5.0)	12	18	7020	4816	1520	9434	7619	2141	8731	7033	2524	8692	7042	2944	8374	6732	3072	7844	6345	3296	7526	6036	3424	
	14	20	7020	4816	1520	10137	7619	2141	9434	7107	2554	9328	7042	2976	9010	6809	3104	8374	6345	3328	8056	6113	3488	
	16	22	7020	5124	1543	10839	7619	2170	10036	7107	2583	9964	7042	3008	9646	6809	3168	9010	6345	3392	8692	6113	3520	
	18	25	7527	5495	1567	11542	8279	2198	10638	7693	2613	10600	7661	3040	10176	7351	3168	9540	6887	3424	9116	6577	3552	
	19	27	7781	5680	1591	11943	8718	2226	11040	8059	2643	11024	8048	3072	10600	7738	3200	9964	7274	3424	9540	6964	3552	
	22	30	8627	5618	1591	13248	8645	2226	12244	7986	2643	12190	7970	3104	11766	7661	3232	10600	7428	3552	9858	7274	3744	
	24	32	9219	5618	1615	14151	8645	2254	13047	7986	2672	13038	7970	3104	12508	7661	3264	11024	7583	3648	10070	7506	3872	
(1.5+1.5+2.5) + (1.8+2.5+2.5)	12	18	7020	4816	1520	9434	7619	2141	8731	7033	2524	8692	7042	2944	8374	6732	3072	7844	6345	3296	7526	6036	3424	
	14	20	7020	4816	1520	10137	7619	2141	9434	7107	2554	9328	7042	2976	9010	6809	3104	8374	6345	3328	8056	6113	3488	
	16	22	7020	5124	1543	10839	7619	2170	10036	7107	2583	9964	7042	3008	9646	6809	3168	9010	6345	3392	8692	6113	3520	
	18	25	7527	5495	1567	11542	8279	2198	10638	7693	2613	10600	7661	3040	10176	7351	3168	9540	6887	3424	9116	6577	3552	
	19	27	7781	5680	1591	11943	8718	2226	11040	8059	2643	11024	8048	3072	10600	7738	3200	9964	7274	3424	9540	6964	3552	
	22	30	8627	5618	1591	13248	8645	2226	12244	7986	2643	12190	7970	3104	11766	7661	3232	10600	7428	3552	9858	7274	3744	
	24	32	9219	5618	1615	14151	8645	2254	13047	7986	2672	13038	7970	3104	12508	7661	3264	11024	7583	3648	10070	7506	3872	
(1.5+1.5+2.5) + (1.8+2.5+3.5)	12	18	7020	4816	1520	9434	7619	2141	8731	7033	2524	8692	7042	2944	8374	6732	3072	7844	6345	3296	7526	6036	3424	
	14	20	7020	4816	1520	10137	7619	2141	9434	7107	2554	9328	7042	2976	9010	6809	3104	8374	6345	3328	8056	6113	3488	
	16	22	7020	5124	1543	10839	7619	2170	10036	7107	2583	9964	7042	3008	9646	6809	3168	9010	6345	3392	8692	6113	3520	
	18	25	7527	5495	1567	11542	8279	2198	10638	7693	2613	10600	7661	3040	10176	7351	3168	9540	6887	3424	9116	6577	3552	
	19	27	7781	5680	1591	11943	8718	2226	11040	8059	2643	11024	8048	3072	10600	7738	3200	9964	7274	3424	9540	6964	3552	
	22	30	8627	5618	1591	13248	8645	2226	12244	7986	2643	12190	7970	3104	11766	7661	3232	10600	7428	3552	9858	7274	3744	
	24	32	9219	5618	1615	14151	8645	2254	13047	7986	2672	13038	7970	3104	12508	7661	3264	11024	7583	3648	10070	7506	3872	
(1.5+1.5+2.5) + (2.5+2.5+2.5)	12	18	7020	4816	1520	9434	7619	2141	8731	7033	2524	8692	7042	2944	8374	6732	3072	7844	6345	3296	7526	6036	3424	
	14	20	7020	4816	1520	10137	7619	2141	9434	7107	2554	9328	7042	2976	9010	6809	3104	8374	6345	3328	8056	6113	3488	
	16	22	7020	5124	1543	10839	7619	2170	10036	7107	2583	9964	7042	3008	9646	6809	3168	9010	6345	3392	8692	6113	3520	
	18	25	7527	5495	1567	11542	8279	2198	10638	7693	2613	10600	7661	3040	10176	7351	3168	9540	6887	3424	9116	6577	3552	
	19	27	7781	5680	1591	11943	8718	2226	11040	8059	2643	11024	8048	3072	10600	7738	3200	9964	7274	3424	9540	6964	3552	
	22	30	8627	5618	1591	13248	8645	2226	12244	7986	2643	12190	7970	3104	11766	7661	3232	10600	7428	3552	9858	7274	3744	
	24	32	9219	5618	1615	14151	8645	2254	13047	7986	2672	13038	7970	3104	12508	7661	3264	11024	7583	3648	10070	7506	3872	
(1.5+1.5+2.5) + (2.5+2.5+3.5)	12	18	7020	4816	1520	9434	7619	2141	8731	7033	2524	8692	7042	2944	8374	6732	3072	7844	6345	3296	7526	6036	3424	
	14	20	7020	4816	1520	10137	7619	2141	9434	7107	2554	9328	7042	2976	9010	6809	3104	8374	6345	3328	8056	6113	3488	
	16	22	7020	5124	1543	10839	7619	2170	10036	7107	2583	9964	7042	3008	9646	6809	3168	9010	6345	3392	8692	6113	3520	
	18	25	7527	5495	1567	11542	8279	2198	10638	7693	2613	10600	7661	3040	10176	7351	3168	9540	6887	3424	9116	6577	3552	
	19	27	7781	5680	1591	11943	8718	2226	11040	8059	2643	11024	8048	3072	10600	7738	3200	9964	7274	3424	9540	6964	3552	
	22	30	8627	5618	1591	13248	8645	2226	12244	7986	2643	12190	7970	3104	11766	7661	3232	10600	7428	3552	9858	7274	3744	
	24	32	9219	5618	1615	14151	8645	2254	13047	7986	2672	13038	7970	3104	12508	7661	3264	11024	7583	3648	10070	7506	3872	



		INDOOR		OUTDOOR TEMPERATURE (°CDB)																				
		EWB	EDB	-10			21			27			32			35			40			43		
		°C	°C	TC	SHC	PI	TC	SHC	PI	TC	SHC	PI	TC	SHC	PI	TC	SHC	PI	TC	SHC	PI	TC	SHC	PI
(1.5+1.5+3.5) + (1.5+1.5+1.5)	12	18	6490	4452	1410	8722	7044	1988	8072	6503	2342	8036	6510	2732	7742	6224	2851	7252	5866	3059	6958	5580	3178	
	14	20	6490	4452	1410	9372	7044	1988	8722	6570	2370	8624	6510	2762	8330	6296	2881	7742	5866	3089	7448	5652	3237	
	16	22	6490	4738	1432	10021	7044	2014	9279	6570	2398	9212	6510	2792	8918	6296	2940	8330	5866	3148	8036	5652	3267	
	18	25	6959	5080	1455	10671	7654	2040	9835	7112	2425	9800	7082	2822	9408	6796	2940	8820	6367	3178	8428	6081	3297	
	19	27	7194	5251	1477	11042	8060	2066	10207	7451	2453	10192	7440	2851	9800	7154	2970	9212	6725	3178	8820	6439	3297	
	22	30	7976	5194	1477	12248	7993	2066	11320	7383	2453	11270	7369	2881	10878	7082	3000	9800	6868	3297	9114	6725	3475	
	24	32	8523	5194	1499	13083	7993	2092	12062	7383	2480	12054	7369	2881	11564	7082	3029	10192	7011	3386	9310	6939	3594	
(1.5+1.5+3.5) + (1.5+1.5+1.8)	12	18	6689	4589	1458	8989	7260	2054	8320	6702	2421	8282	6709	2824	7979	6415	2947	7474	6046	3162	7171	5751	3285	
	14	20	6689	4589	1458	9658	7260	2054	8989	6771	2450	8888	6709	2855	8585	6488	2978	7979	6046	3193	7676	5825	3346	
	16	22	6689	4883	1481	10328	7260	2081	9563	6771	2478	9494	6709	2886	9191	6488	3039	8585	6046	3254	8282	5825	3377	
	18	25	7172	5236	1503	10997	7888	2109	10137	7330	2507	10100	7299	2917	9696	7004	3039	9090	6562	3285	8686	6267	3408	
	19	27	7414	5412	1526	11380	8307	2136	10519	7679	2535	10504	7668	2947	10100	7373	3070	9494	6931	3285	9090	6636	3408	
	22	30	8220	5353	1526	12623	8237	2136	11667	7609	2535	11615	7594	2978	11211	7299	3101	10100	7078	3408	9393	6931	3592	
	24	32	8784	5353	1549	13484	8237	2163	12432	7609	2564	12423	7594	2978	11918	7299	3131	10504	7226	3500	9595	7152	3715	
(1.5+1.5+3.5) + (1.5+1.5+2.5)	12	18	7020	4816	1520	9434	7619	2141	8731	7033	2524	8692	7042	2944	8374	6732	3072	7844	6345	3296	7526	6036	3424	
	14	20	7020	4816	1520	10137	7619	2141	9434	7107	2554	9328	7042	2976	9010	6809	3104	8374	6345	3328	8056	6113	3488	
	16	22	7020	5124	1543	10839	7619	2170	10036	7107	2583	9964	7042	3008	9646	6809	3168	9010	6345	3392	8692	6113	3520	
	18	25	7527	5495	1567	11542	8279	2198	10638	7693	2613	10600	7661	3040	10176	7351	3168	9540	6887	3424	9116	6577	3552	
	19	27	7781	5680	1591	11943	8718	2226	11040	8059	2643	11024	8048	3072	10600	7738	3200	9964	7274	3424	9540	6964	3552	
	22	30	8627	5618	1591	13248	8645	2226	12244	7986	2643	12190	7970	3104	11766	7661	3232	10600	7428	3552	9858	7274	3744	
	24	32	9219	5618	1615	14151	8645	2254	13047	7986	2672	13038	7970	3104	12508	7661	3264	11024	7583	3648	10070	7506	3872	
(1.5+1.5+3.5) + (1.5+1.5+3.5)	12	18	7020	4816	1520	9434	7619	2141	8731	7033	2524	8692	7042	2944	8374	6732	3072	7844	6345	3296	7526	6036	3424	
	14	20	7020	4816	1520	10137	7619	2141	9434	7107	2554	9328	7042	2976	9010	6809	3104	8374	6345	3328	8056	6113	3488	
	16	22	7020	5124	1543	10839	7619	2170	10036	7107	2583	9964	7042	3008	9646	6809	3168	9010	6345	3392	8692	6113	3520	
	18	25	7527	5495	1567	11542	8279	2198	10638	7693	2613	10600	7661	3040	10176	7351	3168	9540	6887	3424	9116	6577	3552	
	19	27	7781	5680	1591	11943	8718	2226	11040	8059	2643	11024	8048	3072	10600	7738	3200	9964	7274	3424	9540	6964	3552	
	22	30	8627	5618	1591	13248	8645	2226	12244	7986	2643	12190	7970	3104	11766	7661	3232	10600	7428	3552	9858	7274	3744	
	24	32	9219	5618	1615	14151	8645	2254	13047	7986	2672	13038	7970	3104	12508	7661	3264	11024	7583	3648	10070	7506	3872	
(1.5+1.5+3.5) + (1.5+1.5+5.0)	12	18	7020	4816	1520	9434	7619	2141	8731	7033	2524	8692	7042	2944	8374	6732	3072	7844	6345	3296	7526	6036	3424	
	14	20	7020	4816	1520	10137	7619	2141	9434	7107	2554	9328	7042	2976	9010	6809	3104	8374	6345	3328	8056	6113	3488	
	16	22	7020	5124	1543	10839	7619	2170	10036	7107	2583	9964	7042	3008	9646	6809	3168	9010	6345	3392	8692	6113	3520	
	18	25	7527	5495	1567	11542	8279	2198	10638	7693	2613	10600	7661	3040	10176	7351	3168	9540	6887	3424	9116	6577	3552	
	19	27	7781	5680	1591	11943	8718	2226	11040	8059	2643	11024	8048	3072	10600	7738	3200	9964	7274	3424	9540	6964	3552	
	22	30	8627	5618	1591	13248	8645	2226	12244	7986	2643	12190	7970	3104	11766	7661	3232	10600	7428	3552	9858	7274	3744	
	24	32	9219	5618	1615	14151	8645	2254	13047	7986	2672	13038	7970	3104	12508	7661	3264	11024	7583	3648	10070	7506	3872	
(1.5+1.5+3.5) + (1.5+1.8+1.8)	12	18	6887	4725	1496	9256	7476	2108	8567	6901	2484	8528	6909	2898	8216	6605	3024	7696	6225	3245	7384	5922	3371	
	14	20	6887	4725	1496	9945	7476	2108	9256	6973	2514	9152	6909	2930	8840	6681	3056	8216	6225	3276	7904	5998	3434	
	16	22	6887	5028	1519	10635	7476	2136	9847	6973	2543	9776	6909	2961	9464	6681	3119	8840	6225	3339	8528	5998	3465	
	18	25	7385	5391	1543	11324	8123	2163	10438	7548	2572	10400	7516	2993	9984	7212	3119	9360	6757	3371	8944	6453	3497	
	19	27	7634	5573	1566	11718	8554	2191	10831	7907	2601	10816	7896	3024	10400	7592	3150	9776	7136	3371	9360	6833	3497	
	22	30	8464	5512	1566	12998	8482	2191	12013	7835	2601	11960	7820	3056	11544	7516	3182	10400	7288	3497	9672	7136	3686	
	24	32	9045	5512	1589	13884	8482	2219	12801	7835	2631	12792	7820	3056	12272	7516	3213	10816	7440	3591	9880	7364	3812	

		INDOOR		OUTDOOR TEMPERATURE (°CDB)																				
		EWB	EDB	-10			21			27			32			35			40			43		
		°C	°C	TC	SHC	PI	TC	SHC	PI	TC	SHC	PI	TC	SHC	PI	TC	SHC	PI	TC	SHC	PI	TC	SHC	PI
(1.5+1.5+3.5) + (1.5+1.8+2.5)	12	18	7020	4816	1520	9434	7619	2141	8731	7033	2524	8692	7042	2944	8374	6732	3072	7844	6345	3296	7526	6036	3424	
	14	20	7020	4816	1520	10137	7619	2141	9434	7107	2554	9328	7042	2976	9010	6809	3104	8374	6345	3328	8056	6113	3488	
	16	22	7020	5124	1543	10839	7619	2170	10036	7107	2583	9964	7042	3008	9646	6809	3168	9010	6345	3392	8692	6113	3520	
	18	25	7527	5495	1567	11542	8279	2198	10638	7693	2613	10600	7661	3040	10176	7351	3168	9540	6887	3424	9116	6577	3552	
	19	27	7781	5680	1591	11943	8718	2226	11040	8059	2643	11024	8048	3072	10600	7738	3200	9964	7274	3424	9540	6964	3552	
	22	30	8627	5618	1591	13248	8645	2226	12244	7986	2643	12190	7970	3104	11766	7661	3232	10600	7428	3552	9858	7274	3744	
	24	32	9219	5618	1615	14151	8645	2254	13047	7986	2672	13038	7970	3104	12508	7661	3264	11024	7583	3648	10070	7506	3872	
(1.5+1.5+3.5) + (1.5+1.8+3.5)	12	18	7020	4816	1520	9434	7619	2141	8731	7033	2524	8692	7042	2944	8374	6732	3072	7844	6345	3296	7526	6036	3424	
	14	20	7020	4816	1520	10137	7619	2141	9434	7107	2554	9328	7042	2976	9010	6809	3104	8374	6345	3328	8056	6113	3488	
	16	22	7020	5124	1543	10839	7619	2170	10036	7107	2583	9964	7042	3008	9646	6809	3168	9010	6345	3392	8692	6113	3520	
	18	25	7527	5495	1567	11542	8279	2198	10638	7693	2613	10600	7661	3040	10176	7351	3168	9540	6887	3424	9116	6577	3552	
	19	27	7781	5680	1591	11943	8718	2226	11040	8059	2643	11024	8048	3072	10600	7738	3200	9964	7274	3424	9540	6964	3552	
	22	30	8627	5618	1591	13248	8645	2226	12244	7986	2643	12190	7970	3104	11766	7661	3232	10600	7428	3552	9858	7274	3744	
	24	32	9219	5618	1615	14151	8645	2254	13047	7986	2672	13038	7970	3104	12508	7661	3264	11024	7583	3648	10070	7506	3872	
(1.5+1.5+3.5) + (1.5+1.8+5.0)	12	18	7020	4816	1520	9434	7619	2141	8731	7033	2524	8692	7042	2944	8374	6732	3072	7844	6345	3296	7526	6036	3424	
	14	20	7020	4816	1520	10137	7619	2141	9434	7107	2554	9328	7042	2976	9010	6809	3104	8374	6345	3328	8056	6113	3488	
	16	22	7020	5124	1543	10839	7619	2170	10036	7107	2583	9964	7042	3008	9646	6809	3168	9010	6345	3392	8692	6113	3520	
	18	25	7527	5495	1567	11542	8279	2198	10638	7693	2613	10600	7661	3040	10176	7351	3168	9540	6887	3424	9116	6577	3552	
	19	27	7781	5680	1591	11943	8718	2226	11040	8059	2643	11024	8048	3072	10600	7738	3200	9964	7274	3424	9540	6964	3552	
	22	30	8627	5618	1591	13248	8645	2226	12244	7986	2643	12190	7970	3104	11766	7661	3232	10600	7428	3552	9858	7274	3744	
	24	32	9219	5618	1615	14151	8645	2254	13047	7986	2672	13038	7970	3104	12508	7661	3264	11024	7583	3648	10070	7506	3872	
(1.5+1.5+3.5) + (1.5+2.5+2.5)	12	18	7020	4816	1520	9434	7619	2141	8731	7033	2524	8692	7042	2944	8374	6732	3072	7844	6345	3296	7526	6036	3424	
	14	20	7020	4816	1520	10137	7619	2141	9434	7107	2554	9328	7042	2976	9010	6809	3104	8374	6345	3328	8056	6113	3488	
	16	22	7020	5124	1543	10839	7619	2170	10036	7107	2583	9964	7042	3008	9646	6809	3168	9010	6345	3392	8692	6113	3520	
	18	25	7527	5495	1567	11542	8279	2198	10638	7693	2613	10600	7661	3040	10176	7351	3168	9540	6887	3424	9116	6577	3552	
	19	27	7781	5680	1591	11943	8718	2226	11040	8059	2643	11024	8048	3072	10600	7738	3200	9964	7274	3424	9540	6964	3552	
	22	30	8627	5618	1591	13248	8645	2226	12244	7986	2643	12190	7970	3104	11766	7661	3232	10600	7428	3552	9858	7274	3744	
	24	32	9219	5618	1615	14151	8645	2254	13047	7986	2672	13038	7970	3104	12508	7661	3264	11024	7583	3648	10070	7506	3872	
(1.5+1.5+3.5) + (1.5+2.5+3.5)	12	18	7020	4816	1520	9434	7619	2141	8731	7033	2524	8692	7042	2944	8374	6732	3072	7844	6345	3296	7526	6036	3424	
	14	20	7020	4816	1520	10137	7619	2141	9434	7107	2554	9328	7042	2976	9010	6809	3104	8374	6345	3328	8056	6113	3488	
	16	22	7020	5124	1543	10839	7619	2170	10036	7107	2583	9964	7042	3008	9646	6809	3168	9010	6345	3392	8692	6113	3520	
	18	25	7527	5495	1567	11542	8279	2198	10638	7693	2613	10600	7661	3040	10176	7351	3168	9540	6887	3424	9116	6577	3552	
	19	27	7781	5680	1591	11943	8718	2226	11040	8059	2643	11024	8048	3072	10600	7738	3200	9964	7274	3424	9540	6964	3552	
	22	30	8627	5618	1591	13248	8645	2226	12244	7986	2643	12190	7970	3104	11766	7661	3232	10600	7428	3552	9858	7274	3744	
	24	32	9219	5618	1615	14151	8645	2254	13047	7986	2672	13038	7970	3104	12508	7661	3264	11024	7583	3648	10070	7506	3872	
(1.5+1.5+3.5) + (1.5+3.5+3.5)	12	18	7020	4816	1520	9434	7619	2141	8731	7033	2524	8692	7042	2944	8374	6732	3072	7844	6345	3296	7526	6036	3424	
	14	20	7020	4816	1520	10137	7619	2141	9434	7107	2554	9328	7042	2976	9010	6809	3104	8374	6345	3328	8056	6113	3488	
	16	22	7020	5124	1543	10839	7619	2170	10036	7107	2583	9964	7042	3008	9646	6809	3168	9010	6345	3392	8692	6113	3520	
	18	25	7527	5495	1567	11542	8279	2198	10638	7693	2613	10600	7661	3040	10176	7351	3168	9540	6887	3424	9116	6577	3552	
	19	27	7781	5680	1591	11943	8718	2226	11040	8059	2643	11024	8048	3072	10600	7738	3200	9964	7274	3424	9540	6964	3552	
	22	30	8627	5618	1591	13248	8645	2226	12244	7986	2643	12190	7970	3104	11766	7661	3232	10600	7428	3552	9858	7274	3744	
	24	32	9219	5618	1615	14151	8645	2254	13047	7986	2672	13038	7970	3104	12508	7661	3264	11024	7583	3648	10070	7506	3872	

		INDOOR		OUTDOOR TEMPERATURE (°CDB)																				
		EWB	EDB	-10			21			27			32			35			40			43		
		°C	°C	TC	SHC	PI	TC	SHC	PI	TC	SHC	PI	TC	SHC	PI	TC	SHC	PI	TC	SHC	PI	TC	SHC	PI
(1.5+1.5+3.5) + (1.8+1.8+1.8)	12	18	7020	4816	1520	9434	7619	2141	8731	7033	2524	8692	7042	2944	8374	6732	3072	7844	6345	3296	7526	6036	3424	
	14	20	7020	4816	1520	10137	7619	2141	9434	7107	2554	9328	7042	2976	9010	6809	3104	8374	6345	3328	8056	6113	3488	
	16	22	7020	5124	1543	10839	7619	2170	10036	7107	2583	9964	7042	3008	9646	6809	3168	9010	6345	3392	8692	6113	3520	
	18	25	7527	5495	1567	11542	8279	2198	10638	7693	2613	10600	7661	3040	10176	7351	3168	9540	6887	3424	9116	6577	3552	
	19	27	7781	5680	1591	11943	8718	2226	11040	8059	2643	11024	8048	3072	10600	7738	3200	9964	7274	3424	9540	6964	3552	
	22	30	8627	5618	1591	13248	8645	2226	12244	7986	2643	12190	7970	3104	11766	7661	3232	10600	7428	3552	9858	7274	3744	
	24	32	9219	5618	1615	14151	8645	2254	13047	7986	2672	13038	7970	3104	12508	7661	3264	11024	7583	3648	10070	7506	3872	
(1.5+1.5+3.5) + (1.8+1.8+2.5)	12	18	7020	4816	1520	9434	7619	2141	8731	7033	2524	8692	7042	2944	8374	6732	3072	7844	6345	3296	7526	6036	3424	
	14	20	7020	4816	1520	10137	7619	2141	9434	7107	2554	9328	7042	2976	9010	6809	3104	8374	6345	3328	8056	6113	3488	
	16	22	7020	5124	1543	10839	7619	2170	10036	7107	2583	9964	7042	3008	9646	6809	3168	9010	6345	3392	8692	6113	3520	
	18	25	7527	5495	1567	11542	8279	2198	10638	7693	2613	10600	7661	3040	10176	7351	3168	9540	6887	3424	9116	6577	3552	
	19	27	7781	5680	1591	11943	8718	2226	11040	8059	2643	11024	8048	3072	10600	7738	3200	9964	7274	3424	9540	6964	3552	
	22	30	8627	5618	1591	13248	8645	2226	12244	7986	2643	12190	7970	3104	11766	7661	3232	10600	7428	3552	9858	7274	3744	
	24	32	9219	5618	1615	14151	8645	2254	13047	7986	2672	13038	7970	3104	12508	7661	3264	11024	7583	3648	10070	7506	3872	
(1.5+1.5+3.5) + (1.8+1.8+3.5)	12	18	7020	4816	1520	9434	7619	2141	8731	7033	2524	8692	7042	2944	8374	6732	3072	7844	6345	3296	7526	6036	3424	
	14	20	7020	4816	1520	10137	7619	2141	9434	7107	2554	9328	7042	2976	9010	6809	3104	8374	6345	3328	8056	6113	3488	
	16	22	7020	5124	1543	10839	7619	2170	10036	7107	2583	9964	7042	3008	9646	6809	3168	9010	6345	3392	8692	6113	3520	
	18	25	7527	5495	1567	11542	8279	2198	10638	7693	2613	10600	7661	3040	10176	7351	3168	9540	6887	3424	9116	6577	3552	
	19	27	7781	5680	1591	11943	8718	2226	11040	8059	2643	11024	8048	3072	10600	7738	3200	9964	7274	3424	9540	6964	3552	
	22	30	8627	5618	1591	13248	8645	2226	12244	7986	2643	12190	7970	3104	11766	7661	3232	10600	7428	3552	9858	7274	3744	
	24	32	9219	5618	1615	14151	8645	2254	13047	7986	2672	13038	7970	3104	12508	7661	3264	11024	7583	3648	10070	7506	3872	
(1.5+1.5+3.5) + (1.8+1.8+5.0)	12	18	7020	4816	1520	9434	7619	2141	8731	7033	2524	8692	7042	2944	8374	6732	3072	7844	6345	3296	7526	6036	3424	
	14	20	7020	4816	1520	10137	7619	2141	9434	7107	2554	9328	7042	2976	9010	6809	3104	8374	6345	3328	8056	6113	3488	
	16	22	7020	5124	1543	10839	7619	2170	10036	7107	2583	9964	7042	3008	9646	6809	3168	9010	6345	3392	8692	6113	3520	
	18	25	7527	5495	1567	11542	8279	2198	10638	7693	2613	10600	7661	3040	10176	7351	3168	9540	6887	3424	9116	6577	3552	
	19	27	7781	5680	1591	11943	8718	2226	11040	8059	2643	11024	8048	3072	10600	7738	3200	9964	7274	3424	9540	6964	3552	
	22	30	8627	5618	1591	13248	8645	2226	12244	7986	2643	12190	7970	3104	11766	7661	3232	10600	7428	3552	9858	7274	3744	
	24	32	9219	5618	1615	14151	8645	2254	13047	7986	2672	13038	7970	3104	12508	7661	3264	11024	7583	3648	10070	7506	3872	
(1.5+1.5+3.5) + (1.8+2.5+2.5)	12	18	7020	4816	1520	9434	7619	2141	8731	7033	2524	8692	7042	2944	8374	6732	3072	7844	6345	3296	7526	6036	3424	
	14	20	7020	4816	1520	10137	7619	2141	9434	7107	2554	9328	7042	2976	9010	6809	3104	8374	6345	3328	8056	6113	3488	
	16	22	7020	5124	1543	10839	7619	2170	10036	7107	2583	9964	7042	3008	9646	6809	3168	9010	6345	3392	8692	6113	3520	
	18	25	7527	5495	1567	11542	8279	2198	10638	7693	2613	10600	7661	3040	10176	7351	3168	9540	6887	3424	9116	6577	3552	
	19	27	7781	5680	1591	11943	8718	2226	11040	8059	2643	11024	8048	3072	10600	7738	3200	9964	7274	3424	9540	6964	3552	
	22	30	8627	5618	1591	13248	8645	2226	12244	7986	2643	12190	7970	3104	11766	7661	3232	10600	7428	3552	9858	7274	3744	
	24	32	9219	5618	1615	14151	8645	2254	13047	7986	2672	13038	7970	3104	12508	7661	3264	11024	7583	3648	10070	7506	3872	
(1.5+1.5+3.5) + (1.8+2.5+3.5)	12	18	7020	4816	1520	9434	7619	2141	8731	7033	2524	8692	7042	2944	8374	6732	3072	7844	6345	3296	7526	6036	3424	
	14	20	7020	4816	1520	10137	7619	2141	9434	7107	2554	9328	7042	2976	9010	6809	3104	8374	6345	3328	8056	6113	3488	
	16	22	7020	5124	1543	10839	7619	2170	10036	7107	2583	9964	7042	3008	9646	6809	3168	9010	6345	3392	8692	6113	3520	
	18	25	7527	5495	1567	11542	8279	2198	10638	7693	2613	10600	7661	3040	10176	7351	3168	9540	6887	3424	9116	6577	3552	
	19	27	7781	5680	1591	11943	8718	2226	11040	8059	2643	11024	8048	3072	10600	7738	3200	9964	7274	3424	9540	6964	3552	
	22	30	8627	5618	1591	13248	8645	2226	12244	7986	2643	12190	7970	3104	11766	7661	3232	10600	7428	3552	9858	7274	3744	
	24	32	9219	5618	1615	14151	8645	2254	13047	7986	2672	13038	7970	3104	12508	7661	3264	11024	7583	3648	10070	7506	3872	

		INDOOR		OUTDOOR TEMPERATURE (°CDB)																				
		EWB	EDB	-10			21			27			32			35			40			43		
		°C	°C	TC	SHC	PI	TC	SHC	PI	TC	SHC	PI	TC	SHC	PI	TC	SHC	PI	TC	SHC	PI	TC	SHC	PI
(1.5+1.5+3.5) + (1.8+3.5+3.5)	12	18	7020	4816	1520	9434	7619	2141	8731	7033	2524	8692	7042	2944	8374	6732	3072	7844	6345	3296	7526	6036	3424	
	14	20	7020	4816	1520	10137	7619	2141	9434	7107	2554	9328	7042	2976	9010	6809	3104	8374	6345	3328	8056	6113	3488	
	16	22	7020	5124	1543	10839	7619	2170	10036	7107	2583	9964	7042	3008	9646	6809	3168	9010	6345	3392	8692	6113	3520	
	18	25	7527	5495	1567	11542	8279	2198	10638	7693	2613	10600	7661	3040	10176	7351	3168	9540	6887	3424	9116	6577	3552	
	19	27	7781	5680	1591	11943	8718	2226	11040	8059	2643	11024	8048	3072	10600	7738	3200	9964	7274	3424	9540	6964	3552	
	22	30	8627	5618	1591	13248	8645	2226	12244	7986	2643	12190	7970	3104	11766	7661	3232	10600	7428	3552	9858	7274	3744	
	24	32	9219	5618	1615	14151	8645	2254	13047	7986	2672	13038	7970	3104	12508	7661	3264	11024	7583	3648	10070	7506	3872	
(1.5+1.5+3.5) + (2.5+2.5+2.5)	12	18	7020	4816	1520	9434	7619	2141	8731	7033	2524	8692	7042	2944	8374	6732	3072	7844	6345	3296	7526	6036	3424	
	14	20	7020	4816	1520	10137	7619	2141	9434	7107	2554	9328	7042	2976	9010	6809	3104	8374	6345	3328	8056	6113	3488	
	16	22	7020	5124	1543	10839	7619	2170	10036	7107	2583	9964	7042	3008	9646	6809	3168	9010	6345	3392	8692	6113	3520	
	18	25	7527	5495	1567	11542	8279	2198	10638	7693	2613	10600	7661	3040	10176	7351	3168	9540	6887	3424	9116	6577	3552	
	19	27	7781	5680	1591	11943	8718	2226	11040	8059	2643	11024	8048	3072	10600	7738	3200	9964	7274	3424	9540	6964	3552	
	22	30	8627	5618	1591	13248	8645	2226	12244	7986	2643	12190	7970	3104	11766	7661	3232	10600	7428	3552	9858	7274	3744	
	24	32	9219	5618	1615	14151	8645	2254	13047	7986	2672	13038	7970	3104	12508	7661	3264	11024	7583	3648	10070	7506	3872	
(1.5+1.5+3.5) + (2.5+2.5+3.5)	12	18	7020	4816	1520	9434	7619	2141	8731	7033	2524	8692	7042	2944	8374	6732	3072	7844	6345	3296	7526	6036	3424	
	14	20	7020	4816	1520	10137	7619	2141	9434	7107	2554	9328	7042	2976	9010	6809	3104	8374	6345	3328	8056	6113	3488	
	16	22	7020	5124	1543	10839	7619	2170	10036	7107	2583	9964	7042	3008	9646	6809	3168	9010	6345	3392	8692	6113	3520	
	18	25	7527	5495	1567	11542	8279	2198	10638	7693	2613	10600	7661	3040	10176	7351	3168	9540	6887	3424	9116	6577	3552	
	19	27	7781	5680	1591	11943	8718	2226	11040	8059	2643	11024	8048	3072	10600	7738	3200	9964	7274	3424	9540	6964	3552	
	22	30	8627	5618	1591	13248	8645	2226	12244	7986	2643	12190	7970	3104	11766	7661	3232	10600	7428	3552	9858	7274	3744	
	24	32	9219	5618	1615	14151	8645	2254	13047	7986	2672	13038	7970	3104	12508	7661	3264	11024	7583	3648	10070	7506	3872	
(1.5+1.5+5.0) + (1.5+1.5+1.5)	12	18	6490	4452	1410	8722	7044	1988	8072	6503	2342	8036	6510	2732	7742	6224	2851	7252	5866	3059	6958	5580	3178	
	14	20	6490	4452	1410	9372	7044	1988	8722	6570	2370	8624	6510	2762	8330	6296	2881	7742	5866	3089	7448	5652	3237	
	16	22	6490	4738	1432	10021	7044	2014	9279	6570	2398	9212	6510	2792	8918	6296	2940	8330	5866	3148	8036	5652	3267	
	18	25	6959	5080	1455	10671	7654	2040	9835	7112	2425	9800	7082	2822	9408	6796	2940	8820	6367	3178	8428	6081	3297	
	19	27	7194	5251	1477	11042	8060	2066	10207	7451	2453	10192	7440	2851	9800	7154	2970	9212	6725	3178	8820	6439	3297	
	22	30	7976	5194	1477	12248	7993	2066	11320	7383	2453	11270	7369	2881	10878	7082	3000	9800	6868	3297	9114	6725	3475	
	24	32	8523	5194	1499	13083	7993	2092	12062	7383	2480	12054	7369	2881	11564	7082	3029	10192	7011	3386	9310	6939	3594	
(1.5+1.5+5.0) + (1.5+1.5+1.8)	12	18	6689	4589	1458	8989	7260	2054	8320	6702	2421	8282	6709	2824	7979	6415	2947	7474	6046	3162	7171	5751	3285	
	14	20	6689	4589	1458	9658	7260	2054	8989	6771	2450	8888	6709	2855	8585	6488	2978	7979	6046	3193	7676	5825	3346	
	16	22	6689	4883	1481	10328	7260	2081	9563	6771	2478	9494	6709	2886	9191	6488	3039	8585	6046	3254	8282	5825	3377	
	18	25	7172	5236	1503	10997	7888	2109	10137	7330	2507	10100	7299	2917	9696	7004	3039	9090	6562	3285	8686	6267	3408	
	19	27	7414	5412	1526	11380	8307	2136	10519	7679	2535	10504	7668	2947	10100	7373	3070	9494	6931	3285	9090	6636	3408	
	22	30	8220	5353	1526	12623	8237	2136	11667	7609	2535	11615	7594	2978	11211	7299	3101	10100	7078	3408	9393	6931	3592	
	24	32	8784	5353	1549	13484	8237	2163	12432	7609	2564	12423	7594	2978	11918	7299	3131	10504	7226	3500	9595	7152	3715	
(1.5+1.5+5.0) + (1.5+1.5+2.5)	12	18	7020	4816	1520	9434	7619	2141	8731	7033	2524	8692	7042	2944	8374	6732	3072	7844	6345	3296	7526	6036	3424	
	14	20	7020	4816	1520	10137	7619	2141	9434	7107	2554	9328	7042	2976	9010	6809	3104	8374	6345	3328	8056	6113	3488	
	16	22	7020	5124	1543	10839	7619	2170	10036	7107	2583	9964	7042	3008	9646	6809	3168	9010	6345	3392	8692	6113	3520	
	18	25	7527	5495	1567	11542	8279	2198	10638	7693	2613	10600	7661	3040	10176	7351	3168	9540	6887	3424	9116	6577	3552	
	19	27	7781	5680	1591	11943	8718	2226	11040	8059	2643	11024	8048	3072	10600	7738	3200	9964	7274	3424	9540	6964	3552	
	22	30	8627	5618	1591	13248	8645	2226	12244	7986	2643	12190	7970	3104	11766	7661	3232	10600	7428	3552	9858	7274	3744	
	24	32	9219	5618	1615	14151	8645	2254	13047	7986	2672	13038	7970	3104	12508	7661	3264	11024	7583	3648	10070	7506	3872	

		INDOOR		OUTDOOR TEMPERATURE (°CDB)																				
		EWB	EDB	-10			21			27			32			35			40			43		
		°C	°C	TC	SHC	PI	TC	SHC	PI	TC	SHC	PI	TC	SHC	PI	TC	SHC	PI	TC	SHC	PI	TC	SHC	PI
(1.5+1.5+5.0) + (1.5+1.5+3.5)	12	18	7020	4816	1520	9434	7619	2141	8731	7033	2524	8692	7042	2944	8374	6732	3072	7844	6345	3296	7526	6036	3424	
	14	20	7020	4816	1520	10137	7619	2141	9434	7107	2554	9328	7042	2976	9010	6809	3104	8374	6345	3328	8056	6113	3488	
	16	22	7020	5124	1543	10839	7619	2170	10036	7107	2583	9964	7042	3008	9646	6809	3168	9010	6345	3392	8692	6113	3520	
	18	25	7527	5495	1567	11542	8279	2198	10638	7693	2613	10600	7661	3040	10176	7351	3168	9540	6887	3424	9116	6577	3552	
	19	27	7781	5680	1591	11943	8718	2226	11040	8059	2643	11024	8048	3072	10600	7738	3200	9964	7274	3424	9540	6964	3552	
	22	30	8627	5618	1591	13248	8645	2226	12244	7986	2643	12190	7970	3104	11766	7661	3232	10600	7428	3552	9858	7274	3744	
	24	32	9219	5618	1615	14151	8645	2254	13047	7986	2672	13038	7970	3104	12508	7661	3264	11024	7583	3648	10070	7506	3872	
(1.5+1.5+5.0) + (1.5+1.5+5.0)	12	18	7020	4816	1520	9434	7619	2141	8731	7033	2524	8692	7042	2944	8374	6732	3072	7844	6345	3296	7526	6036	3424	
	14	20	7020	4816	1520	10137	7619	2141	9434	7107	2554	9328	7042	2976	9010	6809	3104	8374	6345	3328	8056	6113	3488	
	16	22	7020	5124	1543	10839	7619	2170	10036	7107	2583	9964	7042	3008	9646	6809	3168	9010	6345	3392	8692	6113	3520	
	18	25	7527	5495	1567	11542	8279	2198	10638	7693	2613	10600	7661	3040	10176	7351	3168	9540	6887	3424	9116	6577	3552	
	19	27	7781	5680	1591	11943	8718	2226	11040	8059	2643	11024	8048	3072	10600	7738	3200	9964	7274	3424	9540	6964	3552	
	22	30	8627	5618	1591	13248	8645	2226	12244	7986	2643	12190	7970	3104	11766	7661	3232	10600	7428	3552	9858	7274	3744	
	24	32	9219	5618	1615	14151	8645	2254	13047	7986	2672	13038	7970	3104	12508	7661	3264	11024	7583	3648	10070	7506	3872	
(1.5+1.5+5.0) + (1.5+1.8+1.8)	12	18	6887	4725	1496	9256	7476	2108	8567	6901	2484	8528	6909	2898	8216	6605	3024	7696	6225	3245	7384	5922	3371	
	14	20	6887	4725	1496	9945	7476	2108	9256	6973	2514	9152	6909	2930	8840	6681	3056	8216	6225	3276	7904	5998	3434	
	16	22	6887	5028	1519	10635	7476	2136	9847	6973	2543	9776	6909	2961	9464	6681	3119	8840	6225	3339	8528	5998	3465	
	18	25	7385	5391	1543	11324	8123	2163	10438	7548	2572	10400	7516	2993	9984	7212	3119	9360	6757	3371	8944	6453	3497	
	19	27	7634	5573	1566	11718	8554	2191	10831	7907	2601	10816	7896	3024	10400	7592	3150	9776	7136	3371	9360	6833	3497	
	22	30	8464	5512	1566	12998	8482	2191	12013	7835	2601	11960	7820	3056	11544	7516	3182	10400	7288	3497	9672	7136	3686	
	24	32	9045	5512	1589	13884	8482	2219	12801	7835	2631	12792	7820	3056	12272	7516	3213	10816	7440	3591	9880	7364	3812	
(1.5+1.5+5.0) + (1.5+1.8+2.5)	12	18	7020	4816	1520	9434	7619	2141	8731	7033	2524	8692	7042	2944	8374	6732	3072	7844	6345	3296	7526	6036	3424	
	14	20	7020	4816	1520	10137	7619	2141	9434	7107	2554	9328	7042	2976	9010	6809	3104	8374	6345	3328	8056	6113	3488	
	16	22	7020	5124	1543	10839	7619	2170	10036	7107	2583	9964	7042	3008	9646	6809	3168	9010	6345	3392	8692	6113	3520	
	18	25	7527	5495	1567	11542	8279	2198	10638	7693	2613	10600	7661	3040	10176	7351	3168	9540	6887	3424	9116	6577	3552	
	19	27	7781	5680	1591	11943	8718	2226	11040	8059	2643	11024	8048	3072	10600	7738	3200	9964	7274	3424	9540	6964	3552	
	22	30	8627	5618	1591	13248	8645	2226	12244	7986	2643	12190	7970	3104	11766	7661	3232	10600	7428	3552	9858	7274	3744	
	24	32	9219	5618	1615	14151	8645	2254	13047	7986	2672	13038	7970	3104	12508	7661	3264	11024	7583	3648	10070	7506	3872	
(1.5+1.5+5.0) + (1.5+1.8+3.5)	12	18	7020	4816	1520	9434	7619	2141	8731	7033	2524	8692	7042	2944	8374	6732	3072	7844	6345	3296	7526	6036	3424	
	14	20	7020	4816	1520	10137	7619	2141	9434	7107	2554	9328	7042	2976	9010	6809	3104	8374	6345	3328	8056	6113	3488	
	16	22	7020	5124	1543	10839	7619	2170	10036	7107	2583	9964	7042	3008	9646	6809	3168	9010	6345	3392	8692	6113	3520	
	18	25	7527	5495	1567	11542	8279	2198	10638	7693	2613	10600	7661	3040	10176	7351	3168	9540	6887	3424	9116	6577	3552	
	19	27	7781	5680	1591	11943	8718	2226	11040	8059	2643	11024	8048	3072	10600	7738	3200	9964	7274	3424	9540	6964	3552	
	22	30	8627	5618	1591	13248	8645	2226	12244	7986	2643	12190	7970	3104	11766	7661	3232	10600	7428	3552	9858	7274	3744	
	24	32	9219	5618	1615	14151	8645	2254	13047	7986	2672	13038	7970	3104	12508	7661	3264	11024	7583	3648	10070	7506	3872	
(1.5+1.5+5.0) + (1.5+1.8+5.0)	12	18	7020	4816	1520	9434	7619	2141	8731	7033	2524	8692	7042	2944	8374	6732	3072	7844	6345	3296	7526	6036	3424	
	14	20	7020	4816	1520	10137	7619	2141	9434	7107	2554	9328	7042	2976	9010	6809	3104	8374	6345	3328	8056	6113	3488	
	16	22	7020	5124	1543	10839	7619	2170	10036	7107	2583	9964	7042	3008	9646	6809	3168	9010	6345	3392	8692	6113	3520	
	18	25	7527	5495	1567	11542	8279	2198	10638	7693	2613	10600	7661	3040	10176	7351	3168	9540	6887	3424	9116	6577	3552	
	19	27	7781	5680	1591	11943	8718	2226	11040	8059	2643	11024	8048	3072	10600	7738	3200	9964	7274	3424	9540	6964	3552	
	22	30	8627	5618	1591	13248	8645	2226	12244	7986	2643	12190	7970	3104	11766	7661	3232	10600	7428	3552	9858	7274	3744	
	24	32	9219	5618	1615	14151	8645	2254	13047	7986	2672	13038	7970	3104	12508	7661	3264	11024	7583	3648	10070	7506	3872	

		INDOOR		OUTDOOR TEMPERATURE (°CDB)																				
		EWB	EDB	-10			21			27			32			35			40			43		
		°C	°C	TC	SHC	PI	TC	SHC	PI	TC	SHC	PI	TC	SHC	PI	TC	SHC	PI	TC	SHC	PI	TC	SHC	PI
(1.5+1.5+5.0) + (1.5+2.5+2.5)	12	18	7020	4816	1520	9434	7619	2141	8731	7033	2524	8692	7042	2944	8374	6732	3072	7844	6345	3296	7526	6036	3424	
	14	20	7020	4816	1520	10137	7619	2141	9434	7107	2554	9328	7042	2976	9010	6809	3104	8374	6345	3328	8056	6113	3488	
	16	22	7020	5124	1543	10839	7619	2170	10036	7107	2583	9964	7042	3008	9646	6809	3168	9010	6345	3392	8692	6113	3520	
	18	25	7527	5495	1567	11542	8279	2198	10638	7693	2613	10600	7661	3040	10176	7351	3168	9540	6887	3424	9116	6577	3552	
	19	27	7781	5680	1591	11943	8718	2226	11040	8059	2643	11024	8048	3072	10600	7738	3200	9964	7274	3424	9540	6964	3552	
	22	30	8627	5618	1591	13248	8645	2226	12244	7986	2643	12190	7970	3104	11766	7661	3232	10600	7428	3552	9858	7274	3744	
	24	32	9219	5618	1615	14151	8645	2254	13047	7986	2672	13038	7970	3104	12508	7661	3264	11024	7583	3648	10070	7506	3872	
(1.5+1.5+5.0) + (1.5+2.5+3.5)	12	18	7020	4816	1520	9434	7619	2141	8731	7033	2524	8692	7042	2944	8374	6732	3072	7844	6345	3296	7526	6036	3424	
	14	20	7020	4816	1520	10137	7619	2141	9434	7107	2554	9328	7042	2976	9010	6809	3104	8374	6345	3328	8056	6113	3488	
	16	22	7020	5124	1543	10839	7619	2170	10036	7107	2583	9964	7042	3008	9646	6809	3168	9010	6345	3392	8692	6113	3520	
	18	25	7527	5495	1567	11542	8279	2198	10638	7693	2613	10600	7661	3040	10176	7351	3168	9540	6887	3424	9116	6577	3552	
	19	27	7781	5680	1591	11943	8718	2226	11040	8059	2643	11024	8048	3072	10600	7738	3200	9964	7274	3424	9540	6964	3552	
	22	30	8627	5618	1591	13248	8645	2226	12244	7986	2643	12190	7970	3104	11766	7661	3232	10600	7428	3552	9858	7274	3744	
	24	32	9219	5618	1615	14151	8645	2254	13047	7986	2672	13038	7970	3104	12508	7661	3264	11024	7583	3648	10070	7506	3872	
(1.5+1.5+5.0) + (1.5+3.5+3.5)	12	18	7020	4816	1520	9434	7619	2141	8731	7033	2524	8692	7042	2944	8374	6732	3072	7844	6345	3296	7526	6036	3424	
	14	20	7020	4816	1520	10137	7619	2141	9434	7107	2554	9328	7042	2976	9010	6809	3104	8374	6345	3328	8056	6113	3488	
	16	22	7020	5124	1543	10839	7619	2170	10036	7107	2583	9964	7042	3008	9646	6809	3168	9010	6345	3392	8692	6113	3520	
	18	25	7527	5495	1567	11542	8279	2198	10638	7693	2613	10600	7661	3040	10176	7351	3168	9540	6887	3424	9116	6577	3552	
	19	27	7781	5680	1591	11943	8718	2226	11040	8059	2643	11024	8048	3072	10600	7738	3200	9964	7274	3424	9540	6964	3552	
	22	30	8627	5618	1591	13248	8645	2226	12244	7986	2643	12190	7970	3104	11766	7661	3232	10600	7428	3552	9858	7274	3744	
	24	32	9219	5618	1615	14151	8645	2254	13047	7986	2672	13038	7970	3104	12508	7661	3264	11024	7583	3648	10070	7506	3872	
(1.5+1.5+5.0) + (1.8+1.8+1.8)	12	18	7020	4816	1520	9434	7619	2141	8731	7033	2524	8692	7042	2944	8374	6732	3072	7844	6345	3296	7526	6036	3424	
	14	20	7020	4816	1520	10137	7619	2141	9434	7107	2554	9328	7042	2976	9010	6809	3104	8374	6345	3328	8056	6113	3488	
	16	22	7020	5124	1543	10839	7619	2170	10036	7107	2583	9964	7042	3008	9646	6809	3168	9010	6345	3392	8692	6113	3520	
	18	25	7527	5495	1567	11542	8279	2198	10638	7693	2613	10600	7661	3040	10176	7351	3168	9540	6887	3424	9116	6577	3552	
	19	27	7781	5680	1591	11943	8718	2226	11040	8059	2643	11024	8048	3072	10600	7738	3200	9964	7274	3424	9540	6964	3552	
	22	30	8627	5618	1591	13248	8645	2226	12244	7986	2643	12190	7970	3104	11766	7661	3232	10600	7428	3552	9858	7274	3744	
	24	32	9219	5618	1615	14151	8645	2254	13047	7986	2672	13038	7970	3104	12508	7661	3264	11024	7583	3648	10070	7506	3872	
(1.5+1.5+5.0) + (1.8+1.8+2.5)	12	18	7020	4816	1520	9434	7619	2141	8731	7033	2524	8692	7042	2944	8374	6732	3072	7844	6345	3296	7526	6036	3424	
	14	20	7020	4816	1520	10137	7619	2141	9434	7107	2554	9328	7042	2976	9010	6809	3104	8374	6345	3328	8056	6113	3488	
	16	22	7020	5124	1543	10839	7619	2170	10036	7107	2583	9964	7042	3008	9646	6809	3168	9010	6345	3392	8692	6113	3520	
	18	25	7527	5495	1567	11542	8279	2198	10638	7693	2613	10600	7661	3040	10176	7351	3168	9540	6887	3424	9116	6577	3552	
	19	27	7781	5680	1591	11943	8718	2226	11040	8059	2643	11024	8048	3072	10600	7738	3200	9964	7274	3424	9540	6964	3552	
	22	30	8627	5618	1591	13248	8645	2226	12244	7986	2643	12190	7970	3104	11766	7661	3232	10600	7428	3552	9858	7274	3744	
	24	32	9219	5618	1615	14151	8645	2254	13047	7986	2672	13038	7970	3104	12508	7661	3264	11024	7583	3648	10070	7506	3872	
(1.5+1.5+5.0) + (1.8+1.8+3.5)	12	18	7020	4816	1520	9434	7619	2141	8731	7033	2524	8692	7042	2944	8374	6732	3072	7844	6345	3296	7526	6036	3424	
	14	20	7020	4816	1520	10137	7619	2141	9434	7107	2554	9328	7042	2976	9010	6809	3104	8374	6345	3328	8056	6113	3488	
	16	22	7020	5124	1543	10839	7619	2170	10036	7107	2583	9964	7042	3008	9646	6809	3168	9010	6345	3392	8692	6113	3520	
	18	25	7527	5495	1567	11542	8279	2198	10638	7693	2613	10600	7661	3040	10176	7351	3168	9540	6887	3424	9116	6577	3552	
	19	27	7781	5680	1591	11943	8718	2226	11040	8059	2643	11024	8048	3072	10600	7738	3200	9964	7274	3424	9540	6964	3552	
	22	30	8627	5618	1591	13248	8645	2226	12244	7986	2643	12190	7970	3104	11766	7661	3232	10600	7428	3552	9858	7274	3744	
	24	32	9219	5618	1615	14151	8645	2254	13047	7986	2672	13038	7970	3104	12508	7661	3264	11024	7583	3648	10070	7506	3872	

		INDOOR		OUTDOOR TEMPERATURE (°CDB)																				
		EWB	EDB	-10			21			27			32			35			40			43		
		°C	°C	TC	SHC	PI	TC	SHC	PI	TC	SHC	PI	TC	SHC	PI	TC	SHC	PI	TC	SHC	PI	TC	SHC	PI
(1.5+1.5+5.0) + (1.8+1.8+5.0)	12	18	7020	4816	1520	9434	7619	2141	8731	7033	2524	8692	7042	2944	8374	6732	3072	7844	6345	3296	7526	6036	3424	
	14	20	7020	4816	1520	10137	7619	2141	9434	7107	2554	9328	7042	2976	9010	6809	3104	8374	6345	3328	8056	6113	3488	
	16	22	7020	5124	1543	10839	7619	2170	10036	7107	2583	9964	7042	3008	9646	6809	3168	9010	6345	3392	8692	6113	3520	
	18	25	7527	5495	1567	11542	8279	2198	10638	7693	2613	10600	7661	3040	10176	7351	3168	9540	6887	3424	9116	6577	3552	
	19	27	7781	5680	1591	11943	8718	2226	11040	8059	2643	11024	8048	3072	10600	7738	3200	9964	7274	3424	9540	6964	3552	
	22	30	8627	5618	1591	13248	8645	2226	12244	7986	2643	12190	7970	3104	11766	7661	3232	10600	7428	3552	9858	7274	3744	
	24	32	9219	5618	1615	14151	8645	2254	13047	7986	2672	13038	7970	3104	12508	7661	3264	11024	7583	3648	10070	7506	3872	
(1.5+1.5+5.0) + (1.8+2.5+2.5)	12	18	7020	4816	1520	9434	7619	2141	8731	7033	2524	8692	7042	2944	8374	6732	3072	7844	6345	3296	7526	6036	3424	
	14	20	7020	4816	1520	10137	7619	2141	9434	7107	2554	9328	7042	2976	9010	6809	3104	8374	6345	3328	8056	6113	3488	
	16	22	7020	5124	1543	10839	7619	2170	10036	7107	2583	9964	7042	3008	9646	6809	3168	9010	6345	3392	8692	6113	3520	
	18	25	7527	5495	1567	11542	8279	2198	10638	7693	2613	10600	7661	3040	10176	7351	3168	9540	6887	3424	9116	6577	3552	
	19	27	7781	5680	1591	11943	8718	2226	11040	8059	2643	11024	8048	3072	10600	7738	3200	9964	7274	3424	9540	6964	3552	
	22	30	8627	5618	1591	13248	8645	2226	12244	7986	2643	12190	7970	3104	11766	7661	3232	10600	7428	3552	9858	7274	3744	
	24	32	9219	5618	1615	14151	8645	2254	13047	7986	2672	13038	7970	3104	12508	7661	3264	11024	7583	3648	10070	7506	3872	
(1.5+1.5+5.0) + (1.8+2.5+3.5)	12	18	7020	4816	1520	9434	7619	2141	8731	7033	2524	8692	7042	2944	8374	6732	3072	7844	6345	3296	7526	6036	3424	
	14	20	7020	4816	1520	10137	7619	2141	9434	7107	2554	9328	7042	2976	9010	6809	3104	8374	6345	3328	8056	6113	3488	
	16	22	7020	5124	1543	10839	7619	2170	10036	7107	2583	9964	7042	3008	9646	6809	3168	9010	6345	3392	8692	6113	3520	
	18	25	7527	5495	1567	11542	8279	2198	10638	7693	2613	10600	7661	3040	10176	7351	3168	9540	6887	3424	9116	6577	3552	
	19	27	7781	5680	1591	11943	8718	2226	11040	8059	2643	11024	8048	3072	10600	7738	3200	9964	7274	3424	9540	6964	3552	
	22	30	8627	5618	1591	13248	8645	2226	12244	7986	2643	12190	7970	3104	11766	7661	3232	10600	7428	3552	9858	7274	3744	
	24	32	9219	5618	1615	14151	8645	2254	13047	7986	2672	13038	7970	3104	12508	7661	3264	11024	7583	3648	10070	7506	3872	
(1.5+1.5+5.0) + (1.8+3.5+3.5)	12	18	7020	4816	1520	9434	7619	2141	8731	7033	2524	8692	7042	2944	8374	6732	3072	7844	6345	3296	7526	6036	3424	
	14	20	7020	4816	1520	10137	7619	2141	9434	7107	2554	9328	7042	2976	9010	6809	3104	8374	6345	3328	8056	6113	3488	
	16	22	7020	5124	1543	10839	7619	2170	10036	7107	2583	9964	7042	3008	9646	6809	3168	9010	6345	3392	8692	6113	3520	
	18	25	7527	5495	1567	11542	8279	2198	10638	7693	2613	10600	7661	3040	10176	7351	3168	9540	6887	3424	9116	6577	3552	
	19	27	7781	5680	1591	11943	8718	2226	11040	8059	2643	11024	8048	3072	10600	7738	3200	9964	7274	3424	9540	6964	3552	
	22	30	8627	5618	1591	13248	8645	2226	12244	7986	2643	12190	7970	3104	11766	7661	3232	10600	7428	3552	9858	7274	3744	
	24	32	9219	5618	1615	14151	8645	2254	13047	7986	2672	13038	7970	3104	12508	7661	3264	11024	7583	3648	10070	7506	3872	
(1.5+1.5+5.0) + (2.5+2.5+2.5)	12	18	7020	4816	1520	9434	7619	2141	8731	7033	2524	8692	7042	2944	8374	6732	3072	7844	6345	3296	7526	6036	3424	
	14	20	7020	4816	1520	10137	7619	2141	9434	7107	2554	9328	7042	2976	9010	6809	3104	8374	6345	3328	8056	6113	3488	
	16	22	7020	5124	1543	10839	7619	2170	10036	7107	2583	9964	7042	3008	9646	6809	3168	9010	6345	3392	8692	6113	3520	
	18	25	7527	5495	1567	11542	8279	2198	10638	7693	2613	10600	7661	3040	10176	7351	3168	9540	6887	3424	9116	6577	3552	
	19	27	7781	5680	1591	11943	8718	2226	11040	8059	2643	11024	8048	3072	10600	7738	3200	9964	7274	3424	9540	6964	3552	
	22	30	8627	5618	1591	13248	8645	2226	12244	7986	2643	12190	7970	3104	11766	7661	3232	10600	7428	3552	9858	7274	3744	
	24	32	9219	5618	1615	14151	8645	2254	13047	7986	2672	13038	7970	3104	12508	7661	3264	11024	7583	3648	10070	7506	3872	
(1.5+1.5+5.0) + (2.5+2.5+3.5)	12	18	7020	4816	1520	9434	7619	2141	8731	7033	2524	8692	7042	2944	8374	6732	3072	7844	6345	3296	7526	6036	3424	
	14	20	7020	4816	1520	10137	7619	2141	9434	7107	2554	9328	7042	2976	9010	6809	3104	8374	6345	3328	8056	6113	3488	
	16	22	7020	5124	1543	10839	7619	2170	10036	7107	2583	9964	7042	3008	9646	6809	3168	9010	6345	3392	8692	6113	3520	
	18	25	7527	5495	1567	11542	8279	2198	10638	7693	2613	10600	7661	3040	10176	7351	3168	9540	6887	3424	9116	6577	3552	
	19	27	7781	5680	1591	11943	8718	2226	11040	8059	2643	11024	8048	3072	10600	7738	3200	9964	7274	3424	9540	6964	3552	
	22	30	8627	5618	1591	13248	8645	2226	12244	7986	2643	12190	7970	3104	11766	7661	3232	10600	7428	3552	9858	7274	3744	
	24	32	9219	5618	1615	14151	8645	2254	13047	7986	2672	13038	7970	3104	12508	7661	3264	11024	7583	3648	10070	7506	3872	

		INDOOR		OUTDOOR TEMPERATURE (°CDB)																				
		EWB	EDB	-10			21			27			32			35			40			43		
		°C	°C	TC	SHC	PI	TC	SHC	PI	TC	SHC	PI	TC	SHC	PI	TC	SHC	PI	TC	SHC	PI	TC	SHC	PI
(1.5+1.8+1.8) + (1.5+1.5+1.5)	12	18	6357	4361	1387	8544	6901	1954	7908	6370	2303	7872	6377	2686	7584	6097	2803	7104	5747	3008	6816	5466	3124	
	14	20	6357	4361	1387	9180	6901	1954	8544	6436	2330	8448	6377	2716	8160	6167	2832	7584	5747	3037	7296	5536	3183	
	16	22	6357	4641	1408	9817	6901	1980	9089	6436	2357	9024	6377	2745	8736	6167	2891	8160	5747	3095	7872	5536	3212	
	18	25	6817	4976	1430	10453	7498	2005	9635	6967	2384	9600	6938	2774	9216	6658	2891	8640	6237	3124	8256	5957	3241	
	19	27	7047	5144	1452	10816	7896	2031	9998	7299	2411	9984	7288	2803	9600	7008	2920	9024	6588	3124	8640	6307	3241	
	22	30	7813	5088	1452	11998	7830	2031	11089	7232	2411	11040	7218	2832	10656	6938	2949	9600	6728	3241	8928	6588	3416	
	24	32	8349	5088	1473	12816	7830	2057	11816	7232	2438	11808	7218	2832	11328	6938	2978	9984	6868	3329	9120	6798	3533	
(1.5+1.8+1.8) + (1.5+1.5+1.8)	12	18	6556	4498	1434	8811	7116	2021	8155	6569	2382	8118	6577	2778	7821	6287	2899	7326	5926	3111	7029	5637	3231	
	14	20	6556	4498	1434	9467	7116	2021	8811	6637	2410	8712	6577	2809	8415	6360	2929	7821	5926	3141	7524	5709	3292	
	16	22	6556	4786	1457	10123	7116	2048	9373	6637	2438	9306	6577	2839	9009	6360	2990	8415	5926	3201	8118	5709	3322	
	18	25	7030	5132	1479	10779	7732	2074	9936	7185	2466	9900	7155	2869	9504	6866	2990	8910	6432	3231	8514	6143	3352	
	19	27	7267	5305	1501	11154	8143	2101	10311	7527	2494	10296	7516	2899	9900	7227	3020	9306	6793	3231	8910	6504	3352	
	22	30	8057	5247	1501	12373	8074	2101	11436	7458	2494	11385	7444	2929	10989	7155	3050	9900	6938	3352	9207	6793	3533	
	24	32	8610	5247	1524	13217	8074	2127	12185	7458	2522	12177	7444	2929	11682	7155	3080	10296	7082	3443	9405	7010	3654	
(1.5+1.8+1.8) + (1.5+1.5+2.5)	12	18	6887	4725	1496	9256	7476	2108	8567	6901	2484	8528	6909	2898	8216	6605	3024	7696	6225	3245	7384	5922	3371	
	14	20	6887	4725	1496	9945	7476	2108	9256	6973	2514	9152	6909	2930	8840	6681	3056	8216	6225	3276	7904	5998	3434	
	16	22	6887	5028	1519	10635	7476	2136	9847	6973	2543	9776	6909	2961	9464	6681	3119	8840	6225	3339	8528	5998	3465	
	18	25	7385	5391	1543	11324	8123	2163	10438	7548	2572	10400	7516	2993	9984	7212	3119	9360	6757	3371	8944	6453	3497	
	19	27	7634	5573	1566	11718	8554	2191	10831	7907	2601	10816	7896	3024	10400	7592	3150	9776	7136	3371	9360	6833	3497	
	22	30	8464	5512	1566	12998	8482	2191	12013	7835	2601	11960	7820	3056	11544	7516	3182	10400	7288	3497	9672	7136	3686	
	24	32	9045	5512	1589	13884	8482	2219	12801	7835	2631	12792	7820	3056	12272	7516	3213	10816	7440	3591	9880	7364	3812	
(1.5+1.8+1.8) + (1.5+1.5+3.5)	12	18	6887	4725	1496	9256	7476	2108	8567	6901	2484	8528	6909	2898	8216	6605	3024	7696	6225	3245	7384	5922	3371	
	14	20	6887	4725	1496	9945	7476	2108	9256	6973	2514	9152	6909	2930	8840	6681	3056	8216	6225	3276	7904	5998	3434	
	16	22	6887	5028	1519	10635	7476	2136	9847	6973	2543	9776	6909	2961	9464	6681	3119	8840	6225	3339	8528	5998	3465	
	18	25	7385	5391	1543	11324	8123	2163	10438	7548	2572	10400	7516	2993	9984	7212	3119	9360	6757	3371	8944	6453	3497	
	19	27	7634	5573	1566	11718	8554	2191	10831	7907	2601	10816	7896	3024	10400	7592	3150	9776	7136	3371	9360	6833	3497	
	22	30	8464	5512	1566	12998	8482	2191	12013	7835	2601	11960	7820	3056	11544	7516	3182	10400	7288	3497	9672	7136	3686	
	24	32	9045	5512	1589	13884	8482	2219	12801	7835	2631	12792	7820	3056	12272	7516	3213	10816	7440	3591	9880	7364	3812	
(1.5+1.8+1.8) + (1.5+1.5+5.0)	12	18	6887	4725	1496	9256	7476	2108	8567	6901	2484	8528	6909	2898	8216	6605	3024	7696	6225	3245	7384	5922	3371	
	14	20	6887	4725	1496	9945	7476	2108	9256	6973	2514	9152	6909	2930	8840	6681	3056	8216	6225	3276	7904	5998	3434	
	16	22	6887	5028	1519	10635	7476	2136	9847	6973	2543	9776	6909	2961	9464	6681	3119	8840	6225	3339	8528	5998	3465	
	18	25	7385	5391	1543	11324	8123	2163	10438	7548	2572	10400	7516	2993	9984	7212	3119	9360	6757	3371	8944	6453	3497	
	19	27	7634	5573	1566	11718	8554	2191	10831	7907	2601	10816	7896	3024	10400	7592	3150	9776	7136	3371	9360	6833	3497	
	22	30	8464	5512	1566	12998	8482	2191	12013	7835	2601	11960	7820	3056	11544	7516	3182	10400	7288	3497	9672	7136	3686	
	24	32	9045	5512	1589	13884	8482	2219	12801	7835	2631	12792	7820	3056	12272	7516	3213	10816	7440	3591	9880	7364	3812	
(1.5+1.8+1.8) + (1.5+1.8+1.8)	12	18	6755	4634	1472	9078	7332	2075	8402	6768	2445	8364	6776	2852	8058	6478	2976	7548	6106	3193	7242	5808	3317	
	14	20	6755	4634	1472	9754	7332	2075	9078	6838	2474	8976	6776	2883	8670	6552	3007	8058	6106	3224	7752	5882	3379	
	16	22	6755	4931	1495	10430	7332	2102	9657	6838	2502	9588	6776	2914	9282	6552	3069	8670	6106	3286	8364	5882	3410	
	18	25	7243	5287	1518	11106	7966	2129	10237	7402	2531	10200	7372	2945	9792	7074	3069	9180	6627	3317	8772	6329	3441	
	19	27	7487	5466	1541	11492	8389	2156	10623	7755	2560	10608	7744	2976	10200	7446	3100	9588	6999	3317	9180	6701	3441	
	22	30	8301	5406	1541	12748	8319	2156	11782	7684	2560	11730	7669	3007	11322	7372	3131	10200	7148	3441	9486	6999	3627	
	24	32	8871	5406	1564	13617	8319	2184	12555	7684	2589	12546	7669	3007	12036	7372	3162	10608	7297	3534	9690	7223	3751	



		INDOOR		OUTDOOR TEMPERATURE (°CDB)																				
		EWB	EDB	-10			21			27			32			35			40			43		
		°C	°C	TC	SHC	PI	TC	SHC	PI	TC	SHC	PI	TC	SHC	PI	TC	SHC	PI	TC	SHC	PI	TC	SHC	PI
(1.5+1.8+1.8) + (1.5+1.8+2.5)	12	18	6887	4725	1496	9256	7476	2108	8567	6901	2484	8528	6909	2898	8216	6605	3024	7696	6225	3245	7384	5922	3371	
	14	20	6887	4725	1496	9945	7476	2108	9256	6973	2514	9152	6909	2930	8840	6681	3056	8216	6225	3276	7904	5998	3434	
	16	22	6887	5028	1519	10635	7476	2136	9847	6973	2543	9776	6909	2961	9464	6681	3119	8840	6225	3339	8528	5998	3465	
	18	25	7385	5391	1543	11324	8123	2163	10438	7548	2572	10400	7516	2993	9984	7212	3119	9360	6757	3371	8944	6453	3497	
	19	27	7634	5573	1566	11718	8554	2191	10831	7907	2601	10816	7896	3024	10400	7592	3150	9776	7136	3371	9360	6833	3497	
	22	30	8464	5512	1566	12998	8482	2191	12013	7835	2601	11960	7820	3056	11544	7516	3182	10400	7288	3497	9672	7136	3686	
	24	32	9045	5512	1589	13884	8482	2219	12801	7835	2631	12792	7820	3056	12272	7516	3213	10816	7440	3591	9880	7364	3812	
(1.5+1.8+1.8) + (1.5+1.8+3.5)	12	18	6887	4725	1496	9256	7476	2108	8567	6901	2484	8528	6909	2898	8216	6605	3024	7696	6225	3245	7384	5922	3371	
	14	20	6887	4725	1496	9945	7476	2108	9256	6973	2514	9152	6909	2930	8840	6681	3056	8216	6225	3276	7904	5998	3434	
	16	22	6887	5028	1519	10635	7476	2136	9847	6973	2543	9776	6909	2961	9464	6681	3119	8840	6225	3339	8528	5998	3465	
	18	25	7385	5391	1543	11324	8123	2163	10438	7548	2572	10400	7516	2993	9984	7212	3119	9360	6757	3371	8944	6453	3497	
	19	27	7634	5573	1566	11718	8554	2191	10831	7907	2601	10816	7896	3024	10400	7592	3150	9776	7136	3371	9360	6833	3497	
	22	30	8464	5512	1566	12998	8482	2191	12013	7835	2601	11960	7820	3056	11544	7516	3182	10400	7288	3497	9672	7136	3686	
	24	32	9045	5512	1589	13884	8482	2219	12801	7835	2631	12792	7820	3056	12272	7516	3213	10816	7440	3591	9880	7364	3812	
(1.5+1.8+1.8) + (1.5+1.8+5.0)	12	18	6887	4725	1496	9256	7476	2108	8567	6901	2484	8528	6909	2898	8216	6605	3024	7696	6225	3245	7384	5922	3371	
	14	20	6887	4725	1496	9945	7476	2108	9256	6973	2514	9152	6909	2930	8840	6681	3056	8216	6225	3276	7904	5998	3434	
	16	22	6887	5028	1519	10635	7476	2136	9847	6973	2543	9776	6909	2961	9464	6681	3119	8840	6225	3339	8528	5998	3465	
	18	25	7385	5391	1543	11324	8123	2163	10438	7548	2572	10400	7516	2993	9984	7212	3119	9360	6757	3371	8944	6453	3497	
	19	27	7634	5573	1566	11718	8554	2191	10831	7907	2601	10816	7896	3024	10400	7592	3150	9776	7136	3371	9360	6833	3497	
	22	30	8464	5512	1566	12998	8482	2191	12013	7835	2601	11960	7820	3056	11544	7516	3182	10400	7288	3497	9672	7136	3686	
	24	32	9045	5512	1589	13884	8482	2219	12801	7835	2631	12792	7820	3056	12272	7516	3213	10816	7440	3591	9880	7364	3812	
(1.5+1.8+1.8) + (1.5+2.5+2.5)	12	18	6887	4725	1496	9256	7476	2108	8567	6901	2484	8528	6909	2898	8216	6605	3024	7696	6225	3245	7384	5922	3371	
	14	20	6887	4725	1496	9945	7476	2108	9256	6973	2514	9152	6909	2930	8840	6681	3056	8216	6225	3276	7904	5998	3434	
	16	22	6887	5028	1519	10635	7476	2136	9847	6973	2543	9776	6909	2961	9464	6681	3119	8840	6225	3339	8528	5998	3465	
	18	25	7385	5391	1543	11324	8123	2163	10438	7548	2572	10400	7516	2993	9984	7212	3119	9360	6757	3371	8944	6453	3497	
	19	27	7634	5573	1566	11718	8554	2191	10831	7907	2601	10816	7896	3024	10400	7592	3150	9776	7136	3371	9360	6833	3497	
	22	30	8464	5512	1566	12998	8482	2191	12013	7835	2601	11960	7820	3056	11544	7516	3182	10400	7288	3497	9672	7136	3686	
	24	32	9045	5512	1589	13884	8482	2219	12801	7835	2631	12792	7820	3056	12272	7516	3213	10816	7440	3591	9880	7364	3812	
(1.5+1.8+1.8) + (1.5+2.5+3.5)	12	18	6887	4725	1496	9256	7476	2108	8567	6901	2484	8528	6909	2898	8216	6605	3024	7696	6225	3245	7384	5922	3371	
	14	20	6887	4725	1496	9945	7476	2108	9256	6973	2514	9152	6909	2930	8840	6681	3056	8216	6225	3276	7904	5998	3434	
	16	22	6887	5028	1519	10635	7476	2136	9847	6973	2543	9776	6909	2961	9464	6681	3119	8840	6225	3339	8528	5998	3465	
	18	25	7385	5391	1543	11324	8123	2163	10438	7548	2572	10400	7516	2993	9984	7212	3119	9360	6757	3371	8944	6453	3497	
	19	27	7634	5573	1566	11718	8554	2191	10831	7907	2601	10816	7896	3024	10400	7592	3150	9776	7136	3371	9360	6833	3497	
	22	30	8464	5512	1566	12998	8482	2191	12013	7835	2601	11960	7820	3056	11544	7516	3182	10400	7288	3497	9672	7136	3686	
	24	32	9045	5512	1589	13884	8482	2219	12801	7835	2631	12792	7820	3056	12272	7516	3213	10816	7440	3591	9880	7364	3812	
(1.5+1.8+1.8) + (1.5+3.5+3.5)	12	18	6887	4725	1496	9256	7476	2108	8567	6901	2484	8528	6909	2898	8216	6605	3024	7696	6225	3245	7384	5922	3371	
	14	20	6887	4725	1496	9945	7476	2108	9256	6973	2514	9152	6909	2930	8840	6681	3056	8216	6225	3276	7904	5998	3434	
	16	22	6887	5028	1519	10635	7476	2136	9847	6973	2543	9776	6909	2961	9464	6681	3119	8840	6225	3339	8528	5998	3465	
	18	25	7385	5391	1543	11324	8123	2163	10438	7548	2572	10400	7516	2993	9984	7212	3119	9360	6757	3371	8944	6453	3497	
	19	27	7634	5573	1566	11718	8554	2191	10831	7907	2601	10816	7896	3024	10400	7592	3150	9776	7136	3371	9360	6833	3497	
	22	30	8464	5512	1566	12998	8482	2191	12013	7835	2601	11960	7820	3056	11544	7516	3182	10400	7288	3497	9672	7136	3686	
	24	32	9045	5512	1589	13884	8482	2219	12801	7835	2631	12792	7820	3056	12272	7516	3213	10816	7440	3591	9880	7364	3812	

INDOOR		OUTDOOR TEMPERATURE (°CDB)																						
		EWB	EDB	-10			21			27			32			35			40			43		
				°C	°C	TC	SHC	PI	TC	SHC	PI	TC	SHC	PI	TC	SHC	PI	TC	SHC	PI	TC	SHC	PI	
(1.5+1.8+1.8) + (1.8+1.8+1.8)	12	18	6887	4725	1496	9256	7476	2108	8567	6901	2484	8528	6909	2898	8216	6605	3024	7696	6225	3245	7384	5922	3371	
	14	20	6887	4725	1496	9945	7476	2108	9256	6973	2514	9152	6909	2930	8840	6681	3056	8216	6225	3276	7904	5998	3434	
	16	22	6887	5028	1519	10635	7476	2136	9847	6973	2543	9776	6909	2961	9464	6681	3119	8840	6225	3339	8528	5998	3465	
	18	25	7385	5391	1543	11324	8123	2163	10438	7548	2572	10400	7516	2993	9984	7212	3119	9360	6757	3371	8944	6453	3497	
	19	27	7634	5573	1566	11718	8554	2191	10831	7907	2601	10816	7896	3024	10400	7592	3150	9776	7136	3371	9360	6833	3497	
	22	30	8464	5512	1566	12998	8482	2191	12013	7835	2601	11960	7820	3056	11544	7516	3182	10400	7288	3497	9672	7136	3686	
	24	32	9045	5512	1589	13884	8482	2219	12801	7835	2631	12792	7820	3056	12272	7516	3213	10816	7440	3591	9880	7364	3812	
(1.5+1.8+1.8) + (1.8+1.8+2.5)	12	18	6887	4725	1496	9256	7476	2108	8567	6901	2484	8528	6909	2898	8216	6605	3024	7696	6225	3245	7384	5922	3371	
	14	20	6887	4725	1496	9945	7476	2108	9256	6973	2514	9152	6909	2930	8840	6681	3056	8216	6225	3276	7904	5998	3434	
	16	22	6887	5028	1519	10635	7476	2136	9847	6973	2543	9776	6909	2961	9464	6681	3119	8840	6225	3339	8528	5998	3465	
	18	25	7385	5391	1543	11324	8123	2163	10438	7548	2572	10400	7516	2993	9984	7212	3119	9360	6757	3371	8944	6453	3497	
	19	27	7634	5573	1566	11718	8554	2191	10831	7907	2601	10816	7896	3024	10400	7592	3150	9776	7136	3371	9360	6833	3497	
	22	30	8464	5512	1566	12998	8482	2191	12013	7835	2601	11960	7820	3056	11544	7516	3182	10400	7288	3497	9672	7136	3686	
	24	32	9045	5512	1589	13884	8482	2219	12801	7835	2631	12792	7820	3056	12272	7516	3213	10816	7440	3591	9880	7364	3812	
(1.5+1.8+1.8) + (1.8+1.8+3.5)	12	18	6887	4725	1496	9256	7476	2108	8567	6901	2484	8528	6909	2898	8216	6605	3024	7696	6225	3245	7384	5922	3371	
	14	20	6887	4725	1496	9945	7476	2108	9256	6973	2514	9152	6909	2930	8840	6681	3056	8216	6225	3276	7904	5998	3434	
	16	22	6887	5028	1519	10635	7476	2136	9847	6973	2543	9776	6909	2961	9464	6681	3119	8840	6225	3339	8528	5998	3465	
	18	25	7385	5391	1543	11324	8123	2163	10438	7548	2572	10400	7516	2993	9984	7212	3119	9360	6757	3371	8944	6453	3497	
	19	27	7634	5573	1566	11718	8554	2191	10831	7907	2601	10816	7896	3024	10400	7592	3150	9776	7136	3371	9360	6833	3497	
	22	30	8464	5512	1566	12998	8482	2191	12013	7835	2601	11960	7820	3056	11544	7516	3182	10400	7288	3497	9672	7136	3686	
	24	32	9045	5512	1589	13884	8482	2219	12801	7835	2631	12792	7820	3056	12272	7516	3213	10816	7440	3591	9880	7364	3812	
(1.5+1.8+1.8) + (1.8+1.8+5.0)	12	18	6887	4725	1496	9256	7476	2108	8567	6901	2484	8528	6909	2898	8216	6605	3024	7696	6225	3245	7384	5922	3371	
	14	20	6887	4725	1496	9945	7476	2108	9256	6973	2514	9152	6909	2930	8840	6681	3056	8216	6225	3276	7904	5998	3434	
	16	22	6887	5028	1519	10635	7476	2136	9847	6973	2543	9776	6909	2961	9464	6681	3119	8840	6225	3339	8528	5998	3465	
	18	25	7385	5391	1543	11324	8123	2163	10438	7548	2572	10400	7516	2993	9984	7212	3119	9360	6757	3371	8944	6453	3497	
	19	27	7634	5573	1566	11718	8554	2191	10831	7907	2601	10816	7896	3024	10400	7592	3150	9776	7136	3371	9360	6833	3497	
	22	30	8464	5512	1566	12998	8482	2191	12013	7835	2601	11960	7820	3056	11544	7516	3182	10400	7288	3497	9672	7136	3686	
	24	32	9045	5512	1589	13884	8482	2219	12801	7835	2631	12792	7820	3056	12272	7516	3213	10816	7440	3591	9880	7364	3812	
(1.5+1.8+1.8) + (1.8+2.5+2.5)	12	18	6887	4725	1496	9256	7476	2108	8567	6901	2484	8528	6909	2898	8216	6605	3024	7696	6225	3245	7384	5922	3371	
	14	20	6887	4725	1496	9945	7476	2108	9256	6973	2514	9152	6909	2930	8840	6681	3056	8216	6225	3276	7904	5998	3434	
	16	22	6887	5028	1519	10635	7476	2136	9847	6973	2543	9776	6909	2961	9464	6681	3119	8840	6225	3339	8528	5998	3465	
	18	25	7385	5391	1543	11324	8123	2163	10438	7548	2572	10400	7516	2993	9984	7212	3119	9360	6757	3371	8944	6453	3497	
	19	27	7634	5573	1566	11718	8554	2191	10831	7907	2601	10816	7896	3024	10400	7592	3150	9776	7136	3371	9360	6833	3497	
	22	30	8464	5512	1566	12998	8482	2191	12013	7835	2601	11960	7820	3056	11544	7516	3182	10400	7288	3497	9672	7136	3686	
	24	32	9045	5512	1589	13884	8482	2219	12801	7835	2631	12792	7820	3056	12272	7516	3213	10816	7440	3591	9880	7364	3812	
(1.5+1.8+1.8) + (1.8+2.5+3.5)	12	18	6887	4725	1496	9256	7476	2108	8567	6901	2484	8528	6909	2898	8216	6605	3024	7696	6225	3245	7384	5922	3371	
	14	20	6887	4725	1496	9945	7476	2108	9256	6973	2514	9152	6909	2930	8840	6681	3056	8216	6225	3276	7904	5998	3434	
	16	22	6887	5028	1519	10635	7476	2136	9847	6973	2543	9776	6909	2961	9464	6681	3119	8840	6225	3339	8528	5998	3465	
	18	25	7385	5391	1543	11324	8123	2163	10438	7548	2572	10400	7516	2993	9984	7212	3119	9360	6757	3371	8944	6453	3497	
	19	27	7634	5573	1566	11718	8554	2191	10831	7907	2601	10816	7896	3024	10400	7592	3150	9776	7136	3371	9360	6833	3497	
	22	30	8464	5512	1566	12998	8482	2191	12013	7835	2601	11960	7820	3056	11544	7516	3182	10400	7288	3497	9672	7136	3686	
	24	32	9045	5512	1589	13884	8482	2219	12801	7835	2631	12792	7820	3056	12272	7516	3213	10816	7440	3591	9880	7364	3812	

		INDOOR		OUTDOOR TEMPERATURE (°CDB)																				
		EWB	EDB	-10			21			27			32			35			40			43		
		°C	°C	TC	SHC	PI	TC	SHC	PI	TC	SHC	PI	TC	SHC	PI	TC	SHC	PI	TC	SHC	PI	TC	SHC	PI
(1.5+1.8+1.8) + (1.8+3.5+3.5)	12	18	6887	4725	1496	9256	7476	2108	8567	6901	2484	8528	6909	2898	8216	6605	3024	7696	6225	3245	7384	5922	3371	
	14	20	6887	4725	1496	9945	7476	2108	9256	6973	2514	9152	6909	2930	8840	6681	3056	8216	6225	3276	7904	5998	3434	
	16	22	6887	5028	1519	10635	7476	2136	9847	6973	2543	9776	6909	2961	9464	6681	3119	8840	6225	3339	8528	5998	3465	
	18	25	7385	5391	1543	11324	8123	2163	10438	7548	2572	10400	7516	2993	9984	7212	3119	9360	6757	3371	8944	6453	3497	
	19	27	7634	5573	1566	11718	8554	2191	10831	7907	2601	10816	7896	3024	10400	7592	3150	9776	7136	3371	9360	6833	3497	
	22	30	8464	5512	1566	12998	8482	2191	12013	7835	2601	11960	7820	3056	11544	7516	3182	10400	7288	3497	9672	7136	3686	
	24	32	9045	5512	1589	13884	8482	2219	12801	7835	2631	12792	7820	3056	12272	7516	3213	10816	7440	3591	9880	7364	3812	
(1.5+1.8+1.8) + (2.5+2.5+2.5)	12	18	6887	4725	1496	9256	7476	2108	8567	6901	2484	8528	6909	2898	8216	6605	3024	7696	6225	3245	7384	5922	3371	
	14	20	6887	4725	1496	9945	7476	2108	9256	6973	2514	9152	6909	2930	8840	6681	3056	8216	6225	3276	7904	5998	3434	
	16	22	6887	5028	1519	10635	7476	2136	9847	6973	2543	9776	6909	2961	9464	6681	3119	8840	6225	3339	8528	5998	3465	
	18	25	7385	5391	1543	11324	8123	2163	10438	7548	2572	10400	7516	2993	9984	7212	3119	9360	6757	3371	8944	6453	3497	
	19	27	7634	5573	1566	11718	8554	2191	10831	7907	2601	10816	7896	3024	10400	7592	3150	9776	7136	3371	9360	6833	3497	
	22	30	8464	5512	1566	12998	8482	2191	12013	7835	2601	11960	7820	3056	11544	7516	3182	10400	7288	3497	9672	7136	3686	
	24	32	9045	5512	1589	13884	8482	2219	12801	7835	2631	12792	7820	3056	12272	7516	3213	10816	7440	3591	9880	7364	3812	
(1.5+1.8+1.8) + (2.5+2.5+3.5)	12	18	6887	4725	1496	9256	7476	2108	8567	6901	2484	8528	6909	2898	8216	6605	3024	7696	6225	3245	7384	5922	3371	
	14	20	6887	4725	1496	9945	7476	2108	9256	6973	2514	9152	6909	2930	8840	6681	3056	8216	6225	3276	7904	5998	3434	
	16	22	6887	5028	1519	10635	7476	2136	9847	6973	2543	9776	6909	2961	9464	6681	3119	8840	6225	3339	8528	5998	3465	
	18	25	7385	5391	1543	11324	8123	2163	10438	7548	2572	10400	7516	2993	9984	7212	3119	9360	6757	3371	8944	6453	3497	
	19	27	7634	5573	1566	11718	8554	2191	10831	7907	2601	10816	7896	3024	10400	7592	3150	9776	7136	3371	9360	6833	3497	
	22	30	8464	5512	1566	12998	8482	2191	12013	7835	2601	11960	7820	3056	11544	7516	3182	10400	7288	3497	9672	7136	3686	
	24	32	9045	5512	1589	13884	8482	2219	12801	7835	2631	12792	7820	3056	12272	7516	3213	10816	7440	3591	9880	7364	3812	
(1.5+1.8+2.5) + (1.5+1.5+1.5)	12	18	6490	4452	1410	8722	7044	1988	8072	6503	2342	8036	6510	2732	7742	6224	2851	7252	5866	3059	6958	5580	3178	
	14	20	6490	4452	1410	9372	7044	1988	8722	6570	2370	8624	6510	2762	8330	6296	2881	7742	5866	3089	7448	5652	3237	
	16	22	6490	4738	1432	10021	7044	2014	9279	6570	2398	9212	6510	2792	8918	6296	2940	8330	5866	3148	8036	5652	3267	
	18	25	6959	5080	1455	10671	7654	2040	9835	7112	2425	9800	7082	2822	9408	6796	2940	8820	6367	3178	8428	6081	3297	
	19	27	7194	5251	1477	11042	8060	2066	10207	7451	2453	10192	7440	2851	9800	7154	2970	9212	6725	3178	8820	6439	3297	
	22	30	7976	5194	1477	12248	7993	2066	11320	7383	2453	11270	7369	2881	10878	7082	3000	9800	6868	3297	9114	6725	3475	
	24	32	8523	5194	1499	13083	7993	2092	12062	7383	2480	12054	7369	2881	11564	7082	3029	10192	7011	3386	9310	6939	3594	
(1.5+1.8+2.5) + (1.5+1.5+1.8)	12	18	6689	4589	1458	8989	7260	2054	8320	6702	2421	8282	6709	2824	7979	6415	2947	7474	6046	3162	7171	5751	3285	
	14	20	6689	4589	1458	9658	7260	2054	8989	6771	2450	8888	6709	2855	8585	6488	2978	7979	6046	3193	7676	5825	3346	
	16	22	6689	4883	1481	10328	7260	2081	9563	6771	2478	9494	6709	2886	9191	6488	3039	8585	6046	3254	8282	5825	3377	
	18	25	7172	5236	1503	10997	7888	2109	10137	7330	2507	10100	7299	2917	9696	7004	3039	9090	6562	3285	8686	6267	3408	
	19	27	7414	5412	1526	11380	8307	2136	10519	7679	2535	10504	7668	2947	10100	7373	3070	9494	6931	3285	9090	6636	3408	
	22	30	8220	5353	1526	12623	8237	2136	11667	7609	2535	11615	7594	2978	11211	7299	3101	10100	7078	3408	9393	6931	3592	
	24	32	8784	5353	1549	13484	8237	2163	12432	7609	2564	12423	7594	2978	11918	7299	3131	10504	7226	3500	9595	7152	3715	
(1.5+1.8+2.5) + (1.5+1.5+2.5)	12	18	7020	4816	1520	9434	7619	2141	8731	7033	2524	8692	7042	2944	8374	6732	3072	7844	6345	3296	7526	6036	3424	
	14	20	7020	4816	1520	10137	7619	2141	9434	7107	2554	9328	7042	2976	9010	6809	3104	8374	6345	3328	8056	6113	3488	
	16	22	7020	5124	1543	10839	7619	2170	10036	7107	2583	9964	7042	3008	9646	6809	3168	9010	6345	3392	8692	6113	3520	
	18	25	7527	5495	1567	11542	8279	2198	10638	7693	2613	10600	7661	3040	10176	7351	3168	9540	6887	3424	9116	6577	3552	
	19	27	7781	5680	1591	11943	8718	2226	11040	8059	2643	11024	8048	3072	10600	7738	3200	9964	7274	3424	9540	6964	3552	
	22	30	8627	5618	1591	13248	8645	2226	12244	7986	2643	12190	7970	3104	11766	7661	3232	10600	7428	3552	9858	7274	3744	
	24	32	9219	5618	1615	14151	8645	2254	13047	7986	2672	13038	7970	3104	12508	7661	3264	11024	7583	3648	10070	7506	3872	

		INDOOR		OUTDOOR TEMPERATURE (°CDB)																				
		EWB	EDB	-10			21			27			32			35			40			43		
		°C	°C	TC	SHC	PI	TC	SHC	PI	TC	SHC	PI	TC	SHC	PI	TC	SHC	PI	TC	SHC	PI	TC	SHC	PI
(1.5+1.8+2.5) + (1.5+1.5+3.5)	12	18	7020	4816	1520	9434	7619	2141	8731	7033	2524	8692	7042	2944	8374	6732	3072	7844	6345	3296	7526	6036	3424	
	14	20	7020	4816	1520	10137	7619	2141	9434	7107	2554	9328	7042	2976	9010	6809	3104	8374	6345	3328	8056	6113	3488	
	16	22	7020	5124	1543	10839	7619	2170	10036	7107	2583	9964	7042	3008	9646	6809	3168	9010	6345	3392	8692	6113	3520	
	18	25	7527	5495	1567	11542	8279	2198	10638	7693	2613	10600	7661	3040	10176	7351	3168	9540	6887	3424	9116	6577	3552	
	19	27	7781	5680	1591	11943	8718	2226	11040	8059	2643	11024	8048	3072	10600	7738	3200	9964	7274	3424	9540	6964	3552	
	22	30	8627	5618	1591	13248	8645	2226	12244	7986	2643	12190	7970	3104	11766	7661	3232	10600	7428	3552	9858	7274	3744	
	24	32	9219	5618	1615	14151	8645	2254	13047	7986	2672	13038	7970	3104	12508	7661	3264	11024	7583	3648	10070	7506	3872	
(1.5+1.8+2.5) + (1.5+1.5+5.0)	12	18	7020	4816	1520	9434	7619	2141	8731	7033	2524	8692	7042	2944	8374	6732	3072	7844	6345	3296	7526	6036	3424	
	14	20	7020	4816	1520	10137	7619	2141	9434	7107	2554	9328	7042	2976	9010	6809	3104	8374	6345	3328	8056	6113	3488	
	16	22	7020	5124	1543	10839	7619	2170	10036	7107	2583	9964	7042	3008	9646	6809	3168	9010	6345	3392	8692	6113	3520	
	18	25	7527	5495	1567	11542	8279	2198	10638	7693	2613	10600	7661	3040	10176	7351	3168	9540	6887	3424	9116	6577	3552	
	19	27	7781	5680	1591	11943	8718	2226	11040	8059	2643	11024	8048	3072	10600	7738	3200	9964	7274	3424	9540	6964	3552	
	22	30	8627	5618	1591	13248	8645	2226	12244	7986	2643	12190	7970	3104	11766	7661	3232	10600	7428	3552	9858	7274	3744	
	24	32	9219	5618	1615	14151	8645	2254	13047	7986	2672	13038	7970	3104	12508	7661	3264	11024	7583	3648	10070	7506	3872	
(1.5+1.8+2.5) + (1.5+1.8+1.8)	12	18	6887	4725	1496	9256	7476	2108	8567	6901	2484	8528	6909	2898	8216	6605	3024	7696	6225	3245	7384	5922	3371	
	14	20	6887	4725	1496	9945	7476	2108	9256	6973	2514	9152	6909	2930	8840	6681	3056	8216	6225	3276	7904	5998	3434	
	16	22	6887	5028	1519	10635	7476	2136	9847	6973	2543	9776	6909	2961	9464	6681	3119	8840	6225	3339	8528	5998	3465	
	18	25	7385	5391	1543	11324	8123	2163	10438	7548	2572	10400	7516	2993	9984	7212	3119	9360	6757	3371	8944	6453	3497	
	19	27	7634	5573	1566	11718	8554	2191	10831	7907	2601	10816	7896	3024	10400	7592	3150	9776	7136	3371	9360	6833	3497	
	22	30	8464	5512	1566	12998	8482	2191	12013	7835	2601	11960	7820	3056	11544	7516	3182	10400	7288	3497	9672	7136	3686	
	24	32	9045	5512	1589	13884	8482	2219	12801	7835	2631	12792	7820	3056	12272	7516	3213	10816	7440	3591	9880	7364	3812	
(1.5+1.8+2.5) + (1.5+1.8+2.5)	12	18	7020	4816	1520	9434	7619	2141	8731	7033	2524	8692	7042	2944	8374	6732	3072	7844	6345	3296	7526	6036	3424	
	14	20	7020	4816	1520	10137	7619	2141	9434	7107	2554	9328	7042	2976	9010	6809	3104	8374	6345	3328	8056	6113	3488	
	16	22	7020	5124	1543	10839	7619	2170	10036	7107	2583	9964	7042	3008	9646	6809	3168	9010	6345	3392	8692	6113	3520	
	18	25	7527	5495	1567	11542	8279	2198	10638	7693	2613	10600	7661	3040	10176	7351	3168	9540	6887	3424	9116	6577	3552	
	19	27	7781	5680	1591	11943	8718	2226	11040	8059	2643	11024	8048	3072	10600	7738	3200	9964	7274	3424	9540	6964	3552	
	22	30	8627	5618	1591	13248	8645	2226	12244	7986	2643	12190	7970	3104	11766	7661	3232	10600	7428	3552	9858	7274	3744	
	24	32	9219	5618	1615	14151	8645	2254	13047	7986	2672	13038	7970	3104	12508	7661	3264	11024	7583	3648	10070	7506	3872	
(1.5+1.8+2.5) + (1.5+1.8+3.5)	12	18	7020	4816	1520	9434	7619	2141	8731	7033	2524	8692	7042	2944	8374	6732	3072	7844	6345	3296	7526	6036	3424	
	14	20	7020	4816	1520	10137	7619	2141	9434	7107	2554	9328	7042	2976	9010	6809	3104	8374	6345	3328	8056	6113	3488	
	16	22	7020	5124	1543	10839	7619	2170	10036	7107	2583	9964	7042	3008	9646	6809	3168	9010	6345	3392	8692	6113	3520	
	18	25	7527	5495	1567	11542	8279	2198	10638	7693	2613	10600	7661	3040	10176	7351	3168	9540	6887	3424	9116	6577	3552	
	19	27	7781	5680	1591	11943	8718	2226	11040	8059	2643	11024	8048	3072	10600	7738	3200	9964	7274	3424	9540	6964	3552	
	22	30	8627	5618	1591	13248	8645	2226	12244	7986	2643	12190	7970	3104	11766	7661	3232	10600	7428	3552	9858	7274	3744	
	24	32	9219	5618	1615	14151	8645	2254	13047	7986	2672	13038	7970	3104	12508	7661	3264	11024	7583	3648	10070	7506	3872	
(1.5+1.8+2.5) + (1.5+1.8+5.0)	12	18	7020	4816	1520	9434	7619	2141	8731	7033	2524	8692	7042	2944	8374	6732	3072	7844	6345	3296	7526	6036	3424	
	14	20	7020	4816	1520	10137	7619	2141	9434	7107	2554	9328	7042	2976	9010	6809	3104	8374	6345	3328	8056	6113	3488	
	16	22	7020	5124	1543	10839	7619	2170	10036	7107	2583	9964	7042	3008	9646	6809	3168	9010	6345	3392	8692	6113	3520	
	18	25	7527	5495	1567	11542	8279	2198	10638	7693	2613	10600	7661	3040	10176	7351	3168	9540	6887	3424	9116	6577	3552	
	19	27	7781	5680	1591	11943	8718	2226	11040	8059	2643	11024	8048	3072	10600	7738	3200	9964	7274	3424	9540	6964	3552	
	22	30	8627	5618	1591	13248	8645	2226	12244	7986	2643	12190	7970	3104	11766	7661	3232	10600	7428	3552	9858	7274	3744	
	24	32	9219	5618	1615	14151	8645	2254	13047	7986	2672	13038	7970	3104	12508	7661	3264	11024	7583	3648	10070	7506	3872	

		INDOOR		OUTDOOR TEMPERATURE (°CDB)																				
		EWB	EDB	-10			21			27			32			35			40			43		
		°C	°C	TC	SHC	PI	TC	SHC	PI	TC	SHC	PI	TC	SHC	PI	TC	SHC	PI	TC	SHC	PI	TC	SHC	PI
(1.5+1.8+2.5) + (1.5+2.5+2.5)	12	18	7020	4816	1520	9434	7619	2141	8731	7033	2524	8692	7042	2944	8374	6732	3072	7844	6345	3296	7526	6036	3424	
	14	20	7020	4816	1520	10137	7619	2141	9434	7107	2554	9328	7042	2976	9010	6809	3104	8374	6345	3328	8056	6113	3488	
	16	22	7020	5124	1543	10839	7619	2170	10036	7107	2583	9964	7042	3008	9646	6809	3168	9010	6345	3392	8692	6113	3520	
	18	25	7527	5495	1567	11542	8279	2198	10638	7693	2613	10600	7661	3040	10176	7351	3168	9540	6887	3424	9116	6577	3552	
	19	27	7781	5680	1591	11943	8718	2226	11040	8059	2643	11024	8048	3072	10600	7738	3200	9964	7274	3424	9540	6964	3552	
	22	30	8627	5618	1591	13248	8645	2226	12244	7986	2643	12190	7970	3104	11766	7661	3232	10600	7428	3552	9858	7274	3744	
	24	32	9219	5618	1615	14151	8645	2254	13047	7986	2672	13038	7970	3104	12508	7661	3264	11024	7583	3648	10070	7506	3872	
(1.5+1.8+2.5) + (1.5+2.5+3.5)	12	18	7020	4816	1520	9434	7619	2141	8731	7033	2524	8692	7042	2944	8374	6732	3072	7844	6345	3296	7526	6036	3424	
	14	20	7020	4816	1520	10137	7619	2141	9434	7107	2554	9328	7042	2976	9010	6809	3104	8374	6345	3328	8056	6113	3488	
	16	22	7020	5124	1543	10839	7619	2170	10036	7107	2583	9964	7042	3008	9646	6809	3168	9010	6345	3392	8692	6113	3520	
	18	25	7527	5495	1567	11542	8279	2198	10638	7693	2613	10600	7661	3040	10176	7351	3168	9540	6887	3424	9116	6577	3552	
	19	27	7781	5680	1591	11943	8718	2226	11040	8059	2643	11024	8048	3072	10600	7738	3200	9964	7274	3424	9540	6964	3552	
	22	30	8627	5618	1591	13248	8645	2226	12244	7986	2643	12190	7970	3104	11766	7661	3232	10600	7428	3552	9858	7274	3744	
	24	32	9219	5618	1615	14151	8645	2254	13047	7986	2672	13038	7970	3104	12508	7661	3264	11024	7583	3648	10070	7506	3872	
(1.5+1.8+2.5) + (1.5+3.5+3.5)	12	18	7020	4816	1520	9434	7619	2141	8731	7033	2524	8692	7042	2944	8374	6732	3072	7844	6345	3296	7526	6036	3424	
	14	20	7020	4816	1520	10137	7619	2141	9434	7107	2554	9328	7042	2976	9010	6809	3104	8374	6345	3328	8056	6113	3488	
	16	22	7020	5124	1543	10839	7619	2170	10036	7107	2583	9964	7042	3008	9646	6809	3168	9010	6345	3392	8692	6113	3520	
	18	25	7527	5495	1567	11542	8279	2198	10638	7693	2613	10600	7661	3040	10176	7351	3168	9540	6887	3424	9116	6577	3552	
	19	27	7781	5680	1591	11943	8718	2226	11040	8059	2643	11024	8048	3072	10600	7738	3200	9964	7274	3424	9540	6964	3552	
	22	30	8627	5618	1591	13248	8645	2226	12244	7986	2643	12190	7970	3104	11766	7661	3232	10600	7428	3552	9858	7274	3744	
	24	32	9219	5618	1615	14151	8645	2254	13047	7986	2672	13038	7970	3104	12508	7661	3264	11024	7583	3648	10070	7506	3872	
(1.5+1.8+2.5) + (1.8+1.8+1.8)	12	18	7020	4816	1520	9434	7619	2141	8731	7033	2524	8692	7042	2944	8374	6732	3072	7844	6345	3296	7526	6036	3424	
	14	20	7020	4816	1520	10137	7619	2141	9434	7107	2554	9328	7042	2976	9010	6809	3104	8374	6345	3328	8056	6113	3488	
	16	22	7020	5124	1543	10839	7619	2170	10036	7107	2583	9964	7042	3008	9646	6809	3168	9010	6345	3392	8692	6113	3520	
	18	25	7527	5495	1567	11542	8279	2198	10638	7693	2613	10600	7661	3040	10176	7351	3168	9540	6887	3424	9116	6577	3552	
	19	27	7781	5680	1591	11943	8718	2226	11040	8059	2643	11024	8048	3072	10600	7738	3200	9964	7274	3424	9540	6964	3552	
	22	30	8627	5618	1591	13248	8645	2226	12244	7986	2643	12190	7970	3104	11766	7661	3232	10600	7428	3552	9858	7274	3744	
	24	32	9219	5618	1615	14151	8645	2254	13047	7986	2672	13038	7970	3104	12508	7661	3264	11024	7583	3648	10070	7506	3872	
(1.5+1.8+2.5) + (1.8+1.8+2.5)	12	18	7020	4816	1520	9434	7619	2141	8731	7033	2524	8692	7042	2944	8374	6732	3072	7844	6345	3296	7526	6036	3424	
	14	20	7020	4816	1520	10137	7619	2141	9434	7107	2554	9328	7042	2976	9010	6809	3104	8374	6345	3328	8056	6113	3488	
	16	22	7020	5124	1543	10839	7619	2170	10036	7107	2583	9964	7042	3008	9646	6809	3168	9010	6345	3392	8692	6113	3520	
	18	25	7527	5495	1567	11542	8279	2198	10638	7693	2613	10600	7661	3040	10176	7351	3168	9540	6887	3424	9116	6577	3552	
	19	27	7781	5680	1591	11943	8718	2226	11040	8059	2643	11024	8048	3072	10600	7738	3200	9964	7274	3424	9540	6964	3552	
	22	30	8627	5618	1591	13248	8645	2226	12244	7986	2643	12190	7970	3104	11766	7661	3232	10600	7428	3552	9858	7274	3744	
	24	32	9219	5618	1615	14151	8645	2254	13047	7986	2672	13038	7970	3104	12508	7661	3264	11024	7583	3648	10070	7506	3872	
(1.5+1.8+2.5) + (1.8+1.8+3.5)	12	18	7020	4816	1520	9434	7619	2141	8731	7033	2524	8692	7042	2944	8374	6732	3072	7844	6345	3296	7526	6036	3424	
	14	20	7020	4816	1520	10137	7619	2141	9434	7107	2554	9328	7042	2976	9010	6809	3104	8374	6345	3328	8056	6113	3488	
	16	22	7020	5124	1543	10839	7619	2170	10036	7107	2583	9964	7042	3008	9646	6809	3168	9010	6345	3392	8692	6113	3520	
	18	25	7527	5495	1567	11542	8279	2198	10638	7693	2613	10600	7661	3040	10176	7351	3168	9540	6887	3424	9116	6577	3552	
	19	27	7781	5680	1591	11943	8718	2226	11040	8059	2643	11024	8048	3072	10600	7738	3200	9964	7274	3424	9540	6964	3552	
	22	30	8627	5618	1591	13248	8645	2226	12244	7986	2643	12190	7970	3104	11766	7661	3232	10600	7428	3552	9858	7274	3744	
	24	32	9219	5618	1615	14151	8645	2254	13047	7986	2672	13038	7970	3104	12508	7661	3264	11024	7583	3648	10070	7506	3872	

		INDOOR		OUTDOOR TEMPERATURE (°CDB)																				
		EWB	EDB	-10			21			27			32			35			40			43		
		°C	°C	TC	SHC	PI	TC	SHC	PI	TC	SHC	PI	TC	SHC	PI	TC	SHC	PI	TC	SHC	PI	TC	SHC	PI
(1.5+1.8+2.5) + (1.8+1.8+5.0)	12	18	7020	4816	1520	9434	7619	2141	8731	7033	2524	8692	7042	2944	8374	6732	3072	7844	6345	3296	7526	6036	3424	
	14	20	7020	4816	1520	10137	7619	2141	9434	7107	2554	9328	7042	2976	9010	6809	3104	8374	6345	3328	8056	6113	3488	
	16	22	7020	5124	1543	10839	7619	2170	10036	7107	2583	9964	7042	3008	9646	6809	3168	9010	6345	3392	8692	6113	3520	
	18	25	7527	5495	1567	11542	8279	2198	10638	7693	2613	10600	7661	3040	10176	7351	3168	9540	6887	3424	9116	6577	3552	
	19	27	7781	5680	1591	11943	8718	2226	11040	8059	2643	11024	8048	3072	10600	7738	3200	9964	7274	3424	9540	6964	3552	
	22	30	8627	5618	1591	13248	8645	2226	12244	7986	2643	12190	7970	3104	11766	7661	3232	10600	7428	3552	9858	7274	3744	
	24	32	9219	5618	1615	14151	8645	2254	13047	7986	2672	13038	7970	3104	12508	7661	3264	11024	7583	3648	10070	7506	3872	
(1.5+1.8+2.5) + (1.8+2.5+2.5)	12	18	7020	4816	1520	9434	7619	2141	8731	7033	2524	8692	7042	2944	8374	6732	3072	7844	6345	3296	7526	6036	3424	
	14	20	7020	4816	1520	10137	7619	2141	9434	7107	2554	9328	7042	2976	9010	6809	3104	8374	6345	3328	8056	6113	3488	
	16	22	7020	5124	1543	10839	7619	2170	10036	7107	2583	9964	7042	3008	9646	6809	3168	9010	6345	3392	8692	6113	3520	
	18	25	7527	5495	1567	11542	8279	2198	10638	7693	2613	10600	7661	3040	10176	7351	3168	9540	6887	3424	9116	6577	3552	
	19	27	7781	5680	1591	11943	8718	2226	11040	8059	2643	11024	8048	3072	10600	7738	3200	9964	7274	3424	9540	6964	3552	
	22	30	8627	5618	1591	13248	8645	2226	12244	7986	2643	12190	7970	3104	11766	7661	3232	10600	7428	3552	9858	7274	3744	
	24	32	9219	5618	1615	14151	8645	2254	13047	7986	2672	13038	7970	3104	12508	7661	3264	11024	7583	3648	10070	7506	3872	
(1.5+1.8+2.5) + (1.8+2.5+3.5)	12	18	7020	4816	1520	9434	7619	2141	8731	7033	2524	8692	7042	2944	8374	6732	3072	7844	6345	3296	7526	6036	3424	
	14	20	7020	4816	1520	10137	7619	2141	9434	7107	2554	9328	7042	2976	9010	6809	3104	8374	6345	3328	8056	6113	3488	
	16	22	7020	5124	1543	10839	7619	2170	10036	7107	2583	9964	7042	3008	9646	6809	3168	9010	6345	3392	8692	6113	3520	
	18	25	7527	5495	1567	11542	8279	2198	10638	7693	2613	10600	7661	3040	10176	7351	3168	9540	6887	3424	9116	6577	3552	
	19	27	7781	5680	1591	11943	8718	2226	11040	8059	2643	11024	8048	3072	10600	7738	3200	9964	7274	3424	9540	6964	3552	
	22	30	8627	5618	1591	13248	8645	2226	12244	7986	2643	12190	7970	3104	11766	7661	3232	10600	7428	3552	9858	7274	3744	
	24	32	9219	5618	1615	14151	8645	2254	13047	7986	2672	13038	7970	3104	12508	7661	3264	11024	7583	3648	10070	7506	3872	
(1.5+1.8+2.5) + (2.5+2.5+2.5)	12	18	7020	4816	1520	9434	7619	2141	8731	7033	2524	8692	7042	2944	8374	6732	3072	7844	6345	3296	7526	6036	3424	
	14	20	7020	4816	1520	10137	7619	2141	9434	7107	2554	9328	7042	2976	9010	6809	3104	8374	6345	3328	8056	6113	3488	
	16	22	7020	5124	1543	10839	7619	2170	10036	7107	2583	9964	7042	3008	9646	6809	3168	9010	6345	3392	8692	6113	3520	
	18	25	7527	5495	1567	11542	8279	2198	10638	7693	2613	10600	7661	3040	10176	7351	3168	9540	6887	3424	9116	6577	3552	
	19	27	7781	5680	1591	11943	8718	2226	11040	8059	2643	11024	8048	3072	10600	7738	3200	9964	7274	3424	9540	6964	3552	
	22	30	8627	5618	1591	13248	8645	2226	12244	7986	2643	12190	7970	3104	11766	7661	3232	10600	7428	3552	9858	7274	3744	
	24	32	9219	5618	1615	14151	8645	2254	13047	7986	2672	13038	7970	3104	12508	7661	3264	11024	7583	3648	10070	7506	3872	
(1.5+1.8+2.5) + (2.5+2.5+3.5)	12	18	7020	4816	1520	9434	7619	2141	8731	7033	2524	8692	7042	2944	8374	6732	3072	7844	6345	3296	7526	6036	3424	
	14	20	7020	4816	1520	10137	7619	2141	9434	7107	2554	9328	7042	2976	9010	6809	3104	8374	6345	3328	8056	6113	3488	
	16	22	7020	5124	1543	10839	7619	2170	10036	7107	2583	9964	7042	3008	9646	6809	3168	9010	6345	3392	8692	6113	3520	
	18	25	7527	5495	1567	11542	8279	2198	10638	7693	2613	10600	7661	3040	10176	7351	3168	9540	6887	3424	9116	6577	3552	
	19	27	7781	5680	1591	11943	8718	2226	11040	8059	2643	11024	8048	3072	10600	7738	3200	9964	7274	3424	9540	6964	3552	
	22	30	8627	5618	1591	13248	8645	2226	12244	7986	2643	12190	7970	3104	11766	7661	3232	10600	7428	3552	9858	7274	3744	
	24	32	9219	5618	1615	14151	8645	2254	13047	7986	2672	13038	7970	3104	12508	7661	3264	11024	7583	3648	10070	7506	3872	

		INDOOR		OUTDOOR TEMPERATURE (°CDB)																				
		EWB	EDB	-10			21			27			32			35			40			43		
		°C	°C	TC	SHC	PI	TC	SHC	PI	TC	SHC	PI	TC	SHC	PI	TC	SHC	PI	TC	SHC	PI	TC	SHC	PI
(1.5+1.8+3.5) + (1.5+1.5+1.5)	12	18	6490	4452	1410	8722	7044	1988	8072	6503	2342	8036	6510	2732	7742	6224	2851	7252	5866	3059	6958	5580	3178	
	14	20	6490	4452	1410	9372	7044	1988	8722	6570	2370	8624	6510	2762	8330	6296	2881	7742	5866	3089	7448	5652	3237	
	16	22	6490	4738	1432	10021	7044	2014	9279	6570	2398	9212	6510	2792	8918	6296	2940	8330	5866	3148	8036	5652	3267	
	18	25	6959	5080	1455	10671	7654	2040	9835	7112	2425	9800	7082	2822	9408	6796	2940	8820	6367	3178	8428	6081	3297	
	19	27	7194	5251	1477	11042	8060	2066	10207	7451	2453	10192	7440	2851	9800	7154	2970	9212	6725	3178	8820	6439	3297	
	22	30	7976	5194	1477	12248	7993	2066	11320	7383	2453	11270	7369	2881	10878	7082	3000	9800	6868	3297	9114	6725	3475	
	24	32	8523	5194	1499	13083	7993	2092	12062	7383	2480	12054	7369	2881	11564	7082	3029	10192	7011	3386	9310	6939	3594	
(1.5+1.8+3.5) + (1.5+1.5+1.8)	12	18	6689	4589	1458	8989	7260	2054	8320	6702	2421	8282	6709	2824	7979	6415	2947	7474	6046	3162	7171	5751	3285	
	14	20	6689	4589	1458	9658	7260	2054	8989	6771	2450	8888	6709	2855	8585	6488	2978	7979	6046	3193	7676	5825	3346	
	16	22	6689	4883	1481	10328	7260	2081	9563	6771	2478	9494	6709	2886	9191	6488	3039	8585	6046	3254	8282	5825	3377	
	18	25	7172	5236	1503	10997	7888	2109	10137	7330	2507	10100	7299	2917	9696	7004	3039	9090	6562	3285	8686	6267	3408	
	19	27	7414	5412	1526	11380	8307	2136	10519	7679	2535	10504	7668	2947	10100	7373	3070	9494	6931	3285	9090	6636	3408	
	22	30	8220	5353	1526	12623	8237	2136	11667	7609	2535	11615	7594	2978	11211	7299	3101	10100	7078	3408	9393	6931	3592	
	24	32	8784	5353	1549	13484	8237	2163	12432	7609	2564	12423	7594	2978	11918	7299	3131	10504	7226	3500	9595	7152	3715	
(1.5+1.8+3.5) + (1.5+1.5+2.5)	12	18	7020	4816	1520	9434	7619	2141	8731	7033	2524	8692	7042	2944	8374	6732	3072	7844	6345	3296	7526	6036	3424	
	14	20	7020	4816	1520	10137	7619	2141	9434	7107	2554	9328	7042	2976	9010	6809	3104	8374	6345	3328	8056	6113	3488	
	16	22	7020	5124	1543	10839	7619	2170	10036	7107	2583	9964	7042	3008	9646	6809	3168	9010	6345	3392	8692	6113	3520	
	18	25	7527	5495	1567	11542	8279	2198	10638	7693	2613	10600	7661	3040	10176	7351	3168	9540	6887	3424	9116	6577	3552	
	19	27	7781	5680	1591	11943	8718	2226	11040	8059	2643	11024	8048	3072	10600	7738	3200	9964	7274	3424	9540	6964	3552	
	22	30	8627	5618	1591	13248	8645	2226	12244	7986	2643	12190	7970	3104	11766	7661	3232	10600	7428	3552	9858	7274	3744	
	24	32	9219	5618	1615	14151	8645	2254	13047	7986	2672	13038	7970	3104	12508	7661	3264	11024	7583	3648	10070	7506	3872	
(1.5+1.8+3.5) + (1.5+1.5+3.5)	12	18	7020	4816	1520	9434	7619	2141	8731	7033	2524	8692	7042	2944	8374	6732	3072	7844	6345	3296	7526	6036	3424	
	14	20	7020	4816	1520	10137	7619	2141	9434	7107	2554	9328	7042	2976	9010	6809	3104	8374	6345	3328	8056	6113	3488	
	16	22	7020	5124	1543	10839	7619	2170	10036	7107	2583	9964	7042	3008	9646	6809	3168	9010	6345	3392	8692	6113	3520	
	18	25	7527	5495	1567	11542	8279	2198	10638	7693	2613	10600	7661	3040	10176	7351	3168	9540	6887	3424	9116	6577	3552	
	19	27	7781	5680	1591	11943	8718	2226	11040	8059	2643	11024	8048	3072	10600	7738	3200	9964	7274	3424	9540	6964	3552	
	22	30	8627	5618	1591	13248	8645	2226	12244	7986	2643	12190	7970	3104	11766	7661	3232	10600	7428	3552	9858	7274	3744	
	24	32	9219	5618	1615	14151	8645	2254	13047	7986	2672	13038	7970	3104	12508	7661	3264	11024	7583	3648	10070	7506	3872	
(1.5+1.8+3.5) + (1.5+1.5+5.0)	12	18	7020	4816	1520	9434	7619	2141	8731	7033	2524	8692	7042	2944	8374	6732	3072	7844	6345	3296	7526	6036	3424	
	14	20	7020	4816	1520	10137	7619	2141	9434	7107	2554	9328	7042	2976	9010	6809	3104	8374	6345	3328	8056	6113	3488	
	16	22	7020	5124	1543	10839	7619	2170	10036	7107	2583	9964	7042	3008	9646	6809	3168	9010	6345	3392	8692	6113	3520	
	18	25	7527	5495	1567	11542	8279	2198	10638	7693	2613	10600	7661	3040	10176	7351	3168	9540	6887	3424	9116	6577	3552	
	19	27	7781	5680	1591	11943	8718	2226	11040	8059	2643	11024	8048	3072	10600	7738	3200	9964	7274	3424	9540	6964	3552	
	22	30	8627	5618	1591	13248	8645	2226	12244	7986	2643	12190	7970	3104	11766	7661	3232	10600	7428	3552	9858	7274	3744	
	24	32	9219	5618	1615	14151	8645	2254	13047	7986	2672	13038	7970	3104	12508	7661	3264	11024	7583	3648	10070	7506	3872	
(1.5+1.8+3.5) + (1.5+1.8+1.8)	12	18	6887	4725	1496	9256	7476	2108	8567	6901	2484	8528	6909	2898	8216	6605	3024	7696	6225	3245	7384	5922	3371	
	14	20	6887	4725	1496	9945	7476	2108	9256	6973	2514	9152	6909	2930	8840	6681	3056	8216	6225	3276	7904	5998	3434	
	16	22	6887	5028	1519	10635	7476	2136	9847	6973	2543	9776	6909	2961	9464	6681	3119	8840	6225	3339	8528	5998	3465	
	18	25	7385	5391	1543	11324	8123	2163	10438	7548	2572	10400	7516	2993	9984	7212	3119	9360	6757	3371	8944	6453	3497	
	19	27	7634	5573	1566	11718	8554	2191	10831	7907	2601	10816	7896	3024	10400	7592	3150	9776	7136	3371	9360	6833	3497	
	22	30	8464	5512	1566	12998	8482	2191	12013	7835	2601	11960	7820	3056	11544	7516	3182	10400	7288	3497	9672	7136	3686	
	24	32	9045	5512	1589	13884	8482	2219	12801	7835	2631	12792	7820	3056	12272	7516	3213	10816	7440	3591	9880	7364	3812	

		INDOOR		OUTDOOR TEMPERATURE (°CDB)																				
		EWB	EDB	-10			21			27			32			35			40			43		
		°C	°C	TC	SHC	PI	TC	SHC	PI	TC	SHC	PI	TC	SHC	PI	TC	SHC	PI	TC	SHC	PI	TC	SHC	PI
(1.5+1.8+3.5) + (1.5+1.8+2.5)	12	18	7020	4816	1520	9434	7619	2141	8731	7033	2524	8692	7042	2944	8374	6732	3072	7844	6345	3296	7526	6036	3424	
	14	20	7020	4816	1520	10137	7619	2141	9434	7107	2554	9328	7042	2976	9010	6809	3104	8374	6345	3328	8056	6113	3488	
	16	22	7020	5124	1543	10839	7619	2170	10036	7107	2583	9964	7042	3008	9646	6809	3168	9010	6345	3392	8692	6113	3520	
	18	25	7527	5495	1567	11542	8279	2198	10638	7693	2613	10600	7661	3040	10176	7351	3168	9540	6887	3424	9116	6577	3552	
	19	27	7781	5680	1591	11943	8718	2226	11040	8059	2643	11024	8048	3072	10600	7738	3200	9964	7274	3424	9540	6964	3552	
	22	30	8627	5618	1591	13248	8645	2226	12244	7986	2643	12190	7970	3104	11766	7661	3232	10600	7428	3552	9858	7274	3744	
	24	32	9219	5618	1615	14151	8645	2254	13047	7986	2672	13038	7970	3104	12508	7661	3264	11024	7583	3648	10070	7506	3872	
(1.5+1.8+3.5) + (1.5+1.8+3.5)	12	18	7020	4816	1520	9434	7619	2141	8731	7033	2524	8692	7042	2944	8374	6732	3072	7844	6345	3296	7526	6036	3424	
	14	20	7020	4816	1520	10137	7619	2141	9434	7107	2554	9328	7042	2976	9010	6809	3104	8374	6345	3328	8056	6113	3488	
	16	22	7020	5124	1543	10839	7619	2170	10036	7107	2583	9964	7042	3008	9646	6809	3168	9010	6345	3392	8692	6113	3520	
	18	25	7527	5495	1567	11542	8279	2198	10638	7693	2613	10600	7661	3040	10176	7351	3168	9540	6887	3424	9116	6577	3552	
	19	27	7781	5680	1591	11943	8718	2226	11040	8059	2643	11024	8048	3072	10600	7738	3200	9964	7274	3424	9540	6964	3552	
	22	30	8627	5618	1591	13248	8645	2226	12244	7986	2643	12190	7970	3104	11766	7661	3232	10600	7428	3552	9858	7274	3744	
	24	32	9219	5618	1615	14151	8645	2254	13047	7986	2672	13038	7970	3104	12508	7661	3264	11024	7583	3648	10070	7506	3872	
(1.5+1.8+3.5) + (1.5+1.8+5.0)	12	18	7020	4816	1520	9434	7619	2141	8731	7033	2524	8692	7042	2944	8374	6732	3072	7844	6345	3296	7526	6036	3424	
	14	20	7020	4816	1520	10137	7619	2141	9434	7107	2554	9328	7042	2976	9010	6809	3104	8374	6345	3328	8056	6113	3488	
	16	22	7020	5124	1543	10839	7619	2170	10036	7107	2583	9964	7042	3008	9646	6809	3168	9010	6345	3392	8692	6113	3520	
	18	25	7527	5495	1567	11542	8279	2198	10638	7693	2613	10600	7661	3040	10176	7351	3168	9540	6887	3424	9116	6577	3552	
	19	27	7781	5680	1591	11943	8718	2226	11040	8059	2643	11024	8048	3072	10600	7738	3200	9964	7274	3424	9540	6964	3552	
	22	30	8627	5618	1591	13248	8645	2226	12244	7986	2643	12190	7970	3104	11766	7661	3232	10600	7428	3552	9858	7274	3744	
	24	32	9219	5618	1615	14151	8645	2254	13047	7986	2672	13038	7970	3104	12508	7661	3264	11024	7583	3648	10070	7506	3872	
(1.5+1.8+3.5) + (1.5+2.5+2.5)	12	18	7020	4816	1520	9434	7619	2141	8731	7033	2524	8692	7042	2944	8374	6732	3072	7844	6345	3296	7526	6036	3424	
	14	20	7020	4816	1520	10137	7619	2141	9434	7107	2554	9328	7042	2976	9010	6809	3104	8374	6345	3328	8056	6113	3488	
	16	22	7020	5124	1543	10839	7619	2170	10036	7107	2583	9964	7042	3008	9646	6809	3168	9010	6345	3392	8692	6113	3520	
	18	25	7527	5495	1567	11542	8279	2198	10638	7693	2613	10600	7661	3040	10176	7351	3168	9540	6887	3424	9116	6577	3552	
	19	27	7781	5680	1591	11943	8718	2226	11040	8059	2643	11024	8048	3072	10600	7738	3200	9964	7274	3424	9540	6964	3552	
	22	30	8627	5618	1591	13248	8645	2226	12244	7986	2643	12190	7970	3104	11766	7661	3232	10600	7428	3552	9858	7274	3744	
	24	32	9219	5618	1615	14151	8645	2254	13047	7986	2672	13038	7970	3104	12508	7661	3264	11024	7583	3648	10070	7506	3872	
(1.5+1.8+3.5) + (1.5+2.5+3.5)	12	18	7020	4816	1520	9434	7619	2141	8731	7033	2524	8692	7042	2944	8374	6732	3072	7844	6345	3296	7526	6036	3424	
	14	20	7020	4816	1520	10137	7619	2141	9434	7107	2554	9328	7042	2976	9010	6809	3104	8374	6345	3328	8056	6113	3488	
	16	22	7020	5124	1543	10839	7619	2170	10036	7107	2583	9964	7042	3008	9646	6809	3168	9010	6345	3392	8692	6113	3520	
	18	25	7527	5495	1567	11542	8279	2198	10638	7693	2613	10600	7661	3040	10176	7351	3168	9540	6887	3424	9116	6577	3552	
	19	27	7781	5680	1591	11943	8718	2226	11040	8059	2643	11024	8048	3072	10600	7738	3200	9964	7274	3424	9540	6964	3552	
	22	30	8627	5618	1591	13248	8645	2226	12244	7986	2643	12190	7970	3104	11766	7661	3232	10600	7428	3552	9858	7274	3744	
	24	32	9219	5618	1615	14151	8645	2254	13047	7986	2672	13038	7970	3104	12508	7661	3264	11024	7583	3648	10070	7506	3872	
(1.5+1.8+3.5) + (1.5+3.5+3.5)	12	18	7020	4816	1520	9434	7619	2141	8731	7033	2524	8692	7042	2944	8374	6732	3072	7844	6345	3296	7526	6036	3424	
	14	20	7020	4816	1520	10137	7619	2141	9434	7107	2554	9328	7042	2976	9010	6809	3104	8374	6345	3328	8056	6113	3488	
	16	22	7020	5124	1543	10839	7619	2170	10036	7107	2583	9964	7042	3008	9646	6809	3168	9010	6345	3392	8692	6113	3520	
	18	25	7527	5495	1567	11542	8279	2198	10638	7693	2613	10600	7661	3040	10176	7351	3168	9540	6887	3424	9116	6577	3552	
	19	27	7781	5680	1591	11943	8718	2226	11040	8059	2643	11024	8048	3072	10600	7738	3200	9964	7274	3424	9540	6964	3552	
	22	30	8627	5618	1591	13248	8645	2226	12244	7986	2643	12190	7970	3104	11766	7661	3232	10600	7428	3552	9858	7274	3744	
	24	32	9219	5618	1615	14151	8645	2254	13047	7986	2672	13038	7970	3104	12508	7661	3264	11024	7583	3648	10070	7506	3872	



		INDOOR		OUTDOOR TEMPERATURE (°CDB)																				
		EWB	EDB	-10			21			27			32			35			40			43		
		°C	°C	TC	SHC	PI	TC	SHC	PI	TC	SHC	PI	TC	SHC	PI	TC	SHC	PI	TC	SHC	PI	TC	SHC	PI
(1.5+1.8+3.5) + (1.8+1.8+1.8)	12	18	7020	4816	1520	9434	7619	2141	8731	7033	2524	8692	7042	2944	8374	6732	3072	7844	6345	3296	7526	6036	3424	
	14	20	7020	4816	1520	10137	7619	2141	9434	7107	2554	9328	7042	2976	9010	6809	3104	8374	6345	3328	8056	6113	3488	
	16	22	7020	5124	1543	10839	7619	2170	10036	7107	2583	9964	7042	3008	9646	6809	3168	9010	6345	3392	8692	6113	3520	
	18	25	7527	5495	1567	11542	8279	2198	10638	7693	2613	10600	7661	3040	10176	7351	3168	9540	6887	3424	9116	6577	3552	
	19	27	7781	5680	1591	11943	8718	2226	11040	8059	2643	11024	8048	3072	10600	7738	3200	9964	7274	3424	9540	6964	3552	
	22	30	8627	5618	1591	13248	8645	2226	12244	7986	2643	12190	7970	3104	11766	7661	3232	10600	7428	3552	9858	7274	3744	
	24	32	9219	5618	1615	14151	8645	2254	13047	7986	2672	13038	7970	3104	12508	7661	3264	11024	7583	3648	10070	7506	3872	
(1.5+1.8+3.5) + (1.8+1.8+2.5)	12	18	7020	4816	1520	9434	7619	2141	8731	7033	2524	8692	7042	2944	8374	6732	3072	7844	6345	3296	7526	6036	3424	
	14	20	7020	4816	1520	10137	7619	2141	9434	7107	2554	9328	7042	2976	9010	6809	3104	8374	6345	3328	8056	6113	3488	
	16	22	7020	5124	1543	10839	7619	2170	10036	7107	2583	9964	7042	3008	9646	6809	3168	9010	6345	3392	8692	6113	3520	
	18	25	7527	5495	1567	11542	8279	2198	10638	7693	2613	10600	7661	3040	10176	7351	3168	9540	6887	3424	9116	6577	3552	
	19	27	7781	5680	1591	11943	8718	2226	11040	8059	2643	11024	8048	3072	10600	7738	3200	9964	7274	3424	9540	6964	3552	
	22	30	8627	5618	1591	13248	8645	2226	12244	7986	2643	12190	7970	3104	11766	7661	3232	10600	7428	3552	9858	7274	3744	
	24	32	9219	5618	1615	14151	8645	2254	13047	7986	2672	13038	7970	3104	12508	7661	3264	11024	7583	3648	10070	7506	3872	
(1.5+1.8+3.5) + (1.8+1.8+3.5)	12	18	7020	4816	1520	9434	7619	2141	8731	7033	2524	8692	7042	2944	8374	6732	3072	7844	6345	3296	7526	6036	3424	
	14	20	7020	4816	1520	10137	7619	2141	9434	7107	2554	9328	7042	2976	9010	6809	3104	8374	6345	3328	8056	6113	3488	
	16	22	7020	5124	1543	10839	7619	2170	10036	7107	2583	9964	7042	3008	9646	6809	3168	9010	6345	3392	8692	6113	3520	
	18	25	7527	5495	1567	11542	8279	2198	10638	7693	2613	10600	7661	3040	10176	7351	3168	9540	6887	3424	9116	6577	3552	
	19	27	7781	5680	1591	11943	8718	2226	11040	8059	2643	11024	8048	3072	10600	7738	3200	9964	7274	3424	9540	6964	3552	
	22	30	8627	5618	1591	13248	8645	2226	12244	7986	2643	12190	7970	3104	11766	7661	3232	10600	7428	3552	9858	7274	3744	
	24	32	9219	5618	1615	14151	8645	2254	13047	7986	2672	13038	7970	3104	12508	7661	3264	11024	7583	3648	10070	7506	3872	
(1.5+1.8+3.5) + (1.8+1.8+5.0)	12	18	7020	4816	1520	9434	7619	2141	8731	7033	2524	8692	7042	2944	8374	6732	3072	7844	6345	3296	7526	6036	3424	
	14	20	7020	4816	1520	10137	7619	2141	9434	7107	2554	9328	7042	2976	9010	6809	3104	8374	6345	3328	8056	6113	3488	
	16	22	7020	5124	1543	10839	7619	2170	10036	7107	2583	9964	7042	3008	9646	6809	3168	9010	6345	3392	8692	6113	3520	
	18	25	7527	5495	1567	11542	8279	2198	10638	7693	2613	10600	7661	3040	10176	7351	3168	9540	6887	3424	9116	6577	3552	
	19	27	7781	5680	1591	11943	8718	2226	11040	8059	2643	11024	8048	3072	10600	7738	3200	9964	7274	3424	9540	6964	3552	
	22	30	8627	5618	1591	13248	8645	2226	12244	7986	2643	12190	7970	3104	11766	7661	3232	10600	7428	3552	9858	7274	3744	
	24	32	9219	5618	1615	14151	8645	2254	13047	7986	2672	13038	7970	3104	12508	7661	3264	11024	7583	3648	10070	7506	3872	
(1.5+1.8+3.5) + (1.8+2.5+2.5)	12	18	7020	4816	1520	9434	7619	2141	8731	7033	2524	8692	7042	2944	8374	6732	3072	7844	6345	3296	7526	6036	3424	
	14	20	7020	4816	1520	10137	7619	2141	9434	7107	2554	9328	7042	2976	9010	6809	3104	8374	6345	3328	8056	6113	3488	
	16	22	7020	5124	1543	10839	7619	2170	10036	7107	2583	9964	7042	3008	9646	6809	3168	9010	6345	3392	8692	6113	3520	
	18	25	7527	5495	1567	11542	8279	2198	10638	7693	2613	10600	7661	3040	10176	7351	3168	9540	6887	3424	9116	6577	3552	
	19	27	7781	5680	1591	11943	8718	2226	11040	8059	2643	11024	8048	3072	10600	7738	3200	9964	7274	3424	9540	6964	3552	
	22	30	8627	5618	1591	13248	8645	2226	12244	7986	2643	12190	7970	3104	11766	7661	3232	10600	7428	3552	9858	7274	3744	
	24	32	9219	5618	1615	14151	8645	2254	13047	7986	2672	13038	7970	3104	12508	7661	3264	11024	7583	3648	10070	7506	3872	
(1.5+1.8+3.5) + (1.8+2.5+3.5)	12	18	7020	4816	1520	9434	7619	2141	8731	7033	2524	8692	7042	2944	8374	6732	3072	7844	6345	3296	7526	6036	3424	
	14	20	7020	4816	1520	10137	7619	2141	9434	7107	2554	9328	7042	2976	9010	6809	3104	8374	6345	3328	8056	6113	3488	
	16	22	7020	5124	1543	10839	7619	2170	10036	7107	2583	9964	7042	3008	9646	6809	3168	9010	6345	3392	8692	6113	3520	
	18	25	7527	5495	1567	11542	8279	2198	10638	7693	2613	10600	7661	3040	10176	7351	3168	9540	6887	3424	9116	6577	3552	
	19	27	7781	5680	1591	11943	8718	2226	11040	8059	2643	11024	8048	3072	10600	7738	3200	9964	7274	3424	9540	6964	3552	
	22	30	8627	5618	1591	13248	8645	2226	12244	7986	2643	12190	7970	3104	11766	7661	3232	10600	7428	3552	9858	7274	3744	
	24	32	9219	5618	1615	14151	8645	2254	13047	7986	2672	13038	7970	3104	12508	7661	3264	11024	7583	3648	10070	7506	3872	

		INDOOR		OUTDOOR TEMPERATURE (°CDB)																				
		EWB	EDB	-10			21			27			32			35			40			43		
		°C	°C	TC	SHC	PI	TC	SHC	PI	TC	SHC	PI	TC	SHC	PI	TC	SHC	PI	TC	SHC	PI	TC	SHC	PI
(1.5+1.8+3.5) + (1.8+3.5+3.5)	12	18	7020	4816	1520	9434	7619	2141	8731	7033	2524	8692	7042	2944	8374	6732	3072	7844	6345	3296	7526	6036	3424	
	14	20	7020	4816	1520	10137	7619	2141	9434	7107	2554	9328	7042	2976	9010	6809	3104	8374	6345	3328	8056	6113	3488	
	16	22	7020	5124	1543	10839	7619	2170	10036	7107	2583	9964	7042	3008	9646	6809	3168	9010	6345	3392	8692	6113	3520	
	18	25	7527	5495	1567	11542	8279	2198	10638	7693	2613	10600	7661	3040	10176	7351	3168	9540	6887	3424	9116	6577	3552	
	19	27	7781	5680	1591	11943	8718	2226	11040	8059	2643	11024	8048	3072	10600	7738	3200	9964	7274	3424	9540	6964	3552	
	22	30	8627	5618	1591	13248	8645	2226	12244	7986	2643	12190	7970	3104	11766	7661	3232	10600	7428	3552	9858	7274	3744	
	24	32	9219	5618	1615	14151	8645	2254	13047	7986	2672	13038	7970	3104	12508	7661	3264	11024	7583	3648	10070	7506	3872	
(1.5+1.8+3.5) + (2.5+2.5+2.5)	12	18	7020	4816	1520	9434	7619	2141	8731	7033	2524	8692	7042	2944	8374	6732	3072	7844	6345	3296	7526	6036	3424	
	14	20	7020	4816	1520	10137	7619	2141	9434	7107	2554	9328	7042	2976	9010	6809	3104	8374	6345	3328	8056	6113	3488	
	16	22	7020	5124	1543	10839	7619	2170	10036	7107	2583	9964	7042	3008	9646	6809	3168	9010	6345	3392	8692	6113	3520	
	18	25	7527	5495	1567	11542	8279	2198	10638	7693	2613	10600	7661	3040	10176	7351	3168	9540	6887	3424	9116	6577	3552	
	19	27	7781	5680	1591	11943	8718	2226	11040	8059	2643	11024	8048	3072	10600	7738	3200	9964	7274	3424	9540	6964	3552	
	22	30	8627	5618	1591	13248	8645	2226	12244	7986	2643	12190	7970	3104	11766	7661	3232	10600	7428	3552	9858	7274	3744	
	24	32	9219	5618	1615	14151	8645	2254	13047	7986	2672	13038	7970	3104	12508	7661	3264	11024	7583	3648	10070	7506	3872	
(1.5+1.8+3.5) + (2.5+2.5+3.5)	12	18	7020	4816	1520	9434	7619	2141	8731	7033	2524	8692	7042	2944	8374	6732	3072	7844	6345	3296	7526	6036	3424	
	14	20	7020	4816	1520	10137	7619	2141	9434	7107	2554	9328	7042	2976	9010	6809	3104	8374	6345	3328	8056	6113	3488	
	16	22	7020	5124	1543	10839	7619	2170	10036	7107	2583	9964	7042	3008	9646	6809	3168	9010	6345	3392	8692	6113	3520	
	18	25	7527	5495	1567	11542	8279	2198	10638	7693	2613	10600	7661	3040	10176	7351	3168	9540	6887	3424	9116	6577	3552	
	19	27	7781	5680	1591	11943	8718	2226	11040	8059	2643	11024	8048	3072	10600	7738	3200	9964	7274	3424	9540	6964	3552	
	22	30	8627	5618	1591	13248	8645	2226	12244	7986	2643	12190	7970	3104	11766	7661	3232	10600	7428	3552	9858	7274	3744	
	24	32	9219	5618	1615	14151	8645	2254	13047	7986	2672	13038	7970	3104	12508	7661	3264	11024	7583	3648	10070	7506	3872	
(1.5+1.8+5.0) + (1.5+1.5+1.5)	12	18	6490	4452	1410	8722	7044	1988	8072	6503	2342	8036	6510	2732	7742	6224	2851	7252	5866	3059	6958	5580	3178	
	14	20	6490	4452	1410	9372	7044	1988	8722	6570	2370	8624	6510	2762	8330	6296	2881	7742	5866	3089	7448	5652	3237	
	16	22	6490	4738	1432	10021	7044	2014	9279	6570	2398	9212	6510	2792	8918	6296	2940	8330	5866	3148	8036	5652	3267	
	18	25	6959	5080	1455	10671	7654	2040	9835	7112	2425	9800	7082	2822	9408	6796	2940	8820	6367	3178	8428	6081	3297	
	19	27	7194	5251	1477	11042	8060	2066	10207	7451	2453	10192	7440	2851	9800	7154	2970	9212	6725	3178	8820	6439	3297	
	22	30	7976	5194	1477	12248	7993	2066	11320	7383	2453	11270	7369	2881	10878	7082	3000	9800	6868	3297	9114	6725	3475	
	24	32	8523	5194	1499	13083	7993	2092	12062	7383	2480	12054	7369	2881	11564	7082	3029	10192	7011	3386	9310	6939	3594	
(1.5+1.8+5.0) + (1.5+1.5+1.8)	12	18	6689	4589	1458	8989	7260	2054	8320	6702	2421	8282	6709	2824	7979	6415	2947	7474	6046	3162	7171	5751	3285	
	14	20	6689	4589	1458	9658	7260	2054	8989	6771	2450	8888	6709	2855	8585	6488	2978	7979	6046	3193	7676	5825	3346	
	16	22	6689	4883	1481	10328	7260	2081	9563	6771	2478	9494	6709	2886	9191	6488	3039	8585	6046	3254	8282	5825	3377	
	18	25	7172	5236	1503	10997	7888	2109	10137	7330	2507	10100	7299	2917	9696	7004	3039	9090	6562	3285	8686	6267	3408	
	19	27	7414	5412	1526	11380	8307	2136	10519	7679	2535	10504	7668	2947	10100	7373	3070	9494	6931	3285	9090	6636	3408	
	22	30	8220	5353	1526	12623	8237	2136	11667	7609	2535	11615	7594	2978	11211	7299	3101	10100	7078	3408	9393	6931	3592	
	24	32	8784	5353	1549	13484	8237	2163	12432	7609	2564	12423	7594	2978	11918	7299	3131	10504	7226	3500	9595	7152	3715	
(1.5+1.8+5.0) + (1.5+1.5+2.5)	12	18	7020	4816	1520	9434	7619	2141	8731	7033	2524	8692	7042	2944	8374	6732	3072	7844	6345	3296	7526	6036	3424	
	14	20	7020	4816	1520	10137	7619	2141	9434	7107	2554	9328	7042	2976	9010	6809	3104	8374	6345	3328	8056	6113	3488	
	16	22	7020	5124	1543	10839	7619	2170	10036	7107	2583	9964	7042	3008	9646	6809	3168	9010	6345	3392	8692	6113	3520	
	18	25	7527	5495	1567	11542	8279	2198	10638	7693	2613	10600	7661	3040	10176	7351	3168	9540	6887	3424	9116	6577	3552	
	19	27	7781	5680	1591	11943	8718	2226	11040	8059	2643	11024	8048	3072	10600	7738	3200	9964	7274	3424	9540	6964	3552	
	22	30	8627	5618	1591	13248	8645	2226	12244	7986	2643	12190	7970	3104	11766	7661	3232	10600	7428	3552	9858	7274	3744	
	24	32	9219	5618	1615	14151	8645	2254	13047	7986	2672	13038	7970	3104	12508	7661	3264	11024	7583	3648	10070	7506	3872	

		INDOOR		OUTDOOR TEMPERATURE (°CDB)																				
		EWB	EDB	-10			21			27			32			35			40			43		
		°C	°C	TC	SHC	PI	TC	SHC	PI	TC	SHC	PI	TC	SHC	PI	TC	SHC	PI	TC	SHC	PI	TC	SHC	PI
(1.5+1.8+5.0) + (1.5+1.5+3.5)	12	18	7020	4816	1520	9434	7619	2141	8731	7033	2524	8692	7042	2944	8374	6732	3072	7844	6345	3296	7526	6036	3424	
	14	20	7020	4816	1520	10137	7619	2141	9434	7107	2554	9328	7042	2976	9010	6809	3104	8374	6345	3328	8056	6113	3488	
	16	22	7020	5124	1543	10839	7619	2170	10036	7107	2583	9964	7042	3008	9646	6809	3168	9010	6345	3392	8692	6113	3520	
	18	25	7527	5495	1567	11542	8279	2198	10638	7693	2613	10600	7661	3040	10176	7351	3168	9540	6887	3424	9116	6577	3552	
	19	27	7781	5680	1591	11943	8718	2226	11040	8059	2643	11024	8048	3072	10600	7738	3200	9964	7274	3424	9540	6964	3552	
	22	30	8627	5618	1591	13248	8645	2226	12244	7986	2643	12190	7970	3104	11766	7661	3232	10600	7428	3552	9858	7274	3744	
	24	32	9219	5618	1615	14151	8645	2254	13047	7986	2672	13038	7970	3104	12508	7661	3264	11024	7583	3648	10070	7506	3872	
(1.5+1.8+5.0) + (1.5+1.5+5.0)	12	18	7020	4816	1520	9434	7619	2141	8731	7033	2524	8692	7042	2944	8374	6732	3072	7844	6345	3296	7526	6036	3424	
	14	20	7020	4816	1520	10137	7619	2141	9434	7107	2554	9328	7042	2976	9010	6809	3104	8374	6345	3328	8056	6113	3488	
	16	22	7020	5124	1543	10839	7619	2170	10036	7107	2583	9964	7042	3008	9646	6809	3168	9010	6345	3392	8692	6113	3520	
	18	25	7527	5495	1567	11542	8279	2198	10638	7693	2613	10600	7661	3040	10176	7351	3168	9540	6887	3424	9116	6577	3552	
	19	27	7781	5680	1591	11943	8718	2226	11040	8059	2643	11024	8048	3072	10600	7738	3200	9964	7274	3424	9540	6964	3552	
	22	30	8627	5618	1591	13248	8645	2226	12244	7986	2643	12190	7970	3104	11766	7661	3232	10600	7428	3552	9858	7274	3744	
	24	32	9219	5618	1615	14151	8645	2254	13047	7986	2672	13038	7970	3104	12508	7661	3264	11024	7583	3648	10070	7506	3872	
(1.5+1.8+5.0) + (1.5+1.8+1.8)	12	18	6887	4725	1496	9256	7476	2108	8567	6901	2484	8528	6909	2898	8216	6605	3024	7696	6225	3245	7384	5922	3371	
	14	20	6887	4725	1496	9945	7476	2108	9256	6973	2514	9152	6909	2930	8840	6681	3056	8216	6225	3276	7904	5998	3434	
	16	22	6887	5028	1519	10635	7476	2136	9847	6973	2543	9776	6909	2961	9464	6681	3119	8840	6225	3339	8528	5998	3465	
	18	25	7385	5391	1543	11324	8123	2163	10438	7548	2572	10400	7516	2993	9984	7212	3119	9360	6757	3371	8944	6453	3497	
	19	27	7634	5573	1566	11718	8554	2191	10831	7907	2601	10816	7896	3024	10400	7592	3150	9776	7136	3371	9360	6833	3497	
	22	30	8464	5512	1566	12998	8482	2191	12013	7835	2601	11960	7820	3056	11544	7516	3182	10400	7288	3497	9672	7136	3686	
	24	32	9045	5512	1589	13884	8482	2219	12801	7835	2631	12792	7820	3056	12272	7516	3213	10816	7440	3591	9880	7364	3812	
(1.5+1.8+5.0) + (1.5+1.8+2.5)	12	18	7020	4816	1520	9434	7619	2141	8731	7033	2524	8692	7042	2944	8374	6732	3072	7844	6345	3296	7526	6036	3424	
	14	20	7020	4816	1520	10137	7619	2141	9434	7107	2554	9328	7042	2976	9010	6809	3104	8374	6345	3328	8056	6113	3488	
	16	22	7020	5124	1543	10839	7619	2170	10036	7107	2583	9964	7042	3008	9646	6809	3168	9010	6345	3392	8692	6113	3520	
	18	25	7527	5495	1567	11542	8279	2198	10638	7693	2613	10600	7661	3040	10176	7351	3168	9540	6887	3424	9116	6577	3552	
	19	27	7781	5680	1591	11943	8718	2226	11040	8059	2643	11024	8048	3072	10600	7738	3200	9964	7274	3424	9540	6964	3552	
	22	30	8627	5618	1591	13248	8645	2226	12244	7986	2643	12190	7970	3104	11766	7661	3232	10600	7428	3552	9858	7274	3744	
	24	32	9219	5618	1615	14151	8645	2254	13047	7986	2672	13038	7970	3104	12508	7661	3264	11024	7583	3648	10070	7506	3872	
(1.5+1.8+5.0) + (1.5+1.8+3.5)	12	18	7020	4816	1520	9434	7619	2141	8731	7033	2524	8692	7042	2944	8374	6732	3072	7844	6345	3296	7526	6036	3424	
	14	20	7020	4816	1520	10137	7619	2141	9434	7107	2554	9328	7042	2976	9010	6809	3104	8374	6345	3328	8056	6113	3488	
	16	22	7020	5124	1543	10839	7619	2170	10036	7107	2583	9964	7042	3008	9646	6809	3168	9010	6345	3392	8692	6113	3520	
	18	25	7527	5495	1567	11542	8279	2198	10638	7693	2613	10600	7661	3040	10176	7351	3168	9540	6887	3424	9116	6577	3552	
	19	27	7781	5680	1591	11943	8718	2226	11040	8059	2643	11024	8048	3072	10600	7738	3200	9964	7274	3424	9540	6964	3552	
	22	30	8627	5618	1591	13248	8645	2226	12244	7986	2643	12190	7970	3104	11766	7661	3232	10600	7428	3552	9858	7274	3744	
	24	32	9219	5618	1615	14151	8645	2254	13047	7986	2672	13038	7970	3104	12508	7661	3264	11024	7583	3648	10070	7506	3872	
(1.5+1.8+5.0) + (1.5+1.8+5.0)	12	18	7020	4816	1520	9434	7619	2141	8731	7033	2524	8692	7042	2944	8374	6732	3072	7844	6345	3296	7526	6036	3424	
	14	20	7020	4816	1520	10137	7619	2141	9434	7107	2554	9328	7042	2976	9010	6809	3104	8374	6345	3328	8056	6113	3488	
	16	22	7020	5124	1543	10839	7619	2170	10036	7107	2583	9964	7042	3008	9646	6809	3168	9010	6345	3392	8692	6113	3520	
	18	25	7527	5495	1567	11542	8279	2198	10638	7693	2613	10600	7661	3040	10176	7351	3168	9540	6887	3424	9116	6577	3552	
	19	27	7781	5680	1591	11943	8718	2226	11040	8059	2643	11024	8048	3072	10600	7738	3200	9964	7274	3424	9540	6964	3552	
	22	30	8627	5618	1591	13248	8645	2226	12244	7986	2643	12190	7970	3104	11766	7661	3232	10600	7428	3552	9858	7274	3744	
	24	32	9219	5618	1615	14151	8645	2254	13047	7986	2672	13038	7970	3104	12508	7661	3264	11024	7583	3648	10070	7506	3872	

		INDOOR		OUTDOOR TEMPERATURE (°CDB)																				
		EWB	EDB	-10			21			27			32			35			40			43		
		°C	°C	TC	SHC	PI	TC	SHC	PI	TC	SHC	PI	TC	SHC	PI	TC	SHC	PI	TC	SHC	PI	TC	SHC	PI
(1.5+1.8+5.0) + (1.5+2.5+2.5)	12	18	7020	4816	1520	9434	7619	2141	8731	7033	2524	8692	7042	2944	8374	6732	3072	7844	6345	3296	7526	6036	3424	
	14	20	7020	4816	1520	10137	7619	2141	9434	7107	2554	9328	7042	2976	9010	6809	3104	8374	6345	3328	8056	6113	3488	
	16	22	7020	5124	1543	10839	7619	2170	10036	7107	2583	9964	7042	3008	9646	6809	3168	9010	6345	3392	8692	6113	3520	
	18	25	7527	5495	1567	11542	8279	2198	10638	7693	2613	10600	7661	3040	10176	7351	3168	9540	6887	3424	9116	6577	3552	
	19	27	7781	5680	1591	11943	8718	2226	11040	8059	2643	11024	8048	3072	10600	7738	3200	9964	7274	3424	9540	6964	3552	
	22	30	8627	5618	1591	13248	8645	2226	12244	7986	2643	12190	7970	3104	11766	7661	3232	10600	7428	3552	9858	7274	3744	
	24	32	9219	5618	1615	14151	8645	2254	13047	7986	2672	13038	7970	3104	12508	7661	3264	11024	7583	3648	10070	7506	3872	
(1.5+1.8+5.0) + (1.5+2.5+3.5)	12	18	7020	4816	1520	9434	7619	2141	8731	7033	2524	8692	7042	2944	8374	6732	3072	7844	6345	3296	7526	6036	3424	
	14	20	7020	4816	1520	10137	7619	2141	9434	7107	2554	9328	7042	2976	9010	6809	3104	8374	6345	3328	8056	6113	3488	
	16	22	7020	5124	1543	10839	7619	2170	10036	7107	2583	9964	7042	3008	9646	6809	3168	9010	6345	3392	8692	6113	3520	
	18	25	7527	5495	1567	11542	8279	2198	10638	7693	2613	10600	7661	3040	10176	7351	3168	9540	6887	3424	9116	6577	3552	
	19	27	7781	5680	1591	11943	8718	2226	11040	8059	2643	11024	8048	3072	10600	7738	3200	9964	7274	3424	9540	6964	3552	
	22	30	8627	5618	1591	13248	8645	2226	12244	7986	2643	12190	7970	3104	11766	7661	3232	10600	7428	3552	9858	7274	3744	
	24	32	9219	5618	1615	14151	8645	2254	13047	7986	2672	13038	7970	3104	12508	7661	3264	11024	7583	3648	10070	7506	3872	
(1.5+1.8+5.0) + (1.5+3.5+3.5)	12	18	7020	4816	1520	9434	7619	2141	8731	7033	2524	8692	7042	2944	8374	6732	3072	7844	6345	3296	7526	6036	3424	
	14	20	7020	4816	1520	10137	7619	2141	9434	7107	2554	9328	7042	2976	9010	6809	3104	8374	6345	3328	8056	6113	3488	
	16	22	7020	5124	1543	10839	7619	2170	10036	7107	2583	9964	7042	3008	9646	6809	3168	9010	6345	3392	8692	6113	3520	
	18	25	7527	5495	1567	11542	8279	2198	10638	7693	2613	10600	7661	3040	10176	7351	3168	9540	6887	3424	9116	6577	3552	
	19	27	7781	5680	1591	11943	8718	2226	11040	8059	2643	11024	8048	3072	10600	7738	3200	9964	7274	3424	9540	6964	3552	
	22	30	8627	5618	1591	13248	8645	2226	12244	7986	2643	12190	7970	3104	11766	7661	3232	10600	7428	3552	9858	7274	3744	
	24	32	9219	5618	1615	14151	8645	2254	13047	7986	2672	13038	7970	3104	12508	7661	3264	11024	7583	3648	10070	7506	3872	
(1.5+1.8+5.0) + (1.8+1.8+1.8)	12	18	7020	4816	1520	9434	7619	2141	8731	7033	2524	8692	7042	2944	8374	6732	3072	7844	6345	3296	7526	6036	3424	
	14	20	7020	4816	1520	10137	7619	2141	9434	7107	2554	9328	7042	2976	9010	6809	3104	8374	6345	3328	8056	6113	3488	
	16	22	7020	5124	1543	10839	7619	2170	10036	7107	2583	9964	7042	3008	9646	6809	3168	9010	6345	3392	8692	6113	3520	
	18	25	7527	5495	1567	11542	8279	2198	10638	7693	2613	10600	7661	3040	10176	7351	3168	9540	6887	3424	9116	6577	3552	
	19	27	7781	5680	1591	11943	8718	2226	11040	8059	2643	11024	8048	3072	10600	7738	3200	9964	7274	3424	9540	6964	3552	
	22	30	8627	5618	1591	13248	8645	2226	12244	7986	2643	12190	7970	3104	11766	7661	3232	10600	7428	3552	9858	7274	3744	
	24	32	9219	5618	1615	14151	8645	2254	13047	7986	2672	13038	7970	3104	12508	7661	3264	11024	7583	3648	10070	7506	3872	
(1.5+1.8+5.0) + (1.8+1.8+2.5)	12	18	7020	4816	1520	9434	7619	2141	8731	7033	2524	8692	7042	2944	8374	6732	3072	7844	6345	3296	7526	6036	3424	
	14	20	7020	4816	1520	10137	7619	2141	9434	7107	2554	9328	7042	2976	9010	6809	3104	8374	6345	3328	8056	6113	3488	
	16	22	7020	5124	1543	10839	7619	2170	10036	7107	2583	9964	7042	3008	9646	6809	3168	9010	6345	3392	8692	6113	3520	
	18	25	7527	5495	1567	11542	8279	2198	10638	7693	2613	10600	7661	3040	10176	7351	3168	9540	6887	3424	9116	6577	3552	
	19	27	7781	5680	1591	11943	8718	2226	11040	8059	2643	11024	8048	3072	10600	7738	3200	9964	7274	3424	9540	6964	3552	
	22	30	8627	5618	1591	13248	8645	2226	12244	7986	2643	12190	7970	3104	11766	7661	3232	10600	7428	3552	9858	7274	3744	
	24	32	9219	5618	1615	14151	8645	2254	13047	7986	2672	13038	7970	3104	12508	7661	3264	11024	7583	3648	10070	7506	3872	
(1.5+1.8+5.0) + (1.8+1.8+3.5)	12	18	7020	4816	1520	9434	7619	2141	8731	7033	2524	8692	7042	2944	8374	6732	3072	7844	6345	3296	7526	6036	3424	
	14	20	7020	4816	1520	10137	7619	2141	9434	7107	2554	9328	7042	2976	9010	6809	3104	8374	6345	3328	8056	6113	3488	
	16	22	7020	5124	1543	10839	7619	2170	10036	7107	2583	9964	7042	3008	9646	6809	3168	9010	6345	3392	8692	6113	3520	
	18	25	7527	5495	1567	11542	8279	2198	10638	7693	2613	10600	7661	3040	10176	7351	3168	9540	6887	3424	9116	6577	3552	
	19	27	7781	5680	1591	11943	8718	2226	11040	8059	2643	11024	8048	3072	10600	7738	3200	9964	7274	3424	9540	6964	3552	
	22	30	8627	5618	1591	13248	8645	2226	12244	7986	2643	12190	7970	3104	11766	7661	3232	10600	7428	3552	9858	7274	3744	
	24	32	9219	5618	1615	14151	8645	2254	13047	7986	2672	13038	7970	3104	12508	7661	3264	11024	7583	3648	10070	7506	3872	

		INDOOR		OUTDOOR TEMPERATURE (°CDB)																				
		EWB	EDB	-10			21			27			32			35			40			43		
		°C	°C	TC	SHC	PI	TC	SHC	PI	TC	SHC	PI	TC	SHC	PI	TC	SHC	PI	TC	SHC	PI	TC	SHC	PI
(1.5+1.8+5.0) + (1.8+1.8+5.0)	12	18	7020	4816	1520	9434	7619	2141	8731	7033	2524	8692	7042	2944	8374	6732	3072	7844	6345	3296	7526	6036	3424	
	14	20	7020	4816	1520	10137	7619	2141	9434	7107	2554	9328	7042	2976	9010	6809	3104	8374	6345	3328	8056	6113	3488	
	16	22	7020	5124	1543	10839	7619	2170	10036	7107	2583	9964	7042	3008	9646	6809	3168	9010	6345	3392	8692	6113	3520	
	18	25	7527	5495	1567	11542	8279	2198	10638	7693	2613	10600	7661	3040	10176	7351	3168	9540	6887	3424	9116	6577	3552	
	19	27	7781	5680	1591	11943	8718	2226	11040	8059	2643	11024	8048	3072	10600	7738	3200	9964	7274	3424	9540	6964	3552	
	22	30	8627	5618	1591	13248	8645	2226	12244	7986	2643	12190	7970	3104	11766	7661	3232	10600	7428	3552	9858	7274	3744	
	24	32	9219	5618	1615	14151	8645	2254	13047	7986	2672	13038	7970	3104	12508	7661	3264	11024	7583	3648	10070	7506	3872	
(1.5+1.8+5.0) + (1.8+2.5+2.5)	12	18	7020	4816	1520	9434	7619	2141	8731	7033	2524	8692	7042	2944	8374	6732	3072	7844	6345	3296	7526	6036	3424	
	14	20	7020	4816	1520	10137	7619	2141	9434	7107	2554	9328	7042	2976	9010	6809	3104	8374	6345	3328	8056	6113	3488	
	16	22	7020	5124	1543	10839	7619	2170	10036	7107	2583	9964	7042	3008	9646	6809	3168	9010	6345	3392	8692	6113	3520	
	18	25	7527	5495	1567	11542	8279	2198	10638	7693	2613	10600	7661	3040	10176	7351	3168	9540	6887	3424	9116	6577	3552	
	19	27	7781	5680	1591	11943	8718	2226	11040	8059	2643	11024	8048	3072	10600	7738	3200	9964	7274	3424	9540	6964	3552	
	22	30	8627	5618	1591	13248	8645	2226	12244	7986	2643	12190	7970	3104	11766	7661	3232	10600	7428	3552	9858	7274	3744	
	24	32	9219	5618	1615	14151	8645	2254	13047	7986	2672	13038	7970	3104	12508	7661	3264	11024	7583	3648	10070	7506	3872	
(1.5+1.8+5.0) + (1.8+2.5+3.5)	12	18	7020	4816	1520	9434	7619	2141	8731	7033	2524	8692	7042	2944	8374	6732	3072	7844	6345	3296	7526	6036	3424	
	14	20	7020	4816	1520	10137	7619	2141	9434	7107	2554	9328	7042	2976	9010	6809	3104	8374	6345	3328	8056	6113	3488	
	16	22	7020	5124	1543	10839	7619	2170	10036	7107	2583	9964	7042	3008	9646	6809	3168	9010	6345	3392	8692	6113	3520	
	18	25	7527	5495	1567	11542	8279	2198	10638	7693	2613	10600	7661	3040	10176	7351	3168	9540	6887	3424	9116	6577	3552	
	19	27	7781	5680	1591	11943	8718	2226	11040	8059	2643	11024	8048	3072	10600	7738	3200	9964	7274	3424	9540	6964	3552	
	22	30	8627	5618	1591	13248	8645	2226	12244	7986	2643	12190	7970	3104	11766	7661	3232	10600	7428	3552	9858	7274	3744	
	24	32	9219	5618	1615	14151	8645	2254	13047	7986	2672	13038	7970	3104	12508	7661	3264	11024	7583	3648	10070	7506	3872	
(1.5+1.8+5.0) + (1.8+3.5+3.5)	12	18	7020	4816	1520	9434	7619	2141	8731	7033	2524	8692	7042	2944	8374	6732	3072	7844	6345	3296	7526	6036	3424	
	14	20	7020	4816	1520	10137	7619	2141	9434	7107	2554	9328	7042	2976	9010	6809	3104	8374	6345	3328	8056	6113	3488	
	16	22	7020	5124	1543	10839	7619	2170	10036	7107	2583	9964	7042	3008	9646	6809	3168	9010	6345	3392	8692	6113	3520	
	18	25	7527	5495	1567	11542	8279	2198	10638	7693	2613	10600	7661	3040	10176	7351	3168	9540	6887	3424	9116	6577	3552	
	19	27	7781	5680	1591	11943	8718	2226	11040	8059	2643	11024	8048	3072	10600	7738	3200	9964	7274	3424	9540	6964	3552	
	22	30	8627	5618	1591	13248	8645	2226	12244	7986	2643	12190	7970	3104	11766	7661	3232	10600	7428	3552	9858	7274	3744	
	24	32	9219	5618	1615	14151	8645	2254	13047	7986	2672	13038	7970	3104	12508	7661	3264	11024	7583	3648	10070	7506	3872	
(1.5+1.8+5.0) + (2.5+2.5+2.5)	12	18	7020	4816	1520	9434	7619	2141	8731	7033	2524	8692	7042	2944	8374	6732	3072	7844	6345	3296	7526	6036	3424	
	14	20	7020	4816	1520	10137	7619	2141	9434	7107	2554	9328	7042	2976	9010	6809	3104	8374	6345	3328	8056	6113	3488	
	16	22	7020	5124	1543	10839	7619	2170	10036	7107	2583	9964	7042	3008	9646	6809	3168	9010	6345	3392	8692	6113	3520	
	18	25	7527	5495	1567	11542	8279	2198	10638	7693	2613	10600	7661	3040	10176	7351	3168	9540	6887	3424	9116	6577	3552	
	19	27	7781	5680	1591	11943	8718	2226	11040	8059	2643	11024	8048	3072	10600	7738	3200	9964	7274	3424	9540	6964	3552	
	22	30	8627	5618	1591	13248	8645	2226	12244	7986	2643	12190	7970	3104	11766	7661	3232	10600	7428	3552	9858	7274	3744	
	24	32	9219	5618	1615	14151	8645	2254	13047	7986	2672	13038	7970	3104	12508	7661	3264	11024	7583	3648	10070	7506	3872	
(1.5+1.8+5.0) + (2.5+2.5+3.5)	12	18	7020	4816	1520	9434	7619	2141	8731	7033	2524	8692	7042	2944	8374	6732	3072	7844	6345	3296	7526	6036	3424	
	14	20	7020	4816	1520	10137	7619	2141	9434	7107	2554	9328	7042	2976	9010	6809	3104	8374	6345	3328	8056	6113	3488	
	16	22	7020	5124	1543	10839	7619	2170	10036	7107	2583	9964	7042	3008	9646	6809	3168	9010	6345	3392	8692	6113	3520	
	18	25	7527	5495	1567	11542	8279	2198	10638	7693	2613	10600	7661	3040	10176	7351	3168	9540	6887	3424	9116	6577	3552	
	19	27	7781	5680	1591	11943	8718	2226	11040	8059	2643	11024	8048	3072	10600	7738	3200	9964	7274	3424	9540	6964	3552	
	22	30	8627	5618	1591	13248	8645	2226	12244	7986	2643	12190	7970	3104	11766	7661	3232	10600	7428	3552	9858	7274	3744	
	24	32	9219	5618	1615	14151	8645	2254	13047	7986	2672	13038	7970	3104	12508	7661	3264	11024	7583	3648	10070	7506	3872	

		INDOOR		OUTDOOR TEMPERATURE (°CDB)																				
		EWB	EDB	-10			21			27			32			35			40			43		
				°C	°C	TC	SHC	PI	TC	SHC	PI	TC	SHC	PI	TC	SHC	PI	TC	SHC	PI	TC	SHC	PI	
(1.5+2.5+2.5) + (1.5+1.5+1.5)	12	18	6490	4452	1410	8722	7044	1988	8072	6503	2342	8036	6510	2732	7742	6224	2851	7252	5866	3059	6958	5580	3178	
	14	20	6490	4452	1410	9372	7044	1988	8722	6570	2370	8624	6510	2762	8330	6296	2881	7742	5866	3089	7448	5652	3237	
	16	22	6490	4738	1432	10021	7044	2014	9279	6570	2398	9212	6510	2792	8918	6296	2940	8330	5866	3148	8036	5652	3267	
	18	25	6959	5080	1455	10671	7654	2040	9835	7112	2425	9800	7082	2822	9408	6796	2940	8820	6367	3178	8428	6081	3297	
	19	27	7194	5251	1477	11042	8060	2066	10207	7451	2453	10192	7440	2851	9800	7154	2970	9212	6725	3178	8820	6439	3297	
	22	30	7976	5194	1477	12248	7993	2066	11320	7383	2453	11270	7369	2881	10878	7082	3000	9800	6868	3297	9114	6725	3475	
	24	32	8523	5194	1499	13083	7993	2092	12062	7383	2480	12054	7369	2881	11564	7082	3029	10192	7011	3386	9310	6939	3594	
(1.5+2.5+2.5) + (1.5+1.5+1.8)	12	18	6689	4589	1458	8989	7260	2054	8320	6702	2421	8282	6709	2824	7979	6415	2947	7474	6046	3162	7171	5751	3285	
	14	20	6689	4589	1458	9658	7260	2054	8989	6771	2450	8888	6709	2855	8585	6488	2978	7979	6046	3193	7676	5825	3346	
	16	22	6689	4883	1481	10328	7260	2081	9563	6771	2478	9494	6709	2886	9191	6488	3039	8585	6046	3254	8282	5825	3377	
	18	25	7172	5236	1503	10997	7888	2109	10137	7330	2507	10100	7299	2917	9696	7004	3039	9090	6562	3285	8686	6267	3408	
	19	27	7414	5412	1526	11380	8307	2136	10519	7679	2535	10504	7668	2947	10100	7373	3070	9494	6931	3285	9090	6636	3408	
	22	30	8220	5353	1526	12623	8237	2136	11667	7609	2535	11615	7594	2978	11211	7299	3101	10100	7078	3408	9393	6931	3592	
	24	32	8784	5353	1549	13484	8237	2163	12432	7609	2564	12423	7594	2978	11918	7299	3131	10504	7226	3500	9595	7152	3715	
(1.5+2.5+2.5) + (1.5+1.5+2.5)	12	18	7020	4816	1520	9434	7619	2141	8731	7033	2524	8692	7042	2944	8374	6732	3072	7844	6345	3296	7526	6036	3424	
	14	20	7020	4816	1520	10137	7619	2141	9434	7107	2554	9328	7042	2976	9010	6809	3104	8374	6345	3328	8056	6113	3488	
	16	22	7020	5124	1543	10839	7619	2170	10036	7107	2583	9964	7042	3008	9646	6809	3168	9010	6345	3392	8692	6113	3520	
	18	25	7527	5495	1567	11542	8279	2198	10638	7693	2613	10600	7661	3040	10176	7351	3168	9540	6887	3424	9116	6577	3552	
	19	27	7781	5680	1591	11943	8718	2226	11040	8059	2643	11024	8048	3072	10600	7738	3200	9964	7274	3424	9540	6964	3552	
	22	30	8627	5618	1591	13248	8645	2226	12244	7986	2643	12190	7970	3104	11766	7661	3232	10600	7428	3552	9858	7274	3744	
	24	32	9219	5618	1615	14151	8645	2254	13047	7986	2672	13038	7970	3104	12508	7661	3264	11024	7583	3648	10070	7506	3872	
(1.5+2.5+2.5) + (1.5+1.5+3.5)	12	18	7020	4816	1520	9434	7619	2141	8731	7033	2524	8692	7042	2944	8374	6732	3072	7844	6345	3296	7526	6036	3424	
	14	20	7020	4816	1520	10137	7619	2141	9434	7107	2554	9328	7042	2976	9010	6809	3104	8374	6345	3328	8056	6113	3488	
	16	22	7020	5124	1543	10839	7619	2170	10036	7107	2583	9964	7042	3008	9646	6809	3168	9010	6345	3392	8692	6113	3520	
	18	25	7527	5495	1567	11542	8279	2198	10638	7693	2613	10600	7661	3040	10176	7351	3168	9540	6887	3424	9116	6577	3552	
	19	27	7781	5680	1591	11943	8718	2226	11040	8059	2643	11024	8048	3072	10600	7738	3200	9964	7274	3424	9540	6964	3552	
	22	30	8627	5618	1591	13248	8645	2226	12244	7986	2643	12190	7970	3104	11766	7661	3232	10600	7428	3552	9858	7274	3744	
	24	32	9219	5618	1615	14151	8645	2254	13047	7986	2672	13038	7970	3104	12508	7661	3264	11024	7583	3648	10070	7506	3872	
(1.5+2.5+2.5) + (1.5+1.5+5.0)	12	18	7020	4816	1520	9434	7619	2141	8731	7033	2524	8692	7042	2944	8374	6732	3072	7844	6345	3296	7526	6036	3424	
	14	20	7020	4816	1520	10137	7619	2141	9434	7107	2554	9328	7042	2976	9010	6809	3104	8374	6345	3328	8056	6113	3488	
	16	22	7020	5124	1543	10839	7619	2170	10036	7107	2583	9964	7042	3008	9646	6809	3168	9010	6345	3392	8692	6113	3520	
	18	25	7527	5495	1567	11542	8279	2198	10638	7693	2613	10600	7661	3040	10176	7351	3168	9540	6887	3424	9116	6577	3552	
	19	27	7781	5680	1591	11943	8718	2226	11040	8059	2643	11024	8048	3072	10600	7738	3200	9964	7274	3424	9540	6964	3552	
	22	30	8627	5618	1591	13248	8645	2226	12244	7986	2643	12190	7970	3104	11766	7661	3232	10600	7428	3552	9858	7274	3744	
	24	32	9219	5618	1615	14151	8645	2254	13047	7986	2672	13038	7970	3104	12508	7661	3264	11024	7583	3648	10070	7506	3872	
(1.5+2.5+2.5) + (1.5+1.8+1.8)	12	18	6887	4725	1496	9256	7476	2108	8567	6901	2484	8528	6909	2898	8216	6605	3024	7696	6225	3245	7384	5922	3371	
	14	20	6887	4725	1496	9945	7476	2108	9256	6973	2514	9152	6909	2930	8840	6681	3056	8216	6225	3276	7904	5998	3434	
	16	22	6887	5028	1519	10635	7476	2136	9847	6973	2543	9776	6909	2961	9464	6681	3119	8840	6225	3339	8528	5998	3465	
	18	25	7385	5391	1543	11324	8123	2163	10438	7548	2572	10400	7516	2993	9984	7212	3119	9360	6757	3371	8944	6453	3497	
	19	27	7634	5573	1566	11718	8554	2191	10831	7907	2601	10816	7896	3024	10400	7592	3150	9776	7136	3371	9360	6833	3497	
	22	30	8464	5512	1566	12998	8482	2191	12013	7835	2601	11960	7820	3056	11544	7516	3182	10400	7288	3497	9672	7136	3686	
	24	32	9045	5512	1589	13884	8482	2219	12801	7835	2631	12792	7820	3056	12272	7516	3213	10816	7440	3591	9880	7364	3812	

		INDOOR		OUTDOOR TEMPERATURE (°CDB)																				
		EWB	EDB	-10			21			27			32			35			40			43		
		°C	°C	TC	SHC	PI	TC	SHC	PI	TC	SHC	PI	TC	SHC	PI	TC	SHC	PI	TC	SHC	PI	TC	SHC	PI
(1.5+2.5+2.5) + (1.5+1.8+2.5)	12	18	7020	4816	1520	9434	7619	2141	8731	7033	2524	8692	7042	2944	8374	6732	3072	7844	6345	3296	7526	6036	3424	
	14	20	7020	4816	1520	10137	7619	2141	9434	7107	2554	9328	7042	2976	9010	6809	3104	8374	6345	3328	8056	6113	3488	
	16	22	7020	5124	1543	10839	7619	2170	10036	7107	2583	9964	7042	3008	9646	6809	3168	9010	6345	3392	8692	6113	3520	
	18	25	7527	5495	1567	11542	8279	2198	10638	7693	2613	10600	7661	3040	10176	7351	3168	9540	6887	3424	9116	6577	3552	
	19	27	7781	5680	1591	11943	8718	2226	11040	8059	2643	11024	8048	3072	10600	7738	3200	9964	7274	3424	9540	6964	3552	
	22	30	8627	5618	1591	13248	8645	2226	12244	7986	2643	12190	7970	3104	11766	7661	3232	10600	7428	3552	9858	7274	3744	
	24	32	9219	5618	1615	14151	8645	2254	13047	7986	2672	13038	7970	3104	12508	7661	3264	11024	7583	3648	10070	7506	3872	
(1.5+2.5+2.5) + (1.5+1.8+3.5)	12	18	7020	4816	1520	9434	7619	2141	8731	7033	2524	8692	7042	2944	8374	6732	3072	7844	6345	3296	7526	6036	3424	
	14	20	7020	4816	1520	10137	7619	2141	9434	7107	2554	9328	7042	2976	9010	6809	3104	8374	6345	3328	8056	6113	3488	
	16	22	7020	5124	1543	10839	7619	2170	10036	7107	2583	9964	7042	3008	9646	6809	3168	9010	6345	3392	8692	6113	3520	
	18	25	7527	5495	1567	11542	8279	2198	10638	7693	2613	10600	7661	3040	10176	7351	3168	9540	6887	3424	9116	6577	3552	
	19	27	7781	5680	1591	11943	8718	2226	11040	8059	2643	11024	8048	3072	10600	7738	3200	9964	7274	3424	9540	6964	3552	
	22	30	8627	5618	1591	13248	8645	2226	12244	7986	2643	12190	7970	3104	11766	7661	3232	10600	7428	3552	9858	7274	3744	
	24	32	9219	5618	1615	14151	8645	2254	13047	7986	2672	13038	7970	3104	12508	7661	3264	11024	7583	3648	10070	7506	3872	
(1.5+2.5+2.5) + (1.5+1.8+5.0)	12	18	7020	4816	1520	9434	7619	2141	8731	7033	2524	8692	7042	2944	8374	6732	3072	7844	6345	3296	7526	6036	3424	
	14	20	7020	4816	1520	10137	7619	2141	9434	7107	2554	9328	7042	2976	9010	6809	3104	8374	6345	3328	8056	6113	3488	
	16	22	7020	5124	1543	10839	7619	2170	10036	7107	2583	9964	7042	3008	9646	6809	3168	9010	6345	3392	8692	6113	3520	
	18	25	7527	5495	1567	11542	8279	2198	10638	7693	2613	10600	7661	3040	10176	7351	3168	9540	6887	3424	9116	6577	3552	
	19	27	7781	5680	1591	11943	8718	2226	11040	8059	2643	11024	8048	3072	10600	7738	3200	9964	7274	3424	9540	6964	3552	
	22	30	8627	5618	1591	13248	8645	2226	12244	7986	2643	12190	7970	3104	11766	7661	3232	10600	7428	3552	9858	7274	3744	
	24	32	9219	5618	1615	14151	8645	2254	13047	7986	2672	13038	7970	3104	12508	7661	3264	11024	7583	3648	10070	7506	3872	
(1.5+2.5+2.5) + (1.5+2.5+2.5)	12	18	7020	4816	1520	9434	7619	2141	8731	7033	2524	8692	7042	2944	8374	6732	3072	7844	6345	3296	7526	6036	3424	
	14	20	7020	4816	1520	10137	7619	2141	9434	7107	2554	9328	7042	2976	9010	6809	3104	8374	6345	3328	8056	6113	3488	
	16	22	7020	5124	1543	10839	7619	2170	10036	7107	2583	9964	7042	3008	9646	6809	3168	9010	6345	3392	8692	6113	3520	
	18	25	7527	5495	1567	11542	8279	2198	10638	7693	2613	10600	7661	3040	10176	7351	3168	9540	6887	3424	9116	6577	3552	
	19	27	7781	5680	1591	11943	8718	2226	11040	8059	2643	11024	8048	3072	10600	7738	3200	9964	7274	3424	9540	6964	3552	
	22	30	8627	5618	1591	13248	8645	2226	12244	7986	2643	12190	7970	3104	11766	7661	3232	10600	7428	3552	9858	7274	3744	
	24	32	9219	5618	1615	14151	8645	2254	13047	7986	2672	13038	7970	3104	12508	7661	3264	11024	7583	3648	10070	7506	3872	
(1.5+2.5+2.5) + (1.5+2.5+3.5)	12	18	7020	4816	1520	9434	7619	2141	8731	7033	2524	8692	7042	2944	8374	6732	3072	7844	6345	3296	7526	6036	3424	
	14	20	7020	4816	1520	10137	7619	2141	9434	7107	2554	9328	7042	2976	9010	6809	3104	8374	6345	3328	8056	6113	3488	
	16	22	7020	5124	1543	10839	7619	2170	10036	7107	2583	9964	7042	3008	9646	6809	3168	9010	6345	3392	8692	6113	3520	
	18	25	7527	5495	1567	11542	8279	2198	10638	7693	2613	10600	7661	3040	10176	7351	3168	9540	6887	3424	9116	6577	3552	
	19	27	7781	5680	1591	11943	8718	2226	11040	8059	2643	11024	8048	3072	10600	7738	3200	9964	7274	3424	9540	6964	3552	
	22	30	8627	5618	1591	13248	8645	2226	12244	7986	2643	12190	7970	3104	11766	7661	3232	10600	7428	3552	9858	7274	3744	
	24	32	9219	5618	1615	14151	8645	2254	13047	7986	2672	13038	7970	3104	12508	7661	3264	11024	7583	3648	10070	7506	3872	
(1.5+2.5+2.5) + (1.5+3.5+3.5)	12	18	7020	4816	1520	9434	7619	2141	8731	7033	2524	8692	7042	2944	8374	6732	3072	7844	6345	3296	7526	6036	3424	
	14	20	7020	4816	1520	10137	7619	2141	9434	7107	2554	9328	7042	2976	9010	6809	3104	8374	6345	3328	8056	6113	3488	
	16	22	7020	5124	1543	10839	7619	2170	10036	7107	2583	9964	7042	3008	9646	6809	3168	9010	6345	3392	8692	6113	3520	
	18	25	7527	5495	1567	11542	8279	2198	10638	7693	2613	10600	7661	3040	10176	7351	3168	9540	6887	3424	9116	6577	3552	
	19	27	7781	5680	1591	11943	8718	2226	11040	8059	2643	11024	8048	3072	10600	7738	3200	9964	7274	3424	9540	6964	3552	
	22	30	8627	5618	1591	13248	8645	2226	12244	7986	2643	12190	7970	3104	11766	7661	3232	10600	7428	3552	9858	7274	3744	
	24	32	9219	5618	1615	14151	8645	2254	13047	7986	2672	13038	7970	3104	12508	7661	3264	11024	7583	3648	10070	7506	3872	

		INDOOR		OUTDOOR TEMPERATURE (°CDB)																				
		EWB	EDB	-10			21			27			32			35			40			43		
		°C	°C	TC	SHC	PI	TC	SHC	PI	TC	SHC	PI	TC	SHC	PI	TC	SHC	PI	TC	SHC	PI	TC	SHC	PI
(1.5+2.5+2.5) +(1.8+1.8+1.8)	12	18	7020	4816	1520	9434	7619	2141	8731	7033	2524	8692	7042	2944	8374	6732	3072	7844	6345	3296	7526	6036	3424	
	14	20	7020	4816	1520	10137	7619	2141	9434	7107	2554	9328	7042	2976	9010	6809	3104	8374	6345	3328	8056	6113	3488	
	16	22	7020	5124	1543	10839	7619	2170	10036	7107	2583	9964	7042	3008	9646	6809	3168	9010	6345	3392	8692	6113	3520	
	18	25	7527	5495	1567	11542	8279	2198	10638	7693	2613	10600	7661	3040	10176	7351	3168	9540	6887	3424	9116	6577	3552	
	19	27	7781	5680	1591	11943	8718	2226	11040	8059	2643	11024	8048	3072	10600	7738	3200	9964	7274	3424	9540	6964	3552	
	22	30	8627	5618	1591	13248	8645	2226	12244	7986	2643	12190	7970	3104	11766	7661	3232	10600	7428	3552	9858	7274	3744	
	24	32	9219	5618	1615	14151	8645	2254	13047	7986	2672	13038	7970	3104	12508	7661	3264	11024	7583	3648	10070	7506	3872	
(1.5+2.5+2.5) +(1.8+1.8+2.5)	12	18	7020	4816	1520	9434	7619	2141	8731	7033	2524	8692	7042	2944	8374	6732	3072	7844	6345	3296	7526	6036	3424	
	14	20	7020	4816	1520	10137	7619	2141	9434	7107	2554	9328	7042	2976	9010	6809	3104	8374	6345	3328	8056	6113	3488	
	16	22	7020	5124	1543	10839	7619	2170	10036	7107	2583	9964	7042	3008	9646	6809	3168	9010	6345	3392	8692	6113	3520	
	18	25	7527	5495	1567	11542	8279	2198	10638	7693	2613	10600	7661	3040	10176	7351	3168	9540	6887	3424	9116	6577	3552	
	19	27	7781	5680	1591	11943	8718	2226	11040	8059	2643	11024	8048	3072	10600	7738	3200	9964	7274	3424	9540	6964	3552	
	22	30	8627	5618	1591	13248	8645	2226	12244	7986	2643	12190	7970	3104	11766	7661	3232	10600	7428	3552	9858	7274	3744	
	24	32	9219	5618	1615	14151	8645	2254	13047	7986	2672	13038	7970	3104	12508	7661	3264	11024	7583	3648	10070	7506	3872	
(1.5+2.5+2.5) +(1.8+1.8+3.5)	12	18	7020	4816	1520	9434	7619	2141	8731	7033	2524	8692	7042	2944	8374	6732	3072	7844	6345	3296	7526	6036	3424	
	14	20	7020	4816	1520	10137	7619	2141	9434	7107	2554	9328	7042	2976	9010	6809	3104	8374	6345	3328	8056	6113	3488	
	16	22	7020	5124	1543	10839	7619	2170	10036	7107	2583	9964	7042	3008	9646	6809	3168	9010	6345	3392	8692	6113	3520	
	18	25	7527	5495	1567	11542	8279	2198	10638	7693	2613	10600	7661	3040	10176	7351	3168	9540	6887	3424	9116	6577	3552	
	19	27	7781	5680	1591	11943	8718	2226	11040	8059	2643	11024	8048	3072	10600	7738	3200	9964	7274	3424	9540	6964	3552	
	22	30	8627	5618	1591	13248	8645	2226	12244	7986	2643	12190	7970	3104	11766	7661	3232	10600	7428	3552	9858	7274	3744	
	24	32	9219	5618	1615	14151	8645	2254	13047	7986	2672	13038	7970	3104	12508	7661	3264	11024	7583	3648	10070	7506	3872	
(1.5+2.5+2.5) +(1.8+1.8+5.0)	12	18	7020	4816	1520	9434	7619	2141	8731	7033	2524	8692	7042	2944	8374	6732	3072	7844	6345	3296	7526	6036	3424	
	14	20	7020	4816	1520	10137	7619	2141	9434	7107	2554	9328	7042	2976	9010	6809	3104	8374	6345	3328	8056	6113	3488	
	16	22	7020	5124	1543	10839	7619	2170	10036	7107	2583	9964	7042	3008	9646	6809	3168	9010	6345	3392	8692	6113	3520	
	18	25	7527	5495	1567	11542	8279	2198	10638	7693	2613	10600	7661	3040	10176	7351	3168	9540	6887	3424	9116	6577	3552	
	19	27	7781	5680	1591	11943	8718	2226	11040	8059	2643	11024	8048	3072	10600	7738	3200	9964	7274	3424	9540	6964	3552	
	22	30	8627	5618	1591	13248	8645	2226	12244	7986	2643	12190	7970	3104	11766	7661	3232	10600	7428	3552	9858	7274	3744	
	24	32	9219	5618	1615	14151	8645	2254	13047	7986	2672	13038	7970	3104	12508	7661	3264	11024	7583	3648	10070	7506	3872	
(1.5+2.5+2.5) +(1.8+2.5+2.5)	12	18	7020	4816	1520	9434	7619	2141	8731	7033	2524	8692	7042	2944	8374	6732	3072	7844	6345	3296	7526	6036	3424	
	14	20	7020	4816	1520	10137	7619	2141	9434	7107	2554	9328	7042	2976	9010	6809	3104	8374	6345	3328	8056	6113	3488	
	16	22	7020	5124	1543	10839	7619	2170	10036	7107	2583	9964	7042	3008	9646	6809	3168	9010	6345	3392	8692	6113	3520	
	18	25	7527	5495	1567	11542	8279	2198	10638	7693	2613	10600	7661	3040	10176	7351	3168	9540	6887	3424	9116	6577	3552	
	19	27	7781	5680	1591	11943	8718	2226	11040	8059	2643	11024	8048	3072	10600	7738	3200	9964	7274	3424	9540	6964	3552	
	22	30	8627	5618	1591	13248	8645	2226	12244	7986	2643	12190	7970	3104	11766	7661	3232	10600	7428	3552	9858	7274	3744	
	24	32	9219	5618	1615	14151	8645	2254	13047	7986	2672	13038	7970	3104	12508	7661	3264	11024	7583	3648	10070	7506	3872	
(1.5+2.5+2.5) +(1.8+2.5+3.5)	12	18	7020	4816	1520	9434	7619	2141	8731	7033	2524	8692	7042	2944	8374	6732	3072	7844	6345	3296	7526	6036	3424	
	14	20	7020	4816	1520	10137	7619	2141	9434	7107	2554	9328	7042	2976	9010	6809	3104	8374	6345	3328	8056	6113	3488	
	16	22	7020	5124	1543	10839	7619	2170	10036	7107	2583	9964	7042	3008	9646	6809	3168	9010	6345	3392	8692	6113	3520	
	18	25	7527	5495	1567	11542	8279	2198	10638	7693	2613	10600	7661	3040	10176	7351	3168	9540	6887	3424	9116	6577	3552	
	19	27	7781	5680	1591	11943	8718	2226	11040	8059	2643	11024	8048	3072	10600	7738	3200	9964	7274	3424	9540	6964	3552	
	22	30	8627	5618	1591	13248	8645	2226	12244	7986	2643	12190	7970	3104	11766	7661	3232	10600	7428	3552	9858	7274	3744	
	24	32	9219	5618	1615	14151	8645	2254	13047	7986	2672	13038	7970	3104	12508	7661	3264	11024	7583	3648	10070	7506	3872	



		INDOOR		OUTDOOR TEMPERATURE (°CDB)																				
		EWB	EDB	-10			21			27			32			35			40			43		
		°C	°C	TC	SHC	PI	TC	SHC	PI	TC	SHC	PI	TC	SHC	PI	TC	SHC	PI	TC	SHC	PI	TC	SHC	PI
(1.5+2.5+2.5) + (1.8+3.5+3.5)	12	18	7020	4816	1520	9434	7619	2141	8731	7033	2524	8692	7042	2944	8374	6732	3072	7844	6345	3296	7526	6036	3424	
	14	20	7020	4816	1520	10137	7619	2141	9434	7107	2554	9328	7042	2976	9010	6809	3104	8374	6345	3328	8056	6113	3488	
	16	22	7020	5124	1543	10839	7619	2170	10036	7107	2583	9964	7042	3008	9646	6809	3168	9010	6345	3392	8692	6113	3520	
	18	25	7527	5495	1567	11542	8279	2198	10638	7693	2613	10600	7661	3040	10176	7351	3168	9540	6887	3424	9116	6577	3552	
	19	27	7781	5680	1591	11943	8718	2226	11040	8059	2643	11024	8048	3072	10600	7738	3200	9964	7274	3424	9540	6964	3552	
	22	30	8627	5618	1591	13248	8645	2226	12244	7986	2643	12190	7970	3104	11766	7661	3232	10600	7428	3552	9858	7274	3744	
	24	32	9219	5618	1615	14151	8645	2254	13047	7986	2672	13038	7970	3104	12508	7661	3264	11024	7583	3648	10070	7506	3872	
(1.5+2.5+2.5) + (2.5+2.5+2.5)	12	18	7020	4816	1520	9434	7619	2141	8731	7033	2524	8692	7042	2944	8374	6732	3072	7844	6345	3296	7526	6036	3424	
	14	20	7020	4816	1520	10137	7619	2141	9434	7107	2554	9328	7042	2976	9010	6809	3104	8374	6345	3328	8056	6113	3488	
	16	22	7020	5124	1543	10839	7619	2170	10036	7107	2583	9964	7042	3008	9646	6809	3168	9010	6345	3392	8692	6113	3520	
	18	25	7527	5495	1567	11542	8279	2198	10638	7693	2613	10600	7661	3040	10176	7351	3168	9540	6887	3424	9116	6577	3552	
	19	27	7781	5680	1591	11943	8718	2226	11040	8059	2643	11024	8048	3072	10600	7738	3200	9964	7274	3424	9540	6964	3552	
	22	30	8627	5618	1591	13248	8645	2226	12244	7986	2643	12190	7970	3104	11766	7661	3232	10600	7428	3552	9858	7274	3744	
	24	32	9219	5618	1615	14151	8645	2254	13047	7986	2672	13038	7970	3104	12508	7661	3264	11024	7583	3648	10070	7506	3872	
(1.5+2.5+2.5) + (2.5+2.5+3.5)	12	18	7020	4816	1520	9434	7619	2141	8731	7033	2524	8692	7042	2944	8374	6732	3072	7844	6345	3296	7526	6036	3424	
	14	20	7020	4816	1520	10137	7619	2141	9434	7107	2554	9328	7042	2976	9010	6809	3104	8374	6345	3328	8056	6113	3488	
	16	22	7020	5124	1543	10839	7619	2170	10036	7107	2583	9964	7042	3008	9646	6809	3168	9010	6345	3392	8692	6113	3520	
	18	25	7527	5495	1567	11542	8279	2198	10638	7693	2613	10600	7661	3040	10176	7351	3168	9540	6887	3424	9116	6577	3552	
	19	27	7781	5680	1591	11943	8718	2226	11040	8059	2643	11024	8048	3072	10600	7738	3200	9964	7274	3424	9540	6964	3552	
	22	30	8627	5618	1591	13248	8645	2226	12244	7986	2643	12190	7970	3104	11766	7661	3232	10600	7428	3552	9858	7274	3744	
	24	32	9219	5618	1615	14151	8645	2254	13047	7986	2672	13038	7970	3104	12508	7661	3264	11024	7583	3648	10070	7506	3872	
(1.5+2.5+3.5) + (1.5+1.5+1.5)	12	18	6490	4452	1410	8722	7044	1988	8072	6503	2342	8036	6510	2732	7742	6224	2851	7252	5866	3059	6958	5580	3178	
	14	20	6490	4452	1410	9372	7044	1988	8722	6570	2370	8624	6510	2762	8330	6296	2881	7742	5866	3089	7448	5652	3237	
	16	22	6490	4738	1432	10021	7044	2014	9279	6570	2398	9212	6510	2792	8918	6296	2940	8330	5866	3148	8036	5652	3267	
	18	25	6959	5080	1455	10671	7654	2040	9835	7112	2425	9800	7082	2822	9408	6796	2940	8820	6367	3178	8428	6081	3297	
	19	27	7194	5251	1477	11042	8060	2066	10207	7451	2453	10192	7440	2851	9800	7154	2970	9212	6725	3178	8820	6439	3297	
	22	30	7976	5194	1477	12248	7993	2066	11320	7383	2453	11270	7369	2881	10878	7082	3000	9800	6868	3297	9114	6725	3475	
	24	32	8523	5194	1499	13083	7993	2092	12062	7383	2480	12054	7369	2881	11564	7082	3029	10192	7011	3386	9310	6939	3594	
(1.5+2.5+3.5) + (1.5+1.5+1.8)	12	18	6689	4589	1458	8989	7260	2054	8320	6702	2421	8282	6709	2824	7979	6415	2947	7474	6046	3162	7171	5751	3285	
	14	20	6689	4589	1458	9658	7260	2054	8989	6771	2450	8888	6709	2855	8585	6488	2978	7979	6046	3193	7676	5825	3346	
	16	22	6689	4883	1481	10328	7260	2081	9563	6771	2478	9494	6709	2886	9191	6488	3039	8585	6046	3254	8282	5825	3377	
	18	25	7172	5236	1503	10997	7888	2109	10137	7330	2507	10100	7299	2917	9696	7004	3039	9090	6562	3285	8686	6267	3408	
	19	27	7414	5412	1526	11380	8307	2136	10519	7679	2535	10504	7668	2947	10100	7373	3070	9494	6931	3285	9090	6636	3408	
	22	30	8220	5353	1526	12623	8237	2136	11667	7609	2535	11615	7594	2978	11211	7299	3101	10100	7078	3408	9393	6931	3592	
	24	32	8784	5353	1549	13484	8237	2163	12432	7609	2564	12423	7594	2978	11918	7299	3131	10504	7226	3500	9595	7152	3715	
(1.5+2.5+3.5) + (1.5+1.5+2.5)	12	18	7020	4816	1520	9434	7619	2141	8731	7033	2524	8692	7042	2944	8374	6732	3072	7844	6345	3296	7526	6036	3424	
	14	20	7020	4816	1520	10137	7619	2141	9434	7107	2554	9328	7042	2976	9010	6809	3104	8374	6345	3328	8056	6113	3488	
	16	22	7020	5124	1543	10839	7619	2170	10036	7107	2583	9964	7042	3008	9646	6809	3168	9010	6345	3392	8692	6113	3520	
	18	25	7527	5495	1567	11542	8279	2198	10638	7693	2613	10600	7661	3040	10176	7351	3168	9540	6887	3424	9116	6577	3552	
	19	27	7781	5680	1591	11943	8718	2226	11040	8059	2643	11024	8048	3072	10600	7738	3200	9964	7274	3424	9540	6964	3552	
	22	30	8627	5618	1591	13248	8645	2226	12244	7986	2643	12190	7970	3104	11766	7661	3232	10600	7428	3552	9858	7274	3744	
	24	32	9219	5618	1615	14151	8645	2254	13047	7986	2672	13038	7970	3104	12508	7661	3264	11024	7583	3648	10070	7506	3872	

		INDOOR		OUTDOOR TEMPERATURE (°CDB)																				
		EWB	EDB	-10			21			27			32			35			40			43		
		°C	°C	TC	SHC	PI	TC	SHC	PI	TC	SHC	PI	TC	SHC	PI	TC	SHC	PI	TC	SHC	PI	TC	SHC	PI
(1.5+2.5+3.5) + (1.5+1.5+3.5)	12	18	7020	4816	1520	9434	7619	2141	8731	7033	2524	8692	7042	2944	8374	6732	3072	7844	6345	3296	7526	6036	3424	
	14	20	7020	4816	1520	10137	7619	2141	9434	7107	2554	9328	7042	2976	9010	6809	3104	8374	6345	3328	8056	6113	3488	
	16	22	7020	5124	1543	10839	7619	2170	10036	7107	2583	9964	7042	3008	9646	6809	3168	9010	6345	3392	8692	6113	3520	
	18	25	7527	5495	1567	11542	8279	2198	10638	7693	2613	10600	7661	3040	10176	7351	3168	9540	6887	3424	9116	6577	3552	
	19	27	7781	5680	1591	11943	8718	2226	11040	8059	2643	11024	8048	3072	10600	7738	3200	9964	7274	3424	9540	6964	3552	
	22	30	8627	5618	1591	13248	8645	2226	12244	7986	2643	12190	7970	3104	11766	7661	3232	10600	7428	3552	9858	7274	3744	
	24	32	9219	5618	1615	14151	8645	2254	13047	7986	2672	13038	7970	3104	12508	7661	3264	11024	7583	3648	10070	7506	3872	
(1.5+2.5+3.5) + (1.5+1.5+5.0)	12	18	7020	4816	1520	9434	7619	2141	8731	7033	2524	8692	7042	2944	8374	6732	3072	7844	6345	3296	7526	6036	3424	
	14	20	7020	4816	1520	10137	7619	2141	9434	7107	2554	9328	7042	2976	9010	6809	3104	8374	6345	3328	8056	6113	3488	
	16	22	7020	5124	1543	10839	7619	2170	10036	7107	2583	9964	7042	3008	9646	6809	3168	9010	6345	3392	8692	6113	3520	
	18	25	7527	5495	1567	11542	8279	2198	10638	7693	2613	10600	7661	3040	10176	7351	3168	9540	6887	3424	9116	6577	3552	
	19	27	7781	5680	1591	11943	8718	2226	11040	8059	2643	11024	8048	3072	10600	7738	3200	9964	7274	3424	9540	6964	3552	
	22	30	8627	5618	1591	13248	8645	2226	12244	7986	2643	12190	7970	3104	11766	7661	3232	10600	7428	3552	9858	7274	3744	
	24	32	9219	5618	1615	14151	8645	2254	13047	7986	2672	13038	7970	3104	12508	7661	3264	11024	7583	3648	10070	7506	3872	
(1.5+2.5+3.5) + (1.5+1.8+1.8)	12	18	6887	4725	1496	9256	7476	2108	8567	6901	2484	8528	6909	2898	8216	6605	3024	7696	6225	3245	7384	5922	3371	
	14	20	6887	4725	1496	9945	7476	2108	9256	6973	2514	9152	6909	2930	8840	6681	3056	8216	6225	3276	7904	5998	3434	
	16	22	6887	5028	1519	10635	7476	2136	9847	6973	2543	9776	6909	2961	9464	6681	3119	8840	6225	3339	8528	5998	3465	
	18	25	7385	5391	1543	11324	8123	2163	10438	7548	2572	10400	7516	2993	9984	7212	3119	9360	6757	3371	8944	6453	3497	
	19	27	7634	5573	1566	11718	8554	2191	10831	7907	2601	10816	7896	3024	10400	7592	3150	9776	7136	3371	9360	6833	3497	
	22	30	8464	5512	1566	12998	8482	2191	12013	7835	2601	11960	7820	3056	11544	7516	3182	10400	7288	3497	9672	7136	3686	
	24	32	9045	5512	1589	13884	8482	2219	12801	7835	2631	12792	7820	3056	12272	7516	3213	10816	7440	3591	9880	7364	3812	
(1.5+2.5+3.5) + (1.5+1.8+2.5)	12	18	7020	4816	1520	9434	7619	2141	8731	7033	2524	8692	7042	2944	8374	6732	3072	7844	6345	3296	7526	6036	3424	
	14	20	7020	4816	1520	10137	7619	2141	9434	7107	2554	9328	7042	2976	9010	6809	3104	8374	6345	3328	8056	6113	3488	
	16	22	7020	5124	1543	10839	7619	2170	10036	7107	2583	9964	7042	3008	9646	6809	3168	9010	6345	3392	8692	6113	3520	
	18	25	7527	5495	1567	11542	8279	2198	10638	7693	2613	10600	7661	3040	10176	7351	3168	9540	6887	3424	9116	6577	3552	
	19	27	7781	5680	1591	11943	8718	2226	11040	8059	2643	11024	8048	3072	10600	7738	3200	9964	7274	3424	9540	6964	3552	
	22	30	8627	5618	1591	13248	8645	2226	12244	7986	2643	12190	7970	3104	11766	7661	3232	10600	7428	3552	9858	7274	3744	
	24	32	9219	5618	1615	14151	8645	2254	13047	7986	2672	13038	7970	3104	12508	7661	3264	11024	7583	3648	10070	7506	3872	
(1.5+2.5+3.5) + (1.5+1.8+3.5)	12	18	7020	4816	1520	9434	7619	2141	8731	7033	2524	8692	7042	2944	8374	6732	3072	7844	6345	3296	7526	6036	3424	
	14	20	7020	4816	1520	10137	7619	2141	9434	7107	2554	9328	7042	2976	9010	6809	3104	8374	6345	3328	8056	6113	3488	
	16	22	7020	5124	1543	10839	7619	2170	10036	7107	2583	9964	7042	3008	9646	6809	3168	9010	6345	3392	8692	6113	3520	
	18	25	7527	5495	1567	11542	8279	2198	10638	7693	2613	10600	7661	3040	10176	7351	3168	9540	6887	3424	9116	6577	3552	
	19	27	7781	5680	1591	11943	8718	2226	11040	8059	2643	11024	8048	3072	10600	7738	3200	9964	7274	3424	9540	6964	3552	
	22	30	8627	5618	1591	13248	8645	2226	12244	7986	2643	12190	7970	3104	11766	7661	3232	10600	7428	3552	9858	7274	3744	
	24	32	9219	5618	1615	14151	8645	2254	13047	7986	2672	13038	7970	3104	12508	7661	3264	11024	7583	3648	10070	7506	3872	
(1.5+2.5+3.5) + (1.5+1.8+5.0)	12	18	7020	4816	1520	9434	7619	2141	8731	7033	2524	8692	7042	2944	8374	6732	3072	7844	6345	3296	7526	6036	3424	
	14	20	7020	4816	1520	10137	7619	2141	9434	7107	2554	9328	7042	2976	9010	6809	3104	8374	6345	3328	8056	6113	3488	
	16	22	7020	5124	1543	10839	7619	2170	10036	7107	2583	9964	7042	3008	9646	6809	3168	9010	6345	3392	8692	6113	3520	
	18	25	7527	5495	1567	11542	8279	2198	10638	7693	2613	10600	7661	3040	10176	7351	3168	9540	6887	3424	9116	6577	3552	
	19	27	7781	5680	1591	11943	8718	2226	11040	8059	2643	11024	8048	3072	10600	7738	3200	9964	7274	3424	9540	6964	3552	
	22	30	8627	5618	1591	13248	8645	2226	12244	7986	2643	12190	7970	3104	11766	7661	3232	10600	7428	3552	9858	7274	3744	
	24	32	9219	5618	1615	14151	8645	2254	13047	7986	2672	13038	7970	3104	12508	7661	3264	11024	7583	3648	10070	7506	3872	

	INDOOR		OUTDOOR TEMPERATURE (°CDB)																				
	EWB	EDB	-10			21			27			32			35			40			43		
	°C	°C	TC	SHC	PI	TC	SHC	PI	TC	SHC	PI	TC	SHC	PI	TC	SHC	PI	TC	SHC	PI	TC	SHC	PI
(1.5+2.5+3.5) + (1.5+2.5+2.5)	12	18	7020	4816	1520	9434	7619	2141	8731	7033	2524	8692	7042	2944	8374	6732	3072	7844	6345	3296	7526	6036	3424
	14	20	7020	4816	1520	10137	7619	2141	9434	7107	2554	9328	7042	2976	9010	6809	3104	8374	6345	3328	8056	6113	3488
	16	22	7020	5124	1543	10839	7619	2170	10036	7107	2583	9964	7042	3008	9646	6809	3168	9010	6345	3392	8692	6113	3520
	18	25	7527	5495	1567	11542	8279	2198	10638	7693	2613	10600	7661	3040	10176	7351	3168	9540	6887	3424	9116	6577	3552
	19	27	7781	5680	1591	11943	8718	2226	11040	8059	2643	11024	8048	3072	10600	7738	3200	9964	7274	3424	9540	6964	3552
	22	30	8627	5618	1591	13248	8645	2226	12244	7986	2643	12190	7970	3104	11766	7661	3232	10600	7428	3552	9858	7274	3744
	24	32	9219	5618	1615	14151	8645	2254	13047	7986	2672	13038	7970	3104	12508	7661	3264	11024	7583	3648	10070	7506	3872
(1.5+2.5+3.5) + (1.5+2.5+3.5)	12	18	7020	4816	1520	9434	7619	2141	8731	7033	2524	8692	7042	2944	8374	6732	3072	7844	6345	3296	7526	6036	3424
	14	20	7020	4816	1520	10137	7619	2141	9434	7107	2554	9328	7042	2976	9010	6809	3104	8374	6345	3328	8056	6113	3488
	16	22	7020	5124	1543	10839	7619	2170	10036	7107	2583	9964	7042	3008	9646	6809	3168	9010	6345	3392	8692	6113	3520
	18	25	7527	5495	1567	11542	8279	2198	10638	7693	2613	10600	7661	3040	10176	7351	3168	9540	6887	3424	9116	6577	3552
	19	27	7781	5680	1591	11943	8718	2226	11040	8059	2643	11024	8048	3072	10600	7738	3200	9964	7274	3424	9540	6964	3552
	22	30	8627	5618	1591	13248	8645	2226	12244	7986	2643	12190	7970	3104	11766	7661	3232	10600	7428	3552	9858	7274	3744
	24	32	9219	5618	1615	14151	8645	2254	13047	7986	2672	13038	7970	3104	12508	7661	3264	11024	7583	3648	10070	7506	3872
(1.5+2.5+3.5) + (1.5+3.5+3.5)	12	18	7020	4816	1520	9434	7619	2141	8731	7033	2524	8692	7042	2944	8374	6732	3072	7844	6345	3296	7526	6036	3424
	14	20	7020	4816	1520	10137	7619	2141	9434	7107	2554	9328	7042	2976	9010	6809	3104	8374	6345	3328	8056	6113	3488
	16	22	7020	5124	1543	10839	7619	2170	10036	7107	2583	9964	7042	3008	9646	6809	3168	9010	6345	3392	8692	6113	3520
	18	25	7527	5495	1567	11542	8279	2198	10638	7693	2613	10600	7661	3040	10176	7351	3168	9540	6887	3424	9116	6577	3552
	19	27	7781	5680	1591	11943	8718	2226	11040	8059	2643	11024	8048	3072	10600	7738	3200	9964	7274	3424	9540	6964	3552
	22	30	8627	5618	1591	13248	8645	2226	12244	7986	2643	12190	7970	3104	11766	7661	3232	10600	7428	3552	9858	7274	3744
	24	32	9219	5618	1615	14151	8645	2254	13047	7986	2672	13038	7970	3104	12508	7661	3264	11024	7583	3648	10070	7506	3872
(1.5+2.5+3.5) + (1.8+1.8+1.8)	12	18	7020	4816	1520	9434	7619	2141	8731	7033	2524	8692	7042	2944	8374	6732	3072	7844	6345	3296	7526	6036	3424
	14	20	7020	4816	1520	10137	7619	2141	9434	7107	2554	9328	7042	2976	9010	6809	3104	8374	6345	3328	8056	6113	3488
	16	22	7020	5124	1543	10839	7619	2170	10036	7107	2583	9964	7042	3008	9646	6809	3168	9010	6345	3392	8692	6113	3520
	18	25	7527	5495	1567	11542	8279	2198	10638	7693	2613	10600	7661	3040	10176	7351	3168	9540	6887	3424	9116	6577	3552
	19	27	7781	5680	1591	11943	8718	2226	11040	8059	2643	11024	8048	3072	10600	7738	3200	9964	7274	3424	9540	6964	3552
	22	30	8627	5618	1591	13248	8645	2226	12244	7986	2643	12190	7970	3104	11766	7661	3232	10600	7428	3552	9858	7274	3744
	24	32	9219	5618	1615	14151	8645	2254	13047	7986	2672	13038	7970	3104	12508	7661	3264	11024	7583	3648	10070	7506	3872
(1.5+2.5+3.5) + (1.8+1.8+2.5)	12	18	7020	4816	1520	9434	7619	2141	8731	7033	2524	8692	7042	2944	8374	6732	3072	7844	6345	3296	7526	6036	3424
	14	20	7020	4816	1520	10137	7619	2141	9434	7107	2554	9328	7042	2976	9010	6809	3104	8374	6345	3328	8056	6113	3488
	16	22	7020	5124	1543	10839	7619	2170	10036	7107	2583	9964	7042	3008	9646	6809	3168	9010	6345	3392	8692	6113	3520
	18	25	7527	5495	1567	11542	8279	2198	10638	7693	2613	10600	7661	3040	10176	7351	3168	9540	6887	3424	9116	6577	3552
	19	27	7781	5680	1591	11943	8718	2226	11040	8059	2643	11024	8048	3072	10600	7738	3200	9964	7274	3424	9540	6964	3552
	22	30	8627	5618	1591	13248	8645	2226	12244	7986	2643	12190	7970	3104	11766	7661	3232	10600	7428	3552	9858	7274	3744
	24	32	9219	5618	1615	14151	8645	2254	13047	7986	2672	13038	7970	3104	12508	7661	3264	11024	7583	3648	10070	7506	3872
(1.5+2.5+3.5) + (1.8+1.8+3.5)	12	18	7020	4816	1520	9434	7619	2141	8731	7033	2524	8692	7042	2944	8374	6732	3072	7844	6345	3296	7526	6036	3424
	14	20	7020	4816	1520	10137	7619	2141	9434	7107	2554	9328	7042	2976	9010	6809	3104	8374	6345	3328	8056	6113	3488
	16	22	7020	5124	1543	10839	7619	2170	10036	7107	2583	9964	7042	3008	9646	6809	3168	9010	6345	3392	8692	6113	3520
	18	25	7527	5495	1567	11542	8279	2198	10638	7693	2613	10600	7661	3040	10176	7351	3168	9540	6887	3424	9116	6577	3552
	19	27	7781	5680	1591	11943	8718	2226	11040	8059	2643	11024	8048	3072	10600	7738	3200	9964	7274	3424	9540	6964	3552
	22	30	8627	5618	1591	13248	8645	2226	12244	7986	2643	12190	7970	3104	11766	7661	3232	10600	7428	3552	9858	7274	3744
	24	32	9219	5618	1615	14151	8645	2254	13047	7986	2672	13038	7970	3104	12508	7661	3264	11024	7583	3648	10070	7506	3872

		INDOOR		OUTDOOR TEMPERATURE (°CDB)																				
		EWB	EDB	-10			21			27			32			35			40			43		
		°C	°C	TC	SHC	PI	TC	SHC	PI	TC	SHC	PI	TC	SHC	PI	TC	SHC	PI	TC	SHC	PI	TC	SHC	PI
(1.5+2.5+3.5) + (1.8+1.8+5.0)	12	18	7020	4816	1520	9434	7619	2141	8731	7033	2524	8692	7042	2944	8374	6732	3072	7844	6345	3296	7526	6036	3424	
	14	20	7020	4816	1520	10137	7619	2141	9434	7107	2554	9328	7042	2976	9010	6809	3104	8374	6345	3328	8056	6113	3488	
	16	22	7020	5124	1543	10839	7619	2170	10036	7107	2583	9964	7042	3008	9646	6809	3168	9010	6345	3392	8692	6113	3520	
	18	25	7527	5495	1567	11542	8279	2198	10638	7693	2613	10600	7661	3040	10176	7351	3168	9540	6887	3424	9116	6577	3552	
	19	27	7781	5680	1591	11943	8718	2226	11040	8059	2643	11024	8048	3072	10600	7738	3200	9964	7274	3424	9540	6964	3552	
	22	30	8627	5618	1591	13248	8645	2226	12244	7986	2643	12190	7970	3104	11766	7661	3232	10600	7428	3552	9858	7274	3744	
	24	32	9219	5618	1615	14151	8645	2254	13047	7986	2672	13038	7970	3104	12508	7661	3264	11024	7583	3648	10070	7506	3872	
(1.5+2.5+3.5) + (1.8+2.5+2.5)	12	18	7020	4816	1520	9434	7619	2141	8731	7033	2524	8692	7042	2944	8374	6732	3072	7844	6345	3296	7526	6036	3424	
	14	20	7020	4816	1520	10137	7619	2141	9434	7107	2554	9328	7042	2976	9010	6809	3104	8374	6345	3328	8056	6113	3488	
	16	22	7020	5124	1543	10839	7619	2170	10036	7107	2583	9964	7042	3008	9646	6809	3168	9010	6345	3392	8692	6113	3520	
	18	25	7527	5495	1567	11542	8279	2198	10638	7693	2613	10600	7661	3040	10176	7351	3168	9540	6887	3424	9116	6577	3552	
	19	27	7781	5680	1591	11943	8718	2226	11040	8059	2643	11024	8048	3072	10600	7738	3200	9964	7274	3424	9540	6964	3552	
	22	30	8627	5618	1591	13248	8645	2226	12244	7986	2643	12190	7970	3104	11766	7661	3232	10600	7428	3552	9858	7274	3744	
	24	32	9219	5618	1615	14151	8645	2254	13047	7986	2672	13038	7970	3104	12508	7661	3264	11024	7583	3648	10070	7506	3872	
(1.5+2.5+3.5) + (1.8+2.5+3.5)	12	18	7020	4816	1520	9434	7619	2141	8731	7033	2524	8692	7042	2944	8374	6732	3072	7844	6345	3296	7526	6036	3424	
	14	20	7020	4816	1520	10137	7619	2141	9434	7107	2554	9328	7042	2976	9010	6809	3104	8374	6345	3328	8056	6113	3488	
	16	22	7020	5124	1543	10839	7619	2170	10036	7107	2583	9964	7042	3008	9646	6809	3168	9010	6345	3392	8692	6113	3520	
	18	25	7527	5495	1567	11542	8279	2198	10638	7693	2613	10600	7661	3040	10176	7351	3168	9540	6887	3424	9116	6577	3552	
	19	27	7781	5680	1591	11943	8718	2226	11040	8059	2643	11024	8048	3072	10600	7738	3200	9964	7274	3424	9540	6964	3552	
	22	30	8627	5618	1591	13248	8645	2226	12244	7986	2643	12190	7970	3104	11766	7661	3232	10600	7428	3552	9858	7274	3744	
	24	32	9219	5618	1615	14151	8645	2254	13047	7986	2672	13038	7970	3104	12508	7661	3264	11024	7583	3648	10070	7506	3872	
(1.5+2.5+3.5) + (2.5+2.5+2.5)	12	18	7020	4816	1520	9434	7619	2141	8731	7033	2524	8692	7042	2944	8374	6732	3072	7844	6345	3296	7526	6036	3424	
	14	20	7020	4816	1520	10137	7619	2141	9434	7107	2554	9328	7042	2976	9010	6809	3104	8374	6345	3328	8056	6113	3488	
	16	22	7020	5124	1543	10839	7619	2170	10036	7107	2583	9964	7042	3008	9646	6809	3168	9010	6345	3392	8692	6113	3520	
	18	25	7527	5495	1567	11542	8279	2198	10638	7693	2613	10600	7661	3040	10176	7351	3168	9540	6887	3424	9116	6577	3552	
	19	27	7781	5680	1591	11943	8718	2226	11040	8059	2643	11024	8048	3072	10600	7738	3200	9964	7274	3424	9540	6964	3552	
	22	30	8627	5618	1591	13248	8645	2226	12244	7986	2643	12190	7970	3104	11766	7661	3232	10600	7428	3552	9858	7274	3744	
	24	32	9219	5618	1615	14151	8645	2254	13047	7986	2672	13038	7970	3104	12508	7661	3264	11024	7583	3648	10070	7506	3872	
(1.5+2.5+3.5) + (2.5+2.5+3.5)	12	18	7020	4816	1520	9434	7619	2141	8731	7033	2524	8692	7042	2944	8374	6732	3072	7844	6345	3296	7526	6036	3424	
	14	20	7020	4816	1520	10137	7619	2141	9434	7107	2554	9328	7042	2976	9010	6809	3104	8374	6345	3328	8056	6113	3488	
	16	22	7020	5124	1543	10839	7619	2170	10036	7107	2583	9964	7042	3008	9646	6809	3168	9010	6345	3392	8692	6113	3520	
	18	25	7527	5495	1567	11542	8279	2198	10638	7693	2613	10600	7661	3040	10176	7351	3168	9540	6887	3424	9116	6577	3552	
	19	27	7781	5680	1591	11943	8718	2226	11040	8059	2643	11024	8048	3072	10600	7738	3200	9964	7274	3424	9540	6964	3552	
	22	30	8627	5618	1591	13248	8645	2226	12244	7986	2643	12190	7970	3104	11766	7661	3232	10600	7428	3552	9858	7274	3744	
	24	32	9219	5618	1615	14151	8645	2254	13047	7986	2672	13038	7970	3104	12508	7661	3264	11024	7583	3648	10070	7506	3872	

		INDOOR		OUTDOOR TEMPERATURE (°CDB)																				
		EWB	EDB	-10			21			27			32			35			40			43		
		°C	°C	TC	SHC	PI	TC	SHC	PI	TC	SHC	PI	TC	SHC	PI	TC	SHC	PI	TC	SHC	PI	TC	SHC	PI
(1.5+3.5+3.5) + (1.5+1.5+1.5)	12	18	6490	4452	1410	8722	7044	1988	8072	6503	2342	8036	6510	2732	7742	6224	2851	7252	5866	3059	6958	5580	3178	
	14	20	6490	4452	1410	9372	7044	1988	8722	6570	2370	8624	6510	2762	8330	6296	2881	7742	5866	3089	7448	5652	3237	
	16	22	6490	4738	1432	10021	7044	2014	9279	6570	2398	9212	6510	2792	8918	6296	2940	8330	5866	3148	8036	5652	3267	
	18	25	6959	5080	1455	10671	7654	2040	9835	7112	2425	9800	7082	2822	9408	6796	2940	8820	6367	3178	8428	6081	3297	
	19	27	7194	5251	1477	11042	8060	2066	10207	7451	2453	10192	7440	2851	9800	7154	2970	9212	6725	3178	8820	6439	3297	
	22	30	7976	5194	1477	12248	7993	2066	11320	7383	2453	11270	7369	2881	10878	7082	3000	9800	6868	3297	9114	6725	3475	
	24	32	8523	5194	1499	13083	7993	2092	12062	7383	2480	12054	7369	2881	11564	7082	3029	10192	7011	3386	9310	6939	3594	
(1.5+3.5+3.5) + (1.5+1.5+1.8)	12	18	6689	4589	1458	8989	7260	2054	8320	6702	2421	8282	6709	2824	7979	6415	2947	7474	6046	3162	7171	5751	3285	
	14	20	6689	4589	1458	9658	7260	2054	8989	6771	2450	8888	6709	2855	8585	6488	2978	7979	6046	3193	7676	5825	3346	
	16	22	6689	4883	1481	10328	7260	2081	9563	6771	2478	9494	6709	2886	9191	6488	3039	8585	6046	3254	8282	5825	3377	
	18	25	7172	5236	1503	10997	7888	2109	10137	7330	2507	10100	7299	2917	9696	7004	3039	9090	6562	3285	8686	6267	3408	
	19	27	7414	5412	1526	11380	8307	2136	10519	7679	2535	10504	7668	2947	10100	7373	3070	9494	6931	3285	9090	6636	3408	
	22	30	8220	5353	1526	12623	8237	2136	11667	7609	2535	11615	7594	2978	11211	7299	3101	10100	7078	3408	9393	6931	3592	
	24	32	8784	5353	1549	13484	8237	2163	12432	7609	2564	12423	7594	2978	11918	7299	3131	10504	7226	3500	9595	7152	3715	
(1.5+3.5+3.5) + (1.5+1.5+2.5)	12	18	7020	4816	1520	9434	7619	2141	8731	7033	2524	8692	7042	2944	8374	6732	3072	7844	6345	3296	7526	6036	3424	
	14	20	7020	4816	1520	10137	7619	2141	9434	7107	2554	9328	7042	2976	9010	6809	3104	8374	6345	3328	8056	6113	3488	
	16	22	7020	5124	1543	10839	7619	2170	10036	7107	2583	9964	7042	3008	9646	6809	3168	9010	6345	3392	8692	6113	3520	
	18	25	7527	5495	1567	11542	8279	2198	10638	7693	2613	10600	7661	3040	10176	7351	3168	9540	6887	3424	9116	6577	3552	
	19	27	7781	5680	1591	11943	8718	2226	11040	8059	2643	11024	8048	3072	10600	7738	3200	9964	7274	3424	9540	6964	3552	
	22	30	8627	5618	1591	13248	8645	2226	12244	7986	2643	12190	7970	3104	11766	7661	3232	10600	7428	3552	9858	7274	3744	
	24	32	9219	5618	1615	14151	8645	2254	13047	7986	2672	13038	7970	3104	12508	7661	3264	11024	7583	3648	10070	7506	3872	
(1.5+3.5+3.5) + (1.5+1.5+3.5)	12	18	7020	4816	1520	9434	7619	2141	8731	7033	2524	8692	7042	2944	8374	6732	3072	7844	6345	3296	7526	6036	3424	
	14	20	7020	4816	1520	10137	7619	2141	9434	7107	2554	9328	7042	2976	9010	6809	3104	8374	6345	3328	8056	6113	3488	
	16	22	7020	5124	1543	10839	7619	2170	10036	7107	2583	9964	7042	3008	9646	6809	3168	9010	6345	3392	8692	6113	3520	
	18	25	7527	5495	1567	11542	8279	2198	10638	7693	2613	10600	7661	3040	10176	7351	3168	9540	6887	3424	9116	6577	3552	
	19	27	7781	5680	1591	11943	8718	2226	11040	8059	2643	11024	8048	3072	10600	7738	3200	9964	7274	3424	9540	6964	3552	
	22	30	8627	5618	1591	13248	8645	2226	12244	7986	2643	12190	7970	3104	11766	7661	3232	10600	7428	3552	9858	7274	3744	
	24	32	9219	5618	1615	14151	8645	2254	13047	7986	2672	13038	7970	3104	12508	7661	3264	11024	7583	3648	10070	7506	3872	
(1.5+3.5+3.5) + (1.5+1.5+5.0)	12	18	7020	4816	1520	9434	7619	2141	8731	7033	2524	8692	7042	2944	8374	6732	3072	7844	6345	3296	7526	6036	3424	
	14	20	7020	4816	1520	10137	7619	2141	9434	7107	2554	9328	7042	2976	9010	6809	3104	8374	6345	3328	8056	6113	3488	
	16	22	7020	5124	1543	10839	7619	2170	10036	7107	2583	9964	7042	3008	9646	6809	3168	9010	6345	3392	8692	6113	3520	
	18	25	7527	5495	1567	11542	8279	2198	10638	7693	2613	10600	7661	3040	10176	7351	3168	9540	6887	3424	9116	6577	3552	
	19	27	7781	5680	1591	11943	8718	2226	11040	8059	2643	11024	8048	3072	10600	7738	3200	9964	7274	3424	9540	6964	3552	
	22	30	8627	5618	1591	13248	8645	2226	12244	7986	2643	12190	7970	3104	11766	7661	3232	10600	7428	3552	9858	7274	3744	
	24	32	9219	5618	1615	14151	8645	2254	13047	7986	2672	13038	7970	3104	12508	7661	3264	11024	7583	3648	10070	7506	3872	
(1.5+3.5+3.5) + (1.5+1.8+1.8)	12	18	6887	4725	1496	9256	7476	2108	8567	6901	2484	8528	6909	2898	8216	6605	3024	7696	6225	3245	7384	5922	3371	
	14	20	6887	4725	1496	9945	7476	2108	9256	6973	2514	9152	6909	2930	8840	6681	3056	8216	6225	3276	7904	5998	3434	
	16	22	6887	5028	1519	10635	7476	2136	9847	6973	2543	9776	6909	2961	9464	6681	3119	8840	6225	3339	8528	5998	3465	
	18	25	7385	5391	1543	11324	8123	2163	10438	7548	2572	10400	7516	2993	9984	7212	3119	9360	6757	3371	8944	6453	3497	
	19	27	7634	5573	1566	11718	8554	2191	10831	7907	2601	10816	7896	3024	10400	7592	3150	9776	7136	3371	9360	6833	3497	
	22	30	8464	5512	1566	12998	8482	2191	12013	7835	2601	11960	7820	3056	11544	7516	3182	10400	7288	3497	9672	7136	3686	
	24	32	9045	5512	1589	13884	8482	2219	12801	7835	2631	12792	7820	3056	12272	7516	3213	10816	7440	3591	9880	7364	3812	

		INDOOR		OUTDOOR TEMPERATURE (°CDB)																				
		EWB	EDB	-10			21			27			32			35			40			43		
		°C	°C	TC	SHC	PI	TC	SHC	PI	TC	SHC	PI	TC	SHC	PI	TC	SHC	PI	TC	SHC	PI	TC	SHC	PI
(1.5+3.5+3.5) + (1.5+1.8+2.5)	12	18	7020	4816	1520	9434	7619	2141	8731	7033	2524	8692	7042	2944	8374	6732	3072	7844	6345	3296	7526	6036	3424	
	14	20	7020	4816	1520	10137	7619	2141	9434	7107	2554	9328	7042	2976	9010	6809	3104	8374	6345	3328	8056	6113	3488	
	16	22	7020	5124	1543	10839	7619	2170	10036	7107	2583	9964	7042	3008	9646	6809	3168	9010	6345	3392	8692	6113	3520	
	18	25	7527	5495	1567	11542	8279	2198	10638	7693	2613	10600	7661	3040	10176	7351	3168	9540	6887	3424	9116	6577	3552	
	19	27	7781	5680	1591	11943	8718	2226	11040	8059	2643	11024	8048	3072	10600	7738	3200	9964	7274	3424	9540	6964	3552	
	22	30	8627	5618	1591	13248	8645	2226	12244	7986	2643	12190	7970	3104	11766	7661	3232	10600	7428	3552	9858	7274	3744	
	24	32	9219	5618	1615	14151	8645	2254	13047	7986	2672	13038	7970	3104	12508	7661	3264	11024	7583	3648	10070	7506	3872	
(1.5+3.5+3.5) + (1.5+1.8+3.5)	12	18	7020	4816	1520	9434	7619	2141	8731	7033	2524	8692	7042	2944	8374	6732	3072	7844	6345	3296	7526	6036	3424	
	14	20	7020	4816	1520	10137	7619	2141	9434	7107	2554	9328	7042	2976	9010	6809	3104	8374	6345	3328	8056	6113	3488	
	16	22	7020	5124	1543	10839	7619	2170	10036	7107	2583	9964	7042	3008	9646	6809	3168	9010	6345	3392	8692	6113	3520	
	18	25	7527	5495	1567	11542	8279	2198	10638	7693	2613	10600	7661	3040	10176	7351	3168	9540	6887	3424	9116	6577	3552	
	19	27	7781	5680	1591	11943	8718	2226	11040	8059	2643	11024	8048	3072	10600	7738	3200	9964	7274	3424	9540	6964	3552	
	22	30	8627	5618	1591	13248	8645	2226	12244	7986	2643	12190	7970	3104	11766	7661	3232	10600	7428	3552	9858	7274	3744	
	24	32	9219	5618	1615	14151	8645	2254	13047	7986	2672	13038	7970	3104	12508	7661	3264	11024	7583	3648	10070	7506	3872	
(1.5+3.5+3.5) + (1.5+1.8+5.0)	12	18	7020	4816	1520	9434	7619	2141	8731	7033	2524	8692	7042	2944	8374	6732	3072	7844	6345	3296	7526	6036	3424	
	14	20	7020	4816	1520	10137	7619	2141	9434	7107	2554	9328	7042	2976	9010	6809	3104	8374	6345	3328	8056	6113	3488	
	16	22	7020	5124	1543	10839	7619	2170	10036	7107	2583	9964	7042	3008	9646	6809	3168	9010	6345	3392	8692	6113	3520	
	18	25	7527	5495	1567	11542	8279	2198	10638	7693	2613	10600	7661	3040	10176	7351	3168	9540	6887	3424	9116	6577	3552	
	19	27	7781	5680	1591	11943	8718	2226	11040	8059	2643	11024	8048	3072	10600	7738	3200	9964	7274	3424	9540	6964	3552	
	22	30	8627	5618	1591	13248	8645	2226	12244	7986	2643	12190	7970	3104	11766	7661	3232	10600	7428	3552	9858	7274	3744	
	24	32	9219	5618	1615	14151	8645	2254	13047	7986	2672	13038	7970	3104	12508	7661	3264	11024	7583	3648	10070	7506	3872	
(1.5+3.5+3.5) + (1.5+2.5+2.5)	12	18	7020	4816	1520	9434	7619	2141	8731	7033	2524	8692	7042	2944	8374	6732	3072	7844	6345	3296	7526	6036	3424	
	14	20	7020	4816	1520	10137	7619	2141	9434	7107	2554	9328	7042	2976	9010	6809	3104	8374	6345	3328	8056	6113	3488	
	16	22	7020	5124	1543	10839	7619	2170	10036	7107	2583	9964	7042	3008	9646	6809	3168	9010	6345	3392	8692	6113	3520	
	18	25	7527	5495	1567	11542	8279	2198	10638	7693	2613	10600	7661	3040	10176	7351	3168	9540	6887	3424	9116	6577	3552	
	19	27	7781	5680	1591	11943	8718	2226	11040	8059	2643	11024	8048	3072	10600	7738	3200	9964	7274	3424	9540	6964	3552	
	22	30	8627	5618	1591	13248	8645	2226	12244	7986	2643	12190	7970	3104	11766	7661	3232	10600	7428	3552	9858	7274	3744	
	24	32	9219	5618	1615	14151	8645	2254	13047	7986	2672	13038	7970	3104	12508	7661	3264	11024	7583	3648	10070	7506	3872	
(1.5+3.5+3.5) + (1.5+2.5+3.5)	12	18	7020	4816	1520	9434	7619	2141	8731	7033	2524	8692	7042	2944	8374	6732	3072	7844	6345	3296	7526	6036	3424	
	14	20	7020	4816	1520	10137	7619	2141	9434	7107	2554	9328	7042	2976	9010	6809	3104	8374	6345	3328	8056	6113	3488	
	16	22	7020	5124	1543	10839	7619	2170	10036	7107	2583	9964	7042	3008	9646	6809	3168	9010	6345	3392	8692	6113	3520	
	18	25	7527	5495	1567	11542	8279	2198	10638	7693	2613	10600	7661	3040	10176	7351	3168	9540	6887	3424	9116	6577	3552	
	19	27	7781	5680	1591	11943	8718	2226	11040	8059	2643	11024	8048	3072	10600	7738	3200	9964	7274	3424	9540	6964	3552	
	22	30	8627	5618	1591	13248	8645	2226	12244	7986	2643	12190	7970	3104	11766	7661	3232	10600	7428	3552	9858	7274	3744	
	24	32	9219	5618	1615	14151	8645	2254	13047	7986	2672	13038	7970	3104	12508	7661	3264	11024	7583	3648	10070	7506	3872	
(1.5+3.5+3.5) + (1.5+3.5+3.5)	12	18	7020	4816	1520	9434	7619	2141	8731	7033	2524	8692	7042	2944	8374	6732	3072	7844	6345	3296	7526	6036	3424	
	14	20	7020	4816	1520	10137	7619	2141	9434	7107	2554	9328	7042	2976	9010	6809	3104	8374	6345	3328	8056	6113	3488	
	16	22	7020	5124	1543	10839	7619	2170	10036	7107	2583	9964	7042	3008	9646	6809	3168	9010	6345	3392	8692	6113	3520	
	18	25	7527	5495	1567	11542	8279	2198	10638	7693	2613	10600	7661	3040	10176	7351	3168	9540	6887	3424	9116	6577	3552	
	19	27	7781	5680	1591	11943	8718	2226	11040	8059	2643	11024	8048	3072	10600	7738	3200	9964	7274	3424	9540	6964	3552	
	22	30	8627	5618	1591	13248	8645	2226	12244	7986	2643	12190	7970	3104	11766	7661	3232	10600	7428	3552	9858	7274	3744	
	24	32	9219	5618	1615	14151	8645	2254	13047	7986	2672	13038	7970	3104	12508	7661	3264	11024	7583	3648	10070	7506	3872	

INDOOR		OUTDOOR TEMPERATURE (°CDB)																						
		EWB	EDB	-10			21			27			32			35			40			43		
				°C	°C	TC	SHC	PI	TC	SHC	PI	TC	SHC	PI	TC	SHC	PI	TC	SHC	PI	TC	SHC	PI	
(1.5+3.5+3.5) + (1.8+1.8+1.8)	12	18	7020	4816	1520	9434	7619	2141	8731	7033	2524	8692	7042	2944	8374	6732	3072	7844	6345	3296	7526	6036	3424	
	14	20	7020	4816	1520	10137	7619	2141	9434	7107	2554	9328	7042	2976	9010	6809	3104	8374	6345	3328	8056	6113	3488	
	16	22	7020	5124	1543	10839	7619	2170	10036	7107	2583	9964	7042	3008	9646	6809	3168	9010	6345	3392	8692	6113	3520	
	18	25	7527	5495	1567	11542	8279	2198	10638	7693	2613	10600	7661	3040	10176	7351	3168	9540	6887	3424	9116	6577	3552	
	19	27	7781	5680	1591	11943	8718	2226	11040	8059	2643	11024	8048	3072	10600	7738	3200	9964	7274	3424	9540	6964	3552	
	22	30	8627	5618	1591	13248	8645	2226	12244	7986	2643	12190	7970	3104	11766	7661	3232	10600	7428	3552	9858	7274	3744	
	24	32	9219	5618	1615	14151	8645	2254	13047	7986	2672	13038	7970	3104	12508	7661	3264	11024	7583	3648	10070	7506	3872	
(1.5+3.5+3.5) + (1.8+1.8+2.5)	12	18	7020	4816	1520	9434	7619	2141	8731	7033	2524	8692	7042	2944	8374	6732	3072	7844	6345	3296	7526	6036	3424	
	14	20	7020	4816	1520	10137	7619	2141	9434	7107	2554	9328	7042	2976	9010	6809	3104	8374	6345	3328	8056	6113	3488	
	16	22	7020	5124	1543	10839	7619	2170	10036	7107	2583	9964	7042	3008	9646	6809	3168	9010	6345	3392	8692	6113	3520	
	18	25	7527	5495	1567	11542	8279	2198	10638	7693	2613	10600	7661	3040	10176	7351	3168	9540	6887	3424	9116	6577	3552	
	19	27	7781	5680	1591	11943	8718	2226	11040	8059	2643	11024	8048	3072	10600	7738	3200	9964	7274	3424	9540	6964	3552	
	22	30	8627	5618	1591	13248	8645	2226	12244	7986	2643	12190	7970	3104	11766	7661	3232	10600	7428	3552	9858	7274	3744	
	24	32	9219	5618	1615	14151	8645	2254	13047	7986	2672	13038	7970	3104	12508	7661	3264	11024	7583	3648	10070	7506	3872	
(1.5+3.5+3.5) + (1.8+1.8+3.5)	12	18	7020	4816	1520	9434	7619	2141	8731	7033	2524	8692	7042	2944	8374	6732	3072	7844	6345	3296	7526	6036	3424	
	14	20	7020	4816	1520	10137	7619	2141	9434	7107	2554	9328	7042	2976	9010	6809	3104	8374	6345	3328	8056	6113	3488	
	16	22	7020	5124	1543	10839	7619	2170	10036	7107	2583	9964	7042	3008	9646	6809	3168	9010	6345	3392	8692	6113	3520	
	18	25	7527	5495	1567	11542	8279	2198	10638	7693	2613	10600	7661	3040	10176	7351	3168	9540	6887	3424	9116	6577	3552	
	19	27	7781	5680	1591	11943	8718	2226	11040	8059	2643	11024	8048	3072	10600	7738	3200	9964	7274	3424	9540	6964	3552	
	22	30	8627	5618	1591	13248	8645	2226	12244	7986	2643	12190	7970	3104	11766	7661	3232	10600	7428	3552	9858	7274	3744	
	24	32	9219	5618	1615	14151	8645	2254	13047	7986	2672	13038	7970	3104	12508	7661	3264	11024	7583	3648	10070	7506	3872	
(1.5+3.5+3.5) + (1.8+1.8+5.0)	12	18	7020	4816	1520	9434	7619	2141	8731	7033	2524	8692	7042	2944	8374	6732	3072	7844	6345	3296	7526	6036	3424	
	14	20	7020	4816	1520	10137	7619	2141	9434	7107	2554	9328	7042	2976	9010	6809	3104	8374	6345	3328	8056	6113	3488	
	16	22	7020	5124	1543	10839	7619	2170	10036	7107	2583	9964	7042	3008	9646	6809	3168	9010	6345	3392	8692	6113	3520	
	18	25	7527	5495	1567	11542	8279	2198	10638	7693	2613	10600	7661	3040	10176	7351	3168	9540	6887	3424	9116	6577	3552	
	19	27	7781	5680	1591	11943	8718	2226	11040	8059	2643	11024	8048	3072	10600	7738	3200	9964	7274	3424	9540	6964	3552	
	22	30	8627	5618	1591	13248	8645	2226	12244	7986	2643	12190	7970	3104	11766	7661	3232	10600	7428	3552	9858	7274	3744	
	24	32	9219	5618	1615	14151	8645	2254	13047	7986	2672	13038	7970	3104	12508	7661	3264	11024	7583	3648	10070	7506	3872	
(1.5+3.5+3.5) + (1.8+2.5+2.5)	12	18	7020	4816	1520	9434	7619	2141	8731	7033	2524	8692	7042	2944	8374	6732	3072	7844	6345	3296	7526	6036	3424	
	14	20	7020	4816	1520	10137	7619	2141	9434	7107	2554	9328	7042	2976	9010	6809	3104	8374	6345	3328	8056	6113	3488	
	16	22	7020	5124	1543	10839	7619	2170	10036	7107	2583	9964	7042	3008	9646	6809	3168	9010	6345	3392	8692	6113	3520	
	18	25	7527	5495	1567	11542	8279	2198	10638	7693	2613	10600	7661	3040	10176	7351	3168	9540	6887	3424	9116	6577	3552	
	19	27	7781	5680	1591	11943	8718	2226	11040	8059	2643	11024	8048	3072	10600	7738	3200	9964	7274	3424	9540	6964	3552	
	22	30	8627	5618	1591	13248	8645	2226	12244	7986	2643	12190	7970	3104	11766	7661	3232	10600	7428	3552	9858	7274	3744	
	24	32	9219	5618	1615	14151	8645	2254	13047	7986	2672	13038	7970	3104	12508	7661	3264	11024	7583	3648	10070	7506	3872	
(1.5+3.5+3.5) + (1.8+2.5+3.5)	12	18	7020	4816	1520	9434	7619	2141	8731	7033	2524	8692	7042	2944	8374	6732	3072	7844	6345	3296	7526	6036	3424	
	14	20	7020	4816	1520	10137	7619	2141	9434	7107	2554	9328	7042	2976	9010	6809	3104	8374	6345	3328	8056	6113	3488	
	16	22	7020	5124	1543	10839	7619	2170	10036	7107	2583	9964	7042	3008	9646	6809	3168	9010	6345	3392	8692	6113	3520	
	18	25	7527	5495	1567	11542	8279	2198	10638	7693	2613	10600	7661	3040	10176	7351	3168	9540	6887	3424	9116	6577	3552	
	19	27	7781	5680	1591	11943	8718	2226	11040	8059	2643	11024	8048	3072	10600	7738	3200	9964	7274	3424	9540	6964	3552	
	22	30	8627	5618	1591	13248	8645	2226	12244	7986	2643	12190	7970	3104	11766	7661	3232	10600	7428	3552	9858	7274	3744	
	24	32	9219	5618	1615	14151	8645	2254	13047	7986	2672	13038	7970	3104	12508	7661	3264	11024	7583	3648	10070	7506	3872	

	INDOOR		OUTDOOR TEMPERATURE (°CDB)																				
	EWB	EDB	-10			21			27			32			35			40			43		
	°C	°C	TC	SHC	PI	TC	SHC	PI	TC	SHC	PI	TC	SHC	PI	TC	SHC	PI	TC	SHC	PI	TC	SHC	PI
(1.5+3.5+3.5) + (1.8+3.5+3.5)	12	18	7020	4816	1520	9434	7619	2141	8731	7033	2524	8692	7042	2944	8374	6732	3072	7844	6345	3296	7526	6036	3424
	14	20	7020	4816	1520	10137	7619	2141	9434	7107	2554	9328	7042	2976	9010	6809	3104	8374	6345	3328	8056	6113	3488
	16	22	7020	5124	1543	10839	7619	2170	10036	7107	2583	9964	7042	3008	9646	6809	3168	9010	6345	3392	8692	6113	3520
	18	25	7527	5495	1567	11542	8279	2198	10638	7693	2613	10600	7661	3040	10176	7351	3168	9540	6887	3424	9116	6577	3552
	19	27	7781	5680	1591	11943	8718	2226	11040	8059	2643	11024	8048	3072	10600	7738	3200	9964	7274	3424	9540	6964	3552
	22	30	8627	5618	1591	13248	8645	2226	12244	7986	2643	12190	7970	3104	11766	7661	3232	10600	7428	3552	9858	7274	3744
(1.5+3.5+3.5) + (2.5+2.5+2.5)	12	18	7020	4816	1520	9434	7619	2141	8731	7033	2524	8692	7042	2944	8374	6732	3072	7844	6345	3296	7526	6036	3424
	14	20	7020	4816	1520	10137	7619	2141	9434	7107	2554	9328	7042	2976	9010	6809	3104	8374	6345	3328	8056	6113	3488
	16	22	7020	5124	1543	10839	7619	2170	10036	7107	2583	9964	7042	3008	9646	6809	3168	9010	6345	3392	8692	6113	3520
	18	25	7527	5495	1567	11542	8279	2198	10638	7693	2613	10600	7661	3040	10176	7351	3168	9540	6887	3424	9116	6577	3552
	19	27	7781	5680	1591	11943	8718	2226	11040	8059	2643	11024	8048	3072	10600	7738	3200	9964	7274	3424	9540	6964	3552
	22	30	8627	5618	1591	13248	8645	2226	12244	7986	2643	12190	7970	3104	11766	7661	3232	10600	7428	3552	9858	7274	3744
(1.5+3.5+3.5) + (2.5+2.5+3.5)	12	18	7020	4816	1520	9434	7619	2141	8731	7033	2524	8692	7042	2944	8374	6732	3072	7844	6345	3296	7526	6036	3424
	14	20	7020	4816	1520	10137	7619	2141	9434	7107	2554	9328	7042	2976	9010	6809	3104	8374	6345	3328	8056	6113	3488
	16	22	7020	5124	1543	10839	7619	2170	10036	7107	2583	9964	7042	3008	9646	6809	3168	9010	6345	3392	8692	6113	3520
	18	25	7527	5495	1567	11542	8279	2198	10638	7693	2613	10600	7661	3040	10176	7351	3168	9540	6887	3424	9116	6577	3552
	19	27	7781	5680	1591	11943	8718	2226	11040	8059	2643	11024	8048	3072	10600	7738	3200	9964	7274	3424	9540	6964	3552
	22	30	8627	5618	1591	13248	8645	2226	12244	7986	2643	12190	7970	3104	11766	7661	3232	10600	7428	3552	9858	7274	3744
(1.8+1.8+1.8) + (1.8+1.8+1.8)	12	18	7020	4816	1520	9434	7619	2141	8731	7033	2524	8692	7042	2944	8374	6732	3072	7844	6345	3296	7526	6036	3424
	14	20	7020	4816	1520	10137	7619	2141	9434	7107	2554	9328	7042	2976	9010	6809	3104	8374	6345	3328	8056	6113	3488
	16	22	7020	5124	1543	10839	7619	2170	10036	7107	2583	9964	7042	3008	9646	6809	3168	9010	6345	3392	8692	6113	3520
	18	25	7527	5495	1567	11542	8279	2198	10638	7693	2613	10600	7661	3040	10176	7351	3168	9540	6887	3424	9116	6577	3552
	19	27	7781	5680	1591	11943	8718	2226	11040	8059	2643	11024	8048	3072	10600	7738	3200	9964	7274	3424	9540	6964	3552
	22	30	8627	5618	1591	13248	8645	2226	12244	7986	2643	12190	7970	3104	11766	7661	3232	10600	7428	3552	9858	7274	3744
(1.8+1.8+1.8) + (1.8+1.8+2.5)	12	18	7020	4816	1520	9434	7619	2141	8731	7033	2524	8692	7042	2944	8374	6732	3072	7844	6345	3296	7526	6036	3424
	14	20	7020	4816	1520	10137	7619	2141	9434	7107	2554	9328	7042	2976	9010	6809	3104	8374	6345	3328	8056	6113	3488
	16	22	7020	5124	1543	10839	7619	2170	10036	7107	2583	9964	7042	3008	9646	6809	3168	9010	6345	3392	8692	6113	3520
	18	25	7527	5495	1567	11542	8279	2198	10638	7693	2613	10600	7661	3040	10176	7351	3168	9540	6887	3424	9116	6577	3552
	19	27	7781	5680	1591	11943	8718	2226	11040	8059	2643	11024	8048	3072	10600	7738	3200	9964	7274	3424	9540	6964	3552
	22	30	8627	5618	1591	13248	8645	2226	12244	7986	2643	12190	7970	3104	11766	7661	3232	10600	7428	3552	9858	7274	3744
(1.8+1.8+1.8) + (1.8+1.8+3.5)	12	18	7020	4816	1520	9434	7619	2141	8731	7033	2524	8692	7042	2944	8374	6732	3072	7844	6345	3296	7526	6036	3424
	14	20	7020	4816	1520	10137	7619	2141	9434	7107	2554	9328	7042	2976	9010	6809	3104	8374	6345	3328	8056	6113	3488
	16	22	7020	5124	1543	10839	7619	2170	10036	7107	2583	9964	7042	3008	9646	6809	3168	9010	6345	3392	8692	6113	3520
	18	25	7527	5495	1567	11542	8279	2198	10638	7693	2613	10600	7661	3040	10176	7351	3168	9540	6887	3424	9116	6577	3552
	19	27	7781	5680	1591	11943	8718	2226	11040	8059	2643	11024	8048	3072	10600	7738	3200	9964	7274	3424	9540	6964	3552
	22	30	8627	5618	1591	13248	8645	2226	12244	7986	2643	12190	7970	3104	11766	7661	3232	10600	7428	3552	9858	7274	3744



		INDOOR		OUTDOOR TEMPERATURE (°CDB)																				
		EWB	EDB	-10			21			27			32			35			40			43		
		°C	°C	TC	SHC	PI	TC	SHC	PI	TC	SHC	PI	TC	SHC	PI	TC	SHC	PI	TC	SHC	PI	TC	SHC	PI
(1.8+1.8+1.8) + (1.8+1.8+5.0)	12	18	7020	4816	1520	9434	7619	2141	8731	7033	2524	8692	7042	2944	8374	6732	3072	7844	6345	3296	7526	6036	3424	
	14	20	7020	4816	1520	10137	7619	2141	9434	7107	2554	9328	7042	2976	9010	6809	3104	8374	6345	3328	8056	6113	3488	
	16	22	7020	5124	1543	10839	7619	2170	10036	7107	2583	9964	7042	3008	9646	6809	3168	9010	6345	3392	8692	6113	3520	
	18	25	7527	5495	1567	11542	8279	2198	10638	7693	2613	10600	7661	3040	10176	7351	3168	9540	6887	3424	9116	6577	3552	
	19	27	7781	5680	1591	11943	8718	2226	11040	8059	2643	11024	8048	3072	10600	7738	3200	9964	7274	3424	9540	6964	3552	
	22	30	8627	5618	1591	13248	8645	2226	12244	7986	2643	12190	7970	3104	11766	7661	3232	10600	7428	3552	9858	7274	3744	
	24	32	9219	5618	1615	14151	8645	2254	13047	7986	2672	13038	7970	3104	12508	7661	3264	11024	7583	3648	10070	7506	3872	
(1.8+1.8+2.5) + (1.8+1.8+2.5)	12	18	7020	4816	1520	9434	7619	2141	8731	7033	2524	8692	7042	2944	8374	6732	3072	7844	6345	3296	7526	6036	3424	
	14	20	7020	4816	1520	10137	7619	2141	9434	7107	2554	9328	7042	2976	9010	6809	3104	8374	6345	3328	8056	6113	3488	
	16	22	7020	5124	1543	10839	7619	2170	10036	7107	2583	9964	7042	3008	9646	6809	3168	9010	6345	3392	8692	6113	3520	
	18	25	7527	5495	1567	11542	8279	2198	10638	7693	2613	10600	7661	3040	10176	7351	3168	9540	6887	3424	9116	6577	3552	
	19	27	7781	5680	1591	11943	8718	2226	11040	8059	2643	11024	8048	3072	10600	7738	3200	9964	7274	3424	9540	6964	3552	
	22	30	8627	5618	1591	13248	8645	2226	12244	7986	2643	12190	7970	3104	11766	7661	3232	10600	7428	3552	9858	7274	3744	
	24	32	9219	5618	1615	14151	8645	2254	13047	7986	2672	13038	7970	3104	12508	7661	3264	11024	7583	3648	10070	7506	3872	
(1.8+1.8+2.5) + (1.8+1.8+3.5)	12	18	7020	4816	1520	9434	7619	2141	8731	7033	2524	8692	7042	2944	8374	6732	3072	7844	6345	3296	7526	6036	3424	
	14	20	7020	4816	1520	10137	7619	2141	9434	7107	2554	9328	7042	2976	9010	6809	3104	8374	6345	3328	8056	6113	3488	
	16	22	7020	5124	1543	10839	7619	2170	10036	7107	2583	9964	7042	3008	9646	6809	3168	9010	6345	3392	8692	6113	3520	
	18	25	7527	5495	1567	11542	8279	2198	10638	7693	2613	10600	7661	3040	10176	7351	3168	9540	6887	3424	9116	6577	3552	
	19	27	7781	5680	1591	11943	8718	2226	11040	8059	2643	11024	8048	3072	10600	7738	3200	9964	7274	3424	9540	6964	3552	
	22	30	8627	5618	1591	13248	8645	2226	12244	7986	2643	12190	7970	3104	11766	7661	3232	10600	7428	3552	9858	7274	3744	
	24	32	9219	5618	1615	14151	8645	2254	13047	7986	2672	13038	7970	3104	12508	7661	3264	11024	7583	3648	10070	7506	3872	
(1.8+1.8+2.5) + (1.8+1.8+5.0)	12	18	7020	4816	1520	9434	7619	2141	8731	7033	2524	8692	7042	2944	8374	6732	3072	7844	6345	3296	7526	6036	3424	
	14	20	7020	4816	1520	10137	7619	2141	9434	7107	2554	9328	7042	2976	9010	6809	3104	8374	6345	3328	8056	6113	3488	
	16	22	7020	5124	1543	10839	7619	2170	10036	7107	2583	9964	7042	3008	9646	6809	3168	9010	6345	3392	8692	6113	3520	
	18	25	7527	5495	1567	11542	8279	2198	10638	7693	2613	10600	7661	3040	10176	7351	3168	9540	6887	3424	9116	6577	3552	
	19	27	7781	5680	1591	11943	8718	2226	11040	8059	2643	11024	8048	3072	10600	7738	3200	9964	7274	3424	9540	6964	3552	
	22	30	8627	5618	1591	13248	8645	2226	12244	7986	2643	12190	7970	3104	11766	7661	3232	10600	7428	3552	9858	7274	3744	
	24	32	9219	5618	1615	14151	8645	2254	13047	7986	2672	13038	7970	3104	12508	7661	3264	11024	7583	3648	10070	7506	3872	
(1.8+1.8+3.5) + (1.8+1.8+3.5)	12	18	7020	4816	1520	9434	7619	2141	8731	7033	2524	8692	7042	2944	8374	6732	3072	7844	6345	3296	7526	6036	3424	
	14	20	7020	4816	1520	10137	7619	2141	9434	7107	2554	9328	7042	2976	9010	6809	3104	8374	6345	3328	8056	6113	3488	
	16	22	7020	5124	1543	10839	7619	2170	10036	7107	2583	9964	7042	3008	9646	6809	3168	9010	6345	3392	8692	6113	3520	
	18	25	7527	5495	1567	11542	8279	2198	10638	7693	2613	10600	7661	3040	10176	7351	3168	9540	6887	3424	9116	6577	3552	
	19	27	7781	5680	1591	11943	8718	2226	11040	8059	2643	11024	8048	3072	10600	7738	3200	9964	7274	3424	9540	6964	3552	
	22	30	8627	5618	1591	13248	8645	2226	12244	7986	2643	12190	7970	3104	11766	7661	3232	10600	7428	3552	9858	7274	3744	
	24	32	9219	5618	1615	14151	8645	2254	13047	7986	2672	13038	7970	3104	12508	7661	3264	11024	7583	3648	10070	7506	3872	
(1.8+1.8+3.5) + (1.8+1.8+5.0)	12	18	7020	4816	1520	9434	7619	2141	8731	7033	2524	8692	7042	2944	8374	6732	3072	7844	6345	3296	7526	6036	3424	
	14	20	7020	4816	1520	10137	7619	2141	9434	7107	2554	9328	7042	2976	9010	6809	3104	8374	6345	3328	8056	6113	3488	
	16	22	7020	5124	1543	10839	7619	2170	10036	7107	2583	9964	7042	3008	9646	6809	3168	9010	6345	3392	8692	6113	3520	
	18	25	7527	5495	1567	11542	8279	2198	10638	7693	2613	10600	7661	3040	10176	7351	3168	9540	6887	3424	9116	6577	3552	
	19	27	7781	5680	1591	11943	8718	2226	11040	8059	2643	11024	8048	3072	10600	7738	3200	9964	7274	3424	9540	6964	3552	
	22	30	8627	5618	1591	13248	8645	2226	12244	7986	2643	12190	7970	3104	11766	7661	3232	10600	7428	3552	9858	7274	3744	
	24	32	9219	5618	1615	14151	8645	2254	13047	7986	2672	13038	7970	3104	12508	7661	3264	11024	7583	3648	10070	7506	3872	

		INDOOR		OUTDOOR TEMPERATURE (°CDB)																				
		EWB	EDB	-10			21			27			32			35			40			43		
		°C	°C	TC	SHC	PI	TC	SHC	PI	TC	SHC	PI	TC	SHC	PI	TC	SHC	PI	TC	SHC	PI	TC	SHC	PI
(1.8+1.8+5.0) + (1.8+1.8+5.0)	12	18	7020	4816	1520	9434	7619	2141	8731	7033	2524	8692	7042	2944	8374	6732	3072	7844	6345	3296	7526	6036	3424	
	14	20	7020	4816	1520	10137	7619	2141	9434	7107	2554	9328	7042	2976	9010	6809	3104	8374	6345	3328	8056	6113	3488	
	16	22	7020	5124	1543	10839	7619	2170	10036	7107	2583	9964	7042	3008	9646	6809	3168	9010	6345	3392	8692	6113	3520	
	18	25	7527	5495	1567	11542	8279	2198	10638	7693	2613	10600	7661	3040	10176	7351	3168	9540	6887	3424	9116	6577	3552	
	19	27	7781	5680	1591	11943	8718	2226	11040	8059	2643	11024	8048	3072	10600	7738	3200	9964	7274	3424	9540	6964	3552	
	22	30	8627	5618	1591	13248	8645	2226	12244	7986	2643	12190	7970	3104	11766	7661	3232	10600	7428	3552	9858	7274	3744	
	24	32	9219	5618	1615	14151	8645	2254	13047	7986	2672	13038	7970	3104	12508	7661	3264	11024	7583	3648	10070	7506	3872	
(1.8+1.8+2.5) + (1.8+2.5+2.5)	12	18	7020	4816	1520	9434	7619	2141	8731	7033	2524	8692	7042	2944	8374	6732	3072	7844	6345	3296	7526	6036	3424	
	14	20	7020	4816	1520	10137	7619	2141	9434	7107	2554	9328	7042	2976	9010	6809	3104	8374	6345	3328	8056	6113	3488	
	16	22	7020	5124	1543	10839	7619	2170	10036	7107	2583	9964	7042	3008	9646	6809	3168	9010	6345	3392	8692	6113	3520	
	18	25	7527	5495	1567	11542	8279	2198	10638	7693	2613	10600	7661	3040	10176	7351	3168	9540	6887	3424	9116	6577	3552	
	19	27	7781	5680	1591	11943	8718	2226	11040	8059	2643	11024	8048	3072	10600	7738	3200	9964	7274	3424	9540	6964	3552	
	22	30	8627	5618	1591	13248	8645	2226	12244	7986	2643	12190	7970	3104	11766	7661	3232	10600	7428	3552	9858	7274	3744	
	24	32	9219	5618	1615	14151	8645	2254	13047	7986	2672	13038	7970	3104	12508	7661	3264	11024	7583	3648	10070	7506	3872	
(1.8+1.8+2.5) + (1.8+2.5+3.5)	12	18	7020	4816	1520	9434	7619	2141	8731	7033	2524	8692	7042	2944	8374	6732	3072	7844	6345	3296	7526	6036	3424	
	14	20	7020	4816	1520	10137	7619	2141	9434	7107	2554	9328	7042	2976	9010	6809	3104	8374	6345	3328	8056	6113	3488	
	16	22	7020	5124	1543	10839	7619	2170	10036	7107	2583	9964	7042	3008	9646	6809	3168	9010	6345	3392	8692	6113	3520	
	18	25	7527	5495	1567	11542	8279	2198	10638	7693	2613	10600	7661	3040	10176	7351	3168	9540	6887	3424	9116	6577	3552	
	19	27	7781	5680	1591	11943	8718	2226	11040	8059	2643	11024	8048	3072	10600	7738	3200	9964	7274	3424	9540	6964	3552	
	22	30	8627	5618	1591	13248	8645	2226	12244	7986	2643	12190	7970	3104	11766	7661	3232	10600	7428	3552	9858	7274	3744	
	24	32	9219	5618	1615	14151	8645	2254	13047	7986	2672	13038	7970	3104	12508	7661	3264	11024	7583	3648	10070	7506	3872	
(1.8+1.8+5.0) + (1.8+2.5+2.5)	12	18	7020	4816	1520	9434	7619	2141	8731	7033	2524	8692	7042	2944	8374	6732	3072	7844	6345	3296	7526	6036	3424	
	14	20	7020	4816	1520	10137	7619	2141	9434	7107	2554	9328	7042	2976	9010	6809	3104	8374	6345	3328	8056	6113	3488	
	16	22	7020	5124	1543	10839	7619	2170	10036	7107	2583	9964	7042	3008	9646	6809	3168	9010	6345	3392	8692	6113	3520	
	18	25	7527	5495	1567	11542	8279	2198	10638	7693	2613	10600	7661	3040	10176	7351	3168	9540	6887	3424	9116	6577	3552	
	19	27	7781	5680	1591	11943	8718	2226	11040	8059	2643	11024	8048	3072	10600	7738	3200	9964	7274	3424	9540	6964	3552	
	22	30	8627	5618	1591	13248	8645	2226	12244	7986	2643	12190	7970	3104	11766	7661	3232	10600	7428	3552	9858	7274	3744	
	24	32	9219	5618	1615	14151	8645	2254	13047	7986	2672	13038	7970	3104	12508	7661	3264	11024	7583	3648	10070	7506	3872	
(1.8+1.8+3.5) + (1.8+2.5+3.5)	12	18	7020	4816	1520	9434	7619	2141	8731	7033	2524	8692	7042	2944	8374	6732	3072	7844	6345	3296	7526	6036	3424	
	14	20	7020	4816	1520	10137	7619	2141	9434	7107	2554	9328	7042	2976	9010	6809	3104	8374	6345	3328	8056	6113	3488	
	16	22	7020	5124	1543	10839	7619	2170	10036	7107	2583	9964	7042	3008	9646	6809	3168	9010	6345	3392	8692	6113	3520	
	18	25	7527	5495	1567	11542	8279	2198	10638	7693	2613	10600	7661	3040	10176	7351	3168	9540	6887	3424	9116	6577	3552	
	19	27	7781	5680	1591	11943	8718	2226	11040	8059	2643	11024	8048	3072	10600	7738	3200	9964	7274	3424	9540	6964	3552	
	22	30	8627	5618	1591	13248	8645	2226	12244	7986	2643	12190	7970	3104	11766	7661	3232	10600	7428	3552	9858	7274	3744	
	24	32	9219	5618	1615	14151	8645	2254	13047	7986	2672	13038	7970	3104	12508	7661	3264	11024	7583	3648	10070	7506	3872	
(1.8+1.8+5.0) + (1.8+2.5+3.5)	12	18	7020	4816	1520	9434	7619	2141	8731	7033	2524	8692	7042	2944	8374	6732	3072	7844	6345	3296	7526	6036	3424	
	14	20	7020	4816	1520	10137	7619	2141	9434	7107	2554	9328	7042	2976	9010	6809	3104	8374	6345	3328	8056	6113	3488	
	16	22	7020	5124	1543	10839	7619	2170	10036	7107	2583	9964	7042	3008	9646	6809	3168	9010	6345	3392	8692	6113	3520	
	18	25	7527	5495	1567	11542	8279	2198	10638	7693	2613	10600	7661	3040	10176	7351	3168	9540	6887	3424	9116	6577	3552	
	19	27	7781	5680	1591	11943	8718	2226	11040	8059	2643	11024	8048	3072	10600	7738	3200	9964	7274	3424	9540	6964	3552	
	22	30	8627	5618	1591	13248	8645	2226	12244	7986	2643	12190	7970	3104	11766	7661	3232	10600	7428	3552	9858	7274	3744	
	24	32	9219	5618	1615	14151	8645	2254	13047	7986	2672	13038	7970	3104	12508	7661	3264	11024	7583	3648	10070	7506	3872	

		INDOOR		OUTDOOR TEMPERATURE (°CDB)																				
		EWB	EDB	-10			21			27			32			35			40			43		
		°C	°C	TC	SHC	PI	TC	SHC	PI	TC	SHC	PI	TC	SHC	PI	TC	SHC	PI	TC	SHC	PI	TC	SHC	PI
(1.8+1.8+3.5) + (1.8+3.5+3.5)	12	18	7020	4816	1520	9434	7619	2141	8731	7033	2524	8692	7042	2944	8374	6732	3072	7844	6345	3296	7526	6036	3424	
	14	20	7020	4816	1520	10137	7619	2141	9434	7107	2554	9328	7042	2976	9010	6809	3104	8374	6345	3328	8056	6113	3488	
	16	22	7020	5124	1543	10839	7619	2170	10036	7107	2583	9964	7042	3008	9646	6809	3168	9010	6345	3392	8692	6113	3520	
	18	25	7527	5495	1567	11542	8279	2198	10638	7693	2613	10600	7661	3040	10176	7351	3168	9540	6887	3424	9116	6577	3552	
	19	27	7781	5680	1591	11943	8718	2226	11040	8059	2643	11024	8048	3072	10600	7738	3200	9964	7274	3424	9540	6964	3552	
	22	30	8627	5618	1591	13248	8645	2226	12244	7986	2643	12190	7970	3104	11766	7661	3232	10600	7428	3552	9858	7274	3744	
	24	32	9219	5618	1615	14151	8645	2254	13047	7986	2672	13038	7970	3104	12508	7661	3264	11024	7583	3648	10070	7506	3872	
(1.8+1.8+5.0) + (1.8+3.5+3.5)	12	18	7020	4816	1520	9434	7619	2141	8731	7033	2524	8692	7042	2944	8374	6732	3072	7844	6345	3296	7526	6036	3424	
	14	20	7020	4816	1520	10137	7619	2141	9434	7107	2554	9328	7042	2976	9010	6809	3104	8374	6345	3328	8056	6113	3488	
	16	22	7020	5124	1543	10839	7619	2170	10036	7107	2583	9964	7042	3008	9646	6809	3168	9010	6345	3392	8692	6113	3520	
	18	25	7527	5495	1567	11542	8279	2198	10638	7693	2613	10600	7661	3040	10176	7351	3168	9540	6887	3424	9116	6577	3552	
	19	27	7781	5680	1591	11943	8718	2226	11040	8059	2643	11024	8048	3072	10600	7738	3200	9964	7274	3424	9540	6964	3552	
	22	30	8627	5618	1591	13248	8645	2226	12244	7986	2643	12190	7970	3104	11766	7661	3232	10600	7428	3552	9858	7274	3744	
	24	32	9219	5618	1615	14151	8645	2254	13047	7986	2672	13038	7970	3104	12508	7661	3264	11024	7583	3648	10070	7506	3872	
(1.8+2.5+2.5) + (1.8+2.5+2.5)	12	18	7020	4816	1520	9434	7619	2141	8731	7033	2524	8692	7042	2944	8374	6732	3072	7844	6345	3296	7526	6036	3424	
	14	20	7020	4816	1520	10137	7619	2141	9434	7107	2554	9328	7042	2976	9010	6809	3104	8374	6345	3328	8056	6113	3488	
	16	22	7020	5124	1543	10839	7619	2170	10036	7107	2583	9964	7042	3008	9646	6809	3168	9010	6345	3392	8692	6113	3520	
	18	25	7527	5495	1567	11542	8279	2198	10638	7693	2613	10600	7661	3040	10176	7351	3168	9540	6887	3424	9116	6577	3552	
	19	27	7781	5680	1591	11943	8718	2226	11040	8059	2643	11024	8048	3072	10600	7738	3200	9964	7274	3424	9540	6964	3552	
	22	30	8627	5618	1591	13248	8645	2226	12244	7986	2643	12190	7970	3104	11766	7661	3232	10600	7428	3552	9858	7274	3744	
	24	32	9219	5618	1615	14151	8645	2254	13047	7986	2672	13038	7970	3104	12508	7661	3264	11024	7583	3648	10070	7506	3872	
(1.8+2.5+2.5) + (1.8+2.5+3.5)	12	18	7020	4816	1520	9434	7619	2141	8731	7033	2524	8692	7042	2944	8374	6732	3072	7844	6345	3296	7526	6036	3424	
	14	20	7020	4816	1520	10137	7619	2141	9434	7107	2554	9328	7042	2976	9010	6809	3104	8374	6345	3328	8056	6113	3488	
	16	22	7020	5124	1543	10839	7619	2170	10036	7107	2583	9964	7042	3008	9646	6809	3168	9010	6345	3392	8692	6113	3520	
	18	25	7527	5495	1567	11542	8279	2198	10638	7693	2613	10600	7661	3040	10176	7351	3168	9540	6887	3424	9116	6577	3552	
	19	27	7781	5680	1591	11943	8718	2226	11040	8059	2643	11024	8048	3072	10600	7738	3200	9964	7274	3424	9540	6964	3552	
	22	30	8627	5618	1591	13248	8645	2226	12244	7986	2643	12190	7970	3104	11766	7661	3232	10600	7428	3552	9858	7274	3744	
	24	32	9219	5618	1615	14151	8645	2254	13047	7986	2672	13038	7970	3104	12508	7661	3264	11024	7583	3648	10070	7506	3872	
(1.8+1.8+5.0) + (2.5+2.5+2.5)	12	18	7020	4816	1520	9434	7619	2141	8731	7033	2524	8692	7042	2944	8374	6732	3072	7844	6345	3296	7526	6036	3424	
	14	20	7020	4816	1520	10137	7619	2141	9434	7107	2554	9328	7042	2976	9010	6809	3104	8374	6345	3328	8056	6113	3488	
	16	22	7020	5124	1543	10839	7619	2170	10036	7107	2583	9964	7042	3008	9646	6809	3168	9010	6345	3392	8692	6113	3520	
	18	25	7527	5495	1567	11542	8279	2198	10638	7693	2613	10600	7661	3040	10176	7351	3168	9540	6887	3424	9116	6577	3552	
	19	27	7781	5680	1591	11943	8718	2226	11040	8059	2643	11024	8048	3072	10600	7738	3200	9964	7274	3424	9540	6964	3552	
	22	30	8627	5618	1591	13248	8645	2226	12244	7986	2643	12190	7970	3104	11766	7661	3232	10600	7428	3552	9858	7274	3744	
	24	32	9219	5618	1615	14151	8645	2254	13047	7986	2672	13038	7970	3104	12508	7661	3264	11024	7583	3648	10070	7506	3872	
(1.8+2.5+3.5) + (1.8+2.5+3.5)	12	18	7020	4816	1520	9434	7619	2141	8731	7033	2524	8692	7042	2944	8374	6732	3072	7844	6345	3296	7526	6036	3424	
	14	20	7020	4816	1520	10137	7619	2141	9434	7107	2554	9328	7042	2976	9010	6809	3104	8374	6345	3328	8056	6113	3488	
	16	22	7020	5124	1543	10839	7619	2170	10036	7107	2583	9964	7042	3008	9646	6809	3168	9010	6345	3392	8692	6113	3520	
	18	25	7527	5495	1567	11542	8279	2198	10638	7693	2613	10600	7661	3040	10176	7351	3168	9540	6887	3424	9116	6577	3552	
	19	27	7781	5680	1591	11943	8718	2226	11040	8059	2643	11024	8048	3072	10600	7738	3200	9964	7274	3424	9540	6964	3552	
	22	30	8627	5618	1591	13248	8645	2226	12244	7986	2643	12190	7970	3104	11766	7661	3232	10600	7428	3552	9858	7274	3744	
	24	32	9219	5618	1615	14151	8645	2254	13047	7986	2672	13038	7970	3104	12508	7661	3264	11024	7583	3648	10070	7506	3872	

		INDOOR		OUTDOOR TEMPERATURE (°CDB)																				
		EWB	EDB	-10			21			27			32			35			40			43		
		°C	°C	TC	SHC	PI	TC	SHC	PI	TC	SHC	PI	TC	SHC	PI	TC	SHC	PI	TC	SHC	PI	TC	SHC	PI
(1.8+1.8+5.0) + (2.5+2.5+3.5)	12	18	7020	4816	1520	9434	7619	2141	8731	7033	2524	8692	7042	2944	8374	6732	3072	7844	6345	3296	7526	6036	3424	
	14	20	7020	4816	1520	10137	7619	2141	9434	7107	2554	9328	7042	2976	9010	6809	3104	8374	6345	3328	8056	6113	3488	
	16	22	7020	5124	1543	10839	7619	2170	10036	7107	2583	9964	7042	3008	9646	6809	3168	9010	6345	3392	8692	6113	3520	
	18	25	7527	5495	1567	11542	8279	2198	10638	7693	2613	10600	7661	3040	10176	7351	3168	9540	6887	3424	9116	6577	3552	
	19	27	7781	5680	1591	11943	8718	2226	11040	8059	2643	11024	8048	3072	10600	7738	3200	9964	7274	3424	9540	6964	3552	
	22	30	8627	5618	1591	13248	8645	2226	12244	7986	2643	12190	7970	3104	11766	7661	3232	10600	7428	3552	9858	7274	3744	
	24	32	9219	5618	1615	14151	8645	2254	13047	7986	2672	13038	7970	3104	12508	7661	3264	11024	7583	3648	10070	7506	3872	
(1.8+2.5+3.5) + (1.8+3.5+3.5)	12	18	7020	4816	1520	9434	7619	2141	8731	7033	2524	8692	7042	2944	8374	6732	3072	7844	6345	3296	7526	6036	3424	
	14	20	7020	4816	1520	10137	7619	2141	9434	7107	2554	9328	7042	2976	9010	6809	3104	8374	6345	3328	8056	6113	3488	
	16	22	7020	5124	1543	10839	7619	2170	10036	7107	2583	9964	7042	3008	9646	6809	3168	9010	6345	3392	8692	6113	3520	
	18	25	7527	5495	1567	11542	8279	2198	10638	7693	2613	10600	7661	3040	10176	7351	3168	9540	6887	3424	9116	6577	3552	
	19	27	7781	5680	1591	11943	8718	2226	11040	8059	2643	11024	8048	3072	10600	7738	3200	9964	7274	3424	9540	6964	3552	
	22	30	8627	5618	1591	13248	8645	2226	12244	7986	2643	12190	7970	3104	11766	7661	3232	10600	7428	3552	9858	7274	3744	
	24	32	9219	5618	1615	14151	8645	2254	13047	7986	2672	13038	7970	3104	12508	7661	3264	11024	7583	3648	10070	7506	3872	
(1.8+3.5+3.5) + (1.8+3.5+3.5)	12	18	7020	4816	1520	9434	7619	2141	8731	7033	2524	8692	7042	2944	8374	6732	3072	7844	6345	3296	7526	6036	3424	
	14	20	7020	4816	1520	10137	7619	2141	9434	7107	2554	9328	7042	2976	9010	6809	3104	8374	6345	3328	8056	6113	3488	
	16	22	7020	5124	1543	10839	7619	2170	10036	7107	2583	9964	7042	3008	9646	6809	3168	9010	6345	3392	8692	6113	3520	
	18	25	7527	5495	1567	11542	8279	2198	10638	7693	2613	10600	7661	3040	10176	7351	3168	9540	6887	3424	9116	6577	3552	
	19	27	7781	5680	1591	11943	8718	2226	11040	8059	2643	11024	8048	3072	10600	7738	3200	9964	7274	3424	9540	6964	3552	
	22	30	8627	5618	1591	13248	8645	2226	12244	7986	2643	12190	7970	3104	11766	7661	3232	10600	7428	3552	9858	7274	3744	
	24	32	9219	5618	1615	14151	8645	2254	13047	7986	2672	13038	7970	3104	12508	7661	3264	11024	7583	3648	10070	7506	3872	
(1.8+2.5+2.5) + (2.5+2.5+2.5)	12	18	7020	4816	1520	9434	7619	2141	8731	7033	2524	8692	7042	2944	8374	6732	3072	7844	6345	3296	7526	6036	3424	
	14	20	7020	4816	1520	10137	7619	2141	9434	7107	2554	9328	7042	2976	9010	6809	3104	8374	6345	3328	8056	6113	3488	
	16	22	7020	5124	1543	10839	7619	2170	10036	7107	2583	9964	7042	3008	9646	6809	3168	9010	6345	3392	8692	6113	3520	
	18	25	7527	5495	1567	11542	8279	2198	10638	7693	2613	10600	7661	3040	10176	7351	3168	9540	6887	3424	9116	6577	3552	
	19	27	7781	5680	1591	11943	8718	2226	11040	8059	2643	11024	8048	3072	10600	7738	3200	9964	7274	3424	9540	6964	3552	
	22	30	8627	5618	1591	13248	8645	2226	12244	7986	2643	12190	7970	3104	11766	7661	3232	10600	7428	3552	9858	7274	3744	
	24	32	9219	5618	1615	14151	8645	2254	13047	7986	2672	13038	7970	3104	12508	7661	3264	11024	7583	3648	10070	7506	3872	
(1.8+2.5+3.5) + (2.5+2.5+2.5)	12	18	7020	4816	1520	9434	7619	2141	8731	7033	2524	8692	7042	2944	8374	6732	3072	7844	6345	3296	7526	6036	3424	
	14	20	7020	4816	1520	10137	7619	2141	9434	7107	2554	9328	7042	2976	9010	6809	3104	8374	6345	3328	8056	6113	3488	
	16	22	7020	5124	1543	10839	7619	2170	10036	7107	2583	9964	7042	3008	9646	6809	3168	9010	6345	3392	8692	6113	3520	
	18	25	7527	5495	1567	11542	8279	2198	10638	7693	2613	10600	7661	3040	10176	7351	3168	9540	6887	3424	9116	6577	3552	
	19	27	7781	5680	1591	11943	8718	2226	11040	8059	2643	11024	8048	3072	10600	7738	3200	9964	7274	3424	9540	6964	3552	
	22	30	8627	5618	1591	13248	8645	2226	12244	7986	2643	12190	7970	3104	11766	7661	3232	10600	7428	3552	9858	7274	3744	
	24	32	9219	5618	1615	14151	8645	2254	13047	7986	2672	13038	7970	3104	12508	7661	3264	11024	7583	3648	10070	7506	3872	
(1.8+2.5+3.5) + (2.5+2.5+3.5)	12	18	7020	4816	1520	9434	7619	2141	8731	7033	2524	8692	7042	2944	8374	6732	3072	7844	6345	3296	7526	6036	3424	
	14	20	7020	4816	1520	10137	7619	2141	9434	7107	2554	9328	7042	2976	9010	6809	3104	8374	6345	3328	8056	6113	3488	
	16	22	7020	5124	1543	10839	7619	2170	10036	7107	2583	9964	7042	3008	9646	6809	3168	9010	6345	3392	8692	6113	3520	
	18	25	7527	5495	1567	11542	8279	2198	10638	7693	2613	10600	7661	3040	10176	7351	3168	9540	6887	3424	9116	6577	3552	
	19	27	7781	5680	1591	11943	8718	2226	11040	8059	2643	11024	8048	3072	10600	7738	3200	9964	7274	3424	9540	6964	3552	
	22	30	8627	5618	1591	13248	8645	2226	12244	7986	2643	12190	7970	3104	11766	7661	3232	10600	7428	3552	9858	7274	3744	
	24	32	9219	5618	1615	14151	8645	2254	13047	7986	2672	13038	7970	3104	12508	7661	3264	11024	7583	3648	10070	7506	3872	

INDOOR		OUTDOOR TEMPERATURE (°CDB)																						
		EWB	EDB	-10			21			27			32			35			40			43		
				°C	°C	TC	SHC	PI	TC	SHC	PI	TC	SHC	PI	TC	SHC	PI	TC	SHC	PI	TC	SHC	PI	
(1.8+3.5+3.5) + (2.5+2.5+3.5)	12	18	7020	4816	1520	9434	7619	2141	8731	7033	2524	8692	7042	2944	8374	6732	3072	7844	6345	3296	7526	6036	3424	
	14	20	7020	4816	1520	10137	7619	2141	9434	7107	2554	9328	7042	2976	9010	6809	3104	8374	6345	3328	8056	6113	3488	
	16	22	7020	5124	1543	10839	7619	2170	10036	7107	2583	9964	7042	3008	9646	6809	3168	9010	6345	3392	8692	6113	3520	
	18	25	7527	5495	1567	11542	8279	2198	10638	7693	2613	10600	7661	3040	10176	7351	3168	9540	6887	3424	9116	6577	3552	
	19	27	7781	5680	1591	11943	8718	2226	11040	8059	2643	11024	8048	3072	10600	7738	3200	9964	7274	3424	9540	6964	3552	
	22	30	8627	5618	1591	13248	8645	2226	12244	7986	2643	12190	7970	3104	11766	7661	3232	10600	7428	3552	9858	7274	3744	
	24	32	9219	5618	1615	14151	8645	2254	13047	7986	2672	13038	7970	3104	12508	7661	3264	11024	7583	3648	10070	7506	3872	
(2.5+2.5+2.5) + (2.5+2.5+2.5)	12	18	7020	4816	1520	9434	7619	2141	8731	7033	2524	8692	7042	2944	8374	6732	3072	7844	6345	3296	7526	6036	3424	
	14	20	7020	4816	1520	10137	7619	2141	9434	7107	2554	9328	7042	2976	9010	6809	3104	8374	6345	3328	8056	6113	3488	
	16	22	7020	5124	1543	10839	7619	2170	10036	7107	2583	9964	7042	3008	9646	6809	3168	9010	6345	3392	8692	6113	3520	
	18	25	7527	5495	1567	11542	8279	2198	10638	7693	2613	10600	7661	3040	10176	7351	3168	9540	6887	3424	9116	6577	3552	
	19	27	7781	5680	1591	11943	8718	2226	11040	8059	2643	11024	8048	3072	10600	7738	3200	9964	7274	3424	9540	6964	3552	
	22	30	8627	5618	1591	13248	8645	2226	12244	7986	2643	12190	7970	3104	11766	7661	3232	10600	7428	3552	9858	7274	3744	
	24	32	9219	5618	1615	14151	8645	2254	13047	7986	2672	13038	7970	3104	12508	7661	3264	11024	7583	3648	10070	7506	3872	
(2.5+2.5+2.5) + (2.5+2.5+3.5)	12	18	7020	4816	1520	9434	7619	2141	8731	7033	2524	8692	7042	2944	8374	6732	3072	7844	6345	3296	7526	6036	3424	
	14	20	7020	4816	1520	10137	7619	2141	9434	7107	2554	9328	7042	2976	9010	6809	3104	8374	6345	3328	8056	6113	3488	
	16	22	7020	5124	1543	10839	7619	2170	10036	7107	2583	9964	7042	3008	9646	6809	3168	9010	6345	3392	8692	6113	3520	
	18	25	7527	5495	1567	11542	8279	2198	10638	7693	2613	10600	7661	3040	10176	7351	3168	9540	6887	3424	9116	6577	3552	
	19	27	7781	5680	1591	11943	8718	2226	11040	8059	2643	11024	8048	3072	10600	7738	3200	9964	7274	3424	9540	6964	3552	
	22	30	8627	5618	1591	13248	8645	2226	12244	7986	2643	12190	7970	3104	11766	7661	3232	10600	7428	3552	9858	7274	3744	
	24	32	9219	5618	1615	14151	8645	2254	13047	7986	2672	13038	7970	3104	12508	7661	3264	11024	7583	3648	10070	7506	3872	
(2.5+2.5+3.5) + (2.5+2.5+3.5)	12	18	7020	4816	1520	9434	7619	2141	8731	7033	2524	8692	7042	2944	8374	6732	3072	7844	6345	3296	7526	6036	3424	
	14	20	7020	4816	1520	10137	7619	2141	9434	7107	2554	9328	7042	2976	9010	6809	3104	8374	6345	3328	8056	6113	3488	
	16	22	7020	5124	1543	10839	7619	2170	10036	7107	2583	9964	7042	3008	9646	6809	3168	9010	6345	3392	8692	6113	3520	
	18	25	7527	5495	1567	11542	8279	2198	10638	7693	2613	10600	7661	3040	10176	7351	3168	9540	6887	3424	9116	6577	3552	
	19	27	7781	5680	1591	11943	8718	2226	11040	8059	2643	11024	8048	3072	10600	7738	3200	9964	7274	3424	9540	6964	3552	
	22	30	8627	5618	1591	13248	8645	2226	12244	7986	2643	12190	7970	3104	11766	7661	3232	10600	7428	3552	9858	7274	3744	
	24	32	9219	5618	1615	14151	8645	2254	13047	7986	2672	13038	7970	3104	12508	7661	3264	11024	7583	3648	10070	7506	3872	

## HEATING [50Hz, 230V]

	INDOOR		OUTDOOR TEMPERATURE (°CDB)																																																																																																																													
	EDB	-15						-10						-7						-5						0						7						10						15																																																																																				
	°C	TC	SHC	PI	TC	SHC	PI	TC	SHC	PI	TC	SHC	PI	TC	SHC	PI	TC	SHC	PI	TC	SHC	PI	TC	SHC	PI	TC	SHC	PI	TC	SHC	PI																																																																																																	
RAM-110NP6B	16	7328	0	2753	8902	0	2827	9847	0	2948	10477	0	3028	12052	0	3389	14256	0	3434	14728	0	3527	15516	0	3701	16	7365	0	2790	8947	0	2864	9897	0	3009	10530	0	3106	12112	0	3474	14328	0	3608	14803	0	3683	15625	0	3720	16	7402	0	2827	8992	0	2902	9947	0	3058	10583	0	3162	12173	0	3534	14400	0	3720	14877	0	3720	15672	0	3720	16	7439	0	2864	9037	0	2939	9996	0	3122	10636	0	3244	12234	0	3620	14429	0	3720	14907	0	3720	15704	0	3720	16	7476	0	2902	9082	0	2976	10046	0	3184	10689	0	3322	12295	0	3705	14458	0	3720	14937	0	3720	15735	0	3720			
	1.5	18	1018	0	451	1236	0	464	1368	0	483	1455	0	497	1674	0	556	1980	0	563	2046	0	578	2155	0	607	18	1023	0	458	1243	0	470	1375	0	493	1462	0	509	1682	0	570	1990	0	592	2056	0	604	2170	0	610	18	1028	0	464	1249	0	476	1381	0	501	1470	0	519	1691	0	580	2000	0	610	2066	0	610	2177	0	610	18	1033	0	470	1255	0	482	1388	0	512	1477	0	532	1699	0	594	2004	0	610	2070	0	610	2181	0	610	18	1038	0	476	1261	0	488	1395	0	522	1485	0	545	1708	0	608	2008	0	610	2075	0	610	2185	0	610		
		1.8	20	1272	0	511	1546	0	524	1710	0	547	1819	0	562	2092	0	629	2475	0	637	2557	0	654	2694	0	687	20	1279	0	518	1553	0	531	1718	0	558	1828	0	576	2103	0	644	2488	0	669	2570	0	683	2713	0	690	20	1285	0	524	1561	0	538	1727	0	567	1837	0	587	2113	0	656	2500	0	690	2583	0	690	2721	0	690	20	1291	0	531	1569	0	545	1735	0	579	1846	0	602	2124	0	671	2505	0	690	2588	0	690	2726	0	690	20	1298	0	538	1577	0	552	1744	0	591	1856	0	616	2135	0	687	2510	0	690	2593	0	690	2732	0	690	
			2.5	22	1985	0	784	2411	0	806	2667	0	840	2838	0	863	3264	0	966	3861	0	978	3989	0	1005	4202	0	1055	22	1995	0	795	2423	0	816	2680	0	858	2852	0	885	3280	0	990	3881	0	1028	4009	0	1049	4232	0	1060	22	2005	0	806	2435	0	827	2694	0	871	2866	0	901	3297	0	1007	3900	0	1060	4029	0	1060	4245	0	1060	22	2015	0	816	2448	0	837	2707	0	890	2881	0	924	3313	0	1031	3908	0	1060	4037	0	1060	4253	0	1060	22	2025	0	827	2460	0	848	2721	0	907	2895	0	947	3330	0	1056	3916	0	1060	4045	0	1060	4262	0	1060
				3.5	24	2443	0	977	2967	0	1003	3282	0	1046	3492	0	1074	4017	0	1203	4752	0	1218	4909	0	1251	5172	0	1313	24	2455	0	990	2982	0	1016	3299	0	1068	3510	0	1102	4037	0	1233	4776	0	1280	4934	0	1307	5208	0	1320	24	2467	0	1003	2997	0	1030	3316	0	1085	3528	0	1122	4058	0	1254	4800	0	1320	4959	0	1320	5224	0	1320	24	2480	0	1016	3012	0	1043	3332	0	1108	3545	0	1151	4078	0	1284	4810	0	1320	4969	0	1320	5235	0	1320	24	2492	0	1030	3027	0	1056	3349	0	1130	3563	0	1179	4098	0	1315	4819	0	1320	4979	0	1320	5245	0
5					16	3308	0	1332	4018	0	1368	4445	0	1426	4729	0	1465	5440	0	1640	6435	0	1661	6648	0	1706	7004	0	1791	16	3324	0	1350	4039	0	1386	4467	0	1456	4753	0	1503	5467	0	1681	6468	0	1746	6682	0	1782	7053	0	1800	16	3341	0	1368	4059	0	1404	4490	0	1480	4777	0	1530	5495	0	1710	6500	0	1800	6715	0	1800	7074	0	1800	16	3358	0	1386	4079	0	1422	4512	0	1511	4801	0	1570	5522	0	1751	6513	0	1800	6729	0	1800	7088	0	1800	16	3375	0	1404	4100	0	1440	4535	0	1540	4825	0	1607	5550	0	1793	6526	0	1800	6742	0	1800	7103	0
	1.5+1.5				18	2036	0	784	2473	0	806	2735	0	840	2910	0	863	3348	0	966	3960	0	978	4091	0	1005	4310	0	1055	18	2046	0	795	2485	0	816	2749	0	858	2925	0	885	3365	0	990	3980	0	1028	4112	0	1049	4340	0	1060	18	2056	0	806	2498	0	827	2763	0	871	2940	0	901	3381	0	1007	4000	0	1060	4133	0	1060	4353	0	1060	18	2066	0	816	2510	0	837	2777	0	890	2954	0	924	3398	0	1031	4008	0	1060	4141	0	1060	4362	0	1060	18	2077	0	827	2523	0	848	2791	0	907	2969	0	947	3415	0	1056	4016	0	1060	4149	0	1060	4371	0
		1.5+1.8			20	2290	0	925	2782	0	950	3077	0	991	3274	0	1018	3766	0	1139	4455	0	1154	4603	0	1185	4849	0	1244	20	2302	0	938	2796	0	963	3093	0	1011	3291	0	1044	3785	0	1168	4478	0	1213	4626	0	1238	4883	0	1250	20	2313	0	950	2810	0	975	3108	0	1028	3307	0	1063	3804	0	1188	4500	0	1250	4649	0	1250	4898	0	1250	20	2325	0	963	2824	0	988	3124	0	1049	3324	0	1090	3823	0	1216	4509	0	1250	4658	0	1250	4907	0	1250	20	2336	0	975	2838	0	1000	3139	0	1070	3340	0	1116	3842	0	1245	4518	0	1250	4668	0	1250	4917	0

EWB : Evaporator Wet Bulb temperature (°C)

EDB : Evaporator Dry Bulb temperature (°C)

(°CDB) : Outdoor Unit Inlet Air Dry Temperature (°C)

TC : Total Capacity (W)

SHC : Sensible Heating Capacity (W)

PI : Power Input (W)

	INDOOR		OUTDOOR TEMPERATURE (°CDB)																							
	EDB	-15			-10			-7			-5			0			7			10			15			
		°C	TC	SHC	PI	TC	SHC	PI	TC	SHC	PI	TC	SHC	PI	TC	SHC	PI	TC	SHC	PI	TC	SHC	PI	TC	SHC	PI
1.5+2.5	16	3002	0	1199	3648	0	1231	4035	0	1284	4293	0	1319	4938	0	1476	5841	0	1495	6035	0	1536	6357	0	1612	
	18	3018	0	1215	3666	0	1247	4055	0	1311	4314	0	1353	4963	0	1513	5871	0	1571	6065	0	1604	6402	0	1620	
	20	3033	0	1231	3684	0	1264	4075	0	1332	4336	0	1377	4988	0	1539	5900	0	1620	6095	0	1620	6421	0	1620	
	22	3048	0	1247	3703	0	1280	4096	0	1360	4358	0	1413	5013	0	1576	5912	0	1620	6108	0	1620	6434	0	1620	
	24	3063	0	1264	3721	0	1296	4116	0	1386	4379	0	1447	5038	0	1614	5924	0	1620	6120	0	1620	6447	0	1620	
1.5+3.5	16	3460	0	1347	4204	0	1383	4650	0	1442	4947	0	1481	5691	0	1658	6732	0	1680	6955	0	1725	7327	0	1811	
	18	3478	0	1365	4225	0	1401	4674	0	1472	4972	0	1520	5720	0	1700	6766	0	1765	6990	0	1802	7379	0	1820	
	20	3495	0	1383	4246	0	1420	4697	0	1496	4997	0	1547	5749	0	1729	6800	0	1820	7025	0	1820	7401	0	1820	
	22	3513	0	1401	4268	0	1438	4721	0	1527	5022	0	1587	5777	0	1771	6814	0	1820	7039	0	1820	7416	0	1820	
	24	3530	0	1420	4289	0	1456	4744	0	1558	5047	0	1625	5806	0	1813	6827	0	1820	7053	0	1820	7430	0	1820	
1.5+5.0	16	3460	0	1347	4204	0	1383	4650	0	1442	4947	0	1481	5691	0	1658	6732	0	1680	6955	0	1725	7327	0	1811	
	18	3478	0	1365	4225	0	1401	4674	0	1472	4972	0	1520	5720	0	1700	6766	0	1765	6990	0	1802	7379	0	1820	
	20	3495	0	1383	4246	0	1420	4697	0	1496	4997	0	1547	5749	0	1729	6800	0	1820	7025	0	1820	7401	0	1820	
	22	3513	0	1401	4268	0	1438	4721	0	1527	5022	0	1587	5777	0	1771	6814	0	1820	7039	0	1820	7416	0	1820	
	24	3530	0	1420	4289	0	1456	4744	0	1558	5047	0	1625	5806	0	1813	6827	0	1820	7053	0	1820	7430	0	1820	
1.8+1.8	16	2544	0	955	3091	0	980	3419	0	1022	3638	0	1050	4185	0	1175	4950	0	1191	5114	0	1223	5387	0	1284	
	18	2557	0	968	3107	0	993	3436	0	1044	3656	0	1077	4206	0	1205	4975	0	1251	5140	0	1277	5425	0	1290	
	20	2570	0	980	3122	0	1006	3454	0	1060	3675	0	1097	4227	0	1226	5000	0	1290	5166	0	1290	5442	0	1290	
	22	2583	0	993	3138	0	1019	3471	0	1083	3693	0	1125	4248	0	1255	5010	0	1290	5176	0	1290	5453	0	1290	
	24	2596	0	1006	3154	0	1032	3488	0	1104	3711	0	1152	4269	0	1285	5020	0	1290	5186	0	1290	5464	0	1290	
1.8+2.5	16	3257	0	1258	3957	0	1292	4377	0	1347	4656	0	1384	5356	0	1549	6336	0	1569	6546	0	1612	6896	0	1692	
	18	3273	0	1275	3977	0	1309	4399	0	1375	4680	0	1420	5383	0	1588	6368	0	1649	6579	0	1683	6945	0	1700	
	20	3290	0	1292	3997	0	1326	4421	0	1397	4703	0	1445	5410	0	1615	6400	0	1700	6612	0	1700	6966	0	1700	
	22	3306	0	1309	4017	0	1343	4443	0	1427	4727	0	1482	5437	0	1654	6413	0	1700	6625	0	1700	6979	0	1700	
	24	3323	0	1326	4037	0	1360	4465	0	1455	4751	0	1518	5464	0	1693	6426	0	1700	6639	0	1700	6993	0	1700	
1.8+3.5	16	3460	0	1369	4204	0	1406	4650	0	1466	4947	0	1506	5691	0	1685	6732	0	1708	6955	0	1754	7327	0	1841	
	18	3478	0	1388	4225	0	1425	4674	0	1497	4972	0	1545	5720	0	1728	6766	0	1795	6990	0	1832	7379	0	1850	
	20	3495	0	1406	4246	0	1443	4697	0	1521	4997	0	1573	5749	0	1758	6800	0	1850	7025	0	1850	7401	0	1850	
	22	3513	0	1425	4268	0	1462	4721	0	1553	5022	0	1613	5777	0	1800	6814	0	1850	7039	0	1850	7416	0	1850	
	24	3530	0	1443	4289	0	1480	4744	0	1583	5047	0	1652	5806	0	1843	6827	0	1850	7053	0	1850	7430	0	1850	
1.8+5.0	16	3460	0	1347	4204	0	1383	4650	0	1442	4947	0	1481	5691	0	1658	6732	0	1680	6955	0	1725	7327	0	1811	
	18	3478	0	1365	4225	0	1401	4674	0	1472	4972	0	1520	5720	0	1700	6766	0	1765	6990	0	1802	7379	0	1820	
	20	3495	0	1383	4246	0	1420	4697	0	1496	4997	0	1547	5749	0	1729	6800	0	1820	7025	0	1820	7401	0	1820	
	22	3513	0	1401	4268	0	1438	4721	0	1527	5022	0	1587	5777	0	1771	6814	0	1820	7039	0	1820	7416	0	1820	
	24	3530	0	1420	4289	0	1456	4744	0	1558	5047	0	1625	5806	0	1813	6827	0	1820	7053	0	1820	7430	0	1820	
2.5+2.5	16	3460	0	1347	4204	0	1383	4650	0	1442	4947	0	1481	5691	0	1658	6732	0	1680	6955	0	1725	7327	0	1811	
	18	3478	0	1365	4225	0	1401	4674	0	1472	4972	0	1520	5720	0	1700	6766	0	1765	6990	0	1802	7379	0	1820	
	20	3495	0	1383	4246	0	1420	4697	0	1496	4997	0	1547	5749	0	1729	6800	0	1820	7025	0	1820	7401	0	1820	
	22	3513	0	1401	4268	0	1438	4721	0	1527	5022	0	1587	5777	0	1771	6814	0	1820	7039	0	1820	7416	0	1820	
	24	3530	0	1420	4289	0	1456	4744	0	1558	5047	0	1625	5806	0	1813	6827	0	1820	7053	0	1820	7430	0	1820	

	INDOOR		OUTDOOR TEMPERATURE (°CDB)																							
			-15			-10			-7			-5			0			7			10			15		
	EDB	°C	TC	SHC	PI	TC	SHC	PI	TC	SHC	PI	TC	SHC	PI	TC	SHC	PI	TC	SHC	PI	TC	SHC	PI	TC	SHC	PI
2.5+3.5	16	3460	0	1347	4204	0	1383	4650	0	1442	4947	0	1481	5691	0	1658	6732	0	1680	6955	0	1725	7327	0	1811	
	18	3478	0	1365	4225	0	1401	4674	0	1472	4972	0	1520	5720	0	1700	6766	0	1765	6990	0	1802	7379	0	1820	
	20	3495	0	1383	4246	0	1420	4697	0	1496	4997	0	1547	5749	0	1729	6800	0	1820	7025	0	1820	7401	0	1820	
	22	3513	0	1401	4268	0	1438	4721	0	1527	5022	0	1587	5777	0	1771	6814	0	1820	7039	0	1820	7416	0	1820	
	24	3530	0	1420	4289	0	1456	4744	0	1558	5047	0	1625	5806	0	1813	6827	0	1820	7053	0	1820	7430	0	1820	
3.5+3.5	16	3460	0	1325	4204	0	1360	4650	0	1418	4947	0	1457	5691	0	1631	6732	0	1652	6955	0	1697	7327	0	1781	
	18	3478	0	1343	4225	0	1378	4674	0	1448	4972	0	1495	5720	0	1672	6766	0	1736	6990	0	1772	7379	0	1790	
	20	3495	0	1360	4246	0	1396	4697	0	1471	4997	0	1522	5749	0	1701	6800	0	1790	7025	0	1790	7401	0	1790	
	22	3513	0	1378	4268	0	1414	4721	0	1502	5022	0	1561	5777	0	1742	6814	0	1790	7039	0	1790	7416	0	1790	
	24	3530	0	1396	4289	0	1432	4744	0	1532	5047	0	1598	5806	0	1783	6827	0	1790	7053	0	1790	7430	0	1790	
2.5+5.0	16	3460	0	1325	4204	0	1360	4650	0	1418	4947	0	1457	5691	0	1631	6732	0	1652	6955	0	1697	7327	0	1781	
	18	3478	0	1343	4225	0	1378	4674	0	1448	4972	0	1495	5720	0	1672	6766	0	1736	6990	0	1772	7379	0	1790	
	20	3495	0	1360	4246	0	1396	4697	0	1471	4997	0	1522	5749	0	1701	6800	0	1790	7025	0	1790	7401	0	1790	
	22	3513	0	1378	4268	0	1414	4721	0	1502	5022	0	1561	5777	0	1742	6814	0	1790	7039	0	1790	7416	0	1790	
	24	3530	0	1396	4289	0	1432	4744	0	1532	5047	0	1598	5806	0	1783	6827	0	1790	7053	0	1790	7430	0	1790	
3.5+5.0	16	3460	0	1325	4204	0	1360	4650	0	1418	4947	0	1457	5691	0	1631	6732	0	1652	6955	0	1697	7327	0	1781	
	18	3478	0	1343	4225	0	1378	4674	0	1448	4972	0	1495	5720	0	1672	6766	0	1736	6990	0	1772	7379	0	1790	
	20	3495	0	1360	4246	0	1396	4697	0	1471	4997	0	1522	5749	0	1701	6800	0	1790	7025	0	1790	7401	0	1790	
	22	3513	0	1378	4268	0	1414	4721	0	1502	5022	0	1561	5777	0	1742	6814	0	1790	7039	0	1790	7416	0	1790	
	24	3530	0	1396	4289	0	1432	4744	0	1532	5047	0	1598	5806	0	1783	6827	0	1790	7053	0	1790	7430	0	1790	
1.5+1.5+1.5	16	3053	0	1243	3709	0	1277	4103	0	1331	4365	0	1368	5021	0	1530	5940	0	1551	6137	0	1593	6465	0	1672	
	18	3069	0	1260	3728	0	1294	4124	0	1359	4387	0	1403	5047	0	1569	5970	0	1630	6168	0	1663	6511	0	1680	
	20	3084	0	1277	3747	0	1310	4144	0	1381	4410	0	1428	5072	0	1596	6000	0	1680	6199	0	1680	6530	0	1680	
	22	3100	0	1294	3766	0	1327	4165	0	1410	4432	0	1465	5098	0	1635	6012	0	1680	6211	0	1680	6543	0	1680	
	24	3115	0	1310	3784	0	1344	4186	0	1438	4454	0	1500	5123	0	1673	6024	0	1680	6224	0	1680	6556	0	1680	
1.5+1.5+1.8	16	3308	0	1288	4018	0	1322	4445	0	1379	4729	0	1416	5440	0	1585	6435	0	1606	6648	0	1650	7004	0	1731	
	18	3324	0	1305	4039	0	1340	4467	0	1408	4753	0	1453	5467	0	1625	6468	0	1688	6682	0	1723	7053	0	1740	
	20	3341	0	1322	4059	0	1357	4490	0	1430	4777	0	1479	5495	0	1653	6500	0	1740	6715	0	1740	7074	0	1740	
	22	3358	0	1340	4079	0	1375	4512	0	1460	4801	0	1517	5522	0	1693	6513	0	1740	6729	0	1740	7088	0	1740	
	24	3375	0	1357	4100	0	1392	4535	0	1489	4825	0	1554	5550	0	1733	6526	0	1740	6742	0	1740	7103	0	1740	
1.5+1.5+2.5	16	3460	0	1332	4204	0	1368	4650	0	1426	4947	0	1465	5691	0	1640	6732	0	1661	6955	0	1706	7327	0	1791	
	18	3478	0	1350	4225	0	1386	4674	0	1456	4972	0	1503	5720	0	1681	6766	0	1746	6990	0	1782	7379	0	1800	
	20	3495	0	1368	4246	0	1404	4697	0	1480	4997	0	1530	5749	0	1710	6800	0	1800	7025	0	1800	7401	0	1800	
	22	3513	0	1386	4268	0	1422	4721	0	1511	5022	0	1570	5777	0	1751	6814	0	1800	7039	0	1800	7416	0	1800	
	24	3530	0	1404	4289	0	1440	4744	0	1540	5047	0	1607	5806	0	1793	6827	0	1800	7053	0	1800	7430	0	1800	
1.5+1.5+3.5	16	3460	0	1332	4204	0	1368	4650	0	1426	4947	0	1465	5691	0	1640	6732	0	1661	6955	0	1706	7327	0	1791	
	18	3478	0	1350	4225	0	1386	4674	0	1456	4972	0	1503	5720	0	1681	6766	0	1746	6990	0	1782	7379	0	1800	
	20	3495	0	1368	4246	0	1404	4697	0	1480	4997	0	1530	5749	0	1710	6800	0	1800	7025	0	1800	7401	0	1800	
	22	3513	0	1386	4268	0	1422	4721	0	1511	5022	0	1570	5777	0	1751	6814	0	1800	7039	0	1800	7416	0	1800	
	24	3530	0	1404	4289	0	1440	4744	0	1540	5047	0	1607	5806	0	1793	6827	0	1800	7053	0	1800	7430	0	1800	







	INDOOR		OUTDOOR TEMPERATURE (°CDB)																							
	EDB	-15			-10			-7			-5			0			7			10			15			
		°C	TC	SHC	PI	TC	SHC	PI	TC	SHC	PI	TC	SHC	PI	TC	SHC	PI	TC	SHC	PI	TC	SHC	PI	TC	SHC	PI
2.5+2.5+3.5	16	3460	0	1332	4204	0	1368	4650	0	1426	4947	0	1465	5691	0	1640	6732	0	1661	6955	0	1706	7327	0	1791	
	18	3478	0	1350	4225	0	1386	4674	0	1456	4972	0	1503	5720	0	1681	6766	0	1746	6990	0	1782	7379	0	1800	
	20	3495	0	1368	4246	0	1404	4697	0	1480	4997	0	1530	5749	0	1710	6800	0	1800	7025	0	1800	7401	0	1800	
	22	3513	0	1386	4268	0	1422	4721	0	1511	5022	0	1570	5777	0	1751	6814	0	1800	7039	0	1800	7416	0	1800	
	24	3530	0	1404	4289	0	1440	4744	0	1540	5047	0	1607	5806	0	1793	6827	0	1800	7053	0	1800	7430	0	1800	
(1.5+1.5) + (1.5+1.5)	16	4071	0	1569	4946	0	1611	5471	0	1680	5821	0	1726	6695	0	1931	7920	0	1957	8182	0	2010	8620	0	2109	
	18	4092	0	1590	4971	0	1632	5498	0	1715	5850	0	1770	6729	0	1980	7960	0	2056	8224	0	2099	8681	0	2120	
	20	4112	0	1611	4996	0	1654	5526	0	1743	5879	0	1802	6763	0	2014	8000	0	2120	8265	0	2120	8707	0	2120	
	22	4133	0	1632	5021	0	1675	5554	0	1779	5909	0	1849	6797	0	2063	8016	0	2120	8282	0	2120	8724	0	2120	
	24	4153	0	1654	5046	0	1696	5581	0	1814	5938	0	1893	6831	0	2112	8032	0	2120	8298	0	2120	8742	0	2120	
(1.5+1.5) + (1.5+1.8)	16	4325	0	1709	5255	0	1756	5813	0	1830	6184	0	1880	7114	0	2104	8415	0	2132	8694	0	2190	9159	0	2298	
	18	4347	0	1733	5281	0	1779	5842	0	1869	6216	0	1929	7150	0	2158	8458	0	2241	8738	0	2287	9223	0	2310	
	20	4369	0	1756	5308	0	1802	5871	0	1899	6247	0	1964	7186	0	2195	8500	0	2310	8782	0	2310	9251	0	2310	
	22	4391	0	1779	5335	0	1825	5901	0	1939	6278	0	2014	7222	0	2248	8517	0	2310	8799	0	2310	9270	0	2310	
	24	4413	0	1802	5361	0	1848	5930	0	1977	6309	0	2063	7258	0	2301	8534	0	2310	8817	0	2310	9288	0	2310	
(1.5+1.5) + (1.5+2.5)	16	5038	0	1983	6120	0	2037	6770	0	2124	7203	0	2182	8285	0	2441	9801	0	2474	10126	0	2541	10667	0	2667	
	18	5063	0	2010	6151	0	2064	6804	0	2168	7239	0	2238	8327	0	2503	9851	0	2600	10177	0	2653	10742	0	2680	
	20	5089	0	2037	6182	0	2090	6838	0	2203	7276	0	2278	8369	0	2546	9900	0	2680	10228	0	2680	10775	0	2680	
	22	5114	0	2064	6213	0	2117	6873	0	2249	7312	0	2337	8411	0	2608	9920	0	2680	10248	0	2680	10796	0	2680	
	24	5140	0	2090	6244	0	2144	6907	0	2294	7348	0	2393	8453	0	2669	9940	0	2680	10269	0	2680	10818	0	2680	
(1.5+1.5) + (1.5+3.5)	16	5496	0	2131	6677	0	2189	7385	0	2282	7858	0	2344	9039	0	2624	10692	0	2658	11046	0	2730	11637	0	2866	
	18	5524	0	2160	6711	0	2218	7423	0	2330	7897	0	2405	9084	0	2690	10746	0	2794	11102	0	2851	11719	0	2880	
	20	5551	0	2189	6744	0	2246	7460	0	2367	7937	0	2448	9130	0	2736	10800	0	2880	11158	0	2880	11754	0	2880	
	22	5579	0	2218	6778	0	2275	7497	0	2417	7977	0	2511	9176	0	2802	10822	0	2880	11180	0	2880	11778	0	2880	
	24	5607	0	2246	6812	0	2304	7535	0	2465	8017	0	2572	9221	0	2868	10843	0	2880	11202	0	2880	11801	0	2880	
(1.5+1.5) + (1.5+5.0)	16	5496	0	2131	6677	0	2189	7385	0	2282	7858	0	2344	9039	0	2624	10692	0	2658	11046	0	2730	11637	0	2866	
	18	5524	0	2160	6711	0	2218	7423	0	2330	7897	0	2405	9084	0	2690	10746	0	2794	11102	0	2851	11719	0	2880	
	20	5551	0	2189	6744	0	2246	7460	0	2367	7937	0	2448	9130	0	2736	10800	0	2880	11158	0	2880	11754	0	2880	
	22	5579	0	2218	6778	0	2275	7497	0	2417	7977	0	2511	9176	0	2802	10822	0	2880	11180	0	2880	11778	0	2880	
	24	5607	0	2246	6812	0	2304	7535	0	2465	8017	0	2572	9221	0	2868	10843	0	2880	11202	0	2880	11801	0	2880	
(1.5+1.5) + (1.8+2.5)	16	5292	0	2042	6430	0	2098	7112	0	2187	7567	0	2247	8704	0	2514	10296	0	2547	10637	0	2616	11206	0	2746	
	18	5319	0	2070	6462	0	2125	7148	0	2233	7605	0	2305	8748	0	2578	10348	0	2677	10691	0	2732	11285	0	2760	
	20	5346	0	2098	6494	0	2153	7184	0	2269	7643	0	2346	8792	0	2622	10400	0	2760	10745	0	2760	11319	0	2760	
	22	5373	0	2125	6527	0	2180	7220	0	2316	7681	0	2407	8836	0	2685	10421	0	2760	10766	0	2760	11342	0	2760	
	24	5399	0	2153	6559	0	2208	7256	0	2362	7720	0	2465	8880	0	2749	10442	0	2760	10788	0	2760	11364	0	2760	
(1.5+1.5) + (1.8+3.5)	16	5496	0	2153	6677	0	2212	7385	0	2306	7858	0	2369	9039	0	2651	10692	0	2686	11046	0	2759	11637	0	2895	
	18	5524	0	2183	6711	0	2241	7423	0	2354	7897	0	2430	9084	0	2718	10746	0	2823	11102	0	2881	11719	0	2910	
	20	5551	0	2212	6744	0	2270	7460	0	2392	7937	0	2474	9130	0	2765	10800	0	2910	11158	0	2910	11754	0	2910	
	22	5579	0	2241	6778	0	2299	7497	0	2442	7977	0	2538	9176	0	2831	10822	0	2910	11180	0	2910	11778	0	2910	
	24	5607	0	2270	6812	0	2328	7535	0	2490	8017	0	2599	9221	0	2898	10843	0	2910	11202	0	2910	11801	0	2910	

	INDOOR		OUTDOOR TEMPERATURE (°CDB)																							
	EDB	-15			-10			-7			-5			0			7			10			15			
		°C	TC	SHC	PI	TC	SHC	PI	TC	SHC	PI	TC	SHC	PI	TC	SHC	PI	TC	SHC	PI	TC	SHC	PI	TC	SHC	PI
(1.5+1.5) + (1.8+5.0)	16	5496	0	2131	6677	0	2189	7385	0	2282	7858	0	2344	9039	0	2624	10692	0	2658	11046	0	2730	11637	0	2866	
	18	5524	0	2160	6711	0	2218	7423	0	2330	7897	0	2405	9084	0	2690	10746	0	2794	11102	0	2851	11719	0	2880	
	20	5551	0	2189	6744	0	2246	7460	0	2367	7937	0	2448	9130	0	2736	10800	0	2880	11158	0	2880	11754	0	2880	
	22	5579	0	2218	6778	0	2275	7497	0	2417	7977	0	2511	9176	0	2802	10822	0	2880	11180	0	2880	11778	0	2880	
	24	5607	0	2246	6812	0	2304	7535	0	2465	8017	0	2572	9221	0	2868	10843	0	2880	11202	0	2880	11801	0	2880	
(1.5+1.5) + (2.5+3.5)	16	5496	0	2131	6677	0	2189	7385	0	2282	7858	0	2344	9039	0	2624	10692	0	2658	11046	0	2730	11637	0	2866	
	18	5524	0	2160	6711	0	2218	7423	0	2330	7897	0	2405	9084	0	2690	10746	0	2794	11102	0	2851	11719	0	2880	
	20	5551	0	2189	6744	0	2246	7460	0	2367	7937	0	2448	9130	0	2736	10800	0	2880	11158	0	2880	11754	0	2880	
	22	5579	0	2218	6778	0	2275	7497	0	2417	7977	0	2511	9176	0	2802	10822	0	2880	11180	0	2880	11778	0	2880	
	24	5607	0	2246	6812	0	2304	7535	0	2465	8017	0	2572	9221	0	2868	10843	0	2880	11202	0	2880	11801	0	2880	
(1.5+1.5) + (2.5+5.0)	16	5496	0	2109	6677	0	2166	7385	0	2258	7858	0	2320	9039	0	2596	10692	0	2631	11046	0	2702	11637	0	2836	
	18	5524	0	2138	6711	0	2195	7423	0	2306	7897	0	2380	9084	0	2662	10746	0	2765	11102	0	2822	11719	0	2850	
	20	5551	0	2166	6744	0	2223	7460	0	2343	7937	0	2423	9130	0	2708	10800	0	2850	11158	0	2850	11754	0	2850	
	22	5579	0	2195	6778	0	2252	7497	0	2392	7977	0	2485	9176	0	2773	10822	0	2850	11180	0	2850	11778	0	2850	
	24	5607	0	2223	6812	0	2280	7535	0	2439	8017	0	2545	9221	0	2839	10843	0	2850	11202	0	2850	11801	0	2850	
(1.5+1.5) + (3.5+5.0)	16	5496	0	2109	6677	0	2166	7385	0	2258	7858	0	2320	9039	0	2596	10692	0	2631	11046	0	2702	11637	0	2836	
	18	5524	0	2138	6711	0	2195	7423	0	2306	7897	0	2380	9084	0	2662	10746	0	2765	11102	0	2822	11719	0	2850	
	20	5551	0	2166	6744	0	2223	7460	0	2343	7937	0	2423	9130	0	2708	10800	0	2850	11158	0	2850	11754	0	2850	
	22	5579	0	2195	6778	0	2252	7497	0	2392	7977	0	2485	9176	0	2773	10822	0	2850	11180	0	2850	11778	0	2850	
	24	5607	0	2223	6812	0	2280	7535	0	2439	8017	0	2545	9221	0	2839	10843	0	2850	11202	0	2850	11801	0	2850	
(1.5+1.8) + (1.5+1.8)	16	4580	0	2109	5564	0	2166	6154	0	2258	6548	0	2320	7532	0	2596	8910	0	2631	9205	0	2702	9697	0	2836	
	18	4603	0	2138	5592	0	2195	6186	0	2306	6581	0	2380	7570	0	2662	8955	0	2765	9252	0	2822	9766	0	2850	
	20	4626	0	2166	5620	0	2223	6217	0	2343	6614	0	2423	7608	0	2708	9000	0	2850	9298	0	2850	9795	0	2850	
	22	4649	0	2195	5648	0	2252	6248	0	2392	6647	0	2485	7646	0	2773	9018	0	2850	9317	0	2850	9815	0	2850	
	24	4672	0	2223	5676	0	2280	6279	0	2439	6680	0	2545	7684	0	2839	9036	0	2850	9335	0	2850	9834	0	2850	
(1.5+1.8) + (1.8+1.8)	16	4834	0	1739	5873	0	1786	6496	0	1862	6912	0	1913	7951	0	2141	9405	0	2169	9717	0	2228	10236	0	2338	
	18	4859	0	1763	5903	0	1810	6529	0	1901	6947	0	1962	7991	0	2195	9453	0	2280	9766	0	2327	10308	0	2350	
	20	4883	0	1786	5932	0	1833	6562	0	1932	6982	0	1998	8031	0	2233	9500	0	2350	9815	0	2350	10339	0	2350	
	22	4908	0	1810	5962	0	1857	6595	0	1972	7017	0	2049	8071	0	2287	9519	0	2350	9834	0	2350	10360	0	2350	
	24	4932	0	1833	5992	0	1880	6628	0	2011	7052	0	2099	8111	0	2341	9538	0	2350	9854	0	2350	10381	0	2350	
(1.5+1.8) + (1.8+2.5)	16	5547	0	2042	6739	0	2098	7454	0	2187	7931	0	2247	9122	0	2514	10791	0	2547	11149	0	2616	11744	0	2746	
	18	5575	0	2070	6773	0	2125	7491	0	2233	7971	0	2305	9168	0	2578	10846	0	2677	11205	0	2732	11828	0	2760	
	20	5603	0	2098	6807	0	2153	7529	0	2269	8011	0	2346	9215	0	2622	10900	0	2760	11261	0	2760	11863	0	2760	
	22	5631	0	2125	6841	0	2180	7567	0	2316	8051	0	2407	9261	0	2685	10922	0	2760	11284	0	2760	11887	0	2760	
	24	5659	0	2153	6875	0	2208	7604	0	2362	8091	0	2465	9307	0	2749	10944	0	2760	11306	0	2760	11911	0	2760	
(1.5+1.8) + (1.8+3.5)	16	5750	0	2153	6986	0	2212	7727	0	2306	8222	0	2369	9457	0	2651	11187	0	2686	11558	0	2759	12175	0	2895	
	18	5779	0	2183	7021	0	2241	7766	0	2354	8263	0	2430	9505	0	2718	11244	0	2823	11616	0	2881	12262	0	2910	
	20	5808	0	2212	7057	0	2270	7805	0	2392	8305	0	2474	9553	0	2765	11300	0	2910	11674	0	2910	12298	0	2910	
	22	5837	0	2241	7092	0	2299	7844	0	2442	8346	0	2538	9600	0	2831	11323	0	2910	11698	0	2910	12323	0	2910	
	24	5867	0	2270	7127	0	2328	7883	0	2490	8388	0	2599	9648	0	2898	11345	0	2910	11721	0	2910	12348	0	2910	

	INDOOR		OUTDOOR TEMPERATURE (°CDB)																							
	EDB	-15			-10			-7			-5			0			7			10			15			
		°C	TC	SHC	PI	TC	SHC	PI	TC	SHC	PI	TC	SHC	PI	TC	SHC	PI	TC	SHC	PI	TC	SHC	PI	TC	SHC	PI
(1.5+1.8) + (1.8+5.0)	16	5750	0	2131	6986	0	2189	7727	0	2282	8222	0	2344	9457	0	2624	11187	0	2658	11558	0	2730	12175	0	2866	
	18	5779	0	2160	7021	0	2218	7766	0	2330	8263	0	2405	9505	0	2690	11244	0	2794	11616	0	2851	12262	0	2880	
	20	5808	0	2189	7057	0	2246	7805	0	2367	8305	0	2448	9553	0	2736	11300	0	2880	11674	0	2880	12298	0	2880	
	22	5837	0	2218	7092	0	2275	7844	0	2417	8346	0	2511	9600	0	2802	11323	0	2880	11698	0	2880	12323	0	2880	
	24	5867	0	2246	7127	0	2304	7883	0	2465	8388	0	2572	9648	0	2868	11345	0	2880	11721	0	2880	12348	0	2880	
(1.5+1.8) + (2.5+2.5)	16	5750	0	2131	6986	0	2189	7727	0	2282	8222	0	2344	9457	0	2624	11187	0	2658	11558	0	2730	12175	0	2866	
	18	5779	0	2160	7021	0	2218	7766	0	2330	8263	0	2405	9505	0	2690	11244	0	2794	11616	0	2851	12262	0	2880	
	20	5808	0	2189	7057	0	2246	7805	0	2367	8305	0	2448	9553	0	2736	11300	0	2880	11674	0	2880	12298	0	2880	
	22	5837	0	2218	7092	0	2275	7844	0	2417	8346	0	2511	9600	0	2802	11323	0	2880	11698	0	2880	12323	0	2880	
	24	5867	0	2246	7127	0	2304	7883	0	2465	8388	0	2572	9648	0	2868	11345	0	2880	11721	0	2880	12348	0	2880	
(1.5+1.8) + (2.5+3.5)	16	5750	0	2131	6986	0	2189	7727	0	2282	8222	0	2344	9457	0	2624	11187	0	2658	11558	0	2730	12175	0	2866	
	18	5779	0	2160	7021	0	2218	7766	0	2330	8263	0	2405	9505	0	2690	11244	0	2794	11616	0	2851	12262	0	2880	
	20	5808	0	2189	7057	0	2246	7805	0	2367	8305	0	2448	9553	0	2736	11300	0	2880	11674	0	2880	12298	0	2880	
	22	5837	0	2218	7092	0	2275	7844	0	2417	8346	0	2511	9600	0	2802	11323	0	2880	11698	0	2880	12323	0	2880	
	24	5867	0	2246	7127	0	2304	7883	0	2465	8388	0	2572	9648	0	2868	11345	0	2880	11721	0	2880	12348	0	2880	
(1.5+1.8) + (2.5+5.0)	16	5750	0	2109	6986	0	2166	7727	0	2258	8222	0	2320	9457	0	2596	11187	0	2631	11558	0	2702	12175	0	2836	
	18	5779	0	2138	7021	0	2195	7766	0	2306	8263	0	2380	9505	0	2662	11244	0	2765	11616	0	2822	12262	0	2850	
	20	5808	0	2166	7057	0	2223	7805	0	2343	8305	0	2423	9553	0	2708	11300	0	2850	11674	0	2850	12298	0	2850	
	22	5837	0	2195	7092	0	2252	7844	0	2392	8346	0	2485	9600	0	2773	11323	0	2850	11698	0	2850	12323	0	2850	
	24	5867	0	2223	7127	0	2280	7883	0	2439	8388	0	2545	9648	0	2839	11345	0	2850	11721	0	2850	12348	0	2850	
(1.5+1.8) + (3.5+3.5)	16	5750	0	2109	6986	0	2166	7727	0	2258	8222	0	2320	9457	0	2596	11187	0	2631	11558	0	2702	12175	0	2836	
	18	5779	0	2138	7021	0	2195	7766	0	2306	8263	0	2380	9505	0	2662	11244	0	2765	11616	0	2822	12262	0	2850	
	20	5808	0	2166	7057	0	2223	7805	0	2343	8305	0	2423	9553	0	2708	11300	0	2850	11674	0	2850	12298	0	2850	
	22	5837	0	2195	7092	0	2252	7844	0	2392	8346	0	2485	9600	0	2773	11323	0	2850	11698	0	2850	12323	0	2850	
	24	5867	0	2223	7127	0	2280	7883	0	2439	8388	0	2545	9648	0	2839	11345	0	2850	11721	0	2850	12348	0	2850	
(1.5+1.8) + (3.5+5.0)	16	5750	0	2109	6986	0	2166	7727	0	2258	8222	0	2320	9457	0	2596	11187	0	2631	11558	0	2702	12175	0	2836	
	18	5779	0	2138	7021	0	2195	7766	0	2306	8263	0	2380	9505	0	2662	11244	0	2765	11616	0	2822	12262	0	2850	
	20	5808	0	2166	7057	0	2223	7805	0	2343	8305	0	2423	9553	0	2708	11300	0	2850	11674	0	2850	12298	0	2850	
	22	5837	0	2195	7092	0	2252	7844	0	2392	8346	0	2485	9600	0	2773	11323	0	2850	11698	0	2850	12323	0	2850	
	24	5867	0	2223	7127	0	2280	7883	0	2439	8388	0	2545	9648	0	2839	11345	0	2850	11721	0	2850	12348	0	2850	
(1.5+2.5) + (1.5+2.5)	16	6005	0	2398	7295	0	2462	8069	0	2567	8585	0	2637	9876	0	2952	11682	0	2991	12069	0	3072	12714	0	3224	
	18	6035	0	2430	7332	0	2495	8110	0	2621	8629	0	2705	9925	0	3026	11741	0	3143	12130	0	3208	12804	0	3240	
	20	6065	0	2462	7369	0	2527	8151	0	2663	8672	0	2754	9975	0	3078	11800	0	3240	12191	0	3240	12843	0	3240	
	22	6096	0	2495	7406	0	2560	8191	0	2719	8715	0	2825	10025	0	3153	11824	0	3240	12215	0	3240	12868	0	3240	
	24	6126	0	2527	7442	0	2592	8232	0	2773	8759	0	2893	10075	0	3227	11847	0	3240	12240	0	3240	12894	0	3240	
(1.5+2.5) + (2.5+2.5)	16	6463	0	2546	7851	0	2614	8685	0	2726	9240	0	2800	10629	0	3134	12573	0	3175	12990	0	3261	13684	0	3423	
	18	6495	0	2580	7891	0	2649	8729	0	2783	9287	0	2872	10683	0	3213	12637	0	3337	13055	0	3406	13781	0	3440	
	20	6528	0	2614	7931	0	2683	8772	0	2828	9333	0	2924	10736	0	3268	12700	0	3440	13121	0	3440	13822	0	3440	
	22	6561	0	2649	7970	0	2718	8816	0	2887	9380	0	3000	10790	0	3347	12725	0	3440	13147	0	3440	13850	0	3440	
	24	6593	0	2683	8010	0	2752	8860	0	2944	9427	0	3072	10844	0	3426	12751	0	3440	13173	0	3440	13877	0	3440	

	INDOOR		OUTDOOR TEMPERATURE (°CDB)																							
	EDB	-15			-10			-7			-5			0			7			10			15			
		°C	TC	SHC	PI	TC	SHC	PI	TC	SHC	PI	TC	SHC	PI	TC	SHC	PI	TC	SHC	PI	TC	SHC	PI	TC	SHC	PI
(1.5+2.5) + (2.5+3.5)	16	6463	0	2546	7851	0	2614	8685	0	2726	9240	0	2800	10629	0	3134	12573	0	3175	12990	0	3261	13684	0	3423	
	18	6495	0	2580	7891	0	2649	8729	0	2783	9287	0	2872	10683	0	3213	12637	0	3337	13055	0	3406	13781	0	3440	
	20	6528	0	2614	7931	0	2683	8772	0	2828	9333	0	2924	10736	0	3268	12700	0	3440	13121	0	3440	13822	0	3440	
	22	6561	0	2649	7970	0	2718	8816	0	2887	9380	0	3000	10790	0	3347	12725	0	3440	13147	0	3440	13850	0	3440	
	24	6593	0	2683	8010	0	2752	8860	0	2944	9427	0	3072	10844	0	3426	12751	0	3440	13173	0	3440	13877	0	3440	
(1.5+2.5) + (2.5+5.0)	16	6463	0	2523	7851	0	2592	8685	0	2702	9240	0	2776	10629	0	3107	12573	0	3147	12990	0	3233	13684	0	3393	
	18	6495	0	2558	7891	0	2626	8729	0	2759	9287	0	2847	10683	0	3185	12637	0	3308	13055	0	3376	13781	0	3410	
	20	6528	0	2592	7931	0	2660	8772	0	2803	9333	0	2899	10736	0	3240	12700	0	3410	13121	0	3410	13822	0	3410	
	22	6561	0	2626	7970	0	2694	8816	0	2862	9380	0	2974	10790	0	3318	12725	0	3410	13147	0	3410	13850	0	3410	
	24	6593	0	2660	8010	0	2728	8860	0	2918	9427	0	3045	10844	0	3396	12751	0	3410	13173	0	3410	13877	0	3410	
(1.5+2.5) + (3.5+3.5)	16	6463	0	2523	7851	0	2592	8685	0	2702	9240	0	2776	10629	0	3107	12573	0	3147	12990	0	3233	13684	0	3393	
	18	6495	0	2558	7891	0	2626	8729	0	2759	9287	0	2847	10683	0	3185	12637	0	3308	13055	0	3376	13781	0	3410	
	20	6528	0	2592	7931	0	2660	8772	0	2803	9333	0	2899	10736	0	3240	12700	0	3410	13121	0	3410	13822	0	3410	
	22	6561	0	2626	7970	0	2694	8816	0	2862	9380	0	2974	10790	0	3318	12725	0	3410	13147	0	3410	13850	0	3410	
	24	6593	0	2660	8010	0	2728	8860	0	2918	9427	0	3045	10844	0	3396	12751	0	3410	13173	0	3410	13877	0	3410	
(1.5+2.5) + (3.5+5.0)	16	6463	0	2523	7851	0	2592	8685	0	2702	9240	0	2776	10629	0	3107	12573	0	3147	12990	0	3233	13684	0	3393	
	18	6495	0	2558	7891	0	2626	8729	0	2759	9287	0	2847	10683	0	3185	12637	0	3308	13055	0	3376	13781	0	3410	
	20	6528	0	2592	7931	0	2660	8772	0	2803	9333	0	2899	10736	0	3240	12700	0	3410	13121	0	3410	13822	0	3410	
	22	6561	0	2626	7970	0	2694	8816	0	2862	9380	0	2974	10790	0	3318	12725	0	3410	13147	0	3410	13850	0	3410	
	24	6593	0	2660	8010	0	2728	8860	0	2918	9427	0	3045	10844	0	3396	12751	0	3410	13173	0	3410	13877	0	3410	
(1.5+3.5) + (1.5+3.5)	16	6921	0	2694	8408	0	2766	9300	0	2884	9895	0	2963	11382	0	3316	13464	0	3360	13910	0	3451	14654	0	3622	
	18	6956	0	2730	8450	0	2803	9347	0	2945	9945	0	3039	11440	0	3400	13532	0	3531	13980	0	3604	14757	0	3640	
	20	6991	0	2766	8493	0	2839	9394	0	2992	9995	0	3094	11497	0	3458	13600	0	3640	14051	0	3640	14802	0	3640	
	22	7026	0	2803	8535	0	2876	9441	0	3055	10045	0	3174	11555	0	3542	13627	0	3640	14079	0	3640	14831	0	3640	
	24	7061	0	2839	8578	0	2912	9488	0	3115	10095	0	3251	11612	0	3625	13654	0	3640	14107	0	3640	14861	0	3640	
(1.5+3.5) + (3.5+3.5)	16	6921	0	2671	8408	0	2744	9300	0	2861	9895	0	2939	11382	0	3289	13464	0	3332	13910	0	3422	14654	0	3592	
	18	6956	0	2708	8450	0	2780	9347	0	2920	9945	0	3014	11440	0	3372	13532	0	3502	13980	0	3574	14757	0	3610	
	20	6991	0	2744	8493	0	2816	9394	0	2967	9995	0	3069	11497	0	3430	13600	0	3610	14051	0	3610	14802	0	3610	
	22	7026	0	2780	8535	0	2852	9441	0	3030	10045	0	3148	11555	0	3513	13627	0	3610	14079	0	3610	14831	0	3610	
	24	7061	0	2816	8578	0	2888	9488	0	3089	10095	0	3224	11612	0	3596	13654	0	3610	14107	0	3610	14861	0	3610	
(1.5+3.5) + (3.5+5.0)	16	6921	0	2671	8408	0	2744	9300	0	2861	9895	0	2939	11382	0	3289	13464	0	3332	13910	0	3422	14654	0	3592	
	18	6956	0	2708	8450	0	2780	9347	0	2920	9945	0	3014	11440	0	3372	13532	0	3502	13980	0	3574	14757	0	3610	
	20	6991	0	2744	8493	0	2816	9394	0	2967	9995	0	3069	11497	0	3430	13600	0	3610	14051	0	3610	14802	0	3610	
	22	7026	0	2780	8535	0	2852	9441	0	3030	10045	0	3148	11555	0	3513	13627	0	3610	14079	0	3610	14831	0	3610	
	24	7061	0	2816	8578	0	2888	9488	0	3089	10095	0	3224	11612	0	3596	13654	0	3610	14107	0	3610	14861	0	3610	
(1.5+5.0) + (1.5+5.0)	16	6921	0	2694	8408	0	2766	9300	0	2884	9895	0	2963	11382	0	3316	13464	0	3360	13910	0	3451	14654	0	3622	
	18	6956	0	2730	8450	0	2803	9347	0	2945	9945	0	3039	11440	0	3400	13532	0	3531	13980	0	3604	14757	0	3640	
	20	6991	0	2766	8493	0	2839	9394	0	2992	9995	0	3094	11497	0	3458	13600	0	3640	14051	0	3640	14802	0	3640	
	22	7026	0	2803	8535	0	2876	9441	0	3055	10045	0	3174	11555	0	3542	13627	0	3640	14079	0	3640	14831	0	3640	
	24	7061	0	2839	8578	0	2912	9488	0	3115	10095	0	3251	11612	0	3625	13654	0	3640	14107	0	3640	14861	0	3640	

	INDOOR		OUTDOOR TEMPERATURE (°CDB)																							
	EDB	-15			-10			-7			-5			0			7			10			15			
		°C	TC	SHC	PI	TC	SHC	PI	TC	SHC	PI	TC	SHC	PI	TC	SHC	PI	TC	SHC	PI	TC	SHC	PI	TC	SHC	PI
(1.8+1.8) + (1.8+1.8)	16	5089	0	1909	6182	0	1961	6838	0	2044	7276	0	2100	8369	0	2350	9900	0	2381	10228	0	2446	10775	0	2567	
	18	5114	0	1935	6213	0	1987	6873	0	2087	7312	0	2154	8411	0	2410	9950	0	2503	10280	0	2554	10851	0	2580	
	20	5140	0	1961	6245	0	2012	6907	0	2121	7349	0	2193	8454	0	2451	10000	0	2580	10331	0	2580	10884	0	2580	
	22	5166	0	1987	6276	0	2038	6942	0	2165	7386	0	2250	8496	0	2510	10020	0	2580	10352	0	2580	10905	0	2580	
	24	5192	0	2012	6307	0	2064	6976	0	2208	7423	0	2304	8538	0	2570	10040	0	2580	10373	0	2580	10927	0	2580	
(1.8+1.8) + (1.8+2.5)	16	5801	0	2213	7048	0	2272	7796	0	2369	8294	0	2434	9541	0	2724	11286	0	2760	11660	0	2835	12283	0	2975	
	18	5831	0	2243	7083	0	2302	7835	0	2419	8336	0	2497	9589	0	2793	11343	0	2900	11719	0	2960	12370	0	2990	
	20	5860	0	2272	7119	0	2332	7874	0	2458	8378	0	2542	9637	0	2841	11400	0	2990	11778	0	2990	12407	0	2990	
	22	5889	0	2302	7155	0	2362	7914	0	2509	8420	0	2607	9685	0	2909	11423	0	2990	11801	0	2990	12432	0	2990	
	24	5918	0	2332	7190	0	2392	7953	0	2559	8462	0	2670	9734	0	2978	11446	0	2990	11825	0	2990	12457	0	2990	
(1.8+2.5) + (1.8+2.5)	16	6514	0	2516	7913	0	2584	8753	0	2694	9313	0	2768	10713	0	3097	12672	0	3138	13092	0	3223	13792	0	3383	
	18	6547	0	2550	7953	0	2618	8797	0	2751	9360	0	2839	10767	0	3176	12736	0	3298	13158	0	3366	13889	0	3400	
	20	6579	0	2584	7993	0	2652	8841	0	2795	9407	0	2890	10821	0	3230	12800	0	3400	13224	0	3400	13931	0	3400	
	22	6612	0	2618	8033	0	2686	8886	0	2853	9454	0	2965	10875	0	3308	12826	0	3400	13251	0	3400	13959	0	3400	
	24	6645	0	2652	8073	0	2720	8930	0	2910	9501	0	3036	10929	0	3386	12851	0	3400	13277	0	3400	13987	0	3400	
(1.8+1.8) + (1.8+3.5)	16	6005	0	2324	7295	0	2386	8069	0	2488	8585	0	2556	9876	0	2861	11682	0	2898	12069	0	2977	12714	0	3124	
	18	6035	0	2355	7332	0	2418	8110	0	2540	8629	0	2622	9925	0	2933	11741	0	3046	12130	0	3109	12804	0	3140	
	20	6065	0	2386	7369	0	2449	8151	0	2581	8672	0	2669	9975	0	2983	11800	0	3140	12191	0	3140	12843	0	3140	
	22	6096	0	2418	7406	0	2481	8191	0	2635	8715	0	2738	10025	0	3055	11824	0	3140	12215	0	3140	12868	0	3140	
	24	6126	0	2449	7442	0	2512	8232	0	2687	8759	0	2804	10075	0	3127	11847	0	3140	12240	0	3140	12894	0	3140	
(1.8+2.5) + (1.8+3.5)	16	6717	0	2627	8161	0	2698	9027	0	2813	9604	0	2890	11047	0	3234	13068	0	3277	13501	0	3365	14223	0	3532	
	18	6751	0	2663	8202	0	2734	9072	0	2872	9652	0	2964	11103	0	3316	13134	0	3444	13569	0	3515	14323	0	3550	
	20	6785	0	2698	8243	0	2769	9118	0	2918	9701	0	3018	11159	0	3373	13200	0	3550	13637	0	3550	14366	0	3550	
	22	6819	0	2734	8284	0	2805	9163	0	2979	9749	0	3096	11215	0	3454	13226	0	3550	13665	0	3550	14395	0	3550	
	24	6853	0	2769	8325	0	2840	9209	0	3038	9798	0	3170	11270	0	3536	13253	0	3550	13692	0	3550	14424	0	3550	
(1.8+1.8) + (1.8+5.0)	16	6005	0	2301	7295	0	2364	8069	0	2464	8585	0	2532	9876	0	2833	11682	0	2871	12069	0	2948	12714	0	3094	
	18	6035	0	2333	7332	0	2395	8110	0	2516	8629	0	2597	9925	0	2905	11741	0	3017	12130	0	3079	12804	0	3110	
	20	6065	0	2364	7369	0	2426	8151	0	2556	8672	0	2644	9975	0	2955	11800	0	3110	12191	0	3110	12843	0	3110	
	22	6096	0	2395	7406	0	2457	8191	0	2610	8715	0	2712	10025	0	3026	11824	0	3110	12215	0	3110	12868	0	3110	
	24	6126	0	2426	7442	0	2488	8232	0	2662	8759	0	2777	10075	0	3098	11847	0	3110	12240	0	3110	12894	0	3110	
(1.8+2.5) + (1.8+5.0)	16	6717	0	2605	8161	0	2675	9027	0	2789	9604	0	2865	11047	0	3207	13068	0	3249	13501	0	3337	14223	0	3502	
	18	6751	0	2640	8202	0	2710	9072	0	2848	9652	0	2939	11103	0	3288	13134	0	3414	13569	0	3485	14323	0	3520	
	20	6785	0	2675	8243	0	2746	9118	0	2893	9701	0	2992	11159	0	3344	13200	0	3520	13637	0	3520	14366	0	3520	
	22	6819	0	2710	8284	0	2781	9163	0	2954	9749	0	3069	11215	0	3425	13226	0	3520	13665	0	3520	14395	0	3520	
	24	6853	0	2746	8325	0	2816	9209	0	3012	9798	0	3143	11270	0	3506	13253	0	3520	13692	0	3520	14424	0	3520	
(1.8+3.5) + (1.8+3.5)	16	6921	0	2738	8408	0	2812	9300	0	2932	9895	0	3012	11382	0	3371	13464	0	3415	13910	0	3508	14654	0	3682	
	18	6956	0	2775	8450	0	2849	9347	0	2993	9945	0	3090	11440	0	3456	13532	0	3589	13980	0	3663	14757	0	3700	
	20	6991	0	2812	8493	0	2886	9394	0	3041	9995	0	3145	11497	0	3515	13600	0	3700	14051	0	3700	14802	0	3700	
	22	7026	0	2849	8535	0	2923	9441	0	3105	10045	0	3226	11555	0	3600	13627	0	3700	14079	0	3700	14831	0	3700	
	24	7061	0	2886	8578	0	2960	9488	0	3166	10095	0	3304	11612	0	3685	13654	0	3700	14107	0	3700	14861	0	3700	

	INDOOR		OUTDOOR TEMPERATURE (°CDB)																							
	EDB	-15			-10			-7			-5			0			7			10			15			
		°C	TC	SHC	PI	TC	SHC	PI	TC	SHC	PI	TC	SHC	PI	TC	SHC	PI	TC	SHC	PI	TC	SHC	PI	TC	SHC	PI
(1.8+3.5) + (1.8+5.0)	16	6921	0	2716	8408	0	2789	9300	0	2908	9895	0	2987	11382	0	3343	13464	0	3387	13910	0	3479	14654	0	3652	
	18	6956	0	2753	8450	0	2826	9347	0	2969	9945	0	3064	11440	0	3428	13532	0	3560	13980	0	3633	14757	0	3670	
	20	6991	0	2789	8493	0	2863	9394	0	3017	9995	0	3120	11497	0	3487	13600	0	3670	14051	0	3670	14802	0	3670	
	22	7026	0	2826	8535	0	2899	9441	0	3080	10045	0	3200	11555	0	3571	13627	0	3670	14079	0	3670	14831	0	3670	
	24	7061	0	2863	8578	0	2936	9488	0	3141	10095	0	3277	11612	0	3655	13654	0	3670	14107	0	3670	14861	0	3670	
(1.8+5.0) + (1.8+5.0)	16	6921	0	2694	8408	0	2766	9300	0	2884	9895	0	2963	11382	0	3316	13464	0	3360	13910	0	3451	14654	0	3622	
	18	6956	0	2730	8450	0	2803	9347	0	2945	9945	0	3039	11440	0	3400	13532	0	3531	13980	0	3604	14757	0	3640	
	20	6991	0	2766	8493	0	2839	9394	0	2992	9995	0	3094	11497	0	3458	13600	0	3640	14051	0	3640	14802	0	3640	
	22	7026	0	2803	8535	0	2876	9441	0	3055	10045	0	3174	11555	0	3542	13627	0	3640	14079	0	3640	14831	0	3640	
	24	7061	0	2839	8578	0	2912	9488	0	3115	10095	0	3251	11612	0	3625	13654	0	3640	14107	0	3640	14861	0	3640	
(1.8+2.5) + (2.5+2.5)	16	6717	0	2605	8161	0	2675	9027	0	2789	9604	0	2865	11047	0	3207	13068	0	3249	13501	0	3337	14223	0	3502	
	18	6751	0	2640	8202	0	2710	9072	0	2848	9652	0	2939	11103	0	3288	13134	0	3414	13569	0	3485	14323	0	3520	
	20	6785	0	2675	8243	0	2746	9118	0	2893	9701	0	2992	11159	0	3344	13200	0	3520	13637	0	3520	14366	0	3520	
	22	6819	0	2710	8284	0	2781	9163	0	2954	9749	0	3069	11215	0	3425	13226	0	3520	13665	0	3520	14395	0	3520	
	24	6853	0	2746	8325	0	2816	9209	0	3012	9798	0	3143	11270	0	3506	13253	0	3520	13692	0	3520	14424	0	3520	
(1.8+5.0) + (2.5+2.5)	16	6921	0	2694	8408	0	2766	9300	0	2884	9895	0	2963	11382	0	3316	13464	0	3360	13910	0	3451	14654	0	3622	
	18	6956	0	2730	8450	0	2803	9347	0	2945	9945	0	3039	11440	0	3400	13532	0	3531	13980	0	3604	14757	0	3640	
	20	6991	0	2766	8493	0	2839	9394	0	2992	9995	0	3094	11497	0	3458	13600	0	3640	14051	0	3640	14802	0	3640	
	22	7026	0	2803	8535	0	2876	9441	0	3055	10045	0	3174	11555	0	3542	13627	0	3640	14079	0	3640	14831	0	3640	
	24	7061	0	2839	8578	0	2912	9488	0	3115	10095	0	3251	11612	0	3625	13654	0	3640	14107	0	3640	14861	0	3640	
(1.8+3.5) + (2.5+2.5)	16	6921	0	2716	8408	0	2789	9300	0	2908	9895	0	2987	11382	0	3343	13464	0	3387	13910	0	3479	14654	0	3652	
	18	6956	0	2753	8450	0	2826	9347	0	2969	9945	0	3064	11440	0	3428	13532	0	3560	13980	0	3633	14757	0	3670	
	20	6991	0	2789	8493	0	2863	9394	0	3017	9995	0	3120	11497	0	3487	13600	0	3670	14051	0	3670	14802	0	3670	
	22	7026	0	2826	8535	0	2899	9441	0	3080	10045	0	3200	11555	0	3571	13627	0	3670	14079	0	3670	14831	0	3670	
	24	7061	0	2863	8578	0	2936	9488	0	3141	10095	0	3277	11612	0	3655	13654	0	3670	14107	0	3670	14861	0	3670	
(1.8+3.5) + (2.5+3.5)	16	6921	0	2716	8408	0	2789	9300	0	2908	9895	0	2987	11382	0	3343	13464	0	3387	13910	0	3479	14654	0	3652	
	18	6956	0	2753	8450	0	2826	9347	0	2969	9945	0	3064	11440	0	3428	13532	0	3560	13980	0	3633	14757	0	3670	
	20	6991	0	2789	8493	0	2863	9394	0	3017	9995	0	3120	11497	0	3487	13600	0	3670	14051	0	3670	14802	0	3670	
	22	7026	0	2826	8535	0	2899	9441	0	3080	10045	0	3200	11555	0	3571	13627	0	3670	14079	0	3670	14831	0	3670	
	24	7061	0	2863	8578	0	2936	9488	0	3141	10095	0	3277	11612	0	3655	13654	0	3670	14107	0	3670	14861	0	3670	
(1.8+5.0) + (2.5+3.5)	16	6921	0	2694	8408	0	2766	9300	0	2884	9895	0	2963	11382	0	3316	13464	0	3360	13910	0	3451	14654	0	3622	
	18	6956	0	2730	8450	0	2803	9347	0	2945	9945	0	3039	11440	0	3400	13532	0	3531	13980	0	3604	14757	0	3640	
	20	6991	0	2766	8493	0	2839	9394	0	2992	9995	0	3094	11497	0	3458	13600	0	3640	14051	0	3640	14802	0	3640	
	22	7026	0	2803	8535	0	2876	9441	0	3055	10045	0	3174	11555	0	3542	13627	0	3640	14079	0	3640	14831	0	3640	
	24	7061	0	2839	8578	0	2912	9488	0	3115	10095	0	3251	11612	0	3625	13654	0	3640	14107	0	3640	14861	0	3640	
(1.8+5.0) + (2.5+5.0)	16	6921	0	2671	8408	0	2744	9300	0	2861	9895	0	2939	11382	0	3289	13464	0	3332	13910	0	3422	14654	0	3592	
	18	6956	0	2708	8450	0	2780	9347	0	2920	9945	0	3014	11440	0	3372	13532	0	3502	13980	0	3574	14757	0	3610	
	20	6991	0	2744	8493	0	2816	9394	0	2967	9995	0	3069	11497	0	3430	13600	0	3610	14051	0	3610	14802	0	3610	
	22	7026	0	2780	8535	0	2852	9441	0	3030	10045	0	3148	11555	0	3513	13627	0	3610	14079	0	3610	14831	0	3610	
	24	7061	0	2816	8578	0	2888	9488	0	3089	10095	0	3224	11612	0	3596	13654	0	3610	14107	0	3610	14861	0	3610	



	INDOOR		OUTDOOR TEMPERATURE (°CDB)																							
	EDB	-15			-10			-7			-5			0			7			10			15			
		°C	TC	SHC	PI	TC	SHC	PI	TC	SHC	PI	TC	SHC	PI	TC	SHC	PI	TC	SHC	PI	TC	SHC	PI	TC	SHC	PI
(1.8+3.5) + (3.5+3.5)	16	6921	0	2694	8408	0	2766	9300	0	2884	9895	0	2963	11382	0	3316	13464	0	3360	13910	0	3451	14654	0	3622	
	18	6956	0	2730	8450	0	2803	9347	0	2945	9945	0	3039	11440	0	3400	13532	0	3531	13980	0	3604	14757	0	3640	
	20	6991	0	2766	8493	0	2839	9394	0	2992	9995	0	3094	11497	0	3458	13600	0	3640	14051	0	3640	14802	0	3640	
	22	7026	0	2803	8535	0	2876	9441	0	3055	10045	0	3174	11555	0	3542	13627	0	3640	14079	0	3640	14831	0	3640	
	24	7061	0	2839	8578	0	2912	9488	0	3115	10095	0	3251	11612	0	3625	13654	0	3640	14107	0	3640	14861	0	3640	
(1.8+5.0) + (3.5+3.5)	16	6921	0	2671	8408	0	2744	9300	0	2861	9895	0	2939	11382	0	3289	13464	0	3332	13910	0	3422	14654	0	3592	
	18	6956	0	2708	8450	0	2780	9347	0	2920	9945	0	3014	11440	0	3372	13532	0	3502	13980	0	3574	14757	0	3610	
	20	6991	0	2744	8493	0	2816	9394	0	2967	9995	0	3069	11497	0	3430	13600	0	3610	14051	0	3610	14802	0	3610	
	22	7026	0	2780	8535	0	2852	9441	0	3030	10045	0	3148	11555	0	3513	13627	0	3610	14079	0	3610	14831	0	3610	
	24	7061	0	2816	8578	0	2888	9488	0	3089	10095	0	3224	11612	0	3596	13654	0	3610	14107	0	3610	14861	0	3610	
(1.8+5.0) + (3.5+5.0)	16	6921	0	2671	8408	0	2744	9300	0	2861	9895	0	2939	11382	0	3289	13464	0	3332	13910	0	3422	14654	0	3592	
	18	6956	0	2708	8450	0	2780	9347	0	2920	9945	0	3014	11440	0	3372	13532	0	3502	13980	0	3574	14757	0	3610	
	20	6991	0	2744	8493	0	2816	9394	0	2967	9995	0	3069	11497	0	3430	13600	0	3610	14051	0	3610	14802	0	3610	
	22	7026	0	2780	8535	0	2852	9441	0	3030	10045	0	3148	11555	0	3513	13627	0	3610	14079	0	3610	14831	0	3610	
	24	7061	0	2816	8578	0	2888	9488	0	3089	10095	0	3224	11612	0	3596	13654	0	3610	14107	0	3610	14861	0	3610	
(2.5+2.5) + (2.5+2.5)	16	6921	0	2694	8408	0	2766	9300	0	2884	9895	0	2963	11382	0	3316	13464	0	3360	13910	0	3451	14654	0	3622	
	18	6956	0	2730	8450	0	2803	9347	0	2945	9945	0	3039	11440	0	3400	13532	0	3531	13980	0	3604	14757	0	3640	
	20	6991	0	2766	8493	0	2839	9394	0	2992	9995	0	3094	11497	0	3458	13600	0	3640	14051	0	3640	14802	0	3640	
	22	7026	0	2803	8535	0	2876	9441	0	3055	10045	0	3174	11555	0	3542	13627	0	3640	14079	0	3640	14831	0	3640	
	24	7061	0	2839	8578	0	2912	9488	0	3115	10095	0	3251	11612	0	3625	13654	0	3640	14107	0	3640	14861	0	3640	
(2.5+2.5) + (2.5+3.5)	16	6921	0	2694	8408	0	2766	9300	0	2884	9895	0	2963	11382	0	3316	13464	0	3360	13910	0	3451	14654	0	3622	
	18	6956	0	2730	8450	0	2803	9347	0	2945	9945	0	3039	11440	0	3400	13532	0	3531	13980	0	3604	14757	0	3640	
	20	6991	0	2766	8493	0	2839	9394	0	2992	9995	0	3094	11497	0	3458	13600	0	3640	14051	0	3640	14802	0	3640	
	22	7026	0	2803	8535	0	2876	9441	0	3055	10045	0	3174	11555	0	3542	13627	0	3640	14079	0	3640	14831	0	3640	
	24	7061	0	2839	8578	0	2912	9488	0	3115	10095	0	3251	11612	0	3625	13654	0	3640	14107	0	3640	14861	0	3640	
(2.5+2.5) + (2.5+5.0)	16	6921	0	2671	8408	0	2744	9300	0	2861	9895	0	2939	11382	0	3289	13464	0	3332	13910	0	3422	14654	0	3592	
	18	6956	0	2708	8450	0	2780	9347	0	2920	9945	0	3014	11440	0	3372	13532	0	3502	13980	0	3574	14757	0	3610	
	20	6991	0	2744	8493	0	2816	9394	0	2967	9995	0	3069	11497	0	3430	13600	0	3610	14051	0	3610	14802	0	3610	
	22	7026	0	2780	8535	0	2852	9441	0	3030	10045	0	3148	11555	0	3513	13627	0	3610	14079	0	3610	14831	0	3610	
	24	7061	0	2816	8578	0	2888	9488	0	3089	10095	0	3224	11612	0	3596	13654	0	3610	14107	0	3610	14861	0	3610	
(2.5+3.5) + (2.5+3.5)	16	6921	0	2694	8408	0	2766	9300	0	2884	9895	0	2963	11382	0	3316	13464	0	3360	13910	0	3451	14654	0	3622	
	18	6956	0	2730	8450	0	2803	9347	0	2945	9945	0	3039	11440	0	3400	13532	0	3531	13980	0	3604	14757	0	3640	
	20	6991	0	2766	8493	0	2839	9394	0	2992	9995	0	3094	11497	0	3458	13600	0	3640	14051	0	3640	14802	0	3640	
	22	7026	0	2803	8535	0	2876	9441	0	3055	10045	0	3174	11555	0	3542	13627	0	3640	14079	0	3640	14831	0	3640	
	24	7061	0	2839	8578	0	2912	9488	0	3115	10095	0	3251	11612	0	3625	13654	0	3640	14107	0	3640	14861	0	3640	
(2.5+5.0) + (2.5+3.5)	16	6921	0	2671	8408	0	2744	9300	0	2861	9895	0	2939	11382	0	3289	13464	0	3332	13910	0	3422	14654	0	3592	
	18	6956	0	2708	8450	0	2780	9347	0	2920	9945	0	3014	11440	0	3372	13532	0	3502	13980	0	3574	14757	0	3610	
	20	6991	0	2744	8493	0	2816	9394	0	2967	9995	0	3069	11497	0	3430	13600	0	3610	14051	0	3610	14802	0	3610	
	22	7026	0	2780	8535	0	2852	9441	0	3030	10045	0	3148	11555	0	3513	13627	0	3610	14079	0	3610	14831	0	3610	
	24	7061	0	2816	8578	0	2888	9488	0	3089	10095	0	3224	11612	0	3596	13654	0	3610	14107	0	3610	14861	0	3610	

	INDOOR		OUTDOOR TEMPERATURE (°CDB)																							
	EDB	-15			-10			-7			-5			0			7			10			15			
		°C	TC	SHC	PI	TC	SHC	PI	TC	SHC	PI	TC	SHC	PI	TC	SHC	PI	TC	SHC	PI	TC	SHC	PI	TC	SHC	PI
(2.5+5.0) + (2.5+5.0)	16	6921	0	2649	8408	0	2721	9300	0	2837	9895	0	2914	11382	0	3261	13464	0	3304	13910	0	3394	14654	0	3562	
	18	6956	0	2685	8450	0	2757	9347	0	2896	9945	0	2989	11440	0	3344	13532	0	3473	13980	0	3544	14757	0	3580	
	20	6991	0	2721	8493	0	2792	9394	0	2943	9995	0	3043	11497	0	3401	13600	0	3580	14051	0	3580	14802	0	3580	
	22	7026	0	2757	8535	0	2828	9441	0	3004	10045	0	3122	11555	0	3483	13627	0	3580	14079	0	3580	14831	0	3580	
	24	7061	0	2792	8578	0	2864	9488	0	3064	10095	0	3197	11612	0	3566	13654	0	3580	14107	0	3580	14861	0	3580	
(2.5+3.5) + (3.5+3.5)	16	6921	0	2671	8408	0	2744	9300	0	2861	9895	0	2939	11382	0	3289	13464	0	3332	13910	0	3422	14654	0	3592	
	18	6956	0	2708	8450	0	2780	9347	0	2920	9945	0	3014	11440	0	3372	13532	0	3502	13980	0	3574	14757	0	3610	
	20	6991	0	2744	8493	0	2816	9394	0	2967	9995	0	3069	11497	0	3430	13600	0	3610	14051	0	3610	14802	0	3610	
	22	7026	0	2780	8535	0	2852	9441	0	3030	10045	0	3148	11555	0	3513	13627	0	3610	14079	0	3610	14831	0	3610	
	24	7061	0	2816	8578	0	2888	9488	0	3089	10095	0	3224	11612	0	3596	13654	0	3610	14107	0	3610	14861	0	3610	
(2.5+5.0) + (3.5+3.5)	16	6921	0	2649	8408	0	2721	9300	0	2837	9895	0	2914	11382	0	3261	13464	0	3304	13910	0	3394	14654	0	3562	
	18	6956	0	2685	8450	0	2757	9347	0	2896	9945	0	2989	11440	0	3344	13532	0	3473	13980	0	3544	14757	0	3580	
	20	6991	0	2721	8493	0	2792	9394	0	2943	9995	0	3043	11497	0	3401	13600	0	3580	14051	0	3580	14802	0	3580	
	22	7026	0	2757	8535	0	2828	9441	0	3004	10045	0	3122	11555	0	3483	13627	0	3580	14079	0	3580	14831	0	3580	
	24	7061	0	2792	8578	0	2864	9488	0	3064	10095	0	3197	11612	0	3566	13654	0	3580	14107	0	3580	14861	0	3580	
(3.5+3.5) + (3.5+3.5)	16	6921	0	2649	8408	0	2721	9300	0	2837	9895	0	2914	11382	0	3261	13464	0	3304	13910	0	3394	14654	0	3562	
	18	6956	0	2685	8450	0	2757	9347	0	2896	9945	0	2989	11440	0	3344	13532	0	3473	13980	0	3544	14757	0	3580	
	20	6991	0	2721	8493	0	2792	9394	0	2943	9995	0	3043	11497	0	3401	13600	0	3580	14051	0	3580	14802	0	3580	
	22	7026	0	2757	8535	0	2828	9441	0	3004	10045	0	3122	11555	0	3483	13627	0	3580	14079	0	3580	14831	0	3580	
	24	7061	0	2792	8578	0	2864	9488	0	3064	10095	0	3197	11612	0	3566	13654	0	3580	14107	0	3580	14861	0	3580	
(3.5+3.5) + (3.5+5.0)	16	6921	0	2649	8408	0	2721	9300	0	2837	9895	0	2914	11382	0	3261	13464	0	3304	13910	0	3394	14654	0	3562	
	18	6956	0	2685	8450	0	2757	9347	0	2896	9945	0	2989	11440	0	3344	13532	0	3473	13980	0	3544	14757	0	3580	
	20	6991	0	2721	8493	0	2792	9394	0	2943	9995	0	3043	11497	0	3401	13600	0	3580	14051	0	3580	14802	0	3580	
	22	7026	0	2757	8535	0	2828	9441	0	3004	10045	0	3122	11555	0	3483	13627	0	3580	14079	0	3580	14831	0	3580	
	24	7061	0	2792	8578	0	2864	9488	0	3064	10095	0	3197	11612	0	3566	13654	0	3580	14107	0	3580	14861	0	3580	
(3.5+5.0) + (3.5+5.0)	16	6921	0	2649	8408	0	2721	9300	0	2837	9895	0	2914	11382	0	3261	13464	0	3304	13910	0	3394	14654	0	3562	
	18	6956	0	2685	8450	0	2757	9347	0	2896	9945	0	2989	11440	0	3344	13532	0	3473	13980	0	3544	14757	0	3580	
	20	6991	0	2721	8493	0	2792	9394	0	2943	9995	0	3043	11497	0	3401	13600	0	3580	14051	0	3580	14802	0	3580	
	22	7026	0	2757	8535	0	2828	9441	0	3004	10045	0	3122	11555	0	3483	13627	0	3580	14079	0	3580	14831	0	3580	
	24	7061	0	2792	8578	0	2864	9488	0	3064	10095	0	3197	11612	0	3566	13654	0	3580	14107	0	3580	14861	0	3580	
(1.5+1.5) + (1.5+1.5+1.5)	16	5089	0	2028	6182	0	2082	6838	0	2171	7276	0	2230	8369	0	2496	9900	0	2529	10228	0	2598	10775	0	2726	
	18	5114	0	2055	6213	0	2110	6873	0	2217	7312	0	2288	8411	0	2559	9950	0	2658	10280	0	2713	10851	0	2740	
	20	5140	0	2082	6245	0	2137	6907	0	2252	7349	0	2329	8454	0	2603	10000	0	2740	10331	0	2740	10884	0	2740	
	22	5166	0	2110	6276	0	2165	6942	0	2299	7386	0	2389	8496	0	2666	10020	0	2740	10352	0	2740	10905	0	2740	
	24	5192	0	2137	6307	0	2192	6976	0	2345	7423	0	2447	8538	0	2729	10040	0	2740	10373	0	2740	10927	0	2740	
(1.5+1.5) + (1.5+1.5+1.8)	16	5343	0	2072	6491	0	2128	7180	0	2219	7639	0	2279	8788	0	2551	10395	0	2584	10739	0	2654	11314	0	2786	
	18	5370	0	2100	6524	0	2156	7217	0	2265	7678	0	2338	8832	0	2615	10448	0	2716	10794	0	2772	11393	0	2800	
	20	5397	0	2128	6557	0	2184	7253	0	2302	7717	0	2380	8876	0	2660	10500	0	2800	10848	0	2800	11428	0	2800	
	22	5424	0	2156	6590	0	2212	7289	0	2350	7755	0	2442	8921	0	2724	10521	0	2800	10870	0	2800	11451	0	2800	
	24	5451	0	2184	6623	0	2240	7325	0	2396	7794	0	2500	8965	0	2789	10542	0	2800	10891	0	2800	11473	0	2800	





	INDOOR		OUTDOOR TEMPERATURE (°CDB)																							
	EDB	-15			-10			-7			-5			0			7			10			15			
		°C	TC	SHC	PI	TC	SHC	PI	TC	SHC	PI	TC	SHC	PI	TC	SHC	PI	TC	SHC	PI	TC	SHC	PI	TC	SHC	PI
(1.5+1.5) + (1.8+3.5+3.5)	16	5496	0	2116	6677	0	2174	7385	0	2266	7858	0	2328	9039	0	2605	10692	0	2640	11046	0	2711	11637	0	2846	
	18	5524	0	2145	6711	0	2202	7423	0	2314	7897	0	2388	9084	0	2671	10746	0	2774	11102	0	2831	11719	0	2860	
	20	5551	0	2174	6744	0	2231	7460	0	2351	7937	0	2431	9130	0	2717	10800	0	2860	11158	0	2860	11754	0	2860	
	22	5579	0	2202	6778	0	2259	7497	0	2400	7977	0	2494	9176	0	2783	10822	0	2860	11180	0	2860	11778	0	2860	
	24	5607	0	2231	6812	0	2288	7535	0	2448	8017	0	2554	9221	0	2849	10843	0	2860	11202	0	2860	11801	0	2860	
(1.5+1.5) + (2.5+2.5+2.5)	16	5496	0	2116	6677	0	2174	7385	0	2266	7858	0	2328	9039	0	2605	10692	0	2640	11046	0	2711	11637	0	2846	
	18	5524	0	2145	6711	0	2202	7423	0	2314	7897	0	2388	9084	0	2671	10746	0	2774	11102	0	2831	11719	0	2860	
	20	5551	0	2174	6744	0	2231	7460	0	2351	7937	0	2431	9130	0	2717	10800	0	2860	11158	0	2860	11754	0	2860	
	22	5579	0	2202	6778	0	2259	7497	0	2400	7977	0	2494	9176	0	2783	10822	0	2860	11180	0	2860	11778	0	2860	
	24	5607	0	2231	6812	0	2288	7535	0	2448	8017	0	2554	9221	0	2849	10843	0	2860	11202	0	2860	11801	0	2860	
(1.5+1.5) + (2.5+2.5+3.5)	16	5496	0	2116	6677	0	2174	7385	0	2266	7858	0	2328	9039	0	2605	10692	0	2640	11046	0	2711	11637	0	2846	
	18	5524	0	2145	6711	0	2202	7423	0	2314	7897	0	2388	9084	0	2671	10746	0	2774	11102	0	2831	11719	0	2860	
	20	5551	0	2174	6744	0	2231	7460	0	2351	7937	0	2431	9130	0	2717	10800	0	2860	11158	0	2860	11754	0	2860	
	22	5579	0	2202	6778	0	2259	7497	0	2400	7977	0	2494	9176	0	2783	10822	0	2860	11180	0	2860	11778	0	2860	
	24	5607	0	2231	6812	0	2288	7535	0	2448	8017	0	2554	9221	0	2849	10843	0	2860	11202	0	2860	11801	0	2860	
(1.5+1.8) + (1.5+1.5+1.5)	16	5343	0	2168	6491	0	2227	7180	0	2322	7639	0	2385	8788	0	2669	10395	0	2704	10739	0	2778	11314	0	2915	
	18	5370	0	2198	6524	0	2256	7217	0	2370	7678	0	2447	8832	0	2737	10448	0	2842	10794	0	2901	11393	0	2930	
	20	5397	0	2227	6557	0	2285	7253	0	2408	7717	0	2491	8876	0	2784	10500	0	2930	10848	0	2930	11428	0	2930	
	22	5424	0	2256	6590	0	2315	7289	0	2459	7755	0	2555	8921	0	2851	10521	0	2930	10870	0	2930	11451	0	2930	
	24	5451	0	2285	6623	0	2344	7325	0	2507	7794	0	2616	8965	0	2918	10542	0	2930	10891	0	2930	11473	0	2930	
(1.5+1.8) + (1.5+1.5+1.8)	16	5598	0	2213	6800	0	2272	7522	0	2369	8003	0	2434	9206	0	2724	10890	0	2760	11251	0	2835	11852	0	2975	
	18	5626	0	2243	6835	0	2302	7560	0	2419	8044	0	2497	9253	0	2793	10945	0	2900	11308	0	2960	11936	0	2990	
	20	5654	0	2272	6869	0	2332	7598	0	2458	8084	0	2542	9299	0	2841	11000	0	2990	11364	0	2990	11972	0	2990	
	22	5682	0	2302	6904	0	2362	7636	0	2509	8125	0	2607	9346	0	2909	11022	0	2990	11387	0	2990	11996	0	2990	
	24	5711	0	2332	6938	0	2392	7674	0	2559	8165	0	2670	9392	0	2978	11044	0	2990	11410	0	2990	12020	0	2990	
(1.5+1.8) + (1.5+1.5+2.5)	16	5750	0	2257	6986	0	2318	7727	0	2417	8222	0	2483	9457	0	2779	11187	0	2815	11558	0	2891	12175	0	3035	
	18	5779	0	2288	7021	0	2349	7766	0	2467	8263	0	2547	9505	0	2849	11244	0	2959	11616	0	3020	12262	0	3050	
	20	5808	0	2318	7057	0	2379	7805	0	2507	8305	0	2593	9553	0	2898	11300	0	3050	11674	0	3050	12298	0	3050	
	22	5837	0	2349	7092	0	2410	7844	0	2560	8346	0	2660	9600	0	2968	11323	0	3050	11698	0	3050	12323	0	3050	
	24	5867	0	2379	7127	0	2440	7883	0	2610	8388	0	2724	9648	0	3038	11345	0	3050	11721	0	3050	12348	0	3050	
(1.5+1.8) + (1.5+1.5+3.5)	16	5750	0	2257	6986	0	2318	7727	0	2417	8222	0	2483	9457	0	2779	11187	0	2815	11558	0	2891	12175	0	3035	
	18	5779	0	2288	7021	0	2349	7766	0	2467	8263	0	2547	9505	0	2849	11244	0	2959	11616	0	3020	12262	0	3050	
	20	5808	0	2318	7057	0	2379	7805	0	2507	8305	0	2593	9553	0	2898	11300	0	3050	11674	0	3050	12298	0	3050	
	22	5837	0	2349	7092	0	2410	7844	0	2560	8346	0	2660	9600	0	2968	11323	0	3050	11698	0	3050	12323	0	3050	
	24	5867	0	2379	7127	0	2440	7883	0	2610	8388	0	2724	9648	0	3038	11345	0	3050	11721	0	3050	12348	0	3050	
(1.5+1.8) + (1.5+1.5+5.0)	16	5750	0	2257	6986	0	2318	7727	0	2417	8222	0	2483	9457	0	2779	11187	0	2815	11558	0	2891	12175	0	3035	
	18	5779	0	2288	7021	0	2349	7766	0	2467	8263	0	2547	9505	0	2849	11244	0	2959	11616	0	3020	12262	0	3050	
	20	5808	0	2318	7057	0	2379	7805	0	2507	8305	0	2593	9553	0	2898	11300	0	3050	11674	0	3050	12298	0	3050	
	22	5837	0	2349	7092	0	2410	7844	0	2560	8346	0	2660	9600	0	2968	11323	0	3050	11698	0	3050	12323	0	3050	
	24	5867	0	2379	7127	0	2440	7883	0	2610	8388	0	2724	9648	0	3038	11345	0	3050	11721	0	3050	12348	0	3050	





	INDOOR		OUTDOOR TEMPERATURE (°CDB)																							
	EDB	-15			-10			-7			-5			0			7			10			15			
		°C	TC	SHC	PI	TC	SHC	PI	TC	SHC	PI	TC	SHC	PI	TC	SHC	PI	TC	SHC	PI	TC	SHC	PI	TC	SHC	PI
(1.5+2.5) + (1.5+1.5+1.5)	16	6056	0	2442	7357	0	2508	8138	0	2615	8658	0	2686	9959	0	3006	11781	0	3046	12171	0	3128	12822	0	3284	
	18	6086	0	2475	7394	0	2541	8179	0	2670	8702	0	2756	10010	0	3082	11841	0	3201	12233	0	3267	12913	0	3300	
	20	6117	0	2508	7431	0	2574	8220	0	2713	8746	0	2805	10060	0	3135	11900	0	3300	12294	0	3300	12951	0	3300	
	22	6147	0	2541	7468	0	2607	8261	0	2769	8789	0	2878	10110	0	3211	11924	0	3300	12319	0	3300	12977	0	3300	
	24	6178	0	2574	7506	0	2640	8302	0	2824	8833	0	2947	10161	0	3287	11948	0	3300	12343	0	3300	13003	0	3300	
(1.5+2.5) + (1.5+1.5+1.8)	16	6310	0	2486	7666	0	2554	8480	0	2662	9022	0	2735	10378	0	3061	12276	0	3101	12683	0	3185	13361	0	3343	
	18	6342	0	2520	7705	0	2587	8522	0	2718	9067	0	2806	10430	0	3138	12338	0	3259	12747	0	3326	13455	0	3360	
	20	6374	0	2554	7743	0	2621	8565	0	2762	9113	0	2856	10483	0	3192	12400	0	3360	12811	0	3360	13496	0	3360	
	22	6406	0	2587	7782	0	2654	8608	0	2820	9159	0	2930	10535	0	3269	12425	0	3360	12836	0	3360	13523	0	3360	
	24	6438	0	2621	7821	0	2688	8651	0	2875	9204	0	3000	10587	0	3347	12450	0	3360	12862	0	3360	13550	0	3360	
(1.5+2.5) + (1.5+1.5+2.5)	16	6463	0	2531	7851	0	2599	8685	0	2710	9240	0	2784	10629	0	3116	12573	0	3157	12990	0	3242	13684	0	3403	
	18	6495	0	2565	7891	0	2633	8729	0	2767	9287	0	2856	10683	0	3194	12637	0	3317	13055	0	3386	13781	0	3420	
	20	6528	0	2599	7931	0	2668	8772	0	2811	9333	0	2907	10736	0	3249	12700	0	3420	13121	0	3420	13822	0	3420	
	22	6561	0	2633	7970	0	2702	8816	0	2870	9380	0	2982	10790	0	3328	12725	0	3420	13147	0	3420	13850	0	3420	
	24	6593	0	2668	8010	0	2736	8860	0	2927	9427	0	3054	10844	0	3406	12751	0	3420	13173	0	3420	13877	0	3420	
(1.5+2.5) + (1.5+1.5+3.5)	16	6463	0	2531	7851	0	2599	8685	0	2710	9240	0	2784	10629	0	3116	12573	0	3157	12990	0	3242	13684	0	3403	
	18	6495	0	2565	7891	0	2633	8729	0	2767	9287	0	2856	10683	0	3194	12637	0	3317	13055	0	3386	13781	0	3420	
	20	6528	0	2599	7931	0	2668	8772	0	2811	9333	0	2907	10736	0	3249	12700	0	3420	13121	0	3420	13822	0	3420	
	22	6561	0	2633	7970	0	2702	8816	0	2870	9380	0	2982	10790	0	3328	12725	0	3420	13147	0	3420	13850	0	3420	
	24	6593	0	2668	8010	0	2736	8860	0	2927	9427	0	3054	10844	0	3406	12751	0	3420	13173	0	3420	13877	0	3420	
(1.5+2.5) + (1.5+1.5+5.0)	16	6463	0	2531	7851	0	2599	8685	0	2710	9240	0	2784	10629	0	3116	12573	0	3157	12990	0	3242	13684	0	3403	
	18	6495	0	2565	7891	0	2633	8729	0	2767	9287	0	2856	10683	0	3194	12637	0	3317	13055	0	3386	13781	0	3420	
	20	6528	0	2599	7931	0	2668	8772	0	2811	9333	0	2907	10736	0	3249	12700	0	3420	13121	0	3420	13822	0	3420	
	22	6561	0	2633	7970	0	2702	8816	0	2870	9380	0	2982	10790	0	3328	12725	0	3420	13147	0	3420	13850	0	3420	
	24	6593	0	2668	8010	0	2736	8860	0	2927	9427	0	3054	10844	0	3406	12751	0	3420	13173	0	3420	13877	0	3420	
(1.5+2.5) + (1.5+1.8+1.8)	16	6463	0	2531	7851	0	2599	8685	0	2710	9240	0	2784	10629	0	3116	12573	0	3157	12990	0	3242	13684	0	3403	
	18	6495	0	2565	7891	0	2633	8729	0	2767	9287	0	2856	10683	0	3194	12637	0	3317	13055	0	3386	13781	0	3420	
	20	6528	0	2599	7931	0	2668	8772	0	2811	9333	0	2907	10736	0	3249	12700	0	3420	13121	0	3420	13822	0	3420	
	22	6561	0	2633	7970	0	2702	8816	0	2870	9380	0	2982	10790	0	3328	12725	0	3420	13147	0	3420	13850	0	3420	
	24	6593	0	2668	8010	0	2736	8860	0	2927	9427	0	3054	10844	0	3406	12751	0	3420	13173	0	3420	13877	0	3420	
(1.5+2.5) + (1.5+1.8+2.5)	16	6463	0	2531	7851	0	2599	8685	0	2710	9240	0	2784	10629	0	3116	12573	0	3157	12990	0	3242	13684	0	3403	
	18	6495	0	2565	7891	0	2633	8729	0	2767	9287	0	2856	10683	0	3194	12637	0	3317	13055	0	3386	13781	0	3420	
	20	6528	0	2599	7931	0	2668	8772	0	2811	9333	0	2907	10736	0	3249	12700	0	3420	13121	0	3420	13822	0	3420	
	22	6561	0	2633	7970	0	2702	8816	0	2870	9380	0	2982	10790	0	3328	12725	0	3420	13147	0	3420	13850	0	3420	
	24	6593	0	2668	8010	0	2736	8860	0	2927	9427	0	3054	10844	0	3406	12751	0	3420	13173	0	3420	13877	0	3420	
(1.5+2.5) + (1.5+1.8+3.5)	16	6463	0	2531	7851	0	2599	8685	0	2710	9240	0	2784	10629	0	3116	12573	0	3157	12990	0	3242	13684	0	3403	
	18	6495	0	2565	7891	0	2633	8729	0	2767	9287	0	2856	10683	0	3194	12637	0	3317	13055	0	3386	13781	0	3420	
	20	6528	0	2599	7931	0	2668	8772	0	2811	9333	0	2907	10736	0	3249	12700	0	3420	13121	0	3420	13822	0	3420	
	22	6561	0	2633	7970	0	2702	8816	0	2870	9380	0	2982	10790	0	3328	12725	0	3420	13147	0	3420	13850	0	3420	
	24	6593	0	2668	8010	0	2736	8860	0	2927	9427	0	3054	10844	0	3406	12751	0	3420	13173	0	3420	13877	0	3420	





	INDOOR		OUTDOOR TEMPERATURE (°CDB)																							
	EDB	-15			-10			-7			-5			0			7			10			15			
		°C	TC	SHC	PI	TC	SHC	PI	TC	SHC	PI	TC	SHC	PI	TC	SHC	PI	TC	SHC	PI	TC	SHC	PI	TC	SHC	PI
(1.5+2.5) + (1.8+2.5+2.5)	16	6463	0	2531	7851	0	2599	8685	0	2710	9240	0	2784	10629	0	3116	12573	0	3157	12990	0	3242	13684	0	3403	
	18	6495	0	2565	7891	0	2633	8729	0	2767	9287	0	2856	10683	0	3194	12637	0	3317	13055	0	3386	13781	0	3420	
	20	6528	0	2599	7931	0	2668	8772	0	2811	9333	0	2907	10736	0	3249	12700	0	3420	13121	0	3420	13822	0	3420	
	22	6561	0	2633	7970	0	2702	8816	0	2870	9380	0	2982	10790	0	3328	12725	0	3420	13147	0	3420	13850	0	3420	
	24	6593	0	2668	8010	0	2736	8860	0	2927	9427	0	3054	10844	0	3406	12751	0	3420	13173	0	3420	13877	0	3420	
(1.5+2.5) + (1.8+2.5+3.5)	16	6463	0	2531	7851	0	2599	8685	0	2710	9240	0	2784	10629	0	3116	12573	0	3157	12990	0	3242	13684	0	3403	
	18	6495	0	2565	7891	0	2633	8729	0	2767	9287	0	2856	10683	0	3194	12637	0	3317	13055	0	3386	13781	0	3420	
	20	6528	0	2599	7931	0	2668	8772	0	2811	9333	0	2907	10736	0	3249	12700	0	3420	13121	0	3420	13822	0	3420	
	22	6561	0	2633	7970	0	2702	8816	0	2870	9380	0	2982	10790	0	3328	12725	0	3420	13147	0	3420	13850	0	3420	
	24	6593	0	2668	8010	0	2736	8860	0	2927	9427	0	3054	10844	0	3406	12751	0	3420	13173	0	3420	13877	0	3420	
(1.5+2.5) + (1.8+3.5+3.5)	16	6463	0	2531	7851	0	2599	8685	0	2710	9240	0	2784	10629	0	3116	12573	0	3157	12990	0	3242	13684	0	3403	
	18	6495	0	2565	7891	0	2633	8729	0	2767	9287	0	2856	10683	0	3194	12637	0	3317	13055	0	3386	13781	0	3420	
	20	6528	0	2599	7931	0	2668	8772	0	2811	9333	0	2907	10736	0	3249	12700	0	3420	13121	0	3420	13822	0	3420	
	22	6561	0	2633	7970	0	2702	8816	0	2870	9380	0	2982	10790	0	3328	12725	0	3420	13147	0	3420	13850	0	3420	
	24	6593	0	2668	8010	0	2736	8860	0	2927	9427	0	3054	10844	0	3406	12751	0	3420	13173	0	3420	13877	0	3420	
(1.5+2.5) + (2.5+2.5+2.5)	16	6463	0	2531	7851	0	2599	8685	0	2710	9240	0	2784	10629	0	3116	12573	0	3157	12990	0	3242	13684	0	3403	
	18	6495	0	2565	7891	0	2633	8729	0	2767	9287	0	2856	10683	0	3194	12637	0	3317	13055	0	3386	13781	0	3420	
	20	6528	0	2599	7931	0	2668	8772	0	2811	9333	0	2907	10736	0	3249	12700	0	3420	13121	0	3420	13822	0	3420	
	22	6561	0	2633	7970	0	2702	8816	0	2870	9380	0	2982	10790	0	3328	12725	0	3420	13147	0	3420	13850	0	3420	
	24	6593	0	2668	8010	0	2736	8860	0	2927	9427	0	3054	10844	0	3406	12751	0	3420	13173	0	3420	13877	0	3420	
(1.5+2.5) + (2.5+2.5+3.5)	16	6463	0	2531	7851	0	2599	8685	0	2710	9240	0	2784	10629	0	3116	12573	0	3157	12990	0	3242	13684	0	3403	
	18	6495	0	2565	7891	0	2633	8729	0	2767	9287	0	2856	10683	0	3194	12637	0	3317	13055	0	3386	13781	0	3420	
	20	6528	0	2599	7931	0	2668	8772	0	2811	9333	0	2907	10736	0	3249	12700	0	3420	13121	0	3420	13822	0	3420	
	22	6561	0	2633	7970	0	2702	8816	0	2870	9380	0	2982	10790	0	3328	12725	0	3420	13147	0	3420	13850	0	3420	
	24	6593	0	2668	8010	0	2736	8860	0	2927	9427	0	3054	10844	0	3406	12751	0	3420	13173	0	3420	13877	0	3420	
(1.5+3.5) + (1.5+1.5+1.5)	16	6514	0	2590	7913	0	2660	8753	0	2773	9313	0	2849	10713	0	3189	12672	0	3231	13092	0	3318	13792	0	3483	
	18	6547	0	2625	7953	0	2695	8797	0	2832	9360	0	2923	10767	0	3269	12736	0	3395	13158	0	3465	13889	0	3500	
	20	6579	0	2660	7993	0	2730	8841	0	2877	9407	0	2975	10821	0	3325	12800	0	3500	13224	0	3500	13931	0	3500	
	22	6612	0	2695	8033	0	2765	8886	0	2937	9454	0	3052	10875	0	3406	12826	0	3500	13251	0	3500	13959	0	3500	
	24	6645	0	2730	8073	0	2800	8930	0	2995	9501	0	3126	10929	0	3486	12851	0	3500	13277	0	3500	13987	0	3500	
(1.5+3.5) + (1.5+1.5+1.8)	16	6768	0	2634	8222	0	2706	9095	0	2821	9677	0	2898	11131	0	3243	13167	0	3286	13603	0	3375	14330	0	3542	
	18	6802	0	2670	8264	0	2741	9141	0	2880	9726	0	2973	11187	0	3325	13234	0	3453	13672	0	3524	14432	0	3560	
	20	6836	0	2706	8305	0	2777	9187	0	2926	9774	0	3026	11243	0	3382	13300	0	3560	13741	0	3560	14475	0	3560	
	22	6871	0	2741	8347	0	2812	9233	0	2988	9823	0	3104	11300	0	3464	13327	0	3560	13768	0	3560	14504	0	3560	
	24	6905	0	2777	8389	0	2848	9279	0	3047	9872	0	3179	11356	0	3546	13353	0	3560	13796	0	3560	14533	0	3560	
(1.5+3.5) + (1.5+1.5+2.5)	16	6921	0	2679	8408	0	2751	9300	0	2868	9895	0	2947	11382	0	3298	13464	0	3341	13910	0	3432	14654	0	3602	
	18	6956	0	2715	8450	0	2787	9347	0	2929	9945	0	3023	11440	0	3381	13532	0	3511	13980	0	3584	14757	0	3620	
	20	6991	0	2751	8493	0	2824	9394	0	2976	9995	0	3077	11497	0	3439	13600	0	3620	14051	0	3620	14802	0	3620	
	22	7026	0	2787	8535	0	2860	9441	0	3038	10045	0	3157	11555	0	3522	13627	0	3620	14079	0	3620	14831	0	3620	
	24	7061	0	2824	8578	0	2896	9488	0	3098	10095	0	3233	11612	0	3606	13654	0	3620	14107	0	3620	14861	0	3620	



	INDOOR		OUTDOOR TEMPERATURE (°CDB)																							
	EDB	-15			-10			-7			-5			0			7			10			15			
		°C	TC	SHC	PI	TC	SHC	PI	TC	SHC	PI	TC	SHC	PI	TC	SHC	PI	TC	SHC	PI	TC	SHC	PI	TC	SHC	PI
(1.5+3.5) + (1.5+3.5+3.5)	16	6921	0	2679	8408	0	2751	9300	0	2868	9895	0	2947	11382	0	3298	13464	0	3341	13910	0	3432	14654	0	3602	
	18	6956	0	2715	8450	0	2787	9347	0	2929	9945	0	3023	11440	0	3381	13532	0	3511	13980	0	3584	14757	0	3620	
	20	6991	0	2751	8493	0	2824	9394	0	2976	9995	0	3077	11497	0	3439	13600	0	3620	14051	0	3620	14802	0	3620	
	22	7026	0	2787	8535	0	2860	9441	0	3038	10045	0	3157	11555	0	3522	13627	0	3620	14079	0	3620	14831	0	3620	
	24	7061	0	2824	8578	0	2896	9488	0	3098	10095	0	3233	11612	0	3606	13654	0	3620	14107	0	3620	14861	0	3620	
(1.5+3.5) + (1.8+1.8+1.8)	16	6921	0	2679	8408	0	2751	9300	0	2868	9895	0	2947	11382	0	3298	13464	0	3341	13910	0	3432	14654	0	3602	
	18	6956	0	2715	8450	0	2787	9347	0	2929	9945	0	3023	11440	0	3381	13532	0	3511	13980	0	3584	14757	0	3620	
	20	6991	0	2751	8493	0	2824	9394	0	2976	9995	0	3077	11497	0	3439	13600	0	3620	14051	0	3620	14802	0	3620	
	22	7026	0	2787	8535	0	2860	9441	0	3038	10045	0	3157	11555	0	3522	13627	0	3620	14079	0	3620	14831	0	3620	
	24	7061	0	2824	8578	0	2896	9488	0	3098	10095	0	3233	11612	0	3606	13654	0	3620	14107	0	3620	14861	0	3620	
(1.5+3.5) + (1.8+1.8+2.5)	16	6921	0	2679	8408	0	2751	9300	0	2868	9895	0	2947	11382	0	3298	13464	0	3341	13910	0	3432	14654	0	3602	
	18	6956	0	2715	8450	0	2787	9347	0	2929	9945	0	3023	11440	0	3381	13532	0	3511	13980	0	3584	14757	0	3620	
	20	6991	0	2751	8493	0	2824	9394	0	2976	9995	0	3077	11497	0	3439	13600	0	3620	14051	0	3620	14802	0	3620	
	22	7026	0	2787	8535	0	2860	9441	0	3038	10045	0	3157	11555	0	3522	13627	0	3620	14079	0	3620	14831	0	3620	
	24	7061	0	2824	8578	0	2896	9488	0	3098	10095	0	3233	11612	0	3606	13654	0	3620	14107	0	3620	14861	0	3620	
(1.5+3.5) + (1.8+1.8+3.5)	16	6921	0	2679	8408	0	2751	9300	0	2868	9895	0	2947	11382	0	3298	13464	0	3341	13910	0	3432	14654	0	3602	
	18	6956	0	2715	8450	0	2787	9347	0	2929	9945	0	3023	11440	0	3381	13532	0	3511	13980	0	3584	14757	0	3620	
	20	6991	0	2751	8493	0	2824	9394	0	2976	9995	0	3077	11497	0	3439	13600	0	3620	14051	0	3620	14802	0	3620	
	22	7026	0	2787	8535	0	2860	9441	0	3038	10045	0	3157	11555	0	3522	13627	0	3620	14079	0	3620	14831	0	3620	
	24	7061	0	2824	8578	0	2896	9488	0	3098	10095	0	3233	11612	0	3606	13654	0	3620	14107	0	3620	14861	0	3620	
(1.5+3.5) + (1.8+1.8+5.0)	16	6921	0	2679	8408	0	2751	9300	0	2868	9895	0	2947	11382	0	3298	13464	0	3341	13910	0	3432	14654	0	3602	
	18	6956	0	2715	8450	0	2787	9347	0	2929	9945	0	3023	11440	0	3381	13532	0	3511	13980	0	3584	14757	0	3620	
	20	6991	0	2751	8493	0	2824	9394	0	2976	9995	0	3077	11497	0	3439	13600	0	3620	14051	0	3620	14802	0	3620	
	22	7026	0	2787	8535	0	2860	9441	0	3038	10045	0	3157	11555	0	3522	13627	0	3620	14079	0	3620	14831	0	3620	
	24	7061	0	2824	8578	0	2896	9488	0	3098	10095	0	3233	11612	0	3606	13654	0	3620	14107	0	3620	14861	0	3620	
(1.5+3.5) + (1.8+2.5+2.5)	16	6921	0	2679	8408	0	2751	9300	0	2868	9895	0	2947	11382	0	3298	13464	0	3341	13910	0	3432	14654	0	3602	
	18	6956	0	2715	8450	0	2787	9347	0	2929	9945	0	3023	11440	0	3381	13532	0	3511	13980	0	3584	14757	0	3620	
	20	6991	0	2751	8493	0	2824	9394	0	2976	9995	0	3077	11497	0	3439	13600	0	3620	14051	0	3620	14802	0	3620	
	22	7026	0	2787	8535	0	2860	9441	0	3038	10045	0	3157	11555	0	3522	13627	0	3620	14079	0	3620	14831	0	3620	
	24	7061	0	2824	8578	0	2896	9488	0	3098	10095	0	3233	11612	0	3606	13654	0	3620	14107	0	3620	14861	0	3620	
(1.5+3.5) + (1.8+2.5+3.5)	16	6921	0	2679	8408	0	2751	9300	0	2868	9895	0	2947	11382	0	3298	13464	0	3341	13910	0	3432	14654	0	3602	
	18	6956	0	2715	8450	0	2787	9347	0	2929	9945	0	3023	11440	0	3381	13532	0	3511	13980	0	3584	14757	0	3620	
	20	6991	0	2751	8493	0	2824	9394	0	2976	9995	0	3077	11497	0	3439	13600	0	3620	14051	0	3620	14802	0	3620	
	22	7026	0	2787	8535	0	2860	9441	0	3038	10045	0	3157	11555	0	3522	13627	0	3620	14079	0	3620	14831	0	3620	
	24	7061	0	2824	8578	0	2896	9488	0	3098	10095	0	3233	11612	0	3606	13654	0	3620	14107	0	3620	14861	0	3620	

	INDOOR		OUTDOOR TEMPERATURE (°CDB)																							
	EDB	-15			-10			-7			-5			0			7			10			15			
		°C	TC	SHC	PI	TC	SHC	PI	TC	SHC	PI	TC	SHC	PI	TC	SHC	PI	TC	SHC	PI	TC	SHC	PI	TC	SHC	PI
(1.5+3.5) + (2.5+2.5+2.5)	16	6921	0	2679	8408	0	2751	9300	0	2868	9895	0	2947	11382	0	3298	13464	0	3341	13910	0	3432	14654	0	3602	
	18	6956	0	2715	8450	0	2787	9347	0	2929	9945	0	3023	11440	0	3381	13532	0	3511	13980	0	3584	14757	0	3620	
	20	6991	0	2751	8493	0	2824	9394	0	2976	9995	0	3077	11497	0	3439	13600	0	3620	14051	0	3620	14802	0	3620	
	22	7026	0	2787	8535	0	2860	9441	0	3038	10045	0	3157	11555	0	3522	13627	0	3620	14079	0	3620	14831	0	3620	
	24	7061	0	2824	8578	0	2896	9488	0	3098	10095	0	3233	11612	0	3606	13654	0	3620	14107	0	3620	14861	0	3620	
(1.5+3.5) + (2.5+2.5+3.5)	16	6921	0	2679	8408	0	2751	9300	0	2868	9895	0	2947	11382	0	3298	13464	0	3341	13910	0	3432	14654	0	3602	
	18	6956	0	2715	8450	0	2787	9347	0	2929	9945	0	3023	11440	0	3381	13532	0	3511	13980	0	3584	14757	0	3620	
	20	6991	0	2751	8493	0	2824	9394	0	2976	9995	0	3077	11497	0	3439	13600	0	3620	14051	0	3620	14802	0	3620	
	22	7026	0	2787	8535	0	2860	9441	0	3038	10045	0	3157	11555	0	3522	13627	0	3620	14079	0	3620	14831	0	3620	
	24	7061	0	2824	8578	0	2896	9488	0	3098	10095	0	3233	11612	0	3606	13654	0	3620	14107	0	3620	14861	0	3620	
(1.5+5.0) + (1.5+1.5+1.5)	16	6514	0	2590	7913	0	2660	8753	0	2773	9313	0	2849	10713	0	3189	12672	0	3231	13092	0	3318	13792	0	3483	
	18	6547	0	2625	7953	0	2695	8797	0	2832	9360	0	2923	10767	0	3269	12736	0	3395	13158	0	3465	13889	0	3500	
	20	6579	0	2660	7993	0	2730	8841	0	2877	9407	0	2975	10821	0	3325	12800	0	3500	13224	0	3500	13931	0	3500	
	22	6612	0	2695	8033	0	2765	8886	0	2937	9454	0	3052	10875	0	3406	12826	0	3500	13251	0	3500	13959	0	3500	
	24	6645	0	2730	8073	0	2800	8930	0	2995	9501	0	3126	10929	0	3486	12851	0	3500	13277	0	3500	13987	0	3500	
(1.5+5.0) + (1.5+1.5+1.8)	16	6768	0	2634	8222	0	2706	9095	0	2821	9677	0	2898	11131	0	3243	13167	0	3286	13603	0	3375	14330	0	3542	
	18	6802	0	2670	8264	0	2741	9141	0	2880	9726	0	2973	11187	0	3325	13234	0	3453	13672	0	3524	14432	0	3560	
	20	6836	0	2706	8305	0	2777	9187	0	2926	9774	0	3026	11243	0	3382	13300	0	3560	13741	0	3560	14475	0	3560	
	22	6871	0	2741	8347	0	2812	9233	0	2988	9823	0	3104	11300	0	3464	13327	0	3560	13768	0	3560	14504	0	3560	
	24	6905	0	2777	8389	0	2848	9279	0	3047	9872	0	3179	11356	0	3546	13353	0	3560	13796	0	3560	14533	0	3560	
(1.5+5.0) + (1.5+1.5+2.5)	16	6921	0	2679	8408	0	2751	9300	0	2868	9895	0	2947	11382	0	3298	13464	0	3341	13910	0	3432	14654	0	3602	
	18	6956	0	2715	8450	0	2787	9347	0	2929	9945	0	3023	11440	0	3381	13532	0	3511	13980	0	3584	14757	0	3620	
	20	6991	0	2751	8493	0	2824	9394	0	2976	9995	0	3077	11497	0	3439	13600	0	3620	14051	0	3620	14802	0	3620	
	22	7026	0	2787	8535	0	2860	9441	0	3038	10045	0	3157	11555	0	3522	13627	0	3620	14079	0	3620	14831	0	3620	
	24	7061	0	2824	8578	0	2896	9488	0	3098	10095	0	3233	11612	0	3606	13654	0	3620	14107	0	3620	14861	0	3620	
(1.5+5.0) + (1.5+1.5+3.5)	16	6921	0	2679	8408	0	2751	9300	0	2868	9895	0	2947	11382	0	3298	13464	0	3341	13910	0	3432	14654	0	3602	
	18	6956	0	2715	8450	0	2787	9347	0	2929	9945	0	3023	11440	0	3381	13532	0	3511	13980	0	3584	14757	0	3620	
	20	6991	0	2751	8493	0	2824	9394	0	2976	9995	0	3077	11497	0	3439	13600	0	3620	14051	0	3620	14802	0	3620	
	22	7026	0	2787	8535	0	2860	9441	0	3038	10045	0	3157	11555	0	3522	13627	0	3620	14079	0	3620	14831	0	3620	
	24	7061	0	2824	8578	0	2896	9488	0	3098	10095	0	3233	11612	0	3606	13654	0	3620	14107	0	3620	14861	0	3620	
(1.5+5.0) + (1.5+1.5+5.0)	16	6921	0	2679	8408	0	2751	9300	0	2868	9895	0	2947	11382	0	3298	13464	0	3341	13910	0	3432	14654	0	3602	
	18	6956	0	2715	8450	0	2787	9347	0	2929	9945	0	3023	11440	0	3381	13532	0	3511	13980	0	3584	14757	0	3620	
	20	6991	0	2751	8493	0	2824	9394	0	2976	9995	0	3077	11497	0	3439	13600	0	3620	14051	0	3620	14802	0	3620	
	22	7026	0	2787	8535	0	2860	9441	0	3038	10045	0	3157	11555	0	3522	13627	0	3620	14079	0	3620	14831	0	3620	
	24	7061	0	2824	8578	0	2896	9488	0	3098	10095	0	3233	11612	0	3606	13654	0	3620	14107	0	3620	14861	0	3620	
(1.5+5.0) + (1.5+1.8+1.8)	16	6921	0	2679	8408	0	2751	9300	0	2868	9895	0	2947	11382	0	3298	13464	0	3341	13910	0	3432	14654	0	3602	
	18	6956	0	2715	8450	0	2787	9347	0	2929	9945	0	3023	11440	0	3381	13532	0	3511	13980	0	3584	14757	0	3620	
	20	6991	0	2751	8493	0	2824	9394	0	2976	9995	0	3077	11497	0	3439	13600	0	3620	14051	0	3620	14802	0	3620	
	22	7026	0	2787	8535	0	2860	9441	0	3038	10045	0	3157	11555	0	3522	13627	0	3620	14079	0	3620	14831	0	3620	
	24	7061	0	2824	8578	0	2896	9488	0	3098	10095	0	3233	11612	0	3606	13654	0	3620	14107	0	3620	14861	0	3620	



	INDOOR		OUTDOOR TEMPERATURE (°CDB)																							
	EDB	-15			-10			-7			-5			0			7			10			15			
		°C	TC	SHC	PI	TC	SHC	PI	TC	SHC	PI	TC	SHC	PI	TC	SHC	PI	TC	SHC	PI	TC	SHC	PI	TC	SHC	PI
(1.5+5.0) + (1.8+1.8+3.5)	16	6921	0	2679	8408	0	2751	9300	0	2868	9895	0	2947	11382	0	3298	13464	0	3341	13910	0	3432	14654	0	3602	
	18	6956	0	2715	8450	0	2787	9347	0	2929	9945	0	3023	11440	0	3381	13532	0	3511	13980	0	3584	14757	0	3620	
	20	6991	0	2751	8493	0	2824	9394	0	2976	9995	0	3077	11497	0	3439	13600	0	3620	14051	0	3620	14802	0	3620	
	22	7026	0	2787	8535	0	2860	9441	0	3038	10045	0	3157	11555	0	3522	13627	0	3620	14079	0	3620	14831	0	3620	
	24	7061	0	2824	8578	0	2896	9488	0	3098	10095	0	3233	11612	0	3606	13654	0	3620	14107	0	3620	14861	0	3620	
(1.5+5.0) + (1.8+1.8+5.0)	16	6921	0	2679	8408	0	2751	9300	0	2868	9895	0	2947	11382	0	3298	13464	0	3341	13910	0	3432	14654	0	3602	
	18	6956	0	2715	8450	0	2787	9347	0	2929	9945	0	3023	11440	0	3381	13532	0	3511	13980	0	3584	14757	0	3620	
	20	6991	0	2751	8493	0	2824	9394	0	2976	9995	0	3077	11497	0	3439	13600	0	3620	14051	0	3620	14802	0	3620	
	22	7026	0	2787	8535	0	2860	9441	0	3038	10045	0	3157	11555	0	3522	13627	0	3620	14079	0	3620	14831	0	3620	
	24	7061	0	2824	8578	0	2896	9488	0	3098	10095	0	3233	11612	0	3606	13654	0	3620	14107	0	3620	14861	0	3620	
(1.5+5.0) + (1.8+2.5+2.5)	16	6921	0	2679	8408	0	2751	9300	0	2868	9895	0	2947	11382	0	3298	13464	0	3341	13910	0	3432	14654	0	3602	
	18	6956	0	2715	8450	0	2787	9347	0	2929	9945	0	3023	11440	0	3381	13532	0	3511	13980	0	3584	14757	0	3620	
	20	6991	0	2751	8493	0	2824	9394	0	2976	9995	0	3077	11497	0	3439	13600	0	3620	14051	0	3620	14802	0	3620	
	22	7026	0	2787	8535	0	2860	9441	0	3038	10045	0	3157	11555	0	3522	13627	0	3620	14079	0	3620	14831	0	3620	
	24	7061	0	2824	8578	0	2896	9488	0	3098	10095	0	3233	11612	0	3606	13654	0	3620	14107	0	3620	14861	0	3620	
(1.5+5.0) + (1.8+2.5+3.5)	16	6921	0	2679	8408	0	2751	9300	0	2868	9895	0	2947	11382	0	3298	13464	0	3341	13910	0	3432	14654	0	3602	
	18	6956	0	2715	8450	0	2787	9347	0	2929	9945	0	3023	11440	0	3381	13532	0	3511	13980	0	3584	14757	0	3620	
	20	6991	0	2751	8493	0	2824	9394	0	2976	9995	0	3077	11497	0	3439	13600	0	3620	14051	0	3620	14802	0	3620	
	22	7026	0	2787	8535	0	2860	9441	0	3038	10045	0	3157	11555	0	3522	13627	0	3620	14079	0	3620	14831	0	3620	
	24	7061	0	2824	8578	0	2896	9488	0	3098	10095	0	3233	11612	0	3606	13654	0	3620	14107	0	3620	14861	0	3620	
(1.5+5.0) + (1.8+3.5+3.5)	16	6921	0	2679	8408	0	2751	9300	0	2868	9895	0	2947	11382	0	3298	13464	0	3341	13910	0	3432	14654	0	3602	
	18	6956	0	2715	8450	0	2787	9347	0	2929	9945	0	3023	11440	0	3381	13532	0	3511	13980	0	3584	14757	0	3620	
	20	6991	0	2751	8493	0	2824	9394	0	2976	9995	0	3077	11497	0	3439	13600	0	3620	14051	0	3620	14802	0	3620	
	22	7026	0	2787	8535	0	2860	9441	0	3038	10045	0	3157	11555	0	3522	13627	0	3620	14079	0	3620	14831	0	3620	
	24	7061	0	2824	8578	0	2896	9488	0	3098	10095	0	3233	11612	0	3606	13654	0	3620	14107	0	3620	14861	0	3620	
(1.5+5.0) + (2.5+2.5+2.5)	16	6921	0	2679	8408	0	2751	9300	0	2868	9895	0	2947	11382	0	3298	13464	0	3341	13910	0	3432	14654	0	3602	
	18	6956	0	2715	8450	0	2787	9347	0	2929	9945	0	3023	11440	0	3381	13532	0	3511	13980	0	3584	14757	0	3620	
	20	6991	0	2751	8493	0	2824	9394	0	2976	9995	0	3077	11497	0	3439	13600	0	3620	14051	0	3620	14802	0	3620	
	22	7026	0	2787	8535	0	2860	9441	0	3038	10045	0	3157	11555	0	3522	13627	0	3620	14079	0	3620	14831	0	3620	
	24	7061	0	2824	8578	0	2896	9488	0	3098	10095	0	3233	11612	0	3606	13654	0	3620	14107	0	3620	14861	0	3620	
(1.5+5.0) + (2.5+2.5+3.5)	16	6921	0	2679	8408	0	2751	9300	0	2868	9895	0	2947	11382	0	3298	13464	0	3341	13910	0	3432	14654	0	3602	
	18	6956	0	2715	8450	0	2787	9347	0	2929	9945	0	3023	11440	0	3381	13532	0	3511	13980	0	3584	14757	0	3620	
	20	6991	0	2751	8493	0	2824	9394	0	2976	9995	0	3077	11497	0	3439	13600	0	3620	14051	0	3620	14802	0	3620	
	22	7026	0	2787	8535	0	2860	9441	0	3038	10045	0	3157	11555	0	3522	13627	0	3620	14079	0	3620	14831	0	3620	
	24	7061	0	2824	8578	0	2896	9488	0	3098	10095	0	3233	11612	0	3606	13654	0	3620	14107	0	3620	14861	0	3620	
(1.8+1.8) + (1.8+1.8+1.8)	16	6005	0	2287	7295	0	2348	8069	0	2449	8585	0	2515	9876	0	2815	11682	0	2852	12069	0	2929	12714	0	3075	
	18	6035	0	2318	7332	0	2379	8110	0	2500	8629	0	2580	9925	0	2886	11741	0	2997	12130	0	3059	12804	0	3090	
	20	6065	0	2348	7369	0	2410	8151	0	2540	8672	0	2627	9975	0	2936	11800	0	3090	12191	0	3090	12843	0	3090	
	22	6096	0	2379	7406	0	2441	8191	0	2593	8715	0	2694	10025	0	3007	11824	0	3090	12215	0	3090	12868	0	3090	
	24	6126	0	2410	7442	0	2472	8232	0	2644	8759	0	2759	10075	0	3078	11847	0	3090	12240	0	3090	12894	0	3090	

	INDOOR		OUTDOOR TEMPERATURE (°CDB)																							
	EDB	-15			-10			-7			-5			0			7			10			15			
		°C	TC	SHC	PI	TC	SHC	PI	TC	SHC	PI	TC	SHC	PI	TC	SHC	PI	TC	SHC	PI	TC	SHC	PI	TC	SHC	PI
(1.8+1.8) + (1.8+1.8+2.5)	16	6005	0	2287	7295	0	2348	8069	0	2449	8585	0	2515	9876	0	2815	11682	0	2852	12069	0	2929	12714	0	3075	
	18	6035	0	2318	7332	0	2379	8110	0	2500	8629	0	2580	9925	0	2886	11741	0	2997	12130	0	3059	12804	0	3090	
	20	6065	0	2348	7369	0	2410	8151	0	2540	8672	0	2627	9975	0	2936	11800	0	3090	12191	0	3090	12843	0	3090	
	22	6096	0	2379	7406	0	2441	8191	0	2593	8715	0	2694	10025	0	3007	11824	0	3090	12215	0	3090	12868	0	3090	
	24	6126	0	2410	7442	0	2472	8232	0	2644	8759	0	2759	10075	0	3078	11847	0	3090	12240	0	3090	12894	0	3090	
(1.8+3.5) + (1.8+1.8+1.8)	16	6921	0	2701	8408	0	2774	9300	0	2892	9895	0	2971	11382	0	3325	13464	0	3369	13910	0	3460	14654	0	3632	
	18	6956	0	2738	8450	0	2811	9347	0	2953	9945	0	3048	11440	0	3409	13532	0	3541	13980	0	3614	14757	0	3650	
	20	6991	0	2774	8493	0	2847	9394	0	3000	9995	0	3103	11497	0	3468	13600	0	3650	14051	0	3650	14802	0	3650	
	22	7026	0	2811	8535	0	2884	9441	0	3063	10045	0	3183	11555	0	3551	13627	0	3650	14079	0	3650	14831	0	3650	
	24	7061	0	2847	8578	0	2920	9488	0	3124	10095	0	3259	11612	0	3635	13654	0	3650	14107	0	3650	14861	0	3650	
(1.8+5.0) + (1.8+1.8+1.8)	16	6921	0	2679	8408	0	2751	9300	0	2868	9895	0	2947	11382	0	3298	13464	0	3341	13910	0	3432	14654	0	3602	
	18	6956	0	2715	8450	0	2787	9347	0	2929	9945	0	3023	11440	0	3381	13532	0	3511	13980	0	3584	14757	0	3620	
	20	6991	0	2751	8493	0	2824	9394	0	2976	9995	0	3077	11497	0	3439	13600	0	3620	14051	0	3620	14802	0	3620	
	22	7026	0	2787	8535	0	2860	9441	0	3038	10045	0	3157	11555	0	3522	13627	0	3620	14079	0	3620	14831	0	3620	
	24	7061	0	2824	8578	0	2896	9488	0	3098	10095	0	3233	11612	0	3606	13654	0	3620	14107	0	3620	14861	0	3620	
(1.8+2.5) + (1.8+1.8+2.5)	16	6717	0	2590	8161	0	2660	9027	0	2773	9604	0	2849	11047	0	3189	13068	0	3231	13501	0	3318	14223	0	3483	
	18	6751	0	2625	8202	0	2695	9072	0	2832	9652	0	2923	11103	0	3269	13134	0	3395	13569	0	3465	14323	0	3500	
	20	6785	0	2660	8243	0	2730	9118	0	2877	9701	0	2975	11159	0	3325	13200	0	3500	13637	0	3500	14366	0	3500	
	22	6819	0	2695	8284	0	2765	9163	0	2937	9749	0	3052	11215	0	3406	13226	0	3500	13665	0	3500	14395	0	3500	
	24	6853	0	2730	8325	0	2800	9209	0	2995	9798	0	3126	11270	0	3486	13253	0	3500	13692	0	3500	14424	0	3500	
(1.8+3.5) + (1.8+1.8+2.5)	16	6921	0	2701	8408	0	2774	9300	0	2892	9895	0	2971	11382	0	3325	13464	0	3369	13910	0	3460	14654	0	3632	
	18	6956	0	2738	8450	0	2811	9347	0	2953	9945	0	3048	11440	0	3409	13532	0	3541	13980	0	3614	14757	0	3650	
	20	6991	0	2774	8493	0	2847	9394	0	3000	9995	0	3103	11497	0	3468	13600	0	3650	14051	0	3650	14802	0	3650	
	22	7026	0	2811	8535	0	2884	9441	0	3063	10045	0	3183	11555	0	3551	13627	0	3650	14079	0	3650	14831	0	3650	
	24	7061	0	2847	8578	0	2920	9488	0	3124	10095	0	3259	11612	0	3635	13654	0	3650	14107	0	3650	14861	0	3650	
(1.8+5.0) + (1.8+1.8+2.5)	16	6921	0	2679	8408	0	2751	9300	0	2868	9895	0	2947	11382	0	3298	13464	0	3341	13910	0	3432	14654	0	3602	
	18	6956	0	2715	8450	0	2787	9347	0	2929	9945	0	3023	11440	0	3381	13532	0	3511	13980	0	3584	14757	0	3620	
	20	6991	0	2751	8493	0	2824	9394	0	2976	9995	0	3077	11497	0	3439	13600	0	3620	14051	0	3620	14802	0	3620	
	22	7026	0	2787	8535	0	2860	9441	0	3038	10045	0	3157	11555	0	3522	13627	0	3620	14079	0	3620	14831	0	3620	
	24	7061	0	2824	8578	0	2896	9488	0	3098	10095	0	3233	11612	0	3606	13654	0	3620	14107	0	3620	14861	0	3620	
(1.8+3.5) + (1.8+1.8+3.5)	16	6921	0	2701	8408	0	2774	9300	0	2892	9895	0	2971	11382	0	3325	13464	0	3369	13910	0	3460	14654	0	3632	
	18	6956	0	2738	8450	0	2811	9347	0	2953	9945	0	3048	11440	0	3409	13532	0	3541	13980	0	3614	14757	0	3650	
	20	6991	0	2774	8493	0	2847	9394	0	3000	9995	0	3103	11497	0	3468	13600	0	3650	14051	0	3650	14802	0	3650	
	22	7026	0	2811	8535	0	2884	9441	0	3063	10045	0	3183	11555	0	3551	13627	0	3650	14079	0	3650	14831	0	3650	
	24	7061	0	2847	8578	0	2920	9488	0	3124	10095	0	3259	11612	0	3635	13654	0	3650	14107	0	3650	14861	0	3650	
(1.8+5.0) + (1.8+1.8+3.5)	16	6921	0	2679	8408	0	2751	9300	0	2868	9895	0	2947	11382	0	3298	13464	0	3341	13910	0	3432	14654	0	3602	
	18	6956	0	2715	8450	0	2787	9347	0	2929	9945	0	3023	11440	0	3381	13532	0	3511	13980	0	3584	14757	0	3620	
	20	6991	0	2751	8493	0	2824	9394	0	2976	9995	0	3077	11497	0	3439	13600	0	3620	14051	0	3620	14802	0	3620	
	22	7026	0	2787	8535	0	2860	9441	0	3038	10045	0	3157	11555	0	3522	13627	0	3620	14079	0	3620	14831	0	3620	
	24	7061	0	2824	8578	0	2896	9488	0	3098	10095	0	3233	11612	0	3606	13654	0	3620	14107	0	3620	14861	0	3620	



	INDOOR		OUTDOOR TEMPERATURE (°CDB)																							
	EDB	-15			-10			-7			-5			0			7			10			15			
		°C	TC	SHC	PI	TC	SHC	PI	TC	SHC	PI	TC	SHC	PI	TC	SHC	PI	TC	SHC	PI	TC	SHC	PI	TC	SHC	PI
(1.8+5.0) + (1.8+1.8+5.0)	16	6921	0	2679	8408	0	2751	9300	0	2868	9895	0	2947	11382	0	3298	13464	0	3341	13910	0	3432	14654	0	3602	
	18	6956	0	2715	8450	0	2787	9347	0	2929	9945	0	3023	11440	0	3381	13532	0	3511	13980	0	3584	14757	0	3620	
	20	6991	0	2751	8493	0	2824	9394	0	2976	9995	0	3077	11497	0	3439	13600	0	3620	14051	0	3620	14802	0	3620	
	22	7026	0	2787	8535	0	2860	9441	0	3038	10045	0	3157	11555	0	3522	13627	0	3620	14079	0	3620	14831	0	3620	
	24	7061	0	2824	8578	0	2896	9488	0	3098	10095	0	3233	11612	0	3606	13654	0	3620	14107	0	3620	14861	0	3620	
(2.5+2.5) + (1.8+1.8+2.5)	16	6921	0	2679	8408	0	2751	9300	0	2868	9895	0	2947	11382	0	3298	13464	0	3341	13910	0	3432	14654	0	3602	
	18	6956	0	2715	8450	0	2787	9347	0	2929	9945	0	3023	11440	0	3381	13532	0	3511	13980	0	3584	14757	0	3620	
	20	6991	0	2751	8493	0	2824	9394	0	2976	9995	0	3077	11497	0	3439	13600	0	3620	14051	0	3620	14802	0	3620	
	22	7026	0	2787	8535	0	2860	9441	0	3038	10045	0	3157	11555	0	3522	13627	0	3620	14079	0	3620	14831	0	3620	
	24	7061	0	2824	8578	0	2896	9488	0	3098	10095	0	3233	11612	0	3606	13654	0	3620	14107	0	3620	14861	0	3620	
(2.5+3.5) + (1.8+1.8+2.5)	16	6921	0	2679	8408	0	2751	9300	0	2868	9895	0	2947	11382	0	3298	13464	0	3341	13910	0	3432	14654	0	3602	
	18	6956	0	2715	8450	0	2787	9347	0	2929	9945	0	3023	11440	0	3381	13532	0	3511	13980	0	3584	14757	0	3620	
	20	6991	0	2751	8493	0	2824	9394	0	2976	9995	0	3077	11497	0	3439	13600	0	3620	14051	0	3620	14802	0	3620	
	22	7026	0	2787	8535	0	2860	9441	0	3038	10045	0	3157	11555	0	3522	13627	0	3620	14079	0	3620	14831	0	3620	
	24	7061	0	2824	8578	0	2896	9488	0	3098	10095	0	3233	11612	0	3606	13654	0	3620	14107	0	3620	14861	0	3620	
(1.8+5.0) + (1.8+2.5+2.5)	16	6921	0	2679	8408	0	2751	9300	0	2868	9895	0	2947	11382	0	3298	13464	0	3341	13910	0	3432	14654	0	3602	
	18	6956	0	2715	8450	0	2787	9347	0	2929	9945	0	3023	11440	0	3381	13532	0	3511	13980	0	3584	14757	0	3620	
	20	6991	0	2751	8493	0	2824	9394	0	2976	9995	0	3077	11497	0	3439	13600	0	3620	14051	0	3620	14802	0	3620	
	22	7026	0	2787	8535	0	2860	9441	0	3038	10045	0	3157	11555	0	3522	13627	0	3620	14079	0	3620	14831	0	3620	
	24	7061	0	2824	8578	0	2896	9488	0	3098	10095	0	3233	11612	0	3606	13654	0	3620	14107	0	3620	14861	0	3620	
(3.5+3.5) + (1.8+1.8+2.5)	16	6921	0	2657	8408	0	2728	9300	0	2845	9895	0	2922	11382	0	3270	13464	0	3314	13910	0	3403	14654	0	3572	
	18	6956	0	2693	8450	0	2764	9347	0	2904	9945	0	2998	11440	0	3353	13532	0	3482	13980	0	3554	14757	0	3590	
	20	6991	0	2728	8493	0	2800	9394	0	2951	9995	0	3052	11497	0	3411	13600	0	3590	14051	0	3590	14802	0	3590	
	22	7026	0	2764	8535	0	2836	9441	0	3013	10045	0	3130	11555	0	3493	13627	0	3590	14079	0	3590	14831	0	3590	
	24	7061	0	2800	8578	0	2872	9488	0	3072	10095	0	3206	11612	0	3576	13654	0	3590	14107	0	3590	14861	0	3590	
(1.8+5.0) + (1.8+2.5+3.5)	16	6921	0	2679	8408	0	2751	9300	0	2868	9895	0	2947	11382	0	3298	13464	0	3341	13910	0	3432	14654	0	3602	
	18	6956	0	2715	8450	0	2787	9347	0	2929	9945	0	3023	11440	0	3381	13532	0	3511	13980	0	3584	14757	0	3620	
	20	6991	0	2751	8493	0	2824	9394	0	2976	9995	0	3077	11497	0	3439	13600	0	3620	14051	0	3620	14802	0	3620	
	22	7026	0	2787	8535	0	2860	9441	0	3038	10045	0	3157	11555	0	3522	13627	0	3620	14079	0	3620	14831	0	3620	
	24	7061	0	2824	8578	0	2896	9488	0	3098	10095	0	3233	11612	0	3606	13654	0	3620	14107	0	3620	14861	0	3620	
(3.5+3.5) + (1.8+1.8+3.5)	16	6921	0	2657	8408	0	2728	9300	0	2845	9895	0	2922	11382	0	3270	13464	0	3314	13910	0	3403	14654	0	3572	
	18	6956	0	2693	8450	0	2764	9347	0	2904	9945	0	2998	11440	0	3353	13532	0	3482	13980	0	3554	14757	0	3590	
	20	6991	0	2728	8493	0	2800	9394	0	2951	9995	0	3052	11497	0	3411	13600	0	3590	14051	0	3590	14802	0	3590	
	22	7026	0	2764	8535	0	2836	9441	0	3013	10045	0	3130	11555	0	3493	13627	0	3590	14079	0	3590	14831	0	3590	
	24	7061	0	2800	8578	0	2872	9488	0	3072	10095	0	3206	11612	0	3576	13654	0	3590	14107	0	3590	14861	0	3590	
(2.5+2.5) + (1.8+2.5+2.5)	16	6921	0	2679	8408	0	2751	9300	0	2868	9895	0	2947	11382	0	3298	13464	0	3341	13910	0	3432	14654	0	3602	
	18	6956	0	2715	8450	0	2787	9347	0	2929	9945	0	3023	11440	0	3381	13532	0	3511	13980	0	3584	14757	0	3620	
	20	6991	0	2751	8493	0	2824	9394	0	2976	9995	0	3077	11497	0	3439	13600	0	3620	14051	0	3620	14802	0	3620	
	22	7026	0	2787	8535	0	2860	9441	0	3038	10045	0	3157	11555	0	3522	13627	0	3620	14079	0	3620	14831	0	3620	
	24	7061	0	2824	8578	0	2896	9488	0	3098	10095	0	3233	11612	0	3606	13654	0	3620	14107	0	3620	14861	0	3620	

	INDOOR		OUTDOOR TEMPERATURE (°CDB)																							
	EDB	-15			-10			-7			-5			0			7			10			15			
		°C	TC	SHC	PI	TC	SHC	PI	TC	SHC	PI	TC	SHC	PI	TC	SHC	PI	TC	SHC	PI	TC	SHC	PI	TC	SHC	PI
(2.5+3.5) + (1.8+2.5+2.5)	16	6921	0	2679	8408	0	2751	9300	0	2868	9895	0	2947	11382	0	3298	13464	0	3341	13910	0	3432	14654	0	3602	
	18	6956	0	2715	8450	0	2787	9347	0	2929	9945	0	3023	11440	0	3381	13532	0	3511	13980	0	3584	14757	0	3620	
	20	6991	0	2751	8493	0	2824	9394	0	2976	9995	0	3077	11497	0	3439	13600	0	3620	14051	0	3620	14802	0	3620	
	22	7026	0	2787	8535	0	2860	9441	0	3038	10045	0	3157	11555	0	3522	13627	0	3620	14079	0	3620	14831	0	3620	
	24	7061	0	2824	8578	0	2896	9488	0	3098	10095	0	3233	11612	0	3606	13654	0	3620	14107	0	3620	14861	0	3620	
(1.8+5.0) + (2.5+2.5+2.5)	16	6921	0	2679	8408	0	2751	9300	0	2868	9895	0	2947	11382	0	3298	13464	0	3341	13910	0	3432	14654	0	3602	
	18	6956	0	2715	8450	0	2787	9347	0	2929	9945	0	3023	11440	0	3381	13532	0	3511	13980	0	3584	14757	0	3620	
	20	6991	0	2751	8493	0	2824	9394	0	2976	9995	0	3077	11497	0	3439	13600	0	3620	14051	0	3620	14802	0	3620	
	22	7026	0	2787	8535	0	2860	9441	0	3038	10045	0	3157	11555	0	3522	13627	0	3620	14079	0	3620	14831	0	3620	
	24	7061	0	2824	8578	0	2896	9488	0	3098	10095	0	3233	11612	0	3606	13654	0	3620	14107	0	3620	14861	0	3620	
(3.5+3.5) + (1.8+2.5+2.5)	16	6921	0	2657	8408	0	2728	9300	0	2845	9895	0	2922	11382	0	3270	13464	0	3314	13910	0	3403	14654	0	3572	
	18	6956	0	2693	8450	0	2764	9347	0	2904	9945	0	2998	11440	0	3353	13532	0	3482	13980	0	3554	14757	0	3590	
	20	6991	0	2728	8493	0	2800	9394	0	2951	9995	0	3052	11497	0	3411	13600	0	3590	14051	0	3590	14802	0	3590	
	22	7026	0	2764	8535	0	2836	9441	0	3013	10045	0	3130	11555	0	3493	13627	0	3590	14079	0	3590	14831	0	3590	
	24	7061	0	2800	8578	0	2872	9488	0	3072	10095	0	3206	11612	0	3576	13654	0	3590	14107	0	3590	14861	0	3590	
(2.5+5.0) + (1.8+2.5+3.5)	16	6921	0	2657	8408	0	2728	9300	0	2845	9895	0	2922	11382	0	3270	13464	0	3314	13910	0	3403	14654	0	3572	
	18	6956	0	2693	8450	0	2764	9347	0	2904	9945	0	2998	11440	0	3353	13532	0	3482	13980	0	3554	14757	0	3590	
	20	6991	0	2728	8493	0	2800	9394	0	2951	9995	0	3052	11497	0	3411	13600	0	3590	14051	0	3590	14802	0	3590	
	22	7026	0	2764	8535	0	2836	9441	0	3013	10045	0	3130	11555	0	3493	13627	0	3590	14079	0	3590	14831	0	3590	
	24	7061	0	2800	8578	0	2872	9488	0	3072	10095	0	3206	11612	0	3576	13654	0	3590	14107	0	3590	14861	0	3590	
(3.5+3.5) + (1.8+2.5+3.5)	16	6921	0	2657	8408	0	2728	9300	0	2845	9895	0	2922	11382	0	3270	13464	0	3314	13910	0	3403	14654	0	3572	
	18	6956	0	2693	8450	0	2764	9347	0	2904	9945	0	2998	11440	0	3353	13532	0	3482	13980	0	3554	14757	0	3590	
	20	6991	0	2728	8493	0	2800	9394	0	2951	9995	0	3052	11497	0	3411	13600	0	3590	14051	0	3590	14802	0	3590	
	22	7026	0	2764	8535	0	2836	9441	0	3013	10045	0	3130	11555	0	3493	13627	0	3590	14079	0	3590	14831	0	3590	
	24	7061	0	2800	8578	0	2872	9488	0	3072	10095	0	3206	11612	0	3576	13654	0	3590	14107	0	3590	14861	0	3590	
(3.5+3.5) + (1.8+3.5+3.5)	16	6921	0	2657	8408	0	2728	9300	0	2845	9895	0	2922	11382	0	3270	13464	0	3314	13910	0	3403	14654	0	3572	
	18	6956	0	2693	8450	0	2764	9347	0	2904	9945	0	2998	11440	0	3353	13532	0	3482	13980	0	3554	14757	0	3590	
	20	6991	0	2728	8493	0	2800	9394	0	2951	9995	0	3052	11497	0	3411	13600	0	3590	14051	0	3590	14802	0	3590	
	22	7026	0	2764	8535	0	2836	9441	0	3013	10045	0	3130	11555	0	3493	13627	0	3590	14079	0	3590	14831	0	3590	
	24	7061	0	2800	8578	0	2872	9488	0	3072	10095	0	3206	11612	0	3576	13654	0	3590	14107	0	3590	14861	0	3590	
(2.5+2.5) + (2.5+2.5+2.5)	16	6921	0	2679	8408	0	2751	9300	0	2868	9895	0	2947	11382	0	3298	13464	0	3341	13910	0	3432	14654	0	3602	
	18	6956	0	2715	8450	0	2787	9347	0	2929	9945	0	3023	11440	0	3381	13532	0	3511	13980	0	3584	14757	0	3620	
	20	6991	0	2751	8493	0	2824	9394	0	2976	9995	0	3077	11497	0	3439	13600	0	3620	14051	0	3620	14802	0	3620	
	22	7026	0	2787	8535	0	2860	9441	0	3038	10045	0	3157	11555	0	3522	13627	0	3620	14079	0	3620	14831	0	3620	
	24	7061	0	2824	8578	0	2896	9488	0	3098	10095	0	3233	11612	0	3606	13654	0	3620	14107	0	3620	14861	0	3620	
(2.5+3.5) + (2.5+2.5+2.5)	16	6921	0	2679	8408	0	2751	9300	0	2868	9895	0	2947	11382	0	3298	13464	0	3341	13910	0	3432	14654	0	3602	
	18	6956	0	2715	8450	0	2787	9347	0	2929	9945	0	3023	11440	0	3381	13532	0	3511	13980	0	3584	14757	0	3620	
	20	6991	0	2751	8493	0	2824	9394	0	2976	9995	0	3077	11497	0	3439	13600	0	3620	14051	0	3620	14802	0	3620	
	22	7026	0	2787	8535	0	2860	9441	0	3038	10045	0	3157	11555	0	3522	13627	0	3620	14079	0	3620	14831	0	3620	
	24	7061	0	2824	8578	0	2896	9488	0	3098	10095	0	3233	11612	0	3606	13654	0	3620	14107	0	3620	14861	0	3620	

	INDOOR		OUTDOOR TEMPERATURE (°CDB)																							
	EDB	-15			-10			-7			-5			0			7			10			15			
		°C	TC	SHC	PI	TC	SHC	PI	TC	SHC	PI	TC	SHC	PI	TC	SHC	PI	TC	SHC	PI	TC	SHC	PI	TC	SHC	PI
(2.5+5.0) + (2.5+2.5+2.5)	16	6921	0	2657	8408	0	2728	9300	0	2845	9895	0	2922	11382	0	3270	13464	0	3314	13910	0	3403	14654	0	3572	
	18	6956	0	2693	8450	0	2764	9347	0	2904	9945	0	2998	11440	0	3353	13532	0	3482	13980	0	3554	14757	0	3590	
	20	6991	0	2728	8493	0	2800	9394	0	2951	9995	0	3052	11497	0	3411	13600	0	3590	14051	0	3590	14802	0	3590	
	22	7026	0	2764	8535	0	2836	9441	0	3013	10045	0	3130	11555	0	3493	13627	0	3590	14079	0	3590	14831	0	3590	
	24	7061	0	2800	8578	0	2872	9488	0	3072	10095	0	3206	11612	0	3576	13654	0	3590	14107	0	3590	14861	0	3590	
(3.5+3.5) + (2.5+2.5+2.5)	16	6921	0	2657	8408	0	2728	9300	0	2845	9895	0	2922	11382	0	3270	13464	0	3314	13910	0	3403	14654	0	3572	
	18	6956	0	2693	8450	0	2764	9347	0	2904	9945	0	2998	11440	0	3353	13532	0	3482	13980	0	3554	14757	0	3590	
	20	6991	0	2728	8493	0	2800	9394	0	2951	9995	0	3052	11497	0	3411	13600	0	3590	14051	0	3590	14802	0	3590	
	22	7026	0	2764	8535	0	2836	9441	0	3013	10045	0	3130	11555	0	3493	13627	0	3590	14079	0	3590	14831	0	3590	
	24	7061	0	2800	8578	0	2872	9488	0	3072	10095	0	3206	11612	0	3576	13654	0	3590	14107	0	3590	14861	0	3590	
(2.5+5.0) + (2.5+2.5+3.5)	16	6921	0	2657	8408	0	2728	9300	0	2845	9895	0	2922	11382	0	3270	13464	0	3314	13910	0	3403	14654	0	3572	
	18	6956	0	2693	8450	0	2764	9347	0	2904	9945	0	2998	11440	0	3353	13532	0	3482	13980	0	3554	14757	0	3590	
	20	6991	0	2728	8493	0	2800	9394	0	2951	9995	0	3052	11497	0	3411	13600	0	3590	14051	0	3590	14802	0	3590	
	22	7026	0	2764	8535	0	2836	9441	0	3013	10045	0	3130	11555	0	3493	13627	0	3590	14079	0	3590	14831	0	3590	
	24	7061	0	2800	8578	0	2872	9488	0	3072	10095	0	3206	11612	0	3576	13654	0	3590	14107	0	3590	14861	0	3590	
(3.5+3.5) + (2.5+2.5+3.5)	16	6921	0	2657	8408	0	2728	9300	0	2845	9895	0	2922	11382	0	3270	13464	0	3314	13910	0	3403	14654	0	3572	
	18	6956	0	2693	8450	0	2764	9347	0	2904	9945	0	2998	11440	0	3353	13532	0	3482	13980	0	3554	14757	0	3590	
	20	6991	0	2728	8493	0	2800	9394	0	2951	9995	0	3052	11497	0	3411	13600	0	3590	14051	0	3590	14802	0	3590	
	22	7026	0	2764	8535	0	2836	9441	0	3013	10045	0	3130	11555	0	3493	13627	0	3590	14079	0	3590	14831	0	3590	
	24	7061	0	2800	8578	0	2872	9488	0	3072	10095	0	3206	11612	0	3576	13654	0	3590	14107	0	3590	14861	0	3590	
(3.5+5.0) + (2.5+2.5+3.5)	16	6921	0	2657	8408	0	2728	9300	0	2845	9895	0	2922	11382	0	3270	13464	0	3314	13910	0	3403	14654	0	3572	
	18	6956	0	2693	8450	0	2764	9347	0	2904	9945	0	2998	11440	0	3353	13532	0	3482	13980	0	3554	14757	0	3590	
	20	6991	0	2728	8493	0	2800	9394	0	2951	9995	0	3052	11497	0	3411	13600	0	3590	14051	0	3590	14802	0	3590	
	22	7026	0	2764	8535	0	2836	9441	0	3013	10045	0	3130	11555	0	3493	13627	0	3590	14079	0	3590	14831	0	3590	
	24	7061	0	2800	8578	0	2872	9488	0	3072	10095	0	3206	11612	0	3576	13654	0	3590	14107	0	3590	14861	0	3590	
(1.5+1.5+1.5) + (1.5+1.5+1.5)	16	6107	0	2486	7419	0	2554	8206	0	2662	8731	0	2735	10043	0	3061	11880	0	3101	12274	0	3185	12930	0	3343	
	18	6137	0	2520	7456	0	2587	8247	0	2718	8775	0	2806	10094	0	3138	11940	0	3259	12336	0	3326	13021	0	3360	
	20	6168	0	2554	7494	0	2621	8289	0	2762	8819	0	2856	10144	0	3192	12000	0	3360	12398	0	3360	13060	0	3360	
	22	6199	0	2587	7531	0	2654	8330	0	2820	8863	0	2930	10195	0	3269	12024	0	3360	12422	0	3360	13086	0	3360	
	24	6230	0	2621	7569	0	2688	8372	0	2875	8907	0	3000	10246	0	3347	12048	0	3360	12447	0	3360	13113	0	3360	
(1.5+1.5+1.5) + (1.5+1.5+1.8)	16	6361	0	2531	7728	0	2599	8548	0	2710	9095	0	2784	10461	0	3116	12375	0	3157	12785	0	3242	13468	0	3403	
	18	6393	0	2565	7767	0	2633	8591	0	2767	9141	0	2856	10514	0	3194	12438	0	3317	12850	0	3386	13564	0	3420	
	20	6425	0	2599	7806	0	2668	8634	0	2811	9187	0	2907	10567	0	3249	12500	0	3420	12914	0	3420	13605	0	3420	
	22	6457	0	2633	7845	0	2702	8677	0	2870	9232	0	2982	10620	0	3328	12525	0	3420	12940	0	3420	13632	0	3420	
	24	6490	0	2668	7884	0	2736	8721	0	2927	9278	0	3054	10673	0	3406	12550	0	3420	12966	0	3420	13659	0	3420	
(1.5+1.5+1.5) + (1.5+1.5+2.5)	16	6514	0	2575	7913	0	2645	8753	0	2758	9313	0	2833	10713	0	3170	12672	0	3212	13092	0	3299	13792	0	3463	
	18	6547	0	2610	7953	0	2680	8797	0	2815	9360	0	2906	10767	0	3250	12736	0	3376	13158	0	3445	13889	0	3480	
	20	6579	0	2645	7993	0	2714	8841	0	2861	9407	0	2958	10821	0	3306	12800	0	3480	13224	0	3480	13931	0	3480	
	22	6612	0	2680	8033	0	2749	8886	0	2920	9454	0	3035	10875	0	3386	12826	0	3480	13251	0	3480	13959	0	3480	
	24	6645	0	2714	8073	0	2784	8930	0	2978	9501	0	3108	10929	0	3466	12851	0	3480	13277	0	3480	13987	0	3480	





	INDOOR		OUTDOOR TEMPERATURE (°CDB)																							
	EDB	-15			-10			-7			-5			0			7			10			15			
		°C	TC	SHC	PI	TC	SHC	PI	TC	SHC	PI	TC	SHC	PI	TC	SHC	PI	TC	SHC	PI	TC	SHC	PI	TC	SHC	PI
(1.5+1.5+1.5) + (2.5+2.5+2.5)	16	6514	0	2575	7913	0	2645	8753	0	2758	9313	0	2833	10713	0	3170	12672	0	3212	13092	0	3299	13792	0	3463	
	18	6547	0	2610	7953	0	2680	8797	0	2815	9360	0	2906	10767	0	3250	12736	0	3376	13158	0	3445	13889	0	3480	
	20	6579	0	2645	7993	0	2714	8841	0	2861	9407	0	2958	10821	0	3306	12800	0	3480	13224	0	3480	13931	0	3480	
	22	6612	0	2680	8033	0	2749	8886	0	2920	9454	0	3035	10875	0	3386	12826	0	3480	13251	0	3480	13959	0	3480	
	24	6645	0	2714	8073	0	2784	8930	0	2978	9501	0	3108	10929	0	3466	12851	0	3480	13277	0	3480	13987	0	3480	
(1.5+1.5+1.5) + (2.5+2.5+3.5)	16	6514	0	2575	7913	0	2645	8753	0	2758	9313	0	2833	10713	0	3170	12672	0	3212	13092	0	3299	13792	0	3463	
	18	6547	0	2610	7953	0	2680	8797	0	2815	9360	0	2906	10767	0	3250	12736	0	3376	13158	0	3445	13889	0	3480	
	20	6579	0	2645	7993	0	2714	8841	0	2861	9407	0	2958	10821	0	3306	12800	0	3480	13224	0	3480	13931	0	3480	
	22	6612	0	2680	8033	0	2749	8886	0	2920	9454	0	3035	10875	0	3386	12826	0	3480	13251	0	3480	13959	0	3480	
	24	6645	0	2714	8073	0	2784	8930	0	2978	9501	0	3108	10929	0	3466	12851	0	3480	13277	0	3480	13987	0	3480	
(1.5+1.5+1.8) + (1.5+1.5+1.5)	16	6361	0	2531	7728	0	2599	8548	0	2710	9095	0	2784	10461	0	3116	12375	0	3157	12785	0	3242	13468	0	3403	
	18	6393	0	2565	7767	0	2633	8591	0	2767	9141	0	2856	10514	0	3194	12438	0	3317	12850	0	3386	13564	0	3420	
	20	6425	0	2599	7806	0	2668	8634	0	2811	9187	0	2907	10567	0	3249	12500	0	3420	12914	0	3420	13605	0	3420	
	22	6457	0	2633	7845	0	2702	8677	0	2870	9232	0	2982	10620	0	3328	12525	0	3420	12940	0	3420	13632	0	3420	
	24	6490	0	2668	7884	0	2736	8721	0	2927	9278	0	3054	10673	0	3406	12550	0	3420	12966	0	3420	13659	0	3420	
(1.5+1.5+1.8) + (1.5+1.5+1.8)	16	6615	0	2575	8037	0	2645	8890	0	2758	9458	0	2833	10880	0	3170	12870	0	3212	13296	0	3299	14007	0	3463	
	18	6649	0	2610	8078	0	2680	8935	0	2815	9506	0	2906	10935	0	3250	12935	0	3376	13364	0	3445	14106	0	3480	
	20	6682	0	2645	8118	0	2714	8980	0	2861	9554	0	2958	10990	0	3306	13000	0	3480	13431	0	3480	14149	0	3480	
	22	6716	0	2680	8159	0	2749	9025	0	2920	9602	0	3035	11045	0	3386	13026	0	3480	13458	0	3480	14177	0	3480	
	24	6749	0	2714	8199	0	2784	9069	0	2978	9649	0	3108	11100	0	3466	13052	0	3480	13484	0	3480	14205	0	3480	
(1.5+1.5+1.8) + (1.5+1.5+2.5)	16	6768	0	2620	8222	0	2690	9095	0	2805	9677	0	2882	11131	0	3225	13167	0	3267	13603	0	3356	14330	0	3522	
	18	6802	0	2655	8264	0	2726	9141	0	2864	9726	0	2956	11187	0	3306	13234	0	3434	13672	0	3505	14432	0	3540	
	20	6836	0	2690	8305	0	2761	9187	0	2910	9774	0	3009	11243	0	3363	13300	0	3540	13741	0	3540	14475	0	3540	
	22	6871	0	2726	8347	0	2797	9233	0	2971	9823	0	3087	11300	0	3444	13327	0	3540	13768	0	3540	14504	0	3540	
	24	6905	0	2761	8389	0	2832	9279	0	3030	9872	0	3161	11356	0	3526	13353	0	3540	13796	0	3540	14533	0	3540	
(1.5+1.5+1.8) + (1.5+1.5+3.5)	16	6768	0	2620	8222	0	2690	9095	0	2805	9677	0	2882	11131	0	3225	13167	0	3267	13603	0	3356	14330	0	3522	
	18	6802	0	2655	8264	0	2726	9141	0	2864	9726	0	2956	11187	0	3306	13234	0	3434	13672	0	3505	14432	0	3540	
	20	6836	0	2690	8305	0	2761	9187	0	2910	9774	0	3009	11243	0	3363	13300	0	3540	13741	0	3540	14475	0	3540	
	22	6871	0	2726	8347	0	2797	9233	0	2971	9823	0	3087	11300	0	3444	13327	0	3540	13768	0	3540	14504	0	3540	
	24	6905	0	2761	8389	0	2832	9279	0	3030	9872	0	3161	11356	0	3526	13353	0	3540	13796	0	3540	14533	0	3540	
(1.5+1.5+1.8) + (1.5+1.5+5.0)	16	6768	0	2620	8222	0	2690	9095	0	2805	9677	0	2882	11131	0	3225	13167	0	3267	13603	0	3356	14330	0	3522	
	18	6802	0	2655	8264	0	2726	9141	0	2864	9726	0	2956	11187	0	3306	13234	0	3434	13672	0	3505	14432	0	3540	
	20	6836	0	2690	8305	0	2761	9187	0	2910	9774	0	3009	11243	0	3363	13300	0	3540	13741	0	3540	14475	0	3540	
	22	6871	0	2726	8347	0	2797	9233	0	2971	9823	0	3087	11300	0	3444	13327	0	3540	13768	0	3540	14504	0	3540	
	24	6905	0	2761	8389	0	2832	9279	0	3030	9872	0	3161	11356	0	3526	13353	0	3540	13796	0	3540	14533	0	3540	
(1.5+1.5+1.8) + (1.5+1.8+1.8)	16	6768	0	2620	8222	0	2690	9095	0	2805	9677	0	2882	11131	0	3225	13167	0	3267	13603	0	3356	14330	0	3522	
	18	6802	0	2655	8264	0	2726	9141	0	2864	9726	0	2956	11187	0	3306	13234	0	3434	13672	0	3505	14432	0	3540	
	20	6836	0	2690	8305	0	2761	9187	0	2910	9774	0	3009	11243	0	3363	13300	0	3540	13741	0	3540	14475	0	3540	
	22	6871	0	2726	8347	0	2797	9233	0	2971	9823	0	3087	11300	0	3444	13327	0	3540	13768	0	3540	14504	0	3540	
	24	6905	0	2761	8389	0	2832	9279	0	3030	9872	0	3161	11356	0	3526	13353	0	3540	13796	0	3540	14533	0	3540	



	INDOOR		OUTDOOR TEMPERATURE (°CDB)																							
	EDB	-15			-10			-7			-5			0			7			10			15			
		°C	TC	SHC	PI	TC	SHC	PI	TC	SHC	PI	TC	SHC	PI	TC	SHC	PI	TC	SHC	PI	TC	SHC	PI	TC	SHC	PI
(1.5+1.5+1.8) + (1.8+1.8+3.5)	16	6768	0	2620	8222	0	2690	9095	0	2805	9677	0	2882	11131	0	3225	13167	0	3267	13603	0	3356	14330	0	3522	
	18	6802	0	2655	8264	0	2726	9141	0	2864	9726	0	2956	11187	0	3306	13234	0	3434	13672	0	3505	14432	0	3540	
	20	6836	0	2690	8305	0	2761	9187	0	2910	9774	0	3009	11243	0	3363	13300	0	3540	13741	0	3540	14475	0	3540	
	22	6871	0	2726	8347	0	2797	9233	0	2971	9823	0	3087	11300	0	3444	13327	0	3540	13768	0	3540	14504	0	3540	
	24	6905	0	2761	8389	0	2832	9279	0	3030	9872	0	3161	11356	0	3526	13353	0	3540	13796	0	3540	14533	0	3540	
(1.5+1.5+1.8) + (1.8+1.8+5.0)	16	6768	0	2620	8222	0	2690	9095	0	2805	9677	0	2882	11131	0	3225	13167	0	3267	13603	0	3356	14330	0	3522	
	18	6802	0	2655	8264	0	2726	9141	0	2864	9726	0	2956	11187	0	3306	13234	0	3434	13672	0	3505	14432	0	3540	
	20	6836	0	2690	8305	0	2761	9187	0	2910	9774	0	3009	11243	0	3363	13300	0	3540	13741	0	3540	14475	0	3540	
	22	6871	0	2726	8347	0	2797	9233	0	2971	9823	0	3087	11300	0	3444	13327	0	3540	13768	0	3540	14504	0	3540	
	24	6905	0	2761	8389	0	2832	9279	0	3030	9872	0	3161	11356	0	3526	13353	0	3540	13796	0	3540	14533	0	3540	
(1.5+1.5+1.8) + (1.8+2.5+2.5)	16	6768	0	2620	8222	0	2690	9095	0	2805	9677	0	2882	11131	0	3225	13167	0	3267	13603	0	3356	14330	0	3522	
	18	6802	0	2655	8264	0	2726	9141	0	2864	9726	0	2956	11187	0	3306	13234	0	3434	13672	0	3505	14432	0	3540	
	20	6836	0	2690	8305	0	2761	9187	0	2910	9774	0	3009	11243	0	3363	13300	0	3540	13741	0	3540	14475	0	3540	
	22	6871	0	2726	8347	0	2797	9233	0	2971	9823	0	3087	11300	0	3444	13327	0	3540	13768	0	3540	14504	0	3540	
	24	6905	0	2761	8389	0	2832	9279	0	3030	9872	0	3161	11356	0	3526	13353	0	3540	13796	0	3540	14533	0	3540	
(1.5+1.5+1.8) + (1.8+2.5+3.5)	16	6768	0	2620	8222	0	2690	9095	0	2805	9677	0	2882	11131	0	3225	13167	0	3267	13603	0	3356	14330	0	3522	
	18	6802	0	2655	8264	0	2726	9141	0	2864	9726	0	2956	11187	0	3306	13234	0	3434	13672	0	3505	14432	0	3540	
	20	6836	0	2690	8305	0	2761	9187	0	2910	9774	0	3009	11243	0	3363	13300	0	3540	13741	0	3540	14475	0	3540	
	22	6871	0	2726	8347	0	2797	9233	0	2971	9823	0	3087	11300	0	3444	13327	0	3540	13768	0	3540	14504	0	3540	
	24	6905	0	2761	8389	0	2832	9279	0	3030	9872	0	3161	11356	0	3526	13353	0	3540	13796	0	3540	14533	0	3540	
(1.5+1.5+1.8) + (2.5+2.5+2.5)	16	6768	0	2620	8222	0	2690	9095	0	2805	9677	0	2882	11131	0	3225	13167	0	3267	13603	0	3356	14330	0	3522	
	18	6802	0	2655	8264	0	2726	9141	0	2864	9726	0	2956	11187	0	3306	13234	0	3434	13672	0	3505	14432	0	3540	
	20	6836	0	2690	8305	0	2761	9187	0	2910	9774	0	3009	11243	0	3363	13300	0	3540	13741	0	3540	14475	0	3540	
	22	6871	0	2726	8347	0	2797	9233	0	2971	9823	0	3087	11300	0	3444	13327	0	3540	13768	0	3540	14504	0	3540	
	24	6905	0	2761	8389	0	2832	9279	0	3030	9872	0	3161	11356	0	3526	13353	0	3540	13796	0	3540	14533	0	3540	
(1.5+1.5+1.8) + (2.5+2.5+3.5)	16	6768	0	2620	8222	0	2690	9095	0	2805	9677	0	2882	11131	0	3225	13167	0	3267	13603	0	3356	14330	0	3522	
	18	6802	0	2655	8264	0	2726	9141	0	2864	9726	0	2956	11187	0	3306	13234	0	3434	13672	0	3505	14432	0	3540	
	20	6836	0	2690	8305	0	2761	9187	0	2910	9774	0	3009	11243	0	3363	13300	0	3540	13741	0	3540	14475	0	3540	
	22	6871	0	2726	8347	0	2797	9233	0	2971	9823	0	3087	11300	0	3444	13327	0	3540	13768	0	3540	14504	0	3540	
	24	6905	0	2761	8389	0	2832	9279	0	3030	9872	0	3161	11356	0	3526	13353	0	3540	13796	0	3540	14533	0	3540	
(1.5+1.5+2.5) + (1.5+1.5+1.5)	16	6514	0	2575	7913	0	2645	8753	0	2758	9313	0	2833	10713	0	3170	12672	0	3212	13092	0	3299	13792	0	3463	
	18	6547	0	2610	7953	0	2680	8797	0	2815	9360	0	2906	10767	0	3250	12736	0	3376	13158	0	3445	13889	0	3480	
	20	6579	0	2645	7993	0	2714	8841	0	2861	9407	0	2958	10821	0	3306	12800	0	3480	13224	0	3480	13931	0	3480	
	22	6612	0	2680	8033	0	2749	8886	0	2920	9454	0	3035	10875	0	3386	12826	0	3480	13251	0	3480	13959	0	3480	
	24	6645	0	2714	8073	0	2784	8930	0	2978	9501	0	3108	10929	0	3466	12851	0	3480	13277	0	3480	13987	0	3480	



	INDOOR		OUTDOOR TEMPERATURE (°CDB)																							
	EDB	-15			-10			-7			-5			0			7			10			15			
		°C	TC	SHC	PI	TC	SHC	PI	TC	SHC	PI	TC	SHC	PI	TC	SHC	PI	TC	SHC	PI	TC	SHC	PI	TC	SHC	PI
(1.5+1.5+2.5) + (1.5+1.5+1.8)	16	6768	0	2620	8222	0	2690	9095	0	2805	9677	0	2882	11131	0	3225	13167	0	3267	13603	0	3356	14330	0	3522	
	18	6802	0	2655	8264	0	2726	9141	0	2864	9726	0	2956	11187	0	3306	13234	0	3434	13672	0	3505	14432	0	3540	
	20	6836	0	2690	8305	0	2761	9187	0	2910	9774	0	3009	11243	0	3363	13300	0	3540	13741	0	3540	14475	0	3540	
	22	6871	0	2726	8347	0	2797	9233	0	2971	9823	0	3087	11300	0	3444	13327	0	3540	13768	0	3540	14504	0	3540	
	24	6905	0	2761	8389	0	2832	9279	0	3030	9872	0	3161	11356	0	3526	13353	0	3540	13796	0	3540	14533	0	3540	
(1.5+1.5+2.5) + (1.5+1.5+2.5)	16	6921	0	2664	8408	0	2736	9300	0	2853	9895	0	2930	11382	0	3280	13464	0	3323	13910	0	3413	14654	0	3582	
	18	6956	0	2700	8450	0	2772	9347	0	2912	9945	0	3006	11440	0	3362	13532	0	3492	13980	0	3564	14757	0	3600	
	20	6991	0	2736	8493	0	2808	9394	0	2959	9995	0	3060	11497	0	3420	13600	0	3600	14051	0	3600	14802	0	3600	
	22	7026	0	2772	8535	0	2844	9441	0	3021	10045	0	3139	11555	0	3503	13627	0	3600	14079	0	3600	14831	0	3600	
	24	7061	0	2808	8578	0	2880	9488	0	3081	10095	0	3215	11612	0	3586	13654	0	3600	14107	0	3600	14861	0	3600	
(1.5+1.5+2.5) + (1.5+1.5+3.5)	16	6921	0	2664	8408	0	2736	9300	0	2853	9895	0	2930	11382	0	3280	13464	0	3323	13910	0	3413	14654	0	3582	
	18	6956	0	2700	8450	0	2772	9347	0	2912	9945	0	3006	11440	0	3362	13532	0	3492	13980	0	3564	14757	0	3600	
	20	6991	0	2736	8493	0	2808	9394	0	2959	9995	0	3060	11497	0	3420	13600	0	3600	14051	0	3600	14802	0	3600	
	22	7026	0	2772	8535	0	2844	9441	0	3021	10045	0	3139	11555	0	3503	13627	0	3600	14079	0	3600	14831	0	3600	
	24	7061	0	2808	8578	0	2880	9488	0	3081	10095	0	3215	11612	0	3586	13654	0	3600	14107	0	3600	14861	0	3600	
(1.5+1.5+2.5) + (1.5+1.5+5.0)	16	6921	0	2664	8408	0	2736	9300	0	2853	9895	0	2930	11382	0	3280	13464	0	3323	13910	0	3413	14654	0	3582	
	18	6956	0	2700	8450	0	2772	9347	0	2912	9945	0	3006	11440	0	3362	13532	0	3492	13980	0	3564	14757	0	3600	
	20	6991	0	2736	8493	0	2808	9394	0	2959	9995	0	3060	11497	0	3420	13600	0	3600	14051	0	3600	14802	0	3600	
	22	7026	0	2772	8535	0	2844	9441	0	3021	10045	0	3139	11555	0	3503	13627	0	3600	14079	0	3600	14831	0	3600	
	24	7061	0	2808	8578	0	2880	9488	0	3081	10095	0	3215	11612	0	3586	13654	0	3600	14107	0	3600	14861	0	3600	
(1.5+1.5+2.5) + (1.5+1.8+1.8)	16	6921	0	2664	8408	0	2736	9300	0	2853	9895	0	2930	11382	0	3280	13464	0	3323	13910	0	3413	14654	0	3582	
	18	6956	0	2700	8450	0	2772	9347	0	2912	9945	0	3006	11440	0	3362	13532	0	3492	13980	0	3564	14757	0	3600	
	20	6991	0	2736	8493	0	2808	9394	0	2959	9995	0	3060	11497	0	3420	13600	0	3600	14051	0	3600	14802	0	3600	
	22	7026	0	2772	8535	0	2844	9441	0	3021	10045	0	3139	11555	0	3503	13627	0	3600	14079	0	3600	14831	0	3600	
	24	7061	0	2808	8578	0	2880	9488	0	3081	10095	0	3215	11612	0	3586	13654	0	3600	14107	0	3600	14861	0	3600	
(1.5+1.5+2.5) + (1.5+1.8+2.5)	16	6921	0	2664	8408	0	2736	9300	0	2853	9895	0	2930	11382	0	3280	13464	0	3323	13910	0	3413	14654	0	3582	
	18	6956	0	2700	8450	0	2772	9347	0	2912	9945	0	3006	11440	0	3362	13532	0	3492	13980	0	3564	14757	0	3600	
	20	6991	0	2736	8493	0	2808	9394	0	2959	9995	0	3060	11497	0	3420	13600	0	3600	14051	0	3600	14802	0	3600	
	22	7026	0	2772	8535	0	2844	9441	0	3021	10045	0	3139	11555	0	3503	13627	0	3600	14079	0	3600	14831	0	3600	
	24	7061	0	2808	8578	0	2880	9488	0	3081	10095	0	3215	11612	0	3586	13654	0	3600	14107	0	3600	14861	0	3600	
(1.5+1.5+2.5) + (1.5+1.8+3.5)	16	6921	0	2664	8408	0	2736	9300	0	2853	9895	0	2930	11382	0	3280	13464	0	3323	13910	0	3413	14654	0	3582	
	18	6956	0	2700	8450	0	2772	9347	0	2912	9945	0	3006	11440	0	3362	13532	0	3492	13980	0	3564	14757	0	3600	
	20	6991	0	2736	8493	0	2808	9394	0	2959	9995	0	3060	11497	0	3420	13600	0	3600	14051	0	3600	14802	0	3600	
	22	7026	0	2772	8535	0	2844	9441	0	3021	10045	0	3139	11555	0	3503	13627	0	3600	14079	0	3600	14831	0	3600	
	24	7061	0	2808	8578	0	2880	9488	0	3081	10095	0	3215	11612	0	3586	13654	0	3600	14107	0	3600	14861	0	3600	
(1.5+1.5+2.5) + (1.5+1.8+5.0)	16	6921	0	2664	8408	0	2736	9300	0	2853	9895	0	2930	11382	0	3280	13464	0	3323	13910	0	3413	14654	0	3582	
	18	6956	0	2700	8450	0	2772	9347	0	2912	9945	0	3006	11440	0	3362	13532	0	3492	13980	0	3564	14757	0	3600	
	20	6991	0	2736	8493	0	2808	9394	0	2959	9995	0	3060	11497	0	3420	13600	0	3600	14051	0	3600	14802	0	3600	
	22	7026	0	2772	8535	0	2844	9441	0	3021	10045	0	3139	11555	0	3503	13627	0	3600	14079	0	3600	14831	0	3600	
	24	7061	0	2808	8578	0	2880	9488	0	3081	10095	0	3215	11612	0	3586	13654	0	3600	14107	0	3600	14861	0	3600	



	INDOOR		OUTDOOR TEMPERATURE (°CDB)																							
	EDB	-15			-10			-7			-5			0			7			10			15			
		°C	TC	SHC	PI	TC	SHC	PI	TC	SHC	PI	TC	SHC	PI	TC	SHC	PI	TC	SHC	PI	TC	SHC	PI	TC	SHC	PI
(1.5+1.5+2.5) + (1.8+2.5+3.5)	16	6921	0	2664	8408	0	2736	9300	0	2853	9895	0	2930	11382	0	3280	13464	0	3323	13910	0	3413	14654	0	3582	
	18	6956	0	2700	8450	0	2772	9347	0	2912	9945	0	3006	11440	0	3362	13532	0	3492	13980	0	3564	14757	0	3600	
	20	6991	0	2736	8493	0	2808	9394	0	2959	9995	0	3060	11497	0	3420	13600	0	3600	14051	0	3600	14802	0	3600	
	22	7026	0	2772	8535	0	2844	9441	0	3021	10045	0	3139	11555	0	3503	13627	0	3600	14079	0	3600	14831	0	3600	
	24	7061	0	2808	8578	0	2880	9488	0	3081	10095	0	3215	11612	0	3586	13654	0	3600	14107	0	3600	14861	0	3600	
(1.5+1.5+2.5) + (1.8+3.5+3.5)	16	6921	0	2664	8408	0	2736	9300	0	2853	9895	0	2930	11382	0	3280	13464	0	3323	13910	0	3413	14654	0	3582	
	18	6956	0	2700	8450	0	2772	9347	0	2912	9945	0	3006	11440	0	3362	13532	0	3492	13980	0	3564	14757	0	3600	
	20	6991	0	2736	8493	0	2808	9394	0	2959	9995	0	3060	11497	0	3420	13600	0	3600	14051	0	3600	14802	0	3600	
	22	7026	0	2772	8535	0	2844	9441	0	3021	10045	0	3139	11555	0	3503	13627	0	3600	14079	0	3600	14831	0	3600	
	24	7061	0	2808	8578	0	2880	9488	0	3081	10095	0	3215	11612	0	3586	13654	0	3600	14107	0	3600	14861	0	3600	
(1.5+1.5+2.5) + (2.5+2.5+2.5)	16	6921	0	2664	8408	0	2736	9300	0	2853	9895	0	2930	11382	0	3280	13464	0	3323	13910	0	3413	14654	0	3582	
	18	6956	0	2700	8450	0	2772	9347	0	2912	9945	0	3006	11440	0	3362	13532	0	3492	13980	0	3564	14757	0	3600	
	20	6991	0	2736	8493	0	2808	9394	0	2959	9995	0	3060	11497	0	3420	13600	0	3600	14051	0	3600	14802	0	3600	
	22	7026	0	2772	8535	0	2844	9441	0	3021	10045	0	3139	11555	0	3503	13627	0	3600	14079	0	3600	14831	0	3600	
	24	7061	0	2808	8578	0	2880	9488	0	3081	10095	0	3215	11612	0	3586	13654	0	3600	14107	0	3600	14861	0	3600	
(1.5+1.5+2.5) + (2.5+2.5+3.5)	16	6921	0	2664	8408	0	2736	9300	0	2853	9895	0	2930	11382	0	3280	13464	0	3323	13910	0	3413	14654	0	3582	
	18	6956	0	2700	8450	0	2772	9347	0	2912	9945	0	3006	11440	0	3362	13532	0	3492	13980	0	3564	14757	0	3600	
	20	6991	0	2736	8493	0	2808	9394	0	2959	9995	0	3060	11497	0	3420	13600	0	3600	14051	0	3600	14802	0	3600	
	22	7026	0	2772	8535	0	2844	9441	0	3021	10045	0	3139	11555	0	3503	13627	0	3600	14079	0	3600	14831	0	3600	
	24	7061	0	2808	8578	0	2880	9488	0	3081	10095	0	3215	11612	0	3586	13654	0	3600	14107	0	3600	14861	0	3600	
(1.5+1.5+3.5) + (1.5+1.5+1.5)	16	6514	0	2575	7913	0	2645	8753	0	2758	9313	0	2833	10713	0	3170	12672	0	3212	13092	0	3299	13792	0	3463	
	18	6547	0	2610	7953	0	2680	8797	0	2815	9360	0	2906	10767	0	3250	12736	0	3376	13158	0	3445	13889	0	3480	
	20	6579	0	2645	7993	0	2714	8841	0	2861	9407	0	2958	10821	0	3306	12800	0	3480	13224	0	3480	13931	0	3480	
	22	6612	0	2680	8033	0	2749	8886	0	2920	9454	0	3035	10875	0	3386	12826	0	3480	13251	0	3480	13959	0	3480	
	24	6645	0	2714	8073	0	2784	8930	0	2978	9501	0	3108	10929	0	3466	12851	0	3480	13277	0	3480	13987	0	3480	
(1.5+1.5+3.5) + (1.5+1.5+1.8)	16	6768	0	2620	8222	0	2690	9095	0	2805	9677	0	2882	11131	0	3225	13167	0	3267	13603	0	3356	14330	0	3522	
	18	6802	0	2655	8264	0	2726	9141	0	2864	9726	0	2956	11187	0	3306	13234	0	3434	13672	0	3505	14432	0	3540	
	20	6836	0	2690	8305	0	2761	9187	0	2910	9774	0	3009	11243	0	3363	13300	0	3540	13741	0	3540	14475	0	3540	
	22	6871	0	2726	8347	0	2797	9233	0	2971	9823	0	3087	11300	0	3444	13327	0	3540	13768	0	3540	14504	0	3540	
	24	6905	0	2761	8389	0	2832	9279	0	3030	9872	0	3161	11356	0	3526	13353	0	3540	13796	0	3540	14533	0	3540	
(1.5+1.5+3.5) + (1.5+1.5+2.5)	16	6921	0	2664	8408	0	2736	9300	0	2853	9895	0	2930	11382	0	3280	13464	0	3323	13910	0	3413	14654	0	3582	
	18	6956	0	2700	8450	0	2772	9347	0	2912	9945	0	3006	11440	0	3362	13532	0	3492	13980	0	3564	14757	0	3600	
	20	6991	0	2736	8493	0	2808	9394	0	2959	9995	0	3060	11497	0	3420	13600	0	3600	14051	0	3600	14802	0	3600	
	22	7026	0	2772	8535	0	2844	9441	0	3021	10045	0	3139	11555	0	3503	13627	0	3600	14079	0	3600	14831	0	3600	
	24	7061	0	2808	8578	0	2880	9488	0	3081	10095	0	3215	11612	0	3586	13654	0	3600	14107	0	3600	14861	0	3600	
(1.5+1.5+3.5) + (1.5+1.5+3.5)	16	6921	0	2664	8408	0	2736	9300	0	2853	9895	0	2930	11382	0	3280	13464	0	3323	13910	0	3413	14654	0	3582	
	18	6956	0	2700	8450	0	2772	9347	0	2912	9945	0	3006	11440	0	3362	13532	0	3492	13980	0	3564	14757	0	3600	
	20	6991	0	2736	8493	0	2808	9394	0	2959	9995	0	3060	11497	0	3420	13600	0	3600	14051	0	3600	14802	0	3600	
	22	7026	0	2772	8535	0	2844	9441	0	3021	10045	0	3139	11555	0	3503	13627	0	3600	14079	0	3600	14831	0	3600	
	24	7061	0	2808	8578	0	2880	9488	0	3081	10095	0	3215	11612	0	3586	13654	0	3600	14107	0	3600	14861	0	3600	





	INDOOR		OUTDOOR TEMPERATURE (°CDB)																							
	EDB	-15			-10			-7			-5			0			7			10			15			
		°C	TC	SHC	PI	TC	SHC	PI	TC	SHC	PI	TC	SHC	PI	TC	SHC	PI	TC	SHC	PI	TC	SHC	PI	TC	SHC	PI
(1.5+1.5+3.5) +(2.5+2.5+3.5)	16	6921	0	2664	8408	0	2736	9300	0	2853	9895	0	2930	11382	0	3280	13464	0	3323	13910	0	3413	14654	0	3582	
	18	6956	0	2700	8450	0	2772	9347	0	2912	9945	0	3006	11440	0	3362	13532	0	3492	13980	0	3564	14757	0	3600	
	20	6991	0	2736	8493	0	2808	9394	0	2959	9995	0	3060	11497	0	3420	13600	0	3600	14051	0	3600	14802	0	3600	
	22	7026	0	2772	8535	0	2844	9441	0	3021	10045	0	3139	11555	0	3503	13627	0	3600	14079	0	3600	14831	0	3600	
	24	7061	0	2808	8578	0	2880	9488	0	3081	10095	0	3215	11612	0	3586	13654	0	3600	14107	0	3600	14861	0	3600	
(1.5+1.5+5.0) +(1.5+1.5+1.5)	16	6514	0	2575	7913	0	2645	8753	0	2758	9313	0	2833	10713	0	3170	12672	0	3212	13092	0	3299	13792	0	3463	
	18	6547	0	2610	7953	0	2680	8797	0	2815	9360	0	2906	10767	0	3250	12736	0	3376	13158	0	3445	13889	0	3480	
	20	6579	0	2645	7993	0	2714	8841	0	2861	9407	0	2958	10821	0	3306	12800	0	3480	13224	0	3480	13931	0	3480	
	22	6612	0	2680	8033	0	2749	8886	0	2920	9454	0	3035	10875	0	3386	12826	0	3480	13251	0	3480	13959	0	3480	
	24	6645	0	2714	8073	0	2784	8930	0	2978	9501	0	3108	10929	0	3466	12851	0	3480	13277	0	3480	13987	0	3480	
(1.5+1.5+5.0) +(1.5+1.5+1.8)	16	6768	0	2620	8222	0	2690	9095	0	2805	9677	0	2882	11131	0	3225	13167	0	3267	13603	0	3356	14330	0	3522	
	18	6802	0	2655	8264	0	2726	9141	0	2864	9726	0	2956	11187	0	3306	13234	0	3434	13672	0	3505	14432	0	3540	
	20	6836	0	2690	8305	0	2761	9187	0	2910	9774	0	3009	11243	0	3363	13300	0	3540	13741	0	3540	14475	0	3540	
	22	6871	0	2726	8347	0	2797	9233	0	2971	9823	0	3087	11300	0	3444	13327	0	3540	13768	0	3540	14504	0	3540	
	24	6905	0	2761	8389	0	2832	9279	0	3030	9872	0	3161	11356	0	3526	13353	0	3540	13796	0	3540	14533	0	3540	
(1.5+1.5+5.0) +(1.5+1.5+2.5)	16	6921	0	2664	8408	0	2736	9300	0	2853	9895	0	2930	11382	0	3280	13464	0	3323	13910	0	3413	14654	0	3582	
	18	6956	0	2700	8450	0	2772	9347	0	2912	9945	0	3006	11440	0	3362	13532	0	3492	13980	0	3564	14757	0	3600	
	20	6991	0	2736	8493	0	2808	9394	0	2959	9995	0	3060	11497	0	3420	13600	0	3600	14051	0	3600	14802	0	3600	
	22	7026	0	2772	8535	0	2844	9441	0	3021	10045	0	3139	11555	0	3503	13627	0	3600	14079	0	3600	14831	0	3600	
	24	7061	0	2808	8578	0	2880	9488	0	3081	10095	0	3215	11612	0	3586	13654	0	3600	14107	0	3600	14861	0	3600	
(1.5+1.5+5.0) +(1.5+1.5+3.5)	16	6921	0	2664	8408	0	2736	9300	0	2853	9895	0	2930	11382	0	3280	13464	0	3323	13910	0	3413	14654	0	3582	
	18	6956	0	2700	8450	0	2772	9347	0	2912	9945	0	3006	11440	0	3362	13532	0	3492	13980	0	3564	14757	0	3600	
	20	6991	0	2736	8493	0	2808	9394	0	2959	9995	0	3060	11497	0	3420	13600	0	3600	14051	0	3600	14802	0	3600	
	22	7026	0	2772	8535	0	2844	9441	0	3021	10045	0	3139	11555	0	3503	13627	0	3600	14079	0	3600	14831	0	3600	
	24	7061	0	2808	8578	0	2880	9488	0	3081	10095	0	3215	11612	0	3586	13654	0	3600	14107	0	3600	14861	0	3600	
(1.5+1.5+5.0) +(1.5+1.5+5.0)	16	6921	0	2664	8408	0	2736	9300	0	2853	9895	0	2930	11382	0	3280	13464	0	3323	13910	0	3413	14654	0	3582	
	18	6956	0	2700	8450	0	2772	9347	0	2912	9945	0	3006	11440	0	3362	13532	0	3492	13980	0	3564	14757	0	3600	
	20	6991	0	2736	8493	0	2808	9394	0	2959	9995	0	3060	11497	0	3420	13600	0	3600	14051	0	3600	14802	0	3600	
	22	7026	0	2772	8535	0	2844	9441	0	3021	10045	0	3139	11555	0	3503	13627	0	3600	14079	0	3600	14831	0	3600	
	24	7061	0	2808	8578	0	2880	9488	0	3081	10095	0	3215	11612	0	3586	13654	0	3600	14107	0	3600	14861	0	3600	
(1.5+1.5+5.0) +(1.5+1.8+1.8)	16	6921	0	2664	8408	0	2736	9300	0	2853	9895	0	2930	11382	0	3280	13464	0	3323	13910	0	3413	14654	0	3582	
	18	6956	0	2700	8450	0	2772	9347	0	2912	9945	0	3006	11440	0	3362	13532	0	3492	13980	0	3564	14757	0	3600	
	20	6991	0	2736	8493	0	2808	9394	0	2959	9995	0	3060	11497	0	3420	13600	0	3600	14051	0	3600	14802	0	3600	
	22	7026	0	2772	8535	0	2844	9441	0	3021	10045	0	3139	11555	0	3503	13627	0	3600	14079	0	3600	14831	0	3600	
	24	7061	0	2808	8578	0	2880	9488	0	3081	10095	0	3215	11612	0	3586	13654	0	3600	14107	0	3600	14861	0	3600	
(1.5+1.5+5.0) +(1.5+1.8+2.5)	16	6921	0	2664	8408	0	2736	9300	0	2853	9895	0	2930	11382	0	3280	13464	0	3323	13910	0	3413	14654	0	3582	
	18	6956	0	2700	8450	0	2772	9347	0	2912	9945	0	3006	11440	0	3362	13532	0	3492	13980	0	3564	14757	0	3600	
	20	6991	0	2736	8493	0	2808	9394	0	2959	9995	0	3060	11497	0	3420	13600	0	3600	14051	0	3600	14802	0	3600	
	22	7026	0	2772	8535	0	2844	9441	0	3021	10045	0	3139	11555	0	3503	13627	0	3600	14079	0	3600	14831	0	3600	
	24	7061	0	2808	8578	0	2880	9488	0	3081	10095	0	3215	11612	0	3586	13654	0	3600	14107	0	3600	14861	0	3600	



	INDOOR		OUTDOOR TEMPERATURE (°CDB)																							
	EDB	-15			-10			-7			-5			0			7			10			15			
		°C	TC	SHC	PI	TC	SHC	PI	TC	SHC	PI	TC	SHC	PI	TC	SHC	PI	TC	SHC	PI	TC	SHC	PI	TC	SHC	PI
(1.5+1.5+5.0) + (1.8+1.8+5.0)	16	6921	0	2664	8408	0	2736	9300	0	2853	9895	0	2930	11382	0	3280	13464	0	3323	13910	0	3413	14654	0	3582	
	18	6956	0	2700	8450	0	2772	9347	0	2912	9945	0	3006	11440	0	3362	13532	0	3492	13980	0	3564	14757	0	3600	
	20	6991	0	2736	8493	0	2808	9394	0	2959	9995	0	3060	11497	0	3420	13600	0	3600	14051	0	3600	14802	0	3600	
	22	7026	0	2772	8535	0	2844	9441	0	3021	10045	0	3139	11555	0	3503	13627	0	3600	14079	0	3600	14831	0	3600	
	24	7061	0	2808	8578	0	2880	9488	0	3081	10095	0	3215	11612	0	3586	13654	0	3600	14107	0	3600	14861	0	3600	
(1.5+1.5+5.0) + (1.8+2.5+2.5)	16	6921	0	2664	8408	0	2736	9300	0	2853	9895	0	2930	11382	0	3280	13464	0	3323	13910	0	3413	14654	0	3582	
	18	6956	0	2700	8450	0	2772	9347	0	2912	9945	0	3006	11440	0	3362	13532	0	3492	13980	0	3564	14757	0	3600	
	20	6991	0	2736	8493	0	2808	9394	0	2959	9995	0	3060	11497	0	3420	13600	0	3600	14051	0	3600	14802	0	3600	
	22	7026	0	2772	8535	0	2844	9441	0	3021	10045	0	3139	11555	0	3503	13627	0	3600	14079	0	3600	14831	0	3600	
	24	7061	0	2808	8578	0	2880	9488	0	3081	10095	0	3215	11612	0	3586	13654	0	3600	14107	0	3600	14861	0	3600	
(1.5+1.5+5.0) + (1.8+2.5+3.5)	16	6921	0	2664	8408	0	2736	9300	0	2853	9895	0	2930	11382	0	3280	13464	0	3323	13910	0	3413	14654	0	3582	
	18	6956	0	2700	8450	0	2772	9347	0	2912	9945	0	3006	11440	0	3362	13532	0	3492	13980	0	3564	14757	0	3600	
	20	6991	0	2736	8493	0	2808	9394	0	2959	9995	0	3060	11497	0	3420	13600	0	3600	14051	0	3600	14802	0	3600	
	22	7026	0	2772	8535	0	2844	9441	0	3021	10045	0	3139	11555	0	3503	13627	0	3600	14079	0	3600	14831	0	3600	
	24	7061	0	2808	8578	0	2880	9488	0	3081	10095	0	3215	11612	0	3586	13654	0	3600	14107	0	3600	14861	0	3600	
(1.5+1.5+5.0) + (1.8+3.5+3.5)	16	6921	0	2664	8408	0	2736	9300	0	2853	9895	0	2930	11382	0	3280	13464	0	3323	13910	0	3413	14654	0	3582	
	18	6956	0	2700	8450	0	2772	9347	0	2912	9945	0	3006	11440	0	3362	13532	0	3492	13980	0	3564	14757	0	3600	
	20	6991	0	2736	8493	0	2808	9394	0	2959	9995	0	3060	11497	0	3420	13600	0	3600	14051	0	3600	14802	0	3600	
	22	7026	0	2772	8535	0	2844	9441	0	3021	10045	0	3139	11555	0	3503	13627	0	3600	14079	0	3600	14831	0	3600	
	24	7061	0	2808	8578	0	2880	9488	0	3081	10095	0	3215	11612	0	3586	13654	0	3600	14107	0	3600	14861	0	3600	
(1.5+1.5+5.0) + (2.5+2.5+2.5)	16	6921	0	2664	8408	0	2736	9300	0	2853	9895	0	2930	11382	0	3280	13464	0	3323	13910	0	3413	14654	0	3582	
	18	6956	0	2700	8450	0	2772	9347	0	2912	9945	0	3006	11440	0	3362	13532	0	3492	13980	0	3564	14757	0	3600	
	20	6991	0	2736	8493	0	2808	9394	0	2959	9995	0	3060	11497	0	3420	13600	0	3600	14051	0	3600	14802	0	3600	
	22	7026	0	2772	8535	0	2844	9441	0	3021	10045	0	3139	11555	0	3503	13627	0	3600	14079	0	3600	14831	0	3600	
	24	7061	0	2808	8578	0	2880	9488	0	3081	10095	0	3215	11612	0	3586	13654	0	3600	14107	0	3600	14861	0	3600	
(1.5+1.5+5.0) + (2.5+2.5+3.5)	16	6921	0	2664	8408	0	2736	9300	0	2853	9895	0	2930	11382	0	3280	13464	0	3323	13910	0	3413	14654	0	3582	
	18	6956	0	2700	8450	0	2772	9347	0	2912	9945	0	3006	11440	0	3362	13532	0	3492	13980	0	3564	14757	0	3600	
	20	6991	0	2736	8493	0	2808	9394	0	2959	9995	0	3060	11497	0	3420	13600	0	3600	14051	0	3600	14802	0	3600	
	22	7026	0	2772	8535	0	2844	9441	0	3021	10045	0	3139	11555	0	3503	13627	0	3600	14079	0	3600	14831	0	3600	
	24	7061	0	2808	8578	0	2880	9488	0	3081	10095	0	3215	11612	0	3586	13654	0	3600	14107	0	3600	14861	0	3600	
(1.5+1.8+1.8) + (1.5+1.5+1.5)	16	6514	0	2575	7913	0	2645	8753	0	2758	9313	0	2833	10713	0	3170	12672	0	3212	13092	0	3299	13792	0	3463	
	18	6547	0	2610	7953	0	2680	8797	0	2815	9360	0	2906	10767	0	3250	12736	0	3376	13158	0	3445	13889	0	3480	
	20	6579	0	2645	7993	0	2714	8841	0	2861	9407	0	2958	10821	0	3306	12800	0	3480	13224	0	3480	13931	0	3480	
	22	6612	0	2680	8033	0	2749	8886	0	2920	9454	0	3035	10875	0	3386	12826	0	3480	13251	0	3480	13959	0	3480	
	24	6645	0	2714	8073	0	2784	8930	0	2978	9501	0	3108	10929	0	3466	12851	0	3480	13277	0	3480	13987	0	3480	
(1.5+1.8+1.8) + (1.5+1.5+1.8)	16	6768	0	2620	8222	0	2690	9095	0	2805	9677	0	2882	11131	0	3225	13167	0	3267	13603	0	3356	14330	0	3522	
	18	6802	0	2655	8264	0	2726	9141	0	2864	9726	0	2956	11187	0	3306	13234	0	3434	13672	0	3505	14432	0	3540	
	20	6836	0	2690	8305	0	2761	9187	0	2910	9774	0	3009	11243	0	3363	13300	0	3540	13741	0	3540	14475	0	3540	
	22	6871	0	2726	8347	0	2797	9233	0	2971	9823	0	3087	11300	0	3444	13327	0	3540	13768	0	3540	14504	0	3540	
	24	6905	0	2761	8389	0	2832	9279	0	3030	9872	0	3161	11356	0	3526	13353	0	3540	13796	0	3540	14533	0	3540	







	INDOOR		OUTDOOR TEMPERATURE (°CDB)																							
	EDB	°C	-15			-10			-7			-5			0			7			10			15		
			TC	SHC	PI	TC	SHC	PI	TC	SHC	PI	TC	SHC	PI	TC	SHC	PI	TC	SHC	PI	TC	SHC	PI	TC	SHC	PI
(1.5+1.8+1.8) + (1.8+3.5+3.5)	16	6921	0	2664	8408	0	2736	9300	0	2853	9895	0	2930	11382	0	3280	13464	0	3323	13910	0	3413	14654	0	3582	
	18	6956	0	2700	8450	0	2772	9347	0	2912	9945	0	3006	11440	0	3362	13532	0	3492	13980	0	3564	14757	0	3600	
	20	6991	0	2736	8493	0	2808	9394	0	2959	9995	0	3060	11497	0	3420	13600	0	3600	14051	0	3600	14802	0	3600	
	22	7026	0	2772	8535	0	2844	9441	0	3021	10045	0	3139	11555	0	3503	13627	0	3600	14079	0	3600	14831	0	3600	
	24	7061	0	2808	8578	0	2880	9488	0	3081	10095	0	3215	11612	0	3586	13654	0	3600	14107	0	3600	14861	0	3600	
(1.5+1.8+1.8) + (2.5+2.5+2.5)	16	6921	0	2664	8408	0	2736	9300	0	2853	9895	0	2930	11382	0	3280	13464	0	3323	13910	0	3413	14654	0	3582	
	18	6956	0	2700	8450	0	2772	9347	0	2912	9945	0	3006	11440	0	3362	13532	0	3492	13980	0	3564	14757	0	3600	
	20	6991	0	2736	8493	0	2808	9394	0	2959	9995	0	3060	11497	0	3420	13600	0	3600	14051	0	3600	14802	0	3600	
	22	7026	0	2772	8535	0	2844	9441	0	3021	10045	0	3139	11555	0	3503	13627	0	3600	14079	0	3600	14831	0	3600	
	24	7061	0	2808	8578	0	2880	9488	0	3081	10095	0	3215	11612	0	3586	13654	0	3600	14107	0	3600	14861	0	3600	
(1.5+1.8+1.8) + (2.5+2.5+3.5)	16	6921	0	2664	8408	0	2736	9300	0	2853	9895	0	2930	11382	0	3280	13464	0	3323	13910	0	3413	14654	0	3582	
	18	6956	0	2700	8450	0	2772	9347	0	2912	9945	0	3006	11440	0	3362	13532	0	3492	13980	0	3564	14757	0	3600	
	20	6991	0	2736	8493	0	2808	9394	0	2959	9995	0	3060	11497	0	3420	13600	0	3600	14051	0	3600	14802	0	3600	
	22	7026	0	2772	8535	0	2844	9441	0	3021	10045	0	3139	11555	0	3503	13627	0	3600	14079	0	3600	14831	0	3600	
	24	7061	0	2808	8578	0	2880	9488	0	3081	10095	0	3215	11612	0	3586	13654	0	3600	14107	0	3600	14861	0	3600	
(1.5+1.8+2.5) + (1.5+1.5+1.5)	16	6514	0	2575	7913	0	2645	8753	0	2758	9313	0	2833	10713	0	3170	12672	0	3212	13092	0	3299	13792	0	3463	
	18	6547	0	2610	7953	0	2680	8797	0	2815	9360	0	2906	10767	0	3250	12736	0	3376	13158	0	3445	13889	0	3480	
	20	6579	0	2645	7993	0	2714	8841	0	2861	9407	0	2958	10821	0	3306	12800	0	3480	13224	0	3480	13931	0	3480	
	22	6612	0	2680	8033	0	2749	8886	0	2920	9454	0	3035	10875	0	3386	12826	0	3480	13251	0	3480	13959	0	3480	
	24	6645	0	2714	8073	0	2784	8930	0	2978	9501	0	3108	10929	0	3466	12851	0	3480	13277	0	3480	13987	0	3480	
(1.5+1.8+2.5) + (1.5+1.5+1.8)	16	6768	0	2620	8222	0	2690	9095	0	2805	9677	0	2882	11131	0	3225	13167	0	3267	13603	0	3356	14330	0	3522	
	18	6802	0	2655	8264	0	2726	9141	0	2864	9726	0	2956	11187	0	3306	13234	0	3434	13672	0	3505	14432	0	3540	
	20	6836	0	2690	8305	0	2761	9187	0	2910	9774	0	3009	11243	0	3363	13300	0	3540	13741	0	3540	14475	0	3540	
	22	6871	0	2726	8347	0	2797	9233	0	2971	9823	0	3087	11300	0	3444	13327	0	3540	13768	0	3540	14504	0	3540	
	24	6905	0	2761	8389	0	2832	9279	0	3030	9872	0	3161	11356	0	3526	13353	0	3540	13796	0	3540	14533	0	3540	
(1.5+1.8+2.5) + (1.5+1.5+2.5)	16	6921	0	2664	8408	0	2736	9300	0	2853	9895	0	2930	11382	0	3280	13464	0	3323	13910	0	3413	14654	0	3582	
	18	6956	0	2700	8450	0	2772	9347	0	2912	9945	0	3006	11440	0	3362	13532	0	3492	13980	0	3564	14757	0	3600	
	20	6991	0	2736	8493	0	2808	9394	0	2959	9995	0	3060	11497	0	3420	13600	0	3600	14051	0	3600	14802	0	3600	
	22	7026	0	2772	8535	0	2844	9441	0	3021	10045	0	3139	11555	0	3503	13627	0	3600	14079	0	3600	14831	0	3600	
	24	7061	0	2808	8578	0	2880	9488	0	3081	10095	0	3215	11612	0	3586	13654	0	3600	14107	0	3600	14861	0	3600	
(1.5+1.8+2.5) + (1.5+1.5+3.5)	16	6921	0	2664	8408	0	2736	9300	0	2853	9895	0	2930	11382	0	3280	13464	0	3323	13910	0	3413	14654	0	3582	
	18	6956	0	2700	8450	0	2772	9347	0	2912	9945	0	3006	11440	0	3362	13532	0	3492	13980	0	3564	14757	0	3600	
	20	6991	0	2736	8493	0	2808	9394	0	2959	9995	0	3060	11497	0	3420	13600	0	3600	14051	0	3600	14802	0	3600	
	22	7026	0	2772	8535	0	2844	9441	0	3021	10045	0	3139	11555	0	3503	13627	0	3600	14079	0	3600	14831	0	3600	
	24	7061	0	2808	8578	0	2880	9488	0	3081	10095	0	3215	11612	0	3586	13654	0	3600	14107	0	3600	14861	0	3600	
(1.5+1.8+2.5) + (1.5+1.5+5.0)	16	6921	0	2664	8408	0	2736	9300	0	2853	9895	0	2930	11382	0	3280	13464	0	3323	13910	0	3413	14654	0	3582	
	18	6956	0	2700	8450	0	2772	9347	0	2912	9945	0	3006	11440	0	3362	13532	0	3492	13980	0	3564	14757	0	3600	
	20	6991	0	2736	8493	0	2808	9394	0	2959	9995	0	3060	11497	0	3420	13600	0	3600	14051	0	3600	14802	0	3600	
	22	7026	0	2772	8535	0	2844	9441	0	3021	10045	0	3139	11555	0	3503	13627	0	3600	14079	0	3600	14831	0	3600	
	24	7061	0	2808	8578	0	2880	9488	0	3081	10095	0	3215	11612	0	3586	13654	0	3600	14107	0	3600	14861	0	3600	





	INDOOR		OUTDOOR TEMPERATURE (°CDB)																							
	EDB	-15			-10			-7			-5			0			7			10			15			
		°C	TC	SHC	PI	TC	SHC	PI	TC	SHC	PI	TC	SHC	PI	TC	SHC	PI	TC	SHC	PI	TC	SHC	PI	TC	SHC	PI
(1.5+1.8+3.5) + (1.5+1.5+1.5)	16	6514	0	2575	7913	0	2645	8753	0	2758	9313	0	2833	10713	0	3170	12672	0	3212	13092	0	3299	13792	0	3463	
	18	6547	0	2610	7953	0	2680	8797	0	2815	9360	0	2906	10767	0	3250	12736	0	3376	13158	0	3445	13889	0	3480	
	20	6579	0	2645	7993	0	2714	8841	0	2861	9407	0	2958	10821	0	3306	12800	0	3480	13224	0	3480	13931	0	3480	
	22	6612	0	2680	8033	0	2749	8886	0	2920	9454	0	3035	10875	0	3386	12826	0	3480	13251	0	3480	13959	0	3480	
	24	6645	0	2714	8073	0	2784	8930	0	2978	9501	0	3108	10929	0	3466	12851	0	3480	13277	0	3480	13987	0	3480	
(1.5+1.8+3.5) + (1.5+1.5+1.8)	16	6768	0	2620	8222	0	2690	9095	0	2805	9677	0	2882	11131	0	3225	13167	0	3267	13603	0	3356	14330	0	3522	
	18	6802	0	2655	8264	0	2726	9141	0	2864	9726	0	2956	11187	0	3306	13234	0	3434	13672	0	3505	14432	0	3540	
	20	6836	0	2690	8305	0	2761	9187	0	2910	9774	0	3009	11243	0	3363	13300	0	3540	13741	0	3540	14475	0	3540	
	22	6871	0	2726	8347	0	2797	9233	0	2971	9823	0	3087	11300	0	3444	13327	0	3540	13768	0	3540	14504	0	3540	
	24	6905	0	2761	8389	0	2832	9279	0	3030	9872	0	3161	11356	0	3526	13353	0	3540	13796	0	3540	14533	0	3540	
(1.5+1.8+3.5) + (1.5+1.5+2.5)	16	6921	0	2664	8408	0	2736	9300	0	2853	9895	0	2930	11382	0	3280	13464	0	3323	13910	0	3413	14654	0	3582	
	18	6956	0	2700	8450	0	2772	9347	0	2912	9945	0	3006	11440	0	3362	13532	0	3492	13980	0	3564	14757	0	3600	
	20	6991	0	2736	8493	0	2808	9394	0	2959	9995	0	3060	11497	0	3420	13600	0	3600	14051	0	3600	14802	0	3600	
	22	7026	0	2772	8535	0	2844	9441	0	3021	10045	0	3139	11555	0	3503	13627	0	3600	14079	0	3600	14831	0	3600	
	24	7061	0	2808	8578	0	2880	9488	0	3081	10095	0	3215	11612	0	3586	13654	0	3600	14107	0	3600	14861	0	3600	
(1.5+1.8+3.5) + (1.5+1.5+3.5)	16	6921	0	2664	8408	0	2736	9300	0	2853	9895	0	2930	11382	0	3280	13464	0	3323	13910	0	3413	14654	0	3582	
	18	6956	0	2700	8450	0	2772	9347	0	2912	9945	0	3006	11440	0	3362	13532	0	3492	13980	0	3564	14757	0	3600	
	20	6991	0	2736	8493	0	2808	9394	0	2959	9995	0	3060	11497	0	3420	13600	0	3600	14051	0	3600	14802	0	3600	
	22	7026	0	2772	8535	0	2844	9441	0	3021	10045	0	3139	11555	0	3503	13627	0	3600	14079	0	3600	14831	0	3600	
	24	7061	0	2808	8578	0	2880	9488	0	3081	10095	0	3215	11612	0	3586	13654	0	3600	14107	0	3600	14861	0	3600	
(1.5+1.8+3.5) + (1.5+1.5+5.0)	16	6921	0	2664	8408	0	2736	9300	0	2853	9895	0	2930	11382	0	3280	13464	0	3323	13910	0	3413	14654	0	3582	
	18	6956	0	2700	8450	0	2772	9347	0	2912	9945	0	3006	11440	0	3362	13532	0	3492	13980	0	3564	14757	0	3600	
	20	6991	0	2736	8493	0	2808	9394	0	2959	9995	0	3060	11497	0	3420	13600	0	3600	14051	0	3600	14802	0	3600	
	22	7026	0	2772	8535	0	2844	9441	0	3021	10045	0	3139	11555	0	3503	13627	0	3600	14079	0	3600	14831	0	3600	
	24	7061	0	2808	8578	0	2880	9488	0	3081	10095	0	3215	11612	0	3586	13654	0	3600	14107	0	3600	14861	0	3600	
(1.5+1.8+3.5) + (1.5+1.8+1.8)	16	6921	0	2664	8408	0	2736	9300	0	2853	9895	0	2930	11382	0	3280	13464	0	3323	13910	0	3413	14654	0	3582	
	18	6956	0	2700	8450	0	2772	9347	0	2912	9945	0	3006	11440	0	3362	13532	0	3492	13980	0	3564	14757	0	3600	
	20	6991	0	2736	8493	0	2808	9394	0	2959	9995	0	3060	11497	0	3420	13600	0	3600	14051	0	3600	14802	0	3600	
	22	7026	0	2772	8535	0	2844	9441	0	3021	10045	0	3139	11555	0	3503	13627	0	3600	14079	0	3600	14831	0	3600	
	24	7061	0	2808	8578	0	2880	9488	0	3081	10095	0	3215	11612	0	3586	13654	0	3600	14107	0	3600	14861	0	3600	
(1.5+1.8+3.5) + (1.5+1.8+2.5)	16	6921	0	2664	8408	0	2736	9300	0	2853	9895	0	2930	11382	0	3280	13464	0	3323	13910	0	3413	14654	0	3582	
	18	6956	0	2700	8450	0	2772	9347	0	2912	9945	0	3006	11440	0	3362	13532	0	3492	13980	0	3564	14757	0	3600	
	20	6991	0	2736	8493	0	2808	9394	0	2959	9995	0	3060	11497	0	3420	13600	0	3600	14051	0	3600	14802	0	3600	
	22	7026	0	2772	8535	0	2844	9441	0	3021	10045	0	3139	11555	0	3503	13627	0	3600	14079	0	3600	14831	0	3600	
	24	7061	0	2808	8578	0	2880	9488	0	3081	10095	0	3215	11612	0	3586	13654	0	3600	14107	0	3600	14861	0	3600	
(1.5+1.8+3.5) + (1.5+1.8+3.5)	16	6921	0	2664	8408	0	2736	9300	0	2853	9895	0	2930	11382	0	3280	13464	0	3323	13910	0	3413	14654	0	3582	
	18	6956	0	2700	8450	0	2772	9347	0	2912	9945	0	3006	11440	0	3362	13532	0	3492	13980	0	3564	14757	0	3600	
	20	6991	0	2736	8493	0	2808	9394	0	2959	9995	0	3060	11497	0	3420	13600	0	3600	14051	0	3600	14802	0	3600	
	22	7026	0	2772	8535	0	2844	9441	0	3021	10045	0	3139	11555	0	3503	13627	0	3600	14079	0	3600	14831	0	3600	
	24	7061	0	2808	8578	0	2880	9488	0	3081	10095	0	3215	11612	0	3586	13654	0	3600	14107	0	3600	14861	0	3600	



	INDOOR		OUTDOOR TEMPERATURE (°CDB)																							
	EDB	-15			-10			-7			-5			0			7			10			15			
		°C	TC	SHC	PI	TC	SHC	PI	TC	SHC	PI	TC	SHC	PI	TC	SHC	PI	TC	SHC	PI	TC	SHC	PI	TC	SHC	PI
(1.5+1.8+3.5) + (1.8+2.5+2.5)	16	6921	0	2664	8408	0	2736	9300	0	2853	9895	0	2930	11382	0	3280	13464	0	3323	13910	0	3413	14654	0	3582	
	18	6956	0	2700	8450	0	2772	9347	0	2912	9945	0	3006	11440	0	3362	13532	0	3492	13980	0	3564	14757	0	3600	
	20	6991	0	2736	8493	0	2808	9394	0	2959	9995	0	3060	11497	0	3420	13600	0	3600	14051	0	3600	14802	0	3600	
	22	7026	0	2772	8535	0	2844	9441	0	3021	10045	0	3139	11555	0	3503	13627	0	3600	14079	0	3600	14831	0	3600	
	24	7061	0	2808	8578	0	2880	9488	0	3081	10095	0	3215	11612	0	3586	13654	0	3600	14107	0	3600	14861	0	3600	
(1.5+1.8+3.5) + (1.8+2.5+3.5)	16	6921	0	2664	8408	0	2736	9300	0	2853	9895	0	2930	11382	0	3280	13464	0	3323	13910	0	3413	14654	0	3582	
	18	6956	0	2700	8450	0	2772	9347	0	2912	9945	0	3006	11440	0	3362	13532	0	3492	13980	0	3564	14757	0	3600	
	20	6991	0	2736	8493	0	2808	9394	0	2959	9995	0	3060	11497	0	3420	13600	0	3600	14051	0	3600	14802	0	3600	
	22	7026	0	2772	8535	0	2844	9441	0	3021	10045	0	3139	11555	0	3503	13627	0	3600	14079	0	3600	14831	0	3600	
	24	7061	0	2808	8578	0	2880	9488	0	3081	10095	0	3215	11612	0	3586	13654	0	3600	14107	0	3600	14861	0	3600	
(1.5+1.8+3.5) + (1.8+3.5+3.5)	16	6921	0	2664	8408	0	2736	9300	0	2853	9895	0	2930	11382	0	3280	13464	0	3323	13910	0	3413	14654	0	3582	
	18	6956	0	2700	8450	0	2772	9347	0	2912	9945	0	3006	11440	0	3362	13532	0	3492	13980	0	3564	14757	0	3600	
	20	6991	0	2736	8493	0	2808	9394	0	2959	9995	0	3060	11497	0	3420	13600	0	3600	14051	0	3600	14802	0	3600	
	22	7026	0	2772	8535	0	2844	9441	0	3021	10045	0	3139	11555	0	3503	13627	0	3600	14079	0	3600	14831	0	3600	
	24	7061	0	2808	8578	0	2880	9488	0	3081	10095	0	3215	11612	0	3586	13654	0	3600	14107	0	3600	14861	0	3600	
(1.5+1.8+3.5) + (2.5+2.5+2.5)	16	6921	0	2664	8408	0	2736	9300	0	2853	9895	0	2930	11382	0	3280	13464	0	3323	13910	0	3413	14654	0	3582	
	18	6956	0	2700	8450	0	2772	9347	0	2912	9945	0	3006	11440	0	3362	13532	0	3492	13980	0	3564	14757	0	3600	
	20	6991	0	2736	8493	0	2808	9394	0	2959	9995	0	3060	11497	0	3420	13600	0	3600	14051	0	3600	14802	0	3600	
	22	7026	0	2772	8535	0	2844	9441	0	3021	10045	0	3139	11555	0	3503	13627	0	3600	14079	0	3600	14831	0	3600	
	24	7061	0	2808	8578	0	2880	9488	0	3081	10095	0	3215	11612	0	3586	13654	0	3600	14107	0	3600	14861	0	3600	
(1.5+1.8+3.5) + (2.5+2.5+3.5)	16	6921	0	2664	8408	0	2736	9300	0	2853	9895	0	2930	11382	0	3280	13464	0	3323	13910	0	3413	14654	0	3582	
	18	6956	0	2700	8450	0	2772	9347	0	2912	9945	0	3006	11440	0	3362	13532	0	3492	13980	0	3564	14757	0	3600	
	20	6991	0	2736	8493	0	2808	9394	0	2959	9995	0	3060	11497	0	3420	13600	0	3600	14051	0	3600	14802	0	3600	
	22	7026	0	2772	8535	0	2844	9441	0	3021	10045	0	3139	11555	0	3503	13627	0	3600	14079	0	3600	14831	0	3600	
	24	7061	0	2808	8578	0	2880	9488	0	3081	10095	0	3215	11612	0	3586	13654	0	3600	14107	0	3600	14861	0	3600	
(1.5+1.8+5.0) + (1.5+1.5+1.5)	16	6514	0	2575	7913	0	2645	8753	0	2758	9313	0	2833	10713	0	3170	12672	0	3212	13092	0	3299	13792	0	3463	
	18	6547	0	2610	7953	0	2680	8797	0	2815	9360	0	2906	10767	0	3250	12736	0	3376	13158	0	3445	13889	0	3480	
	20	6579	0	2645	7993	0	2714	8841	0	2861	9407	0	2958	10821	0	3306	12800	0	3480	13224	0	3480	13931	0	3480	
	22	6612	0	2680	8033	0	2749	8886	0	2920	9454	0	3035	10875	0	3386	12826	0	3480	13251	0	3480	13959	0	3480	
	24	6645	0	2714	8073	0	2784	8930	0	2978	9501	0	3108	10929	0	3466	12851	0	3480	13277	0	3480	13987	0	3480	
(1.5+1.8+5.0) + (1.5+1.5+1.8)	16	6768	0	2620	8222	0	2690	9095	0	2805	9677	0	2882	11131	0	3225	13167	0	3267	13603	0	3356	14330	0	3522	
	18	6802	0	2655	8264	0	2726	9141	0	2864	9726	0	2956	11187	0	3306	13234	0	3434	13672	0	3505	14432	0	3540	
	20	6836	0	2690	8305	0	2761	9187	0	2910	9774	0	3009	11243	0	3363	13300	0	3540	13741	0	3540	14475	0	3540	
	22	6871	0	2726	8347	0	2797	9233	0	2971	9823	0	3087	11300	0	3444	13327	0	3540	13768	0	3540	14504	0	3540	
	24	6905	0	2761	8389	0	2832	9279	0	3030	9872	0	3161	11356	0	3526	13353	0	3540	13796	0	3540	14533	0	3540	
(1.5+1.8+5.0) + (1.5+1.5+2.5)	16	6921	0	2664	8408	0	2736	9300	0	2853	9895	0	2930	11382	0	3280	13464	0	3323	13910	0	3413	14654	0	3582	
	18	6956	0	2700	8450	0	2772	9347	0	2912	9945	0	3006	11440	0	3362	13532	0	3492	13980	0	3564	14757	0	3600	
	20	6991	0	2736	8493	0	2808	9394	0	2959	9995	0	3060	11497	0	3420	13600	0	3600	14051	0	3600	14802	0	3600	
	22	7026	0	2772	8535	0	2844	9441	0	3021	10045	0	3139	11555	0	3503	13627	0	3600	14079	0	3600	14831	0	3600	
	24	7061	0	2808	8578	0	2880	9488	0	3081	10095	0	3215	11612	0	3586	13654	0	3600	14107	0	3600	14861	0	3600	





	INDOOR		OUTDOOR TEMPERATURE (°CDB)																							
	EDB	-15			-10			-7			-5			0			7			10			15			
		°C	TC	SHC	PI	TC	SHC	PI	TC	SHC	PI	TC	SHC	PI	TC	SHC	PI	TC	SHC	PI	TC	SHC	PI	TC	SHC	PI
(1.5+1.8+5.0) + (1.5+3.5+3.5)	16	6921	0	2664	8408	0	2736	9300	0	2853	9895	0	2930	11382	0	3280	13464	0	3323	13910	0	3413	14654	0	3582	
	18	6956	0	2700	8450	0	2772	9347	0	2912	9945	0	3006	11440	0	3362	13532	0	3492	13980	0	3564	14757	0	3600	
	20	6991	0	2736	8493	0	2808	9394	0	2959	9995	0	3060	11497	0	3420	13600	0	3600	14051	0	3600	14802	0	3600	
	22	7026	0	2772	8535	0	2844	9441	0	3021	10045	0	3139	11555	0	3503	13627	0	3600	14079	0	3600	14831	0	3600	
	24	7061	0	2808	8578	0	2880	9488	0	3081	10095	0	3215	11612	0	3586	13654	0	3600	14107	0	3600	14861	0	3600	
(1.5+1.8+5.0) + (1.8+1.8+1.8)	16	6921	0	2664	8408	0	2736	9300	0	2853	9895	0	2930	11382	0	3280	13464	0	3323	13910	0	3413	14654	0	3582	
	18	6956	0	2700	8450	0	2772	9347	0	2912	9945	0	3006	11440	0	3362	13532	0	3492	13980	0	3564	14757	0	3600	
	20	6991	0	2736	8493	0	2808	9394	0	2959	9995	0	3060	11497	0	3420	13600	0	3600	14051	0	3600	14802	0	3600	
	22	7026	0	2772	8535	0	2844	9441	0	3021	10045	0	3139	11555	0	3503	13627	0	3600	14079	0	3600	14831	0	3600	
	24	7061	0	2808	8578	0	2880	9488	0	3081	10095	0	3215	11612	0	3586	13654	0	3600	14107	0	3600	14861	0	3600	
(1.5+1.8+5.0) + (1.8+1.8+2.5)	16	6921	0	2664	8408	0	2736	9300	0	2853	9895	0	2930	11382	0	3280	13464	0	3323	13910	0	3413	14654	0	3582	
	18	6956	0	2700	8450	0	2772	9347	0	2912	9945	0	3006	11440	0	3362	13532	0	3492	13980	0	3564	14757	0	3600	
	20	6991	0	2736	8493	0	2808	9394	0	2959	9995	0	3060	11497	0	3420	13600	0	3600	14051	0	3600	14802	0	3600	
	22	7026	0	2772	8535	0	2844	9441	0	3021	10045	0	3139	11555	0	3503	13627	0	3600	14079	0	3600	14831	0	3600	
	24	7061	0	2808	8578	0	2880	9488	0	3081	10095	0	3215	11612	0	3586	13654	0	3600	14107	0	3600	14861	0	3600	
(1.5+1.8+5.0) + (1.8+1.8+3.5)	16	6921	0	2664	8408	0	2736	9300	0	2853	9895	0	2930	11382	0	3280	13464	0	3323	13910	0	3413	14654	0	3582	
	18	6956	0	2700	8450	0	2772	9347	0	2912	9945	0	3006	11440	0	3362	13532	0	3492	13980	0	3564	14757	0	3600	
	20	6991	0	2736	8493	0	2808	9394	0	2959	9995	0	3060	11497	0	3420	13600	0	3600	14051	0	3600	14802	0	3600	
	22	7026	0	2772	8535	0	2844	9441	0	3021	10045	0	3139	11555	0	3503	13627	0	3600	14079	0	3600	14831	0	3600	
	24	7061	0	2808	8578	0	2880	9488	0	3081	10095	0	3215	11612	0	3586	13654	0	3600	14107	0	3600	14861	0	3600	
(1.5+1.8+5.0) + (1.8+1.8+5.0)	16	6921	0	2664	8408	0	2736	9300	0	2853	9895	0	2930	11382	0	3280	13464	0	3323	13910	0	3413	14654	0	3582	
	18	6956	0	2700	8450	0	2772	9347	0	2912	9945	0	3006	11440	0	3362	13532	0	3492	13980	0	3564	14757	0	3600	
	20	6991	0	2736	8493	0	2808	9394	0	2959	9995	0	3060	11497	0	3420	13600	0	3600	14051	0	3600	14802	0	3600	
	22	7026	0	2772	8535	0	2844	9441	0	3021	10045	0	3139	11555	0	3503	13627	0	3600	14079	0	3600	14831	0	3600	
	24	7061	0	2808	8578	0	2880	9488	0	3081	10095	0	3215	11612	0	3586	13654	0	3600	14107	0	3600	14861	0	3600	
(1.5+1.8+5.0) + (1.8+2.5+2.5)	16	6921	0	2664	8408	0	2736	9300	0	2853	9895	0	2930	11382	0	3280	13464	0	3323	13910	0	3413	14654	0	3582	
	18	6956	0	2700	8450	0	2772	9347	0	2912	9945	0	3006	11440	0	3362	13532	0	3492	13980	0	3564	14757	0	3600	
	20	6991	0	2736	8493	0	2808	9394	0	2959	9995	0	3060	11497	0	3420	13600	0	3600	14051	0	3600	14802	0	3600	
	22	7026	0	2772	8535	0	2844	9441	0	3021	10045	0	3139	11555	0	3503	13627	0	3600	14079	0	3600	14831	0	3600	
	24	7061	0	2808	8578	0	2880	9488	0	3081	10095	0	3215	11612	0	3586	13654	0	3600	14107	0	3600	14861	0	3600	
(1.5+1.8+5.0) + (1.8+2.5+3.5)	16	6921	0	2664	8408	0	2736	9300	0	2853	9895	0	2930	11382	0	3280	13464	0	3323	13910	0	3413	14654	0	3582	
	18	6956	0	2700	8450	0	2772	9347	0	2912	9945	0	3006	11440	0	3362	13532	0	3492	13980	0	3564	14757	0	3600	
	20	6991	0	2736	8493	0	2808	9394	0	2959	9995	0	3060	11497	0	3420	13600	0	3600	14051	0	3600	14802	0	3600	
	22	7026	0	2772	8535	0	2844	9441	0	3021	10045	0	3139	11555	0	3503	13627	0	3600	14079	0	3600	14831	0	3600	
	24	7061	0	2808	8578	0	2880	9488	0	3081	10095	0	3215	11612	0	3586	13654	0	3600	14107	0	3600	14861	0	3600	

	INDOOR		OUTDOOR TEMPERATURE (°CDB)																							
	EDB	-15			-10			-7			-5			0			7			10			15			
		°C	TC	SHC	PI	TC	SHC	PI	TC	SHC	PI	TC	SHC	PI	TC	SHC	PI	TC	SHC	PI	TC	SHC	PI	TC	SHC	PI
(1.5+1.8+5.0) + (2.5+2.5+2.5)	16	6921	0	2664	8408	0	2736	9300	0	2853	9895	0	2930	11382	0	3280	13464	0	3323	13910	0	3413	14654	0	3582	
	18	6956	0	2700	8450	0	2772	9347	0	2912	9945	0	3006	11440	0	3362	13532	0	3492	13980	0	3564	14757	0	3600	
	20	6991	0	2736	8493	0	2808	9394	0	2959	9995	0	3060	11497	0	3420	13600	0	3600	14051	0	3600	14802	0	3600	
	22	7026	0	2772	8535	0	2844	9441	0	3021	10045	0	3139	11555	0	3503	13627	0	3600	14079	0	3600	14831	0	3600	
	24	7061	0	2808	8578	0	2880	9488	0	3081	10095	0	3215	11612	0	3586	13654	0	3600	14107	0	3600	14861	0	3600	
(1.5+1.8+5.0) + (2.5+2.5+3.5)	16	6921	0	2664	8408	0	2736	9300	0	2853	9895	0	2930	11382	0	3280	13464	0	3323	13910	0	3413	14654	0	3582	
	18	6956	0	2700	8450	0	2772	9347	0	2912	9945	0	3006	11440	0	3362	13532	0	3492	13980	0	3564	14757	0	3600	
	20	6991	0	2736	8493	0	2808	9394	0	2959	9995	0	3060	11497	0	3420	13600	0	3600	14051	0	3600	14802	0	3600	
	22	7026	0	2772	8535	0	2844	9441	0	3021	10045	0	3139	11555	0	3503	13627	0	3600	14079	0	3600	14831	0	3600	
	24	7061	0	2808	8578	0	2880	9488	0	3081	10095	0	3215	11612	0	3586	13654	0	3600	14107	0	3600	14861	0	3600	
(1.5+2.5+2.5) + (1.5+1.5+1.5)	16	6514	0	2575	7913	0	2645	8753	0	2758	9313	0	2833	10713	0	3170	12672	0	3212	13092	0	3299	13792	0	3463	
	18	6547	0	2610	7953	0	2680	8797	0	2815	9360	0	2906	10767	0	3250	12736	0	3376	13158	0	3445	13889	0	3480	
	20	6579	0	2645	7993	0	2714	8841	0	2861	9407	0	2958	10821	0	3306	12800	0	3480	13224	0	3480	13931	0	3480	
	22	6612	0	2680	8033	0	2749	8886	0	2920	9454	0	3035	10875	0	3386	12826	0	3480	13251	0	3480	13959	0	3480	
	24	6645	0	2714	8073	0	2784	8930	0	2978	9501	0	3108	10929	0	3466	12851	0	3480	13277	0	3480	13987	0	3480	
(1.5+2.5+2.5) + (1.5+1.5+1.8)	16	6768	0	2620	8222	0	2690	9095	0	2805	9677	0	2882	11131	0	3225	13167	0	3267	13603	0	3356	14330	0	3522	
	18	6802	0	2655	8264	0	2726	9141	0	2864	9726	0	2956	11187	0	3306	13234	0	3434	13672	0	3505	14432	0	3540	
	20	6836	0	2690	8305	0	2761	9187	0	2910	9774	0	3009	11243	0	3363	13300	0	3540	13741	0	3540	14475	0	3540	
	22	6871	0	2726	8347	0	2797	9233	0	2971	9823	0	3087	11300	0	3444	13327	0	3540	13768	0	3540	14504	0	3540	
	24	6905	0	2761	8389	0	2832	9279	0	3030	9872	0	3161	11356	0	3526	13353	0	3540	13796	0	3540	14533	0	3540	
(1.5+2.5+2.5) + (1.5+1.5+2.5)	16	6921	0	2664	8408	0	2736	9300	0	2853	9895	0	2930	11382	0	3280	13464	0	3323	13910	0	3413	14654	0	3582	
	18	6956	0	2700	8450	0	2772	9347	0	2912	9945	0	3006	11440	0	3362	13532	0	3492	13980	0	3564	14757	0	3600	
	20	6991	0	2736	8493	0	2808	9394	0	2959	9995	0	3060	11497	0	3420	13600	0	3600	14051	0	3600	14802	0	3600	
	22	7026	0	2772	8535	0	2844	9441	0	3021	10045	0	3139	11555	0	3503	13627	0	3600	14079	0	3600	14831	0	3600	
	24	7061	0	2808	8578	0	2880	9488	0	3081	10095	0	3215	11612	0	3586	13654	0	3600	14107	0	3600	14861	0	3600	
(1.5+2.5+2.5) + (1.5+1.5+3.5)	16	6921	0	2664	8408	0	2736	9300	0	2853	9895	0	2930	11382	0	3280	13464	0	3323	13910	0	3413	14654	0	3582	
	18	6956	0	2700	8450	0	2772	9347	0	2912	9945	0	3006	11440	0	3362	13532	0	3492	13980	0	3564	14757	0	3600	
	20	6991	0	2736	8493	0	2808	9394	0	2959	9995	0	3060	11497	0	3420	13600	0	3600	14051	0	3600	14802	0	3600	
	22	7026	0	2772	8535	0	2844	9441	0	3021	10045	0	3139	11555	0	3503	13627	0	3600	14079	0	3600	14831	0	3600	
	24	7061	0	2808	8578	0	2880	9488	0	3081	10095	0	3215	11612	0	3586	13654	0	3600	14107	0	3600	14861	0	3600	
(1.5+2.5+2.5) + (1.5+1.5+5.0)	16	6921	0	2664	8408	0	2736	9300	0	2853	9895	0	2930	11382	0	3280	13464	0	3323	13910	0	3413	14654	0	3582	
	18	6956	0	2700	8450	0	2772	9347	0	2912	9945	0	3006	11440	0	3362	13532	0	3492	13980	0	3564	14757	0	3600	
	20	6991	0	2736	8493	0	2808	9394	0	2959	9995	0	3060	11497	0	3420	13600	0	3600	14051	0	3600	14802	0	3600	
	22	7026	0	2772	8535	0	2844	9441	0	3021	10045	0	3139	11555	0	3503	13627	0	3600	14079	0	3600	14831	0	3600	
	24	7061	0	2808	8578	0	2880	9488	0	3081	10095	0	3215	11612	0	3586	13654	0	3600	14107	0	3600	14861	0	3600	
(1.5+2.5+2.5) + (1.5+1.8+1.8)	16	6921	0	2664	8408	0	2736	9300	0	2853	9895	0	2930	11382	0	3280	13464	0	3323	13910	0	3413	14654	0	3582	
	18	6956	0	2700	8450	0	2772	9347	0	2912	9945	0	3006	11440	0	3362	13532	0	3492	13980	0	3564	14757	0	3600	
	20	6991	0	2736	8493	0	2808	9394	0	2959	9995	0	3060	11497	0	3420	13600	0	3600	14051	0	3600	14802	0	3600	
	22	7026	0	2772	8535	0	2844	9441	0	3021	10045	0	3139	11555	0	3503	13627	0	3600	14079	0	3600	14831	0	3600	
	24	7061	0	2808	8578	0	2880	9488	0	3081	10095	0	3215	11612	0	3586	13654	0	3600	14107	0	3600	14861	0	3600	



	INDOOR		OUTDOOR TEMPERATURE (°CDB)																							
	EDB	-15			-10			-7			-5			0			7			10			15			
		°C	TC	SHC	PI	TC	SHC	PI	TC	SHC	PI	TC	SHC	PI	TC	SHC	PI	TC	SHC	PI	TC	SHC	PI	TC	SHC	PI
(1.5+2.5+2.5) + (1.8+1.8+3.5)	16	6921	0	2664	8408	0	2736	9300	0	2853	9895	0	2930	11382	0	3280	13464	0	3323	13910	0	3413	14654	0	3582	
	18	6956	0	2700	8450	0	2772	9347	0	2912	9945	0	3006	11440	0	3362	13532	0	3492	13980	0	3564	14757	0	3600	
	20	6991	0	2736	8493	0	2808	9394	0	2959	9995	0	3060	11497	0	3420	13600	0	3600	14051	0	3600	14802	0	3600	
	22	7026	0	2772	8535	0	2844	9441	0	3021	10045	0	3139	11555	0	3503	13627	0	3600	14079	0	3600	14831	0	3600	
	24	7061	0	2808	8578	0	2880	9488	0	3081	10095	0	3215	11612	0	3586	13654	0	3600	14107	0	3600	14861	0	3600	
(1.5+2.5+2.5) + (1.8+1.8+5.0)	16	6921	0	2664	8408	0	2736	9300	0	2853	9895	0	2930	11382	0	3280	13464	0	3323	13910	0	3413	14654	0	3582	
	18	6956	0	2700	8450	0	2772	9347	0	2912	9945	0	3006	11440	0	3362	13532	0	3492	13980	0	3564	14757	0	3600	
	20	6991	0	2736	8493	0	2808	9394	0	2959	9995	0	3060	11497	0	3420	13600	0	3600	14051	0	3600	14802	0	3600	
	22	7026	0	2772	8535	0	2844	9441	0	3021	10045	0	3139	11555	0	3503	13627	0	3600	14079	0	3600	14831	0	3600	
	24	7061	0	2808	8578	0	2880	9488	0	3081	10095	0	3215	11612	0	3586	13654	0	3600	14107	0	3600	14861	0	3600	
(1.5+2.5+2.5) + (1.8+2.5+2.5)	16	6921	0	2664	8408	0	2736	9300	0	2853	9895	0	2930	11382	0	3280	13464	0	3323	13910	0	3413	14654	0	3582	
	18	6956	0	2700	8450	0	2772	9347	0	2912	9945	0	3006	11440	0	3362	13532	0	3492	13980	0	3564	14757	0	3600	
	20	6991	0	2736	8493	0	2808	9394	0	2959	9995	0	3060	11497	0	3420	13600	0	3600	14051	0	3600	14802	0	3600	
	22	7026	0	2772	8535	0	2844	9441	0	3021	10045	0	3139	11555	0	3503	13627	0	3600	14079	0	3600	14831	0	3600	
	24	7061	0	2808	8578	0	2880	9488	0	3081	10095	0	3215	11612	0	3586	13654	0	3600	14107	0	3600	14861	0	3600	
(1.5+2.5+2.5) + (1.8+2.5+3.5)	16	6921	0	2664	8408	0	2736	9300	0	2853	9895	0	2930	11382	0	3280	13464	0	3323	13910	0	3413	14654	0	3582	
	18	6956	0	2700	8450	0	2772	9347	0	2912	9945	0	3006	11440	0	3362	13532	0	3492	13980	0	3564	14757	0	3600	
	20	6991	0	2736	8493	0	2808	9394	0	2959	9995	0	3060	11497	0	3420	13600	0	3600	14051	0	3600	14802	0	3600	
	22	7026	0	2772	8535	0	2844	9441	0	3021	10045	0	3139	11555	0	3503	13627	0	3600	14079	0	3600	14831	0	3600	
	24	7061	0	2808	8578	0	2880	9488	0	3081	10095	0	3215	11612	0	3586	13654	0	3600	14107	0	3600	14861	0	3600	
(1.5+2.5+2.5) + (1.8+3.5+3.5)	16	6921	0	2664	8408	0	2736	9300	0	2853	9895	0	2930	11382	0	3280	13464	0	3323	13910	0	3413	14654	0	3582	
	18	6956	0	2700	8450	0	2772	9347	0	2912	9945	0	3006	11440	0	3362	13532	0	3492	13980	0	3564	14757	0	3600	
	20	6991	0	2736	8493	0	2808	9394	0	2959	9995	0	3060	11497	0	3420	13600	0	3600	14051	0	3600	14802	0	3600	
	22	7026	0	2772	8535	0	2844	9441	0	3021	10045	0	3139	11555	0	3503	13627	0	3600	14079	0	3600	14831	0	3600	
	24	7061	0	2808	8578	0	2880	9488	0	3081	10095	0	3215	11612	0	3586	13654	0	3600	14107	0	3600	14861	0	3600	
(1.5+2.5+2.5) + (2.5+2.5+2.5)	16	6921	0	2664	8408	0	2736	9300	0	2853	9895	0	2930	11382	0	3280	13464	0	3323	13910	0	3413	14654	0	3582	
	18	6956	0	2700	8450	0	2772	9347	0	2912	9945	0	3006	11440	0	3362	13532	0	3492	13980	0	3564	14757	0	3600	
	20	6991	0	2736	8493	0	2808	9394	0	2959	9995	0	3060	11497	0	3420	13600	0	3600	14051	0	3600	14802	0	3600	
	22	7026	0	2772	8535	0	2844	9441	0	3021	10045	0	3139	11555	0	3503	13627	0	3600	14079	0	3600	14831	0	3600	
	24	7061	0	2808	8578	0	2880	9488	0	3081	10095	0	3215	11612	0	3586	13654	0	3600	14107	0	3600	14861	0	3600	
(1.5+2.5+2.5) + (2.5+2.5+3.5)	16	6921	0	2664	8408	0	2736	9300	0	2853	9895	0	2930	11382	0	3280	13464	0	3323	13910	0	3413	14654	0	3582	
	18	6956	0	2700	8450	0	2772	9347	0	2912	9945	0	3006	11440	0	3362	13532	0	3492	13980	0	3564	14757	0	3600	
	20	6991	0	2736	8493	0	2808	9394	0	2959	9995	0	3060	11497	0	3420	13600	0	3600	14051	0	3600	14802	0	3600	
	22	7026	0	2772	8535	0	2844	9441	0	3021	10045	0	3139	11555	0	3503	13627	0	3600	14079	0	3600	14831	0	3600	
	24	7061	0	2808	8578	0	2880	9488	0	3081	10095	0	3215	11612	0	3586	13654	0	3600	14107	0	3600	14861	0	3600	
(1.5+2.5+3.5) + (1.5+1.5+1.5)	16	6514	0	2575	7913	0	2645	8753	0	2758	9313	0	2833	10713	0	3170	12672	0	3212	13092	0	3299	13792	0	3463	
	18	6547	0	2610	7953	0	2680	8797	0	2815	9360	0	2906	10767	0	3250	12736	0	3376	13158	0	3445	13889	0	3480	
	20	6579	0	2645	7993	0	2714	8841	0	2861	9407	0	2958	10821	0	3306	12800	0	3480	13224	0	3480	13931	0	3480	
	22	6612	0	2680	8033	0	2749	8886	0	2920	9454	0	3035	10875	0	3386	12826	0	3480	13251	0	3480	13959	0	3480	
	24	6645	0	2714	8073	0	2784	8930	0	2978	9501	0	3108	10929	0	3466	12851	0	3480	13277	0	3480	13987	0	3480	

	INDOOR		OUTDOOR TEMPERATURE (°CDB)																							
	EDB	-15			-10			-7			-5			0			7			10			15			
		°C	TC	SHC	PI	TC	SHC	PI	TC	SHC	PI	TC	SHC	PI	TC	SHC	PI	TC	SHC	PI	TC	SHC	PI	TC	SHC	PI
(1.5+2.5+3.5) + (1.5+1.5+1.8)	16	6768	0	2620	8222	0	2690	9095	0	2805	9677	0	2882	11131	0	3225	13167	0	3267	13603	0	3356	14330	0	3522	
	18	6802	0	2655	8264	0	2726	9141	0	2864	9726	0	2956	11187	0	3306	13234	0	3434	13672	0	3505	14432	0	3540	
	20	6836	0	2690	8305	0	2761	9187	0	2910	9774	0	3009	11243	0	3363	13300	0	3540	13741	0	3540	14475	0	3540	
	22	6871	0	2726	8347	0	2797	9233	0	2971	9823	0	3087	11300	0	3444	13327	0	3540	13768	0	3540	14504	0	3540	
	24	6905	0	2761	8389	0	2832	9279	0	3030	9872	0	3161	11356	0	3526	13353	0	3540	13796	0	3540	14533	0	3540	
(1.5+2.5+3.5) + (1.5+1.5+2.5)	16	6921	0	2664	8408	0	2736	9300	0	2853	9895	0	2930	11382	0	3280	13464	0	3323	13910	0	3413	14654	0	3582	
	18	6956	0	2700	8450	0	2772	9347	0	2912	9945	0	3006	11440	0	3362	13532	0	3492	13980	0	3564	14757	0	3600	
	20	6991	0	2736	8493	0	2808	9394	0	2959	9995	0	3060	11497	0	3420	13600	0	3600	14051	0	3600	14802	0	3600	
	22	7026	0	2772	8535	0	2844	9441	0	3021	10045	0	3139	11555	0	3503	13627	0	3600	14079	0	3600	14831	0	3600	
	24	7061	0	2808	8578	0	2880	9488	0	3081	10095	0	3215	11612	0	3586	13654	0	3600	14107	0	3600	14861	0	3600	
(1.5+2.5+3.5) + (1.5+1.5+3.5)	16	6921	0	2664	8408	0	2736	9300	0	2853	9895	0	2930	11382	0	3280	13464	0	3323	13910	0	3413	14654	0	3582	
	18	6956	0	2700	8450	0	2772	9347	0	2912	9945	0	3006	11440	0	3362	13532	0	3492	13980	0	3564	14757	0	3600	
	20	6991	0	2736	8493	0	2808	9394	0	2959	9995	0	3060	11497	0	3420	13600	0	3600	14051	0	3600	14802	0	3600	
	22	7026	0	2772	8535	0	2844	9441	0	3021	10045	0	3139	11555	0	3503	13627	0	3600	14079	0	3600	14831	0	3600	
	24	7061	0	2808	8578	0	2880	9488	0	3081	10095	0	3215	11612	0	3586	13654	0	3600	14107	0	3600	14861	0	3600	
(1.5+2.5+3.5) + (1.5+1.5+5.0)	16	6921	0	2664	8408	0	2736	9300	0	2853	9895	0	2930	11382	0	3280	13464	0	3323	13910	0	3413	14654	0	3582	
	18	6956	0	2700	8450	0	2772	9347	0	2912	9945	0	3006	11440	0	3362	13532	0	3492	13980	0	3564	14757	0	3600	
	20	6991	0	2736	8493	0	2808	9394	0	2959	9995	0	3060	11497	0	3420	13600	0	3600	14051	0	3600	14802	0	3600	
	22	7026	0	2772	8535	0	2844	9441	0	3021	10045	0	3139	11555	0	3503	13627	0	3600	14079	0	3600	14831	0	3600	
	24	7061	0	2808	8578	0	2880	9488	0	3081	10095	0	3215	11612	0	3586	13654	0	3600	14107	0	3600	14861	0	3600	
(1.5+2.5+3.5) + (1.5+1.8+1.8)	16	6921	0	2664	8408	0	2736	9300	0	2853	9895	0	2930	11382	0	3280	13464	0	3323	13910	0	3413	14654	0	3582	
	18	6956	0	2700	8450	0	2772	9347	0	2912	9945	0	3006	11440	0	3362	13532	0	3492	13980	0	3564	14757	0	3600	
	20	6991	0	2736	8493	0	2808	9394	0	2959	9995	0	3060	11497	0	3420	13600	0	3600	14051	0	3600	14802	0	3600	
	22	7026	0	2772	8535	0	2844	9441	0	3021	10045	0	3139	11555	0	3503	13627	0	3600	14079	0	3600	14831	0	3600	
	24	7061	0	2808	8578	0	2880	9488	0	3081	10095	0	3215	11612	0	3586	13654	0	3600	14107	0	3600	14861	0	3600	
(1.5+2.5+3.5) + (1.5+1.8+2.5)	16	6921	0	2664	8408	0	2736	9300	0	2853	9895	0	2930	11382	0	3280	13464	0	3323	13910	0	3413	14654	0	3582	
	18	6956	0	2700	8450	0	2772	9347	0	2912	9945	0	3006	11440	0	3362	13532	0	3492	13980	0	3564	14757	0	3600	
	20	6991	0	2736	8493	0	2808	9394	0	2959	9995	0	3060	11497	0	3420	13600	0	3600	14051	0	3600	14802	0	3600	
	22	7026	0	2772	8535	0	2844	9441	0	3021	10045	0	3139	11555	0	3503	13627	0	3600	14079	0	3600	14831	0	3600	
	24	7061	0	2808	8578	0	2880	9488	0	3081	10095	0	3215	11612	0	3586	13654	0	3600	14107	0	3600	14861	0	3600	
(1.5+2.5+3.5) + (1.5+1.8+3.5)	16	6921	0	2664	8408	0	2736	9300	0	2853	9895	0	2930	11382	0	3280	13464	0	3323	13910	0	3413	14654	0	3582	
	18	6956	0	2700	8450	0	2772	9347	0	2912	9945	0	3006	11440	0	3362	13532	0	3492	13980	0	3564	14757	0	3600	
	20	6991	0	2736	8493	0	2808	9394	0	2959	9995	0	3060	11497	0	3420	13600	0	3600	14051	0	3600	14802	0	3600	
	22	7026	0	2772	8535	0	2844	9441	0	3021	10045	0	3139	11555	0	3503	13627	0	3600	14079	0	3600	14831	0	3600	
	24	7061	0	2808	8578	0	2880	9488	0	3081	10095	0	3215	11612	0	3586	13654	0	3600	14107	0	3600	14861	0	3600	
(1.5+2.5+3.5) + (1.5+1.8+5.0)	16	6921	0	2664	8408	0	2736	9300	0	2853	9895	0	2930	11382	0	3280	13464	0	3323	13910	0	3413	14654	0	3582	
	18	6956	0	2700	8450	0	2772	9347	0	2912	9945	0	3006	11440	0	3362	13532	0	3492	13980	0	3564	14757	0	3600	
	20	6991	0	2736	8493	0	2808	9394	0	2959	9995	0	3060	11497	0	3420	13600	0	3600	14051	0	3600	14802	0	3600	
	22	7026	0	2772	8535	0	2844	9441	0	3021	10045	0	3139	11555	0	3503	13627	0	3600	14079	0	3600	14831	0	3600	
	24	7061	0	2808	8578	0	2880	9488	0	3081	10095	0	3215	11612	0	3586	13654	0	3600	14107	0	3600	14861	0	3600	



	INDOOR		OUTDOOR TEMPERATURE (°CDB)																							
	EDB	-15			-10			-7			-5			0			7			10			15			
		°C	TC	SHC	PI	TC	SHC	PI	TC	SHC	PI	TC	SHC	PI	TC	SHC	PI	TC	SHC	PI	TC	SHC	PI	TC	SHC	PI
(1.5+2.5+3.5) + (1.8+2.5+3.5)	16	6921	0	2664	8408	0	2736	9300	0	2853	9895	0	2930	11382	0	3280	13464	0	3323	13910	0	3413	14654	0	3582	
	18	6956	0	2700	8450	0	2772	9347	0	2912	9945	0	3006	11440	0	3362	13532	0	3492	13980	0	3564	14757	0	3600	
	20	6991	0	2736	8493	0	2808	9394	0	2959	9995	0	3060	11497	0	3420	13600	0	3600	14051	0	3600	14802	0	3600	
	22	7026	0	2772	8535	0	2844	9441	0	3021	10045	0	3139	11555	0	3503	13627	0	3600	14079	0	3600	14831	0	3600	
	24	7061	0	2808	8578	0	2880	9488	0	3081	10095	0	3215	11612	0	3586	13654	0	3600	14107	0	3600	14861	0	3600	
(1.5+2.5+3.5) + (1.8+3.5+3.5)	16	6921	0	2664	8408	0	2736	9300	0	2853	9895	0	2930	11382	0	3280	13464	0	3323	13910	0	3413	14654	0	3582	
	18	6956	0	2700	8450	0	2772	9347	0	2912	9945	0	3006	11440	0	3362	13532	0	3492	13980	0	3564	14757	0	3600	
	20	6991	0	2736	8493	0	2808	9394	0	2959	9995	0	3060	11497	0	3420	13600	0	3600	14051	0	3600	14802	0	3600	
	22	7026	0	2772	8535	0	2844	9441	0	3021	10045	0	3139	11555	0	3503	13627	0	3600	14079	0	3600	14831	0	3600	
	24	7061	0	2808	8578	0	2880	9488	0	3081	10095	0	3215	11612	0	3586	13654	0	3600	14107	0	3600	14861	0	3600	
(1.5+2.5+3.5) + (2.5+2.5+2.5)	16	6921	0	2664	8408	0	2736	9300	0	2853	9895	0	2930	11382	0	3280	13464	0	3323	13910	0	3413	14654	0	3582	
	18	6956	0	2700	8450	0	2772	9347	0	2912	9945	0	3006	11440	0	3362	13532	0	3492	13980	0	3564	14757	0	3600	
	20	6991	0	2736	8493	0	2808	9394	0	2959	9995	0	3060	11497	0	3420	13600	0	3600	14051	0	3600	14802	0	3600	
	22	7026	0	2772	8535	0	2844	9441	0	3021	10045	0	3139	11555	0	3503	13627	0	3600	14079	0	3600	14831	0	3600	
	24	7061	0	2808	8578	0	2880	9488	0	3081	10095	0	3215	11612	0	3586	13654	0	3600	14107	0	3600	14861	0	3600	
(1.5+2.5+3.5) + (2.5+2.5+3.5)	16	6921	0	2664	8408	0	2736	9300	0	2853	9895	0	2930	11382	0	3280	13464	0	3323	13910	0	3413	14654	0	3582	
	18	6956	0	2700	8450	0	2772	9347	0	2912	9945	0	3006	11440	0	3362	13532	0	3492	13980	0	3564	14757	0	3600	
	20	6991	0	2736	8493	0	2808	9394	0	2959	9995	0	3060	11497	0	3420	13600	0	3600	14051	0	3600	14802	0	3600	
	22	7026	0	2772	8535	0	2844	9441	0	3021	10045	0	3139	11555	0	3503	13627	0	3600	14079	0	3600	14831	0	3600	
	24	7061	0	2808	8578	0	2880	9488	0	3081	10095	0	3215	11612	0	3586	13654	0	3600	14107	0	3600	14861	0	3600	
(1.5+3.5+3.5) + (1.5+1.5+1.5)	16	6514	0	2575	7913	0	2645	8753	0	2758	9313	0	2833	10713	0	3170	12672	0	3212	13092	0	3299	13792	0	3463	
	18	6547	0	2610	7953	0	2680	8797	0	2815	9360	0	2906	10767	0	3250	12736	0	3376	13158	0	3445	13889	0	3480	
	20	6579	0	2645	7993	0	2714	8841	0	2861	9407	0	2958	10821	0	3306	12800	0	3480	13224	0	3480	13931	0	3480	
	22	6612	0	2680	8033	0	2749	8886	0	2920	9454	0	3035	10875	0	3386	12826	0	3480	13251	0	3480	13959	0	3480	
	24	6645	0	2714	8073	0	2784	8930	0	2978	9501	0	3108	10929	0	3466	12851	0	3480	13277	0	3480	13987	0	3480	
(1.5+3.5+3.5) + (1.5+1.5+1.8)	16	6768	0	2620	8222	0	2690	9095	0	2805	9677	0	2882	11131	0	3225	13167	0	3267	13603	0	3356	14330	0	3522	
	18	6802	0	2655	8264	0	2726	9141	0	2864	9726	0	2956	11187	0	3306	13234	0	3434	13672	0	3505	14432	0	3540	
	20	6836	0	2690	8305	0	2761	9187	0	2910	9774	0	3009	11243	0	3363	13300	0	3540	13741	0	3540	14475	0	3540	
	22	6871	0	2726	8347	0	2797	9233	0	2971	9823	0	3087	11300	0	3444	13327	0	3540	13768	0	3540	14504	0	3540	
	24	6905	0	2761	8389	0	2832	9279	0	3030	9872	0	3161	11356	0	3526	13353	0	3540	13796	0	3540	14533	0	3540	
(1.5+3.5+3.5) + (1.5+1.5+2.5)	16	6921	0	2664	8408	0	2736	9300	0	2853	9895	0	2930	11382	0	3280	13464	0	3323	13910	0	3413	14654	0	3582	
	18	6956	0	2700	8450	0	2772	9347	0	2912	9945	0	3006	11440	0	3362	13532	0	3492	13980	0	3564	14757	0	3600	
	20	6991	0	2736	8493	0	2808	9394	0	2959	9995	0	3060	11497	0	3420	13600	0	3600	14051	0	3600	14802	0	3600	
	22	7026	0	2772	8535	0	2844	9441	0	3021	10045	0	3139	11555	0	3503	13627	0	3600	14079	0	3600	14831	0	3600	
	24	7061	0	2808	8578	0	2880	9488	0	3081	10095	0	3215	11612	0	3586	13654	0	3600	14107	0	3600	14861	0	3600	
(1.5+3.5+3.5) + (1.5+1.5+3.5)	16	6921	0	2664	8408	0	2736	9300	0	2853	9895	0	2930	11382	0	3280	13464	0	3323	13910	0	3413	14654	0	3582	
	18	6956	0	2700	8450	0	2772	9347	0	2912	9945	0	3006	11440	0	3362	13532	0	3492	13980	0	3564	14757	0	3600	
	20	6991	0	2736	8493	0	2808	9394	0	2959	9995	0	3060	11497	0	3420	13600	0	3600	14051	0	3600	14802	0	3600	
	22	7026	0	2772	8535	0	2844	9441	0	3021	10045	0	3139	11555	0	3503	13627	0	3600	14079	0	3600	14831	0	3600	
	24	7061	0	2808	8578	0	2880	9488	0	3081	10095	0	3215	11612	0	3586	13654	0	3600	14107	0	3600	14861	0	3600	















### 3.3. CORRECTION FACTORS ACCORDING TO PIPING LENGTH

Correction Factor for **Cooling Capacity** according to Piping Length

The cooling capacity should be corrected according to the following formula:

$$CCA = CC \times F$$

CCA: Actual Corrected Cooling Capacity (kcal/h)

CC: Cooling Capacity in the Performance Table (kcal/h)

F: Correction Factor Based on the Equivalent Piping Length

Correction Factor for **Heating Capacity** according to Piping Length

The heating capacity should be corrected according to the following formula:

$$HCA = HC \times F$$

HCA: Actual Corrected Heating Capacity (kcal/h)

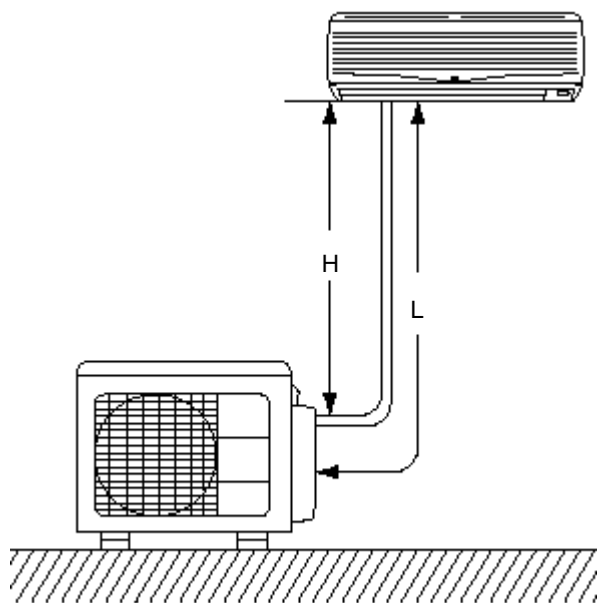
HC: Heating Capacity in the Performance Table (kcal/h)

F: Correction Factor Based on the Equivalent Piping Length

The correction factors are shown in the following figure.

Equivalent Piping Length for:

- One 90° Elbow is 0.5m.
- One 180° Curve is 1.5m.

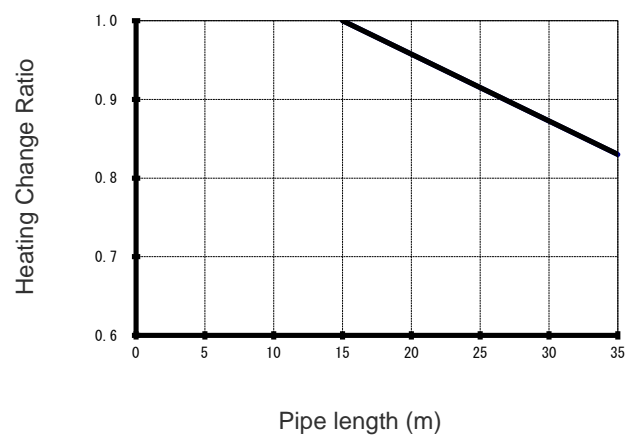
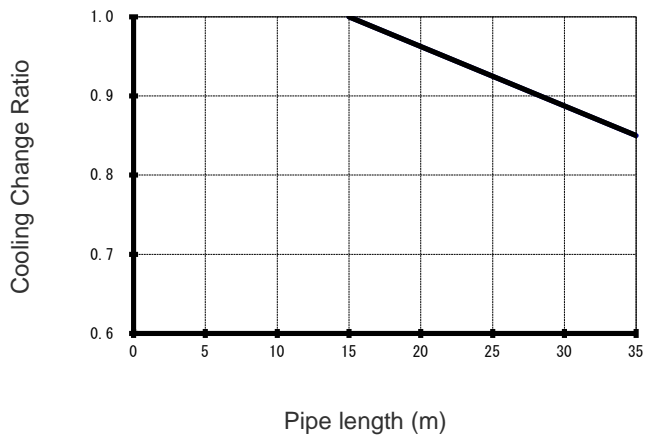


H: Vertical Distance Between Indoor Unit and Outdoor Units in Meters

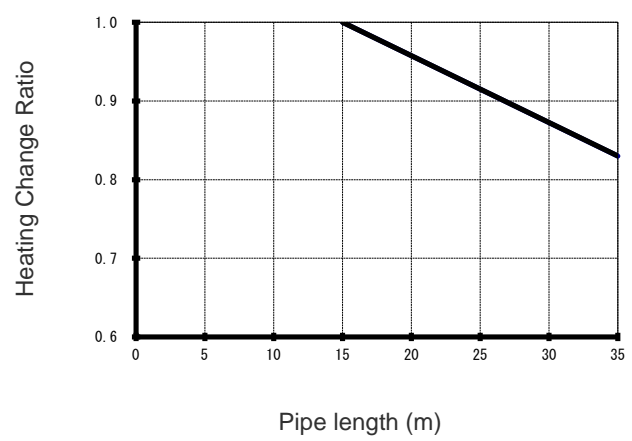
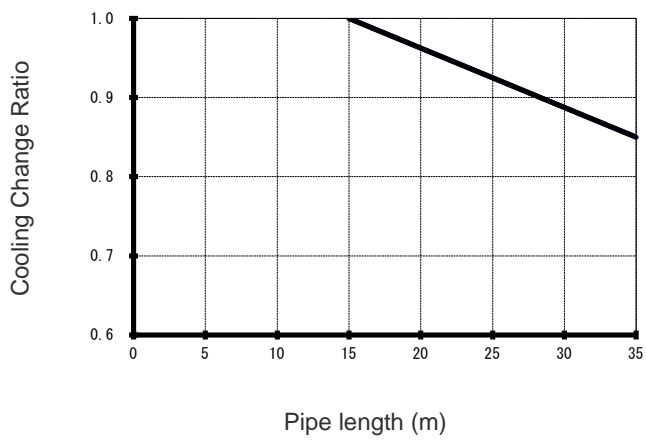
L: Actual One-Way Piping Length Between Indoor Unit and Outdoor Unit in Meters

EL: Equivalent Total Distance Between Indoor Unit and Outdoor Unit in Meters (Equivalent One-Way Piping Length)

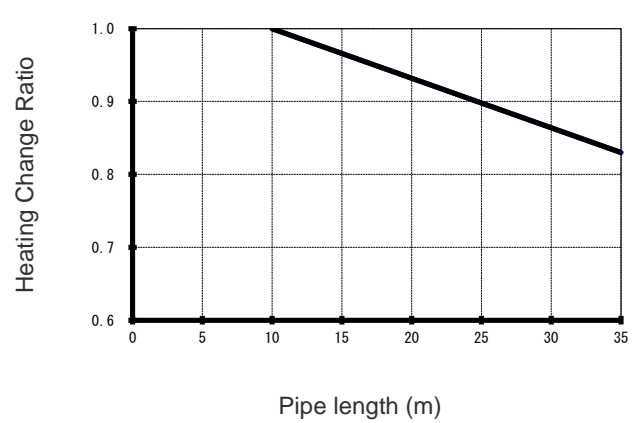
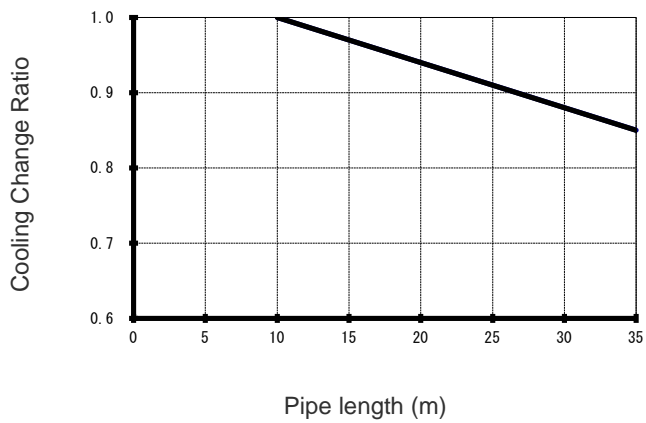
Model Multi Outdoor 3.3 kW  
RAM-33NP2B



Model Multi Outdoor 4.0 kW  
RAM-40NP2B



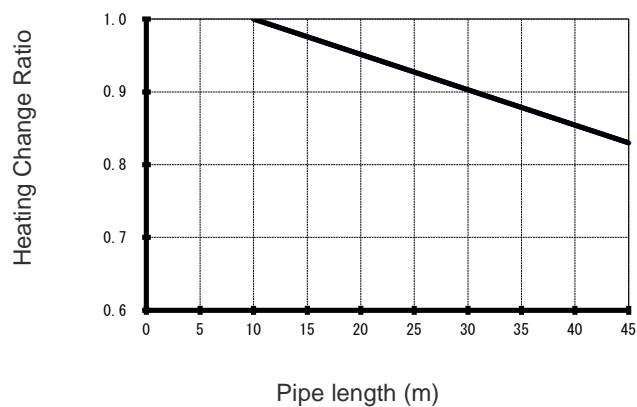
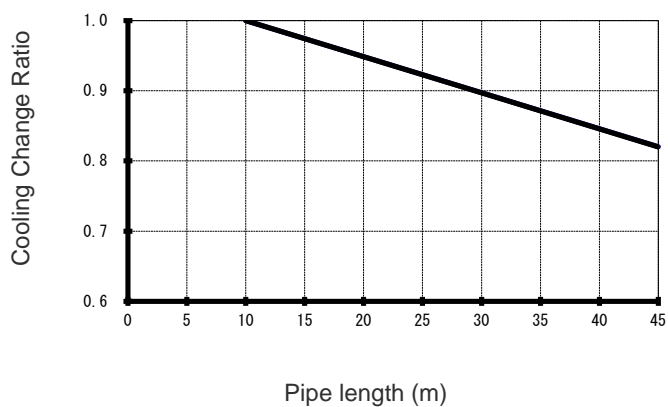
Model Multi Outdoor 5.3 kW  
RAM-53NP2B





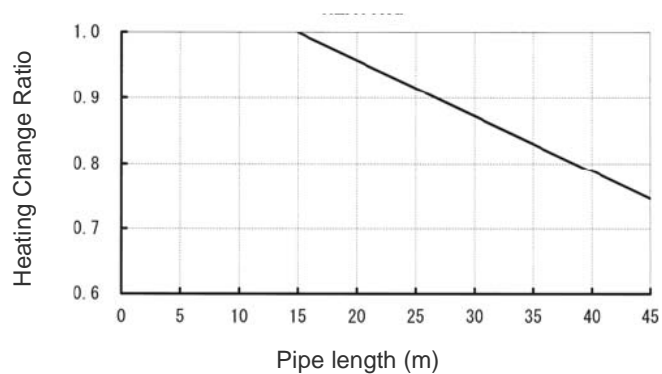
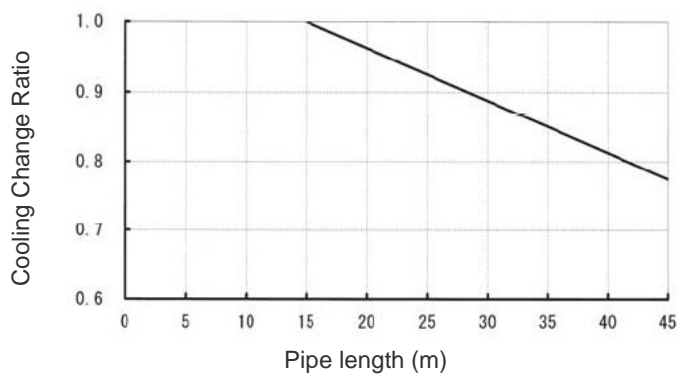
Model Multi Outdoor 5.3 kW

RAM-53NP3B



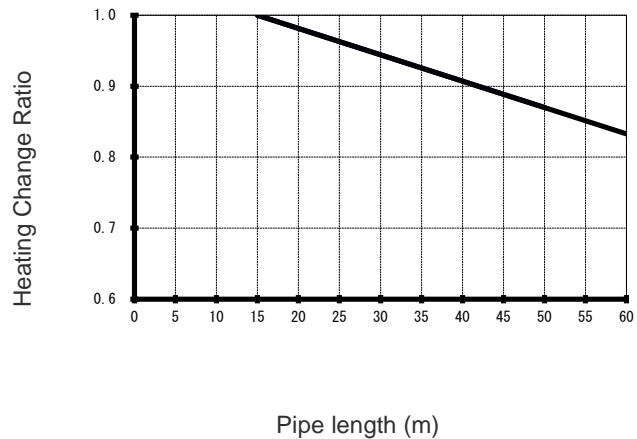
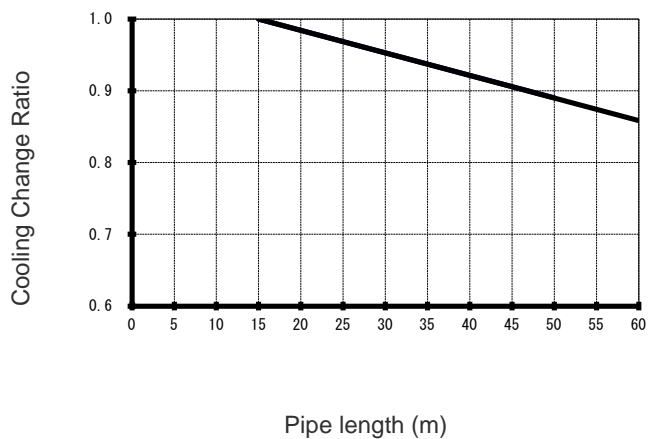
Model Multi Outdoor 6.8 kW

RAM-68NP3B

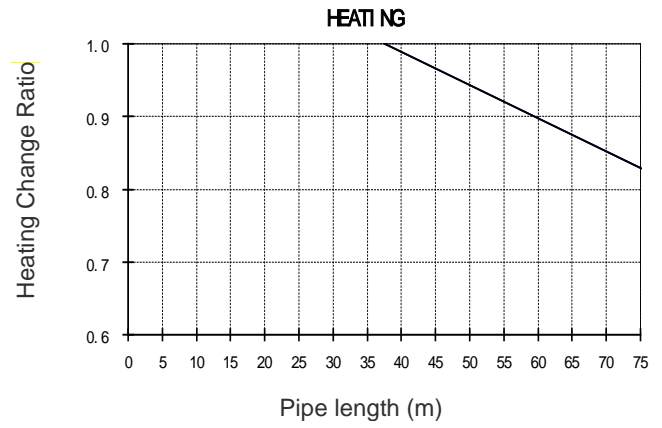
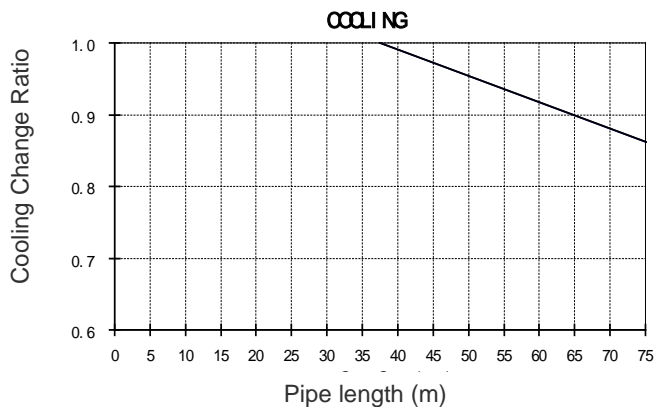


Model Multi Outdoor 7.0 kW

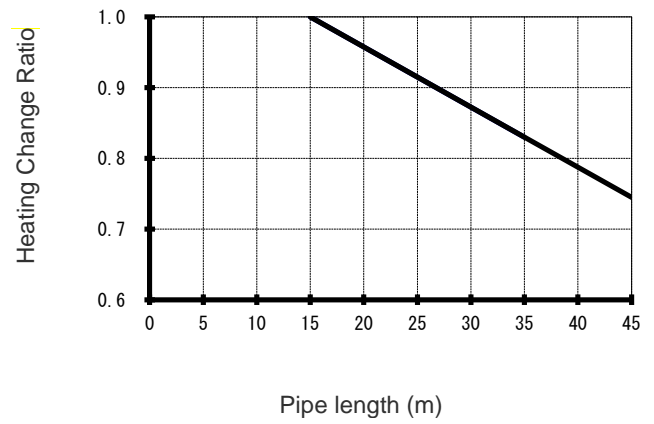
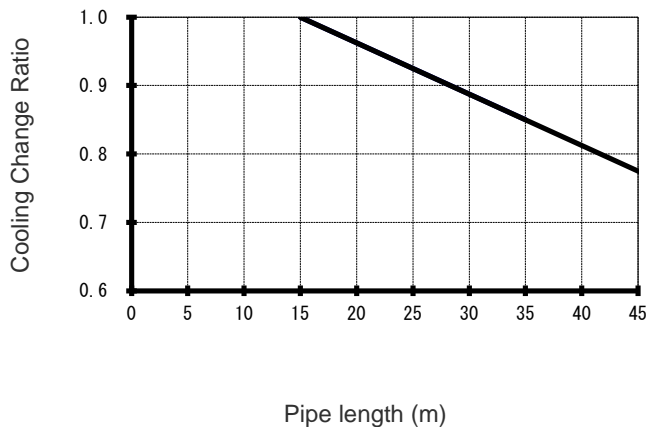
RAM-70NP4B



Model Multi Outdoor 8.5kW  
RAM-90NP5B



Model Multi Outdoor 10.6kW  
RAM-110NP6B



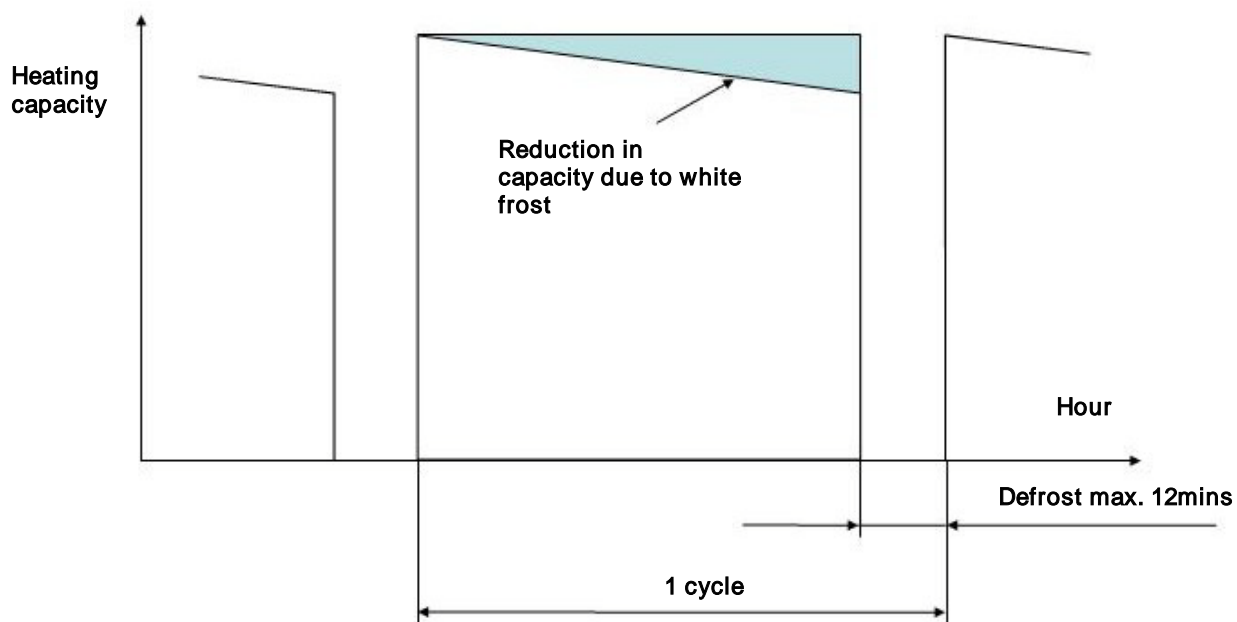
### 3.4. CORRECTION FACTORS ACCORDING TO DEFROSTING OPERATION

The heating capacity in the preceding paragraph, excludes the condition of the frost or the defrosting operation period. In consideration of the frost or the defrosting operation, the heating capacity is corrected by the equation below.

Corrected heating capacity = Defrost Correction factor x unit capacity

OUTDOOR TEMPERATURE (°CDB)	-15	-10	-7	-5	0	7	10	15
Correction factor (humidity rate 85% RH)	0.95	0.95	0.89	0.85	0.81	1.0	1.0	1.0

Correction Factor



**NOTE:**

The correction factor is not valid for special conditions such as snowfall or operation in a transitional period.

### 3.5. COMBINATION TABLE FOR MULTIZONE OUTDOOR

#### 3.5.1. RAM-33NP2B

Whichever indoor units are installed, cooling and heating capacity depends on how many and which indoor units are operating at the same time.

POSSIBLE COMBINATIONS TO OPERATE		COOLING										HEATING						
		TOTAL (kW)	CAPACITY RATING(kW) (RANGE)	TOTAL	OUTDOOR UNIT			EER	Class	CAPACITY RATING(kW) (RANGE)	TOTAL	OUTDOOR UNIT			COP	Class		
					TOTAL INPUT (W)	AMPERE(A)						TOTAL INPUT (W)	AMPERE(A)					
						220V	230V						240V	220V			230V	240V
ONE UNIT	1.5	1.5	1.50 (1.00-2.50)	1.50	330 (200-750)	1.52	1.45	1.39	4.55	A	2.0 (1.10-2.50)	2.00	550 (200-970)	2.63	2.52	2.41	3.64	A
	1.8	1.8	1.80 (1.00-2.50)	1.80	390 (200-750)	1.79	1.71	1.64	4.62	A	2.5 (1.10-3.20)	2.50	690 (200-970)	3.30	3.16	3.03	3.62	A
	2.5	2.5	2.50 (1.00-3.10)	2.50	640 (200-880)	2.94	2.81	2.69	3.91	A	3.4 (1.10-4.20)	3.40	910 (200-1120)	4.35	4.16	3.99	3.74	A
TWO UNITS	1.5+1.5	3.0	1.50+1.50 (1.50-3.50)	3.00	810 (200-930)	3.72	3.56	3.41	3.70	A	2.0+2.0 (1.50-4.60)	4.00	950 (200-1250)	4.55	4.35	4.17	4.21	A
	1.5+1.8	3.3	1.50+1.80 (1.50-3.80)	3.30	800 (200-930)	3.67	3.51	3.37	4.13	A	1.78+2.22 (1.50-4.60)	4.00	950 (200-1250)	4.55	4.35	4.17	4.21	A
	1.5+2.5	4.0	1.24+2.06 (1.50-3.80)	3.30	800 (200-930)	3.67	3.51	3.37	4.13	A	1.36+2.64 (1.50-4.60)	4.00	950 (200-1250)	4.55	4.35	4.17	4.21	A
	1.8+1.8	3.6	1.65+1.65 (1.50-3.80)	3.30	800 (200-1050)	3.67	3.51	3.37	4.13	A	2.0+2.0 (1.50-4.60)	4.00	950 (200-1500)	4.55	4.35	4.17	4.21	A
	1.8+2.5	4.3	1.38+1.92 (1.50-3.80)	3.30	800 (200-1050)	3.67	3.51	3.37	4.13	A	1.56+2.44 (1.50-4.60)	4.00	950 (200-1500)	4.55	4.35	4.17	4.21	A
	2.5+2.5	5.0	1.65+1.65 (1.50-3.80)	3.30	800 (200-1050)	3.67	3.51	3.37	4.13	A	2.0+2.0 (1.50-4.60)	4.00	920 (200-1500)	4.40	4.21	4.04	4.35	A

Indoor unit model	Nominal cooling capacity (kW)	Capacity (kW) at single unit operation		Suitable room size (m <sup>2</sup> ) At single unit operation	
		Cooling	Heating	Cooling	Heating
RAK-18QXB	1.8	1.00-2.50	1.10-3.20	8-12	9-11
RAK-25RXB	2.5	1.00-3.10	1.10-4.20	11-17	14-18
RAK-15QPB	1.5	1.00-2.50	1.10-2.50	8-12	9-11
RAK-18RPB	1.8	1.00-2.50	1.10-3.20	8-12	9-11
RAK-25RPB	2.5	1.00-3.10	1.10-4.20	11-17	14-18
RAF-25RXB	2.5	1.50-2.80	1.80-4.70	11-17	14-18
RAI-25QPB	2.5	1.00-3.10	1.10-4.20	11-17	14-18
RAD-18QPB	1.8	1.00-2.50	1.10-3.20	8-12	9-11
RAD-25QPB	2.5	1.00-3.10	1.10-4.20	11-17	14-18

\*Two units must be connected to the outdoor unit to avoid water condensation and result in water splash.

\*One-unit values are for one unit operation with two indoor connected.

\*Total nominal cooling capacity should not more than 3.3kW.

3.5.2. RAM-40NP2B

Whichever indoor units are installed, cooling and heating capacity depends on how many and which indoor units are operating at the same time.

POSSIBLE COMBINATIONS TO OPERATE	COOLING										HEATING						
	TOTAL (kW)	CAPACITY RATING(kW) (RANGE)	TOTAL	OUTDOOR UNIT			EER	Class	CAPACITY RATING(kW) (RANGE)	TOTAL	OUTDOOR UNIT			COP	Class		
				TOTAL INPUT (W)	AMPERE(A)						TOTAL INPUT (W)	AMPERE(A)					
					220V	230V						240V	220V			230V	240V
ONE UNIT	1.5	1.50 (1.00-2.20)	1.50	380 (200-480)	1.74	1.67	1.60	3.95	A	2.00 (1.10-3.20)	2.00	530 (200-970)	2.43	2.33	2.23	3.77	A
	1.8	1.80 (1.00-2.50)	1.80	455 (200-750)	2.09	2.00	1.91	3.96	A	2.50 (1.10-3.20)	2.50	690 (200-970)	3.17	3.03	2.90	3.62	A
	2.5	2.50 (1.00-3.10)	2.50	650 (200-880)	2.98	2.85	2.74	3.85	A	3.50 (1.10-4.40)	3.50	990 (200-1120)	4.55	4.35	4.17	3.54	B
	3.5	3.50 (1.00-4.00)	3.50	980 (200-1300)	4.50	4.30	4.12	3.57	A	4.80 (1.10-5.00)	4.80	1350 (200-1300)	6.20	5.93	5.68	3.56	B
TWO UNITS	1.5+1.5	1.50+1.50 (1.50-2.80)	3.00	820 (200-780)	3.76	3.60	3.45	3.66	A	2.00+2.00 (1.50-4.60)	4.00	1020 (200-950)	4.68	4.48	4.29	3.92	A
	1.5+1.8	1.50+1.80 (1.50-3.50)	3.30	870 (200-930)	3.99	3.82	3.66	3.79	A	2.00+2.50 (1.50-5.00)	4.50	1120 (200-1020)	5.14	4.92	4.71	4.02	A
	1.5+2.5	1.50+2.50 (1.50-4.00)	4.00	1050 (200-1150)	4.82	4.61	4.42	3.81	A	1.89+3.31 (1.50-5.50)	5.20	1280 (200-1500)	5.88	5.62	5.39	4.06	A
	1.5+3.5	1.20+2.80 (1.50-4.20)	4.00	1050 (200-1150)	4.82	4.61	4.42	3.81	A	1.53+3.67 (1.50-5.50)	5.20	1250 (200-1500)	5.74	5.49	5.26	4.16	A
	1.8+1.8	1.80+1.80 (1.50-4.00)	3.60	968 (200-1050)	4.44	4.25	4.07	3.72	A	2.50+2.50 (1.50-5.00)	5.00	1230 (200-1500)	5.65	5.40	5.18	4.07	A
	1.8+2.5	1.67+2.33 (1.50-4.20)	4.00	1050 (200-1150)	4.82	4.61	4.42	3.81	A	2.17+3.03 (1.50-5.50)	5.20	1250 (200-1500)	5.74	5.49	5.26	4.16	A
	1.8+3.5	1.36+2.64 (1.50-4.20)	4.00	1050 (200-1150)	4.82	4.61	4.42	3.81	A	1.78+3.42 (1.50-5.50)	5.20	1250 (200-1500)	5.74	5.49	5.26	4.16	A
	2.5+2.5	2.00+2.00 (1.50-4.20)	4.00	1050 (200-1150)	4.82	4.61	4.42	3.81	A	2.60+2.60 (1.50-5.50)	5.20	1250 (200-1500)	5.74	5.49	5.26	4.16	A
	2.5+3.5	1.67+2.33 (1.50-4.20)	4.00	1050 (200-1150)	4.82	4.61	4.42	3.81	A	2.19+3.01 (1.50-5.50)	5.20	1210 (200-1500)	5.56	5.31	5.09	4.30	A

Indoor unit model	Nominal cooling capacity (kW)	Capacity (kW) at single unit operation		Suitable room size (m <sup>2</sup> ) At single unit operation	
		Cooling	Heating	Cooling	Heating
RAK-18QXB	1.8	1.00-2.50	1.10-3.20	8-12	9-11
RAK-25RXB	2.5	1.00-3.10	1.10-4.40	11-17	14-18
RAK-35RXB	3.5	1.00-4.00	1.10-5.00	16-24	17-22
RAK-15QPB	1.5	1.10-2.20	1.10-3.20	8-12	9-11
RAK-18RPB	1.8	1.00-2.50	1.10-3.20	8-12	9-11
RAK-25RPB	2.5	1.00-3.10	1.10-4.40	11-17	14-18
RAK-35RPB	3.5	1.00-4.00	1.10-5.00	16-24	17-22
RAF-25RXB	2.5	1.50-2.80	1.80-4.70	11-17	14-18
RAF-35RXB	3.5	1.50-3.90	1.80-5.80	16-24	17-22
RAI-25QPB	2.5	1.00-3.10	1.10-4.40	11-17	14-18
RAI-35QPB	3.5	1.00-4.00	1.10-5.00	16-24	17-22
RAD-18QPB	1.8	1.00-2.50	1.10-3.20	8-12	9-11
RAD-25QPB	2.5	1.00-3.10	1.10-4.40	11-17	14-18
RAD-35QPB	3.5	1.00-4.00	1.10-5.00	16-24	17-22

\*Two units must be connected to the outdoor unit to avoid water condensation and result in water splash.

\*One-unit values are for one unit operation with two indoor connected.

\*Total nominal cooling capacity should not more than 4.0kW.

3.5.3. RAM-53NP2B

Whichever indoor units are installed, cooling and heating capacity depends on how many and which indoor units are operating at the same time.

POSSIBLE COMBINATIONS TO OPERATE	COOLING										HEATING								
	TOTAL (kW)	CAPACITY RATING(kW) (RANGE)	OUTDOOR UNIT							EER	Class	CAPACITY RATING(kW) (RANGE)	TOTAL	OUTDOOR UNIT				COP	Class
			TOTAL	TOTAL INPUT (W)	AMPERE(A)			TOTAL INPUT (W)	AMPERE(A)										
					220V	230V	240V		220V					230V	240V				
ONE UNIT	1.5	1.5	1.50	1.50	430	1.97	1.89	1.81	3.49	A	2.00	2.00	610	2.80	2.68	2.57	3.28	C	
	1.8	1.8	1.80	1.80	495	2.27	2.17	2.08	3.64	A	2.50	2.50	690	3.17	3.03	2.90	3.62	A	
	2.5	2.5	2.50	2.50	700	3.21	3.07	2.95	3.57	A	3.90	3.90	1060	4.87	4.66	4.46	3.68	A	
	3.5	3.5	3.50	3.50	1030	4.73	4.52	4.34	3.40	A	4.80	4.80	1320	6.06	5.80	5.56	3.64	A	
	5.0	5.0	5.00	5.00	1510	6.93	6.63	6.36	3.31	A	6.50	6.50	1800	8.26	7.91	7.58	3.61	A	
TWO UNITS	1.5+1.5	3.0	1.50+1.50	3.00	920	4.22	4.04	3.87	3.26	A	2.00+2.00	4.00	1060	4.87	4.66	4.46	3.77	A	
	1.5+1.8	3.3	1.50+1.80	3.30	1020	4.68	4.48	4.29	3.24	A	2.00+2.50	4.50	1250	5.74	5.49	5.26	3.60	A	
	1.5+2.5	4.0	1.50+2.50	4.00	1180	5.42	5.18	4.97	3.39	A	2.00+3.90	5.90	1620	7.44	7.11	6.82	3.64	A	
	1.5+3.5	5.0	1.50+3.50	5.00	1480	6.80	6.50	6.23	3.38	A	2.00+4.80	6.80	1820	8.36	7.99	7.66	3.74	A	
	1.5+5.0	6.5	1.22+4.08	5.30	1550	7.12	6.81	6.52	3.42	A	1.60+5.20	6.80	1820	8.36	7.99	7.66	3.74	A	
	1.8+1.8	3.6	1.80+1.80	3.60	1080	4.96	4.74	4.55	3.33	A	2.50+2.50	5.00	1290	5.92	5.67	5.43	3.88	A	
	1.8+2.5	4.3	1.80+2.50	4.30	1280	5.88	5.62	5.39	3.36	A	2.50+3.90	6.40	1700	7.81	7.47	7.15	3.76	A	
	1.8+3.5	5.3	1.80+3.50	5.30	1550	7.12	6.81	6.52	3.42	A	2.31+4.49	6.80	1850	8.49	8.12	7.79	3.68	A	
	1.8+5.0	6.8	1.40+3.90	5.30	1550	7.12	6.81	6.52	3.42	A	1.80+5.00	6.80	1820	8.36	7.99	7.66	3.74	A	
	2.5+2.5	5.0	2.50+2.50	5.00	1470	6.75	6.46	6.19	3.40	A	3.40+3.40	6.80	1820	8.36	7.99	7.66	3.74	A	
	2.5+3.5	6.0	2.21+3.09	5.30	1550	7.12	6.81	6.52	3.42	A	2.83+3.97	6.80	1820	8.36	7.99	7.66	3.74	A	
	3.5+3.5	7.0	2.65+2.65	5.30	1550	7.12	6.81	6.52	3.42	A	3.40+3.40	6.80	1790	8.22	7.86	7.53	3.80	A	
	2.5+5.0	7.5	1.77+3.53	5.30	1550	7.12	6.81	6.52	3.42	A	2.27+4.53	6.80	1790	8.22	7.86	7.53	3.80	A	
	3.5+5.0	8.5	2.18+3.12	5.30	1550	7.12	6.81	6.52	3.42	A	2.80+4.00	6.80	1790	8.22	7.86	7.53	3.80	A	



Indoor unit model	Nominal cooling capacity (kW)	Capacity (kW) at single unit operation		Suitable room size (m <sup>2</sup> ) At single unit operation	
		Cooling	Heating	Cooling	Heating
RAK-18QXB	1.8	1.00-2.00	1.10-3.20	8-12	9-11
RAK-25RXB	2.5	1.00-2.80	1.10-4.70	11-17	14-18
RAK-35RXB	3.5	1.00-3.90	1.10-5.80	16-24	17-22
RAK-50RXB	5.0	1.00-5.50	1.10-7.20	23-34	23-29
RAK-15QPB	1.5	1.00-2.20	1.10-2.20	8-12	9-11
RAK-18RPB	1.8	1.00-2.00	1.10-3.20	8-12	9-11
RAK-25RPB	2.5	1.00-2.80	1.10-4.70	11-17	14-18
RAK-35RPB	3.5	1.00-3.90	1.10-5.80	16-24	17-22
RAK-50RPB	5.0	1.00-5.50	1.10-7.20	23-34	23-29
RAF-25RXB	2.5	1.50-2.80	1.80-4.70	11-17	14-18
RAF-35RXB	3.5	1.50-3.90	1.80-5.80	16-24	17-22
RAF-50RXB	5.0	1.50-5.60	1.80-7.20	23-34	23-29
RAI-25QPB	2.5	1.00-2.80	1.10-4.70	11-17	14-18
RAI-35QPB	3.5	1.00-3.90	1.10-5.80	16-24	17-22
RAI-50QPB	5.0	1.00-5.50	1.10-7.20	23-34	23-29
RAD-18QPB	1.8	1.00-2.00	1.10-3.20	8-12	9-11
RAD-25QPB	2.5	1.00-2.80	1.10-4.70	11-17	14-18
RAD-35QPB	3.5	1.00-3.90	1.10-5.80	16-24	17-22
RAD-50QPB	5.0	1.00-5.50	1.10-7.20	23-34	23-29

\*Two units must be connected to the outdoor unit to avoid water condensation and result in water splash.

\*One unit values are for one unit operation with two indoor connected.

\*Total nominal cooling capacity should not be more than 8.8kW

3.5.4. RAM-53NP3B

Whichever indoor units are installed, cooling and heating capacity depends on how many and which indoor units are operating at the same time.

POSSIBLE COMBINATIONS TO OPERATE	COOLING										HEATING							
	TOTAL (kW)	CAPACITY RATING (kW) (RANGE)			OUTDOOR UNIT			EER	Class	CAPACITY RATING (kW) (RANGE)		OUTDOOR UNIT			COP	Class		
					TOTAL INPUT (W)	AMPERE(A)						TOTAL INPUT (W)	AMPERE(A) at 220V-240V					
		220V	230V	240V		220V	230V			240V								
ONE UNIT	1.5	1.5	1.50	1.50	430	1.97	1.89	1.81	3.49	A	2.00	2.00	610	2.80	2.68	2.57	3.28	C
			(1.00-2.20)		(200-480)						(1.10-2.20)		(200-650)					
	1.8	1.8	1.80	1.80	495	2.27	2.17	2.08	3.64	A	2.50	2.50	690	3.17	3.03	2.90	3.62	A
			(1.00-2.00)		(200-750)						(1.10-3.20)		(200-1050)					
	2.5	2.5	2.50	2.50	700	3.21	3.07	2.95	3.57	A	3.90	3.90	1060	4.87	4.66	4.46	3.68	A
		(1.00-2.80)		(200-980)						(1.10-4.70)		(200-1380)						
	3.5	3.5	3.50	3.50	1030	4.73	4.52	4.34	3.40	A	4.80	4.80	1320	6.06	5.80	5.56	3.64	A
			(1.00-3.90)		(200-1280)						(1.10-5.80)		(200-1870)					
	5.0	5.0	5.00	5.00	1510	6.93	6.63	6.36	3.31	A	6.50	6.50	1800	8.26	7.91	7.58	3.61	A
			(1.00-5.50)		(200-1660)						(1.10-7.20)		(200-2010)					
TWO UNITS	1.5+1.5	3.0	1.50+1.50	3.00	920	4.22	4.04	3.87	3.26	A	2.00+2.00	4.00	1060	4.87	4.66	4.46	3.77	A
			(1.50-3.90)		(200-1000)						(1.50-4.70)		(200-1380)					
	1.5+1.8	3.3	1.50+1.80	3.30	1020	4.68	4.48	4.29	3.24	A	2.00+2.50	4.50	1250	5.74	5.49	5.26	3.60	A
			(1.50-3.90)		(200-1300)						(1.50-5.20)		(200-1870)					
	1.5+2.5	4.0	1.50+2.50	4.00	1180	5.42	5.18	4.97	3.39	A	2.00+3.90	5.90	1620	7.44	7.11	6.82	3.64	A
			(1.50-4.50)		(200-1250)						(1.50-6.50)		(200-2010)					
	1.5+3.5	5.0	1.50+3.50	5.00	1480	6.80	6.50	6.23	3.38	A	2.00+4.80	6.80	1820	8.36	7.99	7.66	3.74	A
			(1.50-5.90)		(200-1660)						(1.50-7.20)		(200-2010)					
	1.5+5.0	6.5	1.22+4.08	5.30	1550	7.12	6.81	6.52	3.42	A	1.60+5.20	6.80	1820	8.36	7.99	7.66	3.74	A
			(1.50-5.90)		(200-1660)						(1.50-7.20)		(200-2010)					
	1.8+1.8	3.6	1.80+1.80	3.60	1080	4.96	4.74	4.55	3.33	A	2.50+2.50	5.00	1290	5.92	5.67	5.43	3.88	A
			(1.50-4.00)		(200-1300)						(1.50-5.20)		(200-1550)					
	1.8+2.5	4.3	1.80+2.50	4.30	1280	5.88	5.62	5.39	3.36	A	2.50+3.90	6.40	1700	7.81	7.47	7.15	3.76	A
			(1.50-4.60)		(200-1450)						(1.50-6.30)		(200-1920)					
1.8+3.5	5.3	1.80+3.50	5.30	1550	7.12	6.81	6.52	3.42	A	2.31+4.49	6.80	1850	8.49	8.12	7.79	3.68	A	
		(1.50-5.60)		(200-1660)						(1.50-7.20)		(200-2010)						
1.8+5.0	6.8	1.40+3.90	5.30	1550	7.12	6.81	6.52	3.42	A	1.80+5.00	6.80	1820	8.36	7.99	7.66	3.74	A	
		(1.50-5.90)		(200-1660)						(1.50-7.20)		(200-2010)						
2.5+2.5	5.0	2.50+2.50	5.00	1470	6.75	6.46	6.19	3.40	A	3.40+3.40	6.80	1820	8.36	7.99	7.66	3.74	A	
		(1.50-5.60)		(200-1660)						(1.50-7.20)		(200-2010)						
2.5+3.5	6.0	2.21+3.09	5.30	1550	7.12	6.81	6.52	3.42	A	2.83+3.97	6.80	1820	8.36	7.99	7.66	3.74	A	
		(1.50-5.70)		(200-1660)						(1.50-7.20)		(200-2010)						
3.5+3.5	7.0	2.65+2.65	5.30	1550	7.12	6.81	6.52	3.42	A	3.40+3.40	6.80	1790	8.22	7.86	7.53	3.80	A	
		(1.50-5.90)		(200-1660)						(1.50-7.20)		(200-2010)						
2.5+5.0	7.5	1.77+3.53	5.30	1550	7.12	6.81	6.52	3.42	A	2.27+4.53	6.80	1790	8.22	7.86	7.53	3.80	A	
		(1.50-5.90)		(200-1660)						(1.50-7.20)		(200-2010)						
3.5+5.0	8.5	2.18+3.12	5.30	1550	7.12	6.81	6.52	3.42	A	2.80+4.00	6.80	1790	8.22	7.86	7.53	3.80	A	
		(1.50-6.60)		(200-1660)						(1.50-7.20)		(200-2010)						

POSSIBLE COMBINATIONS TO OPERATE	COOLING										HEATING							
	TOTAL (kW)	CAPACITY RATING (kW) (RANGE)	TOTAL	OUTDOOR UNIT			EER	Class	CAPACITY RATING (kW) (RANGE)	TOTAL	OUTDOOR UNIT			COP	Class			
				TOTAL INPUT (W)	AMPERE(A)						TOTAL INPUT (W)	AMPERE(A) at 220V-240V						
					220V	230V						240V	220V			230V	240V	
THREE UNITS	1.5+1.5+1.5	4.5	1.50+1.50+1.50 (1.50-5.00)	4.50	1320 (200-1680)	6.06	5.80	5.56	3.41	A	2.00+2.00+2.00 (1.50-6.20)	6.00	1580 (200-1550)	7.25	6.80	6.65	3.80	A
	1.5+1.5+1.8	4.8	1.50+1.50+1.80 (1.50-6.00)	4.80	1420 (200-1680)	6.52	6.24	5.98	3.38	A	2.00+2.00+2.50 (1.50-6.60)	6.50	1620 (200-1760)	7.44	6.97	6.82	4.01	A
	1.5+1.5+2.5	5.5	1.45+1.45+2.41 (1.50-6.00)	5.30	1550 (200-1660)	7.12	6.81	6.52	3.42	A	1.72+1.72+3.36 (1.50-7.20)	6.80	1680 (200-1860)	7.71	7.23	7.07	4.05	A
	1.5+1.5+3.5	6.5	1.22+1.22+2.85 (1.50-6.00)	5.30	1550 (200-1680)	7.12	6.81	6.52	3.42	A	1.55+1.55+3.71 (1.50-7.20)	6.80	1680 (200-1860)	7.71	7.23	7.07	4.05	A
	1.5+1.5+5.0	8.0	0.99+0.99+3.31 (1.50-6.00)	5.30	1550 (200-1680)	7.12	6.81	6.52	3.42	A	1.30+1.30+4.21 (1.50-7.20)	6.80	1680 (200-1860)	7.71	7.23	7.07	4.05	A
	1.5+1.8+1.8	5.1	1.50+1.80+1.80 (1.50-6.00)	5.10	1500 (200-1660)	6.89	6.59	6.31	3.40	A	1.94+2.43+2.43 (1.50-7.20)	6.80	1680 (200-1860)	7.71	7.23	7.07	4.05	A
	1.5+1.8+2.5	5.8	1.37+1.64+2.28 (1.50-6.00)	5.30	1550 (200-1680)	7.12	6.81	6.52	3.42	A	1.62+2.02+3.16 (1.50-7.20)	6.80	1680 (200-1860)	7.71	7.23	7.07	4.05	A
	1.5+1.8+3.5	6.8	1.17+1.40+2.73 (1.50-6.00)	5.30	1550 (200-1680)	7.12	6.81	6.52	3.42	A	1.46+1.83+3.51 (1.50-7.20)	6.80	1680 (200-1860)	7.71	7.23	7.07	4.05	A
	1.5+1.8+5.0	8.3	0.96+1.15+3.19 (1.50-6.00)	5.30	1550 (200-1680)	7.12	6.81	6.52	3.42	A	1.24+1.55+4.02 (1.50-7.20)	6.80	1680 (200-1860)	7.71	7.23	7.07	4.05	A
	1.5+2.5+2.5	6.5	1.22+2.04+2.04 (1.50-6.00)	5.30	1550 (200-1680)	7.12	6.81	6.52	3.42	A	1.39+2.71+2.71 (1.50-7.20)	6.80	1680 (200-1860)	7.71	7.23	7.07	4.05	A
	1.5+2.5+3.5	7.5	1.06+1.77+2.47 (1.50-6.00)	5.30	1550 (200-1680)	7.12	6.81	6.52	3.42	A	1.27+2.48+3.05 (1.50-7.20)	6.80	1680 (200-1860)	7.71	7.23	7.07	4.05	A
	1.5+3.5+3.5	8.5	0.94+2.18+2.18 (1.50-6.00)	5.30	1550 (200-1680)	7.12	6.81	6.52	3.42	A	1.17+2.81+2.81 (1.50-7.20)	6.80	1680 (200-1860)	7.71	7.23	7.07	4.05	A
	1.8+1.8+1.8	5.4	1.77+1.77+1.77 (1.50-6.00)	5.30	1550 (200-1680)	7.12	6.81	6.52	3.42	A	2.27+2.27+2.27 (1.50-7.20)	6.80	1680 (200-1860)	7.71	7.23	7.07	4.05	A
	1.8+1.8+2.5	6.1	1.56+1.56+2.17 (1.50-6.40)	5.30	1550 (200-1680)	7.12	6.81	6.52	3.42	A	2.01+2.01+2.79 (1.50-7.20)	6.80	1680 (200-1860)	7.71	7.23	7.07	4.05	A
	1.8+1.8+3.5	7.1	1.34+1.34+2.61 (1.50-6.60)	5.30	1550 (200-1680)	7.12	6.81	6.52	3.42	A	1.72+1.72+3.35 (1.50-7.20)	6.80	1680 (200-1860)	7.71	7.23	7.07	4.05	A
	1.8+1.8+5.0	8.6	1.11+1.11+3.08 (1.50-6.60)	5.30	1550 (200-1680)	7.12	6.81	6.52	3.42	A	1.42+1.42+3.95 (1.50-7.20)	6.80	1680 (200-1860)	7.71	7.23	7.07	4.05	A
	1.8+2.5+2.5	6.8	1.40+1.95+1.95 (1.50-6.60)	5.30	1550 (200-1680)	7.12	6.81	6.52	3.42	A	1.80+2.50+2.50 (1.50-7.20)	6.80	1680 (200-1860)	7.71	7.23	7.07	4.05	A
	1.8+2.5+3.5	7.8	1.22+1.70+2.38 (1.50-6.60)	5.30	1550 (200-1680)	7.12	6.81	6.52	3.42	A	1.57+2.18+3.05 (1.50-7.20)	6.80	1680 (200-1860)	7.71	7.23	7.07	4.05	A
	1.8+3.5+3.5	8.8	1.08+2.11+2.11 (1.50-6.60)	5.30	1550 (200-1680)	7.12	6.81	6.52	3.42	A	1.40+2.70+2.70 (1.50-7.20)	6.80	1680 (200-1860)	7.71	7.23	7.07	4.05	A
	2.5+2.5+2.5	7.5	1.77+1.77+1.77 (1.50-6.60)	5.30	1550 (200-1680)	7.12	6.81	6.52	3.42	A	2.27+2.27+2.27 (1.50-7.20)	6.80	1680 (200-1860)	7.71	7.23	7.07	4.05	A
2.5+2.5+3.5	8.5	1.56+1.56+2.18 (1.50-6.60)	5.30	1550 (200-1680)	7.12	6.81	6.52	3.42	A	2.00+2.00+2.80 (1.50-7.20)	6.80	1620 (200-1860)	7.44	6.97	6.82	4.20	A	

Indoor unit model	Nominal cooling capacity (kW)	Capacity (kW) at single unit operation		Suitable room size (m <sup>2</sup> ) At single unit operation	
		Cooling	Heating	Cooling	Heating
RAK-18QXB	1.8	1.00-2.00	1.10-3.20	8-12	9-11
RAK-25RXB	2.5	1.00-2.80	1.10-4.70	11-17	14-18
RAK-35RXB	3.5	1.00-3.90	1.10-5.80	16-24	17-22
RAK-50RXB	5.0	1.00-5.50	1.10-7.20	23-34	23-29
RAK-15QPB	1.5	1.00-2.20	1.10-2.20	8-12	9-11
RAK-18RPB	1.8	1.00-2.00	1.10-3.20	8-12	9-11
RAK-25RPB	2.5	1.00-2.80	1.10-4.70	11-17	14-18
RAK-35RPB	3.5	1.00-3.90	1.10-5.80	16-24	17-22
RAK-50RPB	5.0	1.00-5.50	1.10-7.20	23-34	23-29
RAF-25RXB	2.5	1.50-2.80	1.80-4.70	11-17	14-18
RAF-35RXB	3.5	1.50-3.90	1.80-5.80	16-24	17-22
RAF-50RXB	5.0	1.50-5.60	1.80-7.20	23-34	23-29
RAI-25QPB	2.5	1.00-2.80	1.10-4.70	11-17	14-18
RAI-35QPB	3.5	1.00-3.90	1.10-5.80	16-24	17-22
RAI-50QPB	5.0	1.00-5.50	1.10-7.20	23-34	23-29
RAD-18QPB	1.8	1.00-2.00	1.10-3.20	8-12	9-11
RAD-25QPB	2.5	1.00-2.80	1.10-4.70	11-17	14-18
RAD-35QPB	3.5	1.00-3.90	1.10-5.80	16-24	17-22
RAD-50QPB	5.0	1.00-5.50	1.10-7.20	23-34	23-29

\*Two units must be connected to the outdoor unit to avoid water condensation and result in water splash.

\*One-unit values are for one unit operation with two indoor connected.

\*Total nominal cooling capacity should not be more than 8.8kW.

3.5.5. RAM-68NP3B

Whichever indoor units are installed, cooling and heating capacity depends on how many and which indoor units are operating at the same time.

POSSIBLE COMBINATIONS TO OPERATE	COOLING										HEATING							
	TOTAL (kW)	CAPACITY RATING (kW) (RANGE)	OUTDOOR UNIT						EER	Class	CAPACITY RATING (kW) (RANGE)	TOTAL	OUTDOOR UNIT				COP	Class
			TOTAL INPUT (W)	AMPERE(A)			TOTAL INPUT (W)	AMPERE(A) at 220V-240V										
				220V	230V	240V		220V					230V	240V				
ONE UNIT	1.5	1.5	1.50 (1.00-1.60)	1.50	400 (200-480)	1.84	1.76	1.68	3.75	A	2.00 (1.10-2.20)	2.00	560 (320-850)	2.57	2.46	2.36	3.57	B
	1.8	1.8	1.80 (1.50-2.00)	1.80	450 (280-500)	2.07	1.98	1.89	4.00	A	2.50 (1.80-3.50)	2.50	720 (320-1130)	3.31	3.16	3.03	3.47	B
	2.5	2.5	2.50 (1.50-2.80)	2.50	650 (280-720)	2.98	2.85	2.74	3.85	A	3.40 (1.80-4.70)	3.40	980 (320-1480)	4.50	4.30	4.12	3.47	B
	3.5	3.5	3.50 (1.50-3.90)	3.50	1030 (280-1130)	4.73	4.52	4.34	3.40	A	4.30 (1.80-5.80)	4.30	1150 (320-1950)	5.28	5.05	4.84	3.74	A
	5.0	5.0	5.00 (1.50-5.60)	5.00	1450 (280-1800)	6.66	6.37	6.10	3.45	A	6.50 (1.80-7.20)	6.50	2030 (320-2530)	9.32	8.92	8.54	3.20	C
TWO UNITS	1.5+1.5	3.0	1.50+1.50 (1.50-2.80)	3.00	870 (380-980)	3.99	3.82	3.66	3.45	A	2.00+2.00 (2.20-4.70)	4.00	1080 (200-1100)	4.96	4.74	4.55	3.70	A
	1.5+1.8	3.3	1.50+1.80 (1.50-3.50)	3.30	950 (380-1000)	4.36	4.17	4.00	3.47	A	2.00+2.50 (2.20-5.20)	4.50	1200 (200-1300)	5.51	5.27	5.05	3.75	A
	1.5+2.5	4.0	1.50+2.50 (1.50-4.00)	4.00	1150 (380-1300)	5.28	5.05	4.84	3.48	A	2.00+3.40 (2.20-6.40)	5.40	1450 (200-1780)	6.66	6.37	6.10	3.72	A
	1.5+3.5	5.0	1.50+3.50 (1.50-5.20)	5.00	1450 (380-1450)	6.66	6.37	6.10	3.45	A	2.00+4.30 (2.20-7.20)	6.30	1660 (200-2010)	7.62	7.29	6.99	3.80	A
	1.5+5.0	6.5	1.50+5.00 (1.50-5.90)	6.50	1950 (380-2380)	8.95	8.56	8.21	3.33	A	2.00+6.50 (2.20-7.20)	8.50	2200 (390-3120)	10.10	9.66	9.26	3.86	A
	1.8+1.8	3.6	1.80+1.80 (2.00-4.00)	3.60	1020 (380-1020)	4.68	4.48	4.29	3.53	A	2.50+2.50 (2.20-6.40)	5.00	1380 (390-2750)	6.34	6.06	5.81	3.62	A
	1.8+2.5	4.3	1.80+2.50 (2.00-4.70)	4.30	1120 (380-1360)	5.14	4.92	4.71	3.84	A	2.50+3.40 (2.20-7.20)	5.90	1610 (390-3000)	7.39	7.07	6.78	3.66	A
	1.8+3.5	5.3	1.80+3.50 (2.00-5.80)	5.30	1600 (380-1950)	7.35	7.03	6.73	3.31	A	2.50+4.30 (2.20-7.20)	6.80	1850 (390-3120)	8.49	8.12	7.79	3.68	A
	1.8+5.0	6.8	1.80+5.00 (2.00-7.10)	6.80	2050 (380-2820)	9.41	9.00	8.63	3.32	A	2.36+6.14 (2.20-9.50)	8.50	2350 (390-3120)	10.79	10.32	9.89	3.62	A
	2.5+2.5	5.0	2.50+2.50 (2.00-5.50)	5.00	1410 (380-1720)	6.47	6.19	5.93	3.55	A	3.40+3.40 (2.20-9.50)	6.80	2000 (390-3120)	9.18	8.78	8.42	3.40	B
	2.5+3.5	6.0	2.50+3.50 (2.00-6.60)	6.00	1850 (380-2380)	8.49	8.12	7.79	3.24	A	3.40+4.30 (2.20-9.50)	7.70	2120 (390-3120)	9.73	9.31	8.92	3.63	A
	2.5+5.0	7.5	2.40+4.70 (2.00-7.50)	6.80	2060 (380-2980)	9.46	9.05	8.67	3.30	A	2.92+5.58 (2.20-9.50)	8.50	2350 (390-3120)	10.79	10.32	9.89	3.62	A
	3.5+3.5	7.0	3.50+3.50 (2.00-7.40)	6.80	2060 (380-2940)	9.46	9.05	8.67	3.30	A	4.25+4.25 (2.20-9.50)	8.50	2350 (390-3120)	10.79	10.32	9.89	3.62	A
3.5+5.0	8.5	2.90+4.20 (2.00-7.50)	6.80	2060 (380-2890)	9.46	9.05	8.67	3.30	A	3.38+5.12 (2.20-9.50)	8.50	2350 (390-3120)	10.79	10.32	9.89	3.62	A	
5.0+5.0	10.0	3.55+3.55 (2.00-8.00)	6.80	2060 (380-3170)	9.46	9.05	8.67	3.30	A	4.25+4.25 (2.20-9.50)	8.50	2350 (390-3120)	10.79	10.32	9.89	3.62	A	

POSSIBLE COMBINATIONS TO OPERATE	COOLING										HEATING										
	TOTAL (kW)	CAPACITY RATING (kW) (RANGE)			OUTDOOR UNIT						EER	Class	CAPACITY RATING (kW) (RANGE)			OUTDOOR UNIT					
					TOTAL INPUT (W)	AMPERE(A)			COP	Class						TOTAL INPUT (W)	AMPERE(A) at 220V-240V				
		220V	230V	240V		220V	230V	240V													
THREE UNITS	1.5+1.5+1.5	4.5	1.50+1.50+1.50 (2.20-5.00)			4.50	1400 (420-1680)	6.43	6.15	5.89	3.21	A	2.00+2.00+2.00 (2.40-6.50)	6.00	1650 (430-1800)	7.58	7.25	6.94	3.64	A	
	1.5+1.5+1.8	4.8	1.50+1.50+1.80 (2.20-5.50)			4.80	1480 (240-1880)	6.80	6.50	6.23	3.24	A	2.00+2.00+2.50 (2.40-7.00)	6.50	1750 (430-2100)	8.03	7.69	7.37	3.71	A	
	1.5+1.5+2.5	5.5	1.50+1.50+2.50 (2.20-6.00)			5.50	1680 (420-2280)	7.71	7.38	7.07	3.27	A	2.00+2.00+3.40 (2.20-9.30)	7.40	2010 (430-2200)	9.23	8.83	8.46	3.68	A	
	1.5+1.5+3.5	6.5	1.50+1.50+3.50 (2.20-7.00)			6.50	2010 (420-2480)	9.23	8.83	8.46	3.23	A	2.00+2.00+4.30 (2.40-9.50)	8.30	2260 (430-2500)	10.38	9.93	9.51	3.67	A	
	1.5+1.5+5.0	8.0	1.28+1.28+4.25 (2.20-7.50)			6.80	2100 (420-2890)	9.64	9.22	8.84	3.24	A	1.62+1.62+5.26 (2.40-9.50)	8.50	2300 (430-2600)	10.56	10.10	9.68	3.70	A	
	1.5+1.8+1.8	5.1	1.50+1.80+1.80 (2.20-5.60)			5.10	1550 (420-2280)	7.12	6.81	6.52	3.29	A	2.00+2.50+2.50 (2.20-9.30)	7.00	1900 (430-2400)	8.72	8.34	8.00	3.68	A	
	1.5+1.8+2.5	5.8	1.50+1.80+2.50 (2.20-6.30)			5.80	1800 (420-2480)	8.26	7.91	7.58	3.22	A	2.00+2.50+3.40 (2.40-9.50)	7.90	2150 (430-2600)	9.87	9.44	9.05	3.67	A	
	1.5+1.8+3.5	6.8	1.50+1.80+3.50 (2.20-7.50)			6.80	2100 (420-2480)	9.64	9.22	8.84	3.24	A	1.93+2.41+4.15 (2.40-9.50)	8.50	2290 (430-2600)	10.51	10.06	9.64	3.71	A	
	1.5+1.8+5.0	8.3	1.23+1.47+4.10 (2.20-7.50)			6.80	2100 (420-2890)	9.64	9.22	8.84	3.24	A	1.55+1.93+5.02 (2.40-9.50)	8.50	2290 (430-2600)	10.51	10.06	9.64	3.71	A	
	1.5+2.5+2.5	6.5	1.50+2.50+2.50 (1.50-7.00)			6.50	2020 (420-2480)	9.27	8.87	8.50	3.22	A	1.93+3.28+3.28 (2.40-9.50)	8.50	2290 (430-2600)	10.51	10.06	9.64	3.71	A	
	1.5+2.5+3.5	7.5	1.36+2.27+3.17 (2.20-7.80)			6.80	2100 (420-2890)	9.64	9.22	8.84	3.24	A	1.75+2.98+3.77 (2.40-9.50)	8.50	2290 (430-2600)	10.51	10.06	9.64	3.71	A	
	1.5+2.5+5.0	9.0	1.13+1.89+3.78 (2.20-8.00)			6.80	2100 (420-2960)	9.64	9.22	8.84	3.24	A	1.43+2.43+4.64 (2.40-9.50)	8.50	2310 (430-2600)	10.61	10.14	9.72	3.68	A	
	1.5+3.5+3.5	8.5	1.20+2.80+2.80 (2.20-8.00)			6.80	2100 (420-2890)	9.64	9.22	8.84	3.24	A	1.60+3.45+3.45 (2.40-9.50)	8.50	2310 (430-2600)	10.61	10.14	9.72	3.68	A	
	1.5+3.5+5.0	10.0	1.02+2.38+3.40 (2.20-8.00)			6.80	2100 (420-2960)	9.64	9.22	8.84	3.24	A	1.33+2.86+4.32 (2.40-9.50)	8.50	2310 (430-2600)	10.61	10.14	9.72	3.68	A	
	1.8+1.8+1.8	5.4	1.80+1.80+1.80 (2.20-5.90)			5.40	1450 (420-2190)	6.66	6.37	6.10	3.72	A	2.50+2.50+2.50 (2.40-9.50)	7.50	2050 (430-2600)	9.41	9.00	8.63	3.66	A	
	1.8+1.8+2.5	6.1	1.80+1.80+2.50 (2.20-6.70)			6.10	1720 (420-2480)	7.90	7.55	7.24	3.55	A	2.50+2.50+3.40 (2.40-9.50)	8.40	2290 (430-2600)	10.51	10.06	9.64	3.67	A	
	1.8+1.8+3.5	7.1	1.72+1.72+3.35 (2.20-7.80)			6.80	2080 (420-2890)	9.55	9.13	8.75	3.27	A	2.28+2.28+3.93 (2.40-9.50)	8.50	2290 (430-2600)	10.51	10.06	9.64	3.71	A	
	1.8+1.8+5.0	8.6	1.42+1.42+3.95 (2.20-8.00)			6.80	2080 (420-2960)	9.55	9.13	8.75	3.27	A	1.85+1.85+4.80 (2.40-9.50)	8.50	2280 (430-2600)	10.47	10.01	9.60	3.73	A	
	1.8+2.5+2.5	6.8	1.80+2.50+2.50 (2.20-7.50)			6.80	2080 (420-2780)	9.55	9.13	8.75	3.27	A	2.28+3.11+3.11 (2.40-9.50)	8.50	2290 (430-2600)	10.51	10.06	9.64	3.71	A	
	1.8+2.5+3.5	7.8	1.57+2.18+3.05 (2.20-8.00)			6.80	2080 (420-2960)	9.55	9.13	8.75	3.27	A	2.08+2.83+3.58 (2.40-9.50)	8.50	2290 (430-2600)	10.51	10.06	9.64	3.71	A	
1.8+2.5+5.0	9.3	1.32+1.83+3.66 (2.20-8.00)			6.80	2080 (440-2770)	9.55	9.13	8.75	3.27	A	1.71+2.33+4.46 (2.40-9.50)	8.50	2280 (430-2600)	10.47	10.01	9.60	3.73	A		

POSSIBLE COMBINATIONS TO OPERATE	COOLING										HEATING							
	TOTAL (kW)	CAPACITY RATING (kW) (RANGE)	TOTAL	OUTDOOR UNIT			EER	Class	CAPACITY RATING (kW) (RANGE)	TOTAL	OUTDOOR UNIT			COP	Class			
				TOTAL INPUT (W)	AMPERE(A)						TOTAL INPUT (W)	AMPERE(A) at 220V-240V						
					220V	230V						240V	220V			230V	240V	
THREE UNITS	1.8+3.5+3.5	8.8	1.39+2.70+2.70 (2.20-8.00)	6.80	2080 (420-2960)	9.55	9.13	8.75	3.27	A	1.91+3.29+3.29 (2.40-9.50)	8.50	2290 (430-2600)	10.51	10.06	9.64	3.71	A
	1.8+3.5+5.0	10.3	1.19+2.31+3.30 (2.20-8.00)	6.80	2080 (420-2960)	9.55	9.13	8.75	3.27	A	1.60+2.75+4.15 (2.40-9.50)	8.50	2280 (430-2600)	10.47	10.01	9.60	3.73	A
	2.5+2.5+2.5	7.5	2.27+2.27+2.27 (2.20-7.80)	6.80	2080 (420-2890)	9.55	9.13	8.75	3.27	A	2.83+2.83+2.83 (2.40-9.50)	8.50	2290 (430-2600)	10.51	10.06	9.64	3.71	A
	2.5+2.5+3.5	8.5	2.00+2.00+2.80 (2.20-8.00)	6.80	2080 (420-2960)	9.55	9.13	8.75	3.27	A	2.60+2.60+3.29 (2.40-9.50)	8.50	2290 (430-2600)	10.51	10.06	9.64	3.71	A
	2.5+2.5+5.0	10.0	1.70+1.70+3.40 (2.20-8.00)	6.80	2080 (420-2960)	9.55	9.13	8.75	3.27	A	2.17+2.17+4.15 (2.40-9.50)	8.50	2280 (430-2600)	10.47	10.01	9.60	3.73	A
	2.5+3.5+3.5	9.5	1.79+2.51+2.51 (2.20-8.00)	6.80	2080 (420-2960)	9.55	9.13	8.75	3.27	A	2.41+3.05+3.05 (2.40-9.50)	8.50	2290 (430-2600)	10.51	10.06	9.64	3.71	A
	2.5+3.5+5.0	11.0	1.55+2.16+3.09 (2.20-8.00)	6.80	2080 (420-2960)	9.55	9.13	8.75	3.27	A	2.04+2.57+3.89 (2.40-9.50)	8.50	2280 (430-2600)	10.47	10.01	9.60	3.73	A
	3.5+3.5+3.5	10.5	2.27+2.27+2.27 (2.20-8.00)	6.80	2080 (420-2960)	9.55	9.13	8.75	3.27	A	2.83+2.83+2.83 (2.40-9.50)	8.50	2280 (430-2600)	10.47	10.01	9.60	3.73	A

Indoor unit model	Nominal cooling capacity (kW)	Capacity (kW) at single unit operation		Suitable room size (m <sup>2</sup> ) At single unit operation	
		Cooling	Heating	Cooling	Heating
RAK-18QXB	1.8	1.00-2.00	1.10-3.20	8-12	9-11
RAK-25RXB	2.5	1.00-2.80	1.10-4.70	11-17	14-18
RAK-35RXB	3.5	1.00-3.90	1.10-5.80	16-24	17-22
RAK-50RXB	5.0	1.00-5.50	1.10-7.20	23-34	23-29
RAK-15QPB	1.5	1.00-2.20	1.10-2.20	8-12	9-11
RAK-18RPB	1.8	1.00-2.00	1.10-3.20	8-12	9-11
RAK-25RPB	2.5	1.00-2.80	1.10-4.70	11-17	14-18
RAK-35RPB	3.5	1.00-3.90	1.10-5.80	16-24	17-22
RAK-50RPB	5.0	1.00-5.50	1.10-7.20	23-34	23-29
RAF-25RXB	2.5	1.50-2.80	1.80-4.70	11-17	14-18
RAF-35RXB	3.5	1.50-3.90	1.80-5.80	16-24	17-22
RAF-50RXB	5.0	1.50-5.60	1.80-7.20	23-34	23-29
RAI-25QPB	2.5	1.00-2.80	1.10-4.70	11-17	14-18
RAI-35QPB	3.5	1.00-3.90	1.10-5.80	16-24	17-22
RAI-50QPB	5.0	1.00-5.50	1.10-7.20	23-34	23-29
RAD-18QPB	1.8	1.00-2.00	1.10-3.20	8-12	9-11
RAD-25QPB	2.5	1.00-2.80	1.10-4.70	11-17	14-18
RAD-35QPB	3.5	1.00-3.90	1.10-5.80	16-24	17-22
RAD-50QPB	5.0	1.00-5.50	1.10-7.20	23-34	23-29

\*Two units must be connected to the outdoor unit to avoid water condensation and result in water splash.

\*One-unit values are for one unit operation with two indoor connected.

\*Total nominal cooling capacity should not be more than 11kW

3.5.6. RAM-70NP4B

Whichever indoor units are installed, cooling and heating capacity depends on how many and which indoor units are operating at the same time.

POSSIBLE COMBINATIONS TO OPERATE	COOLING										HEATING							
	TOTAL (kW)	CAPACITY RATING (kW) (RANGE)			OUTDOOR UNIT			EER	Class	CAPACITY RATING (kW) (RANGE)		OUTDOOR UNIT			COP	Class		
					TOTAL INPUT (W)	AMPERE(A)						TOTAL INPUT (W)	AMPERE(A) at 220V-240V					
		TOTAL	220V	230V		240V	TOTAL			220V	230V		240V					
ONE UNIT	1.5	1.5	1.50	1.50	400	1.84	1.76	1.68	3.75	A	2.00	2.00	560	2.57	2.46	2.36	3.57	B
			(1.00-1.60)		(200-480)						(1.10-2.20)		(320-850)					
	1.8	1.8	1.80	1.80	450	2.07	1.98	1.89	4.00	A	2.50	2.50	720	3.31	3.16	3.03	3.47	B
			(1.50-2.00)		(280-500)						(1.80-3.50)		(320-1130)					
	2.5	2.5	2.50	2.50	650	2.98	2.85	2.74	3.85	A	3.40	3.40	980	4.50	4.30	4.12	3.47	B
		(1.50-2.80)		(280-720)						(1.80-4.70)		(320-1480)						
3.5	3.5	3.50	3.50	1030	4.73	4.52	4.34	3.40	A	4.30	4.30	1150	5.28	5.05	4.84	3.74	A	
		(1.50-3.90)		(280-1130)						(1.80-5.80)		(320-1950)						
5.0	5.0	5.00	5.00	1450	6.66	6.37	6.10	3.45	A	6.50	6.50	2030	9.32	8.92	8.54	3.20	C	
		(1.50-5.60)		(280-1800)						(1.80-7.20)		(320-2530)						
TWO UNITS	1.5+1.5	3.0	1.50+1.50	3.00	870	3.99	3.82	3.66	3.45	A	2.00+2.00	4.00	1080	4.96	4.74	4.55	3.70	A
			(1.50-2.80)		(380-980)						(2.20-4.70)		(200-1100)					
	1.5+1.8	3.3	1.50+1.80	3.30	950	4.36	4.17	4.00	3.47	A	2.00+2.50	4.50	1200	5.51	5.27	5.05	3.75	A
			(1.50-3.50)		(380-1000)						(2.20-5.20)		(200-1300)					
	1.5+2.5	4.0	1.50+2.50	4.00	1150	5.28	5.05	4.84	3.48	A	2.00+3.40	5.40	1450	6.66	6.37	6.10	3.72	A
			(1.50-4.00)		(380-1300)						(2.20-6.40)		(200-1780)					
	1.5+3.5	5.0	1.50+3.50	5.00	1450	6.66	6.37	6.10	3.45	A	2.00+4.30	6.30	1660	7.62	7.29	6.99	3.80	A
			(1.50-5.20)		(380-1450)						(2.20-7.20)		(200-2010)					
	1.5+5.0	6.5	1.50+5.00	6.50	1950	8.95	8.56	8.21	3.33	A	2.00+6.50	8.50	2200	10.10	9.66	9.26	3.86	A
			(1.50-5.90)		(380-2380)						(2.20-7.20)		(390-3120)					
	1.8+1.8	3.6	1.80+1.80	3.60	1020	4.68	4.48	4.29	3.53	A	2.50+2.50	5.00	1380	6.34	6.06	5.81	3.62	A
			(2.00-4.00)		(380-1020)						(2.20-6.40)		(390-2750)					
	1.8+2.5	4.3	1.80+2.50	4.30	1120	5.14	4.92	4.71	3.84	A	2.50+3.40	5.90	1610	7.39	7.07	6.78	3.66	A
			(2.00-4.70)		(380-1360)						(2.20-7.20)		(390-3000)					
1.8+3.5	5.3	1.80+3.50	5.30	1600	7.35	7.03	6.73	3.31	A	2.50+4.30	6.80	1850	8.49	8.12	7.79	3.68	A	
		(2.00-5.80)		(380-1950)						(2.20-7.20)		(390-3120)						
1.8+5.0	6.8	1.80+5.00	6.80	2050	9.41	9.00	8.63	3.32	A	2.36+6.14	8.50	2350	10.79	10.32	9.89	3.62	A	
		(2.00-7.10)		(380-2820)						(2.20-9.50)		(390-3120)						
2.5+2.5	5.0	2.50+2.50	5.00	1410	6.47	6.19	5.93	3.55	A	3.40+3.40	6.80	1850	8.49	8.12	7.79	3.68	A	
		(2.00-5.50)		(380-1720)						(2.20-9.50)		(390-3120)						
2.5+3.5	6.0	2.50+3.50	6.00	1850	8.49	8.12	7.79	3.24	A	3.60+4.30	7.70	2120	9.73	9.31	8.92	3.63	A	
		(2.00-6.60)		(380-2380)						(2.20-9.50)		(390-3120)						
2.5+5.0	7.5	2.33+4.67	7.00	2060	9.46	9.05	8.67	3.40	A	2.92+5.58	8.50	2350	10.79	10.32	9.89	3.62	A	
		(2.00-7.50)		(380-2980)						(2.20-9.50)		(390-3120)						
3.5+3.5	7.0	3.50+3.50	7.00	2060	9.46	9.05	8.67	3.40	A	4.25+4.25	8.50	2350	10.79	10.32	9.89	3.62	A	
		(2.00-7.40)		(380-2940)						(2.20-9.50)		(390-3120)						
3.5+5.0	8.5	2.88+4.12	7.00	2060	9.46	9.05	8.67	3.40	A	3.38+5.12	8.50	2350	10.79	10.32	9.89	3.62	A	
		(2.00-7.50)		(380-2890)						(2.20-9.50)		(390-3120)						
5.0+5.0	10.0	3.50+3.50	7.00	2060	9.46	9.05	8.67	3.40	A	4.25+4.25	8.50	2350	10.79	10.32	9.89	3.62	A	
		(2.00-8.00)		(380-3170)						(2.20-9.50)		(390-3120)						



POSSIBLE COMBINATIONS TO OPERATE	COOLING										HEATING							
	TOTAL (kW)	CAPACITY RATING (kW) (RANGE)	TOTAL	OUTDOOR UNIT			EER	Class	CAPACITY RATING (kW) (RANGE)	TOTAL	OUTDOOR UNIT			COP	Class			
				TOTAL INPUT (W)	AMPERE(A)						TOTAL INPUT (W)	AMPERE(A) at 220V-240V						
					220V	230V						240V	220V			230V	240V	
THREE UNITS	1.5+1.5+1.5	4.5	1.50+1.50+1.50 (2.20-5.00)	4.50	1400 (420-1680)	6.43	6.15	5.89	3.21	A	2.00+2.00+2.00 (2.40-6.50)	6.00	1650 (430-1800)	7.58	7.25	6.94	3.64	A
	1.5+1.5+1.8	4.8	1.50+1.50+1.80 (2.20-5.50)	4.80	1480 (240-1880)	6.80	6.50	6.23	3.24	A	2.00+2.00+2.50 (2.40-7.00)	6.50	1750 (430-2100)	8.03	7.69	7.37	3.71	A
	1.5+1.5+2.5	5.5	1.50+1.50+2.50 (2.20-6.00)	5.50	1680 (420-2280)	7.71	7.38	7.07	3.27	A	2.00+2.00+3.40 (2.20-9.30)	7.40	2010 (430-2200)	9.23	8.83	8.46	3.68	A
	1.5+1.5+3.5	6.5	1.50+1.50+3.50 (2.20-7.00)	6.50	2010 (420-2480)	9.23	8.83	8.46	3.23	A	2.00+2.00+4.30 (2.40-9.50)	8.30	2260 (430-2500)	10.38	9.93	9.51	3.67	A
	1.5+1.5+5.0	8.0	1.31+1.31+4.38 (2.20-7.50)	7.00	2100 (420-2890)	9.64	9.22	8.84	3.33	A	1.62+1.62+5.26 (2.40-9.50)	8.50	2300 (430-2600)	10.56	10.10	9.68	3.70	A
	1.5+1.8+1.8	5.1	1.50+1.80+1.80 (2.20-5.60)	5.10	1550 (420-2280)	7.12	6.81	6.52	3.29	A	2.00+2.50+2.50 (2.20-9.30)	7.00	1900 (430-2400)	8.72	8.34	8.00	3.68	A
	1.5+1.8+2.5	5.8	1.50+1.80+2.50 (2.20-6.30)	5.80	1800 (420-2480)	8.26	7.91	7.58	3.22	A	2.00+2.50+3.40 (2.40-9.50)	7.90	2150 (430-2600)	9.87	9.44	9.05	3.67	A
	1.5+1.8+3.5	6.8	1.50+1.80+3.50 (2.20-7.50)	6.80	2100 (420-2480)	9.64	9.22	8.84	3.24	A	1.93+2.41+4.15 (2.40-9.50)	8.50	2290 (430-2600)	10.51	10.06	9.64	3.71	A
	1.5+1.8+5.0	8.3	1.27+1.52+4.22 (2.20-7.50)	7.00	2100 (420-2890)	9.64	9.22	8.84	3.33	A	1.55+1.93+5.02 (2.40-9.50)	8.50	2290 (430-2600)	10.51	10.06	9.64	3.71	A
	1.5+2.5+2.5	6.5	1.50+2.50+2.50 (2.20-7.00)	6.50	2020 (420-2480)	9.27	8.87	8.50	3.22	A	1.93+3.28+3.28 (2.40-9.50)	8.50	2290 (430-2600)	10.51	10.06	9.64	3.71	A
	1.5+2.5+3.5	7.5	1.40+2.33+3.27 (2.20-7.80)	7.00	2100 (420-2890)	9.64	9.22	8.84	3.33	A	1.75+2.98+3.77 (2.40-9.50)	8.50	2290 (430-2600)	10.51	10.06	9.64	3.71	A
	1.5+2.5+5.0	9.0	1.17+1.94+3.89 (2.20-8.00)	7.00	2100 (420-2960)	9.64	9.22	8.84	3.33	A	1.43+2.43+4.64 (2.40-9.50)	8.50	2310 (430-2600)	10.61	10.14	9.72	3.68	A
	1.5+3.5+3.5	8.5	1.24+2.88+2.88 (2.20-8.00)	7.00	2100 (420-2890)	9.64	9.22	8.84	3.33	A	1.60+3.45+3.45 (2.40-9.50)	8.50	2310 (430-2600)	10.61	10.14	9.72	3.68	A
	1.5+3.5+5.0	10.0	1.05+2.45+3.50 (2.20-8.00)	7.00	2100 (420-2960)	9.64	9.22	8.84	3.33	A	1.33+2.86+4.32 (2.40-9.50)	8.50	2310 (430-2600)	10.61	10.14	9.72	3.68	A
	1.8+1.8+1.8	5.4	1.80+1.80+1.80 (2.20-5.90)	5.40	1450 (420-2190)	6.66	6.37	6.10	3.72	A	2.50+2.50+2.50 (2.40-9.50)	7.50	2050 (430-2600)	9.41	9.00	8.63	3.66	A
	1.8+1.8+2.5	6.1	1.80+1.80+2.50 (2.20-6.70)	6.10	1720 (420-2480)	7.90	7.55	7.24	3.55	A	2.50+2.50+3.40 (2.40-9.50)	8.40	2290 (430-2600)	10.51	10.06	9.64	3.67	A
	1.8+1.8+3.5	7.1	1.77+1.77+3.45 (2.20-7.80)	7.00	2080 (420-2890)	9.55	9.13	8.75	3.37	A	2.28+2.28+3.93 (2.40-9.50)	8.50	2290 (430-2600)	10.51	10.06	9.64	3.71	A
	1.8+1.8+5.0	8.6	1.47+1.47+4.07 (2.20-8.00)	7.00	2080 (420-2890)	9.55	9.13	8.75	3.37	A	1.85+1.85+4.80 (2.40-9.50)	8.50	2280 (430-2600)	10.47	10.01	9.60	3.73	A
	1.8+2.5+2.5	6.8	1.80+2.50+2.50 (2.20-7.50)	6.80	2080 (420-2780)	9.55	9.13	8.75	3.27	A	2.28+3.11+3.11 (2.40-9.50)	8.50	2290 (430-2600)	10.51	10.06	9.64	3.71	A
	1.8+2.5+3.5	7.8	1.62+2.24+3.14 (2.20-8.00)	7.00	2080 (420-2890)	9.55	9.13	8.75	3.37	A	2.08+2.83+3.58 (2.40-9.50)	8.50	2290 (430-2600)	10.51	10.06	9.64	3.71	A
1.8+2.5+5.0	9.3	1.35+1.88+3.76 (2.20-8.00)	7.00	2080 (420-2770)	9.55	9.13	8.75	3.37	A	1.71+2.33+4.46 (2.40-9.50)	8.50	2280 (430-2600)	10.47	10.01	9.60	3.73	A	

POSSIBLE COMBINATIONS TO OPERATE	COOLING										HEATING									
	TOTAL (kW)	CAPACITY RATING (kW) (RANGE)			OUTDOOR UNIT					EER	Class	CAPACITY RATING (kW) (RANGE)			OUTDOOR UNIT				COP	Class
					TOTAL INPUT (W)	AMPERE(A)			TOTAL INPUT (W)						AMPERE(A) at 220V-240V					
		220V	230V	240V		220V	230V	240V												
THREE UNITS	1.8+3.5+3.5	8.8	1.43+2.78+2.78 (2.20-8.00)	7.00	2080 (420-2960)	9.55	9.13	8.75	3.37	A	1.91+3.29+3.29 (2.40-9.50)	8.50	2290 (430-2600)	10.51	10.06	9.64	3.71	A		
	1.8+3.5+5.0	10.3	1.22+2.38+3.40 (2.20-8.00)	7.00	2080 (420-2960)	9.55	9.13	8.75	3.37	A	1.60+2.75+4.15 (2.40-9.50)	8.50	2280 (430-2600)	10.47	10.01	9.60	3.73	A		
	2.5+2.5+2.5	7.5	2.33+2.33+2.33 (2.20-7.80)	7.00	2080 (420-2890)	9.55	9.13	8.75	3.37	A	2.83+2.83+2.83 (2.40-9.50)	8.50	2290 (430-2600)	10.51	10.06	9.64	3.71	A		
	2.5+2.5+3.5	8.5	2.06+2.06+2.88 (2.20-8.00)	7.00	2080 (420-2960)	9.55	9.13	8.75	3.37	A	2.60+2.60+3.29 (2.40-9.50)	8.50	2290 (430-2600)	10.51	10.06	9.64	3.71	A		
	2.5+2.5+5.0	10.0	1.75+1.75+3.50 (2.20-8.00)	7.00	2080 (420-2960)	9.55	9.13	8.75	3.37	A	2.17+2.17+4.15 (2.40-9.50)	8.50	2280 (430-2600)	10.47	10.01	9.60	3.73	A		
	2.5+3.5+3.5	9.5	1.84+2.58+2.58 (2.20-8.00)	7.00	2080 (420-2960)	9.55	9.13	8.75	3.37	A	2.41+3.05+3.05 (2.40-9.50)	8.50	2290 (430-2600)	10.51	10.06	9.64	3.71	A		
	2.5+3.5+5.0	11.0	1.59+2.23+3.18 (2.20-8.00)	7.00	2080 (420-2960)	9.55	9.13	8.75	3.37	A	2.04+2.57+3.89 (2.40-9.50)	8.50	2280 (430-2600)	10.47	10.01	9.60	3.73	A		
	3.5+3.5+3.5	10.5	2.33+2.33+2.33 (2.20-8.00)	7.00	2080 (420-2960)	9.55	9.13	8.75	3.37	A	2.83+2.83+2.83 (2.40-9.50)	8.50	2280 (430-2600)	10.47	10.01	9.60	3.73	A		
FOUR UNITS	1.5+1.5+1.5+1.5	6.0	1.50+1.50+1.50+1.50 (2.20-6.50)	6.00	1600 (200-1660)	7.35	7.03	6.73	3.75	A	2.00+2.00+2.00+2.00 (2.60-9.00)	8.00	2150 (460-2420)	9.87	9.44	9.05	3.72	A		
	1.5+1.5+1.5+1.8	6.3	1.50+1.50+1.50+1.80 (2.20-6.70)	6.30	1650 (420-2010)	7.58	7.25	6.94	3.82	A	2.00+2.00+2.00+2.50 (2.60-9.50)	8.50	2180 (460-2520)	10.01	9.57	9.18	3.90	A		
	1.5+1.5+1.5+2.5	7.0	1.50+1.50+1.50+2.50 (2.20-7.50)	7.00	1890 (420-2010)	8.68	8.30	7.95	3.70	A	1.81+1.81+1.81+3.07 (2.60-9.50)	8.50	2200 (480-2580)	10.10	9.66	9.26	3.86	A		
	1.5+1.5+1.5+3.5	8.0	1.31+1.31+1.31+3.06 (2.40-7.90)	7.00	2140 (450-2650)	9.83	9.40	9.01	3.27	A	1.65+1.65+1.65+3.55 (2.60-9.50)	8.50	2200 (480-2580)	10.10	9.66	9.26	3.86	A		
	1.5+1.5+1.5+5.0	9.5	1.11+1.11+1.11+3.68 (2.40-8.50)	7.00	2140 (450-2650)	9.83	9.40	9.01	3.27	A	1.36+1.36+1.36+4.42 (2.60-9.50)	8.50	2200 (480-2580)	10.10	9.66	9.26	3.86	A		
	1.5+1.5+1.8+1.8	6.6	1.50+1.50+1.80+1.80 (2.20-7.00)	6.60	1850 (420-2010)	8.49	8.12	7.79	3.57	A	1.89+1.89+2.36+2.36 (2.60-9.50)	8.50	2200 (480-2580)	10.10	9.66	9.26	3.86	A		
	1.5+1.5+1.8+2.5	7.3	1.44+1.44+1.73+2.40 (2.40-7.50)	7.00	2010 (420-2310)	9.23	8.83	8.46	3.48	A	1.72+1.72+2.15+2.92 (2.60-9.50)	8.50	2200 (480-2580)	10.10	9.66	9.26	3.86	A		
	1.5+1.5+1.8+3.5	8.3	1.27+1.27+1.52+2.95 (2.40-7.70)	7.00	2140 (450-2650)	9.83	9.40	9.01	3.27	A	1.57+1.57+1.97+3.38 (2.60-9.50)	8.50	2200 (480-2580)	10.10	9.66	9.26	3.86	A		
	1.5+1.5+1.8+5.0	9.8	1.07+1.07+1.29+3.57 (2.40-7.70)	7.00	2140 (450-2650)	9.83	9.40	9.01	3.27	A	1.31+1.31+1.63+4.25 (2.60-9.50)	8.50	2200 (480-2580)	10.10	9.66	9.26	3.86	A		
	1.5+1.5+2.5+2.5	8.0	1.31+1.31+2.19+2.19 (2.40-7.90)	7.00	2140 (450-2650)	9.83	9.40	9.01	3.27	A	1.57+1.57+2.68+2.68 (2.60-9.50)	8.50	2200 (480-2580)	10.10	9.66	9.26	3.86	A		
	1.5+1.5+2.5+3.5	9.0	1.17+1.17+1.94+2.72 (2.40-7.90)	7.00	2140 (450-2650)	9.83	9.40	9.01	3.27	A	1.45+1.45+2.47+3.12 (2.60-9.50)	8.50	2200 (480-2580)	10.10	9.66	9.26	3.86	A		
	1.5+1.5+2.5+5.0	10.5	1.00+1.00+1.67+3.33 (2.40-8.50)	7.00	2140 (450-2650)	9.83	9.40	9.01	3.27	A	1.22+1.22+2.08+3.97 (2.60-9.50)	8.50	2180 (460-2520)	10.01	9.57	9.18	3.90	A		
	1.5+1.5+3.5+3.5	10.0	1.05+1.05+2.45+2.45 (2.40-8.50)	7.00	2140 (450-2650)	9.83	9.40	9.01	3.27	A	1.35+1.35+2.90+2.90 (2.60-9.50)	8.50	2200 (480-2580)	10.10	9.66	9.26	3.86	A		
1.5+1.5+3.5+5.0	11.5	0.91+0.91+2.13+3.04 (2.40-8.80)	7.00	2140 (450-3020)	9.83	9.40	9.01	3.27	A	1.15+1.15+2.47+3.73 (2.60-9.50)	8.50	2180 (460-2520)	10.01	9.57	9.18	3.90	A			

POSSIBLE COMBINATIONS TO OPERATE	COOLING										HEATING							
	TOTAL (kW)	CAPACITY RATING(kW) (RANGE)	TOTAL	OUTDOOR UNIT			EER	Class	CAPACITY RATING(kW) (RANGE)	TOTAL	OUTDOOR UNIT			COP	Class			
				TOTAL INPUT (W)	AMPERE (A)						TOTAL INPUT (W)	AMPERE (A)						
					220V	230V						240V	220V			230V	240V	
FOUR UNITS	1.5+1.8+1.8+1.8	6.9	1.50+1.80+1.80+1.80 (2.40-7.50)	6.90	2010 (420-2310)	9.23	8.83	8.46	3.43	A	1.79+2.24+2.24+2.24 (2.60-9.50)	8.50	2200 (480-2580)	10.10	9.66	9.26	3.86	A
	1.5+1.8+1.8+2.5	7.6	1.38+1.66+1.66+2.30 (2.40-7.90)	7.00	2140 (450-2650)	9.83	9.40	9.01	3.27	A	1.63+2.04+2.04+2.78 (2.60-9.50)	8.50	2200 (480-2580)	10.10	9.66	9.26	3.86	A
	1.5+1.8+1.8+3.5	8.6	1.22+1.47+1.47+2.85 (2.40-7.90)	7.00	2140 (450-2650)	9.83	9.40	9.01	3.27	A	1.50+1.88+1.88+3.23 (2.60-9.50)	8.50	2200 (480-2580)	10.10	9.66	9.26	3.86	A
	1.5+1.8+1.8+5.0	10.1	1.04+1.25+1.25+3.47 (2.40-8.80)	7.00	2140 (450-2650)	9.83	9.40	9.01	3.27	A	1.26+1.57+1.57+4.09 (2.60-9.50)	8.50	2180 (460-2520)	10.01	9.57	9.18	3.90	A
	1.5+1.8+2.5+2.5	8.3	1.27+1.52+2.11+2.11 (2.40-7.90)	7.00	2140 (450-2650)	9.83	9.40	9.01	3.27	A	1.50+1.88+2.56+2.56 (2.60-9.50)	8.50	2200 (480-2580)	10.10	9.66	9.26	3.86	A
	1.5+1.8+2.5+3.5	9.3	1.13+1.35+1.88+2.63 (2.40-7.90)	7.00	2140 (450-2650)	9.83	9.40	9.01	3.27	A	1.39+1.74+2.37+3.00 (2.60-9.50)	8.50	2200 (480-2580)	10.10	9.66	9.26	3.86	A
	1.5+1.8+2.5+5.0	10.8	0.97+1.17+1.62+3.24 (2.40-8.80)	7.00	2140 (450-3020)	9.83	9.40	9.01	3.27	A	1.18+1.48+2.01+3.84 (2.60-9.50)	8.50	2180 (460-2520)	10.01	9.57	9.18	3.90	A
	1.5+1.8+3.5+3.5	10.3	1.02+1.22+2.38+2.38 (2.40-7.90)	7.00	2140 (450-3020)	9.83	9.40	9.01	3.27	A	1.30+1.62+2.79+2.79 (2.60-9.50)	8.50	2200 (480-2580)	10.10	9.66	9.26	3.86	A
	1.5+2.5+2.5+2.5	9.0	1.17+1.94+1.94+1.94 (2.40-7.90)	7.00	2140 (450-2650)	9.83	9.40	9.01	3.27	A	1.39+2.37+2.37+2.37 (2.60-9.50)	8.50	2200 (480-2580)	10.10	9.66	9.26	3.86	A
	1.5+2.5+2.5+3.5	10.0	1.05+1.75+1.75+2.45 (2.40-8.80)	7.00	2140 (450-2650)	9.83	9.40	9.01	3.27	A	1.30+2.21+2.21+2.79 (2.60-9.50)	8.50	2200 (480-2580)	10.10	9.66	9.26	3.86	A
	1.5+2.5+3.5+3.5	11.0	0.95+1.59+2.23+2.23 (2.40-8.80)	7.00	2140 (450-3020)	9.83	9.40	9.01	3.27	A	1.21+2.06+2.61+2.61 (2.60-9.50)	8.50	2180 (460-2520)	10.01	9.57	9.18	3.90	A
	1.8+1.8+1.8+1.8	7.2	1.75+1.75+1.75+1.75 (2.40-7.90)	7.00	2110 (450-2870)	9.69	9.27	8.88	3.32	A	2.13+2.13+2.13+2.13 (2.60-9.50)	8.50	2120 (480-2580)	9.73	9.31	8.92	4.01	A
	1.8+1.8+1.8+2.5	7.9	1.59+1.59+1.59+2.22 (2.40-7.90)	7.00	2110 (450-3020)	9.69	9.27	8.88	3.32	A	1.95+1.95+1.95+2.65 (2.60-9.50)	8.50	2120 (480-2580)	9.73	9.31	8.92	4.01	A
	1.8+1.8+1.8+3.5	8.9	1.42+1.42+1.42+2.75 (2.40-8.50)	7.00	2110 (450-3090)	9.69	9.27	8.88	3.32	A	1.80+1.80+1.80+3.10 (2.60-9.50)	8.50	2120 (460-2520)	9.73	9.31	8.92	4.01	A
	1.8+1.8+1.8+5.0	10.4	1.21+1.21+1.21+3.37 (2.40-8.80)	7.00	2110 (450-3200)	9.69	9.27	8.88	3.32	A	1.52+1.52+1.52+3.95 (2.60-9.50)	8.50	2110 (460-2520)	9.69	9.27	8.88	4.03	A
	1.8+1.8+2.5+2.5	8.6	1.47+1.47+2.03+2.03 (2.40-8.50)	7.00	2110 (450-3090)	9.69	9.27	8.88	3.32	A	1.80+1.80+2.45+2.45 (2.60-9.50)	8.50	2120 (460-2520)	9.73	9.31	8.92	4.01	A
	1.8+1.8+2.5+3.5	9.6	1.31+1.31+1.82+2.55 (2.40-8.50)	7.00	2110 (450-3090)	9.69	9.27	8.88	3.32	A	1.67+1.67+2.28+2.88 (2.60-9.50)	8.50	2120 (460-2520)	9.73	9.31	8.92	4.01	A
	1.8+1.8+3.5+3.5	10.6	1.19+1.19+2.31+2.31 (2.40-8.80)	7.00	2110 (450-3200)	9.69	9.27	8.88	3.32	A	1.56+1.56+2.69+2.69 (2.60-9.50)	8.50	2110 (460-2520)	9.69	9.27	8.88	4.03	A
	1.8+2.5+2.5+2.5	9.3	1.35+1.88+1.88+1.88 (2.40-8.50)	7.00	2110 (450-3090)	9.69	9.27	8.88	3.32	A	1.67+2.28+2.28+2.28 (2.60-9.50)	8.50	2120 (460-2520)	9.73	9.31	8.92	4.01	A
	1.8+2.5+2.5+3.5	10.3	1.22+1.70+1.70+2.38 (2.40-8.80)	7.00	2110 (450-3200)	9.69	9.27	8.88	3.32	A	1.56+2.13+2.13+2.69 (2.60-9.50)	8.50	2110 (460-2520)	9.69	9.27	8.88	4.03	A
2.5+2.5+2.5+2.5	10.0	1.75+1.75+1.75+1.75 (2.40-8.80)	7.00	2110 (450-3200)	9.69	9.27	8.88	3.32	A	2.13+2.13+2.13+2.13 (2.60-9.50)	8.50	2110 (460-2520)	9.69	9.27	8.88	4.03	A	
2.5+2.5+2.5+3.5	11.0	1.59+1.59+1.59+2.23 (2.40-8.80)	7.00	2110 (450-3200)	9.69	9.27	8.88	3.32	A	1.99+1.99+1.99+2.52 (2.60-9.50)	8.50	2110 (460-2520)	9.69	9.27	8.88	4.03	A	

Indoor unit model	Nominal cooling capacity (kW)	Capacity (kW) at single unit operation		Suitable room size (m <sup>2</sup> ) At single unit operation	
		Cooling	Heating	Cooling	Heating
RAK-18QXB	1.8	1.00-2.00	1.10-3.20	8-12	9-11
RAK-25RXB	2.5	1.00-2.80	1.10-4.70	11-17	14-18
RAK-35RXB	3.5	1.00-3.90	1.10-5.80	16-24	17-22
RAK-50RXB	5.0	1.00-5.50	1.10-7.20	23-34	23-29
RAK-15QPB	1.5	1.00-2.20	1.10-2.20	8-12	9-11
RAK-18RPB	1.8	1.00-2.00	1.10-3.20	8-12	9-11
RAK-25RPB	2.5	1.00-2.80	1.10-4.70	11-17	14-18
RAK-35RPB	3.5	1.00-3.90	1.10-5.80	16-24	17-22
RAK-50RPB	5.0	1.00-5.50	1.10-7.20	23-34	23-29
RAF-25RXB	2.5	1.50-2.80	1.80-4.70	11-17	14-18
RAF-35RXB	3.5	1.50-3.90	1.80-5.80	16-24	17-22
RAF-50RXB	5.0	1.50-5.60	1.80-7.20	23-34	23-29
RAI-25QPB	2.5	1.00-2.80	1.10-4.70	11-17	14-18
RAI-35QPB	3.5	1.00-3.90	1.10-5.80	16-24	17-22
RAI-50QPB	5.0	1.00-5.50	1.10-7.20	23-34	23-29
RAD-18QPB	1.8	1.00-2.00	1.10-3.20	8-12	9-11
RAD-25QPB	2.5	1.00-2.80	1.10-4.70	11-17	14-18
RAD-35QPB	3.5	1.00-3.90	1.10-5.80	16-24	17-22
RAD-50QPB	5.0	1.00-5.50	1.10-7.20	23-34	23-29

\*Two or three indoor units can be installed with one outdoor unit.

\*One-unit values are for one unit operation with two indoor connected.

\*Total nominal cooling capacity should not be more than 11.0kW.

3.5.7. RAM-90NP5B

Whichever indoor units are installed, cooling and heating capacity depends on how many and which indoor units are operating at the same time.

POSSIBLE COMBINATIONS TO OPERATE	COOLING										HEATING						
	TOTAL (kW)	CAPACITY RATING (kW) (RANGE)	TOTAL	OUTDOOR UNIT			EER	Class	CAPACITY RATING (kW) (RANGE)	TOTAL	OUTDOOR UNIT			COP	Class		
				TOTAL INPUT (W)	AMPERE(A)						TOTAL INPUT (W)	AMPERE(A) at 220V-240V					
					220V	230V						240V	220V			230V	240V
ONE UNIT	1.5	1.5 (1.00-1.60)	1.50	420 (320-480)	1.93	1.84	1.77	3.57	A	2.00 (1.50-2.20)	2.00	620 (360-850)	2.85	2.72	2.61	3.23	C
	1.8	1.8 (1.70-2.00)	1.80	500 (320-610)	2.30	2.20	2.10	3.60	A	2.50 (2.00-3.00)	2.50	780 (360-920)	3.58	3.43	3.28	3.21	C
	2.5	2.5 (1.70-2.80)	2.50	700 (320-860)	3.21	3.07	2.95	3.57	A	3.40 (2.00-4.00)	3.40	1140 (360-1340)	5.23	5.01	4.80	2.98	D
	3.5	3.5 (1.70-3.90)	3.50	1040 (320-1270)	4.78	4.57	4.38	3.37	A	4.30 (2.00-5.20)	4.30	1420 (360-1720)	6.52	6.24	5.98	3.03	D
	5.0	5.0 (1.70-5.50)	5.00	1540 (320-1860)	7.07	6.76	6.48	3.25	A	6.50 (2.00-7.30)	6.50	2300 (360-2580)	10.56	10.10	9.68	2.83	D
TWO UNITS	1.5+1.5	3.0 (2.40-3.5)	3.00	850 (450-1020)	3.90	3.73	3.58	3.53	A	2.00+2.00 (2.70-4.5)	4.00	950 (480-1140)	4.36	4.17	4.00	4.21	A
	1.5+1.8	3.3 (2.40-3.8)	3.30	950 (450-1140)	4.36	4.17	4.00	3.47	A	2.00+2.50 (2.70-5)	4.50	1180 (480-1416)	5.42	5.18	4.97	3.81	A
	1.5+2.5	4.0 (2.40-4.5)	4.00	1250 (450-1500)	5.74	5.49	5.26	3.20	A	2.00+3.40 (2.70-5.9)	5.40	1320 (480-1584)	6.06	5.80	5.56	4.09	A
	1.5+3.5	5.0 (2.40-5.5)	5.00	1550 (450-1860)	7.12	6.81	6.52	3.23	A	2.00+4.30 (2.70-6.8)	6.30	1550 (480-1860)	7.12	6.81	6.52	4.06	A
	1.5+5.0	6.5 (2.40-7)	6.50	2100 (450-2520)	9.64	9.22	8.84	3.10	B	2.00+6.50 (2.70-9)	8.50	2300 (480-2760)	10.56	10.10	9.68	3.70	A
	1.8+1.8	3.6 (2.40-4.00)	3.60	820 (450-860)	3.76	3.60	3.45	4.39	A	2.50+2.50 (2.70-6.90)	5.00	1240 (480-1710)	5.69	5.45	5.22	4.03	A
	1.8+2.5	4.3 (2.40-4.70)	4.30	1000 (450-1190)	4.59	4.39	4.21	4.30	A	2.50+3.40 (2.7-7.7)	5.90	1530 (480-1990)	7.02	6.72	6.44	3.86	A
	1.8+3.5	5.3 (2.40-5.80)	5.30	1590 (450-1900)	7.30	6.98	6.69	3.33	A	2.50+4.30 (2.7-8.5)	6.80	1870 (480-2320)	8.59	8.21	7.87	3.64	A
	1.8+5.0	6.8 (2.40-7.50)	6.80	2370 (450-2970)	10.88	10.41	9.97	2.87	C	2.39+6.21 (2.7-10.0)	8.60	2470 (480-2880)	11.34	10.85	10.40	3.48	B
	2.5+2.5	5.0 (2.40-5.50)	5.00	1370 (450-1640)	6.29	6.02	5.77	3.65	A	3.40+3.40 2.7-8.5	6.80	1810 480-2250	8.31	7.95	7.62	3.76	A
	2.5+3.5	6.0 (2.40-6.60)	6.00	2000 (450-2400)	9.18	8.78	8.42	3.00	B	3.40+4.30 2.7-9.2	7.70	2160 480-2590	9.92	9.49	9.09	3.56	B
	2.5+5.0	7.5 (2.40-8.30)	7.50	2580 (450-3470)	11.85	11.33	10.86	2.91	C	3.16+6.04 2.7-10.5	9.20	2720 480-3110	12.49	11.95	11.45	3.38	C
	3.5+3.5	7.0 (2.40-7.70)	7.00	2490 (450-2990)	11.43	10.94	10.48	2.81	C	4.30+4.30 2.70-10.0	8.60	2460 480-2860	11.29	10.80	10.35	3.50	B
	3.5+5.0	8.5 (2.40-8.80)	8.50	2900 (450-3270)	13.31	12.74	12.21	2.93	C	3.86+5.84 2.7-11.0	9.70	2940 480-3320	13.50	12.91	12.37	3.30	C
5.0+5.0	10.0 (2.40-9.20)	8.50	2930 (450-3460)	13.45	12.87	12.33	2.90	C	5.10+5.10 2.70-11.40	10.20	2860 480-3200	13.13	12.56	12.04	3.57	B	

POSSIBLE COMBINATIONS TO OPERATE	COOLING										HEATING							
	TOTAL (kW)	CAPACITY RATING (kW) (RANGE)	TOTAL	OUTDOOR UNIT					EER	Class	CAPACITY RATING (kW) (RANGE)	TOTAL	OUTDOOR UNIT				COP	Class
				TOTAL INPUT (W)	AMPERE(A)			TOTAL INPUT (W)					AMPERE(A) at 220V-240V					
					220V	230V	240V						220V	230V	240V			
THREE UNITS	1.5+1.5+1.5	4.5	1.50+1.50+1.50 (2.70-5)	4.50	1250 (510-1500)	5.74	5.49	5.26	3.60	A	2.00+2.00+2.00 (2.90-6.5)	6.00	1540 (520-1848)	7.07	6.76	6.48	3.90	A
	1.5+1.5+1.8	4.8	1.50+1.50+1.80 (2.70-5.3)	4.80	1350 (510-1620)	6.20	5.93	5.68	3.56	A	2.00+2.00+2.50 (2.90-7)	6.50	1800 (520-2160)	8.26	7.91	7.58	3.61	A
	1.5+1.5+2.5	5.5	1.50+1.50+2.50 (2.70-6)	5.50	1490 (510-1788)	6.84	6.54	6.27	3.69	A	2.00+2.00+3.40 (2.90-7.9)	7.40	2010 (520-2412)	9.23	8.83	8.46	3.68	A
	1.5+1.5+3.5	6.5	1.50+1.50+3.50 (2.70-7)	6.50	2100 (510-2520)	9.64	9.22	8.84	3.10	B	2.00+2.00+4.30 (2.90-8.8)	8.30	2420 (520-2904)	11.11	10.63	10.19	3.43	B
	1.5+1.5+5.0	8.0	1.50+1.50+5.00 (2.70-8.5)	8.00	2230 (510-2676)	10.24	9.79	9.39	3.59	A	2.00+2.00+6.50 (2.90-11)	10.50	2300 (520-1848)	10.56	10.10	9.68	4.57	A
	1.5+1.8+1.8	5.1	1.50+1.80+1.80 (2.70-5.6)	5.10	1350 (510-1500)	6.20	5.93	5.68	3.78	A	2.00+2.50+2.50 (2.90-7.5)	7.00	1900 (520-2280)	8.72	8.34	8.00	3.68	A
	1.5+1.8+2.5	5.8	1.50+1.80+2.50 (2.70-6.3)	5.80	1350 (510-1500)	6.84	6.54	6.27	3.89	A	2.00+2.50+3.40 (2.90-8.4)	7.90	2180 (520-2616)	10.01	9.57	9.18	3.62	A
	1.5+1.8+3.5	6.8	1.50+1.80+3.50 (2.70-7.3)	6.80	2370 (510-2844)	10.88	10.41	9.97	2.87	C	2.00+2.50+4.30 (2.90-9.3)	8.80	2940 (520-1848)	10.56	10.10	9.68	3.83	A
	1.5+1.8+5.0	8.3	1.50+1.80+5.00 (2.70-8.8)	8.30	1350 (510-1500)	10.24	9.79	9.39	3.72	A	2.00+2.50+6.50 (2.90-11.5)	11.00	2800 (520-3360)	12.86	12.30	11.78	3.93	A
	1.5+2.5+2.5	6.5	1.50+2.50+2.50 (2.70-7)	6.50	2100 (510-2520)	9.64	9.22	8.84	3.10	B	2.00+3.40+3.40 (2.90-9.3)	8.80	2940 (520-1848)	10.56	10.10	9.68	3.83	A
	1.5+2.5+3.5	7.5	1.50+2.50+3.50 (2.70-8)	7.50	2580 (510-3096)	11.85	11.33	10.86	2.91	C	2.00+3.40+4.30 (2.90-10.2)	9.70	2940 (520-3528)	13.50	12.91	12.37	3.30	C
	1.5+2.5+5.0	9.0	1.50+2.50+5.00 (2.70-9.5)	9.00	1350 (510-1500)	12.30	11.77	11.28	3.36	A	1.85+3.14+6.01 (2.90-11.5)	11.00	2800 (520-3360)	12.86	12.30	11.78	3.93	A
	1.5+3.5+3.5	8.5	1.50+3.50+3.50 (2.70-9)	8.50	2800 (510-3360)	12.86	12.30	11.78	3.04	B	2.00+4.30+4.30 (2.90-11.1)	10.60	2940 (520-1848)	13.50	12.91	12.37	3.61	A
	1.5+3.5+5.0	10.0	1.35+3.15+4.50 (2.70-9.5)	9.00	2680 (510-3216)	12.30	11.77	11.28	3.36	A	1.72+3.70+5.59 (2.90-11.5)	11.00	2800 (520-3360)	12.86	12.30	11.78	3.93	A
	1.5+5.0+5.0	11.5	1.17+3.91+3.91 (2.70-9.5)	9.00	2680 (510-3216)	12.30	11.77	11.28	3.36	A	1.47+4.77+4.77 (2.90-11.5)	11.00	2800 (520-3360)	12.86	12.30	11.78	3.93	A
	1.8+1.8+1.8	5.4	1.80+1.80+1.80 (2.70-5.90)	5.40	1480 (510-1780)	6.80	6.50	6.23	3.65	A	2.50+2.50+2.50 2.9-9.1	7.50	2020 520-2440	9.27	8.87	8.50	3.71	A
	1.8+1.8+2.5	6.1	1.80+1.80+2.50 (2.70-6.70)	6.10	1780 (510-2150)	8.17	7.82	7.49	3.43	A	2.38+2.38+3.24 2.9-9.5	8.00	2210 520-2620	10.15	9.71	9.30	3.62	A
	1.8+1.8+3.5	7.1	1.80+1.80+3.50 (2.70-7.80)	7.10	1910 (510-2310)	8.77	8.39	8.04	3.72	A	2.37+2.37+4.06 2.9-10.2	8.80	2370 520-2740	10.88	10.41	9.97	3.71	A
	1.8+1.8+5.0	8.6	1.78+1.78+4.94 (2.70-9.50)	8.50	2650 (510-3260)	12.17	11.64	11.15	3.21	A	2.20+2.20+5.70 2.9-11.3	10.10	2730 520-3060	12.53	11.99	11.49	3.70	A
	1.8+2.5+2.5	6.8	1.80+2.50+2.50 (2.70-7.50)	6.80	1860 (510-2260)	8.54	8.17	7.83	3.66	A	2.30+3.15+3.15 2.9-10.0	8.60	2370 520-2760	10.88	10.41	9.97	3.63	A
1.8+2.5+3.5	7.8	1.80+2.50+3.50 (2.7-8.6)	7.80	2190 (510-2660)	10.06	9.62	9.22	3.56	A	2.30+3.13+3.96 2.90-10.7	9.40	2530 520-2880	11.62	11.11	10.65	3.72	A	

POSSIBLE COMBINATIONS TO OPERATE	COOLING										HEATING							
	TOTAL (kW)	CAPACITY RATING (kW) (RANGE)	TOTAL	OUTDOOR UNIT			EER	Class	CAPACITY RATING (kW) (RANGE)	TOTAL	OUTDOOR UNIT			COP	Class			
				TOTAL INPUT (W)	AMPERE(A)						TOTAL INPUT (W)	AMPERE(A) at 220V-240V						
					220V	230V						240V	220V			230V	240V	
THREE UNITS	1.8+2.5+5.0	9.3	1.66+2.26+4.58 (2.70-9.90)	8.50	2550 (510-3270)	11.71	11.20	10.73	3.33	A	2.10+2.85+5.45 2.9-11.6	10.40	2890 520-3220	13.27	12.69	12.16	3.60	B
	1.8+3.5+3.5	8.8	1.74+3.38+3.38 (2.70-9.70)	8.50	2600 (510-3260)	11.94	11.42	10.94	3.27	A	2.34+4.03+4.03 2.9-11.6	10.40	2750 520-3060	12.63	12.08	11.57	3.78	A
	1.8+3.5+5.0	10.3	1.47+2.88+4.16 (2.70-9.90)	8.50	2590 (510-3320)	11.89	11.37	10.90	3.28	A	1.95+3.36+5.09 2.9-11.6	10.40	2990 520-3330	13.73	13.13	12.58	3.48	B
	1.8+5.0+5.0	11.8	1.31+3.60+3.60 (2.70-9.90)	8.50	2590 (510-3320)	11.89	11.37	10.90	3.28	A	1.68+4.36+4.36 2.9-11.6	10.40	2990 520-3330	13.73	13.13	12.58	3.48	B
	2.5+2.5+2.5	7.5	2.50+2.50+2.50 (2.70-8.30)	7.50	2120 (510-2580)	9.73	9.31	8.92	3.54	A	3.00+3.00+3.00 2.9-10.4	9.00	2540 520-2920	11.66	11.16	10.69	3.54	B
	2.5+2.5+3.5	8.5	2.50+2.50+3.50 (2.70-9.4)	8.50	2560 (510-3110)	11.75	11.24	10.77	3.32	A	3.06+3.06+3.87 2.9-11.2	10.00	2730 520-3070	12.53	11.99	11.49	3.66	A
	2.5+2.5+5.0	10.0	2.13+2.13+4.25 (2.70-9.90)	8.50	2620 (510-3360)	12.03	11.51	11.03	3.24	A	2.66+2.66+5.08 2.9-11.6	10.40	2990 520-3330	13.73	13.13	12.58	3.48	B
	2.5+3.5+3.5	9.5	2.23+3.13+3.13 (2.70-9.90)	8.50	2600 (510-3330)	11.94	11.42	10.94	3.27	A	2.95+3.73+3.73 2.9-11.6	10.40	2890 520-3220	13.27	12.69	12.16	3.60	B
	2.5+3.5+5.0	11.0	1.93+2.69+3.87 (2.70-9.90)	8.50	2620 (510-3350)	12.03	11.51	11.03	3.24	A	2.49+3.14+4.77 2.9-11.6	10.40	2990 520-3330	13.73	13.13	12.58	3.48	B
	2.5+5.0+5.0	12.5	1.70+3.40+3.40 (2.70-9.90)	8.50	2620 (510-3360)	12.03	11.51	11.03	3.24	A	2.18+4.16+4.16 2.9-11.7	10.50	2990 520-3320	13.73	13.13	12.58	3.51	B
	3.5+3.5+3.5	10.5	2.83+2.83+2.83 (2.70-9.90)	8.50	2600 (510-3320)	11.94	11.42	10.94	3.27	A	3.47+3.47+3.47 2.9-11.6	10.40	2990 520-3330	13.73	13.13	12.58	3.48	B
	3.5+3.5+5.0	12.0	2.50+2.50+3.49 (2.70-9.90)	8.50	2620 (510-3360)	12.03	11.51	11.03	3.24	A	2.99+3.01+4.47 2.9-11.7	10.50	2990 520-3320	13.73	13.13	12.58	3.51	B
	3.5+5.0+5.0	13.5	2.17+3.17+3.17 (2.70-9.90)	8.50	2620 (510-3360)	12.03	11.51	11.03	3.24	A	2.61+3.97+3.97 2.9-11.7	10.50	2990 520-3320	13.73	13.13	12.58	3.51	B
	5.0+5.0+5.0	15.0	2.83+2.83+2.83 (2.70-9.90)	8.50	2690 (510-3450)	12.35	11.81	11.32	3.16	B	3.67+3.67+3.67 2.9-12.1	11.00	2890 520-3180	13.27	12.69	12.16	3.81	A

POSSIBLE COMBINATIONS TO OPERATE		COOLING										HEATING								
		TOTAL (kW)	CAPACITY RATING (kW) (RANGE)			OUTDOOR UNIT				ELE	Class	CAPACITY RATING (kW) (RANGE)			OUTDOOR UNIT				COP	% C
						TOTAL INPUT (W)	AMPERE(A)								TOTAL INPUT (W)	AMPERE(A) at 220V-240V				
			220V	230V	240V		220V	230V	240V											
FOUR UNITS	1.5+1.5+1.5+1.5	6.0	1.50+1.50+1.50+1.50 (2.90-6.5)	6.00	1350 (550-1620)	6.20	5.93	5.68	4.44	A	2.00+2.00+2.00+2.00 (3.00-8.5)	8.00	2210 (540-2652)	10.15	9.71	9.30	3.62	A		
	1.5+1.5+1.5+1.8	6.3	1.50+1.50+1.50+1.80 (2.90-6.8)	6.30	1480 (550-1776)	6.80	6.50	6.23	4.26	A	2.00+2.00+2.00+2.50 (3.00-9)	8.50	2300 (540-2760)	10.56	10.10	9.68	3.70	A		
	1.5+1.5+1.5+2.5	7.0	1.50+1.50+1.50+2.50 (2.90-7.5)	7.00	1780 (550-2136)	8.17	7.82	7.49	3.93	A	2.00+2.00+2.00+3.40 (3.00-9.9)	9.40	2530 (540-3036)	11.62	11.11	10.65	3.72	A		
	1.5+1.5+1.5+3.5	8.0	1.50+1.50+1.50+3.50 (2.90-8.5)	8.00	1910 (550-2292)	8.77	8.39	8.04	4.19	A	2.00+2.00+2.00+4.30 (3.00-10.8)	10.30	2890 (540-3468)	13.27	12.69	12.16	3.56	B		
	1.5+1.5+1.5+5.0	9.5	1.34+1.34+1.34+4.47 (2.90-9)	8.50	2650 (550-3180)	12.17	11.64	11.15	3.21	A	1.76+1.76+1.76+5.72 (3.00-11.5)	11.00	2800 (540-3360)	12.86	12.30	11.78	3.93	A		
	1.5+1.5+1.8+1.8	6.6	1.50+1.50+1.80+1.80 (2.90-7.1)	6.60	1750 (550-2100)	8.03	7.69	7.37	3.77	A	2.00+2.00+2.50+2.50 (3.00-9.5)	9.00	2540 (540-3048)	11.66	11.16	10.69	3.54	B		
	1.5+1.5+1.8+2.5	7.3	1.50+1.50+1.80+2.50 (2.90-7.8)	7.30	1850 (550-2220)	8.49	8.12	7.79	3.95	A	2.00+2.00+2.50+3.40 (3.00-10.4)	9.90	2620 (540-3144)	12.03	11.51	11.03	3.63	A		
	1.5+1.5+1.8+3.5	8.3	1.50+1.50+1.80+3.50 (2.90-8.8)	8.30	2180 (550-2616)	10.01	9.57	9.18	3.81	A	2.00+2.00+2.50+4.30 (3.00-11.3)	10.80	2890 (540-3468)	13.27	12.69	12.16	3.74	A		
	1.5+1.5+1.8+5.0	9.8	1.30+1.30+1.56+4.34 (2.90-9)	8.50	2600 (550-3120)	11.94	11.42	10.94	3.27	A	1.69+1.69+2.12+5.50 (3.00-11.5)	11.00	2800 (540-3360)	12.86	12.30	11.78	3.93	A		
	1.5+1.5+2.5+2.5	8.0	1.50+1.50+2.50+2.50 (2.90-8.5)	8.00	2150 (550-2580)	9.87	9.44	9.05	3.72	A	2.00+2.00+3.40+3.40 (3.00-11.3)	10.80	2850 (540-3420)	13.09	12.52	11.99	3.79	A		
	1.5+1.5+2.5+3.5	9.0	1.42+1.42+2.36+3.31 (2.90-9)	8.50	2600 (550-3120)	11.94	11.42	10.94	3.27	A	1.88+1.88+3.20+4.04 (3.00-11.5)	11.00	2800 (540-3360)	12.86	12.30	11.78	3.93	A		
	1.5+1.5+2.5+5.0	10.5	1.21+1.21+2.02+4.05 (2.90-9)	8.50	2600 (550-3120)	11.94	11.42	10.94	3.27	A	1.58+1.58+2.69+5.14 (3.00-11.5)	11.00	2800 (540-3360)	12.86	12.30	11.78	3.93	A		
	1.5+1.5+3.5+3.5	10.0	1.28+1.28+2.98+2.98 (2.90-9)	8.50	2600 (550-3120)	11.94	11.42	10.94	3.27	A	1.75+1.75+3.75+3.75 (3.00-11.5)	11.00	2900 (540-3480)	13.31	12.74	12.21	3.79	A		
	1.5+1.5+3.5+5.0	11.5	1.11+1.11+2.59+3.70 (2.90-9)	8.50	2600 (550-3120)	11.94	11.42	10.94	3.27	A	1.49+1.49+3.20+4.83 (3.00-11.5)	11.00	2800 (540-3360)	12.86	12.30	11.78	3.93	A		
	1.5+1.5+5.0+5.0	13.0	0.98+0.98+3.27+3.27 (2.90-9)	8.50	2600 (550-3120)	11.94	11.42	10.94	3.27	A	1.29+1.29+4.21+4.21 (3.00-11.5)	11.00	2800 (540-3360)	12.86	12.30	11.78	3.93	A		
	1.5+1.8+1.8+1.8	6.9	1.50+1.80+1.80+1.80 (2.90-7.4)	6.90	1870 (550-2244)	8.59	8.21	7.87	3.69	A	2.00+2.50+2.50+2.50 (3.00-10)	9.50	2620 (540-3144)	12.03	11.51	11.03	3.63	A		
	1.5+1.8+1.8+2.5	7.6	1.50+1.80+1.80+2.50 (2.90-8.1)	7.60	2140 (550-2568)	9.83	9.40	9.01	3.55	A	2.00+2.50+2.50+3.40 (3.00-10.9)	10.40	2890 (540-3468)	13.27	12.69	12.16	3.60	B		
	1.5+1.8+1.8+3.5	8.6	1.48+1.78+1.78+3.46 (2.90-9)	8.50	2550 (550-3060)	11.71	11.20	10.73	3.33	A	1.95+2.43+2.43+4.19 (3.00-11.5)	11.00	2800 (540-3360)	12.86	12.30	11.78	3.93	A		
	1.5+1.8+1.8+5.0	10.1	1.26+1.51+1.51+4.21 (2.90-9)	8.50	2600 (550-3120)	11.94	11.42	10.94	3.27	A	1.63+2.04+2.04+5.30 (3.00-11.5)	11.00	2800 (540-3360)	12.86	12.30	11.78	3.93	A		
	1.5+1.8+2.5+2.5	8.3	1.50+1.80+2.50+2.50 (2.90-8.8)	8.30	2740 (550-3288)	12.58	12.03	11.53	3.03	B	1.95+2.43+3.31+3.31 (3.00-11.5)	11.00	2800 (540-3360)	12.86	12.30	11.78	3.93	A		
1.5+1.8+2.5+3.5	9.3	1.37+1.65+2.28+3.20 (2.90-9)	8.50	2600 (550-3120)	11.94	11.42	10.94	3.27	A	1.80+2.25+3.07+3.88 (3.00-11.5)	11.00	2800 (540-3360)	12.86	12.30	11.78	3.93	A			



POSSIBLE COMBINATIONS TO OPERATE	COOLING										HEATING						
	TOTAL (KW)	CAPACITY RATING(kW) (RANGE)	TOTAL	OUTDOOR UNIT			EER	Class	CAPACITY RATING(kW) (RANGE)	TOTAL	OUTDOOR UNIT			COP	Class		
				TOTAL INPUT (W)	AMPERE(A)						TOTAL INPUT (W)	AMPERE(A) at 220V-240V					
					220V	230V						240V	220V			230V	240V
1.5+1.8+2.5+5.0	10.8	1.18+1.42+1.97+3.94 (2.90-9)	8.50	2600 (550-3120)	11.94	11.42	10.94	3.27	A	1.53+1.91+2.60+4.97 (3.00-11.5)	11.00	2800 (540-3360)	12.86	12.30	11.78	3.93	A
1.5+1.8+3.5+3.5	10.3	1.24+1.49+2.89+2.89 (2.90-9)	8.50	2600 (550-3120)	11.94	11.42	10.94	3.27	A	1.68+2.10+3.61+3.61 (3.00-11.5)	11.00	2800 (540-3360)	12.86	12.30	11.78	3.93	A
1.5+1.8+3.5+5.0	11.8	1.08+1.30+2.52+3.60 (2.90-9)	8.50	2600 (550-3120)	11.94	11.42	10.94	3.27	A	1.44+1.80+3.09+4.67 (3.00-11.5)	11.00	2800 (540-3360)	12.86	12.30	11.78	3.93	A
1.5+1.8+5.0+5.0	13.3	0.96+1.15+3.20+3.20 (2.90-9)	8.50	2600 (550-3120)	11.94	11.42	10.94	3.27	A	1.26+1.57+4.09+4.09 (3.00-11.5)	11.00	2800 (540-3360)	12.86	12.30	11.78	3.93	A
1.5+2.5+2.5+2.5	9.0	1.42+2.36+2.36+2.36 (2.90-9)	8.50	2610 (550-3132)	11.98	11.46	10.98	3.26	A	1.80+3.07+3.07+3.07 (3.00-11.5)	11.00	2800 (540-3360)	12.86	12.30	11.78	3.93	A
1.5+2.5+2.5+3.5	10.0	1.28+2.13+2.13+2.98 (2.90-9)	8.50	2600 (550-3120)	11.94	11.42	10.94	3.27	A	1.68+2.85+2.85+3.61 (3.00-11.5)	11.00	2800 (540-3360)	12.86	12.30	11.78	3.93	A
1.5+2.5+2.5+5.0	11.5	1.11+1.85+1.85+3.70 (2.90-9)	8.50	2600 (550-3120)	11.94	11.42	10.94	3.27	A	1.44+2.44+2.44+4.67 (3.00-11.5)	11.00	2800 (540-3360)	12.86	12.30	11.78	3.93	A
1.5+2.5+3.5+3.5	11.0	1.16+1.93+2.70+2.70 (2.90-9)	8.50	2600 (550-3120)	11.94	11.42	10.94	3.27	A	1.57+2.67+3.38+3.38 (3.00-11.5)	11.00	2800 (540-3360)	12.86	12.30	11.78	3.93	A
1.5+2.5+3.5+5.0	12.5	1.02+1.70+2.38+3.40 (2.90-9)	8.50	2600 (550-3120)	11.94	11.42	10.94	3.27	A	1.36+2.31+2.92+4.41 (3.00-11.5)	11.00	2800 (540-3360)	12.86	12.30	11.78	3.93	A
1.5+2.5+5.0+5.0	14.0	0.91+1.52+3.04+3.04 (2.90-9)	8.50	2600 (550-3120)	11.94	11.42	10.94	3.27	A	1.20+2.03+3.89+3.89 (3.00-11.5)	11.00	2800 (540-3360)	12.86	12.30	11.78	3.93	A
1.5+3.5+3.5+3.5	12.0	1.06+2.48+2.48+2.48 (2.90-9)	8.50	2600 (550-3120)	11.94	11.42	10.94	3.27	A	1.48+3.17+3.17+3.17 (3.00-11.5)	11.00	2800 (540-3360)	12.86	12.30	11.78	3.93	A
1.5+3.5+3.5+5.0	13.5	0.94+2.20+2.20+3.15 (2.90-9)	8.50	2600 (550-3120)	11.94	11.42	10.94	3.27	A	1.29+2.77+2.77+4.18 (3.00-11.5)	11.00	2800 (540-3360)	12.86	12.30	11.78	3.93	A
1.5+3.5+5.0+5.0	15.0	0.85+1.98+2.83+2.83 (2.90-9)	8.50	2600 (550-3120)	11.94	11.42	10.94	3.27	A	1.14+2.45+3.70+3.70 (3.00-11.5)	11.00	2800 (540-3360)	12.86	12.30	11.78	3.93	A
1.8+1.8+1.8+1.8	7.2	1.80+1.80+1.80+1.80 (2.90-7.90)	7.20	1800 (550-2310)	8.26	7.91	7.58	4.00	A	2.40+2.40+2.40+2.40 3.0-10.9	9.60	2400 540-2720	11.02	10.54	10.10	4.00	A
1.8+1.8+1.8+2.5	7.9	1.80+1.80+1.80+2.50 (2.90-8.70)	7.90	2090 (550-2690)	9.60	9.18	8.80	3.78	A	2.25+2.25+2.25+3.06 3.0-11.1	9.80	2700 540-3050	12.40	11.86	11.36	3.63	A
1.8+1.8+1.8+3.5	8.9	1.72+1.72+1.72+3.34 (2.90-9.80)	8.50	2415 (550-3260)	11.09	10.61	10.16	3.52	A	2.16+2.16+2.16+3.72 3.0-11.4	10.20	2700 540-3020	12.40	11.86	11.36	3.78	A
1.8+1.8+1.8+5.0	10.4	1.46+1.46+1.46+4.11 (2.90-9.90)	8.50	2390 (550-3260)	10.97	10.50	10.06	3.56	A	1.82+1.81+1.81+4.76 3.0-11.4	10.20	2700 540-3020	12.40	11.86	11.36	3.78	A
1.8+1.8+2.5+2.5	8.6	1.78+1.78+2.47+2.47 (2.90-9.50)	8.50	2320 (550-3040)	10.65	10.19	9.76	3.66	A	2.12+2.12+2.88+2.88 3.0-11.2	10.00	2700 540-3030	12.40	11.86	11.36	3.70	A
1.8+1.8+2.5+3.5	9.6	1.59+1.59+2.21+3.10 (2.90-9.9)	8.50	2390 (550-3260)	10.97	10.50	10.06	3.56	A	2.01+2.01+2.73+3.45 3.0-11.4	10.20	2700 540-3020	12.40	11.86	11.36	3.78	A
1.8+1.8+2.5+5.0	11.1	1.37+1.37+1.90+3.88 (2.90-9.9)	8.50	2390 (550-3260)	10.97	10.50	10.06	3.56	A	1.71+1.70+2.32+4.50 3.0-11.4	10.20	2700 540-3020	12.40	11.86	11.36	3.78	A
1.8+1.8+3.5+3.5	10.6	1.44+1.44+2.81+2.81 (2.90-9.90)	8.50	2390 (550-3260)	10.97	10.50	10.06	3.56	A	1.88+1.88+3.23+3.23 3.0-11.4	10.20	2700 540-3020	12.40	11.86	11.36	3.78	A

FOUR UNITS

POSSIBLE COMBINATIONS TO OPERATE	COOLING										HEATING							
	TOTAL (kW)	CAPACITY RATING(kW) (RANGE)	TOTAL	OUTDOOR UNIT			EER	Class	CAPACITY RATING(kW) (RANGE)	TOTAL	OUTDOOR UNIT			COP	Class			
				TOTAL INPUT (W)	AMPERE(A)						TOTAL INPUT (W)	AMPERE(A) at 220V-240V						
					220V	230V						240V	220V			230V	240V	
FOUR UNITS	1.8+1.8+3.5+5.0	12.1	1.27+1.27+2.46+3.49 (2.90-9.90)	8.50	2390 (550-3260)	10.97	10.50	10.06	3.56	A	1.61+1.62+2.78+4.18 3.0-11.4	10.20	2700 540-3020	12.40	11.86	11.36	3.78	A
	1.8+1.8+5.0+5.0	13.6	1.14+1.14+3.12+3.12 (2.90-9.90)	8.50	2370 (550-3230)	10.88	10.41	9.97	3.59	A	1.44+1.45+3.75+3.75 3.0-11.6	10.40	2700 540-3010	12.40	11.86	11.36	3.85	A
	1.8+2.5+2.5+2.5	9.3	1.71+2.26+2.26+2.26 (2.90-9.90)	8.50	2390 (550-3260)	10.97	10.50	10.06	3.56	A	2.01+2.71+2.71+2.71 3.0-11.4	10.20	2700 540-3020	12.40	11.86	11.36	3.78	A
	1.8+2.5+2.5+3.5	10.3	1.52+2.08+2.08+2.83 (2.90-9.90)	8.50	2390 (550-3260)	10.97	10.50	10.06	3.56	A	1.88+2.57+2.57+3.17 3.0-11.4	10.20	2700 540-3020	12.40	11.86	11.36	3.78	A
	1.8+2.5+2.5+5.0	11.8	1.33+1.79+1.79+3.59 (2.90-9.90)	8.50	2390 (550-3260)	10.97	10.50	10.06	3.56	A	1.61+2.18+2.18+4.19 3.0-11.4	10.20	2700 540-3020	12.40	11.86	11.36	3.78	A
	1.8+2.5+3.5+3.5	11.3	1.32+1.89+2.64+2.64 (2.90-9.90)	8.50	2390 (550-3260)	10.97	10.50	10.06	3.56	A	1.76+2.40+3.03+3.03 3.0-11.4	10.20	2700 540-3020	12.40	11.86	11.36	3.78	A
	1.8+2.5+3.5+5.0	12.8	1.23+1.65+2.31+3.30 (2.90-9.90)	8.50	2390 (550-3260)	10.97	10.50	10.06	3.56	A	1.53+2.07+2.62+3.95 3.0-11.4	10.20	2700 540-3020	12.40	11.86	11.36	3.78	A
	1.8+2.5+5.0+5.0	14.3	1.09+1.47+2.97+2.97 (2.90-9.90)	8.50	2370 (550-3230)	10.88	10.41	9.97	3.59	A	1.46+1.96+3.78+3.78 3.0-12.1	11.00	2630 540-2890	12.08	11.55	11.07	4.18	A
	1.8+3.5+3.5+3.5	12.3	1.27+2.41+2.41+2.41 (2.90-9.90)	8.50	2390 (550-3260)	10.97	10.50	10.06	3.56	A	1.66+2.84+2.84+2.84 3.0-11.4	10.20	2700 540-3020	12.40	11.86	11.36	3.78	A
	1.8+3.5+3.5+5.0	13.8	1.09+2.18+2.18+3.07 (2.90-9.90)	8.50	2390 (550-3260)	10.97	10.50	10.06	3.56	A	1.56+2.71+2.71+4.05 3.0-12.1	11.00	2800 540-3080	12.86	12.30	11.78	3.93	A
	1.8+3.5+5.0+5.0	15.3	0.99+1.93+2.79+2.79 (2.90-9.90)	8.50	2370 (550-3230)	10.88	10.41	9.97	3.59	A	1.39+2.38+3.62+3.62 3.0-12.1	11.00	2800 540-2890	12.86	12.30	11.78	3.93	A
	2.5+2.5+2.5+2.5	10.0	2.13+2.13+2.13+2.13 (2.90-9.90)	8.50	2370 (550-3260)	10.88	10.41	9.97	3.59	A	2.55+2.55+2.55+2.55 3.0-11.4	10.20	2700 540-3020	12.40	11.86	11.36	3.78	A
	2.5+2.5+2.5+3.5	11.0	1.93+1.93+1.93+2.69 (2.90-9.90)	8.50	2370 (550-3260)	10.88	10.41	9.97	3.59	A	2.39+2.39+2.39+3.01 3.0-11.4	10.20	2700 540-3020	12.40	11.86	11.36	3.78	A
	2.5+2.5+2.5+5.0	12.5	1.70+1.70+1.70+3.40 (2.90-9.90)	8.50	2370 (550-3260)	10.88	10.41	9.97	3.59	A	2.12+2.12+2.12+4.05 3.0-11.6	10.40	2700 540-3010	12.40	11.86	11.36	3.85	A
	2.5+2.5+3.5+3.5	12.0	1.77+1.77+2.47+2.47 (2.90-9.90)	8.50	2370 (550-3260)	10.88	10.41	9.97	3.59	A	1.76+2.39+3.01+3.01 3.0-11.4	10.20	2700 540-3020	12.40	11.86	11.36	3.78	A
	2.5+2.5+3.5+5.0	13.5	1.57+1.57+2.20+3.15 (2.90-9.90)	8.50	2370 (550-3260)	10.88	10.41	9.97	3.59	A	2.01+2.01+2.54+3.84 3.0-11.6	10.40	2700 540-3010	12.40	11.86	11.36	3.85	A
	2.5+2.5+5.0+5.0	15.0	1.42+1.42+2.83+2.83 (2.90-9.90)	8.50	2370 (550-3230)	10.88	10.41	9.97	3.59	A	1.89+1.89+3.61+3.61 3.0-12.1	11.00	2630 540-2890	12.08	11.55	11.07	4.18	A
	2.5+3.5+3.5+3.5	13.0	1.64+2.29+2.29+2.29 (2.90-9.90)	8.50	2390 (550-3260)	10.97	10.50	10.06	3.56	A	2.17+2.74+2.74+2.74 3.0-11.6	10.40	2700 540-3010	12.40	11.86	11.36	3.85	A
	2.5+3.5+3.5+5.0	14.5	1.48+2.05+2.05+2.93 (2.90-9.90)	8.50	2390 (550-3260)	10.97	10.50	10.06	3.56	A	2.02+2.56+2.56+3.86 3.0-12.1	11.00	2630 540-2890	12.08	11.55	11.07	4.18	A
	3.5+3.5+3.5+3.5	14.0	2.13+2.13+2.13+2.13 (2.90-9.90)	8.50	2390 (550-3260)	10.97	10.50	10.06	3.56	A	2.75+2.75+2.75+2.75 3.0-12.1	11.00	2630 540-2890	12.08	11.55	11.07	4.18	A
3.5+3.5+3.5+5.0	15.5	1.92+1.92+1.92+2.74 (2.90-9.90)	8.50	2390 (550-3260)	10.97	10.50	10.06	3.56	A	2.44+2.44+2.44+3.69 3.0-12.1	11.00	2630 540-2890	12.08	11.55	11.07	4.18	A	

POSSIBLE COMBINATIONS TO OPERATE	COOLING										HEATING						
	TOTAL (kW)	CAPACITY RATING(kW) (RANGE)	TOTAL	OUTDOOR UNIT			EER	Class	CAPACITY RATING(kW) (RANGE)	TOTAL	OUTDOOR UNIT			COP	Class		
				TOTAL INPUT (W)	AMPERE(A)						TOTAL INPUT (W)	AMPERE(A) at 220V-240V					
					220V	230V						240V	220V			230V	240V
1.5+1.5+1.5+1.5+1.5	7.5	1.50+1.50+1.50+1.50+1.50 (3.20-8)	7.50	1770 (600-2124)	8.13	7.77	7.45	4.24	A	2.00+2.00+2.00+2.00+2.00 (3.40-10.5)	10.00	2350 (610-2820)	10.79	10.32	9.89	4.26	A
1.5+1.5+1.5+1.5+1.8	7.8	1.50+1.50+1.50+1.50+1.80 (3.20-8.3)	7.80	1850 (600-2220)	8.49	8.12	7.79	4.22	A	2.00+2.00+2.00+2.00+2.50 (3.40-11)	10.50	2360 (610-2832)	10.84	10.36	9.93	4.45	A
1.5+1.5+1.5+1.5+2.5	8.5	1.50+1.50+1.50+1.50+2.50 (3.20-9)	8.50	1950 (600-2340)	8.95	8.56	8.21	4.36	A	1.93+1.93+1.93+1.93+3.28 (3.40-11.5)	11.00	2400 (610-2880)	11.02	10.54	10.10	4.58	A
1.5+1.5+1.5+1.5+3.5	9.5	1.34+1.34+1.34+1.34+3.13 (3.20-9)	8.50	2590 (600-3108)	11.89	11.37	10.90	3.28	A	1.79+1.79+1.79+1.79+3.85 (3.40-11.5)	11.00	2460 (610-2952)	11.29	10.80	10.35	4.47	A
1.5+1.5+1.5+1.5+5.0	11.0	1.16+1.16+1.16+1.16+3.86 (3.20-9)	8.50	2390 (600-2868)	10.97	10.50	10.06	3.56	A	1.52+1.52+1.52+1.52+4.93 (3.40-11.5)	11.00	2460 (610-2952)	11.29	10.80	10.35	4.47	A
1.5+1.5+1.5+1.8+1.8	8.1	1.50+1.50+1.50+1.80+1.80 (3.20-8.6)	8.10	1960 (600-2352)	9.00	8.61	8.25	4.13	A	2.00+2.00+2.00+2.50+2.50 (3.40-11.5)	11.00	2460 (610-2952)	11.29	10.80	10.35	4.47	A
1.5+1.5+1.5+1.8+2.5	8.8	1.45+1.45+1.45+1.74+2.41 (3.20-9)	8.50	2200 (600-2640)	10.10	9.66	9.26	3.86	A	1.85+1.85+1.85+2.31+3.14 (3.40-11.5)	11.00	2460 (610-2952)	11.29	10.80	10.35	4.47	A
1.5+1.5+1.5+1.8+3.5	9.8	1.30+1.30+1.30+1.56+3.04 (3.20-9)	8.50	2390 (600-2868)	10.97	10.50	10.06	3.56	A	1.72+1.72+1.72+2.15+3.70 (3.40-11.5)	11.00	2460 (610-2952)	11.29	10.80	10.35	4.47	A
1.5+1.5+1.5+1.8+5.0	11.3	1.13+1.13+1.13+1.35+3.76 (3.20-9)	8.50	2390 (600-2868)	10.97	10.50	10.06	3.56	A	1.47+1.47+1.47+1.83+4.77 (3.40-11.5)	11.00	2460 (610-2952)	11.29	10.80	10.35	4.47	A
1.5+1.5+1.5+2.5+2.5	9.5	1.34+1.34+1.34+2.24+2.24 (3.20-9)	8.50	2480 (600-2976)	11.39	10.89	10.44	3.43	A	1.72+1.72+1.72+2.92+2.92 (3.40-11.5)	11.00	2460 (610-2952)	11.29	10.80	10.35	4.47	A
1.5+1.5+1.5+2.5+3.5	10.5	1.21+1.21+1.21+2.02+2.83 (3.20-9)	8.50	2390 (600-2868)	10.97	10.50	10.06	3.56	A	1.61+1.61+1.61+2.73+3.45 (3.40-11.5)	11.00	2460 (610-2952)	11.29	10.80	10.35	4.47	A
1.5+1.5+1.5+2.5+5.0	12.0	1.06+1.06+1.06+1.77+3.54 (3.20-9)	8.50	2390 (600-2868)	10.97	10.50	10.06	3.56	A	1.38+1.38+1.38+2.35+4.50 (3.40-11.5)	11.00	2460 (610-2952)	11.29	10.80	10.35	4.47	A
1.5+1.5+1.5+3.5+3.5	11.5	1.11+1.11+1.11+2.59+2.59 (3.20-9)	8.50	2390 (600-2868)	10.97	10.50	10.06	3.56	A	1.51+1.51+1.51+3.24+3.24 (3.40-11.5)	11.00	2460 (610-2952)	11.29	10.80	10.35	4.47	A
1.5+1.5+1.5+3.5+5.0	13.0	0.98+0.98+0.98+2.29+3.27 (3.20-9)	8.50	2390 (600-2868)	10.97	10.50	10.06	3.56	A	1.31+1.31+1.31+2.82+4.26 (3.40-11.5)	11.00	2460 (610-2952)	11.29	10.80	10.35	4.47	A
1.5+1.5+1.5+5.0+5.0	14.5	0.88+0.88+0.88+2.93+2.93 (3.20-9)	8.50	2390 (600-2868)	10.97	10.50	10.06	3.56	A	1.16+1.16+1.16+3.76+3.76 (3.40-11.5)	11.00	2460 (610-2952)	11.29	10.80	10.35	4.47	A
1.5+1.5+1.8+1.8+1.8	8.4	1.50+1.50+1.80+1.80+1.80 (3.20-8.9)	8.40	2180 (600-2616)	10.01	9.57	9.18	3.85	A	1.91+1.91+2.39+2.39+2.39 (3.40-11.5)	11.00	2460 (610-2952)	11.29	10.80	10.35	4.47	A
1.5+1.5+1.8+1.8+2.5	9.1	1.40+1.40+1.68+1.68+2.34 (3.20-9)	8.50	2490 (600-2988)	11.43	10.94	10.48	3.41	A	1.77+1.77+2.22+2.22+3.02 (3.40-11.5)	11.00	2460 (610-2952)	11.29	10.80	10.35	4.47	A
1.5+1.5+1.8+1.8+3.5	10.1	1.26+1.26+1.51+1.51+2.95 (3.20-9)	8.50	2390 (600-2868)	10.97	10.50	10.06	3.56	A	1.65+1.65+2.07+2.07+3.56 (3.40-11.5)	11.00	2460 (610-2952)	11.29	10.80	10.35	4.47	A
1.5+1.5+1.8+1.8+5.0	11.6	1.10+1.10+1.32+1.32+3.66 (3.20-9)	8.50	2390 (600-2868)	10.97	10.50	10.06	3.56	A	1.42+1.42+1.77+1.77+4.61 (3.40-11.5)	11.00	2460 (610-2952)	11.29	10.80	10.35	4.47	A
1.5+1.5+1.8+2.5+2.5	9.8	1.30+1.30+1.56+2.17+2.17 (3.20-9)	8.50	2390 (600-2868)	10.97	10.50	10.06	3.56	A	1.65+1.65+2.07+2.81+2.81 (3.40-11.5)	11.00	2460 (610-2952)	11.29	10.80	10.35	4.47	A
1.5+1.5+1.8+2.5+3.5	10.8	1.18+1.18+1.42+1.97+2.75 (3.20-9)	8.50	2390 (600-2868)	10.97	10.50	10.06	3.56	A	1.55+1.55+1.94+2.63+3.33 (3.40-11.5)	11.00	2460 (610-2952)	11.29	10.80	10.35	4.47	A

FIVE UNITS

POSSIBLE COMBINATIONS TO OPERATE	COOLING										HEATING							
	TOTAL (kW)	CAPACITY RATING (kW) (RANGE)	OUTDOOR UNIT						E L R	C l e s s	CAPACITY RATING (kW) (RANGE)	TOTAL	OUTDOOR UNIT				C O P	C l e s s
			TOTAL INPUT (W)	AMPERE (A)			TOTAL INPUT (W)	AMPERE (A)										
				220V	230V	240V		220V					230V	240V				
1.5+1.5+1.8+2.5+5.0	12.3	1.04+1.04+1.24+1.73+3.46 (3.20-9)	8.50	2390 (600-2868)	10.97	10.50	10.06	3.56	A	1.34+1.34+1.68+2.28+4.36 (3.40-11.5)	11.00	2460 (610-2952)	11.29	10.80	10.35	4.47	A	
1.5+1.5+1.8+3.5+3.5	11.8	1.08+1.08+1.30+2.52+2.52 (3.20-9)	8.50	2390 (600-2868)	10.97	10.50	10.06	3.56	A	1.46+1.46+1.82+3.13+3.13 (3.40-11.5)	11.00	2460 (610-2952)	11.29	10.80	10.35	4.47	A	
1.5+1.5+1.8+3.5+5.0	13.3	0.96+0.96+1.15+2.24+3.20 (3.20-9)	8.50	2390 (600-2868)	10.97	10.50	10.06	3.56	A	1.27+1.27+1.59+2.73+4.13 (3.40-11.5)	11.00	2460 (610-2952)	11.29	10.80	10.35	4.47	A	
1.5+1.5+1.8+5.0+5.0	14.8	0.86+0.86+1.03+2.87+2.87 (3.20-9)	8.50	2390 (600-2868)	10.97	10.50	10.06	3.56	A	1.13+1.13+1.41+3.67+3.67 (3.40-11.5)	11.00	2460 (610-2952)	11.29	10.80	10.35	4.47	A	
1.5+1.5+2.5+2.5+2.5	10.5	1.21+1.21+2.02+2.02+2.02 (3.20-9)	8.50	2390 (600-2868)	10.97	10.50	10.06	3.56	A	1.55+1.55+2.63+2.63+2.63 (3.40-11.5)	11.00	2460 (610-2952)	11.29	10.80	10.35	4.47	A	
1.5+1.5+2.5+2.5+3.5	11.5	1.11+1.11+1.85+1.85+2.59 (3.20-9)	8.50	2390 (600-2868)	10.97	10.50	10.06	3.56	A	1.46+1.46+2.48+2.48+3.13 (3.40-11.5)	11.00	2460 (610-2952)	11.29	10.80	10.35	4.47	A	
1.5+1.5+2.5+2.5+5.0	13.0	0.98+0.98+1.63+1.63+3.27 (3.20-9)	8.50	2390 (600-2868)	10.97	10.50	10.06	3.56	A	1.27+1.27+2.16+2.16+4.13 (3.40-11.5)	11.00	2460 (610-2952)	11.29	10.80	10.35	4.47	A	
1.5+1.5+2.5+3.5+3.5	12.5	1.02+1.02+1.70+2.38+2.38 (3.20-9)	8.50	2390 (600-2868)	10.97	10.50	10.06	3.56	A	1.38+1.38+2.34+2.96+2.96 (3.40-11.5)	11.00	2460 (610-2952)	11.29	10.80	10.35	4.47	A	
1.5+1.5+2.5+3.5+5.0	14.0	0.91+0.91+1.52+2.13+3.04 (3.20-9)	8.50	2390 (600-2868)	10.97	10.50	10.06	3.56	A	1.21+1.21+2.05+2.60+3.93 (3.40-11.5)	11.00	2460 (610-2952)	11.29	10.80	10.35	4.47	A	
1.5+1.5+2.5+5.0+5.0	15.5	0.82+0.82+1.37+2.74+2.74 (3.20-9)	8.50	2390 (600-2868)	10.97	10.50	10.06	3.56	A	1.08+1.08+1.83+3.50+3.50 (3.40-11.5)	11.00	2460 (610-2952)	11.29	10.80	10.35	4.47	A	
1.5+1.5+3.5+3.5+3.5	13.5	0.94+0.94+2.20+2.20+2.20 (3.20-9)	8.50	2390 (600-2868)	10.97	10.50	10.06	3.56	A	1.30+1.30+2.80+2.80+2.80 (3.40-11.5)	11.00	2460 (610-2952)	11.29	10.80	10.35	4.47	A	
1.5+1.5+3.5+3.5+5.0	15.0	0.85+0.85+1.98+1.98+2.83 (3.20-9)	8.50	2390 (600-2868)	10.97	10.50	10.06	3.56	A	1.15+1.15+2.48+2.48+3.74 (3.40-11.5)	11.00	2460 (610-2952)	11.29	10.80	10.35	4.47	A	
1.5+1.8+1.8+1.8+1.8	8.7	1.47+1.76+1.76+1.76+1.76 (3.20-9)	8.50	2530 (600-3036)	11.62	11.11	10.65	3.36	A	1.83+2.29+2.29+2.29+2.29 (3.40-11.5)	11.00	2460 (610-2952)	11.29	10.80	10.35	4.47	A	
1.5+1.8+1.8+1.8+2.5	9.4	1.36+1.63+1.63+1.63+2.26 (3.20-9)	8.50	2390 (600-2868)	10.97	10.50	10.06	3.56	A	1.71+2.13+2.13+2.13+2.90 (3.40-11.5)	11.00	2460 (610-2952)	11.29	10.80	10.35	4.47	A	
1.5+1.8+1.8+1.8+3.5	10.4	1.23+1.47+1.47+1.47+2.86 (3.20-9)	8.50	2390 (600-2868)	10.97	10.50	10.06	3.56	A	1.59+1.99+1.99+1.99+3.43 (3.40-11.5)	11.00	2460 (610-2952)	11.29	10.80	10.35	4.47	A	
1.5+1.8+1.8+1.8+5.0	11.9	1.07+1.29+1.29+1.29+3.57 (3.20-9)	8.50	2390 (600-2868)	10.97	10.50	10.06	3.56	A	1.38+1.72+1.72+1.72+4.47 (3.40-11.5)	11.00	2460 (610-2952)	11.29	10.80	10.35	4.47	A	
1.5+1.8+1.8+2.5+2.5	10.1	1.26+1.51+1.51+2.10+2.10 (3.20-9)	8.50	2390 (600-2868)	10.97	10.50	10.06	3.56	A	1.59+1.99+1.99+2.71+2.71 (3.40-11.5)	11.00	2460 (610-2952)	11.29	10.80	10.35	4.47	A	
1.5+1.8+1.8+2.5+3.5	11.1	1.15+1.38+1.38+1.91+2.68 (3.20-9)	8.50	2390 (600-2868)	10.97	10.50	10.06	3.56	A	1.50+1.87+1.87+2.54+3.22 (3.40-11.5)	11.00	2460 (610-2952)	11.29	10.80	10.35	4.47	A	
1.5+1.8+1.8+2.5+5.0	12.6	1.01+1.21+1.21+1.69+3.37 (3.20-9)	8.50	2390 (600-2868)	10.97	10.50	10.06	3.56	A	1.30+1.63+1.63+2.21+4.23 (3.40-11.5)	11.00	2460 (610-2952)	11.29	10.80	10.35	4.47	A	
1.5+1.8+1.8+3.5+3.5	12.1	1.05+1.26+1.26+2.46+2.46 (3.20-9)	8.50	2390 (600-2868)	10.97	10.50	10.06	3.56	A	1.41+1.76+1.76+3.03+3.03 (3.40-11.5)	11.00	2460 (610-2952)	11.29	10.80	10.35	4.47	A	
1.5+1.8+1.8+3.5+5.0	13.6	0.94+1.13+1.13+2.19+3.13 (3.20-9)	8.50	2390 (600-2868)	10.97	10.50	10.06	3.56	A	1.24+1.54+1.54+2.66+4.02 (3.40-11.5)	11.00	2460 (610-2952)	11.29	10.80	10.35	4.47	A	

FIVE UNITS

POSSIBLE COMBINATIONS TO OPERATE	COOLING										HEATING						
	TOTAL (kW)	CAPACITY RATING(kW) (RANGE)	TOTAL	OUTDOOR UNIT			EER	Class	CAPACITY RATING(kW) (RANGE)	TOTAL	OUTDOOR UNIT			COP	Class		
				TOTAL INPUT (W)	AMPERE(A)						TOTAL INPUT (W)	AMPERE(A) at 220V-240V					
					220V	230V						240V	220V			230V	240V
1.5+1.8+1.8+5.0+5.0	15.1	0.84+1.01+1.01+2.81+2.81 (3.20-9)	8.50	2390 (600-2868)	10.97	10.50	10.06	3.56	A	1.10+1.38+1.38+3.58+3.58 (3.40-11.5)	11.00	2460 (610-2952)	11.29	10.80	10.35	4.47	A
1.5+1.8+2.5+2.5+2.5	10.8	1.18+1.42+1.97+1.97+1.97 (3.20-9)	8.50	2390 (600-2868)	10.97	10.50	10.06	3.56	A	1.50+1.87+2.54+2.54+2.54 (3.40-11.5)	11.00	2460 (610-2952)	11.29	10.80	10.35	4.47	A
1.5+1.8+2.5+2.5+3.5	11.8	1.08+1.30+1.80+1.80+2.52 (3.20-9)	8.50	2390 (600-2868)	10.97	10.50	10.06	3.56	A	1.41+1.76+2.40+2.40+3.03 (3.40-11.5)	11.00	2460 (610-2952)	11.29	10.80	10.35	4.47	A
1.5+1.8+2.5+2.5+5.0	13.3	0.96+1.15+1.60+1.60+3.20 (3.20-9)	8.50	2390 (600-2868)	10.97	10.50	10.06	3.56	A	1.24+1.54+2.10+2.10+4.02 (3.40-11.5)	11.00	2460 (610-2952)	11.29	10.80	10.35	4.47	A
1.5+1.8+2.5+3.5+3.5	12.8	1.00+1.20+1.66+2.32+2.32 (3.20-9)	8.50	2390 (600-2868)	10.97	10.50	10.06	3.56	A	1.33+1.67+2.27+2.87+2.87 (3.40-11.5)	11.00	2460 (610-2952)	11.29	10.80	10.35	4.47	A
1.5+1.8+2.5+3.5+5.0	14.3	0.89+1.07+1.49+2.08+2.97 (3.20-9)	8.50	2390 (600-2868)	10.97	10.50	10.06	3.56	A	1.18+1.47+2.00+2.53+3.82 (3.40-11.5)	11.00	2460 (610-2952)	11.29	10.80	10.35	4.47	A
1.5+1.8+3.5+3.5+3.5	13.8	0.92+1.11+2.16+2.16+2.16 (3.20-9)	8.50	2390 (600-2868)	10.97	10.50	10.06	3.56	A	1.26+1.58+2.72+2.72+2.72 (3.40-11.5)	11.00	2460 (610-2952)	11.29	10.80	10.35	4.47	A
1.5+1.8+3.5+3.5+5.0	15.3	0.83+1.00+1.94+1.94+2.78 (3.20-9)	8.50	2390 (600-2868)	10.97	10.50	10.06	3.56	A	1.12+1.40+2.41+2.41+3.65 (3.40-11.5)	11.00	2460 (610-2952)	11.29	10.80	10.35	4.47	A
1.8+1.8+1.8+1.8+1.8	9.0	1.70+1.70+1.70+1.70+1.70 (3.20-9.90)	8.50	2230 (600-3040)	10.24	9.79	9.39	3.81	A	2.20+2.20+2.20+2.20+2.20 (3.40-12.10)	11.00	2460 (610-2710)	11.29	10.80	10.35	4.47	A
1.8+1.8+1.8+1.8+2.5	9.7	1.58+1.58+1.58+1.58+2.19 (3.20-9.90)	8.50	2230 (600-3040)	10.24	9.79	9.39	3.81	A	2.05+2.05+2.05+2.05+2.79 (3.40-12.10)	11.00	2460 (610-2710)	11.29	10.80	10.35	4.47	A
1.8+1.8+1.8+1.8+3.5	10.7	1.43+1.43+1.43+1.43+2.80 (3.20-9.90)	8.50	2230 (600-3040)	10.24	9.79	9.39	3.81	A	1.92+1.92+1.92+1.92+3.33 (3.40-12.10)	11.00	2460 (610-2710)	11.29	10.80	10.35	4.47	A
1.8+1.8+1.8+1.8+5.0	12.2	1.25+1.25+1.25+1.25+3.47 (3.20-9.90)	8.50	2230 (600-3040)	10.24	9.79	9.39	3.81	A	1.67+1.67+1.67+1.67+4.32 (3.40-12.10)	11.00	2460 (610-2710)	11.29	10.80	10.35	4.47	A
1.8+1.8+1.8+2.5+2.5	10.4	1.47+1.47+1.47+2.04+2.04 (3.20-9.90)	8.50	2230 (600-3040)	10.24	9.79	9.39	3.81	A	1.92+1.92+1.92+2.62+2.62 (3.40-12.10)	11.00	2460 (610-2710)	11.29	10.80	10.35	4.47	A
1.8+1.8+1.8+2.5+3.5	11.4	1.34+1.34+1.34+1.86+2.62 (3.20-9.90)	8.50	2230 (600-3040)	10.24	9.79	9.39	3.81	A	1.81+1.81+1.81+2.46+3.12 (3.40-12.10)	11.00	2460 (610-2710)	11.29	10.80	10.35	4.47	A
1.8+1.8+1.8+2.5+5.0	12.9	1.19+1.19+1.19+1.65+3.28 (3.20-9.90)	8.50	2230 (600-3040)	10.24	9.79	9.39	3.81	A	1.58+1.58+1.58+2.15+4.10 (3.40-12.10)	11.00	2460 (610-2710)	11.29	10.80	10.35	4.47	A
1.8+1.8+1.8+3.5+3.5	12.4	1.22+1.22+1.22+2.41+2.41 (3.20-9.90)	8.50	2230 (600-3040)	10.24	9.79	9.39	3.81	A	1.71+1.70+1.70+2.95+2.95 (3.40-12.10)	11.00	2460 (610-2710)	11.29	10.80	10.35	4.47	A
1.8+1.8+1.8+3.5+5.0	13.9	1.10+1.10+1.10+2.14+3.04 (3.20-9.90)	8.50	2230 (600-3040)	10.24	9.79	9.39	3.81	A	1.50+1.50+1.50+2.58+3.89 (3.40-12.10)	11.00	2460 (610-2710)	11.29	10.80	10.35	4.47	A
1.8+1.8+1.8+5.0+5.0	15.4	1.00+1.00+1.00+2.75+2.75 (3.20-9.90)	8.50	2230 (600-3040)	10.24	9.79	9.39	3.81	A	1.34+1.34+1.34+3.49+3.49 (3.40-12.10)	11.00	2460 (610-2710)	11.29	10.80	10.35	4.47	A
1.8+1.8+2.5+2.5+2.5	11.1	1.39+1.39+1.90+1.90+1.90 (3.20-9.90)	8.50	2230 (600-3040)	10.24	9.79	9.39	3.81	A	1.81+1.81+2.45+2.45+2.45 (3.40-12.10)	11.00	2460 (610-2710)	11.29	10.80	10.35	4.47	A
1.8+1.8+2.5+2.5+3.5	12.1	1.26+1.26+1.76+1.76+2.46 (3.20-9.90)	8.50	2230 (600-3040)	10.24	9.79	9.39	3.81	A	1.71+1.71+2.32+2.32+2.94 (3.40-12.10)	11.00	2460 (610-2710)	11.29	10.80	10.35	4.47	A
1.8+1.8+2.5+2.5+5.0	13.6	1.13+1.13+1.56+1.56+3.14 (3.20-9.90)	8.50	2230 (600-3040)	10.24	9.79	9.39	3.81	A	1.50+1.50+2.04+2.04+3.92 (3.40-12.10)	11.00	2460 (610-2710)	11.29	10.80	10.35	4.47	A

FIVE UNITS

POSSIBLE COMBINATIONS TO OPERATE	COOLING									HEATING									
	TOTAL (kW)	CAPACITY RATING(kW) (RANGE)		OUTDOOR UNIT					ELK	Class	CAPACITY RATING(kW) (RANGE)		OUTDOOR UNIT					CO	Class
				TOTAL INPUT (W)	AMPERE(A)			TOTAL INPUT (W)					AMPERE(A) at 220V-240V						
					220V	230V	240V						220V	230V	240V				
1.8+1.8+2.5+3.5+3.5	13.1	1.17+1.17+1.62+2.27+2.27 (3.20-9.90)	8.50	2230 (600-3040)	10.24	9.79	9.39	3.81	A	1.62+1.62+2.20+2.78+2.78 (3.40-12.10)	11.00	2460 (610-2710)	11.29	10.80	10.35	4.47	A		
1.8+1.8+2.5+3.5+5.0	14.6	1.05+1.05+1.46+2.04+2.91 (3.20-9.90)	8.50	2230 (600-3040)	10.24	9.79	9.39	3.81	A	1.43+1.43+1.95+2.46+3.72 (3.40-12.10)	11.00	2460 (610-2710)	11.29	10.80	10.35	4.47	A		
1.8+1.8+3.5+3.5+3.5	14.1	1.11+1.11+2.10+2.10+2.10 (3.20-9.90)	8.50	2230 (600-3040)	10.24	9.79	9.39	3.81	A	1.54+1.56+2.63+2.63+2.63 (3.40-12.10)	11.00	2460 (610-2710)	11.29	10.80	10.35	4.47	A		
1.8+2.5+2.5+2.5+2.5	11.8	1.29+1.80+1.80+1.80+1.80 (3.20-9.90)	8.50	2230 (600-3040)	10.24	9.79	9.39	3.81	A	1.80+2.30+2.30+2.30+2.30 (3.40-12.10)	11.00	2460 (610-2710)	11.29	10.80	10.35	4.47	A		
1.8+2.5+2.5+2.5+3.5	12.8	1.19+1.66+1.66+1.66+2.32 (3.20-9.90)	8.50	2230 (600-3040)	10.24	9.79	9.39	3.81	A	1.60+2.20+2.20+2.20+2.80 (3.40-12.10)	11.00	2460 (610-2710)	11.29	10.80	10.35	4.47	A		
1.8+2.5+2.5+2.5+5.0	14.3	1.08+1.49+1.49+1.49+2.97 (3.20-9.90)	8.50	2230 (600-3040)	10.24	9.79	9.39	3.81	A	1.45+1.95+1.95+1.95+3.70 (3.40-12.10)	11.00	2460 (610-2710)	11.29	10.80	10.35	4.47	A		
1.8+2.5+2.5+3.5+3.5	13.8	1.12+1.54+1.54+2.16+2.16 (3.20-9.90)	8.50	2230 (600-3040)	10.24	9.79	9.39	3.81	A	1.54+2.09+2.09+2.64+2.64 (3.40-12.10)	11.00	2460 (610-2710)	11.29	10.80	10.35	4.47	A		
1.8+2.5+2.5+3.5+5.0	15.3	1.00+1.39+1.39+1.94+2.78 (3.20-9.90)	8.50	2230 (600-3040)	10.24	9.79	9.39	3.81	A	1.37+1.86+1.86+2.35+3.56 (3.40-12.10)	11.00	2460 (610-2710)	11.29	10.80	10.35	4.47	A		
1.8+2.5+3.5+3.5+3.5	14.8	1.03+1.44+2.01+2.01+2.01 (3.20-9.90)	8.50	2230 (600-3040)	10.24	9.79	9.39	3.81	A	1.45+1.99+2.55+2.55+2.55 (3.40-12.10)	11.00	2460 (610-2710)	11.29	10.80	10.35	4.47	A		
2.5+2.5+2.5+2.5+2.5	12.5	1.70+1.70+1.70+1.70+1.70 (3.20-9.90)	8.50	2230 (600-3040)	10.24	9.79	9.39	3.81	A	2.20+2.20+2.20+2.20+2.20 (3.40-12.10)	11.00	2460 (610-2710)	11.29	10.80	10.35	4.47	A		
2.5+2.5+2.5+2.5+3.5	13.5	1.57+1.57+1.57+1.57+2.19 (3.20-9.90)	8.50	2230 (600-3040)	10.24	9.79	9.39	3.81	A	2.09+2.09+2.09+2.09+2.64 (3.40-12.10)	11.00	2460 (610-2710)	11.29	10.80	10.35	4.47	A		
2.5+2.5+2.5+2.5+5.0	15.0	1.42+1.42+1.42+1.42+2.83 (3.20-9.90)	8.50	2230 (600-3040)	10.24	9.79	9.39	3.81	A	1.86+1.86+1.86+1.86+3.56 (3.40-12.10)	11.00	2460 (610-2710)	11.29	10.80	10.35	4.47	A		
2.5+2.5+2.5+3.5+3.5	14.5	1.48+1.48+1.48+2.04+2.04 (3.20-9.90)	8.50	2230 (600-3040)	10.24	9.79	9.39	3.81	A	2.00+2.00+2.00+2.50+2.50 (3.40-12.10)	11.00	2460 (610-2710)	11.29	10.80	10.35	4.47	A		
2.5+2.5+3.5+3.5+3.5	15.5	1.39+1.39+1.91+1.91+1.91 (3.20-9.90)	8.50	2230 (600-3040)	10.24	9.79	9.39	3.81	A	1.90+1.90+2.40+2.40+2.40 (3.40-12.10)	11.00	2460 (610-2710)	11.29	10.80	10.35	4.47	A		

FIVE UNITS

Indoor unit model	Nominal cooling capacity (kW)	Capacity (kW) at single unit operation		Suitable room size (m <sup>2</sup> ) At single unit operation	
		Cooling	Heating	Cooling	Heating
RAK-18QXB	1.8	1.00-2.00	1.10-3.20	8-12	9-11
RAK-25RXB	2.5	1.00-2.80	1.10-4.70	11-17	14-18
RAK-35RXB	3.5	1.00-3.90	1.10-5.80	16-24	17-22
RAK-50RXB	5.0	1.00-5.50	1.10-7.20	23-34	23-29
RAK-15QPB	1.5	1.00-2.20	1.10-2.20	8-12	9-11
RAK-18RPB	1.8	1.00-2.00	1.10-3.20	8-12	9-11
RAK-25RPB	2.5	1.00-2.80	1.10-4.70	11-17	14-18
RAK-35RPB	3.5	1.00-3.90	1.10-5.80	16-24	17-22
RAK-50RPB	5.0	1.00-5.50	1.10-7.20	23-34	23-29
RAF-25RXB	2.5	1.50-2.80	1.80-4.70	11-17	14-18
RAF-35RXB	3.5	1.50-3.90	1.80-5.80	16-24	17-22
RAF-50RXB	5.0	1.50-5.60	1.80-7.20	23-34	23-29
RAI-25QPB	2.5	1.00-2.80	1.10-4.70	11-17	14-18
RAI-35QPB	3.5	1.00-3.90	1.10-5.80	16-24	17-22
RAI-50QPB	5.0	1.00-5.50	1.10-7.20	23-34	23-29
RAD-18QPB	1.8	1.00-2.00	1.10-3.20	8-12	9-11
RAD-25QPB	2.5	1.00-2.80	1.10-4.70	11-17	14-18
RAD-35QPB	3.5	1.00-3.90	1.10-5.80	16-24	17-22
RAD-50QPB	5.0	1.00-5.50	1.10-7.20	23-34	23-29

\*Two, three, four or five indoor units can be installed with one outdoor unit.

\*One-unit values are for one unit operation with two indoors connected.

\*Total nominal cooling capacity should not be more than 15.5kW.

**3.5.8. RAM-110NP6B**

Whichever indoor units are installed, cooling and heating capacity depends on how many and which indoor units are operating at the same time.

POSSIBLE COMBINATIONS TO OPERATE	TOTAL (kW)	COOLING									HEATING							
		CAPACITY RATING (kW) (RANGE)		TOTAL	OUTDOOR UNIT			EER	Class	CAPACITY RATING (kW) (RANGE)		TOTAL	OUTDOOR UNIT			COP	Class	
					TOTAL INPUT (W)	AMPERE(A)							TOTAL INPUT (W)	AMPERE(A) at 220V-240V				
					220V	230V	240V				220V	230V	240V					
ONE UNIT	1.5	1.5	1.50 (1.00-2.20)	1.50	430 (200-480)	1.97	1.89	1.81	3.49	A	2.00 (1.10-2.20)	2.00	610 (200-650)	2.8	2.7	2.6	3.28	C
	1.8	1.8	1.80 (1.00-2.00)	1.80	495 (200-750)	2.27	2.17	2.08	3.64	A	2.50 (1.10-3.20)	2.50	690 (200-1050)	3.2	3.0	2.9	3.62	A
	2.5	2.5	2.50 (1.00-2.80)	2.50	700 (200-980)	3.21	3.07	2.95	3.57	A	3.90 (1.10-4.70)	3.90	1060 (200-1380)	4.9	4.7	4.5	3.68	A
	3.5	3.5	3.50 (1.00-3.90)	3.50	1030 (200-1280)	4.73	4.52	4.34	3.40	A	4.80 (1.10-5.80)	4.80	1320 (200-1870)	6.1	5.8	5.6	3.64	A
	5.0	5.0	5.00 (1.00-5.50)	5.00	1510 (200-1660)	6.93	6.63	6.36	3.31	A	6.50 (1.10-7.20)	6.50	1800 (200-2010)	8.3	7.9	7.6	3.61	A
TWO UNITS	1.5+1.5	3.0	1.50+1.50 (1.50-3.90)	3.00	920 (200-1000)	4.22	4.04	3.87	3.26	A	2.00+2.00 (1.50-4.70)	4.00	1060 (200-1380)	4.9	4.7	4.5	3.77	A
	1.5+1.8	3.3	1.50+1.80 (1.50-3.90)	3.30	1020 (200-1300)	4.68	4.48	4.29	3.24	A	2.00+2.50 (1.50-5.20)	4.50	1250 (200-1870)	5.7	5.5	5.3	3.60	A
	1.5+2.5	4.0	1.50+2.50 (1.50-4.50)	4.00	1180 (200-1250)	5.42	5.18	4.97	3.39	A	2.00+3.90 (1.50-6.50)	5.90	1620 (200-2010)	7.4	7.1	6.8	3.64	A
	1.5+3.5	5.0	1.50+3.50 (1.50-5.90)	5.00	1480 (200-1660)	6.80	6.50	6.23	3.38	A	2.00+4.80 (1.50-7.20)	6.80	1820 (200-2010)	8.4	8.0	7.7	3.74	A
	1.5+5.0	6.5	1.22+4.08 (1.50-5.90)	5.30	1600 (200-1660)	7.35	7.03	6.73	3.31	A	1.60+5.20 (1.50-7.20)	6.80	1820 (200-2010)	8.4	8.0	7.7	3.74	A
	1.8+1.8	3.6	1.80+1.80 (1.50-4.00)	3.60	1080 (200-1300)	4.96	4.74	4.55	3.33	A	2.50+2.50 (1.50-5.20)	5.00	1290 (200-1550)	5.9	5.7	5.4	3.88	A
	1.8+2.5	4.3	1.80+2.50 (1.50-4.60)	4.30	1280 (200-1450)	5.88	5.62	5.39	3.36	A	2.50+3.90 (1.50-6.30)	6.40	1700 (200-1920)	7.8	7.5	7.2	3.76	A
	1.8+3.5	5.3	1.80+3.50 (1.50-5.60)	5.30	1600 (200-1660)	7.35	7.03	6.73	3.31	A	2.33+4.47 (1.50-7.20)	6.80	1850 (200-2010)	8.5	8.1	7.8	3.68	A
	1.8+5.0	6.8	1.40+3.90 (1.50-5.90)	5.30	1600 (200-1660)	7.35	7.03	6.73	3.31	A	1.80+5.00 (1.50-7.20)	6.80	1820 (200-2010)	8.4	8.0	7.7	3.74	A
	2.5+2.5	5.0	2.50+2.50 (1.50-5.60)	5.00	1470 (200-1660)	6.75	6.46	6.19	3.40	A	3.40+3.40 (1.50-7.20)	6.80	1820 (200-2010)	8.4	8.0	7.7	3.74	A
	2.5+3.5	6.0	2.21+3.09 (1.50-5.70)	5.30	1600 (200-1660)	7.3	7.0	6.7	3.31	A	2.83+3.97 (1.50-7.20)	6.80	1820 (200-2010)	8.4	8.0	7.7	3.74	A
	3.5+3.5	7.0	2.65+2.65 (1.50-5.90)	5.30	1600 (200-1660)	7.3	7.0	6.7	3.31	A	3.40+3.40 (1.50-7.20)	6.80	1790 (200-2010)	8.2	7.9	7.5	3.80	A
	2.5+5.0	7.5	1.77+3.53 (1.50-5.90)	5.30	1600 (200-1660)	7.3	7.0	6.7	3.31	A	2.55+4.25 (1.50-7.20)	6.80	1790 (200-2010)	8.2	7.9	7.5	3.80	A
3.5+5.0	8.5	2.18+3.12 (1.50-6.60)	5.30	1600 (200-1660)	7.3	7.0	6.7	3.31	A	2.89+3.91 (1.50-7.20)	6.80	1790 (200-2010)	8.2	7.9	7.5	3.80	A	



POSSIBLE COMBINATIONS TO OPERATE	TOTAL (kW)	COOLING									HEATING						
		CAPACITY RATING (kW) (RANGE)		TOTAL	OUTDOOR UNIT			EER	Class	CAPACITY RATING (kW) (RANGE)		TOTAL	OUTDOOR UNIT			COP	Class
					TOTAL INPUT (W)	AMPERE(A)							TOTAL INPUT (W)	AMPERE(A)			
					220V	230V	240V				220V	230V	240V				
1.5+1.5+1.5	4.5	1.50+1.50+1.50 (1.50-5.00)	4.50	1370 (200-1680)	6.3	6.0	5.8	3.28	A	2.00+2.00+2.00 (1.50-6.20)	6.00	1680 (200-1550)	7.7	7.4	7.1	3.57	B
1.5+1.5+1.8	4.8	1.50+1.50+1.80 (1.50-6.00)	4.80	1470 (200-1680)	6.7	6.5	6.2	3.27	A	2.00+2.00+2.50 (1.50-6.60)	6.50	1740 (200-1760)	8.0	7.6	7.3	3.74	A
1.5+1.5+2.5	5.5	1.45+1.45+2.41 (1.50-6.00)	5.30	1600 (200-1660)	7.3	7.0	6.7	3.31	A	1.72+1.72+3.36 (1.50-7.20)	6.80	1800 (200-1860)	8.3	7.9	7.6	3.78	A
1.5+1.5+3.5	6.5	1.22+1.22+2.85 (1.50-6.00)	5.30	1600 (200-1680)	7.3	7.0	6.7	3.31	A	1.55+1.55+3.71 (1.50-7.20)	6.80	1800 (200-1860)	8.3	7.9	7.6	3.78	A
1.5+1.5+5.0	8.0	0.99+0.99+3.31 (1.50-6.00)	5.30	1600 (200-1680)	7.3	7.0	6.7	3.31	A	1.30+1.30+4.21 (1.50-7.20)	6.80	1800 (200-1860)	8.3	7.9	7.6	3.78	A
1.5+1.8+1.8	5.1	1.50+1.80+1.80 (1.50-6.00)	5.10	1550 (200-1660)	7.1	6.8	6.5	3.29	A	1.94+2.43+2.43 (1.50-7.20)	6.80	1800 (200-1860)	8.3	7.9	7.6	3.78	A
1.5+1.8+2.5	5.8	1.37+1.64+2.28 (1.50-6.00)	5.30	1600 (200-1680)	7.3	7.0	6.7	3.31	A	1.62+2.02+3.16 (1.50-7.20)	6.80	1800 (200-1860)	8.3	7.9	7.6	3.78	A
1.5+1.8+3.5	6.8	1.17+1.40+2.73 (1.50-6.00)	5.30	1600 (200-1680)	7.3	7.0	6.7	3.31	A	1.46+1.83+3.51 (1.50-7.20)	6.80	1800 (200-1860)	8.3	7.9	7.6	3.78	A
1.5+1.8+5.0	8.3	0.96+1.15+3.19 (1.50-6.00)	5.30	1600 (200-1680)	7.3	7.0	6.7	3.31	A	1.24+1.55+4.02 (1.50-7.20)	6.80	1800 (200-1860)	8.3	7.9	7.6	3.78	A
1.5+2.5+2.5	6.5	1.22+2.04+2.04 (1.50-6.00)	5.30	1600 (200-1680)	7.3	7.0	6.7	3.31	A	1.39+2.71+2.71 (1.50-7.20)	6.80	1800 (200-1860)	8.3	7.9	7.6	3.78	A
1.5+2.5+3.5	7.5	1.06+1.77+2.47 (1.50-6.00)	5.30	1600 (200-1680)	7.3	7.0	6.7	3.31	A	1.27+2.48+3.05 (1.50-7.20)	6.80	1800 (200-1860)	8.3	7.9	7.6	3.78	A
1.5+3.5+3.5	8.5	0.94+2.18+2.18 (1.50-6.00)	5.30	1600 (200-1680)	7.3	7.0	6.7	3.31	A	1.17+2.81+2.81 (1.50-7.20)	6.80	1800 (200-1860)	8.3	7.9	7.6	3.78	A
1.8+1.8+1.8	5.4	1.77+1.77+1.77 (1.50-6.00)	5.30	1600 (200-1680)	7.3	7.0	6.7	3.31	A	2.27+2.27+2.27 (1.50-7.20)	6.80	1800 (200-1860)	8.3	8.0	7.6	3.78	A
1.8+1.8+2.5	6.1	1.56+1.56+2.17 (1.50-6.40)	5.30	1600 (200-1680)	7.3	7.0	6.7	3.31	A	1.91+1.91+2.98 (1.50-7.20)	6.80	1800 (200-1860)	8.3	8.0	7.6	3.78	A
1.8+1.8+3.5	7.1	1.34+1.34+2.61 (1.50-6.60)	5.30	1600 (200-1680)	7.3	7.0	6.7	3.31	A	1.73+1.73+3.33 (1.50-7.20)	6.80	1800 (200-1860)	8.3	8.0	7.6	3.78	A
1.8+1.8+5.0	8.6	1.11+1.11+3.08 (1.50-6.60)	5.30	1600 (200-1680)	7.3	7.0	6.7	3.31	A	1.48+1.48+3.84 (1.50-7.20)	6.80	1800 (200-1860)	8.3	8.0	7.6	3.78	A
1.8+2.5+2.5	6.8	1.40+1.95+1.95 (1.50-6.60)	5.30	1600 (200-1680)	7.3	7.0	6.7	3.31	A	1.65+2.57+2.57 (1.50-7.20)	6.80	1800 (200-1860)	8.3	8.0	7.6	3.78	A
1.8+2.5+3.5	7.8	1.22+1.70+2.38 (1.50-6.60)	5.30	1600 (200-1680)	7.3	7.0	6.7	3.31	A	1.52+2.37+2.91 (1.50-7.20)	6.80	1800 (200-1860)	8.3	8.0	7.6	3.78	A
1.8+3.5+3.5	8.8	1.08+2.11+2.11 (1.50-6.60)	5.30	1600 (200-1680)	7.3	7.0	6.7	3.31	A	1.40+2.70+2.70 (1.50-7.20)	6.80	1800 (200-1860)	8.3	8.0	7.6	3.78	A
2.5+2.5+2.5	7.5	1.77+1.77+1.77 (1.50-6.60)	5.30	1600 (200-1680)	7.3	7.0	6.7	3.31	A	2.27+2.27+2.27 (1.50-7.20)	6.80	1800 (200-1860)	8.3	8.0	7.6	3.78	A
2.5+2.5+3.5	8.5	1.56+1.56+2.18 (1.50-6.60)	5.30	1600 (200-1680)	7.3	7.0	6.7	3.31	A	2.00+2.00+2.80 (1.50-7.20)	6.80	1800 (200-1860)	8.3	8.0	7.6	3.78	A

THREE UNITS

POSSIBLE COMBINATIONS TO OPERATE	TOTAL (kW)	COOLING									HEATING						
		CAPACITY RATING (kW) (RANGE)		OUTDOOR UNIT			EER	Class	CAPACITY RATING (kW) (RANGE)		OUTDOOR UNIT			COP	Class		
				TOTAL INPUT (W)	AMPERE(A)						TOTAL INPUT (W)	AMPERE(A)					
		TOTAL	220V	230V	240V	TOTAL	220V	230V	240V	TOTAL	220V	230V	240V				
1.5+1.5+1.5+1.5	6.0	1.50+1.50+ 1.50+1.50 (1.5-7.8)	6.00	1840 (200 - 2000)	8.4	8.1	7.7	3.26	A	2.00+2.00+ 2.00+2.00 (1.5-9.4)	8.00	2120 (200 - 2760)	9.7	9.3	8.9	3.77	A
1.5+1.5+1.5+1.8	6.3	1.50+1.50+ 1.50+1.80 (1.5-7.8)	6.30	1940 (200 - 2300)	8.9	8.5	8.2	3.25	A	2.00+2.00+ 2.00+2.50 (1.5-9.9)	8.50	2310 (200 - 3250)	10.6	10.1	9.7	3.68	A
1.5+1.5+1.5+2.5	7.0	1.50+1.50+ 1.50+2.50 (1.5-8.4)	7.00	2100 (200 - 2250)	9.6	9.2	8.8	3.33	A	2.00+2.00+ 2.00+3.90 (1.5-11.2)	9.90	2680 (200 - 3390)	12.3	11.8	11.3	3.69	A
1.5+1.5+1.5+3.5	8.0	1.50+1.50+ 1.50+3.50 (1.5-9.8)	8.00	2400 (200 - 2660)	11.0	10.5	10.1	3.33	A	2.00+2.00+ 2.00+4.80 (1.5-11.9)	10.80	2880 (200 - 3390)	13.2	12.6	12.1	3.75	A
1.5+1.5+1.5+5.0	9.5	1.50+1.50+ 1.22+4.08 (1.5-9.8)	8.30	2520 (200 - 2660)	11.6	11.1	10.6	3.29	A	2.00+2.00+ 1.60+5.20 (1.5-11.9)	10.80	2880 (200 - 3390)	13.2	12.6	12.1	3.75	A
1.5+1.5+1.8+2.5	7.3	1.50+1.50+ 1.80+2.50 (1.5-8.5)	7.30	2200 (200 - 2450)	10.1	9.7	9.3	3.32	A	2.00+2.00+ 2.50+3.90 (1.5-11)	10.40	2760 (200 - 3300)	12.7	12.1	11.6	3.77	A
1.5+1.5+1.8+3.5	8.3	1.50+1.50+ 1.80+3.50 (1.5-9.5)	8.30	2520 (200 - 2660)	11.6	11.1	10.6	3.29	A	2.00+2.00+ 2.33+4.47 (1.5-11.9)	10.80	2910 (200 - 3390)	13.4	12.8	12.2	3.71	A
1.5+1.5+1.8+5.0	9.8	1.50+1.50+ 1.40+3.90 (1.5-9.8)	8.30	2520 (200 - 2660)	11.6	11.1	10.6	3.29	A	2.00+2.00+ 1.80+5.00 (1.5-11.9)	10.80	2880 (200 - 3390)	13.2	12.6	12.1	3.75	A
1.5+1.5+2.5+3.5	9.0	1.50+1.50+ 2.21+3.09 (1.5-9.6)	8.30	2520 (200 - 2660)	11.6	11.1	10.6	3.29	A	2.00+2.00+ 2.83+3.97 (1.5-11.9)	10.80	2880 (200 - 3390)	13.2	12.6	12.1	3.75	A
1.5+1.5+2.5+5.0	10.5	1.50+1.50+ 1.77+3.53 (1.5-9.8)	8.30	2520 (200 - 2660)	11.6	11.1	10.6	3.29	A	2.00+2.00+ 2.55+4.25 (1.5-11.9)	10.80	2850 (200 - 3390)	13.1	12.5	12.0	3.79	A
1.5+1.5+3.5+5.0	11.5	1.50+1.50+ 2.18+3.12 (1.5-10.5)	8.30	2520 (200 - 2660)	11.6	11.1	10.6	3.29	A	2.00+2.00+ 2.89+3.91 (1.5-11.9)	10.80	2850 (200 - 3390)	13.1	12.5	12.0	3.79	A
1.5+1.8+1.5+1.8	6.6	1.50+1.80+ 1.50+1.80 (1.5-7.8)	6.60	2040 (200 - 2600)	9.4	9.0	8.6	3.24	A	2.00+2.50+ 2.00+2.50 (1.5-10.4)	9.00	2850 (200 - 3740)	13.1	12.5	12.0	3.16	D
1.5+1.8+1.8+1.8	6.9	1.50+1.80+ 1.80+1.80 (1.5-7.9)	6.90	2100 (200 - 2600)	9.6	9.2	8.8	3.29	A	2.00+2.50+ 2.50+2.50 (1.5-10.4)	9.50	2350 (200 - 3420)	10.8	10.3	9.9	4.04	A
1.5+1.8+1.8+2.5	7.6	1.50+1.80+ 1.80+2.50 (1.5-8.5)	7.60	2300 (200 - 2750)	10.6	10.1	9.7	3.30	A	2.00+2.50+ 2.50+3.90 (1.5-11.5)	10.90	2760 (200 - 3790)	12.7	12.1	11.6	3.95	A
1.5+1.8+1.8+3.5	8.6	1.50+1.80+ 1.80+3.50 (1.5-9.5)	8.60	2620 (200 - 2960)	12.0	11.5	11.0	3.28	A	2.00+2.50+ 2.33+4.47 (1.5-12.4)	11.30	2910 (200 - 3880)	13.4	12.8	12.2	3.88	A
1.5+1.8+1.8+5.0	10.1	1.50+1.80+ 1.40+3.90 (1.5-9.8)	8.60	2620 (200 - 2960)	12.0	11.5	11.0	3.28	A	2.00+2.50+ 1.80+5.00 (1.5-12.4)	11.30	2880 (200 - 3880)	13.2	12.6	12.1	3.92	A
1.5+1.8+2.5+2.5	8.3	1.50+1.80+ 2.50+2.50 (1.5-9.5)	8.30	2490 (200 - 2960)	11.4	10.9	10.5	3.33	A	2.00+2.50+ 3.40+3.40 (1.5-12.4)	11.30	2880 (200 - 3880)	13.2	12.6	12.1	3.92	A
1.5+1.8+2.5+3.5	9.3	1.50+1.80+ 2.21+3.09 (1.5-9.6)	8.60	2620 (200 - 2960)	12.0	11.5	11.0	3.28	A	2.00+2.50+ 2.83+3.97 (1.5-12.4)	11.30	2880 (200 - 3880)	13.2	12.6	12.1	3.92	A
1.5+1.8+2.5+5.0	10.8	1.50+1.80+ 1.77+3.53 (1.5-9.8)	8.60	2620 (200 - 2960)	12.0	11.5	11.0	3.28	A	2.00+2.50+ 2.55+4.25 (1.5-12.4)	11.30	2850 (200 - 3880)	13.1	12.5	12.0	3.96	A
1.5+1.8+3.5+3.5	10.3	1.50+1.80+ 2.65+2.65 (1.5-9.8)	8.60	2620 (200 - 2960)	12.0	11.5	11.0	3.28	A	2.00+2.50+ 3.40+3.40 (1.5-12.4)	11.30	2850 (200 - 3880)	13.1	12.5	12.0	3.96	A
1.5+1.8+3.5+5.0	11.8	1.50+1.80+ 2.18+3.12 (1.5-10.5)	8.60	2620 (200 - 2960)	12.0	11.5	11.0	3.28	A	2.00+2.50+ 2.89+3.91 (1.5-12.4)	11.30	2850 (200 - 3880)	13.1	12.5	12.0	3.96	A

FOUR UNITS

POSSIBLE COMBINATIONS TO OPERATE	TOTAL (kW)	COOLING									HEATING						
		CAPACITY RATING (kW) (RANGE)		TOTAL	OUTDOOR UNIT			ELF	Class	CAPACITY RATING (kW) (RANGE)		TOTAL	OUTDOOR UNIT			COP	Class
					TOTAL INPUT (W)	AMPERE(A)							TOTAL INPUT (W)	AMPERE(A)			
					220V	230V	240V				220V	230V	240V				
1.5+2.5+1.5+2.5	8.0	1.50+2.50+ 1.50+2.50 (1.5-9)	8.00	2360 (200 ~ 2500)	10.8	10.4	9.9	3.39	A	2.00+3.90+ 2.00+3.90 (1.5-13)	11.80	3240 (200 ~ 4020)	14.9	14.2	13.6	3.64	A
1.5+2.5+2.5+2.5	9.0	1.50+2.50+ 2.50+2.50 (1.5-10.1)	9.00	2650 (200 ~ 2910)	12.2	11.6	11.2	3.40	A	2.00+3.90+ 3.40+3.40 (1.5-13.7)	12.70	3440 (200 ~ 4020)	15.8	15.1	14.5	3.69	A
1.5+2.5+2.5+3.5	10.0	1.50+2.50+ 2.21+3.09 (1.5-10.2)	9.30	2780 (200 ~ 2910)	12.8	12.2	11.7	3.35	A	2.00+3.90+ 2.83+3.97 (1.5-13.7)	12.70	3440 (200 ~ 4020)	15.8	15.1	14.5	3.69	A
1.5+2.5+2.5+5.0	11.5	1.50+2.50+ 1.77+3.53 (1.5-10.4)	9.30	2780 (200 ~ 2910)	12.8	12.2	11.7	3.35	A	2.00+3.90+ 2.55+4.25 (1.5-13.7)	12.70	3410 (200 ~ 4020)	15.7	15.0	14.4	3.72	A
1.5+2.5+3.5+3.5	11.0	1.50+2.50+ 2.65+2.65 (1.5-10.4)	9.30	2780 (200 ~ 2910)	12.8	12.2	11.7	3.35	A	2.00+3.90+ 3.40+3.40 (1.5-13.7)	12.70	3410 (200 ~ 4020)	15.7	15.0	14.4	3.72	A
1.5+2.5+3.5+5.0	12.5	1.50+2.50+ 2.18+3.12 (1.5-11.1)	9.30	2780 (200 ~ 2910)	12.8	12.2	11.7	3.35	A	2.00+3.90+ 2.89+3.91 (1.5-13.7)	12.70	3410 (200 ~ 4020)	15.7	15.0	14.4	3.72	A
1.5+3.5+1.5+3.5	10.0	1.50+3.50+ 1.50+3.50 (1.5-11.8)	10.00	2960 (200 ~ 3320)	13.6	13.0	12.5	3.38	A	2.00+4.80+ 2.00+4.80 (1.5-14.4)	13.60	3640 (200 ~ 4020)	16.7	16.0	15.3	3.74	A
1.5+3.5+3.5+3.5	12.0	1.50+3.50+ 2.65+2.65 (1.5-11.8)	10.30	3080 (200 ~ 3320)	14.1	13.5	13.0	3.34	A	2.00+4.80+ 3.40+3.40 (1.5-14.4)	13.60	3610 (200 ~ 4020)	16.6	15.9	15.2	3.77	A
1.5+3.5+3.5+5.0	13.5	1.50+3.50+ 2.18+3.12 (1.5-12.5)	10.30	3080 (200 ~ 3320)	14.1	13.5	13.0	3.34	A	2.00+4.80+ 2.89+3.91 (1.5-14.4)	13.60	3610 (200 ~ 4020)	16.6	15.9	15.2	3.77	A
1.5+5.0+1.5+5.0	13.0	1.22+4.08+ 1.22+4.08 (1.5-11.8)	10.60	3200 (200 ~ 3320)	14.7	14.1	13.5	3.31	A	1.60+5.20+ 1.60+5.20 (1.5-14.4)	13.60	3640 (200 ~ 4020)	16.7	16.0	15.3	3.74	A
1.8+1.8+1.8+1.8	7.2	1.80+1.80+ 1.80+1.80 (1.5-8)	7.20	2160 (200 ~ 2600)	9.9	9.5	9.1	3.33	A	2.50+2.50+ 2.50+2.50 (1.5-10.4)	10.00	2580 (200 ~ 3100)	11.8	11.3	10.9	3.88	A
1.8+1.8+1.8+2.5	7.9	1.80+1.80+ 1.80+2.50 (1.5-8.6)	7.90	2360 (200 ~ 2750)	10.8	10.4	9.9	3.35	A	2.50+2.50+ 2.50+3.90 (1.5-11.5)	11.40	2990 (200 ~ 3470)	13.7	13.1	12.6	3.81	A
1.8+2.5+1.8+2.5	8.6	1.80+2.50+ 1.80+2.50 (1.5-9.2)	8.60	2560 (200 ~ 2900)	11.8	11.2	10.8	3.36	A	2.50+3.90+ 2.50+3.90 (1.5-12.6)	12.80	3400 (200 ~ 3840)	15.6	14.9	14.3	3.76	A
1.8+1.8+1.8+3.5	8.9	1.80+1.80+ 1.80+3.50 (1.5-9.6)	8.90	2680 (200 ~ 2960)	12.3	11.8	11.3	3.32	A	2.50+2.50+ 2.33+4.47 (1.5-12.4)	11.80	3140 (200 ~ 3560)	14.4	13.8	13.2	3.76	A
1.8+2.5+1.8+3.5	9.6	1.80+2.50+ 1.80+3.50 (1.5-10.2)	9.60	2880 (200 ~ 3110)	13.2	12.6	12.1	3.33	A	2.50+3.90+ 2.33+4.47 (1.5-13.5)	13.20	3550 (200 ~ 3930)	16.3	15.6	14.9	3.72	A
1.8+1.8+1.8+5.0	10.4	1.80+1.80+ 1.40+3.90 (1.5-9.9)	8.90	2680 (200 ~ 2960)	12.3	11.8	11.3	3.32	A	2.50+2.50+ 1.80+5.00 (1.5-12.4)	11.80	3110 (200 ~ 3560)	14.3	13.7	13.1	3.79	A
1.8+2.5+1.8+5.0	11.1	1.80+2.50+ 1.40+3.90 (1.5-10.5)	9.60	2880 (200 ~ 3110)	13.2	12.6	12.1	3.33	A	2.50+3.90+ 1.80+5.00 (1.5-13.5)	13.20	3520 (200 ~ 3930)	16.2	15.5	14.8	3.75	A
1.8+3.5+1.8+3.5	10.6	1.80+3.50+ 1.80+3.50 (1.5-11.2)	10.60	3200 (200 ~ 3320)	14.7	14.1	13.5	3.31	A	2.33+4.47+ 2.33+4.47 (1.5-14.4)	13.60	3700 (200 ~ 4020)	17.0	16.2	15.6	3.68	A
1.8+3.5+1.8+5.0	12.1	1.80+3.50+ 1.40+3.90 (1.5-11.5)	10.60	3200 (200 ~ 3320)	14.7	14.1	13.5	3.31	A	2.33+4.47+ 1.80+5.00 (1.5-14.4)	13.60	3670 (200 ~ 4020)	16.9	16.1	15.4	3.71	A
1.8+5.0+1.8+5.0	13.6	1.40+3.90+ 1.40+3.90 (1.5-11.8)	10.60	3200 (200 ~ 3320)	14.7	14.1	13.5	3.31	A	1.80+5.00+ 1.80+5.00 (1.5-14.4)	13.60	3640 (200 ~ 4020)	16.7	16.0	15.3	3.74	A
1.8+2.5+2.5+2.5	9.3	1.80+2.50+ 2.50+2.50 (1.5-10.2)	9.30	2750 (200 ~ 3110)	12.6	12.1	11.6	3.38	A	2.50+3.90+ 3.40+3.40 (1.5-13.5)	13.20	3520 (200 ~ 3930)	16.2	15.5	14.8	3.75	A

FOUR UNITS

POSSIBLE COMBINATIONS TO OPERATE	TOTAL (kW)	COOLING									HEATING							
		CAPACITY RATING (kW) (RANGE)		OUTDOOR UNIT						EER	Class	CAPACITY RATING (kW) (RANGE)		OUTDOOR UNIT			COP	Class
				TOTAL	TOTAL INPUT (W)	AMPERE(A)			TOTAL INPUT (W)					AMPERE(A)				
		220V	230V			240V	220V	230V		240V								
1.8+5.0+2.5+2.5	11.8	1.40+3.90+ 2.50+2.50 (1.5~11.5)	10.30	3070 (200 ~ 3320)	14.1	13.5	12.9	3.36	A	1.80+5.00+ 3.40+3.40 (1.5~14.4)	13.60	3640 (200 ~ 4020)	16.7	16.0	15.3	3.74	A	
1.8+3.5+2.5+2.5	10.3	1.80+3.50+ 2.50+2.50 (1.5~11.2)	10.30	3070 (200 ~ 3320)	14.1	13.5	12.9	3.36	A	2.33+4.47+ 3.40+3.40 (1.5~14.4)	13.60	3670 (200 ~ 4020)	16.9	16.1	15.4	3.71	A	
1.8+3.5+2.5+3.5	11.3	1.80+3.50+ 2.21+3.09 (1.5~11.3)	10.60	3200 (200 ~ 3320)	14.7	14.1	13.5	3.31	A	2.33+4.47+ 2.83+3.97 (1.5~14.4)	13.60	3670 (200 ~ 4020)	16.9	16.1	15.4	3.71	A	
1.8+5.0+2.5+3.5	12.8	1.40+3.90+ 2.21+3.09 (1.5~11.6)	10.60	3200 (200 ~ 3320)	14.7	14.1	13.5	3.31	A	1.80+5.00+ 2.83+3.97 (1.5~14.4)	13.60	3640 (200 ~ 4020)	16.7	16.0	15.3	3.74	A	
1.8+5.0+2.5+5.0	14.3	1.40+3.90+ 1.77+3.53 (1.5~11.8)	10.60	3200 (200 ~ 3320)	14.7	14.1	13.5	3.31	A	1.80+5.00+ 2.55+4.25 (1.5~14.4)	13.60	3610 (200 ~ 4020)	16.6	15.9	15.2	3.77	A	
1.8+3.5+3.5+3.5	12.3	1.80+3.50+ 2.65+2.65 (1.5~11.5)	10.60	3200 (200 ~ 3320)	14.7	14.1	13.5	3.31	A	2.33+4.47+ 3.40+3.40 (1.5~14.4)	13.60	3640 (200 ~ 4020)	16.7	16.0	15.3	3.74	A	
1.8+5.0+3.5+3.5	13.8	1.40+3.90+ 2.65+2.65 (1.5~11.8)	10.60	3200 (200 ~ 3320)	14.7	14.1	13.5	3.31	A	1.80+5.00+ 3.40+3.40 (1.5~14.4)	13.60	3610 (200 ~ 4020)	16.6	15.9	15.2	3.77	A	
1.8+5.0+3.5+5.0	15.3	1.40+3.90+ 2.18+3.12 (1.5~12.5)	10.60	3200 (200 ~ 3320)	14.7	14.1	13.5	3.31	A	1.80+5.00+ 2.89+3.91 (1.5~14.4)	13.60	3610 (200 ~ 4020)	16.6	15.9	15.2	3.77	A	
2.5+2.5+2.5+2.5	10.0	2.50+2.50+ 2.50+2.50 (1.5~11.2)	10.00	2940 (200 ~ 3320)	13.5	12.9	12.4	3.40	A	3.40+3.40+ 3.40+3.40 (1.5~14.4)	13.60	3640 (200 ~ 4020)	16.7	16.0	15.3	3.74	A	
2.5+2.5+2.5+3.5	11.0	2.50+2.50+ 2.21+3.09 (1.5~11.3)	10.30	3070 (200 ~ 3320)	14.1	13.5	12.9	3.36	A	3.40+3.40+ 2.83+3.97 (1.5~14.4)	13.60	3640 (200 ~ 4020)	16.7	16.0	15.3	3.74	A	
2.5+2.5+2.5+5.0	12.5	2.50+2.50+ 1.77+3.53 (1.5~11.5)	10.30	3070 (200 ~ 3320)	14.1	13.5	12.9	3.36	A	3.40+3.40+ 2.55+4.25 (1.5~14.4)	13.60	3610 (200 ~ 4020)	16.6	15.9	15.2	3.77	A	
2.5+3.5+2.5+3.5	12.0	2.21+3.09+ 2.21+3.09 (1.5~11.4)	10.60	3200 (200 ~ 3320)	14.7	14.1	13.5	3.31	A	2.83+3.97+ 2.83+3.97 (1.5~14.4)	13.60	3640 (200 ~ 4020)	16.7	16.0	15.3	3.74	A	
2.5+5.0+2.5+3.5	13.5	1.77+3.53+ 2.21+3.09 (1.5~11.6)	10.60	3200 (200 ~ 3320)	14.7	14.1	13.5	3.31	A	2.55+4.25+ 2.83+3.97 (1.5~14.4)	13.60	3610 (200 ~ 4020)	16.6	15.9	15.2	3.77	A	
2.5+5.0+2.5+5.0	15.0	1.77+3.53+ 1.77+3.53 (1.5~11.8)	10.60	3200 (200 ~ 3320)	14.7	14.1	13.5	3.31	A	2.55+4.25+ 2.55+4.25 (1.5~14.4)	13.60	3580 (200 ~ 4020)	16.4	15.7	15.1	3.80	A	
2.5+3.5+3.5+3.5	13.0	2.21+3.09+ 2.65+2.65 (1.5~11.6)	10.60	3200 (200 ~ 3320)	14.7	14.1	13.5	3.31	A	2.83+3.97+ 3.40+3.40 (1.5~14.4)	13.60	3610 (200 ~ 4020)	16.6	15.9	15.2	3.77	A	
2.5+5.0+3.5+3.5	14.5	1.77+3.53+ 2.65+2.65 (1.5~11.8)	10.60	3200 (200 ~ 3320)	14.7	14.1	13.5	3.31	A	2.55+4.25+ 3.40+3.40 (1.5~14.4)	13.60	3580 (200 ~ 4020)	16.4	15.7	15.1	3.80	A	
3.5+3.5+3.5+3.5	14.0	2.65+2.65+ 2.65+2.65 (1.5~11.8)	10.60	3200 (200 ~ 3320)	14.7	14.1	13.5	3.31	A	3.40+3.40+ 3.40+3.40 (1.5~14.4)	13.60	3580 (200 ~ 4020)	16.4	15.7	15.1	3.80	A	
3.5+3.5+3.5+5.0	15.5	2.65+2.65+ 2.18+3.12 (1.5~12.5)	10.60	3200 (200 ~ 3320)	14.7	14.1	13.5	3.31	A	3.40+3.40+ 2.89+3.91 (1.5~14.4)	13.60	3580 (200 ~ 4020)	16.4	15.7	15.1	3.80	A	
3.5+5.0+3.5+5.0	17.0	2.18+3.12+ 2.18+3.12 (1.5~13.2)	10.60	3200 (200 ~ 3320)	14.7	14.1	13.5	3.31	A	2.89+3.91+ 2.89+3.91 (1.5~14.4)	13.60	3580 (200 ~ 4020)	16.4	15.7	15.1	3.80	A	

FOUR UNITS

POSSIBLE COMBINATIONS TO OPERATE	TOTAL (kW)	COOLING									HEATING						
		CAPACITY RATING (kW) (RANGE)		TOTAL	OUTDOOR UNIT			ELC	Class	CAPACITY RATING (kW) (RANGE)		TOTAL	OUTDOOR UNIT			COP	Class
					TOTAL INPUT (W)	AMPERE(A)							TOTAL INPUT (W)	AMPERE(A)			
		220V	230V	240V	220V	230V	240V	220V	230V	240V							
1.5+1.5+1.5+1.5+1.5	7.5	1.50+1.50+1.50+1.50+1.50 (1.5-8.9)	7.50	2290 (200 ~ 2680)	10.5	10.1	9.6	3.28	A	2.00+2.00+2.00+2.00+2.00 (1.5-10.9)	10.00	2740 (200 ~ 2930)	12.6	12.0	11.5	3.65	A
1.5+1.5+1.5+1.8	7.8	1.50+1.50+1.50+1.80 (1.5-9.9)	7.80	2390 (200 ~ 2680)	11.0	10.5	10.1	3.26	A	2.00+2.00+2.00+2.00+2.50 (1.5-11.3)	10.50	2800 (200 ~ 3140)	12.9	12.3	11.8	3.75	A
1.5+1.5+1.5+1.5+2.5	8.5	1.50+1.50+1.45+1.45+2.41 (1.5-9.9)	8.30	2520 (200 ~ 2660)	11.6	11.1	10.6	3.29	A	2.00+2.00+1.72+1.72+3.36 (1.5-11.9)	10.80	2860 (200 ~ 3240)	13.1	12.6	12.0	3.78	A
1.5+1.5+1.5+1.5+3.5	9.5	1.50+1.50+1.22+1.22+2.85 (1.5-9.9)	8.30	2520 (200 ~ 2680)	11.6	11.1	10.6	3.29	A	2.00+2.00+1.55+1.55+3.71 (1.5-11.9)	10.80	2860 (200 ~ 3240)	13.1	12.6	12.0	3.78	A
1.5+1.5+1.5+1.5+5.0	11.0	1.50+1.50+0.99+0.99+3.31 (1.5-9.9)	8.30	2520 (200 ~ 2680)	11.6	11.1	10.6	3.29	A	2.00+2.00+1.30+1.30+4.21 (1.5-11.9)	10.80	2860 (200 ~ 3240)	13.1	12.6	12.0	3.78	A
1.5+1.5+1.5+1.8+1.8	8.1	1.50+1.50+1.50+1.80+1.80 (1.5-9.9)	8.10	2470 (200 ~ 2660)	11.3	10.8	10.4	3.28	A	2.00+2.00+1.94+2.43+2.43 (1.5-11.9)	10.80	2860 (200 ~ 3240)	13.1	12.6	12.0	3.78	A
1.5+1.5+1.5+1.8+2.5	8.8	1.50+1.50+1.37+1.64+2.28 (1.5-9.9)	8.30	2520 (200 ~ 2680)	11.6	11.1	10.6	3.29	A	2.00+2.00+1.62+2.02+3.16 (1.5-11.9)	10.80	2860 (200 ~ 3240)	13.1	12.6	12.0	3.78	A
1.5+1.5+1.5+1.8+3.5	9.8	1.50+1.50+1.17+1.40+2.73 (1.5-9.9)	8.30	2520 (200 ~ 2680)	11.6	11.1	10.6	3.29	A	2.00+2.00+1.46+1.83+3.51 (1.5-11.9)	10.80	2860 (200 ~ 3240)	13.1	12.6	12.0	3.78	A
1.5+1.5+1.5+1.8+5.0	11.3	1.50+1.50+0.96+1.15+3.19 (1.5-9.9)	8.30	2520 (200 ~ 2680)	11.6	11.1	10.6	3.29	A	2.00+2.00+1.24+1.55+4.02 (1.5-11.9)	10.80	2860 (200 ~ 3240)	13.1	12.6	12.0	3.78	A
1.5+1.5+1.5+2.5+2.5	9.5	1.50+1.50+1.22+2.04+2.04 (1.5-9.9)	8.30	2520 (200 ~ 2680)	11.6	11.1	10.6	3.29	A	2.00+2.00+1.39+2.71+2.71 (1.5-11.9)	10.80	2860 (200 ~ 3240)	13.1	12.6	12.0	3.78	A
1.5+1.5+1.5+2.5+3.5	10.5	1.50+1.50+1.06+1.77+2.47 (1.5-9.9)	8.30	2520 (200 ~ 2680)	11.6	11.1	10.6	3.29	A	2.00+2.00+1.27+2.48+3.05 (1.5-11.9)	10.80	2860 (200 ~ 3240)	13.1	12.6	12.0	3.78	A
1.5+1.5+1.5+3.5+3.5	11.5	1.50+1.50+0.94+2.18+2.18 (1.5-9.9)	8.30	2520 (200 ~ 2680)	11.6	11.1	10.6	3.29	A	2.00+2.00+1.17+2.81+2.81 (1.5-11.9)	10.80	2860 (200 ~ 3240)	13.1	12.6	12.0	3.78	A
1.5+1.5+1.8+1.8+1.8	8.4	1.50+1.50+1.77+1.77+1.77 (1.5-9.9)	8.30	2520 (200 ~ 2680)	11.6	11.1	10.6	3.29	A	2.00+2.00+2.27+2.27+2.27 (1.5-11.9)	10.80	2860 (200 ~ 3240)	13.1	12.6	12.0	3.78	A
1.5+1.5+1.8+1.8+2.5	9.1	1.50+1.50+1.56+1.56+2.17 (1.5-10.3)	8.30	2520 (200 ~ 2680)	11.6	11.1	10.6	3.29	A	2.00+2.00+1.91+1.91+2.98 (1.5-11.9)	10.80	2860 (200 ~ 3240)	13.1	12.6	12.0	3.78	A
1.5+1.5+1.8+1.8+3.5	10.1	1.50+1.50+1.34+1.34+2.61 (1.5-10.5)	8.30	2520 (200 ~ 2680)	11.6	11.1	10.6	3.29	A	2.00+2.00+1.73+1.73+3.33 (1.5-11.9)	10.80	2860 (200 ~ 3240)	13.1	12.6	12.0	3.78	A
1.5+1.5+1.8+1.8+5.0	11.6	1.50+1.50+1.11+1.11+3.08 (1.5-10.5)	8.30	2520 (200 ~ 2680)	11.6	11.1	10.6	3.29	A	2.00+2.00+1.48+1.48+3.84 (1.5-11.9)	10.80	2860 (200 ~ 3240)	13.1	12.6	12.0	3.78	A
1.5+1.5+1.8+2.5+2.5	9.8	1.50+1.50+1.40+1.95+1.95 (1.5-10.5)	8.30	2520 (200 ~ 2680)	11.6	11.1	10.6	3.29	A	2.00+2.00+1.65+2.57+2.57 (1.5-11.9)	10.80	2860 (200 ~ 3240)	13.1	12.6	12.0	3.78	A
1.5+1.5+1.8+2.5+3.5	10.8	1.50+1.50+1.22+1.70+2.38 (1.5-10.5)	8.30	2520 (200 ~ 2680)	11.6	11.1	10.6	3.29	A	2.00+2.00+1.52+2.37+2.91 (1.5-11.9)	10.80	2860 (200 ~ 3240)	13.1	12.6	12.0	3.78	A
1.5+1.5+1.8+3.5+3.5	11.8	1.50+1.50+1.08+2.11+2.11 (1.5-10.5)	8.30	2520 (200 ~ 2680)	11.6	11.1	10.6	3.29	A	2.00+2.00+1.40+2.70+2.70 (1.5-11.9)	10.80	2860 (200 ~ 3240)	13.1	12.6	12.0	3.78	A
1.5+1.5+2.5+2.5+2.5	10.5	1.50+1.50+1.77+1.77+1.77 (1.5-10.5)	8.30	2520 (200 ~ 2680)	11.6	11.1	10.6	3.29	A	2.00+2.00+2.27+2.27+2.27 (1.5-11.9)	10.80	2860 (200 ~ 3240)	13.1	12.6	12.0	3.78	A
1.5+1.5+2.5+2.5+3.5	11.5	1.50+1.50+1.56+1.56+2.18 (1.5-10.5)	8.30	2520 (200 ~ 2680)	11.6	11.1	10.6	3.29	A	2.00+2.00+2.00+2.00+2.80 (1.5-11.9)	10.80	2860 (200 ~ 3240)	13.1	12.6	12.0	3.78	A

FIVE UNITS

POSSIBLE COMBINATIONS TO OPERATE	TOTAL (kW)	COOLING									HEATING								
		CAPACITY RATING (kW)			OUTDOOR UNIT					EER	Class	CAPACITY RATING (kW)			OUTDOOR UNIT			COP	Class
		(RANGE)		TOTAL	TOTAL INPUT (W)	AMPERE(A)			TOTAL			TOTAL INPUT (W)	AMPERE(A)						
						220V	230V	240V		220V	230V		240V						
1.5+1.8+ 1.5+1.5+1.5	7.8	1.50+1.80+ 1.50+1.50+1.50 (1.5-8.9)	7.80	2390 (200 - 2980)	11.0	10.5	10.1	3.26	A	2.00+2.50+ 2.00+2.00+2.00 (1.5-11.4)	10.50	2930 (200 - 3420)	13.5	12.9	12.3	3.58	B		
1.5+1.8+ 1.5+1.5+1.8	8.1	1.50+1.80+ 1.50+1.50+1.80 (1.5-9.9)	8.10	2490 (200 - 2980)	11.4	10.9	10.5	3.25	A	2.00+2.50+ 2.00+2.00+2.50 (1.5-11.8)	11.00	2990 (200 - 3630)	13.7	13.1	12.6	3.68	A		
1.5+1.8+ 1.5+1.5+2.5	8.8	1.50+1.80+ 1.45+1.45+2.41 (1.5-9.9)	8.60	2620 (200 - 2960)	12.0	11.5	11.0	3.28	A	2.00+2.50+ 1.72+1.72+3.36 (1.5-12.4)	11.30	3050 (200 - 3730)	14.0	13.4	12.8	3.70	A		
1.5+1.8+ 1.5+1.5+3.5	9.8	1.50+1.80+ 1.22+1.22+2.85 (1.5-9.9)	8.60	2620 (200 - 2980)	12.0	11.5	11.0	3.28	A	2.00+2.50+ 1.55+1.55+3.71 (1.5-12.4)	11.30	3050 (200 - 3730)	14.0	13.4	12.8	3.70	A		
1.5+1.8+ 1.5+1.5+5.0	11.3	1.50+1.80+ 0.99+0.99+3.31 (1.5-9.9)	8.60	2620 (200 - 2980)	12.0	11.5	11.0	3.28	A	2.00+2.50+ 1.30+1.30+4.21 (1.5-12.4)	11.30	3050 (200 - 3730)	14.0	13.4	12.8	3.70	A		
1.5+1.8+ 1.5+1.8+1.8	8.4	1.50+1.80+ 1.50+1.80+1.80 (1.5-9.9)	8.40	2570 (200 - 2960)	11.8	11.3	10.8	3.27	A	2.00+2.50+ 1.94+2.43+2.43 (1.5-12.4)	11.30	3050 (200 - 3730)	14.0	13.4	12.8	3.70	A		
1.5+1.8+ 1.5+1.8+2.5	9.1	1.50+1.80+ 1.37+1.64+2.28 (1.5-9.9)	8.60	2620 (200 - 2980)	12.0	11.5	11.0	3.28	A	2.00+2.50+ 1.62+2.02+3.16 (1.5-12.4)	11.30	3050 (200 - 3730)	14.0	13.4	12.8	3.70	A		
1.5+1.8+ 1.5+1.8+3.5	10.1	1.50+1.80+ 1.17+1.40+2.73 (1.5-9.9)	8.60	2620 (200 - 2980)	12.0	11.5	11.0	3.28	A	2.00+2.50+ 1.46+1.83+3.51 (1.5-12.4)	11.30	3050 (200 - 3730)	14.0	13.4	12.8	3.70	A		
1.5+1.8+ 1.5+1.8+5.0	11.6	1.50+1.80+ 0.96+1.15+3.19 (1.5-9.9)	8.60	2620 (200 - 2980)	12.0	11.5	11.0	3.28	A	2.00+2.50+ 1.24+1.55+4.02 (1.5-12.4)	11.30	3050 (200 - 3730)	14.0	13.4	12.8	3.70	A		
1.5+1.8+ 1.5+2.5+2.5	9.8	1.50+1.80+ 1.22+2.04+2.04 (1.5-9.9)	8.60	2620 (200 - 2980)	12.0	11.5	11.0	3.28	A	2.00+2.50+ 1.39+2.71+2.71 (1.5-12.4)	11.30	3050 (200 - 3730)	14.0	13.4	12.8	3.70	A		
1.5+1.8+ 1.5+2.5+3.5	10.8	1.50+1.80+ 1.06+1.77+2.47 (1.5-9.9)	8.60	2620 (200 - 2980)	12.0	11.5	11.0	3.28	A	2.00+2.50+ 1.27+2.48+3.05 (1.5-12.4)	11.30	3050 (200 - 3730)	14.0	13.4	12.8	3.70	A		
1.5+1.8+ 1.5+3.5+3.5	11.8	1.50+1.80+ 0.94+2.18+2.18 (1.5-9.9)	8.60	2620 (200 - 2980)	12.0	11.5	11.0	3.28	A	2.00+2.50+ 1.17+2.81+2.81 (1.5-12.4)	11.30	3050 (200 - 3730)	14.0	13.4	12.8	3.70	A		
1.5+1.8+ 1.8+1.8+1.8	8.7	1.50+1.80+ 1.77+1.77+1.77 (1.5-9.9)	8.60	2620 (200 - 2980)	12.0	11.5	11.0	3.28	A	2.00+2.50+ 2.27+2.27+2.27 (1.5-12.4)	11.30	3050 (200 - 3730)	14.0	13.4	12.8	3.70	A		
1.5+1.8+ 1.8+1.8+2.5	9.4	1.50+1.80+ 1.56+1.56+2.17 (1.5-10.3)	8.60	2620 (200 - 2980)	12.0	11.5	11.0	3.28	A	2.00+2.50+ 1.91+1.91+2.98 (1.5-12.4)	11.30	3050 (200 - 3730)	14.0	13.4	12.8	3.70	A		
1.5+1.8+ 1.8+1.8+3.5	10.4	1.50+1.80+ 1.34+1.34+2.61 (1.5-10.5)	8.60	2620 (200 - 2980)	12.0	11.5	11.0	3.28	A	2.00+2.50+ 1.73+1.73+3.33 (1.5-12.4)	11.30	3050 (200 - 3730)	14.0	13.4	12.8	3.70	A		
1.5+1.8+ 1.8+1.8+5.0	11.9	1.50+1.80+ 1.11+1.11+3.08 (1.5-10.5)	8.60	2620 (200 - 2980)	12.0	11.5	11.0	3.28	A	2.00+2.50+ 1.48+1.48+3.84 (1.5-12.4)	11.30	3050 (200 - 3730)	14.0	13.4	12.8	3.70	A		
1.5+1.8+ 1.8+2.5+2.5	10.1	1.50+1.80+ 1.40+1.95+1.95 (1.5-10.5)	8.60	2620 (200 - 2980)	12.0	11.5	11.0	3.28	A	2.00+2.50+ 1.65+2.57+2.57 (1.5-12.4)	11.30	3050 (200 - 3730)	14.0	13.4	12.8	3.70	A		
1.5+1.8+ 1.8+2.5+3.5	11.1	1.50+1.80+ 1.22+1.70+2.38 (1.5-10.5)	8.60	2620 (200 - 2980)	12.0	11.5	11.0	3.28	A	2.00+2.50+ 1.52+2.37+2.91 (1.5-12.4)	11.30	3050 (200 - 3730)	14.0	13.4	12.8	3.70	A		
1.5+1.8+ 1.8+3.5+3.5	12.1	1.50+1.80+ 1.08+2.11+2.11 (1.5-10.5)	8.60	2620 (200 - 2980)	12.0	11.5	11.0	3.28	A	2.00+2.50+ 1.40+2.70+2.70 (1.5-12.4)	11.30	3050 (200 - 3730)	14.0	13.4	12.8	3.70	A		
1.5+1.8+ 2.5+2.5+2.5	10.8	1.50+1.80+ 1.77+1.77+1.77 (1.5-10.5)	8.60	2620 (200 - 2980)	12.0	11.5	11.0	3.28	A	2.00+2.50+ 2.27+2.27+2.27 (1.5-12.4)	11.30	3050 (200 - 3730)	14.0	13.4	12.8	3.70	A		
1.5+1.8+ 2.5+2.5+3.5	11.8	1.50+1.80+ 1.56+1.56+2.18 (1.5-10.5)	8.60	2620 (200 - 2980)	12.0	11.5	11.0	3.28	A	2.00+2.50+ 2.00+2.00+2.80 (1.5-12.4)	11.30	3050 (200 - 3730)	14.0	13.4	12.8	3.70	A		

FIVE UNITS

POSSIBLE COMBINATIONS TO OPERATE	TOTAL (kW)	COOLING									HEATING						
		CAPACITY RATING (kW) (RANGE)		TOTAL	OUTDOOR UNIT			ELC	Class	CAPACITY RATING (kW) (RANGE)		TOTAL	OUTDOOR UNIT			COP	Class
					TOTAL INPUT (W)	AMPERE(A)							TOTAL INPUT (W)	AMPERE(A)			
		220V	230V	240V	220V	230V	240V	220V	230V	240V							
1.5+2.5+1.5+1.5+1.5	8.5	1.50+2.50+1.50+1.50+1.50 (1.5-9.5)	8.50	2550 (200 ~ 2930)	11.7	11.2	10.7	3.33	A	2.00+3.90+2.00+2.00+2.00 (1.5-12.7)	11.90	3300 (200 ~ 3560)	15.2	14.5	13.9	3.61	A
1.5+2.5+1.5+1.5+1.8	8.8	1.50+2.50+1.50+1.50+1.80 (1.5-10.5)	8.80	2650 (200 ~ 2930)	12.2	11.6	11.2	3.32	A	2.00+3.90+2.00+2.00+2.50 (1.5-13.1)	12.40	3360 (200 ~ 3770)	15.4	14.8	14.1	3.69	A
1.5+2.5+1.5+1.5+2.5	9.5	1.50+2.50+1.45+1.45+2.41 (1.5-10.5)	9.30	2780 (200 ~ 2910)	12.8	12.2	11.7	3.35	A	2.00+3.90+1.72+1.72+3.36 (1.5-13.7)	12.70	3420 (200 ~ 3870)	15.7	15.0	14.4	3.71	A
1.5+2.5+1.5+1.5+3.5	10.5	1.50+2.50+1.22+1.22+2.85 (1.5-10.5)	9.30	2780 (200 ~ 2930)	12.8	12.2	11.7	3.35	A	2.00+3.90+1.55+1.55+3.71 (1.5-13.7)	12.70	3420 (200 ~ 3870)	15.7	15.0	14.4	3.71	A
1.5+2.5+1.5+1.5+5.0	12.0	1.50+2.50+0.99+0.99+3.31 (1.5-10.5)	9.30	2780 (200 ~ 2930)	12.8	12.2	11.7	3.35	A	2.00+3.90+1.30+1.30+4.21 (1.5-13.7)	12.70	3420 (200 ~ 3870)	15.7	15.0	14.4	3.71	A
1.5+2.5+1.5+1.8+1.8	9.1	1.50+2.50+1.50+1.80+1.80 (1.5-10.5)	9.10	2730 (200 ~ 2910)	12.5	12.0	11.5	3.33	A	2.00+3.90+1.94+2.43+2.43 (1.5-13.7)	12.70	3420 (200 ~ 3870)	15.7	15.0	14.4	3.71	A
1.5+2.5+1.5+1.8+2.5	9.8	1.50+2.50+1.37+1.64+2.28 (1.5-10.5)	9.30	2780 (200 ~ 2930)	12.8	12.2	11.7	3.35	A	2.00+3.90+1.62+2.02+3.16 (1.5-13.7)	12.70	3420 (200 ~ 3870)	15.7	15.0	14.4	3.71	A
1.5+2.5+1.5+1.8+3.5	10.8	1.50+2.50+1.17+1.40+2.73 (1.5-10.5)	9.30	2780 (200 ~ 2930)	12.8	12.2	11.7	3.35	A	2.00+3.90+1.46+1.83+3.51 (1.5-13.7)	12.70	3420 (200 ~ 3870)	15.7	15.0	14.4	3.71	A
1.5+2.5+1.5+1.8+5.0	12.3	1.50+2.50+0.96+1.15+3.19 (1.5-10.5)	9.30	2780 (200 ~ 2930)	12.8	12.2	11.7	3.35	A	2.00+3.90+1.24+1.55+4.02 (1.5-13.7)	12.70	3420 (200 ~ 3870)	15.7	15.0	14.4	3.71	A
1.5+2.5+1.5+2.5+2.5	10.5	1.50+2.50+1.22+2.04+2.04 (1.5-10.5)	9.30	2780 (200 ~ 2930)	12.8	12.2	11.7	3.35	A	2.00+3.90+1.39+2.71+2.71 (1.5-13.7)	12.70	3420 (200 ~ 3870)	15.7	15.0	14.4	3.71	A
1.5+2.5+1.5+2.5+3.5	11.5	1.50+2.50+1.06+1.77+2.47 (1.5-10.5)	9.30	2780 (200 ~ 2930)	12.8	12.2	11.7	3.35	A	2.00+3.90+1.27+2.48+3.05 (1.5-13.7)	12.70	3420 (200 ~ 3870)	15.7	15.0	14.4	3.71	A
1.5+2.5+1.5+3.5+3.5	12.5	1.50+2.50+0.94+2.18+2.18 (1.5-10.5)	9.30	2780 (200 ~ 2930)	12.8	12.2	11.7	3.35	A	2.00+3.90+1.17+2.81+2.81 (1.5-13.7)	12.70	3420 (200 ~ 3870)	15.7	15.0	14.4	3.71	A
1.5+2.5+1.8+1.8+1.8	9.4	1.50+2.50+1.77+1.77+1.77 (1.5-10.5)	9.30	2780 (200 ~ 2930)	12.8	12.2	11.7	3.35	A	2.00+3.90+2.27+2.27+2.27 (1.5-13.7)	12.70	3420 (200 ~ 3870)	15.7	15.0	14.4	3.71	A
1.5+2.5+1.8+1.8+2.5	10.1	1.50+2.50+1.56+1.56+2.17 (1.5-10.9)	9.30	2780 (200 ~ 2930)	12.8	12.2	11.7	3.35	A	2.00+3.90+1.91+1.91+2.98 (1.5-13.7)	12.70	3420 (200 ~ 3870)	15.7	15.0	14.4	3.71	A
1.5+2.5+1.8+1.8+3.5	11.1	1.50+2.50+1.34+1.34+2.61 (1.5-11.1)	9.30	2780 (200 ~ 2930)	12.8	12.2	11.7	3.35	A	2.00+3.90+1.73+1.73+3.33 (1.5-13.7)	12.70	3420 (200 ~ 3870)	15.7	15.0	14.4	3.71	A
1.5+2.5+1.8+1.8+5.0	12.6	1.50+2.50+1.11+1.11+3.08 (1.5-11.1)	9.30	2780 (200 ~ 2930)	12.8	12.2	11.7	3.35	A	2.00+3.90+1.48+1.48+3.84 (1.5-13.7)	12.70	3420 (200 ~ 3870)	15.7	15.0	14.4	3.71	A
1.5+2.5+1.8+2.5+2.5	10.8	1.50+2.50+1.40+1.95+1.95 (1.5-11.1)	9.30	2780 (200 ~ 2930)	12.8	12.2	11.7	3.35	A	2.00+3.90+1.65+2.57+2.57 (1.5-13.7)	12.70	3420 (200 ~ 3870)	15.7	15.0	14.4	3.71	A
1.5+2.5+1.8+2.5+3.5	11.8	1.50+2.50+1.22+1.70+2.38 (1.5-11.1)	9.30	2780 (200 ~ 2930)	12.8	12.2	11.7	3.35	A	2.00+3.90+1.52+2.37+2.91 (1.5-13.7)	12.70	3420 (200 ~ 3870)	15.7	15.0	14.4	3.71	A
1.5+2.5+1.8+3.5+3.5	12.8	1.50+2.50+1.08+2.11+2.11 (1.5-11.1)	9.30	2780 (200 ~ 2930)	12.8	12.2	11.7	3.35	A	2.00+3.90+1.40+2.70+2.70 (1.5-13.7)	12.70	3420 (200 ~ 3870)	15.7	15.0	14.4	3.71	A
1.5+2.5+2.5+2.5+2.5	11.5	1.50+2.50+1.77+1.77+1.77 (1.5-11.1)	9.30	2780 (200 ~ 2930)	12.8	12.2	11.7	3.35	A	2.00+3.90+2.27+2.27+2.27 (1.5-13.7)	12.70	3420 (200 ~ 3870)	15.7	15.0	14.4	3.71	A
1.5+2.5+2.5+2.5+3.5	12.5	1.50+2.50+1.56+1.56+2.18 (1.5-11.1)	9.30	2780 (200 ~ 2930)	12.8	12.2	11.7	3.35	A	2.00+3.90+2.00+2.00+2.80 (1.5-13.7)	12.70	3420 (200 ~ 3870)	15.7	15.0	14.4	3.71	A

FIVE UNITS

POSSIBLE COMBINATIONS TO OPERATE	TOTAL (kW)	COOLING									HEATING								
		CAPACITY RATING (kW)			OUTDOOR UNIT					EER	Class	CAPACITY RATING (kW)			OUTDOOR UNIT			COP	Class
		(RANGE)		TOTAL	TOTAL INPUT (W)	AMPERE(A)			TOTAL			(RANGE)		TOTAL INPUT (W)	AMPERE(A)				
						220V	230V	240V				220V	230V		240V				
1.5+3.5+ 1.5+1.5+1.5	9.5	1.50+3.50+ 1.50+1.50+1.50 (1.5-10.9)	9.50	2850 (200 - 3340)	13.1	12.5	12.0	3.33	A	2.00+4.80+ 2.00+2.00+2.00 (1.5-13.4)	12.80	3500 (200 - 3560)	16.1	15.4	14.7	3.66	A		
1.5+3.5+ 1.5+1.5+1.8	9.8	1.50+3.50+ 1.50+1.50+1.80 (1.5-11.9)	9.80	2950 (200 - 3340)	13.5	13.0	12.4	3.32	A	2.00+4.80+ 2.00+2.00+2.50 (1.5-13.8)	13.30	3560 (200 - 3770)	16.3	15.6	15.0	3.74	A		
1.5+3.5+ 1.5+1.5+2.5	10.5	1.50+3.50+ 1.45+1.45+2.41 (1.5-11.9)	10.30	3080 (200 - 3320)	14.1	13.5	13.0	3.34	A	2.00+4.80+ 1.72+1.72+3.36 (1.5-14.4)	13.60	3620 (200 - 3870)	16.6	15.9	15.2	3.76	A		
1.5+3.5+ 1.5+1.5+3.5	11.5	1.50+3.50+ 1.22+1.22+2.85 (1.5-11.9)	10.30	3080 (200 - 3340)	14.1	13.5	13.0	3.34	A	2.00+4.80+ 1.55+1.55+3.71 (1.5-14.4)	13.60	3620 (200 - 3870)	16.6	15.9	15.2	3.76	A		
1.5+3.5+ 1.5+1.5+5.0	13.0	1.50+3.50+ 0.99+0.99+3.31 (1.5-11.9)	10.30	3080 (200 - 3340)	14.1	13.5	13.0	3.34	A	2.00+4.80+ 1.30+1.30+4.21 (1.5-14.4)	13.60	3620 (200 - 3870)	16.6	15.9	15.2	3.76	A		
1.5+3.5+ 1.5+1.8+1.8	10.1	1.50+3.50+ 1.50+1.80+1.80 (1.5-11.9)	10.10	3030 (200 - 3320)	13.9	13.3	12.8	3.33	A	2.00+4.80+ 1.94+2.43+2.43 (1.5-14.4)	13.60	3620 (200 - 3870)	16.6	15.9	15.2	3.76	A		
1.5+3.5+ 1.5+1.8+2.5	10.8	1.50+3.50+ 1.37+1.64+2.28 (1.5-11.9)	10.30	3080 (200 - 3340)	14.1	13.5	13.0	3.34	A	2.00+4.80+ 1.62+2.02+3.16 (1.5-14.4)	13.60	3620 (200 - 3870)	16.6	15.9	15.2	3.76	A		
1.5+3.5+ 1.5+1.8+3.5	11.8	1.50+3.50+ 1.17+1.40+2.73 (1.5-11.9)	10.30	3080 (200 - 3340)	14.1	13.5	13.0	3.34	A	2.00+4.80+ 1.46+1.83+3.51 (1.5-14.4)	13.60	3620 (200 - 3870)	16.6	15.9	15.2	3.76	A		
1.5+3.5+ 1.5+1.8+5.0	13.3	1.50+3.50+ 0.96+1.15+3.19 (1.5-11.9)	10.30	3080 (200 - 3340)	14.1	13.5	13.0	3.34	A	2.00+4.80+ 1.24+1.55+4.02 (1.5-14.4)	13.60	3620 (200 - 3870)	16.6	15.9	15.2	3.76	A		
1.5+3.5+ 1.5+2.5+2.5	11.5	1.50+3.50+ 1.22+2.04+2.04 (1.5-11.9)	10.30	3080 (200 - 3340)	14.1	13.5	13.0	3.34	A	2.00+4.80+ 1.39+2.71+2.71 (1.5-14.4)	13.60	3620 (200 - 3870)	16.6	15.9	15.2	3.76	A		
1.5+3.5+ 1.5+2.5+3.5	12.5	1.50+3.50+ 1.06+1.77+2.47 (1.5-11.9)	10.30	3080 (200 - 3340)	14.1	13.5	13.0	3.34	A	2.00+4.80+ 1.27+2.48+3.05 (1.5-14.4)	13.60	3620 (200 - 3870)	16.6	15.9	15.2	3.76	A		
1.5+3.5+ 1.5+3.5+3.5	13.5	1.50+3.50+ 0.94+2.18+2.18 (1.5-11.9)	10.30	3080 (200 - 3340)	14.1	13.5	13.0	3.34	A	2.00+4.80+ 1.17+2.81+2.81 (1.5-14.4)	13.60	3620 (200 - 3870)	16.6	15.9	15.2	3.76	A		
1.5+3.5+ 1.8+1.8+1.8	10.4	1.50+3.50+ 1.77+1.77+1.77 (1.5-11.9)	10.30	3080 (200 - 3340)	14.1	13.5	13.0	3.34	A	2.00+4.80+ 2.27+2.27+2.27 (1.5-14.4)	13.60	3620 (200 - 3870)	16.6	15.9	15.2	3.76	A		
1.5+3.5+ 1.8+1.8+2.5	11.1	1.50+3.50+ 1.56+1.56+2.17 (1.5-12.3)	10.30	3080 (200 - 3340)	14.1	13.5	13.0	3.34	A	2.00+4.80+ 1.91+1.91+2.98 (1.5-14.4)	13.60	3620 (200 - 3870)	16.6	15.9	15.2	3.76	A		
1.5+3.5+ 1.8+1.8+3.5	12.1	1.50+3.50+ 1.34+1.34+2.61 (1.5-12.5)	10.30	3080 (200 - 3340)	14.1	13.5	13.0	3.34	A	2.00+4.80+ 1.73+1.73+3.33 (1.5-14.4)	13.60	3620 (200 - 3870)	16.6	15.9	15.2	3.76	A		
1.5+3.5+ 1.8+1.8+5.0	13.6	1.50+3.50+ 1.11+1.11+3.08 (1.5-12.5)	10.30	3080 (200 - 3340)	14.1	13.5	13.0	3.34	A	2.00+4.80+ 1.48+1.48+3.84 (1.5-14.4)	13.60	3620 (200 - 3870)	16.6	15.9	15.2	3.76	A		
1.5+3.5+ 1.8+2.5+2.5	11.8	1.50+3.50+ 1.40+1.95+1.95 (1.5-12.5)	10.30	3080 (200 - 3340)	14.1	13.5	13.0	3.34	A	2.00+4.80+ 1.65+2.57+2.57 (1.5-14.4)	13.60	3620 (200 - 3870)	16.6	15.9	15.2	3.76	A		
1.5+3.5+ 1.8+2.5+3.5	12.8	1.50+3.50+ 1.22+1.70+2.38 (1.5-12.5)	10.30	3080 (200 - 3340)	14.1	13.5	13.0	3.34	A	2.00+4.80+ 1.52+2.37+2.91 (1.5-14.4)	13.60	3620 (200 - 3870)	16.6	15.9	15.2	3.76	A		
1.5+3.5+ 1.8+3.5+3.5	13.8	1.50+3.50+ 1.08+2.11+2.11 (1.5-12.5)	10.30	3080 (200 - 3340)	14.1	13.5	13.0	3.34	A	2.00+4.80+ 1.40+2.70+2.70 (1.5-14.4)	13.60	3620 (200 - 3870)	16.6	15.9	15.2	3.76	A		
1.5+3.5+ 2.5+2.5+2.5	12.5	1.50+3.50+ 1.77+1.77+1.77 (1.5-12.5)	10.30	3080 (200 - 3340)	14.1	13.5	13.0	3.34	A	2.00+4.80+ 2.27+2.27+2.27 (1.5-14.4)	13.60	3620 (200 - 3870)	16.6	15.9	15.2	3.76	A		
1.5+3.5+ 2.5+2.5+3.5	13.5	1.50+3.50+ 1.56+1.56+2.18 (1.5-12.5)	10.30	3080 (200 - 3340)	14.1	13.5	13.0	3.34	A	2.00+4.80+ 2.00+2.00+2.80 (1.5-14.4)	13.60	3620 (200 - 3870)	16.6	15.9	15.2	3.76	A		

FIVE UNITS



POSSIBLE COMBINATIONS TO OPERATE	TOTAL (kW)	COOLING									HEATING						
		CAPACITY RATING (kW) (RANGE)		TOTAL	OUTDOOR UNIT			ELER	Class	CAPACITY RATING (kW) (RANGE)		TOTAL	OUTDOOR UNIT			COP	Class
					TOTAL INPUT (W)	AMPERE(A)							TOTAL INPUT (W)	AMPERE(A)			
		220V	230V	240V	220V	230V	240V	220V	230V	240V							
1.5+5.0+ 1.5+1.5+1.5	11.0	1.22+4.08+ 1.50+1.50+1.50 (1.5-10.9)	9.80	2970 (200 ~ 3340)	13.6	13.0	12.5	3.30	A	1.60+5.20+ 2.00+2.00+2.00 (1.5-13.4)	12.80	3500 (200 ~ 3560)	16.1	15.4	14.7	3.66	A
1.5+5.0+ 1.5+1.5+1.8	11.3	1.22+4.08+ 1.50+1.50+1.80 (1.5-11.9)	10.10	3070 (200 ~ 3340)	14.1	13.5	12.9	3.29	A	1.60+5.20+ 2.00+2.00+2.50 (1.5-13.8)	13.30	3560 (200 ~ 3770)	16.3	15.6	15.0	3.74	A
1.5+5.0+ 1.5+1.5+2.5	12.0	1.22+4.08+ 1.45+1.45+2.41 (1.5-11.9)	10.60	3200 (200 ~ 3320)	14.7	14.1	13.5	3.31	A	1.60+5.20+ 1.72+1.72+3.36 (1.5-14.4)	13.60	3620 (200 ~ 3870)	16.6	15.9	15.2	3.76	A
1.5+5.0+ 1.5+1.5+3.5	13.0	1.22+4.08+ 1.22+1.22+2.85 (1.5-11.9)	10.60	3200 (200 ~ 3340)	14.7	14.1	13.5	3.31	A	1.60+5.20+ 1.55+1.55+3.71 (1.5-14.4)	13.60	3620 (200 ~ 3870)	16.6	15.9	15.2	3.76	A
1.5+5.0+ 1.5+1.5+5.0	14.5	1.22+4.08+ 0.99+0.99+3.31 (1.5-11.9)	10.60	3200 (200 ~ 3340)	14.7	14.1	13.5	3.31	A	1.60+5.20+ 1.30+1.30+4.21 (1.5-14.4)	13.60	3620 (200 ~ 3870)	16.6	15.9	15.2	3.76	A
1.5+5.0+ 1.5+1.8+1.8	11.6	1.22+4.08+ 1.50+1.80+1.80 (1.5-11.9)	10.40	3150 (200 ~ 3320)	14.5	13.8	13.3	3.30	A	1.60+5.20+ 1.94+2.43+2.43 (1.5-14.4)	13.60	3620 (200 ~ 3870)	16.6	15.9	15.2	3.76	A
1.5+5.0+ 1.5+1.8+2.5	12.3	1.22+4.08+ 1.37+1.64+2.28 (1.5-11.9)	10.60	3200 (200 ~ 3340)	14.7	14.1	13.5	3.31	A	1.60+5.20+ 1.62+2.02+3.16 (1.5-14.4)	13.60	3620 (200 ~ 3870)	16.6	15.9	15.2	3.76	A
1.5+5.0+ 1.5+1.8+3.5	13.3	1.22+4.08+ 1.17+1.40+2.73 (1.5-11.9)	10.60	3200 (200 ~ 3340)	14.7	14.1	13.5	3.31	A	1.60+5.20+ 1.46+1.83+3.51 (1.5-14.4)	13.60	3620 (200 ~ 3870)	16.6	15.9	15.2	3.76	A
1.5+5.0+ 1.5+1.8+5.0	14.8	1.22+4.08+ 0.96+1.15+3.19 (1.5-11.9)	10.60	3200 (200 ~ 3340)	14.7	14.1	13.5	3.31	A	1.60+5.20+ 1.24+1.55+4.02 (1.5-14.4)	13.60	3620 (200 ~ 3870)	16.6	15.9	15.2	3.76	A
1.5+5.0+ 1.5+2.5+2.5	13.0	1.22+4.08+ 1.22+2.04+2.04 (1.5-11.9)	10.60	3200 (200 ~ 3340)	14.7	14.1	13.5	3.31	A	1.60+5.20+ 1.39+2.71+2.71 (1.5-14.4)	13.60	3620 (200 ~ 3870)	16.6	15.9	15.2	3.76	A
1.5+5.0+ 1.5+2.5+3.5	14.0	1.22+4.08+ 1.06+1.77+2.47 (1.5-11.9)	10.60	3200 (200 ~ 3340)	14.7	14.1	13.5	3.31	A	1.60+5.20+ 1.27+2.48+3.05 (1.5-14.4)	13.60	3620 (200 ~ 3870)	16.6	15.9	15.2	3.76	A
1.5+5.0+ 1.5+3.5+3.5	15.0	1.22+4.08+ 0.94+2.18+2.18 (1.5-11.9)	10.60	3200 (200 ~ 3340)	14.7	14.1	13.5	3.31	A	1.60+5.20+ 1.17+2.81+2.81 (1.5-14.4)	13.60	3620 (200 ~ 3870)	16.6	15.9	15.2	3.76	A
1.5+5.0+ 1.8+1.8+1.8	11.9	1.22+4.08+ 1.77+1.77+1.77 (1.5-11.9)	10.60	3200 (200 ~ 3340)	14.7	14.1	13.5	3.31	A	1.60+5.20+ 2.27+2.27+2.27 (1.5-14.4)	13.60	3620 (200 ~ 3870)	16.6	15.9	15.2	3.76	A
1.5+5.0+ 1.8+1.8+2.5	12.6	1.22+4.08+ 1.56+1.56+2.17 (1.5-12.3)	10.60	3200 (200 ~ 3340)	14.7	14.1	13.5	3.31	A	1.60+5.20+ 1.91+1.91+2.98 (1.5-14.4)	13.60	3620 (200 ~ 3870)	16.6	15.9	15.2	3.76	A
1.5+5.0+ 1.8+1.8+3.5	13.6	1.22+4.08+ 1.34+1.34+2.61 (1.5-12.5)	10.60	3200 (200 ~ 3340)	14.7	14.1	13.5	3.31	A	1.60+5.20+ 1.73+1.73+3.33 (1.5-14.4)	13.60	3620 (200 ~ 3870)	16.6	15.9	15.2	3.76	A
1.5+5.0+ 1.8+1.8+5.0	15.1	1.22+4.08+ 1.11+1.11+3.08 (1.5-12.5)	10.60	3200 (200 ~ 3340)	14.7	14.1	13.5	3.31	A	1.60+5.20+ 1.48+1.48+3.84 (1.5-14.4)	13.60	3620 (200 ~ 3870)	16.6	15.9	15.2	3.76	A
1.5+5.0+ 1.8+2.5+2.5	13.3	1.22+4.08+ 1.40+1.95+1.95 (1.5-12.5)	10.60	3200 (200 ~ 3340)	14.7	14.1	13.5	3.31	A	1.60+5.20+ 1.65+2.57+2.57 (1.5-14.4)	13.60	3620 (200 ~ 3870)	16.6	15.9	15.2	3.76	A
1.5+5.0+ 1.8+2.5+3.5	14.3	1.22+4.08+ 1.22+1.70+2.38 (1.5-12.5)	10.60	3200 (200 ~ 3340)	14.7	14.1	13.5	3.31	A	1.60+5.20+ 1.52+2.37+2.91 (1.5-14.4)	13.60	3620 (200 ~ 3870)	16.6	15.9	15.2	3.76	A
1.5+5.0+ 1.8+3.5+3.5	15.3	1.22+4.08+ 1.08+2.11+2.11 (1.5-12.5)	10.60	3200 (200 ~ 3340)	14.7	14.1	13.5	3.31	A	1.60+5.20+ 1.40+2.70+2.70 (1.5-14.4)	13.60	3620 (200 ~ 3870)	16.6	15.9	15.2	3.76	A
1.5+5.0+ 2.5+2.5+2.5	14.0	1.22+4.08+ 1.77+1.77+1.77 (1.5-12.5)	10.60	3200 (200 ~ 3340)	14.7	14.1	13.5	3.31	A	1.60+5.20+ 2.27+2.27+2.27 (1.5-14.4)	13.60	3620 (200 ~ 3870)	16.6	15.9	15.2	3.76	A
1.5+5.0+ 2.5+2.5+3.5	15.0	1.22+4.08+ 1.56+1.56+2.18 (1.5-12.5)	10.60	3200 (200 ~ 3340)	14.7	14.1	13.5	3.31	A	1.60+5.20+ 2.00+2.00+2.80 (1.5-14.4)	13.60	3620 (200 ~ 3870)	16.6	15.9	15.2	3.76	A

FIVE UNITS

POSSIBLE COMBINATIONS TO OPERATE	TOTAL (kW)	COOLING										HEATING								
		CAPACITY RATING (kW)			OUTDOOR UNIT						EER	Class	CAPACITY RATING (kW)			OUTDOOR UNIT			COP	Class
		(RANGE)		TOTAL	TOTAL INPUT (W)	AMPERE(A)			EER	Class			(RANGE)		TOTAL	TOTAL INPUT (W)	AMPERE(A)			
						220V	230V	240V					220V	230V			240V			
1.8+1.8+ 1.8+1.8+1.8	9.0	1.80+1.80+ 1.77+1.77+1.77 (1.5-10)	8.90	2680 (200 - 2980)	12.3	11.8	11.3	3.32	A	2.50+2.50+ 2.27+2.27+2.27 (1.5-12.4)	11.80	3090 (200 - 3410)	14.2	13.6	13.0	3.82	A			
1.8+1.8+ 1.8+1.8+2.5	9.7	1.80+1.80+ 1.56+1.56+2.17 (1.5-10.4)	8.90	2680 (200 - 2980)	12.3	11.8	11.3	3.32	A	2.50+2.50+ 1.91+1.91+2.98 (1.5-12.4)	11.80	3090 (200 - 3410)	14.2	13.6	13.0	3.82	A			
1.8+3.5+ 1.8+1.8+1.8	10.7	1.80+3.50+ 1.77+1.77+1.77 (1.5-11.6)	10.60	3200 (200 - 3340)	14.7	14.1	13.5	3.31	A	2.33+4.47+ 2.27+2.27+2.27 (1.5-14.4)	13.60	3650 (200 - 3870)	16.8	16.0	15.4	3.73	A			
1.8+5.0+ 1.8+1.8+1.8	12.2	1.40+3.90+ 1.77+1.77+1.77 (1.5-11.9)	10.60	3200 (200 - 3340)	14.7	14.1	13.5	3.31	A	1.80+5.00+ 2.27+2.27+2.27 (1.5-14.4)	13.60	3620 (200 - 3870)	16.6	15.9	15.2	3.76	A			
1.8+2.5+ 1.8+1.8+2.5	10.4	1.80+2.50+ 1.56+1.56+2.17 (1.5-11)	9.60	2880 (200 - 3130)	13.2	12.6	12.1	3.33	A	2.50+3.90+ 1.91+1.91+2.98 (1.5-13.5)	13.20	3500 (200 - 3780)	16.1	15.4	14.7	3.77	A			
1.8+3.5+ 1.8+1.8+2.5	11.4	1.80+3.50+ 1.56+1.56+2.17 (1.5-12)	10.60	3200 (200 - 3340)	14.7	14.1	13.5	3.31	A	2.33+4.47+ 1.91+1.91+2.98 (1.5-14.4)	13.60	3650 (200 - 3870)	16.8	16.0	15.4	3.73	A			
1.8+5.0+ 1.8+1.8+2.5	12.9	1.40+3.90+ 1.56+1.56+2.17 (1.5-12.3)	10.60	3200 (200 - 3340)	14.7	14.1	13.5	3.31	A	1.80+5.00+ 1.91+1.91+2.98 (1.5-14.4)	13.60	3620 (200 - 3870)	16.6	15.9	15.2	3.76	A			
1.8+3.5+ 1.8+1.8+3.5	12.4	1.80+3.50+ 1.34+1.34+2.61 (1.5-12.2)	10.60	3200 (200 - 3340)	14.7	14.1	13.5	3.31	A	2.33+4.47+ 1.73+1.73+3.33 (1.5-14.4)	13.60	3650 (200 - 3870)	16.8	16.0	15.4	3.73	A			
1.8+5.0+ 1.8+1.8+3.5	13.9	1.40+3.90+ 1.34+1.34+2.61 (1.5-12.5)	10.60	3200 (200 - 3340)	14.7	14.1	13.5	3.31	A	1.80+5.00+ 1.73+1.73+3.33 (1.5-14.4)	13.60	3620 (200 - 3870)	16.6	15.9	15.2	3.76	A			
1.8+5.0+ 1.8+1.8+5.0	15.4	1.40+3.90+ 1.11+1.11+3.08 (1.5-12.5)	10.60	3200 (200 - 3340)	14.7	14.1	13.5	3.31	A	1.80+5.00+ 1.48+1.48+3.84 (1.5-14.4)	13.60	3620 (200 - 3870)	16.6	15.9	15.2	3.76	A			
2.5+2.5+ 1.8+1.8+2.5	11.1	2.50+2.50+ 1.56+1.56+2.17 (1.5-12)	10.30	3070 (200 - 3340)	14.1	13.5	12.9	3.36	A	3.40+3.40+ 1.91+1.91+2.98 (1.5-14.4)	13.60	3620 (200 - 3870)	16.6	15.9	15.2	3.76	A			
2.5+3.5+ 1.8+1.8+2.5	12.1	2.21+3.09+ 1.56+1.56+2.17 (1.5-12.1)	10.60	3200 (200 - 3340)	14.7	14.1	13.5	3.31	A	2.83+3.97+ 1.91+1.91+2.98 (1.5-14.4)	13.60	3620 (200 - 3870)	16.6	15.9	15.2	3.76	A			
1.8+5.0+ 1.8+2.5+2.5	13.6	1.40+3.90+ 1.40+1.95+1.95 (1.5-12.5)	10.60	3200 (200 - 3340)	14.7	14.1	13.5	3.31	A	1.80+5.00+ 1.65+2.57+2.57 (1.5-14.4)	13.60	3620 (200 - 3870)	16.6	15.9	15.2	3.76	A			
3.5+3.5+ 1.8+1.8+2.5	13.1	2.65+2.65+ 1.56+1.56+2.17 (1.5-12.3)	10.60	3200 (200 - 3340)	14.7	14.1	13.5	3.31	A	3.40+3.40+ 1.91+1.91+2.98 (1.5-14.4)	13.60	3590 (200 - 3870)	16.5	15.8	15.1	3.79	A			
1.8+5.0+ 1.8+2.5+3.5	14.6	1.40+3.90+ 1.22+1.70+2.38 (1.5-12.5)	10.60	3200 (200 - 3340)	14.7	14.1	13.5	3.31	A	1.80+5.00+ 1.52+2.37+2.91 (1.5-14.4)	13.60	3620 (200 - 3870)	16.6	15.9	15.2	3.76	A			
3.5+3.5+ 1.8+1.8+3.5	14.1	2.65+2.65+ 1.34+1.34+2.61 (1.5-12.5)	10.60	3200 (200 - 3340)	14.7	14.1	13.5	3.31	A	3.40+3.40+ 1.73+1.73+3.33 (1.5-14.4)	13.60	3590 (200 - 3870)	16.5	15.8	15.1	3.79	A			
2.5+2.5+ 1.8+2.5+2.5	11.8	2.50+2.50+ 1.40+1.95+1.95 (1.5-12.2)	10.30	3070 (200 - 3340)	14.1	13.5	12.9	3.36	A	3.40+3.40+ 1.65+2.57+2.57 (1.5-14.4)	13.60	3620 (200 - 3870)	16.6	15.9	15.2	3.76	A			
2.5+3.5+ 1.8+2.5+2.5	12.8	2.21+3.09+ 1.40+1.95+1.95 (1.5-12.3)	10.60	3200 (200 - 3340)	14.7	14.1	13.5	3.31	A	2.83+3.97+ 1.65+2.57+2.57 (1.5-14.4)	13.60	3620 (200 - 3870)	16.6	15.9	15.2	3.76	A			
1.8+5.0+ 2.5+2.5+2.5	14.3	1.40+3.90+ 1.77+1.77+1.77 (1.5-12.5)	10.60	3200 (200 - 3340)	14.7	14.1	13.5	3.31	A	1.80+5.00+ 2.27+2.27+2.27 (1.5-14.4)	13.60	3620 (200 - 3870)	16.6	15.9	15.2	3.76	A			
3.5+3.5+ 1.8+2.5+2.5	13.8	2.65+2.65+ 1.40+1.95+1.95 (1.5-12.5)	10.60	3200 (200 - 3340)	14.7	14.1	13.5	3.31	A	3.40+3.40+ 1.65+2.57+2.57 (1.5-14.4)	13.60	3590 (200 - 3870)	16.5	15.8	15.1	3.79	A			
2.5+5.0+ 1.8+2.5+3.5	15.3	1.77+3.53+ 1.22+1.70+2.38 (1.5-12.5)	10.60	3200 (200 - 3340)	14.7	14.1	13.5	3.31	A	2.55+4.25+ 1.52+2.37+2.91 (1.5-14.4)	13.60	3590 (200 - 3870)	16.5	15.8	15.1	3.79	A			

FIVE UNITS

POSSIBLE COMBINATIONS TO OPERATE	TOTAL (kW)	COOLING									HEATING							
		CAPACITY RATING (kW) (RANGE)		TOTAL	OUTDOOR UNIT			EER	Class	CAPACITY RATING (kW) (RANGE)		TOTAL	OUTDOOR UNIT			COP	Class	
					TOTAL INPUT (W)	AMPERE(A)							TOTAL INPUT (W)	AMPERE(A)				
		220V	230V	240V	220V	230V	240V	220V	230V	240V								
FIVE UNITS	3.5+3.5+1.8+2.5+3.5	14.8	2.65+2.65+1.22+1.70+2.38 (1.5-12.5)	10.60	3200 (200 ~ 3340)	14.7	14.1	13.5	3.31	A	3.40+3.40+1.52+2.37+2.91 (1.5-14.4)	13.60	3590 (200 ~ 3870)	16.5	15.8	15.1	3.79	A
	3.5+3.5+1.8+3.5+3.5	15.8	2.65+2.65+1.08+2.11+2.11 (1.5-12.5)	10.60	3200 (200 ~ 3340)	14.7	14.1	13.5	3.31	A	3.40+3.40+1.40+2.70+2.70 (1.5-14.4)	13.60	3590 (200 ~ 3870)	16.5	15.8	15.1	3.79	A
	2.5+2.5+2.5+2.5+2.5	12.5	2.50+2.50+1.77+1.77+1.77 (1.5-12.2)	10.30	3070 (200 ~ 3340)	14.1	13.5	12.9	3.36	A	3.40+3.40+2.27+2.27+2.27 (1.5-14.4)	13.60	3620 (200 ~ 3870)	16.6	15.9	15.2	3.76	A
	2.5+3.5+2.5+2.5+2.5	13.5	2.21+3.09+1.77+1.77+1.77 (1.5-12.3)	10.60	3200 (200 ~ 3340)	14.7	14.1	13.5	3.31	A	2.83+3.97+2.27+2.27+2.27 (1.5-14.4)	13.60	3620 (200 ~ 3870)	16.6	15.9	15.2	3.76	A
	2.5+5.0+2.5+2.5+2.5	15.0	1.77+3.53+1.77+1.77+1.77 (1.5-12.5)	10.60	3200 (200 ~ 3340)	14.7	14.1	13.5	3.31	A	2.55+4.25+2.27+2.27+2.27 (1.5-14.4)	13.60	3590 (200 ~ 3870)	16.5	15.8	15.1	3.79	A
	3.5+3.5+2.5+2.5+2.5	14.5	2.65+2.65+1.77+1.77+1.77 (1.5-12.5)	10.60	3200 (200 ~ 3340)	14.7	14.1	13.5	3.31	A	3.40+3.40+2.27+2.27+2.27 (1.5-14.4)	13.60	3590 (200 ~ 3870)	16.5	15.8	15.1	3.79	A
	2.5+5.0+2.5+2.5+3.5	16.0	1.77+3.53+1.56+1.56+2.18 (1.5-12.5)	10.60	3200 (200 ~ 3340)	14.7	14.1	13.5	3.31	A	2.55+4.25+2.00+2.00+2.80 (1.5-14.4)	13.60	3590 (200 ~ 3870)	16.5	15.8	15.1	3.79	A
	3.5+3.5+2.5+2.5+3.5	15.5	2.65+2.65+1.56+1.56+2.18 (1.5-12.5)	10.60	3200 (200 ~ 3340)	14.7	14.1	13.5	3.31	A	3.40+3.40+2.00+2.00+2.80 (1.5-14.4)	13.60	3590 (200 ~ 3870)	16.5	15.8	15.1	3.79	A
	3.5+5.0+2.5+2.5+3.5	17.0	2.18+3.12+1.56+1.56+2.18 (1.5-13.2)	10.60	3200 (200 ~ 3340)	14.7	14.1	13.5	3.31	A	2.89+3.91+2.00+2.00+2.80 (1.5-14.4)	13.60	3590 (200 ~ 3870)	16.5	15.8	15.1	3.79	A

POSSIBLE COMBINATIONS TO OPERATE	TOTAL (kW)	COOLING									HEATING								
		CAPACITY RATING (kW)			OUTDOOR UNIT					EER	Class	CAPACITY RATING (kW)			OUTDOOR UNIT			COP	Class
		(RANGE)		TOTAL	TOTAL INPUT (W)	AMPERE(A)			TOTAL			(RANGE)		TOTAL INPUT (W)	AMPERE(A)				
						220V	230V	240V				220V	230V		240V				
1.5+1.5+1.5+1.5+1.5+1.5	9.0	1.50+1.50+1.50+1.50+1.50+1.50	9.00	2740	12.6	12.0	11.5	3.28	A	2.00+2.00+2.00+2.00+2.00+2.00	12.00	3360	15.4	14.8	14.1	3.57	B		
1.5+1.5+1.5+1.5+1.5+1.8	9.3	1.50+1.50+1.50+1.50+1.50+1.80	9.30	2840	13.0	12.5	12.0	3.27	A	2.00+2.00+2.00+2.00+2.00+2.50	12.50	3420	15.7	15.0	14.4	3.65	A		
1.5+1.5+1.5+1.5+1.5+2.5	10.0	1.50+1.50+1.50+1.45+1.45+2.41	9.80	2970	13.6	13.0	12.5	3.30	A	2.00+2.00+2.00+1.72+1.72+3.36	12.80	3480	16.0	15.3	14.6	3.68	A		
1.5+1.5+1.5+1.5+1.5+3.5	11.0	1.50+1.50+1.50+1.22+1.22+2.85	9.80	2970	13.6	13.0	12.5	3.30	A	2.00+2.00+2.00+1.55+1.55+3.71	12.80	3480	16.0	15.3	14.6	3.68	A		
1.5+1.5+1.5+1.5+1.5+5.0	12.5	1.50+1.50+1.50+0.99+0.99+3.31	9.80	2970	13.6	13.0	12.5	3.30	A	2.00+2.00+2.00+1.30+1.30+4.21	12.80	3480	16.0	15.3	14.6	3.68	A		
1.5+1.5+1.5+1.5+1.8+1.8	9.6	1.50+1.50+1.50+1.50+1.80+1.80	9.60	2920	13.4	12.8	12.3	3.29	A	2.00+2.00+2.00+1.94+2.43+2.43	12.80	3480	16.0	15.3	14.6	3.68	A		
1.5+1.5+1.5+1.5+1.8+2.5	10.3	1.50+1.50+1.50+1.37+1.64+2.28	9.80	2970	13.6	13.0	12.5	3.30	A	2.00+2.00+2.00+1.62+2.02+3.16	12.80	3480	16.0	15.3	14.6	3.68	A		
1.5+1.5+1.5+1.5+1.8+3.5	11.3	1.50+1.50+1.50+1.17+1.40+2.73	9.80	2970	13.6	13.0	12.5	3.30	A	2.00+2.00+2.00+1.46+1.83+3.51	12.80	3480	16.0	15.3	14.6	3.68	A		
1.5+1.5+1.5+1.5+1.8+5.0	12.8	1.50+1.50+1.50+0.96+1.15+3.19	9.80	2970	13.6	13.0	12.5	3.30	A	2.00+2.00+2.00+1.24+1.55+4.02	12.80	3480	16.0	15.3	14.6	3.68	A		
1.5+1.5+1.5+1.5+2.5+2.5	11.0	1.50+1.50+1.50+1.22+2.04+2.04	9.80	2970	13.6	13.0	12.5	3.30	A	2.00+2.00+2.00+1.39+2.71+2.71	12.80	3480	16.0	15.3	14.6	3.68	A		
1.5+1.5+1.5+1.5+2.5+3.5	12.0	1.50+1.50+1.50+1.06+1.77+2.47	9.80	2970	13.6	13.0	12.5	3.30	A	2.00+2.00+2.00+1.27+2.48+3.05	12.80	3480	16.0	15.3	14.6	3.68	A		
1.5+1.5+1.5+1.5+3.5+3.5	13.0	1.50+1.50+1.50+0.94+2.18+2.18	9.80	2970	13.6	13.0	12.5	3.30	A	2.00+2.00+2.00+1.17+2.81+2.81	12.80	3480	16.0	15.3	14.6	3.68	A		
1.5+1.5+1.5+1.5+1.8+1.8+1.8	9.9	1.50+1.50+1.50+1.77+1.77+1.77	9.80	2970	13.6	13.0	12.5	3.30	A	2.00+2.00+2.00+2.27+2.27+2.27	12.80	3480	16.0	15.3	14.6	3.68	A		
1.5+1.5+1.5+1.5+1.8+1.8+2.5	10.6	1.50+1.50+1.50+1.56+1.56+2.17	9.80	2970	13.6	13.0	12.5	3.30	A	2.00+2.00+2.00+1.91+1.91+2.98	12.80	3480	16.0	15.3	14.6	3.68	A		
1.5+1.5+1.5+1.5+1.8+1.8+3.5	11.6	1.50+1.50+1.50+1.34+1.34+2.61	9.80	2970	13.6	13.0	12.5	3.30	A	2.00+2.00+2.00+1.73+1.73+3.33	12.80	3480	16.0	15.3	14.6	3.68	A		
1.5+1.5+1.5+1.5+1.8+1.8+5.0	13.1	1.50+1.50+1.50+1.11+1.11+3.08	9.80	2970	13.6	13.0	12.5	3.30	A	2.00+2.00+2.00+1.48+1.48+3.84	12.80	3480	16.0	15.3	14.6	3.68	A		
1.5+1.5+1.5+1.5+1.8+2.5+2.5	11.3	1.50+1.50+1.50+1.40+1.95+1.95	9.80	2970	13.6	13.0	12.5	3.30	A	2.00+2.00+2.00+1.65+2.57+2.57	12.80	3480	16.0	15.3	14.6	3.68	A		
1.5+1.5+1.5+1.5+1.8+2.5+3.5	12.3	1.50+1.50+1.50+1.22+1.70+2.38	9.80	2970	13.6	13.0	12.5	3.30	A	2.00+2.00+2.00+1.52+2.37+2.91	12.80	3480	16.0	15.3	14.6	3.68	A		
1.5+1.5+1.5+1.5+1.8+3.5+3.5	13.3	1.50+1.50+1.50+1.08+2.11+2.11	9.80	2970	13.6	13.0	12.5	3.30	A	2.00+2.00+2.00+1.40+2.70+2.70	12.80	3480	16.0	15.3	14.6	3.68	A		
1.5+1.5+1.5+1.5+2.5+2.5+2.5	12.0	1.50+1.50+1.50+1.77+1.77+1.77	9.80	2970	13.6	13.0	12.5	3.30	A	2.00+2.00+2.00+2.27+2.27+2.27	12.80	3480	16.0	15.3	14.6	3.68	A		
1.5+1.5+1.5+1.5+2.5+2.5+3.5	13.0	1.50+1.50+1.50+1.56+1.56+2.18	9.80	2970	13.6	13.0	12.5	3.30	A	2.00+2.00+2.00+2.00+2.00+2.80	12.80	3480	16.0	15.3	14.6	3.68	A		

SIX UNITS

POSSIBLE COMBINATIONS TO OPERATE	TOTAL (kW)	COOLING									HEATING						
		CAPACITY RATING (kW) (RANGE)		TOTAL	OUTDOOR UNIT			ELECTR	Class	CAPACITY RATING (kW) (RANGE)		TOTAL	OUTDOOR UNIT			COP	Class
					TOTAL INPUT (W)	AMPERE(A)							TOTAL INPUT (W)	AMPERE(A)			
		220V	230V	240V	220V	230V	240V										
1.5+1.5+1.8+1.5+1.5+1.5	9.3	1.50+1.50+1.80+1.50+1.50+1.50 (1.5-11)	9.30	2840 (200 ~ 3360)	13.0	12.5	12.0	3.27	A	2.00+2.00+2.50+2.00+2.00+2.00 (1.5-12.8)	12.50	3420 (200 ~ 3310)	15.7	15.0	14.4	3.65	A
1.5+1.5+1.8+1.5+1.5+1.8	9.6	1.50+1.50+1.80+1.50+1.50+1.80 (1.5-12)	9.60	2940 (200 ~ 3360)	13.5	12.9	12.4	3.27	A	2.00+2.00+2.50+2.00+2.00+2.50 (1.5-13.2)	13.00	3480 (200 ~ 3520)	16.0	15.3	14.6	3.74	A
1.5+1.5+1.8+1.5+1.5+2.5	10.3	1.50+1.50+1.80+1.45+1.45+2.41 (1.5-12)	10.10	3070 (200 ~ 3340)	14.1	13.5	12.9	3.29	A	2.00+2.00+2.50+1.72+1.72+3.36 (1.5-13.8)	13.30	3540 (200 ~ 3620)	16.3	15.5	14.9	3.76	A
1.5+1.5+1.8+1.5+1.5+3.5	11.3	1.50+1.50+1.80+1.22+1.22+2.85 (1.5-12)	10.10	3070 (200 ~ 3360)	14.1	13.5	12.9	3.29	A	2.00+2.00+2.50+1.55+1.55+3.71 (1.5-13.8)	13.30	3540 (200 ~ 3620)	16.3	15.5	14.9	3.76	A
1.5+1.5+1.8+1.5+1.5+5.0	12.8	1.50+1.50+1.80+0.99+0.99+3.31 (1.5-12)	10.10	3070 (200 ~ 3360)	14.1	13.5	12.9	3.29	A	2.00+2.00+2.50+1.30+1.30+4.21 (1.5-13.8)	13.30	3540 (200 ~ 3620)	16.3	15.5	14.9	3.76	A
1.5+1.5+1.8+1.5+1.8+1.8	9.9	1.50+1.50+1.80+1.50+1.80+1.80 (1.5-12)	9.90	3020 (200 ~ 3340)	13.9	13.3	12.7	3.28	A	2.00+2.00+2.50+1.94+2.43+2.43 (1.5-13.8)	13.30	3540 (200 ~ 3620)	16.3	15.5	14.9	3.76	A
1.5+1.5+1.8+1.5+1.8+2.5	10.6	1.50+1.50+1.80+1.37+1.64+2.28 (1.5-12)	10.10	3070 (200 ~ 3360)	14.1	13.5	12.9	3.29	A	2.00+2.00+2.50+1.62+2.02+3.16 (1.5-13.8)	13.30	3540 (200 ~ 3620)	16.3	15.5	14.9	3.76	A
1.5+1.5+1.8+1.5+1.8+3.5	11.6	1.50+1.50+1.80+1.17+1.40+2.73 (1.5-12)	10.10	3070 (200 ~ 3360)	14.1	13.5	12.9	3.29	A	2.00+2.00+2.50+1.46+1.83+3.51 (1.5-13.8)	13.30	3540 (200 ~ 3620)	16.3	15.5	14.9	3.76	A
1.5+1.5+1.8+1.5+1.8+5.0	13.1	1.50+1.50+1.80+0.96+1.15+3.19 (1.5-12)	10.10	3070 (200 ~ 3360)	14.1	13.5	12.9	3.29	A	2.00+2.00+2.50+1.24+1.55+4.02 (1.5-13.8)	13.30	3540 (200 ~ 3620)	16.3	15.5	14.9	3.76	A
1.5+1.5+1.8+1.5+2.5+2.5	11.3	1.50+1.50+1.80+1.22+2.04+2.04 (1.5-12)	10.10	3070 (200 ~ 3360)	14.1	13.5	12.9	3.29	A	2.00+2.00+2.50+1.39+2.71+2.71 (1.5-13.8)	13.30	3540 (200 ~ 3620)	16.3	15.5	14.9	3.76	A
1.5+1.5+1.8+1.5+2.5+3.5	12.3	1.50+1.50+1.80+1.06+1.77+2.47 (1.5-12)	10.10	3070 (200 ~ 3360)	14.1	13.5	12.9	3.29	A	2.00+2.00+2.50+1.27+2.48+3.05 (1.5-13.8)	13.30	3540 (200 ~ 3620)	16.3	15.5	14.9	3.76	A
1.5+1.5+1.8+1.5+3.5+3.5	13.3	1.50+1.50+1.80+0.94+2.18+2.18 (1.5-12)	10.10	3070 (200 ~ 3360)	14.1	13.5	12.9	3.29	A	2.00+2.00+2.50+1.17+2.81+2.81 (1.5-13.8)	13.30	3540 (200 ~ 3620)	16.3	15.5	14.9	3.76	A
1.5+1.5+1.8+1.8+1.8+1.8	10.2	1.50+1.50+1.80+1.77+1.77+1.77 (1.5-12)	10.10	3070 (200 ~ 3360)	14.1	13.5	12.9	3.29	A	2.00+2.00+2.50+2.27+2.27+2.27 (1.5-13.8)	13.30	3540 (200 ~ 3620)	16.3	15.5	14.9	3.76	A
1.5+1.5+1.8+1.8+1.8+2.5	10.9	1.50+1.50+1.80+1.56+1.56+2.17 (1.5-12.4)	10.10	3070 (200 ~ 3360)	14.1	13.5	12.9	3.29	A	2.00+2.00+2.50+1.91+1.91+2.98 (1.5-13.8)	13.30	3540 (200 ~ 3620)	16.3	15.5	14.9	3.76	A
1.5+1.5+1.8+1.8+1.8+3.5	11.9	1.50+1.50+1.80+1.34+1.34+2.61 (1.5-12.6)	10.10	3070 (200 ~ 3360)	14.1	13.5	12.9	3.29	A	2.00+2.00+2.50+1.73+1.73+3.33 (1.5-13.8)	13.30	3540 (200 ~ 3620)	16.3	15.5	14.9	3.76	A
1.5+1.5+1.8+1.8+1.8+5.0	13.4	1.50+1.50+1.80+1.11+1.11+3.08 (1.5-12.6)	10.10	3070 (200 ~ 3360)	14.1	13.5	12.9	3.29	A	2.00+2.00+2.50+1.48+1.48+3.84 (1.5-13.8)	13.30	3540 (200 ~ 3620)	16.3	15.5	14.9	3.76	A
1.5+1.5+1.8+1.8+2.5+2.5	11.6	1.50+1.50+1.80+1.40+1.95+1.95 (1.5-12.6)	10.10	3070 (200 ~ 3360)	14.1	13.5	12.9	3.29	A	2.00+2.00+2.50+1.65+2.57+2.57 (1.5-13.8)	13.30	3540 (200 ~ 3620)	16.3	15.5	14.9	3.76	A
1.5+1.5+1.8+1.8+2.5+3.5	12.6	1.50+1.50+1.80+1.22+1.70+2.38 (1.5-12.6)	10.10	3070 (200 ~ 3360)	14.1	13.5	12.9	3.29	A	2.00+2.00+2.50+1.52+2.37+2.91 (1.5-13.8)	13.30	3540 (200 ~ 3620)	16.3	15.5	14.9	3.76	A
1.5+1.5+1.8+1.8+3.5+3.5	13.6	1.50+1.50+1.80+1.08+2.11+2.11 (1.5-12.6)	10.10	3070 (200 ~ 3360)	14.1	13.5	12.9	3.29	A	2.00+2.00+2.50+1.40+2.70+2.70 (1.5-13.8)	13.30	3540 (200 ~ 3620)	16.3	15.5	14.9	3.76	A
1.5+1.5+1.8+2.5+2.5+2.5	12.3	1.50+1.50+1.80+1.77+1.11+3.08 (1.5-12.6)	10.10	3070 (200 ~ 3360)	14.1	13.5	12.9	3.29	A	2.00+2.00+2.50+2.27+2.27+2.27 (1.5-13.8)	13.30	3540 (200 ~ 3620)	16.3	15.5	14.9	3.76	A
1.5+1.5+1.8+2.5+2.5+3.5	13.3	1.50+1.50+1.80+1.56+1.56+2.18 (1.5-12.6)	10.10	3070 (200 ~ 3360)	14.1	13.5	12.9	3.29	A	2.00+2.00+2.50+2.00+2.00+2.80 (1.5-13.8)	13.30	3540 (200 ~ 3620)	16.3	15.5	14.9	3.76	A

SIX UNITS

POSSIBLE COMBINATIONS TO OPERATE	TOTAL (kW)	COOLING								HEATING							
		CAPACITY RATING (kW) (RANGE)		OUTDOOR UNIT					EER	Class	CAPACITY RATING (kW) (RANGE)		OUTDOOR UNIT			COP	Class
				TOTAL	TOTAL INPUT (W)	AMPERE(A)							TOTAL	TOTAL INPUT (W)	AMPERE(A)		
		220V	230V			240V	220V	230V	240V								
1.5+1.5+2.5+1.5+1.5+1.5	10.0	1.45+1.45+2.41+1.50+1.50+1.50 (1.5-11)	9.80	2970 (200 - 3340)	13.6	13.0	12.5	3.30	A	1.72+1.72+3.36+2.00+2.00+2.00 (1.5-13.4)	12.80	3480 (200 - 3410)	16.0	15.3	14.6	3.68	A
1.5+1.5+2.5+1.5+1.5+1.8	10.3	1.45+1.45+2.41+1.50+1.50+1.80 (1.5-12)	10.10	3070 (200 - 3340)	14.1	13.5	12.9	3.29	A	1.72+1.72+3.36+2.00+2.00+2.50 (1.5-13.8)	13.30	3540 (200 - 3620)	16.3	15.5	14.9	3.76	A
1.5+1.5+2.5+1.5+1.5+2.5	11.0	1.45+1.45+2.41+1.45+1.45+2.41 (1.5-12)	10.60	3200 (200 - 3320)	14.7	14.1	13.5	3.31	A	1.72+1.72+3.36+1.72+1.72+3.36 (1.5-14.4)	13.60	3600 (200 - 3720)	16.5	15.8	15.2	3.78	A
1.5+1.5+2.5+1.5+1.5+3.5	12.0	1.45+1.45+2.41+1.22+1.22+2.85 (1.5-12)	10.60	3200 (200 - 3340)	14.7	14.1	13.5	3.31	A	1.72+1.72+3.36+1.55+1.55+3.71 (1.5-14.4)	13.60	3600 (200 - 3720)	16.5	15.8	15.2	3.78	A
1.5+1.5+2.5+1.5+1.5+5.0	13.5	1.45+1.45+2.41+0.99+0.99+3.31 (1.5-12)	10.60	3200 (200 - 3340)	14.7	14.1	13.5	3.31	A	1.72+1.72+3.36+1.30+1.30+4.21 (1.5-14.4)	13.60	3600 (200 - 3720)	16.5	15.8	15.2	3.78	A
1.5+1.5+2.5+1.5+1.8+1.8	10.6	1.45+1.45+2.41+1.50+1.80+1.80 (1.5-12)	10.40	3150 (200 - 3320)	14.5	13.8	13.3	3.30	A	1.72+1.72+3.36+1.94+2.43+2.43 (1.5-14.4)	13.60	3600 (200 - 3720)	16.5	15.8	15.2	3.78	A
1.5+1.5+2.5+1.5+1.8+2.5	11.3	1.45+1.45+2.41+1.37+1.64+2.28 (1.5-12)	10.60	3200 (200 - 3340)	14.7	14.1	13.5	3.31	A	1.72+1.72+3.36+1.62+2.02+3.16 (1.5-14.4)	13.60	3600 (200 - 3720)	16.5	15.8	15.2	3.78	A
1.5+1.5+2.5+1.5+1.8+3.5	12.3	1.45+1.45+2.41+1.17+1.40+2.73 (1.5-12)	10.60	3200 (200 - 3340)	14.7	14.1	13.5	3.31	A	1.72+1.72+3.36+1.46+1.83+3.51 (1.5-14.4)	13.60	3600 (200 - 3720)	16.5	15.8	15.2	3.78	A
1.5+1.5+2.5+1.5+1.8+5.0	13.8	1.45+1.45+2.41+0.96+1.15+3.19 (1.5-12)	10.60	3200 (200 - 3340)	14.7	14.1	13.5	3.31	A	1.72+1.72+3.36+1.24+1.55+4.02 (1.5-14.4)	13.60	3600 (200 - 3720)	16.5	15.8	15.2	3.78	A
1.5+1.5+2.5+1.5+2.5+2.5	12.0	1.45+1.45+2.41+1.22+2.04+2.04 (1.5-12)	10.60	3200 (200 - 3340)	14.7	14.1	13.5	3.31	A	1.72+1.72+3.36+1.39+2.71+2.71 (1.5-14.4)	13.60	3600 (200 - 3720)	16.5	15.8	15.2	3.78	A
1.5+1.5+2.5+1.5+2.5+3.5	13.0	1.45+1.45+2.41+1.06+1.77+2.47 (1.5-12)	10.60	3200 (200 - 3340)	14.7	14.1	13.5	3.31	A	1.72+1.72+3.36+1.27+2.48+3.05 (1.5-14.4)	13.60	3600 (200 - 3720)	16.5	15.8	15.2	3.78	A
1.5+1.5+2.5+1.5+3.5+3.5	14.0	1.45+1.45+2.41+0.94+2.18+2.18 (1.5-12)	10.60	3200 (200 - 3340)	14.7	14.1	13.5	3.31	A	1.72+1.72+3.36+1.17+2.81+2.81 (1.5-14.4)	13.60	3600 (200 - 3720)	16.5	15.8	15.2	3.78	A
1.5+1.5+2.5+1.8+1.8+1.8	10.9	1.45+1.45+2.41+1.77+1.77+1.77 (1.5-12)	10.60	3200 (200 - 3340)	14.7	14.1	13.5	3.31	A	1.72+1.72+3.36+2.27+2.27+2.27 (1.5-14.4)	13.60	3600 (200 - 3720)	16.5	15.8	15.2	3.78	A
1.5+1.5+2.5+1.8+1.8+2.5	11.6	1.45+1.45+2.41+1.56+1.56+2.17 (1.5-12.4)	10.60	3200 (200 - 3340)	14.7	14.1	13.5	3.31	A	1.72+1.72+3.36+1.91+1.91+2.98 (1.5-14.4)	13.60	3600 (200 - 3720)	16.5	15.8	15.2	3.78	A
1.5+1.5+2.5+1.8+1.8+3.5	12.6	1.45+1.45+2.41+1.34+1.34+2.61 (1.5-12.6)	10.60	3200 (200 - 3340)	14.7	14.1	13.5	3.31	A	1.72+1.72+3.36+1.73+1.73+3.33 (1.5-14.4)	13.60	3600 (200 - 3720)	16.5	15.8	15.2	3.78	A
1.5+1.5+2.5+1.8+1.8+5.0	14.1	1.45+1.45+2.41+1.11+1.11+3.08 (1.5-12.6)	10.60	3200 (200 - 3340)	14.7	14.1	13.5	3.31	A	1.72+1.72+3.36+1.48+1.48+3.84 (1.5-14.4)	13.60	3600 (200 - 3720)	16.5	15.8	15.2	3.78	A
1.5+1.5+2.5+1.8+2.5+2.5	12.3	1.45+1.45+2.41+1.40+1.95+1.95 (1.5-12.6)	10.60	3200 (200 - 3340)	14.7	14.1	13.5	3.31	A	1.72+1.72+3.36+1.65+2.57+2.57 (1.5-14.4)	13.60	3600 (200 - 3720)	16.5	15.8	15.2	3.78	A
1.5+1.5+2.5+1.8+2.5+3.5	13.3	1.45+1.45+2.41+1.22+1.70+2.38 (1.5-12.6)	10.60	3200 (200 - 3340)	14.7	14.1	13.5	3.31	A	1.72+1.72+3.36+1.52+2.37+2.91 (1.5-14.4)	13.60	3600 (200 - 3720)	16.5	15.8	15.2	3.78	A
1.5+1.5+2.5+1.8+3.5+3.5	14.3	1.45+1.45+2.41+1.08+2.11+2.11 (1.5-12.6)	10.60	3200 (200 - 3340)	14.7	14.1	13.5	3.31	A	1.72+1.72+3.36+1.40+2.70+2.70 (1.5-14.4)	13.60	3600 (200 - 3720)	16.5	15.8	15.2	3.78	A
1.5+1.5+2.5+2.5+2.5+2.5	13.0	1.45+1.45+2.41+1.77+1.77+1.77 (1.5-12.6)	10.60	3200 (200 - 3340)	14.7	14.1	13.5	3.31	A	1.72+1.72+3.36+2.27+2.27+2.27 (1.5-14.4)	13.60	3600 (200 - 3720)	16.5	15.8	15.2	3.78	A
1.5+1.5+2.5+2.5+2.5+3.5	14.0	1.45+1.45+2.41+1.56+1.56+2.18 (1.5-12.6)	10.60	3200 (200 - 3340)	14.7	14.1	13.5	3.31	A	1.72+1.72+3.36+2.00+2.00+2.80 (1.5-14.4)	13.60	3600 (200 - 3720)	16.5	15.8	15.2	3.78	A

SIX UNITS

POSSIBLE COMBINATIONS TO OPERATE	TOTAL (kW)	COOLING									HEATING						
		CAPACITY RATING (kW) (RANGE)		TOTAL	OUTDOOR UNIT			ELECTR	Class	CAPACITY RATING (kW) (RANGE)		TOTAL	OUTDOOR UNIT			COP	Class
					TOTAL INPUT (W)	AMPERE(A)							TOTAL INPUT (W)	AMPERE(A)			
		220V	230V	240V	220V	230V	240V	220V	230V	240V							
1.5+1.5+3.5+1.5+1.5+1.5	11.0	1.22+1.22+2.85+1.50+1.50+1.50 (1.5-11)	9.80	2970 (200 ~ 3360)	13.6	13.0	12.5	3.30	A	1.55+1.55+3.71+2.00+2.00+2.00 (1.5-13.4)	12.80	3480 (200 ~ 3410)	16.0	15.3	14.6	3.68	A
1.5+1.5+3.5+1.5+1.5+1.8	11.3	1.22+1.22+2.85+1.50+1.50+1.80 (1.5-12)	10.10	3070 (200 ~ 3360)	14.1	13.5	12.9	3.29	A	1.55+1.55+3.71+2.00+2.00+2.50 (1.5-13.8)	13.30	3540 (200 ~ 3620)	16.3	15.5	14.9	3.76	A
1.5+1.5+3.5+1.5+1.5+2.5	12.0	1.22+1.22+2.85+1.45+1.45+2.41 (1.5-12)	10.60	3200 (200 ~ 3340)	14.7	14.1	13.5	3.31	A	1.55+1.55+3.71+1.72+1.72+3.36 (1.5-14.4)	13.60	3600 (200 ~ 3720)	16.5	15.8	15.2	3.78	A
1.5+1.5+3.5+1.5+1.5+3.5	13.0	1.22+1.22+2.85+1.22+1.22+2.85 (1.5-12)	10.60	3200 (200 ~ 3360)	14.7	14.1	13.5	3.31	A	1.55+1.55+3.71+1.55+1.55+3.71 (1.5-14.4)	13.60	3600 (200 ~ 3720)	16.5	15.8	15.2	3.78	A
1.5+1.5+3.5+1.5+1.5+5.0	14.5	1.22+1.22+2.85+0.99+0.99+3.31 (1.5-12)	10.60	3200 (200 ~ 3360)	14.7	14.1	13.5	3.31	A	1.55+1.55+3.71+1.30+1.30+4.21 (1.5-14.4)	13.60	3600 (200 ~ 3720)	16.5	15.8	15.2	3.78	A
1.5+1.5+3.5+1.5+1.8+1.8	11.6	1.22+1.22+2.85+1.50+1.80+1.80 (1.5-12)	10.40	3150 (200 ~ 3340)	14.5	13.8	13.3	3.30	A	1.55+1.55+3.71+1.94+2.43+2.43 (1.5-14.4)	13.60	3600 (200 ~ 3720)	16.5	15.8	15.2	3.78	A
1.5+1.5+3.5+1.5+1.8+2.5	12.3	1.22+1.22+2.85+1.37+1.64+2.28 (1.5-12)	10.60	3200 (200 ~ 3360)	14.7	14.1	13.5	3.31	A	1.55+1.55+3.71+1.62+2.02+3.16 (1.5-14.4)	13.60	3600 (200 ~ 3720)	16.5	15.8	15.2	3.78	A
1.5+1.5+3.5+1.5+1.8+3.5	13.3	1.22+1.22+2.85+1.17+1.40+2.73 (1.5-12)	10.60	3200 (200 ~ 3360)	14.7	14.1	13.5	3.31	A	1.55+1.55+3.71+1.46+1.83+3.51 (1.5-14.4)	13.60	3600 (200 ~ 3720)	16.5	15.8	15.2	3.78	A
1.5+1.5+3.5+1.5+1.8+5.0	14.8	1.22+1.22+2.85+0.96+1.15+3.19 (1.5-12)	10.60	3200 (200 ~ 3360)	14.7	14.1	13.5	3.31	A	1.55+1.55+3.71+1.24+1.55+4.02 (1.5-14.4)	13.60	3600 (200 ~ 3720)	16.5	15.8	15.2	3.78	A
1.5+1.5+3.5+1.5+2.5+2.5	13.0	1.22+1.22+2.85+1.22+2.04+2.04 (1.5-12)	10.60	3200 (200 ~ 3360)	14.7	14.1	13.5	3.31	A	1.55+1.55+3.71+1.39+2.71+2.71 (1.5-14.4)	13.60	3600 (200 ~ 3720)	16.5	15.8	15.2	3.78	A
1.5+1.5+3.5+1.5+2.5+3.5	14.0	1.22+1.22+2.85+1.06+1.77+2.47 (1.5-12)	10.60	3200 (200 ~ 3360)	14.7	14.1	13.5	3.31	A	1.55+1.55+3.71+1.27+2.48+3.05 (1.5-14.4)	13.60	3600 (200 ~ 3720)	16.5	15.8	15.2	3.78	A
1.5+1.5+3.5+1.5+3.5+3.5	15.0	1.22+1.22+2.85+0.94+2.18+2.18 (1.5-12)	10.60	3200 (200 ~ 3360)	14.7	14.1	13.5	3.31	A	1.55+1.55+3.71+1.17+2.81+2.81 (1.5-14.4)	13.60	3600 (200 ~ 3720)	16.5	15.8	15.2	3.78	A
1.5+1.5+3.5+1.8+1.8+1.8	11.9	1.22+1.22+2.85+1.77+1.77+1.77 (1.5-12)	10.60	3200 (200 ~ 3360)	14.7	14.1	13.5	3.31	A	1.55+1.55+3.71+2.27+2.27+2.27 (1.5-14.4)	13.60	3600 (200 ~ 3720)	16.5	15.8	15.2	3.78	A
1.5+1.5+3.5+1.8+1.8+2.5	12.6	1.22+1.22+2.85+1.56+1.56+2.17 (1.5-12.4)	10.60	3200 (200 ~ 3360)	14.7	14.1	13.5	3.31	A	1.55+1.55+3.71+1.91+1.91+2.98 (1.5-14.4)	13.60	3600 (200 ~ 3720)	16.5	15.8	15.2	3.78	A
1.5+1.5+3.5+1.8+1.8+3.5	13.6	1.22+1.22+2.85+1.34+1.34+2.61 (1.5-12.6)	10.60	3200 (200 ~ 3360)	14.7	14.1	13.5	3.31	A	1.55+1.55+3.71+1.73+1.73+3.33 (1.5-14.4)	13.60	3600 (200 ~ 3720)	16.5	15.8	15.2	3.78	A
1.5+1.5+3.5+1.8+1.8+5.0	15.1	1.22+1.22+2.85+1.11+1.11+3.08 (1.5-12.6)	10.60	3200 (200 ~ 3360)	14.7	14.1	13.5	3.31	A	1.55+1.55+3.71+1.48+1.48+3.84 (1.5-14.4)	13.60	3600 (200 ~ 3720)	16.5	15.8	15.2	3.78	A
1.5+1.5+3.5+1.8+2.5+2.5	13.3	1.22+1.22+2.85+1.40+1.95+1.95 (1.5-12.6)	10.60	3200 (200 ~ 3360)	14.7	14.1	13.5	3.31	A	1.55+1.55+3.71+1.65+2.57+2.57 (1.5-14.4)	13.60	3600 (200 ~ 3720)	16.5	15.8	15.2	3.78	A
1.5+1.5+3.5+1.8+2.5+3.5	14.3	1.22+1.22+2.85+1.22+1.70+2.38 (1.5-12.6)	10.60	3200 (200 ~ 3360)	14.7	14.1	13.5	3.31	A	1.55+1.55+3.71+1.52+2.37+2.91 (1.5-14.4)	13.60	3600 (200 ~ 3720)	16.5	15.8	15.2	3.78	A
1.5+1.5+3.5+1.8+3.5+3.5	15.3	1.22+1.22+2.85+1.08+2.11+2.11 (1.5-12.6)	10.60	3200 (200 ~ 3360)	14.7	14.1	13.5	3.31	A	1.55+1.55+3.71+1.40+2.70+2.70 (1.5-14.4)	13.60	3600 (200 ~ 3720)	16.5	15.8	15.2	3.78	A
1.5+1.5+3.5+2.5+2.5+2.5	14.0	1.22+1.22+2.85+1.77+1.77+1.77 (1.5-12.6)	10.60	3200 (200 ~ 3360)	14.7	14.1	13.5	3.31	A	1.55+1.55+3.71+2.27+2.27+2.27 (1.5-14.4)	13.60	3600 (200 ~ 3720)	16.5	15.8	15.2	3.78	A
1.5+1.5+3.5+2.5+2.5+3.5	15.0	1.22+1.22+2.85+1.56+1.56+2.18 (1.5-12.6)	10.60	3200 (200 ~ 3360)	14.7	14.1	13.5	3.31	A	1.55+1.55+3.71+2.00+2.00+2.80 (1.5-14.4)	13.60	3600 (200 ~ 3720)	16.5	15.8	15.2	3.78	A

SIX UNITS

POSSIBLE COMBINATIONS TO OPERATE	TOTAL (kW)	COOLING								HEATING							
		CAPACITY RATING (kW) (RANGE)		OUTDOOR UNIT					EER	Class	CAPACITY RATING (kW) (RANGE)		OUTDOOR UNIT			COP	Class
				TOTAL	TOTAL INPUT (W)	AMPERE(A)							TOTAL	TOTAL INPUT (W)	AMPERE(A)		
		220V	230V			240V	220V	230V	240V								
1.5+1.5+5.0+ 1.5+1.5+1.5	12.5	0.99+0.99+3.31+ 1.50+1.50+1.50 (1.5-11)	9.80	2970 (200 - 3360)	13.6	13.0	12.5	3.30	A	1.30+1.30+4.21+ 2.00+2.00+2.00 (1.5-13.4)	12.80	3480 (200 - 3410)	16.0	15.3	14.6	3.68	A
1.5+1.5+5.0+ 1.5+1.5+1.8	12.8	0.99+0.99+3.31+ 1.50+1.50+1.80 (1.5-12)	10.10	3070 (200 - 3360)	14.1	13.5	12.9	3.29	A	1.30+1.30+4.21+ 2.00+2.00+2.50 (1.5-13.8)	13.30	3540 (200 - 3620)	16.3	15.5	14.9	3.76	A
1.5+1.5+5.0+ 1.5+1.5+2.5	13.5	0.99+0.99+3.31+ 1.45+1.45+2.41 (1.5-12)	10.60	3200 (200 - 3340)	14.7	14.1	13.5	3.31	A	1.30+1.30+4.21+ 1.72+1.72+3.36 (1.5-14.4)	13.60	3600 (200 - 3720)	16.5	15.8	15.2	3.78	A
1.5+1.5+5.0+ 1.5+1.5+3.5	14.5	0.99+0.99+3.31+ 1.22+1.22+2.85 (1.5-12)	10.60	3200 (200 - 3360)	14.7	14.1	13.5	3.31	A	1.30+1.30+4.21+ 1.55+1.55+3.71 (1.5-14.4)	13.60	3600 (200 - 3720)	16.5	15.8	15.2	3.78	A
1.5+1.5+5.0+ 1.5+1.5+5.0	16.0	0.99+0.99+3.31+ 0.99+0.99+3.31 (1.5-12)	10.60	3200 (200 - 3360)	14.7	14.1	13.5	3.31	A	1.30+1.30+4.21+ 1.30+1.30+4.21 (1.5-14.4)	13.60	3600 (200 - 3720)	16.5	15.8	15.2	3.78	A
1.5+1.5+5.0+ 1.5+1.8+1.8	13.1	0.99+0.99+3.31+ 1.50+1.80+1.80 (1.5-12)	10.40	3150 (200 - 3340)	14.5	13.8	13.3	3.30	A	1.30+1.30+4.21+ 1.94+2.43+2.43 (1.5-14.4)	13.60	3600 (200 - 3720)	16.5	15.8	15.2	3.78	A
1.5+1.5+5.0+ 1.5+1.8+2.5	13.8	0.99+0.99+3.31+ 1.37+1.64+2.28 (1.5-12)	10.60	3200 (200 - 3360)	14.7	14.1	13.5	3.31	A	1.30+1.30+4.21+ 1.62+2.02+3.16 (1.5-14.4)	13.60	3600 (200 - 3720)	16.5	15.8	15.2	3.78	A
1.5+1.5+5.0+ 1.5+1.8+3.5	14.8	0.99+0.99+3.31+ 1.17+1.40+2.73 (1.5-12)	10.60	3200 (200 - 3360)	14.7	14.1	13.5	3.31	A	1.30+1.30+4.21+ 1.46+1.83+3.51 (1.5-14.4)	13.60	3600 (200 - 3720)	16.5	15.8	15.2	3.78	A
1.5+1.5+5.0+ 1.5+1.8+5.0	16.3	0.99+0.99+3.31+ 0.96+1.15+3.19 (1.5-12)	10.60	3200 (200 - 3360)	14.7	14.1	13.5	3.31	A	1.30+1.30+4.21+ 1.24+1.55+4.02 (1.5-14.4)	13.60	3600 (200 - 3720)	16.5	15.8	15.2	3.78	A
1.5+1.5+5.0+ 1.5+2.5+2.5	14.5	0.99+0.99+3.31+ 1.22+2.04+2.04 (1.5-12)	10.60	3200 (200 - 3360)	14.7	14.1	13.5	3.31	A	1.30+1.30+4.21+ 1.39+2.71+2.71 (1.5-14.4)	13.60	3600 (200 - 3720)	16.5	15.8	15.2	3.78	A
1.5+1.5+5.0+ 1.5+2.5+3.5	15.5	0.99+0.99+3.31+ 1.06+1.77+2.47 (1.5-12)	10.60	3200 (200 - 3360)	14.7	14.1	13.5	3.31	A	1.30+1.30+4.21+ 1.27+2.48+3.05 (1.5-14.4)	13.60	3600 (200 - 3720)	16.5	15.8	15.2	3.78	A
1.5+1.5+5.0+ 1.5+3.5+3.5	16.5	0.99+0.99+3.31+ 0.94+2.18+2.18 (1.5-12)	10.60	3200 (200 - 3360)	14.7	14.1	13.5	3.31	A	1.30+1.30+4.21+ 1.17+2.81+2.81 (1.5-14.4)	13.60	3600 (200 - 3720)	16.5	15.8	15.2	3.78	A
1.5+1.5+5.0+ 1.8+1.8+1.8	13.4	0.99+0.99+3.31+ 1.77+1.77+1.77 (1.5-12)	10.60	3200 (200 - 3360)	14.7	14.1	13.5	3.31	A	1.30+1.30+4.21+ 2.27+2.27+2.27 (1.5-14.4)	13.60	3600 (200 - 3720)	16.5	15.8	15.2	3.78	A
1.5+1.5+5.0+ 1.8+1.8+2.5	14.1	0.99+0.99+3.31+ 1.56+1.56+2.17 (1.5-12.4)	10.60	3200 (200 - 3360)	14.7	14.1	13.5	3.31	A	1.30+1.30+4.21+ 1.91+1.91+2.98 (1.5-14.4)	13.60	3600 (200 - 3720)	16.5	15.8	15.2	3.78	A
1.5+1.5+5.0+ 1.8+1.8+3.5	15.1	0.99+0.99+3.31+ 1.34+1.34+2.61 (1.5-12.6)	10.60	3200 (200 - 3360)	14.7	14.1	13.5	3.31	A	1.30+1.30+4.21+ 1.73+1.73+3.33 (1.5-14.4)	13.60	3600 (200 - 3720)	16.5	15.8	15.2	3.78	A
1.5+1.5+5.0+ 1.8+1.8+5.0	16.6	0.99+0.99+3.31+ 1.11+1.11+3.08 (1.5-12.6)	10.60	3200 (200 - 3360)	14.7	14.1	13.5	3.31	A	1.30+1.30+4.21+ 1.48+1.48+3.84 (1.5-14.4)	13.60	3600 (200 - 3720)	16.5	15.8	15.2	3.78	A
1.5+1.5+5.0+ 1.8+2.5+2.5	14.8	0.99+0.99+3.31+ 1.40+1.95+1.95 (1.5-12.6)	10.60	3200 (200 - 3360)	14.7	14.1	13.5	3.31	A	1.30+1.30+4.21+ 1.65+2.57+2.57 (1.5-14.4)	13.60	3600 (200 - 3720)	16.5	15.8	15.2	3.78	A
1.5+1.5+5.0+ 1.8+2.5+3.5	15.8	0.99+0.99+3.31+ 1.22+1.70+2.38 (1.5-12.6)	10.60	3200 (200 - 3360)	14.7	14.1	13.5	3.31	A	1.30+1.30+4.21+ 1.52+2.37+2.91 (1.5-14.4)	13.60	3600 (200 - 3720)	16.5	15.8	15.2	3.78	A
1.5+1.5+5.0+ 1.8+3.5+3.5	16.8	0.99+0.99+3.31+ 1.08+2.11+2.11 (1.5-12.6)	10.60	3200 (200 - 3360)	14.7	14.1	13.5	3.31	A	1.30+1.30+4.21+ 1.40+2.70+2.70 (1.5-14.4)	13.60	3600 (200 - 3720)	16.5	15.8	15.2	3.78	A
1.5+1.5+5.0+ 2.5+2.5+2.5	15.5	0.99+0.99+3.31+ 1.77+1.77+1.77 (1.5-12.6)	10.60	3200 (200 - 3360)	14.7	14.1	13.5	3.31	A	1.30+1.30+4.21+ 2.27+2.27+2.27 (1.5-14.4)	13.60	3600 (200 - 3720)	16.5	15.8	15.2	3.78	A
1.5+1.5+5.0+ 2.5+2.5+3.5	16.5	0.99+0.99+3.31+ 1.56+1.56+2.18 (1.5-12.6)	10.60	3200 (200 - 3360)	14.7	14.1	13.5	3.31	A	1.30+1.30+4.21+ 2.00+2.00+2.80 (1.5-14.4)	13.60	3600 (200 - 3720)	16.5	15.8	15.2	3.78	A

SIX UNITS



POSSIBLE COMBINATIONS TO OPERATE	TOTAL (kW)	COOLING									HEATING						
		CAPACITY RATING (kW) (RANGE)		TOTAL	OUTDOOR UNIT			ELECTR	Class	CAPACITY RATING (kW) (RANGE)		TOTAL	OUTDOOR UNIT			COP	Class
					TOTAL INPUT (W)	AMPERE(A)							TOTAL INPUT (W)	AMPERE(A)			
		220V	230V	240V	220V	230V	240V										
1.5+1.8+1.8+1.5+1.5+1.5	9.6	1.50+1.80+1.80+1.50+1.50+1.50 (1.5-11)	9.60	2920 (200 ~ 3340)	13.4	12.8	12.3	3.29	A	1.94+2.43+2.43+2.00+2.00+2.00 (1.5-13.4)	12.80	3480 (200 ~ 3410)	16.0	15.3	14.6	3.68	A
1.5+1.8+1.8+1.5+1.5+1.8	9.9	1.50+1.80+1.80+1.50+1.50+1.80 (1.5-12)	9.90	3020 (200 ~ 3340)	13.9	13.3	12.7	3.28	A	1.94+2.43+2.43+2.00+2.00+2.50 (1.5-13.8)	13.30	3540 (200 ~ 3620)	16.3	15.5	14.9	3.76	A
1.5+1.8+1.8+1.5+1.5+2.5	10.6	1.50+1.80+1.80+1.45+1.45+2.41 (1.5-12)	10.40	3150 (200 ~ 3320)	14.5	13.8	13.3	3.30	A	1.94+2.43+2.43+1.72+1.72+3.36 (1.5-14.4)	13.60	3600 (200 ~ 3720)	16.5	15.8	15.2	3.78	A
1.5+1.8+1.8+1.5+1.5+3.5	11.6	1.50+1.80+1.80+1.22+1.22+2.85 (1.5-12)	10.40	3150 (200 ~ 3340)	14.5	13.8	13.3	3.30	A	1.94+2.43+2.43+1.55+1.55+3.71 (1.5-14.4)	13.60	3600 (200 ~ 3720)	16.5	15.8	15.2	3.78	A
1.5+1.8+1.8+1.5+1.5+5.0	13.1	1.50+1.80+1.80+0.99+0.99+3.31 (1.5-12)	10.40	3150 (200 ~ 3340)	14.5	13.8	13.3	3.30	A	1.94+2.43+2.43+1.30+1.30+4.21 (1.5-14.4)	13.60	3600 (200 ~ 3720)	16.5	15.8	15.2	3.78	A
1.5+1.8+1.8+1.5+1.8+1.8	10.2	1.50+1.80+1.80+1.50+1.80+1.80 (1.5-12)	10.20	3100 (200 ~ 3320)	14.2	13.6	13.0	3.29	A	1.94+2.43+2.43+1.94+2.43+2.43 (1.5-14.4)	13.60	3600 (200 ~ 3720)	16.5	15.8	15.2	3.78	A
1.5+1.8+1.8+1.5+1.8+2.5	10.9	1.50+1.80+1.80+1.37+1.64+2.28 (1.5-12)	10.40	3150 (200 ~ 3340)	14.5	13.8	13.3	3.30	A	1.94+2.43+2.43+1.62+2.02+3.16 (1.5-14.4)	13.60	3600 (200 ~ 3720)	16.5	15.8	15.2	3.78	A
1.5+1.8+1.8+1.5+1.8+3.5	11.9	1.50+1.80+1.80+1.17+1.40+2.73 (1.5-12)	10.40	3150 (200 ~ 3340)	14.5	13.8	13.3	3.30	A	1.94+2.43+2.43+1.46+1.83+3.51 (1.5-14.4)	13.60	3600 (200 ~ 3720)	16.5	15.8	15.2	3.78	A
1.5+1.8+1.8+1.5+1.8+5.0	13.4	1.50+1.80+1.80+0.96+1.15+3.19 (1.5-12)	10.40	3150 (200 ~ 3340)	14.5	13.8	13.3	3.30	A	1.94+2.43+2.43+1.24+1.55+4.02 (1.5-14.4)	13.60	3600 (200 ~ 3720)	16.5	15.8	15.2	3.78	A
1.5+1.8+1.8+1.5+2.5+2.5	11.6	1.50+1.80+1.80+1.22+2.04+2.04 (1.5-12)	10.40	3150 (200 ~ 3340)	14.5	13.8	13.3	3.30	A	1.94+2.43+2.43+1.39+2.71+2.71 (1.5-14.4)	13.60	3600 (200 ~ 3720)	16.5	15.8	15.2	3.78	A
1.5+1.8+1.8+1.5+2.5+3.5	12.6	1.50+1.80+1.80+1.06+1.77+2.47 (1.5-12)	10.40	3150 (200 ~ 3340)	14.5	13.8	13.3	3.30	A	1.94+2.43+2.43+1.27+2.48+3.05 (1.5-14.4)	13.60	3600 (200 ~ 3720)	16.5	15.8	15.2	3.78	A
1.5+1.8+1.8+1.5+3.5+3.5	13.6	1.50+1.80+1.80+0.94+2.18+2.18 (1.5-12)	10.40	3150 (200 ~ 3340)	14.5	13.8	13.3	3.30	A	1.94+2.43+2.43+1.17+2.81+2.81 (1.5-14.4)	13.60	3600 (200 ~ 3720)	16.5	15.8	15.2	3.78	A
1.5+1.8+1.8+1.8+1.8+1.8	10.5	1.50+1.80+1.80+1.77+1.77+1.77 (1.5-12)	10.40	3150 (200 ~ 3340)	14.5	13.8	13.3	3.30	A	1.94+2.43+2.43+2.27+2.27+2.27 (1.5-14.4)	13.60	3600 (200 ~ 3720)	16.5	15.8	15.2	3.78	A
1.5+1.8+1.8+1.8+1.8+2.5	11.2	1.50+1.80+1.80+1.56+1.56+2.17 (1.5-12.4)	10.40	3150 (200 ~ 3340)	14.5	13.8	13.3	3.30	A	1.94+2.43+2.43+1.91+1.91+2.98 (1.5-14.4)	13.60	3600 (200 ~ 3720)	16.5	15.8	15.2	3.78	A
1.5+1.8+1.8+1.8+1.8+3.5	12.2	1.50+1.80+1.80+1.34+1.34+2.61 (1.5-12.6)	10.40	3150 (200 ~ 3340)	14.5	13.8	13.3	3.30	A	1.94+2.43+2.43+1.73+1.73+3.33 (1.5-14.4)	13.60	3600 (200 ~ 3720)	16.5	15.8	15.2	3.78	A
1.5+1.8+1.8+1.8+1.8+5.0	13.7	1.50+1.80+1.80+1.11+1.11+3.08 (1.5-12.6)	10.40	3150 (200 ~ 3340)	14.5	13.8	13.3	3.30	A	1.94+2.43+2.43+1.48+1.48+3.84 (1.5-14.4)	13.60	3600 (200 ~ 3720)	16.5	15.8	15.2	3.78	A
1.5+1.8+1.8+1.8+2.5+2.5	11.9	1.50+1.80+1.80+1.40+1.95+1.95 (1.5-12.6)	10.40	3150 (200 ~ 3340)	14.5	13.8	13.3	3.30	A	1.94+2.43+2.43+1.65+2.57+2.57 (1.5-14.4)	13.60	3600 (200 ~ 3720)	16.5	15.8	15.2	3.78	A
1.5+1.8+1.8+1.8+2.5+3.5	12.9	1.50+1.80+1.80+1.22+1.70+2.38 (1.5-12.6)	10.40	3150 (200 ~ 3340)	14.5	13.8	13.3	3.30	A	1.94+2.43+2.43+1.52+2.37+2.91 (1.5-14.4)	13.60	3600 (200 ~ 3720)	16.5	15.8	15.2	3.78	A
1.5+1.8+1.8+1.8+3.5+3.5	13.9	1.50+1.80+1.80+1.08+2.11+2.11 (1.5-12.6)	10.40	3150 (200 ~ 3340)	14.5	13.8	13.3	3.30	A	1.94+2.43+2.43+1.40+2.70+2.70 (1.5-14.4)	13.60	3600 (200 ~ 3720)	16.5	15.8	15.2	3.78	A
1.5+1.8+1.8+2.5+2.5+2.5	12.6	1.50+1.80+1.80+1.77+1.11+3.08 (1.5-12.6)	10.40	3150 (200 ~ 3340)	14.5	13.8	13.3	3.30	A	1.94+2.43+2.43+2.27+2.27+2.27 (1.5-14.4)	13.60	3600 (200 ~ 3720)	16.5	15.8	15.2	3.78	A
1.5+1.8+1.8+2.5+2.5+3.5	13.6	1.50+1.80+1.80+1.56+1.56+2.18 (1.5-12.6)	10.40	3150 (200 ~ 3340)	14.5	13.8	13.3	3.30	A	1.94+2.43+2.43+2.00+2.00+2.80 (1.5-14.4)	13.60	3600 (200 ~ 3720)	16.5	15.8	15.2	3.78	A

SIX UNITS

POSSIBLE COMBINATIONS TO OPERATE	TOTAL (kW)	COOLING								HEATING							
		CAPACITY RATING (kW) (RANGE)		OUTDOOR UNIT				EER	Class	CAPACITY RATING (kW) (RANGE)		OUTDOOR UNIT				COP	Class
				TOTAL (W)	AMPERE(A)							TOTAL (W)	AMPERE(A)				
		220V	230V		240V	220V	230V	240V									
1.5+1.8+2.5+1.5+1.5+1.5	10.3	1.37+1.64+2.28+1.50+1.50+1.50 (1.5-11)	9.80	2970 (200 - 3360)	13.6	13.0	12.5	3.30	A	1.62+2.02+3.16+2.00+2.00+2.00 (1.5-13.4)	12.80	3480 (200 - 3410)	16.0	15.3	14.6	3.68	A
1.5+1.8+2.5+1.5+1.5+1.8	10.6	1.37+1.64+2.28+1.50+1.50+1.80 (1.5-12)	10.10	3070 (200 - 3360)	14.1	13.5	12.9	3.29	A	1.62+2.02+3.16+2.00+2.00+2.50 (1.5-13.8)	13.30	3540 (200 - 3620)	16.3	15.5	14.9	3.76	A
1.5+1.8+2.5+1.5+1.5+2.5	11.3	1.37+1.64+2.28+1.45+1.45+2.41 (1.5-12)	10.60	3200 (200 - 3340)	14.7	14.1	13.5	3.31	A	1.62+2.02+3.16+1.72+1.72+3.36 (1.5-14.4)	13.60	3600 (200 - 3720)	16.5	15.8	15.2	3.78	A
1.5+1.8+2.5+1.5+1.5+3.5	12.3	1.37+1.64+2.28+1.22+1.22+2.85 (1.5-12)	10.60	3200 (200 - 3360)	14.7	14.1	13.5	3.31	A	1.62+2.02+3.16+1.55+1.55+3.71 (1.5-14.4)	13.60	3600 (200 - 3720)	16.5	15.8	15.2	3.78	A
1.5+1.8+2.5+1.5+1.5+5.0	13.8	1.37+1.64+2.28+0.99+0.99+3.31 (1.5-12)	10.60	3200 (200 - 3360)	14.7	14.1	13.5	3.31	A	1.62+2.02+3.16+1.30+1.30+4.21 (1.5-14.4)	13.60	3600 (200 - 3720)	16.5	15.8	15.2	3.78	A
1.5+1.8+2.5+1.5+1.8+1.8	10.9	1.37+1.64+2.28+1.50+1.80+1.80 (1.5-12)	10.40	3150 (200 - 3340)	14.5	13.8	13.3	3.30	A	1.62+2.02+3.16+1.94+2.43+2.43 (1.5-14.4)	13.60	3600 (200 - 3720)	16.5	15.8	15.2	3.78	A
1.5+1.8+2.5+1.5+1.8+2.5	11.6	1.37+1.64+2.28+1.37+1.64+2.28 (1.5-12)	10.60	3200 (200 - 3360)	14.7	14.1	13.5	3.31	A	1.62+2.02+3.16+1.62+2.02+3.16 (1.5-14.4)	13.60	3600 (200 - 3720)	16.5	15.8	15.2	3.78	A
1.5+1.8+2.5+1.5+1.8+3.5	12.6	1.37+1.64+2.28+1.17+1.40+2.73 (1.5-12)	10.60	3200 (200 - 3360)	14.7	14.1	13.5	3.31	A	1.62+2.02+3.16+1.46+1.83+3.51 (1.5-14.4)	13.60	3600 (200 - 3720)	16.5	15.8	15.2	3.78	A
1.5+1.8+2.5+1.5+1.8+5.0	14.1	1.37+1.64+2.28+0.96+1.15+3.19 (1.5-12)	10.60	3200 (200 - 3360)	14.7	14.1	13.5	3.31	A	1.62+2.02+3.16+1.24+1.55+4.02 (1.5-14.4)	13.60	3600 (200 - 3720)	16.5	15.8	15.2	3.78	A
1.5+1.8+2.5+1.5+2.5+2.5	12.3	1.37+1.64+2.28+1.22+2.04+2.04 (1.5-12)	10.60	3200 (200 - 3360)	14.7	14.1	13.5	3.31	A	1.62+2.02+3.16+1.39+2.71+2.71 (1.5-14.4)	13.60	3600 (200 - 3720)	16.5	15.8	15.2	3.78	A
1.5+1.8+2.5+1.5+2.5+3.5	13.3	1.37+1.64+2.28+1.06+1.77+2.47 (1.5-12)	10.60	3200 (200 - 3360)	14.7	14.1	13.5	3.31	A	1.62+2.02+3.16+1.27+2.48+3.05 (1.5-14.4)	13.60	3600 (200 - 3720)	16.5	15.8	15.2	3.78	A
1.5+1.8+2.5+1.5+3.5+3.5	14.3	1.37+1.64+2.28+0.94+2.18+2.18 (1.5-12)	10.60	3200 (200 - 3360)	14.7	14.1	13.5	3.31	A	1.62+2.02+3.16+1.17+2.81+2.81 (1.5-14.4)	13.60	3600 (200 - 3720)	16.5	15.8	15.2	3.78	A
1.5+1.8+2.5+1.8+1.8+1.8	11.2	1.37+1.64+2.28+1.77+1.77+1.77 (1.5-12)	10.60	3200 (200 - 3360)	14.7	14.1	13.5	3.31	A	1.62+2.02+3.16+2.27+2.27+2.27 (1.5-14.4)	13.60	3600 (200 - 3720)	16.5	15.8	15.2	3.78	A
1.5+1.8+2.5+1.8+1.8+2.5	11.9	1.37+1.64+2.28+1.56+1.56+2.17 (1.5-12.4)	10.60	3200 (200 - 3360)	14.7	14.1	13.5	3.31	A	1.62+2.02+3.16+1.91+1.91+2.98 (1.5-14.4)	13.60	3600 (200 - 3720)	16.5	15.8	15.2	3.78	A
1.5+1.8+2.5+1.8+1.8+3.5	12.9	1.37+1.64+2.28+1.34+1.34+2.61 (1.5-12.6)	10.60	3200 (200 - 3360)	14.7	14.1	13.5	3.31	A	1.62+2.02+3.16+1.73+1.73+3.33 (1.5-14.4)	13.60	3600 (200 - 3720)	16.5	15.8	15.2	3.78	A
1.5+1.8+2.5+1.8+1.8+5.0	14.4	1.37+1.64+2.28+1.11+1.11+3.08 (1.5-12.6)	10.60	3200 (200 - 3360)	14.7	14.1	13.5	3.31	A	1.62+2.02+3.16+1.48+1.48+3.84 (1.5-14.4)	13.60	3600 (200 - 3720)	16.5	15.8	15.2	3.78	A
1.5+1.8+2.5+1.8+2.5+2.5	12.6	1.37+1.64+2.28+1.40+1.95+1.95 (1.5-12.6)	10.60	3200 (200 - 3360)	14.7	14.1	13.5	3.31	A	1.62+2.02+3.16+1.65+2.57+2.57 (1.5-14.4)	13.60	3600 (200 - 3720)	16.5	15.8	15.2	3.78	A
1.5+1.8+2.5+1.8+2.5+3.5	13.6	1.37+1.64+2.28+1.22+1.70+2.38 (1.5-12.6)	10.60	3200 (200 - 3360)	14.7	14.1	13.5	3.31	A	1.62+2.02+3.16+1.52+2.37+2.91 (1.5-14.4)	13.60	3600 (200 - 3720)	16.5	15.8	15.2	3.78	A
1.5+1.8+2.5+1.8+3.5+3.5	14.6	1.37+1.64+2.28+1.08+2.11+2.11 (1.5-12.6)	10.60	3200 (200 - 3360)	14.7	14.1	13.5	3.31	A	1.62+2.02+3.16+1.40+2.70+2.70 (1.5-14.4)	13.60	3600 (200 - 3720)	16.5	15.8	15.2	3.78	A
1.5+1.8+2.5+2.5+2.5+2.5	13.3	1.37+1.64+2.28+1.77+1.77+1.77 (1.5-12.6)	10.60	3200 (200 - 3360)	14.7	14.1	13.5	3.31	A	1.62+2.02+3.16+2.27+2.27+2.27 (1.5-14.4)	13.60	3600 (200 - 3720)	16.5	15.8	15.2	3.78	A
1.5+1.8+2.5+2.5+2.5+3.5	14.3	1.37+1.64+2.28+1.56+1.56+2.18 (1.5-12.6)	10.60	3200 (200 - 3360)	14.7	14.1	13.5	3.31	A	1.62+2.02+3.16+2.00+2.00+2.80 (1.5-14.4)	13.60	3600 (200 - 3720)	16.5	15.8	15.2	3.78	A

SIX UNITS

POSSIBLE COMBINATIONS TO OPERATE	TOTAL (kW)	COOLING									HEATING						
		CAPACITY RATING (kW) (RANGE)		TOTAL	OUTDOOR UNIT			ELR	Class	CAPACITY RATING (kW) (RANGE)		TOTAL	OUTDOOR UNIT			COP	Class
					TOTAL INPUT (W)	AMPERE(A)							TOTAL INPUT (W)	AMPERE(A)			
		220V	230V	240V	220V	230V	240V	220V	230V	240V							
1.5+1.8+3.5+1.5+1.5+1.5	11.3	1.17+1.40+2.73+1.50+1.50+1.50 (1.5-11)	9.80	2970 (200 ~ 3360)	13.6	13.0	12.5	3.30	A	1.46+1.83+3.51+2.00+2.00+2.00 (1.5-13.4)	12.80	3480 (200 ~ 3410)	16.0	15.3	14.6	3.68	A
1.5+1.8+3.5+1.5+1.5+1.8	11.6	1.17+1.40+2.73+1.50+1.50+1.80 (1.5-12)	10.10	3070 (200 ~ 3360)	14.1	13.5	12.9	3.29	A	1.46+1.83+3.51+2.00+2.00+2.50 (1.5-13.8)	13.30	3540 (200 ~ 3620)	16.3	15.5	14.9	3.76	A
1.5+1.8+3.5+1.5+1.5+2.5	12.3	1.17+1.40+2.73+1.45+1.45+2.41 (1.5-12)	10.60	3200 (200 ~ 3340)	14.7	14.1	13.5	3.31	A	1.46+1.83+3.51+1.72+1.72+3.36 (1.5-14.4)	13.60	3600 (200 ~ 3720)	16.5	15.8	15.2	3.78	A
1.5+1.8+3.5+1.5+1.5+3.5	13.3	1.17+1.40+2.73+1.22+1.22+2.85 (1.5-12)	10.60	3200 (200 ~ 3360)	14.7	14.1	13.5	3.31	A	1.46+1.83+3.51+1.55+1.55+3.71 (1.5-14.4)	13.60	3600 (200 ~ 3720)	16.5	15.8	15.2	3.78	A
1.5+1.8+3.5+1.5+1.5+5.0	14.8	1.17+1.40+2.73+0.99+0.99+3.31 (1.5-12)	10.60	3200 (200 ~ 3360)	14.7	14.1	13.5	3.31	A	1.46+1.83+3.51+1.30+1.30+4.21 (1.5-14.4)	13.60	3600 (200 ~ 3720)	16.5	15.8	15.2	3.78	A
1.5+1.8+3.5+1.5+1.8+1.8	11.9	1.17+1.40+2.73+1.50+1.80+1.80 (1.5-12)	10.40	3150 (200 ~ 3340)	14.5	13.8	13.3	3.30	A	1.46+1.83+3.51+1.94+2.43+2.43 (1.5-14.4)	13.60	3600 (200 ~ 3720)	16.5	15.8	15.2	3.78	A
1.5+1.8+3.5+1.5+1.8+2.5	12.6	1.17+1.40+2.73+1.37+1.64+2.28 (1.5-12)	10.60	3200 (200 ~ 3360)	14.7	14.1	13.5	3.31	A	1.46+1.83+3.51+1.62+2.02+3.16 (1.5-14.4)	13.60	3600 (200 ~ 3720)	16.5	15.8	15.2	3.78	A
1.5+1.8+3.5+1.5+1.8+3.5	13.6	1.17+1.40+2.73+1.17+1.40+2.73 (1.5-12)	10.60	3200 (200 ~ 3360)	14.7	14.1	13.5	3.31	A	1.46+1.83+3.51+1.46+1.83+3.51 (1.5-14.4)	13.60	3600 (200 ~ 3720)	16.5	15.8	15.2	3.78	A
1.5+1.8+3.5+1.5+1.8+5.0	15.1	1.17+1.40+2.73+0.96+1.15+3.19 (1.5-12)	10.60	3200 (200 ~ 3360)	14.7	14.1	13.5	3.31	A	1.46+1.83+3.51+1.24+1.55+4.02 (1.5-14.4)	13.60	3600 (200 ~ 3720)	16.5	15.8	15.2	3.78	A
1.5+1.8+3.5+1.5+2.5+2.5	13.3	1.17+1.40+2.73+1.22+2.04+2.04 (1.5-12)	10.60	3200 (200 ~ 3360)	14.7	14.1	13.5	3.31	A	1.46+1.83+3.51+1.39+2.71+2.71 (1.5-14.4)	13.60	3600 (200 ~ 3720)	16.5	15.8	15.2	3.78	A
1.5+1.8+3.5+1.5+2.5+3.5	14.3	1.17+1.40+2.73+1.06+1.77+2.47 (1.5-12)	10.60	3200 (200 ~ 3360)	14.7	14.1	13.5	3.31	A	1.46+1.83+3.51+1.27+2.48+3.05 (1.5-14.4)	13.60	3600 (200 ~ 3720)	16.5	15.8	15.2	3.78	A
1.5+1.8+3.5+1.5+3.5+3.5	15.3	1.17+1.40+2.73+0.94+2.18+2.18 (1.5-12)	10.60	3200 (200 ~ 3360)	14.7	14.1	13.5	3.31	A	1.46+1.83+3.51+1.17+2.81+2.81 (1.5-14.4)	13.60	3600 (200 ~ 3720)	16.5	15.8	15.2	3.78	A
1.5+1.8+3.5+1.8+1.8+1.8	12.2	1.17+1.40+2.73+1.77+1.77+1.77 (1.5-12)	10.60	3200 (200 ~ 3360)	14.7	14.1	13.5	3.31	A	1.46+1.83+3.51+2.27+2.27+2.27 (1.5-14.4)	13.60	3600 (200 ~ 3720)	16.5	15.8	15.2	3.78	A
1.5+1.8+3.5+1.8+1.8+2.5	12.9	1.17+1.40+2.73+1.56+1.56+2.17 (1.5-12.4)	10.60	3200 (200 ~ 3360)	14.7	14.1	13.5	3.31	A	1.46+1.83+3.51+1.91+1.91+2.98 (1.5-14.4)	13.60	3600 (200 ~ 3720)	16.5	15.8	15.2	3.78	A
1.5+1.8+3.5+1.8+1.8+3.5	13.9	1.17+1.40+2.73+1.34+1.34+2.61 (1.5-12.6)	10.60	3200 (200 ~ 3360)	14.7	14.1	13.5	3.31	A	1.46+1.83+3.51+1.73+1.73+3.33 (1.5-14.4)	13.60	3600 (200 ~ 3720)	16.5	15.8	15.2	3.78	A
1.5+1.8+3.5+1.8+1.8+5.0	15.4	1.17+1.40+2.73+1.11+1.11+3.08 (1.5-12.6)	10.60	3200 (200 ~ 3360)	14.7	14.1	13.5	3.31	A	1.46+1.83+3.51+1.48+1.48+3.84 (1.5-14.4)	13.60	3600 (200 ~ 3720)	16.5	15.8	15.2	3.78	A
1.5+1.8+3.5+1.8+2.5+2.5	13.6	1.17+1.40+2.73+1.40+1.95+1.95 (1.5-12.6)	10.60	3200 (200 ~ 3360)	14.7	14.1	13.5	3.31	A	1.46+1.83+3.51+1.65+2.57+2.57 (1.5-14.4)	13.60	3600 (200 ~ 3720)	16.5	15.8	15.2	3.78	A
1.5+1.8+3.5+1.8+2.5+3.5	14.6	1.17+1.40+2.73+1.22+1.70+2.38 (1.5-12.6)	10.60	3200 (200 ~ 3360)	14.7	14.1	13.5	3.31	A	1.46+1.83+3.51+1.52+2.37+2.91 (1.5-14.4)	13.60	3600 (200 ~ 3720)	16.5	15.8	15.2	3.78	A
1.5+1.8+3.5+1.8+3.5+3.5	15.6	1.17+1.40+2.73+1.08+2.11+2.11 (1.5-12.6)	10.60	3200 (200 ~ 3360)	14.7	14.1	13.5	3.31	A	1.46+1.83+3.51+1.40+2.70+2.70 (1.5-14.4)	13.60	3600 (200 ~ 3720)	16.5	15.8	15.2	3.78	A
1.5+1.8+3.5+2.5+2.5+2.5	14.3	1.17+1.40+2.73+1.77+1.11+3.08 (1.5-12.6)	10.60	3200 (200 ~ 3360)	14.7	14.1	13.5	3.31	A	1.46+1.83+3.51+2.27+2.27+2.27 (1.5-14.4)	13.60	3600 (200 ~ 3720)	16.5	15.8	15.2	3.78	A
1.5+1.8+3.5+2.5+2.5+3.5	15.3	1.17+1.40+2.73+1.56+1.56+2.18 (1.5-12.6)	10.60	3200 (200 ~ 3360)	14.7	14.1	13.5	3.31	A	1.46+1.83+3.51+2.00+2.00+2.80 (1.5-14.4)	13.60	3600 (200 ~ 3720)	16.5	15.8	15.2	3.78	A

SIX UNITS

POSSIBLE COMBINATIONS TO OPERATE	TOTAL (kW)	COOLING								HEATING							
		CAPACITY RATING (kW) (RANGE)		OUTDOOR UNIT					EER	Class	CAPACITY RATING (kW) (RANGE)		OUTDOOR UNIT			COP	Class
				TOTAL	TOTAL INPUT (W)	AMPERE(A)							TOTAL	TOTAL INPUT (W)	AMPERE(A)		
		220V	230V			240V	220V	230V	240V								
1.5+1.8+5.0+ 1.5+1.5+1.5	12.8	0.96+1.15+3.19+ 1.50+1.50+1.50 (1.5-11)	9.80	2970 (200 - 3360)	13.6	13.0	12.5	3.30	A	1.24+1.55+4.02+ 2.00+2.00+2.00 (1.5-13.4)	12.80	3480 (200 - 3410)	16.0	15.3	14.6	3.68	A
1.5+1.8+5.0+ 1.5+1.5+1.8	13.1	0.96+1.15+3.19+ 1.50+1.50+1.80 (1.5-12)	10.10	3070 (200 - 3360)	14.1	13.5	12.9	3.29	A	1.24+1.55+4.02+ 2.00+2.00+2.50 (1.5-13.8)	13.30	3540 (200 - 3620)	16.3	15.5	14.9	3.76	A
1.5+1.8+5.0+ 1.5+1.5+2.5	13.8	0.96+1.15+3.19+ 1.45+1.45+2.41 (1.5-12)	10.60	3200 (200 - 3340)	14.7	14.1	13.5	3.31	A	1.24+1.55+4.02+ 1.72+1.72+3.36 (1.5-14.4)	13.60	3600 (200 - 3720)	16.5	15.8	15.2	3.78	A
1.5+1.8+5.0+ 1.5+1.5+3.5	14.8	0.96+1.15+3.19+ 1.22+1.22+2.85 (1.5-12)	10.60	3200 (200 - 3360)	14.7	14.1	13.5	3.31	A	1.24+1.55+4.02+ 1.55+1.55+3.71 (1.5-14.4)	13.60	3600 (200 - 3720)	16.5	15.8	15.2	3.78	A
1.5+1.8+5.0+ 1.5+1.5+5.0	16.3	0.96+1.15+3.19+ 0.99+0.99+3.31 (1.5-12)	10.60	3200 (200 - 3360)	14.7	14.1	13.5	3.31	A	1.24+1.55+4.02+ 1.30+1.30+4.21 (1.5-14.4)	13.60	3600 (200 - 3720)	16.5	15.8	15.2	3.78	A
1.5+1.8+5.0+ 1.5+1.8+1.8	13.4	0.96+1.15+3.19+ 1.50+1.80+1.80 (1.5-12)	10.40	3150 (200 - 3340)	14.5	13.8	13.3	3.30	A	1.24+1.55+4.02+ 1.94+2.43+2.43 (1.5-14.4)	13.60	3600 (200 - 3720)	16.5	15.8	15.2	3.78	A
1.5+1.8+5.0+ 1.5+1.8+2.5	14.1	0.96+1.15+3.19+ 1.37+1.64+2.28 (1.5-12)	10.60	3200 (200 - 3360)	14.7	14.1	13.5	3.31	A	1.24+1.55+4.02+ 1.62+2.02+3.16 (1.5-14.4)	13.60	3600 (200 - 3720)	16.5	15.8	15.2	3.78	A
1.5+1.8+5.0+ 1.5+1.8+3.5	15.1	0.96+1.15+3.19+ 1.17+1.40+2.73 (1.5-12)	10.60	3200 (200 - 3360)	14.7	14.1	13.5	3.31	A	1.24+1.55+4.02+ 1.46+1.83+3.51 (1.5-14.4)	13.60	3600 (200 - 3720)	16.5	15.8	15.2	3.78	A
1.5+1.8+5.0+ 1.5+1.8+5.0	16.6	0.96+1.15+3.19+ 0.96+1.15+3.19 (1.5-12)	10.60	3200 (200 - 3360)	14.7	14.1	13.5	3.31	A	1.24+1.55+4.02+ 1.24+1.55+4.02 (1.5-14.4)	13.60	3600 (200 - 3720)	16.5	15.8	15.2	3.78	A
1.5+1.8+5.0+ 1.5+2.5+2.5	14.8	0.96+1.15+3.19+ 1.22+2.04+2.04 (1.5-12)	10.60	3200 (200 - 3360)	14.7	14.1	13.5	3.31	A	1.24+1.55+4.02+ 1.39+2.71+2.71 (1.5-14.4)	13.60	3600 (200 - 3720)	16.5	15.8	15.2	3.78	A
1.5+1.8+5.0+ 1.5+2.5+3.5	15.8	0.96+1.15+3.19+ 1.06+1.77+2.47 (1.5-12)	10.60	3200 (200 - 3360)	14.7	14.1	13.5	3.31	A	1.24+1.55+4.02+ 1.27+2.48+3.05 (1.5-14.4)	13.60	3600 (200 - 3720)	16.5	15.8	15.2	3.78	A
1.5+1.8+5.0+ 1.5+3.5+3.5	16.8	0.96+1.15+3.19+ 0.94+2.18+2.18 (1.5-12)	10.60	3200 (200 - 3360)	14.7	14.1	13.5	3.31	A	1.24+1.55+4.02+ 1.17+2.81+2.81 (1.5-14.4)	13.60	3600 (200 - 3720)	16.5	15.8	15.2	3.78	A
1.5+1.8+5.0+ 1.8+1.8+1.8	13.7	0.96+1.15+3.19+ 1.77+1.77+1.77 (1.5-12)	10.60	3200 (200 - 3360)	14.7	14.1	13.5	3.31	A	1.24+1.55+4.02+ 2.27+2.27+2.27 (1.5-14.4)	13.60	3600 (200 - 3720)	16.5	15.8	15.2	3.78	A
1.5+1.8+5.0+ 1.8+1.8+2.5	14.4	0.96+1.15+3.19+ 1.56+1.56+2.17 (1.5-12.4)	10.60	3200 (200 - 3360)	14.7	14.1	13.5	3.31	A	1.24+1.55+4.02+ 1.91+1.91+2.98 (1.5-14.4)	13.60	3600 (200 - 3720)	16.5	15.8	15.2	3.78	A
1.5+1.8+5.0+ 1.8+1.8+3.5	15.4	0.96+1.15+3.19+ 1.34+1.34+2.61 (1.5-12.6)	10.60	3200 (200 - 3360)	14.7	14.1	13.5	3.31	A	1.24+1.55+4.02+ 1.73+1.73+3.33 (1.5-14.4)	13.60	3600 (200 - 3720)	16.5	15.8	15.2	3.78	A
1.5+1.8+5.0+ 1.8+1.8+5.0	16.9	0.96+1.15+3.19+ 1.11+1.11+3.08 (1.5-12.6)	10.60	3200 (200 - 3360)	14.7	14.1	13.5	3.31	A	1.24+1.55+4.02+ 1.48+1.48+3.84 (1.5-14.4)	13.60	3600 (200 - 3720)	16.5	15.8	15.2	3.78	A
1.5+1.8+5.0+ 1.8+2.5+2.5	15.1	0.96+1.15+3.19+ 1.40+1.95+1.95 (1.5-12.6)	10.60	3200 (200 - 3360)	14.7	14.1	13.5	3.31	A	1.24+1.55+4.02+ 1.65+2.57+2.57 (1.5-14.4)	13.60	3600 (200 - 3720)	16.5	15.8	15.2	3.78	A
1.5+1.8+5.0+ 1.8+2.5+3.5	16.1	0.96+1.15+3.19+ 1.22+1.70+2.38 (1.5-12.6)	10.60	3200 (200 - 3360)	14.7	14.1	13.5	3.31	A	1.24+1.55+4.02+ 1.52+2.37+2.91 (1.5-14.4)	13.60	3600 (200 - 3720)	16.5	15.8	15.2	3.78	A
1.5+1.8+5.0+ 1.8+3.5+3.5	17.1	0.96+1.15+3.19+ 1.08+2.11+2.11 (1.5-12.6)	10.60	3200 (200 - 3360)	14.7	14.1	13.5	3.31	A	1.24+1.55+4.02+ 1.40+2.70+2.70 (1.5-14.4)	13.60	3600 (200 - 3720)	16.5	15.8	15.2	3.78	A
1.5+1.8+5.0+ 2.5+2.5+2.5	15.8	0.96+1.15+3.19+ 1.77+1.77+1.77 (1.5-12.6)	10.60	3200 (200 - 3360)	14.7	14.1	13.5	3.31	A	1.24+1.55+4.02+ 2.27+2.27+2.27 (1.5-14.4)	13.60	3600 (200 - 3720)	16.5	15.8	15.2	3.78	A
1.5+1.8+5.0+ 2.5+2.5+3.5	16.8	0.96+1.15+3.19+ 1.56+1.56+2.18 (1.5-12.6)	10.60	3200 (200 - 3360)	14.7	14.1	13.5	3.31	A	1.24+1.55+4.02+ 2.00+2.00+2.80 (1.5-14.4)	13.60	3600 (200 - 3720)	16.5	15.8	15.2	3.78	A

SIX UNITS

POSSIBLE COMBINATIONS TO OPERATE	TOTAL (kW)	COOLING									HEATING						
		CAPACITY RATING (kW) (RANGE)		TOTAL	OUTDOOR UNIT			ELECTR	Class	CAPACITY RATING (kW) (RANGE)		TOTAL	OUTDOOR UNIT			COP	Class
					TOTAL INPUT (W)	AMPERE(A)							TOTAL INPUT (W)	AMPERE(A)			
		220V	230V	240V	220V	230V	240V	220V	230V	240V							
1.5+2.5+2.5+1.5+1.5+1.5	11.0	1.22+2.04+2.04+1.50+1.50+1.50 (1.5-11)	9.80	2970 (200 ~ 3360)	13.6	13.0	12.5	3.30	A	1.39+2.71+2.71+2.00+2.00+2.00 (1.5-13.4)	12.80	3480 (200 ~ 3410)	16.0	15.3	14.6	3.68	A
1.5+2.5+2.5+1.5+1.5+1.8	11.3	1.22+2.04+2.04+1.50+1.50+1.80 (1.5-12)	10.10	3070 (200 ~ 3360)	14.1	13.5	12.9	3.29	A	1.39+2.71+2.71+2.00+2.00+2.50 (1.5-13.8)	13.30	3540 (200 ~ 3620)	16.3	15.5	14.9	3.76	A
1.5+2.5+2.5+1.5+1.5+2.5	12.0	1.22+2.04+2.04+1.45+1.45+2.41 (1.5-12)	10.60	3200 (200 ~ 3340)	14.7	14.1	13.5	3.31	A	1.39+2.71+2.71+1.72+1.72+3.36 (1.5-14.4)	13.60	3600 (200 ~ 3720)	16.5	15.8	15.2	3.78	A
1.5+2.5+2.5+1.5+1.5+3.5	13.0	1.22+2.04+2.04+1.22+1.22+2.85 (1.5-12)	10.60	3200 (200 ~ 3360)	14.7	14.1	13.5	3.31	A	1.39+2.71+2.71+1.55+1.55+3.71 (1.5-14.4)	13.60	3600 (200 ~ 3720)	16.5	15.8	15.2	3.78	A
1.5+2.5+2.5+1.5+1.5+5.0	14.5	1.22+2.04+2.04+0.99+0.99+3.31 (1.5-12)	10.60	3200 (200 ~ 3360)	14.7	14.1	13.5	3.31	A	1.39+2.71+2.71+1.30+1.30+4.21 (1.5-14.4)	13.60	3600 (200 ~ 3720)	16.5	15.8	15.2	3.78	A
1.5+2.5+2.5+1.5+1.8+1.8	11.6	1.22+2.04+2.04+1.50+1.80+1.80 (1.5-12)	10.40	3150 (200 ~ 3340)	14.5	13.8	13.3	3.30	A	1.39+2.71+2.71+1.94+2.43+2.43 (1.5-14.4)	13.60	3600 (200 ~ 3720)	16.5	15.8	15.2	3.78	A
1.5+2.5+2.5+1.5+1.8+2.5	12.3	1.22+2.04+2.04+1.37+1.64+2.28 (1.5-12)	10.60	3200 (200 ~ 3360)	14.7	14.1	13.5	3.31	A	1.39+2.71+2.71+1.62+2.02+3.16 (1.5-14.4)	13.60	3600 (200 ~ 3720)	16.5	15.8	15.2	3.78	A
1.5+2.5+2.5+1.5+1.8+3.5	13.3	1.22+2.04+2.04+1.17+1.40+2.73 (1.5-12)	10.60	3200 (200 ~ 3360)	14.7	14.1	13.5	3.31	A	1.39+2.71+2.71+1.46+1.83+3.51 (1.5-14.4)	13.60	3600 (200 ~ 3720)	16.5	15.8	15.2	3.78	A
1.5+2.5+2.5+1.5+1.8+5.0	14.8	1.22+2.04+2.04+0.96+1.15+3.19 (1.5-12)	10.60	3200 (200 ~ 3360)	14.7	14.1	13.5	3.31	A	1.39+2.71+2.71+1.24+1.55+4.02 (1.5-14.4)	13.60	3600 (200 ~ 3720)	16.5	15.8	15.2	3.78	A
1.5+2.5+2.5+1.5+2.5+2.5	13.0	1.22+2.04+2.04+1.22+2.04+2.04 (1.5-12)	10.60	3200 (200 ~ 3360)	14.7	14.1	13.5	3.31	A	1.39+2.71+2.71+1.39+2.71+2.71 (1.5-14.4)	13.60	3600 (200 ~ 3720)	16.5	15.8	15.2	3.78	A
1.5+2.5+2.5+1.5+2.5+3.5	14.0	1.22+2.04+2.04+1.06+1.77+2.47 (1.5-12)	10.60	3200 (200 ~ 3360)	14.7	14.1	13.5	3.31	A	1.39+2.71+2.71+1.27+2.48+3.05 (1.5-14.4)	13.60	3600 (200 ~ 3720)	16.5	15.8	15.2	3.78	A
1.5+2.5+2.5+1.5+3.5+3.5	15.0	1.22+2.04+2.04+0.94+2.18+2.18 (1.5-12)	10.60	3200 (200 ~ 3360)	14.7	14.1	13.5	3.31	A	1.39+2.71+2.71+1.17+2.81+2.81 (1.5-14.4)	13.60	3600 (200 ~ 3720)	16.5	15.8	15.2	3.78	A
1.5+2.5+2.5+1.8+1.8+1.8	11.9	1.22+2.04+2.04+1.77+1.77+1.77 (1.5-12)	10.60	3200 (200 ~ 3360)	14.7	14.1	13.5	3.31	A	1.39+2.71+2.71+2.27+2.27+2.27 (1.5-14.4)	13.60	3600 (200 ~ 3720)	16.5	15.8	15.2	3.78	A
1.5+2.5+2.5+1.8+1.8+2.5	12.6	1.22+2.04+2.04+1.56+1.56+2.17 (1.5-12.4)	10.60	3200 (200 ~ 3360)	14.7	14.1	13.5	3.31	A	1.39+2.71+2.71+1.91+1.91+2.98 (1.5-14.4)	13.60	3600 (200 ~ 3720)	16.5	15.8	15.2	3.78	A
1.5+2.5+2.5+1.8+1.8+3.5	13.6	1.22+2.04+2.04+1.34+1.34+2.61 (1.5-12.6)	10.60	3200 (200 ~ 3360)	14.7	14.1	13.5	3.31	A	1.39+2.71+2.71+1.73+1.73+3.33 (1.5-14.4)	13.60	3600 (200 ~ 3720)	16.5	15.8	15.2	3.78	A
1.5+2.5+2.5+1.8+1.8+5.0	15.1	1.22+2.04+2.04+1.11+1.11+3.08 (1.5-12.6)	10.60	3200 (200 ~ 3360)	14.7	14.1	13.5	3.31	A	1.39+2.71+2.71+1.48+1.48+3.84 (1.5-14.4)	13.60	3600 (200 ~ 3720)	16.5	15.8	15.2	3.78	A
1.5+2.5+2.5+1.8+2.5+2.5	13.3	1.22+2.04+2.04+1.40+1.95+1.95 (1.5-12.6)	10.60	3200 (200 ~ 3360)	14.7	14.1	13.5	3.31	A	1.39+2.71+2.71+1.65+2.57+2.57 (1.5-14.4)	13.60	3600 (200 ~ 3720)	16.5	15.8	15.2	3.78	A
1.5+2.5+2.5+1.8+2.5+3.5	14.3	1.22+2.04+2.04+1.22+1.70+2.38 (1.5-12.6)	10.60	3200 (200 ~ 3360)	14.7	14.1	13.5	3.31	A	1.39+2.71+2.71+1.52+2.37+2.91 (1.5-14.4)	13.60	3600 (200 ~ 3720)	16.5	15.8	15.2	3.78	A
1.5+2.5+2.5+1.8+3.5+3.5	15.3	1.22+2.04+2.04+1.08+2.11+2.11 (1.5-12.6)	10.60	3200 (200 ~ 3360)	14.7	14.1	13.5	3.31	A	1.39+2.71+2.71+1.40+2.70+2.70 (1.5-14.4)	13.60	3600 (200 ~ 3720)	16.5	15.8	15.2	3.78	A
1.5+2.5+2.5+2.5+2.5+2.5	14.0	1.22+2.04+2.04+1.77+1.77+1.77 (1.5-12.6)	10.60	3200 (200 ~ 3360)	14.7	14.1	13.5	3.31	A	1.39+2.71+2.71+2.27+2.27+2.27 (1.5-14.4)	13.60	3600 (200 ~ 3720)	16.5	15.8	15.2	3.78	A
1.5+2.5+2.5+2.5+2.5+3.5	15.0	1.22+2.04+2.04+1.56+1.56+2.18 (1.5-12.6)	10.60	3200 (200 ~ 3360)	14.7	14.1	13.5	3.31	A	1.39+2.71+2.71+2.00+2.00+2.80 (1.5-14.4)	13.60	3600 (200 ~ 3720)	16.5	15.8	15.2	3.78	A

SIX UNITS

POSSIBLE COMBINATIONS TO OPERATE	TOTAL (kW)	COOLING								HEATING							
		CAPACITY RATING (kW) (RANGE)		OUTDOOR UNIT					EER	Class	CAPACITY RATING (kW) (RANGE)		OUTDOOR UNIT			COP	Class
				TOTAL	TOTAL INPUT (W)	AMPERE(A)							TOTAL	TOTAL INPUT (W)	AMPERE(A)		
		220V	230V			240V	220V	230V	240V								
1.5+2.5+3.5+1.5+1.5+1.5	12.0	1.06+1.77+2.47+1.50+1.50+1.50 (1.5-11)	9.80	2970 (200 - 3360)	13.6	13.0	12.5	3.30	A	1.27+2.48+3.05+2.00+2.00+2.00 (1.5-13.4)	12.80	3480 (200 - 3410)	16.0	15.3	14.6	3.68	A
1.5+2.5+3.5+1.5+1.5+1.8	12.3	1.06+1.77+2.47+1.50+1.50+1.80 (1.5-12)	10.10	3070 (200 - 3360)	14.1	13.5	12.9	3.29	A	1.27+2.48+3.05+2.00+2.00+2.50 (1.5-13.8)	13.30	3540 (200 - 3620)	16.3	15.5	14.9	3.76	A
1.5+2.5+3.5+1.5+1.5+2.5	13.0	1.06+1.77+2.47+1.45+1.45+2.41 (1.5-12)	10.60	3200 (200 - 3340)	14.7	14.1	13.5	3.31	A	1.27+2.48+3.05+1.72+1.72+3.36 (1.5-14.4)	13.60	3600 (200 - 3720)	16.5	15.8	15.2	3.78	A
1.5+2.5+3.5+1.5+1.5+3.5	14.0	1.06+1.77+2.47+1.22+1.22+2.85 (1.5-12)	10.60	3200 (200 - 3360)	14.7	14.1	13.5	3.31	A	1.27+2.48+3.05+1.55+1.55+3.71 (1.5-14.4)	13.60	3600 (200 - 3720)	16.5	15.8	15.2	3.78	A
1.5+2.5+3.5+1.5+1.5+5.0	15.5	1.06+1.77+2.47+0.99+0.99+3.31 (1.5-12)	10.60	3200 (200 - 3360)	14.7	14.1	13.5	3.31	A	1.27+2.48+3.05+1.30+1.30+4.21 (1.5-14.4)	13.60	3600 (200 - 3720)	16.5	15.8	15.2	3.78	A
1.5+2.5+3.5+1.5+1.8+1.8	12.6	1.06+1.77+2.47+1.50+1.80+1.80 (1.5-12)	10.40	3150 (200 - 3340)	14.5	13.8	13.3	3.30	A	1.27+2.48+3.05+1.94+2.43+2.43 (1.5-14.4)	13.60	3600 (200 - 3720)	16.5	15.8	15.2	3.78	A
1.5+2.5+3.5+1.5+1.8+2.5	13.3	1.06+1.77+2.47+1.37+1.64+2.28 (1.5-12)	10.60	3200 (200 - 3360)	14.7	14.1	13.5	3.31	A	1.27+2.48+3.05+1.62+2.02+3.16 (1.5-14.4)	13.60	3600 (200 - 3720)	16.5	15.8	15.2	3.78	A
1.5+2.5+3.5+1.5+1.8+3.5	14.3	1.06+1.77+2.47+1.17+1.40+2.73 (1.5-12)	10.60	3200 (200 - 3360)	14.7	14.1	13.5	3.31	A	1.27+2.48+3.05+1.46+1.83+3.51 (1.5-14.4)	13.60	3600 (200 - 3720)	16.5	15.8	15.2	3.78	A
1.5+2.5+3.5+1.5+1.8+5.0	15.8	1.06+1.77+2.47+0.96+1.15+3.19 (1.5-12)	10.60	3200 (200 - 3360)	14.7	14.1	13.5	3.31	A	1.27+2.48+3.05+1.24+1.55+4.02 (1.5-14.4)	13.60	3600 (200 - 3720)	16.5	15.8	15.2	3.78	A
1.5+2.5+3.5+1.5+2.5+2.5	14.0	1.06+1.77+2.47+1.22+2.04+2.04 (1.5-12)	10.60	3200 (200 - 3360)	14.7	14.1	13.5	3.31	A	1.27+2.48+3.05+1.39+2.71+2.71 (1.5-14.4)	13.60	3600 (200 - 3720)	16.5	15.8	15.2	3.78	A
1.5+2.5+3.5+1.5+2.5+3.5	15.0	1.06+1.77+2.47+1.06+1.77+2.47 (1.5-12)	10.60	3200 (200 - 3360)	14.7	14.1	13.5	3.31	A	1.27+2.48+3.05+1.27+2.48+3.05 (1.5-14.4)	13.60	3600 (200 - 3720)	16.5	15.8	15.2	3.78	A
1.5+2.5+3.5+1.5+3.5+3.5	16.0	1.06+1.77+2.47+0.94+2.18+2.18 (1.5-12)	10.60	3200 (200 - 3360)	14.7	14.1	13.5	3.31	A	1.27+2.48+3.05+1.17+2.81+2.81 (1.5-14.4)	13.60	3600 (200 - 3720)	16.5	15.8	15.2	3.78	A
1.5+2.5+3.5+1.8+1.8+1.8	12.9	1.06+1.77+2.47+1.77+1.77+1.77 (1.5-12)	10.60	3200 (200 - 3360)	14.7	14.1	13.5	3.31	A	1.27+2.48+3.05+2.27+2.27+2.27 (1.5-14.4)	13.60	3600 (200 - 3720)	16.5	15.8	15.2	3.78	A
1.5+2.5+3.5+1.8+1.8+2.5	13.6	1.06+1.77+2.47+1.56+1.56+2.17 (1.5-12.4)	10.60	3200 (200 - 3360)	14.7	14.1	13.5	3.31	A	1.27+2.48+3.05+1.91+1.91+2.98 (1.5-14.4)	13.60	3600 (200 - 3720)	16.5	15.8	15.2	3.78	A
1.5+2.5+3.5+1.8+1.8+3.5	14.6	1.06+1.77+2.47+1.34+1.34+2.61 (1.5-12.6)	10.60	3200 (200 - 3360)	14.7	14.1	13.5	3.31	A	1.27+2.48+3.05+1.73+1.73+3.33 (1.5-14.4)	13.60	3600 (200 - 3720)	16.5	15.8	15.2	3.78	A
1.5+2.5+3.5+1.8+1.8+5.0	16.1	1.06+1.77+2.47+1.11+1.11+3.08 (1.5-12.6)	10.60	3200 (200 - 3360)	14.7	14.1	13.5	3.31	A	1.27+2.48+3.05+1.48+1.48+3.84 (1.5-14.4)	13.60	3600 (200 - 3720)	16.5	15.8	15.2	3.78	A
1.5+2.5+3.5+1.8+2.5+2.5	14.3	1.06+1.77+2.47+1.40+1.95+1.95 (1.5-12.6)	10.60	3200 (200 - 3360)	14.7	14.1	13.5	3.31	A	1.27+2.48+3.05+1.65+2.57+2.57 (1.5-14.4)	13.60	3600 (200 - 3720)	16.5	15.8	15.2	3.78	A
1.5+2.5+3.5+1.8+2.5+3.5	15.3	1.06+1.77+2.47+1.22+1.70+2.38 (1.5-12.6)	10.60	3200 (200 - 3360)	14.7	14.1	13.5	3.31	A	1.27+2.48+3.05+1.52+2.37+2.91 (1.5-14.4)	13.60	3600 (200 - 3720)	16.5	15.8	15.2	3.78	A
1.5+2.5+3.5+1.8+3.5+3.5	16.3	1.06+1.77+2.47+1.08+2.11+2.11 (1.5-12.6)	10.60	3200 (200 - 3360)	14.7	14.1	13.5	3.31	A	1.27+2.48+3.05+1.40+2.70+2.70 (1.5-14.4)	13.60	3600 (200 - 3720)	16.5	15.8	15.2	3.78	A
1.5+2.5+3.5+2.5+2.5+2.5	15.0	1.06+1.77+2.47+1.77+1.77+1.77 (1.5-12.6)	10.60	3200 (200 - 3360)	14.7	14.1	13.5	3.31	A	1.27+2.48+3.05+2.27+2.27+2.27 (1.5-14.4)	13.60	3600 (200 - 3720)	16.5	15.8	15.2	3.78	A
1.5+2.5+3.5+2.5+2.5+3.5	16.0	1.06+1.77+2.47+1.56+1.56+2.18 (1.5-12.6)	10.60	3200 (200 - 3360)	14.7	14.1	13.5	3.31	A	1.27+2.48+3.05+2.00+2.00+2.80 (1.5-14.4)	13.60	3600 (200 - 3720)	16.5	15.8	15.2	3.78	A

SIX UNITS

POSSIBLE COMBINATIONS TO OPERATE	TOTAL (kW)	COOLING									HEATING						
		CAPACITY RATING (kW) (RANGE)		TOTAL	OUTDOOR UNIT			ELECTR	Class	CAPACITY RATING (kW) (RANGE)		TOTAL	OUTDOOR UNIT			COP	Class
					TOTAL INPUT (W)	AMPERE(A)							TOTAL INPUT (W)	AMPERE(A)			
		220V	230V	240V	220V	230V	240V	220V	230V	240V							
1.5+3.5+3.5+1.5+1.5+1.5	13.0	0.94+2.18+2.18+1.50+1.50+1.50 (1.5-11)	9.80	2970 (200 ~ 3360)	13.6	13.0	12.5	3.30	A	1.17+2.81+2.81+2.00+2.00+2.00 (1.5-13.4)	12.80	3480 (200 ~ 3410)	16.0	15.3	14.6	3.68	A
1.5+3.5+3.5+1.5+1.5+1.8	13.3	0.94+2.18+2.18+1.50+1.50+1.80 (1.5-12)	10.10	3070 (200 ~ 3360)	14.1	13.5	12.9	3.29	A	1.17+2.81+2.81+2.00+2.00+2.50 (1.5-13.8)	13.30	3540 (200 ~ 3620)	16.3	15.5	14.9	3.76	A
1.5+3.5+3.5+1.5+1.5+2.5	14.0	0.94+2.18+2.18+1.45+1.45+2.41 (1.5-12)	10.60	3200 (200 ~ 3340)	14.7	14.1	13.5	3.31	A	1.17+2.81+2.81+1.72+1.72+3.36 (1.5-14.4)	13.60	3600 (200 ~ 3720)	16.5	15.8	15.2	3.78	A
1.5+3.5+3.5+1.5+1.5+3.5	15.0	0.94+2.18+2.18+1.22+1.22+2.85 (1.5-12)	10.60	3200 (200 ~ 3360)	14.7	14.1	13.5	3.31	A	1.17+2.81+2.81+1.55+1.55+3.71 (1.5-14.4)	13.60	3600 (200 ~ 3720)	16.5	15.8	15.2	3.78	A
1.5+3.5+3.5+1.5+1.5+5.0	16.5	0.94+2.18+2.18+0.99+0.99+3.31 (1.5-12)	10.60	3200 (200 ~ 3360)	14.7	14.1	13.5	3.31	A	1.17+2.81+2.81+1.30+1.30+4.21 (1.5-14.4)	13.60	3600 (200 ~ 3720)	16.5	15.8	15.2	3.78	A
1.5+3.5+3.5+1.5+1.8+1.8	13.6	0.94+2.18+2.18+1.50+1.80+1.80 (1.5-12)	10.40	3150 (200 ~ 3340)	14.5	13.8	13.3	3.30	A	1.17+2.81+2.81+1.94+2.43+2.43 (1.5-14.4)	13.60	3600 (200 ~ 3720)	16.5	15.8	15.2	3.78	A
1.5+3.5+3.5+1.5+1.8+2.5	14.3	0.94+2.18+2.18+1.37+1.64+2.28 (1.5-12)	10.60	3200 (200 ~ 3360)	14.7	14.1	13.5	3.31	A	1.17+2.81+2.81+1.62+2.02+3.16 (1.5-14.4)	13.60	3600 (200 ~ 3720)	16.5	15.8	15.2	3.78	A
1.5+3.5+3.5+1.5+1.8+3.5	15.3	0.94+2.18+2.18+1.17+1.40+2.73 (1.5-12)	10.60	3200 (200 ~ 3360)	14.7	14.1	13.5	3.31	A	1.17+2.81+2.81+1.46+1.83+3.51 (1.5-14.4)	13.60	3600 (200 ~ 3720)	16.5	15.8	15.2	3.78	A
1.5+3.5+3.5+1.5+1.8+5.0	16.8	0.94+2.18+2.18+0.96+1.15+3.19 (1.5-12)	10.60	3200 (200 ~ 3360)	14.7	14.1	13.5	3.31	A	1.17+2.81+2.81+1.24+1.55+4.02 (1.5-14.4)	13.60	3600 (200 ~ 3720)	16.5	15.8	15.2	3.78	A
1.5+3.5+3.5+1.5+2.5+2.5	15.0	0.94+2.18+2.18+1.22+2.04+2.04 (1.5-12)	10.60	3200 (200 ~ 3360)	14.7	14.1	13.5	3.31	A	1.17+2.81+2.81+1.39+2.71+2.71 (1.5-14.4)	13.60	3600 (200 ~ 3720)	16.5	15.8	15.2	3.78	A
1.5+3.5+3.5+1.5+2.5+3.5	16.0	0.94+2.18+2.18+1.06+1.77+2.47 (1.5-12)	10.60	3200 (200 ~ 3360)	14.7	14.1	13.5	3.31	A	1.17+2.81+2.81+1.27+2.48+3.05 (1.5-14.4)	13.60	3600 (200 ~ 3720)	16.5	15.8	15.2	3.78	A
1.5+3.5+3.5+1.5+3.5+3.5	17.0	0.94+2.18+2.18+0.94+2.18+2.18 (1.5-12)	10.60	3200 (200 ~ 3360)	14.7	14.1	13.5	3.31	A	1.17+2.81+2.81+1.17+2.81+2.81 (1.5-14.4)	13.60	3600 (200 ~ 3720)	16.5	15.8	15.2	3.78	A
1.5+3.5+3.5+1.8+1.8+1.8	13.9	0.94+2.18+2.18+1.77+1.77+1.77 (1.5-12)	10.60	3200 (200 ~ 3360)	14.7	14.1	13.5	3.31	A	1.17+2.81+2.81+2.27+2.27+2.27 (1.5-14.4)	13.60	3600 (200 ~ 3720)	16.5	15.8	15.2	3.78	A
1.5+3.5+3.5+1.8+1.8+2.5	14.6	0.94+2.18+2.18+1.56+1.56+2.17 (1.5-12.4)	10.60	3200 (200 ~ 3360)	14.7	14.1	13.5	3.31	A	1.17+2.81+2.81+1.91+1.91+2.98 (1.5-14.4)	13.60	3600 (200 ~ 3720)	16.5	15.8	15.2	3.78	A
1.5+3.5+3.5+1.8+1.8+3.5	15.6	0.94+2.18+2.18+1.34+1.34+2.61 (1.5-12.6)	10.60	3200 (200 ~ 3360)	14.7	14.1	13.5	3.31	A	1.17+2.81+2.81+1.73+1.73+3.33 (1.5-14.4)	13.60	3600 (200 ~ 3720)	16.5	15.8	15.2	3.78	A
1.5+3.5+3.5+1.8+1.8+5.0	17.1	0.94+2.18+2.18+1.11+1.11+3.08 (1.5-12.6)	10.60	3200 (200 ~ 3360)	14.7	14.1	13.5	3.31	A	1.17+2.81+2.81+1.48+1.48+3.84 (1.5-14.4)	13.60	3600 (200 ~ 3720)	16.5	15.8	15.2	3.78	A
1.5+3.5+3.5+1.8+2.5+2.5	15.3	0.94+2.18+2.18+1.40+1.95+1.95 (1.5-12.6)	10.60	3200 (200 ~ 3360)	14.7	14.1	13.5	3.31	A	1.17+2.81+2.81+1.65+2.57+2.57 (1.5-14.4)	13.60	3600 (200 ~ 3720)	16.5	15.8	15.2	3.78	A
1.5+3.5+3.5+1.8+2.5+3.5	16.3	0.94+2.18+2.18+1.22+1.70+2.38 (1.5-12.6)	10.60	3200 (200 ~ 3360)	14.7	14.1	13.5	3.31	A	1.17+2.81+2.81+1.52+2.37+2.91 (1.5-14.4)	13.60	3600 (200 ~ 3720)	16.5	15.8	15.2	3.78	A
1.5+3.5+3.5+1.8+3.5+3.5	17.3	0.94+2.18+2.18+1.08+2.11+2.11 (1.5-12.6)	10.60	3200 (200 ~ 3360)	14.7	14.1	13.5	3.31	A	1.17+2.81+2.81+1.40+2.70+2.70 (1.5-14.4)	13.60	3600 (200 ~ 3720)	16.5	15.8	15.2	3.78	A
1.5+3.5+3.5+2.5+2.5+2.5	16.0	0.94+2.18+2.18+1.77+1.77+1.77 (1.5-12.6)	10.60	3200 (200 ~ 3360)	14.7	14.1	13.5	3.31	A	1.17+2.81+2.81+2.27+2.27+2.27 (1.5-14.4)	13.60	3600 (200 ~ 3720)	16.5	15.8	15.2	3.78	A
1.5+3.5+3.5+2.5+2.5+3.5	17.0	0.94+2.18+2.18+1.56+1.56+2.18 (1.5-12.6)	10.60	3200 (200 ~ 3360)	14.7	14.1	13.5	3.31	A	1.17+2.81+2.81+2.00+2.00+2.80 (1.5-14.4)	13.60	3600 (200 ~ 3720)	16.5	15.8	15.2	3.78	A

SIX UNITS

POSSIBLE COMBINATIONS TO OPERATE	TOTAL (kW)	COOLING									HEATING								
		CAPACITY RATING (kW)			OUTDOOR UNIT					EER	Class	CAPACITY RATING (kW)			OUTDOOR UNIT			COP	Class
		(RANGE)		TOTAL	TOTAL INPUT (W)	AMPERE(A)			TOTAL			(RANGE)		TOTAL INPUT (W)	AMPERE(A)				
						220V	230V	240V							220V	230V	240V		
1.8+1.8+1.8+1.8+1.8	10.8	1.77+1.77+1.77+1.77+1.77	10.60	3200	14.7	14.1	13.5	3.31	A	2.27+2.27+2.27+2.27+2.27	13.60	3600	16.5	15.8	15.2	3.78	A		
		(1.5-12)		(200 - 3360)						(1.5-14.4)		(200 - 3720)							
1.8+1.8+1.8+1.8+2.5	11.5	1.77+1.77+1.77+1.56+1.56+2.17	10.60	3200	14.7	14.1	13.5	3.31	A	2.27+2.27+2.27+1.91+1.91+2.98	13.60	3600	16.5	15.8	15.2	3.78	A		
		(1.5-12.4)		(200 - 3360)						(1.5-14.4)		(200 - 3720)							
1.8+1.8+1.8+1.8+3.5	12.5	1.77+1.77+1.77+1.34+1.34+2.61	10.60	3200	14.7	14.1	13.5	3.31	A	2.27+2.27+2.27+1.73+1.73+3.33	13.60	3600	16.5	15.8	15.2	3.78	A		
		(1.5-12.6)		(200 - 3360)						(1.5-14.4)		(200 - 3720)							
1.8+1.8+1.8+1.8+5.0	14.0	1.77+1.77+1.77+1.11+1.11+3.08	10.60	3200	14.7	14.1	13.5	3.31	A	2.27+2.27+2.27+1.48+1.48+3.84	13.60	3600	16.5	15.8	15.2	3.78	A		
		(1.5-12.6)		(200 - 3360)						(1.5-14.4)		(200 - 3720)							
1.8+1.8+2.5+1.8+1.8+2.5	12.2	1.56+1.56+2.17+1.56+1.56+2.17	10.60	3200	14.7	14.1	13.5	3.31	A	1.91+1.91+2.98+1.91+1.91+2.98	13.60	3600	16.5	15.8	15.2	3.78	A		
		(1.5-12.8)		(200 - 3360)						(1.5-14.4)		(200 - 3720)							
1.8+1.8+2.5+1.8+1.8+3.5	13.2	1.56+1.56+2.17+1.34+1.34+2.61	10.60	3200	14.7	14.1	13.5	3.31	A	1.91+1.91+2.98+1.73+1.73+3.33	13.60	3600	16.5	15.8	15.2	3.78	A		
		(1.5-13)		(200 - 3360)						(1.5-14.4)		(200 - 3720)							
1.8+1.8+2.5+1.8+1.8+5.0	14.7	1.56+1.56+2.17+1.11+1.11+3.08	10.60	3200	14.7	14.1	13.5	3.31	A	1.91+1.91+2.98+1.48+1.48+3.84	13.60	3600	16.5	15.8	15.2	3.78	A		
		(1.5-13)		(200 - 3360)						(1.5-14.4)		(200 - 3720)							
1.8+1.8+3.5+1.8+1.8+3.5	14.2	1.34+1.34+2.61+1.34+1.34+2.61	10.60	3200	14.7	14.1	13.5	3.31	A	1.73+1.73+3.33+1.73+1.73+3.33	13.60	3600	16.5	15.8	15.2	3.78	A		
		(1.5-13.2)		(200 - 3360)						(1.5-14.4)		(200 - 3720)							
1.8+1.8+3.5+1.8+1.8+5.0	15.7	1.34+1.34+2.61+1.11+1.11+3.08	10.60	3200	14.7	14.1	13.5	3.31	A	1.73+1.73+3.33+1.48+1.48+3.84	13.60	3600	16.5	15.8	15.2	3.78	A		
		(1.5-13.2)		(200 - 3360)						(1.5-14.4)		(200 - 3720)							
1.8+1.8+5.0+1.8+1.8+5.0	17.2	1.11+1.11+3.08+1.11+1.11+3.08	10.60	3200	14.7	14.1	13.5	3.31	A	1.48+1.48+3.84+1.48+1.48+3.84	13.60	3600	16.5	15.8	15.2	3.78	A		
		(1.5-13.2)		(200 - 3360)						(1.5-14.4)		(200 - 3720)							
1.8+1.8+2.5+1.8+2.5+2.5	12.9	1.56+1.56+2.17+1.40+1.95+1.95	10.60	3200	14.7	14.1	13.5	3.31	A	1.91+1.91+2.98+1.65+2.57+2.57	13.60	3600	16.5	15.8	15.2	3.78	A		
		(1.5-13)		(200 - 3360)						(1.5-14.4)		(200 - 3720)							
1.8+1.8+2.5+1.8+2.5+3.5	13.9	1.56+1.56+2.17+1.22+1.70+2.38	10.60	3200	14.7	14.1	13.5	3.31	A	1.91+1.91+2.98+1.52+2.37+2.91	13.60	3600	16.5	15.8	15.2	3.78	A		
		(1.5-13)		(200 - 3360)						(1.5-14.4)		(200 - 3720)							
1.8+1.8+5.0+1.8+2.5+2.5	15.4	1.11+1.11+3.08+1.40+1.95+1.95	10.60	3200	14.7	14.1	13.5	3.31	A	1.48+1.48+3.84+1.65+2.57+2.57	13.60	3600	16.5	15.8	15.2	3.78	A		
		(1.5-13.2)		(200 - 3360)						(1.5-14.4)		(200 - 3720)							
1.8+1.8+3.5+1.8+2.5+3.5	14.9	1.34+1.34+2.61+1.22+1.70+2.38	10.60	3200	14.7	14.1	13.5	3.31	A	1.73+1.73+3.33+1.52+2.37+2.91	13.60	3600	16.5	15.8	15.2	3.78	A		
		(1.5-13.2)		(200 - 3360)						(1.5-14.4)		(200 - 3720)							
1.8+1.8+5.0+1.8+2.5+3.5	16.4	1.11+1.11+3.08+1.22+1.70+2.38	10.60	3200	14.7	14.1	13.5	3.31	A	1.48+1.48+3.84+1.52+2.37+2.91	13.60	3600	16.5	15.8	15.2	3.78	A		
		(1.5-13.2)		(200 - 3360)						(1.5-14.4)		(200 - 3720)							
1.8+1.8+3.5+1.8+3.5+3.5	15.9	1.34+1.34+2.61+1.08+2.11+2.11	10.60	3200	14.7	14.1	13.5	3.31	A	1.73+1.73+3.33+1.40+2.70+2.70	13.60	3600	16.5	15.8	15.2	3.78	A		
		(1.5-13.2)		(200 - 3360)						(1.5-14.4)		(200 - 3720)							
1.8+1.8+5.0+1.8+3.5+3.5	17.4	1.11+1.11+3.08+1.08+2.11+2.11	10.60	3200	14.7	14.1	13.5	3.31	A	1.48+1.48+3.84+1.40+2.70+2.70	13.60	3600	16.5	15.8	15.2	3.78	A		
		(1.5-13.2)		(200 - 3360)						(1.5-14.4)		(200 - 3720)							
1.8+2.5+2.5+1.8+2.5+2.5	13.6	1.40+1.95+1.95+1.40+1.95+1.95	10.60	3200	14.7	14.1	13.5	3.31	A	1.65+2.57+2.57+1.65+2.57+2.57	13.60	3600	16.5	15.8	15.2	3.78	A		
		(1.5-13.2)		(200 - 3360)						(1.5-14.4)		(200 - 3720)							
1.8+2.5+2.5+1.8+2.5+3.5	14.6	1.40+1.95+1.95+1.22+1.70+2.38	10.60	3200	14.7	14.1	13.5	3.31	A	1.65+2.57+2.57+1.52+2.37+2.91	13.60	3600	16.5	15.8	15.2	3.78	A		
		(1.5-13.2)		(200 - 3360)						(1.5-14.4)		(200 - 3720)							
1.8+1.8+5.0+2.5+2.5+2.5	16.1	1.11+1.11+3.08+1.77+1.77+1.77	10.60	3200	14.7	14.1	13.5	3.31	A	1.48+1.48+3.84+2.27+2.27+2.27	13.60	3600	16.5	15.8	15.2	3.78	A		
		(1.5-13.2)		(200 - 3360)						(1.5-14.4)		(200 - 3720)							
1.8+2.5+3.5+1.8+2.5+3.5	15.6	1.22+1.70+2.38+1.22+1.70+2.38	10.60	3200	14.7	14.1	13.5	3.31	A	1.52+2.37+2.91+1.52+2.37+2.91	13.60	3600	16.5	15.8	15.2	3.78	A		
		(1.5-13.2)		(200 - 3360)						(1.5-14.4)		(200 - 3720)							

SIX UNITS



POSSIBLE COMBINATIONS TO OPERATE	TOTAL (kW)	COOLING								HEATING							
		CAPACITY RATING (kW) (RANGE)		TOTAL	OUTDOOR UNIT			EER	Class	CAPACITY RATING (kW) (RANGE)		TOTAL	OUTDOOR UNIT			COP	Class
					TOTAL INPUT (W)	AMPERE(A)							TOTAL INPUT (W)	AMPERE(A)			
		220V	230V	240V	220V	230V	240V										
1.8+1.8+5.0+2.5+2.5+3.5	17.1	1.11+1.11+3.08+1.56+1.56+2.18 (1.5-13.2)	10.60	3200 (200 ~ 3360)	14.7	14.1	13.5	3.31	A	1.48+1.48+3.84+2.00+2.00+2.80 (1.5-14.4)	13.60	3600 (200 ~ 3720)	16.5	15.8	15.2	3.78	A
1.8+2.5+3.5+1.8+3.5+3.5	16.6	1.22+1.70+2.38+1.08+2.11+2.11 (1.5-13.2)	10.60	3200 (200 ~ 3360)	14.7	14.1	13.5	3.31	A	1.52+2.37+2.91+1.40+2.70+2.70 (1.5-14.4)	13.60	3600 (200 ~ 3720)	16.5	15.8	15.2	3.78	A
1.8+3.5+3.5+1.8+3.5+3.5	17.6	1.08+2.11+2.11+1.08+2.11+2.11 (1.5-13.2)	10.60	3200 (200 ~ 3360)	14.7	14.1	13.5	3.31	A	1.40+2.70+2.70+1.40+2.70+2.70 (1.5-14.4)	13.60	3600 (200 ~ 3720)	16.5	15.8	15.2	3.78	A
1.8+2.5+2.5+2.5+2.5+2.5	14.3	1.40+1.95+1.95+1.77+1.77+1.77 (1.5-13.2)	10.60	3200 (200 ~ 3360)	14.7	14.1	13.5	3.31	A	1.65+2.57+2.57+2.27+2.27+2.27 (1.5-14.4)	13.60	3600 (200 ~ 3720)	16.5	15.8	15.2	3.78	A
1.8+2.5+3.5+2.5+2.5+2.5	15.3	1.22+1.70+2.38+1.77+1.77+1.77 (1.5-13.2)	10.60	3200 (200 ~ 3360)	14.7	14.1	13.5	3.31	A	1.52+2.37+2.91+2.27+2.27+2.27 (1.5-14.4)	13.60	3600 (200 ~ 3720)	16.5	15.8	15.2	3.78	A
1.8+2.5+3.5+2.5+2.5+3.5	16.3	1.22+1.70+2.38+1.56+1.56+2.18 (1.5-13.2)	10.60	3200 (200 ~ 3360)	14.7	14.1	13.5	3.31	A	1.52+2.37+2.91+2.00+2.00+2.80 (1.5-14.4)	13.60	3600 (200 ~ 3720)	16.5	15.8	15.2	3.78	A
1.8+3.5+3.5+2.5+2.5+3.5	17.3	1.08+2.11+2.11+1.56+1.56+2.18 (1.5-13.2)	10.60	3200 (200 ~ 3360)	14.7	14.1	13.5	3.31	A	1.40+2.70+2.70+2.00+2.00+2.80 (1.5-14.4)	13.60	3600 (200 ~ 3720)	16.5	15.8	15.2	3.78	A
2.5+2.5+2.5+2.5+2.5+2.5	15.0	1.77+1.77+1.77+1.77+1.77+1.77 (1.5-13.2)	10.60	3200 (200 ~ 3360)	14.7	14.1	13.5	3.31	A	2.27+2.27+2.27+2.27+2.27+2.27 (1.5-14.4)	13.60	3600 (200 ~ 3720)	16.5	15.8	15.2	3.78	A
2.5+2.5+2.5+2.5+2.5+3.5	16.0	1.77+1.77+1.77+1.56+1.56+2.18 (1.5-13.2)	10.60	3200 (200 ~ 3360)	14.7	14.1	13.5	3.31	A	2.27+2.27+2.27+2.00+2.00+2.80 (1.5-14.4)	13.60	3600 (200 ~ 3720)	16.5	15.8	15.2	3.78	A
2.5+2.5+3.5+2.5+2.5+3.5	17.0	1.56+1.56+2.18+1.56+1.56+2.18 (1.5-13.2)	10.60	3200 (200 ~ 3360)	14.7	14.1	13.5	3.31	A	2.00+2.00+2.80+2.00+2.00+2.80 (1.5-14.4)	13.60	3600 (200 ~ 3720)	16.5	15.8	15.2	3.78	A

SIX UNITS

OUTDOOR CONNECTION TERMINAL	4 UNIT CONNECTION	5 UNIT CONNECTION	6 UNIT CONNECTION
INDOOR 1			1.5kW, 1.8kW, 2.5kW
INDOOR 2	1.5kW, 1.8kW, 2.5kW, 3.5kW	1.5kW, 1.8kW, 2.5kW, 3.5kW	1.5kW, 1.8kW, 2.5kW, 3.5kW
INDOOR 3	1.5kW, 1.8kW, 2.5kW, 3.5kW, 5.0kW	1.5kW, 1.8kW, 2.5kW, 3.5kW, 5.0kW	1.5kW, 1.8kW, 2.5kW, 3.5kW, 5.0kW
INDOOR 4		1.5kW, 1.8kW, 2.5kW	1.5kW, 1.8kW, 2.5kW
INDOOR 5	1.5kW, 1.8kW, 2.5kW, 3.5kW	1.5kW, 1.8kW, 2.5kW, 3.5kW	1.5kW, 1.8kW, 2.5kW, 3.5kW
INDOOR 6	1.5kW, 1.8kW, 2.5kW, 3.5kW, 5.0kW	1.5kW, 1.8kW, 2.5kW, 3.5kW, 5.0kW	1.5kW, 1.8kW, 2.5kW, 3.5kW, 5.0kW

Indoor unit model	Nominal cooling capacity (kW)	Capacity (kW) at single unit operation		Suitable room size (m <sup>2</sup> ) At single unit operation	
		Cooling	Heating	Cooling	Heating
RAK-18QXB	1.8	1.00-2.00	1.10-3.20	8-12	9-11
RAK-25RXB	2.5	1.00-2.80	1.10-4.70	11-17	14-18
RAK-35RXB	3.5	1.00-3.90	1.10-5.80	16-24	17-22
RAK-50RXB	5.0	1.00-5.50	1.10-7.20	23-34	23-29
RAK-15QPB	1.5	1.00-2.20	1.10-2.20	8-12	9-11
RAK-18RPB	1.8	1.00-2.00	1.10-3.20	8-12	9-11
RAK-25RPB	2.5	1.00-2.80	1.10-4.70	11-17	14-18
RAK-35RPB	3.5	1.00-3.90	1.10-5.80	16-24	17-22
RAK-50RPB	5.0	1.00-5.50	1.10-7.20	23-34	23-29
RAF-25RXB	2.5	1.50-2.80	1.80-4.70	11-17	14-18
RAF-35RXB	3.5	1.50-3.90	1.80-5.80	16-24	17-22
RAF-50RXB	5.0	1.50-5.60	1.80-7.20	23-34	23-29
RAI-25QPB	2.5	1.00-2.80	1.10-4.70	11-17	14-18
RAI-35QPB	3.5	1.00-3.90	1.10-5.80	16-24	17-22
RAI-50QPB	5.0	1.00-5.50	1.10-7.20	23-34	23-29
RAD-18QPB	1.8	1.00-2.00	1.10-3.20	8-12	9-11
RAD-25QPB	2.5	1.00-2.80	1.10-4.70	11-17	14-18
RAD-35QPB	3.5	1.00-3.90	1.10-5.80	16-24	17-22
RAD-50QPB	5.0	1.00-5.50	1.10-7.20	23-34	23-29

- Four indoor units shall be connected at least
- ONE UNIT indicates one indoor unit is on operation when four indoor units or more are connected.
- TWO UNITS indicates two indoor units are on operation when four indoor units or more are connected.
- THREE UNITS indicates three indoor units are on operation when four indoor units or more are connected.
- FOUR UNITS indicates four indoor units are on operation when four indoor units or more are connected.
- FIVE UNITS indicates five indoor units are on operation when five indoor units or more are connected.
- Total nominal cooling capacity shall not be more than 17.6kW (Nominal cooling capacity shall not be more than 8.80kW for each refrigerant cycle)

## 4 SOUND DATA

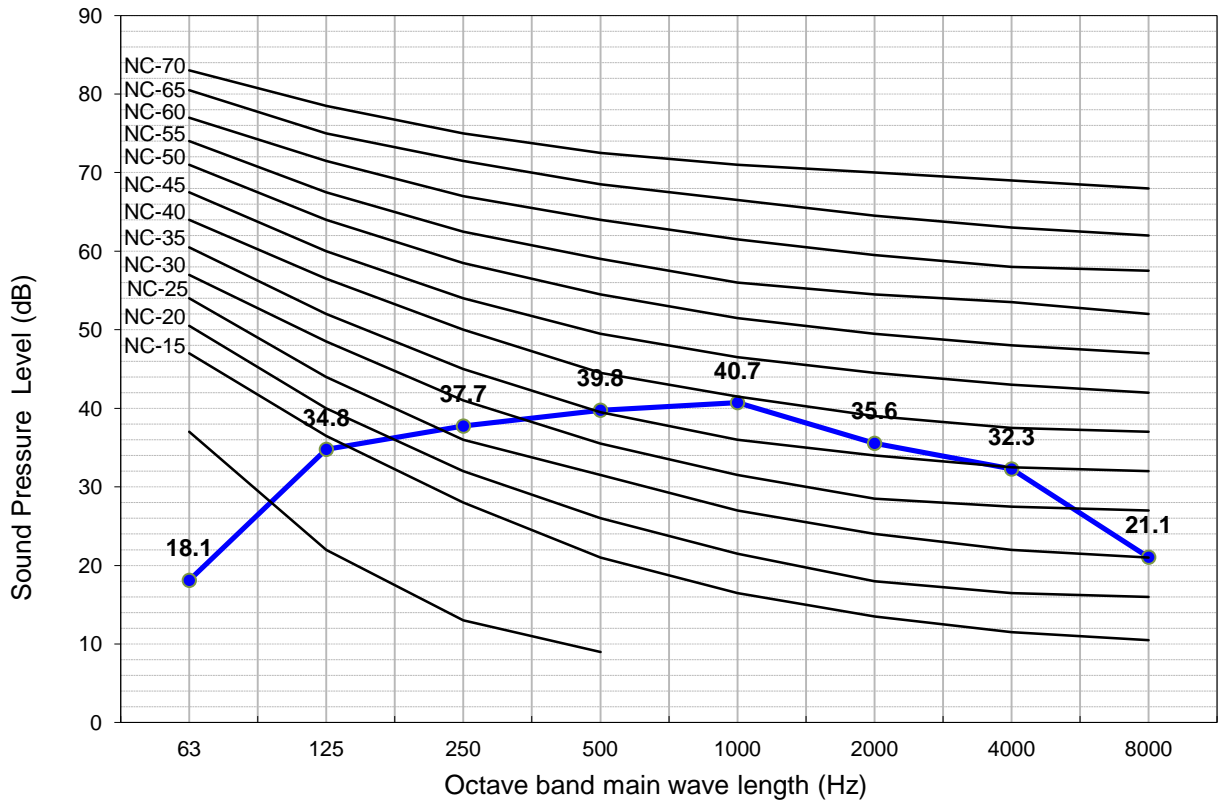
### CONTENTS

4	SOUND DATA	4-1
4.1.	SOUND DATA	4-2
4.1.1.	RAM-33NP2B	4-2
4.1.2.	RAM-40NP2B	4-3
4.1.3.	RAM-53NP2B	4-4
4.1.4.	RAM-53NP3B	4-5
4.1.5.	RAM-68NP3B	4-6
4.1.6.	RAM-70NP4B	4-7
4.1.7.	RAM-90NP5B	4-8
4.1.8.	RAM-110NP6B	4-9

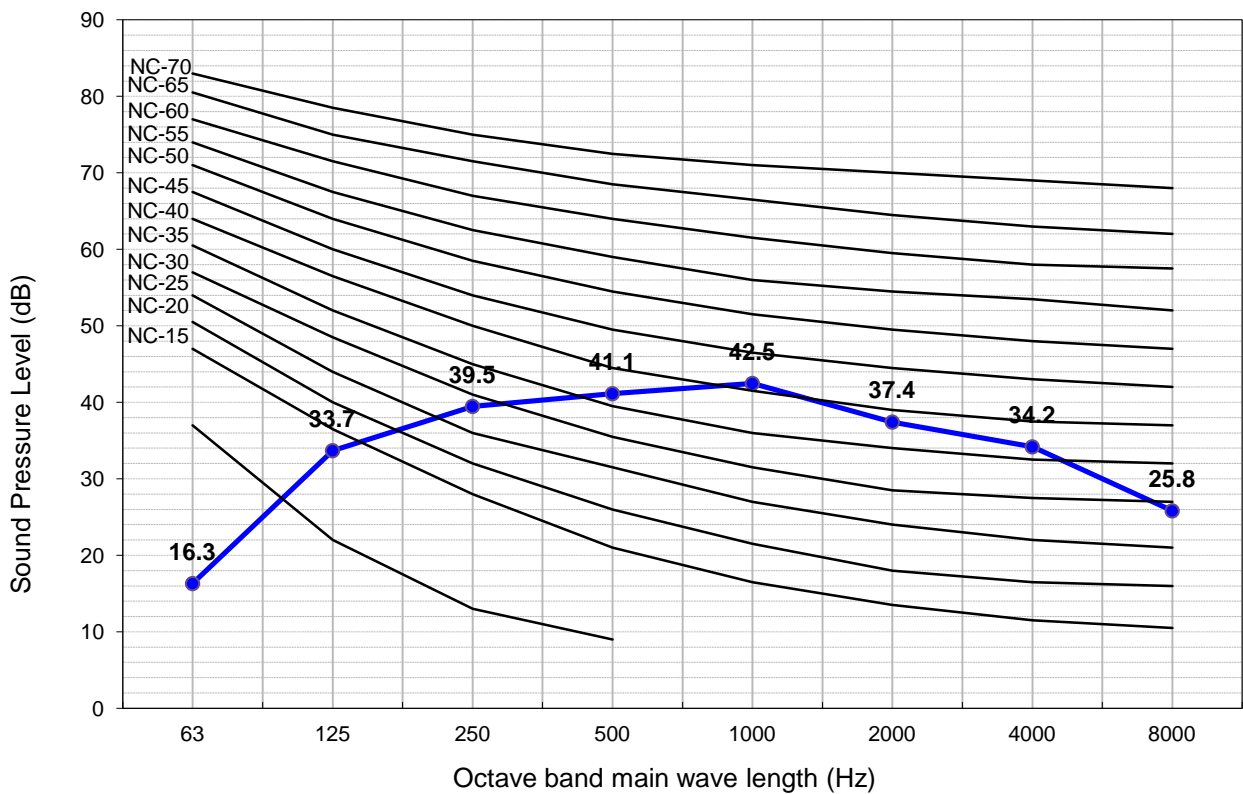
### 4.1. SOUND DATA

#### 4.1.1. RAM-33NP2B

COOLING MODE



HEATING MODE



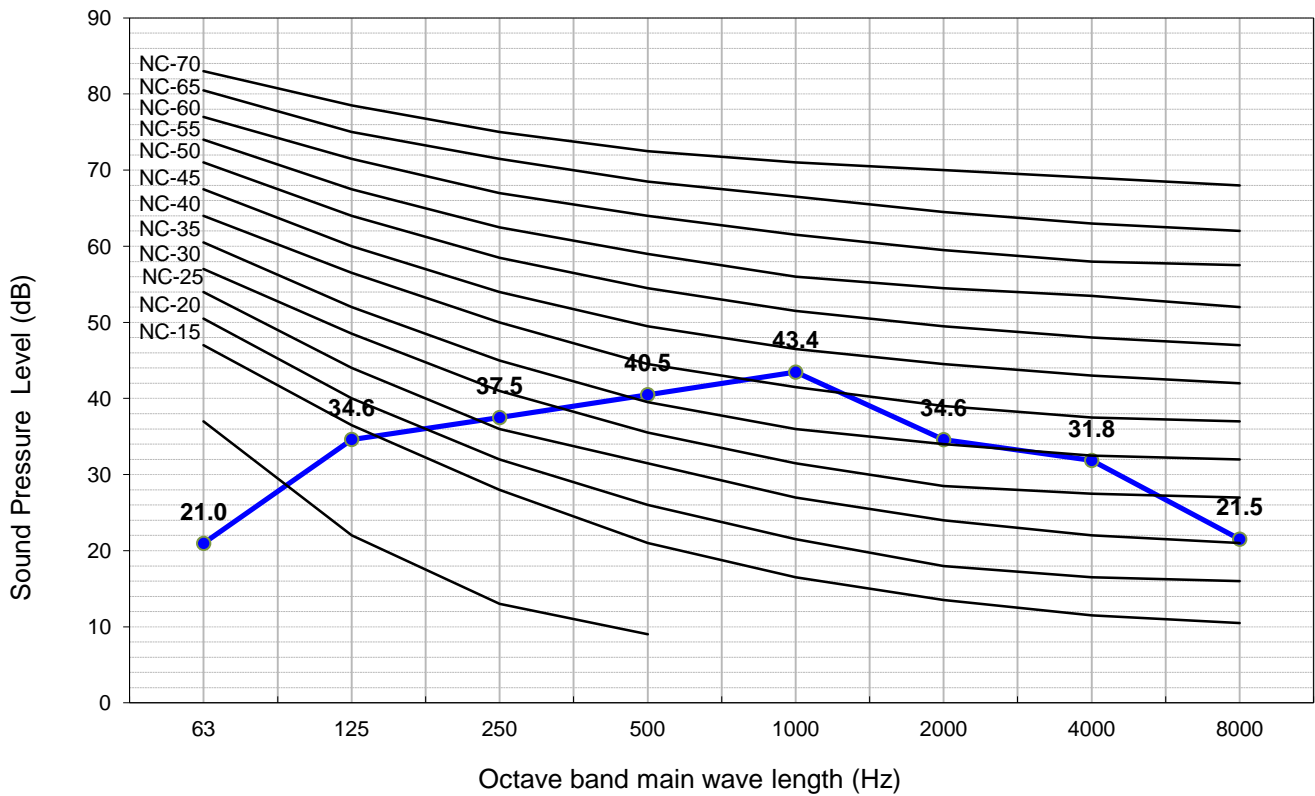
The Sound Pressure Level is based on the following conditions:

1 meter from the unit front surface and 1 meter from floor level

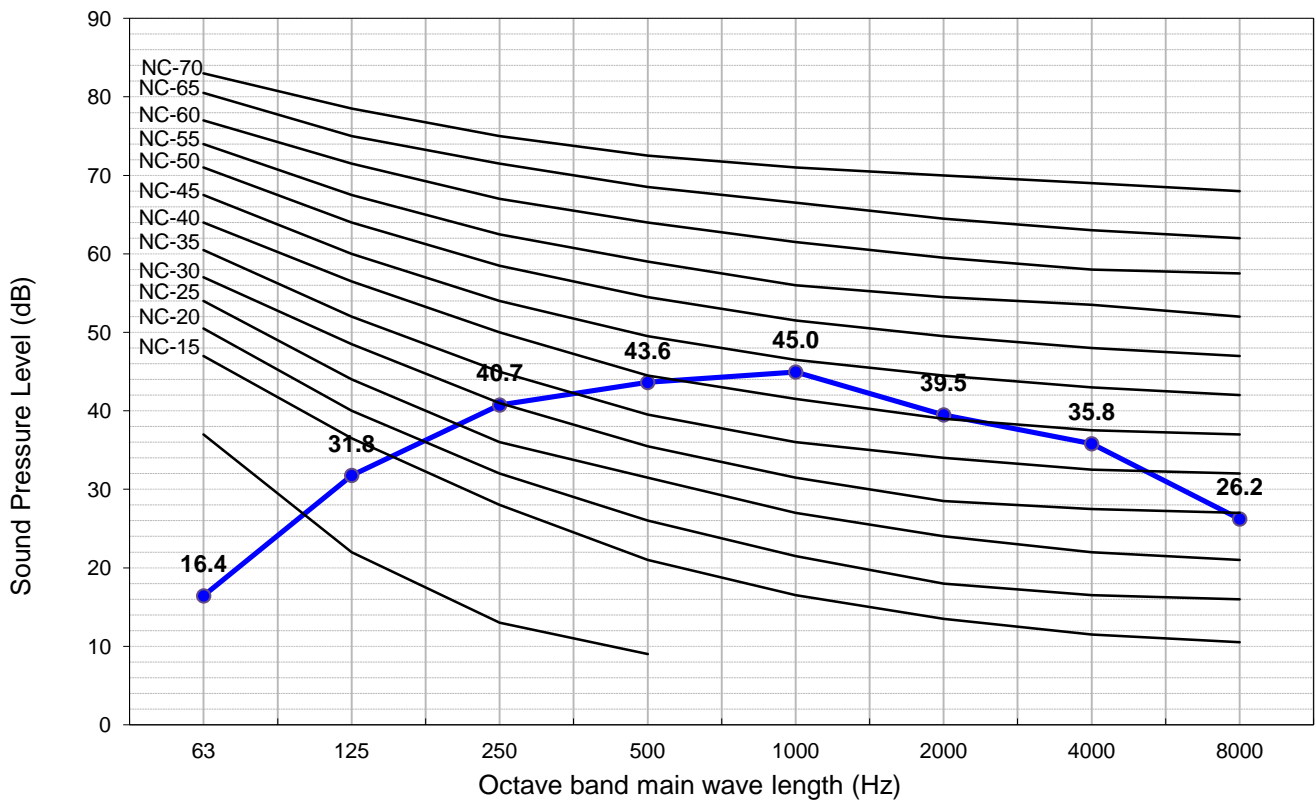
The above data was measured in an anechoic chamber. Please take into consideration reflected sound of your specific site

4.1.2. RAM-40NP2B

COOLING MODE



HEATING MODE



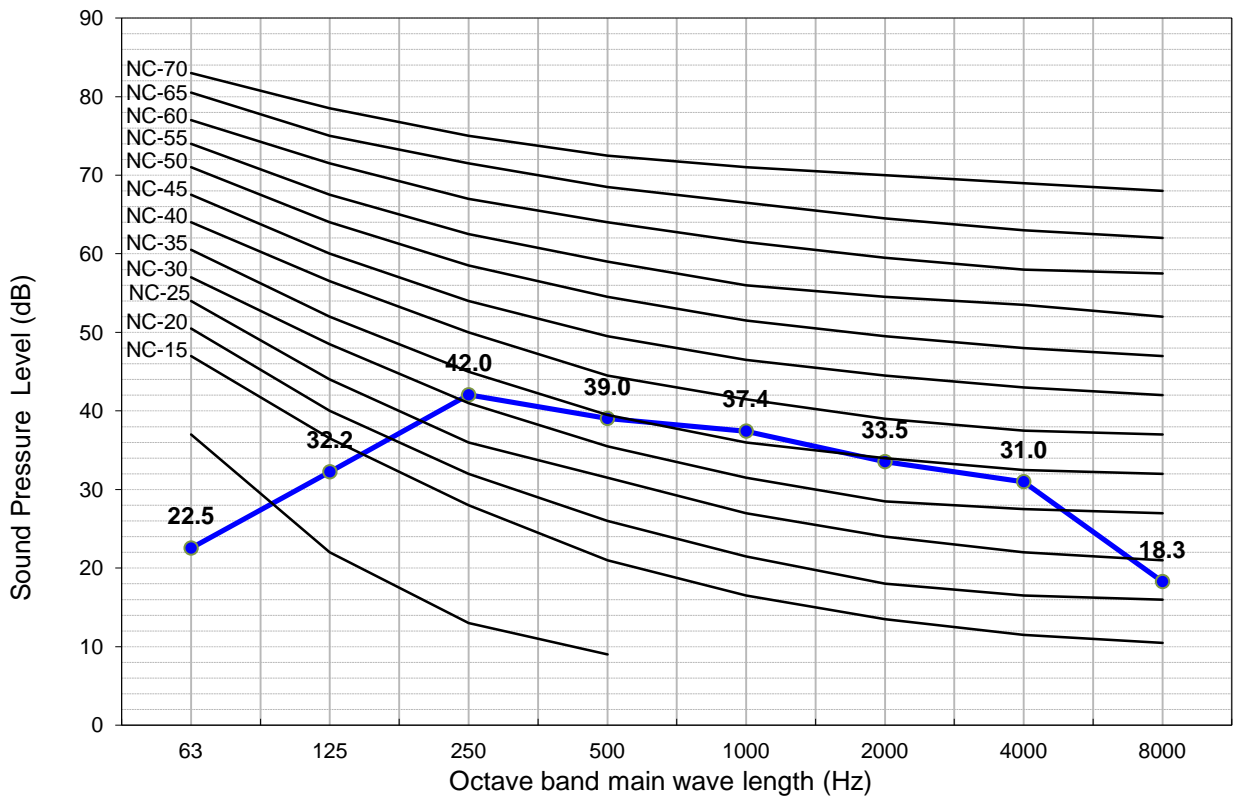
The Sound Pressure Level is based on the following conditions:

1 meter from the unit front surface and 1 meter from floor level

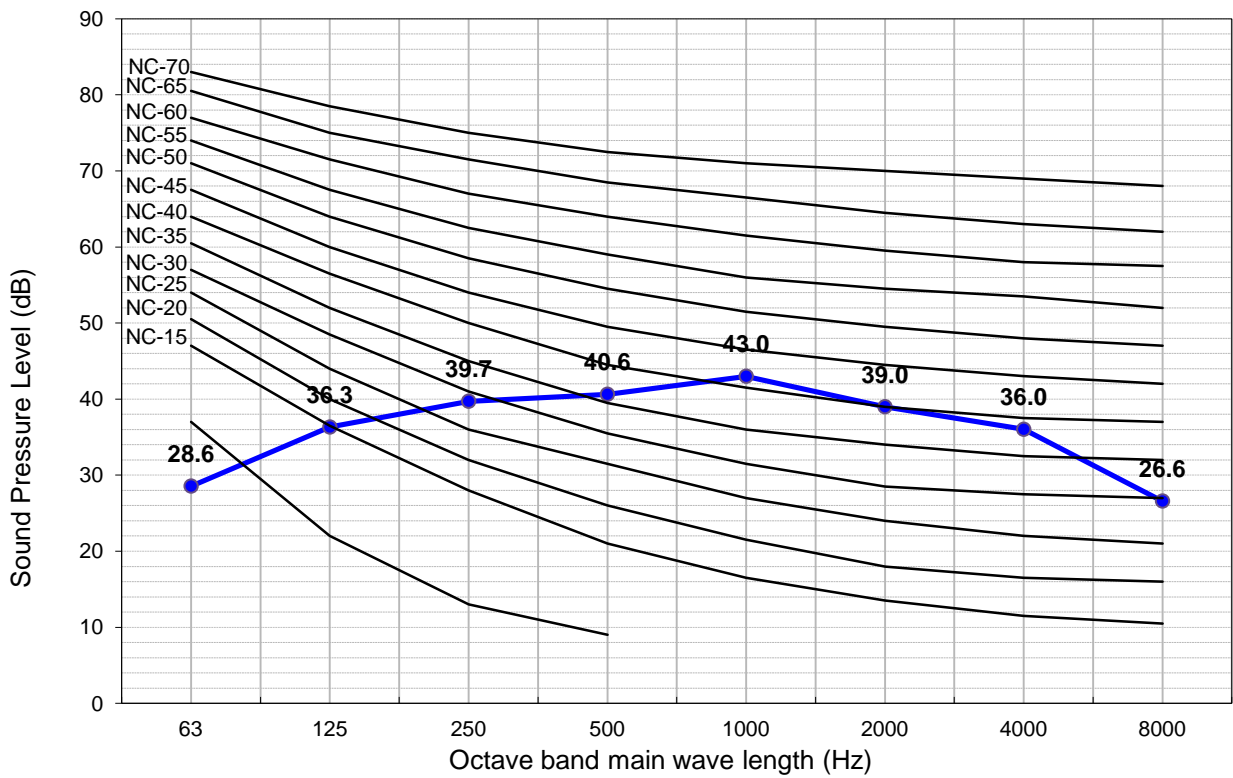
The above data was measured in an anechoic chamber. Please take into consideration reflected sound of your specific site

4.1.3. RAM-53NP2B

COOLING MODE



HEATING MODE



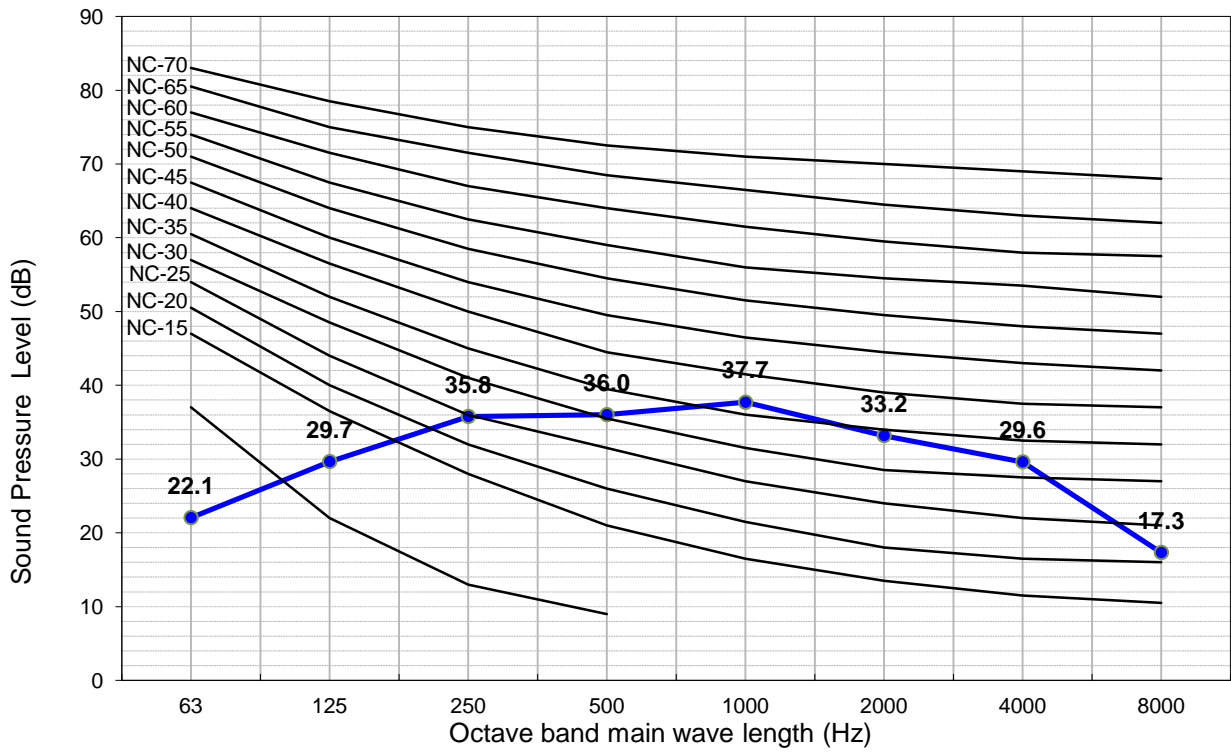
The Sound Pressure Level is based on the following conditions:

1 meter from the unit front surface and 1 meter from floor level

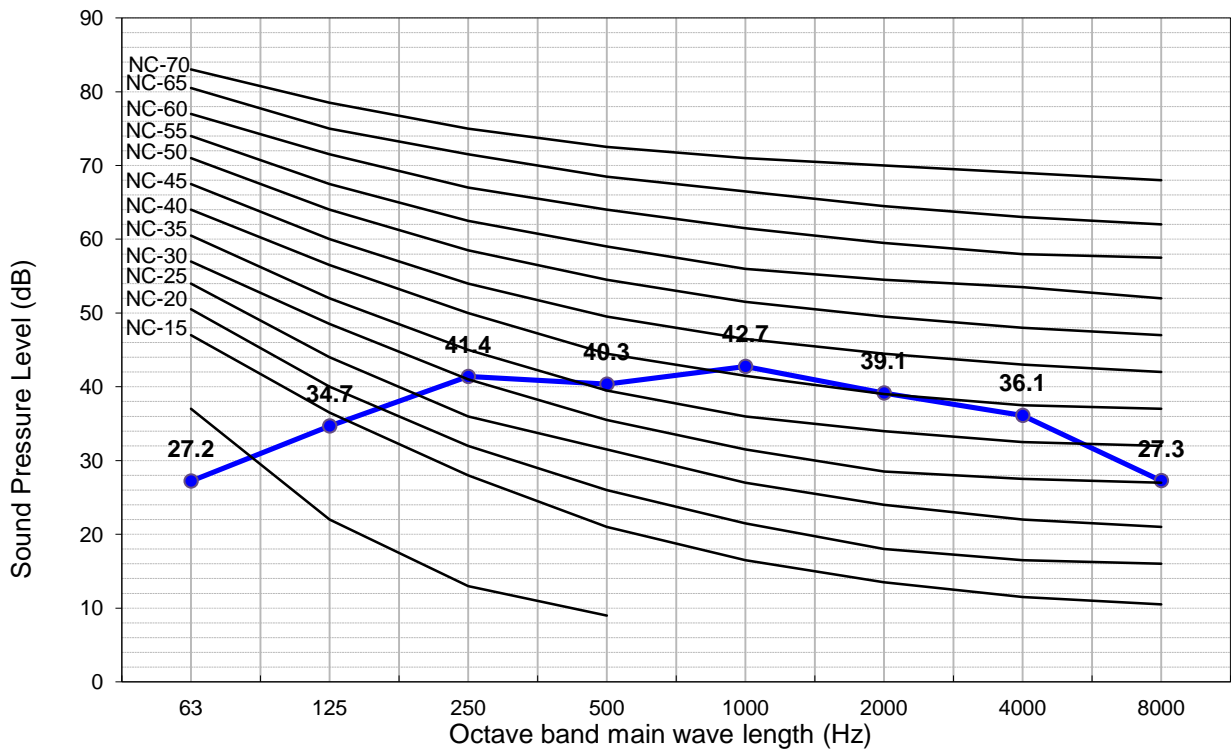
The above data was measured in an anechoic chamber. Please take into consideration reflected sound of your specific site

4.1.4. RAM-53NP3B

COOLING MODE



HEATING MODE



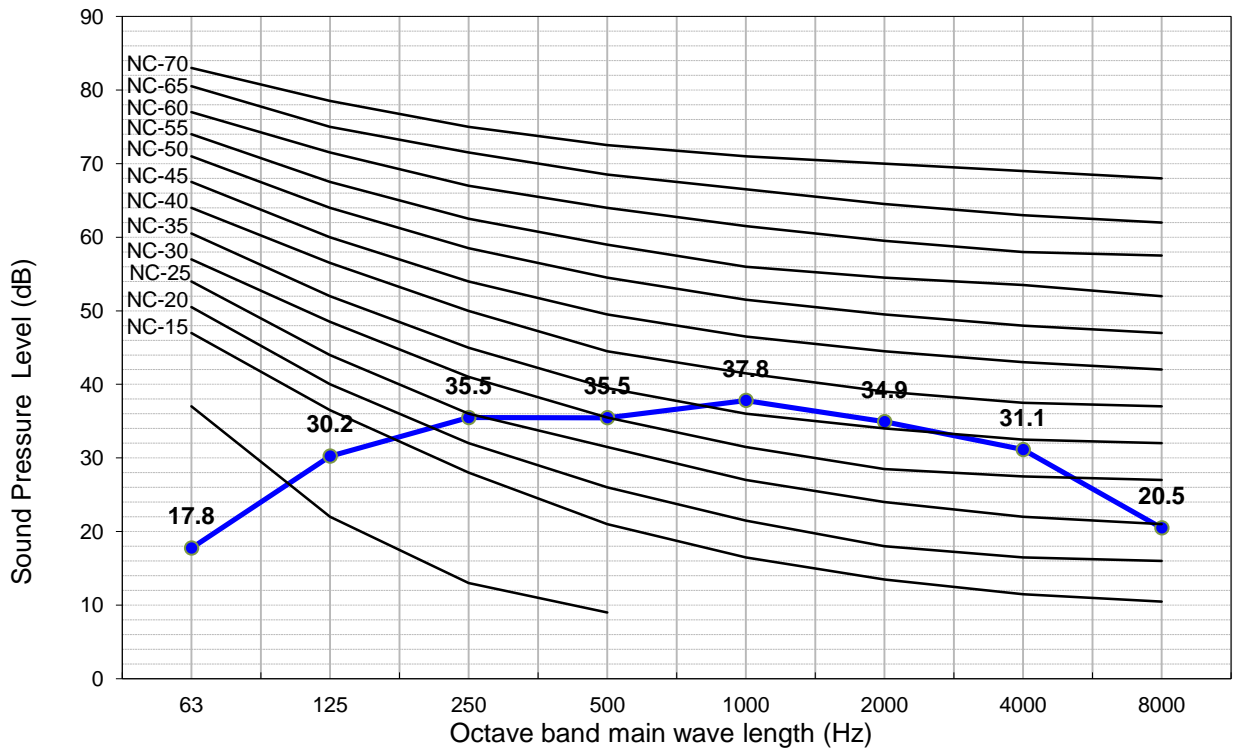
The Sound Pressure Level is based on the following conditions:

1 meter from the unit front surface and 1 meter from floor level

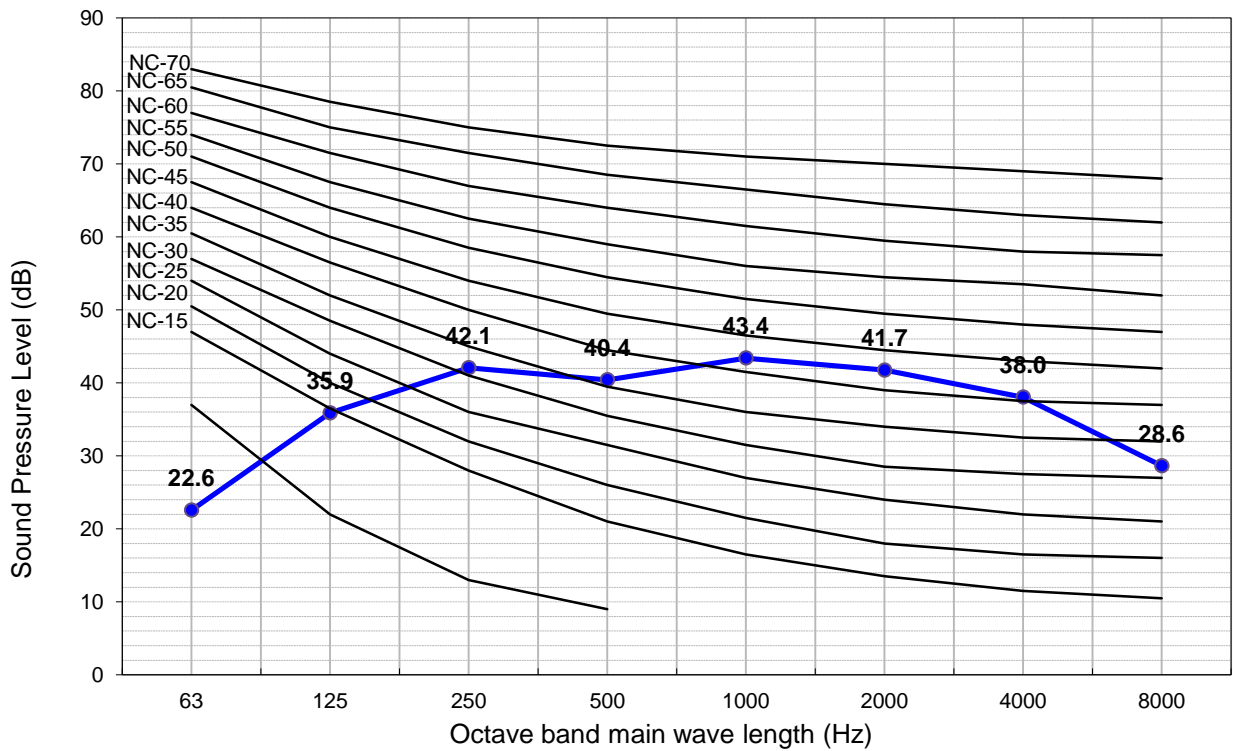
The above data was measured in an anechoic chamber. Please take into consideration reflected sound of your specific site

4.1.5. RAM-68NP3B

COOLING MODE



HEATING MODE



The Sound Pressure Level is based on the following conditions:

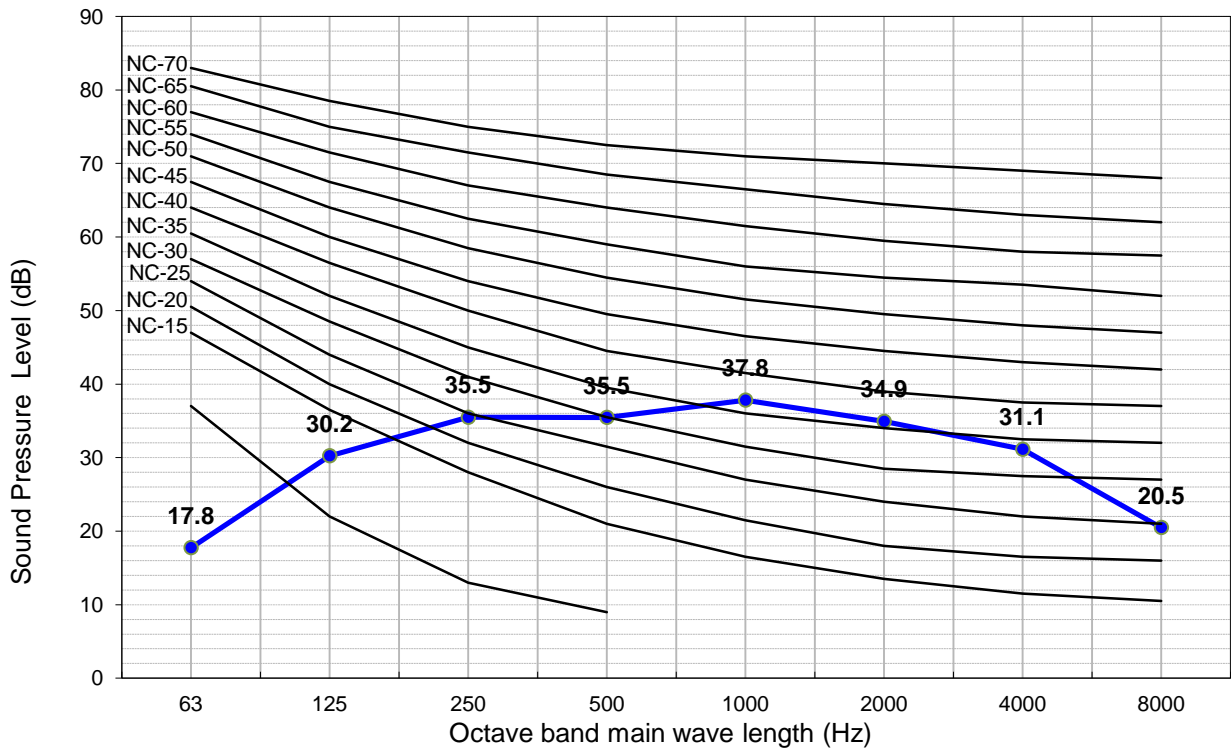
1 meter from the unit front surface and 1 meter from floor level

The above data was measured in an anechoic chamber. Please take into consideration reflected sound of your specific site

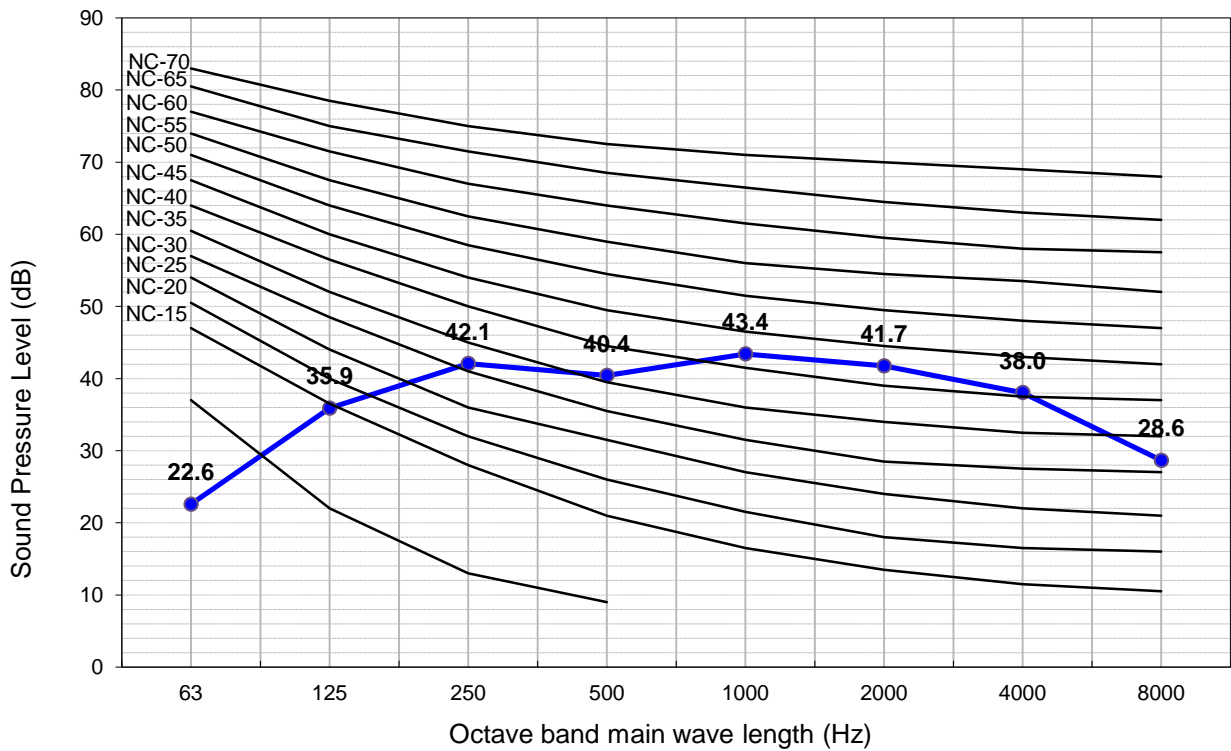


4.1.6. RAM-70NP4B

COOLING MODE



HEATING MODE



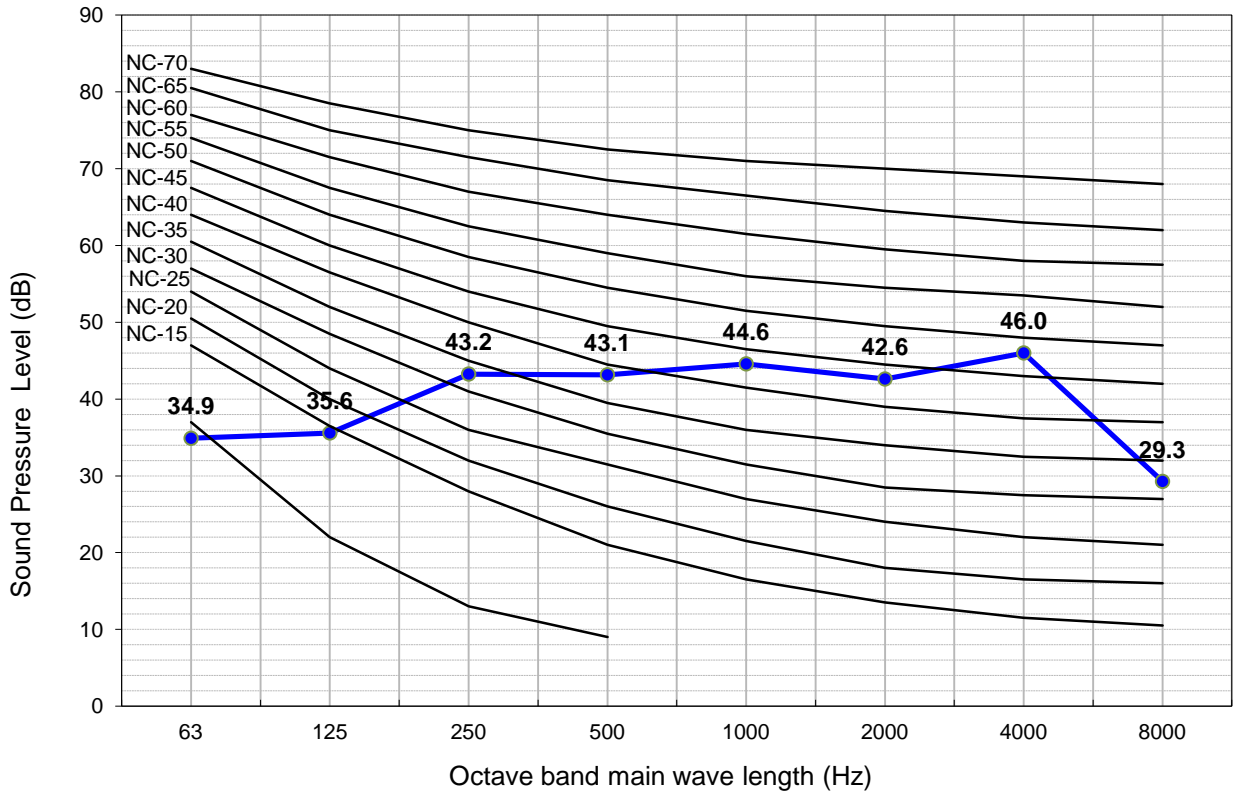
The Sound Pressure Level is based on the following conditions:

1 meter from the unit front surface and 1 meter from floor level

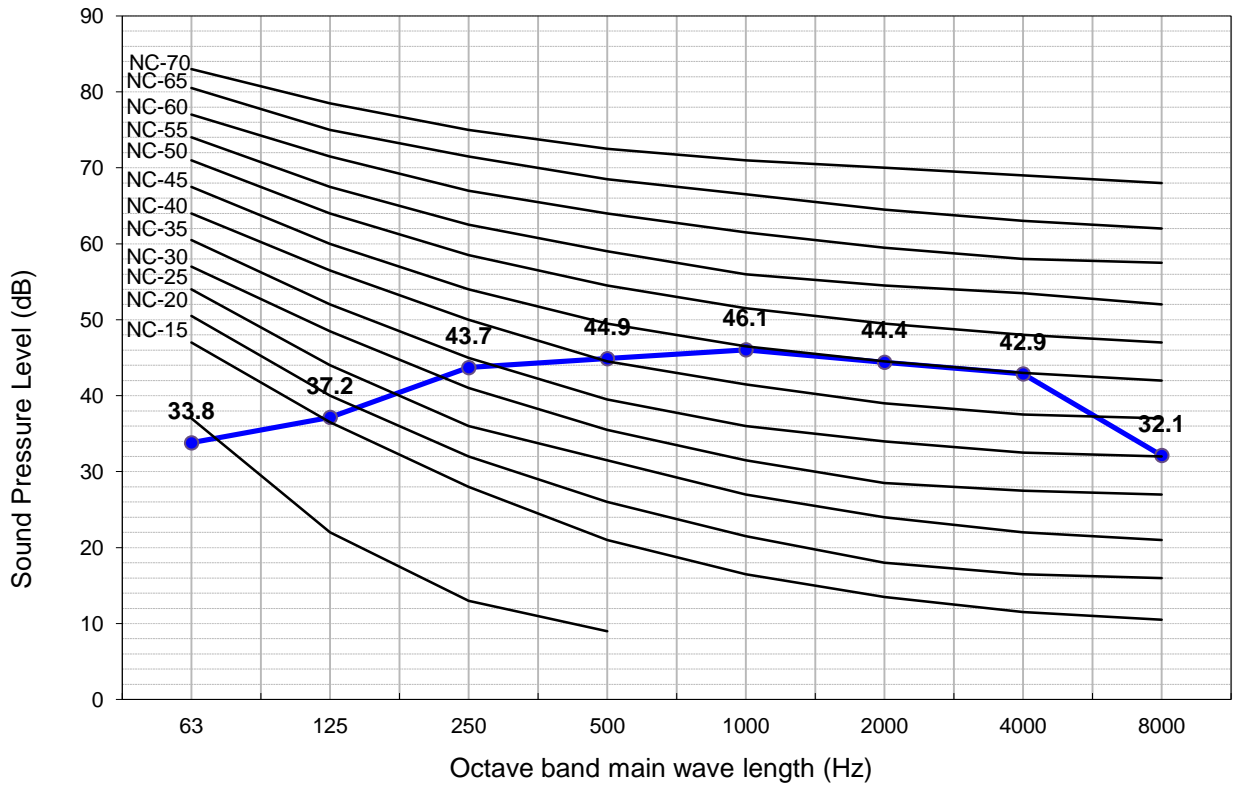
The above data was measured in an anechoic chamber. Please take into consideration reflected sound of your specific site

4.1.1.7. RAM-90NP5B

COOLING MODE



HEATING MODE



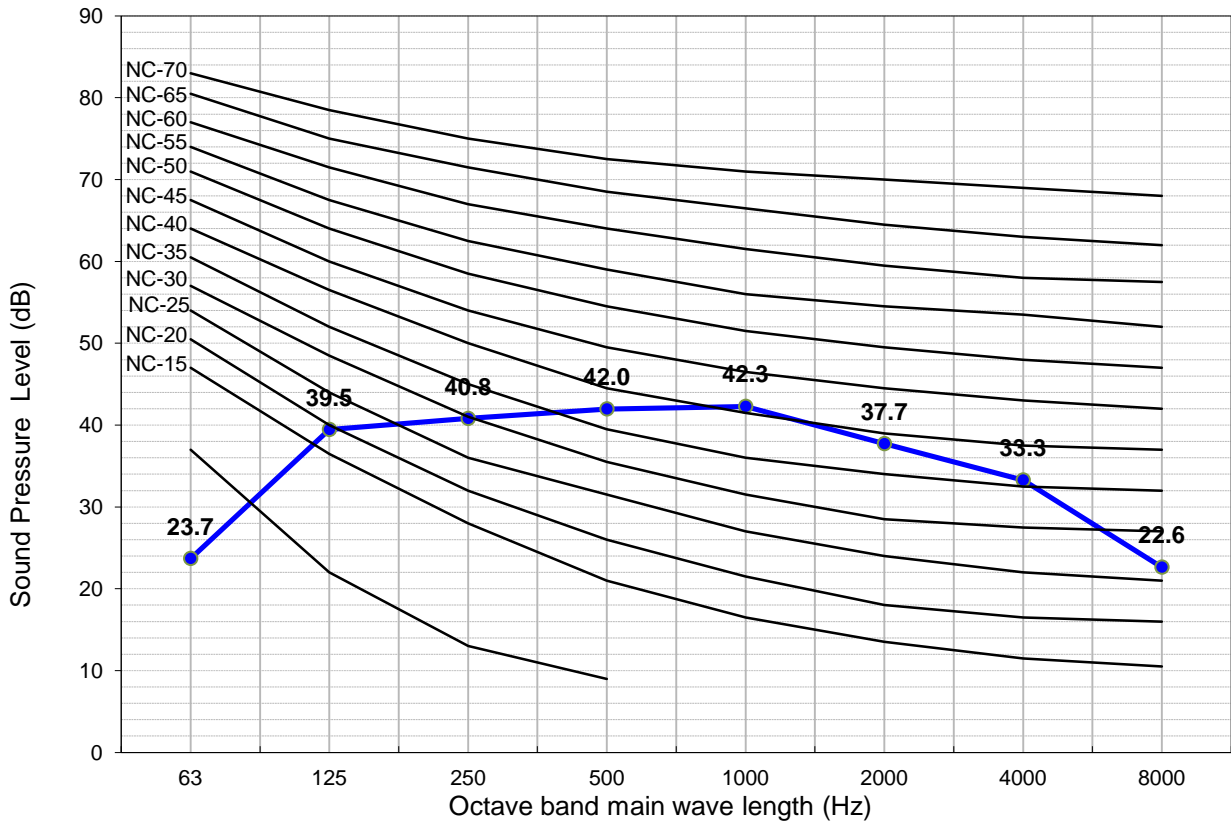
The Sound Pressure Level is based on the following conditions:

1 meter from the unit front surface and 1 meter from floor level

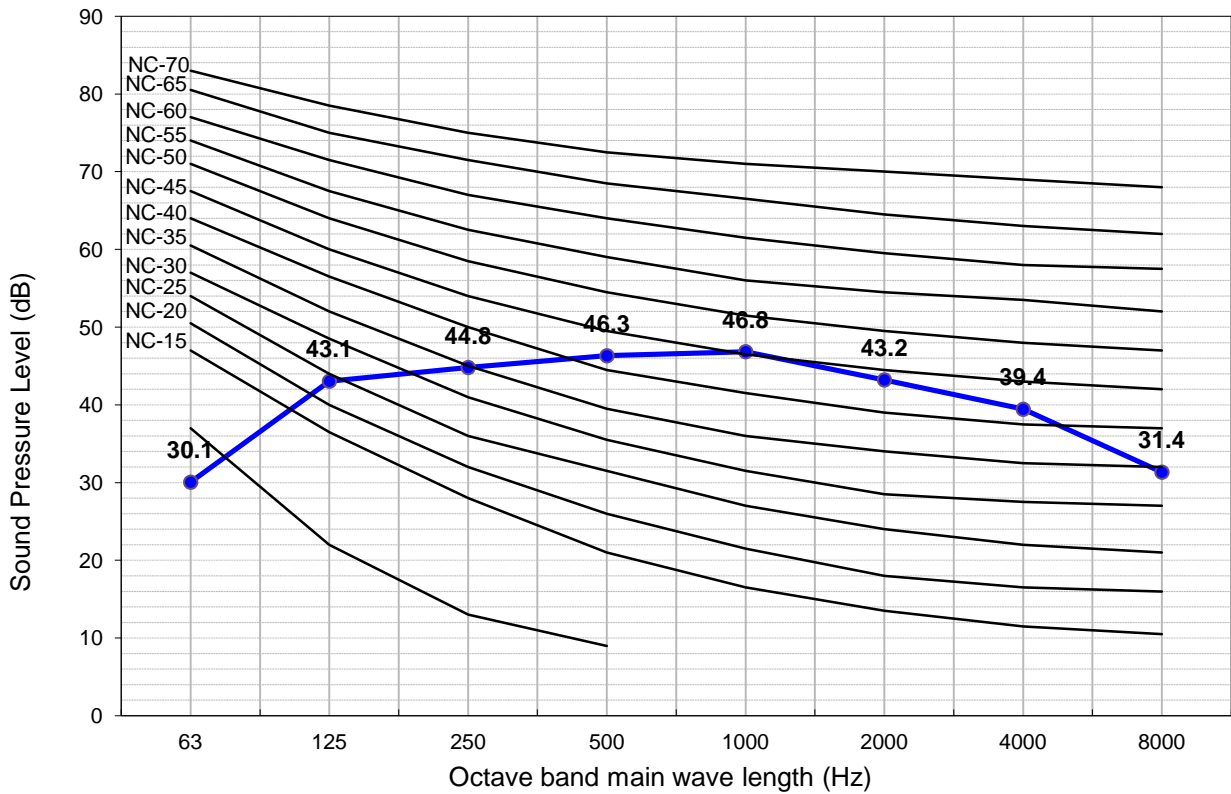
The above data was measured in an anechoic chamber. Please take into consideration reflected sound of your specific site

4.1.8. RAM-110NP6B

COOLING MODE



HEATING MODE



The Sound Pressure Level is based on the following conditions:

1 meter from the unit front surface and 1 meter from floor level

The above data was measured in an anechoic chamber. Please take into consideration reflected sound of your specific site

## 5 WORKING RANGE

### CONTENTS

5	WORKING RANGE _____	5-1
5.1.	POWER SUPPLY _____	5-2
5.2.	WORKING RANGE _____	5-2
5.2.1.	MULTIZONE _____	5-2

### 5.1. POWER SUPPLY

Working Voltage	198V ~ 264V
Voltage Imbalance	Within a 3% Deviation from Each Voltage at the Main Terminal of Outdoor Unit
Starting Voltage	Higher than 85% of the Rated Voltage

### 5.2. WORKING RANGE

#### 5.2.1. MULTIZONE

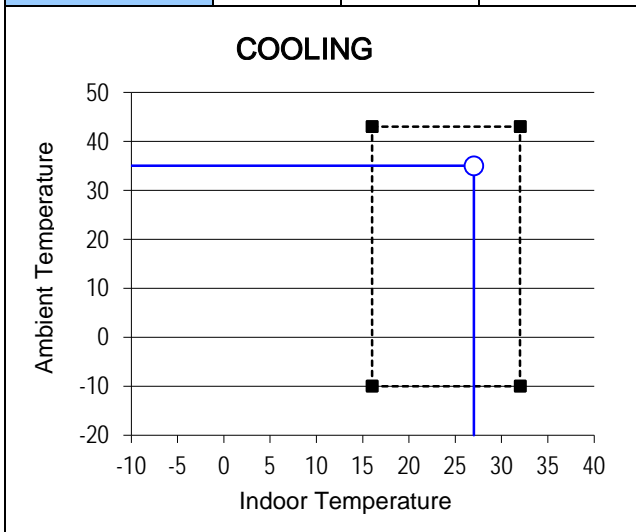
Applicable models:

<b>MULTIZONE</b>
RAM-33NP2B
RAM-40NP2B
RAM-53NP2B
RAM-53NP3B
RAM-68NP3B
RAM-70NP4B
RAM-90NP5B
RAM-110NP6B

The temperature range is indicated in the following table.

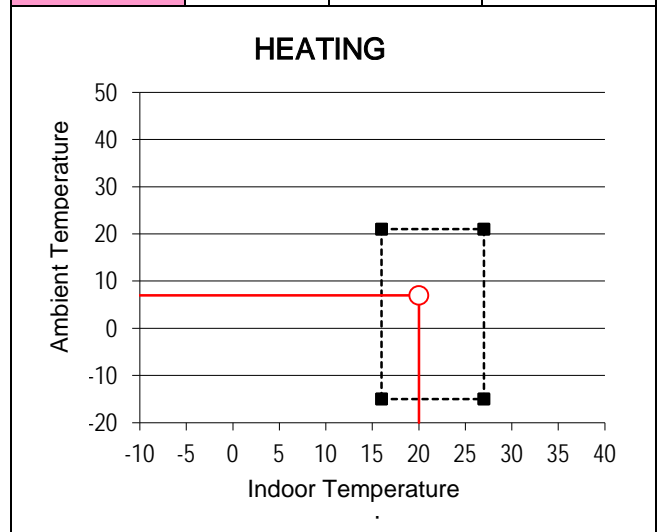
#### Cooling

working range	min (°C)	max (°C)	rated (°C)
outdoor	-10	43	35
indoor	16	32	27



#### Heating

working range	min (°C)	max (°C)	rated (°C)
outdoor	-15	21	7
indoor	16	27	20



## 6 ELECTRICAL DATA

### CONTENTS

6	ELECTRICAL DATA _____	6-1
6.1.	INDOOR UNIT _____	6-2
6.2.	OUTDOOR UNIT _____	6-3

## 6.1. INDOOR UNIT

Model	Unit Main Power		Applicable Current		Indoor Fan Motor	
	VOL, PH, Hz	Fuse Rating (A)	STC	RNC	RNC	IPT
RAK-18QXB	230, 1, 50	3.15	-	-	0.67	30
RAK-25RXB	230, 1, 50	3.15	(C) 3.68 (H) 3.85	(C) 5.30 (H) 5.22	0.67	30
RAK-35RXB	230, 1, 50	3.15	(C) 4.72 (H) 4.93	(C) 6.09 (H) 6.96	0.67	30
RAK-50RXB	230, 1, 50	3.15	(C) 7.12 (H) 7.45	(C) 9.13 (H) 11.74	0.67	30
RAK-15QPB	230, 1, 50	3.15	-	-	0.67	30
RAK-18RPB	230, 1, 50	3.15	(C) 3.34 (H) 3.49	(C) 4.39 (H) 4.22	0.67	30
RAK-25RPB	230, 1, 50	3.15	(C) 4.36 (H) 4.56	(C) 5.61 (H) 5.43	0.67	30
RAK-35RPB	230, 1, 50	3.15	(C) 5.27 (H) 5.51	(C) 6.35 (H) 7.39	0.67	30
RAK-50RPB	230, 1, 50	3.15	(C) 7.59 (H) 7.93	(C) 9.13 (H) 11.96	0.67	30
RAF-25RXB	230, 1, 50	3.15	(C) 3.31 (H) 4.24	(C) 5.13 (H) 4.87	0.75	38
RAF-35RXB	230, 1, 50	3.15	(C) 5.17 (H) 5.98	(C) 6.00 (H) 5.87	0.75	38
RAF-50RXB	230, 1, 50	3.15	(C) 7.11 (H) 8.1	(C) 9.13 (H) 11.74	0.75	38
RAI-25QPB	230, 1, 50	From Outdoor	-	-	0.08	24
RAI-35QPB	230, 1, 50	From Outdoor	-	-	0.08	24
RAI-50QPB	230, 1, 50	From Outdoor	-	-	0.08	24
RAD-18QPB	230, 1, 50	From Outdoor	-	-	0.03	7
RAD-25QPB	230, 1, 50	From Outdoor	-	-	0.03	7
RAD-35QPB	230, 1, 50	From Outdoor	-	-	0.03	7
RAD-50QPB	230, 1, 50	From Outdoor	-	-	0.03	7

VOL: Rated Unit Power Supply Voltage (V)  
 Hz: Frequency (Hz)  
 STC: Starting Current (A)

RNC: Running Current (A)  
 PH: Phase ( $\phi$ )  
 IPT: Input (W)

## 6.2. OUTDOOR UNIT

Model	Unit Main Power				Compressor Motor					
	VOL, PH, Hz	Fuse Rating (A)	Min (V)	Max (V)	Locked Rotor Ampere (A)	STC	Cooling Operation		Heating Operation	
							RNC	IPT	RNC	IPT
RAM-33NP2B	220 ~ 240, 1, 50/60	16	198	264	N/A	8	3.7	884	4.2	977
RAM-40NP2B	220 ~ 240, 1, 50/60	16	198	264	N/A	8	4.8	568	5.6	746
RAM-53NP2B	220 ~ 240, 1, 50/60	20	198	264	N/A	8	7.1	1450	8.2	1870
RAM-53NP3B	220 ~ 240, 1, 50/60	20	198	264	N/A	8	7.12	1450	7.44	1870
RAM-68NP3B	220 ~ 240, 1, 50/60	20	198	264	N/A	9	9.55	1460	10.5	1870
RAM-70NP4B	220 ~ 240, 1, 50/60	20	198	264	N/A	9	9.7	1460	9.7	1870
RAM-90NP5B	220 ~ 240, 1, 50/60	25	198	264	N/A	8	10.2	2809	11.3	3170
RAM-110NP6B	220 ~ 240, 1, 50/60	25	198	264	N/A	8	14.7	1450	16.5	1870

VOL: Rated Unit Power Supply Voltage (V)

HZ: Frequency (Hz)

STC: Starting Current (A)

RNC: Running Current (A)

PH: Phase ( $\phi$ )

IPT: Input (W)

**NOTE:**

1. The above compressor data is based on 100% capacity combination of indoor units at the rated operating frequency
2. This data is based on the same conditions as the nominal heating and cooling capacities.
3. The compressor started by an inverter, resulting in extremely low starting current.



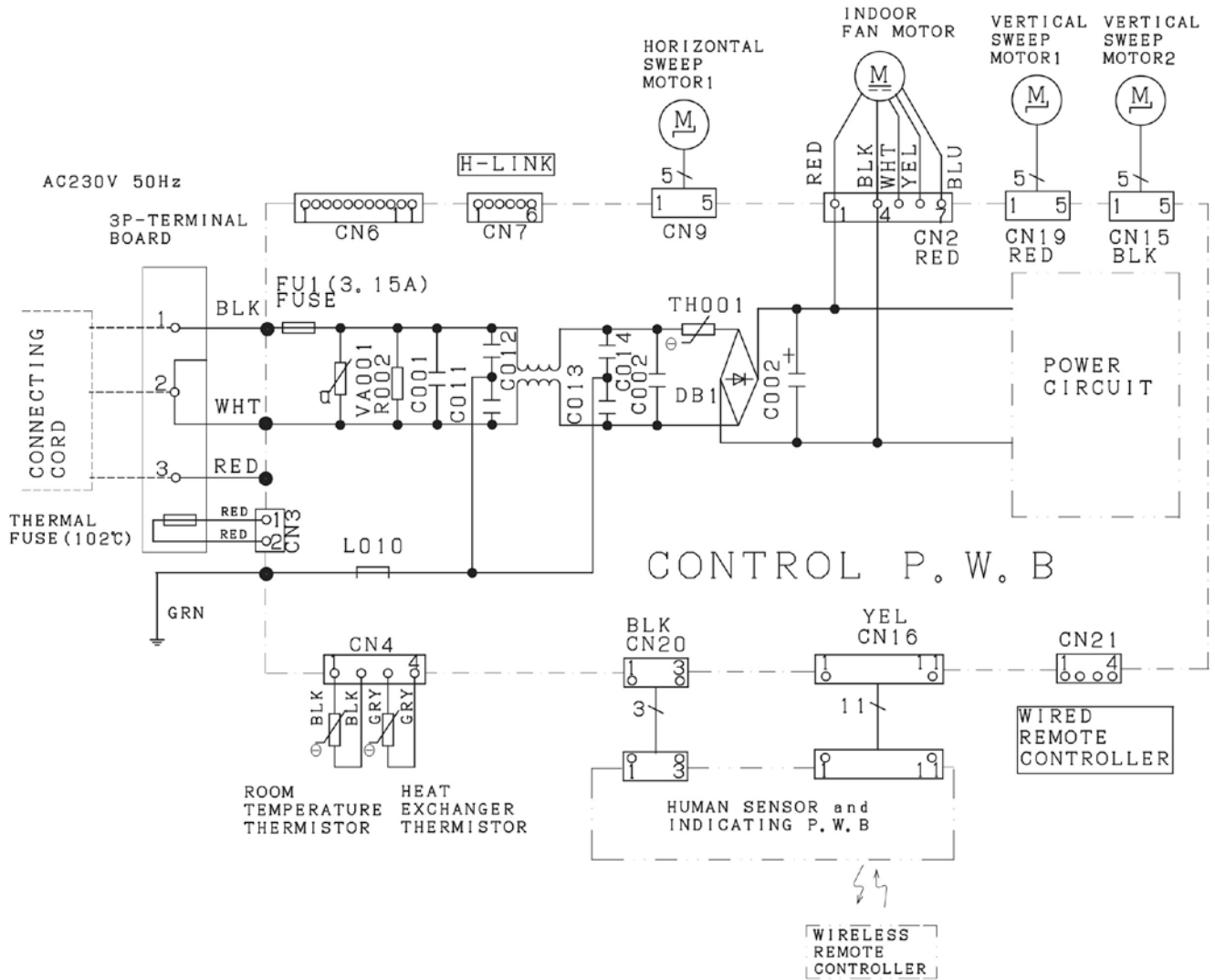
## 7 WIRING DIAGRAM

### CONTENTS

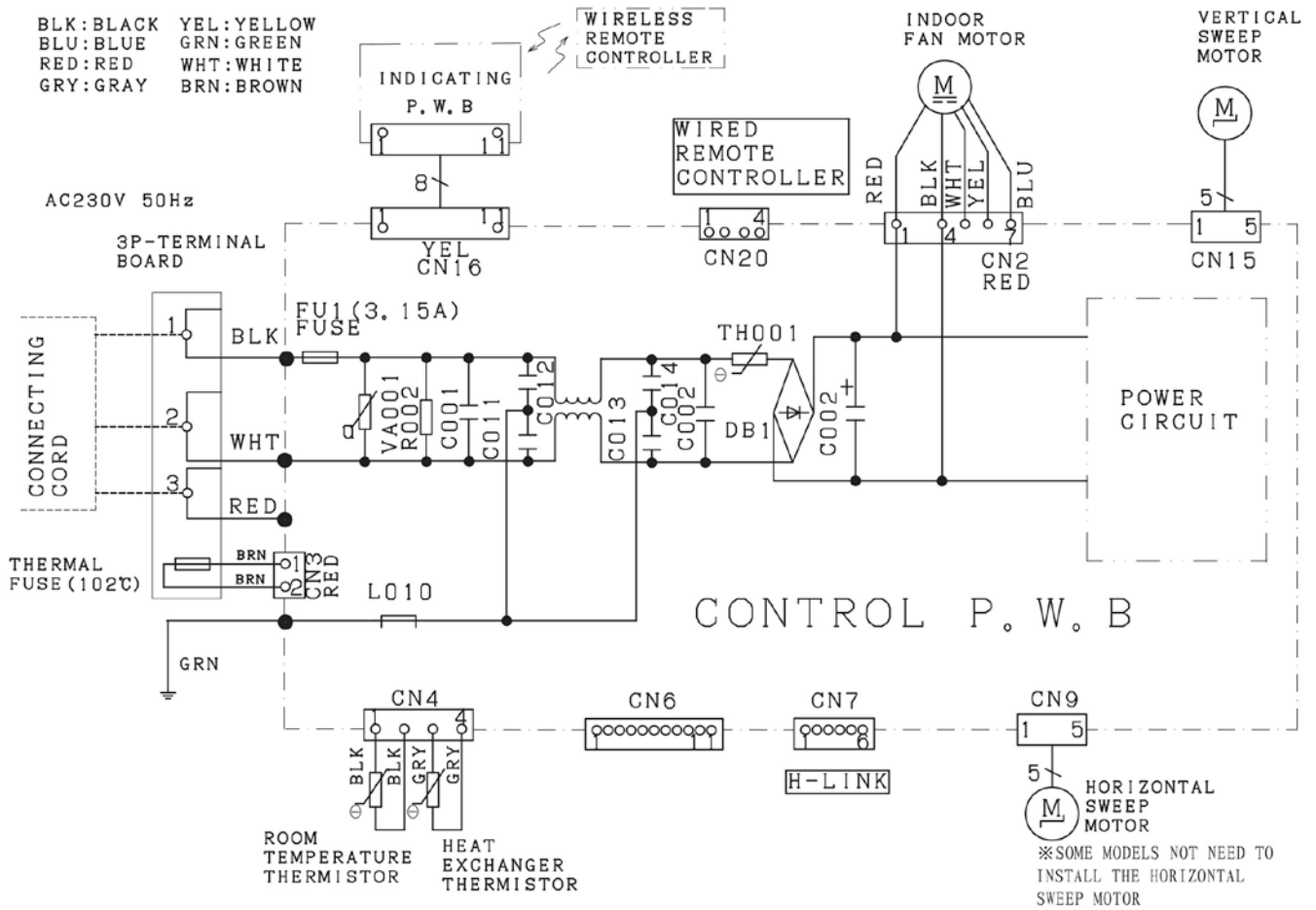
7	WIRING DIAGRAM	7-1
7.1.	MULTIZONE	7-2
7.1.1.	RAK-18QXB, RAK-25RXB, RAK-35RXB, RAK-50RXB	7-2
7.1.2.	RAK-15QPB, RAK-18RPB, RAK-25RPB, RAK-35RPB, RAK-50RPB	7-3
7.1.3.	RAF-25RXB, RAF-35RXB, RAF-50RXB	7-4
7.1.4.	RAI-25QPB, RAI-35QPB, RAI-50QPB	7-5
7.1.5.	RAD-18QPB, RAD-25QPB, RAD-35QPB, RAD-50QPB	7-6
7.1.6.	RAM-33NP2B, RAM-40NP2B, RAM-53NP2B	7-7
7.1.7.	RAM-53NP3B, RAM-68NP3B	7-8
7.1.8.	RAM-70NP4B	7-9
7.1.9.	RAM-90NP5B	7-10
7.1.10.	RAM-110NP6B	7-11

7.1. MULTIZONE

7.1.1. RAK-18QXB, RAK-25RXB, RAK-35RXB, RAK-50RXB

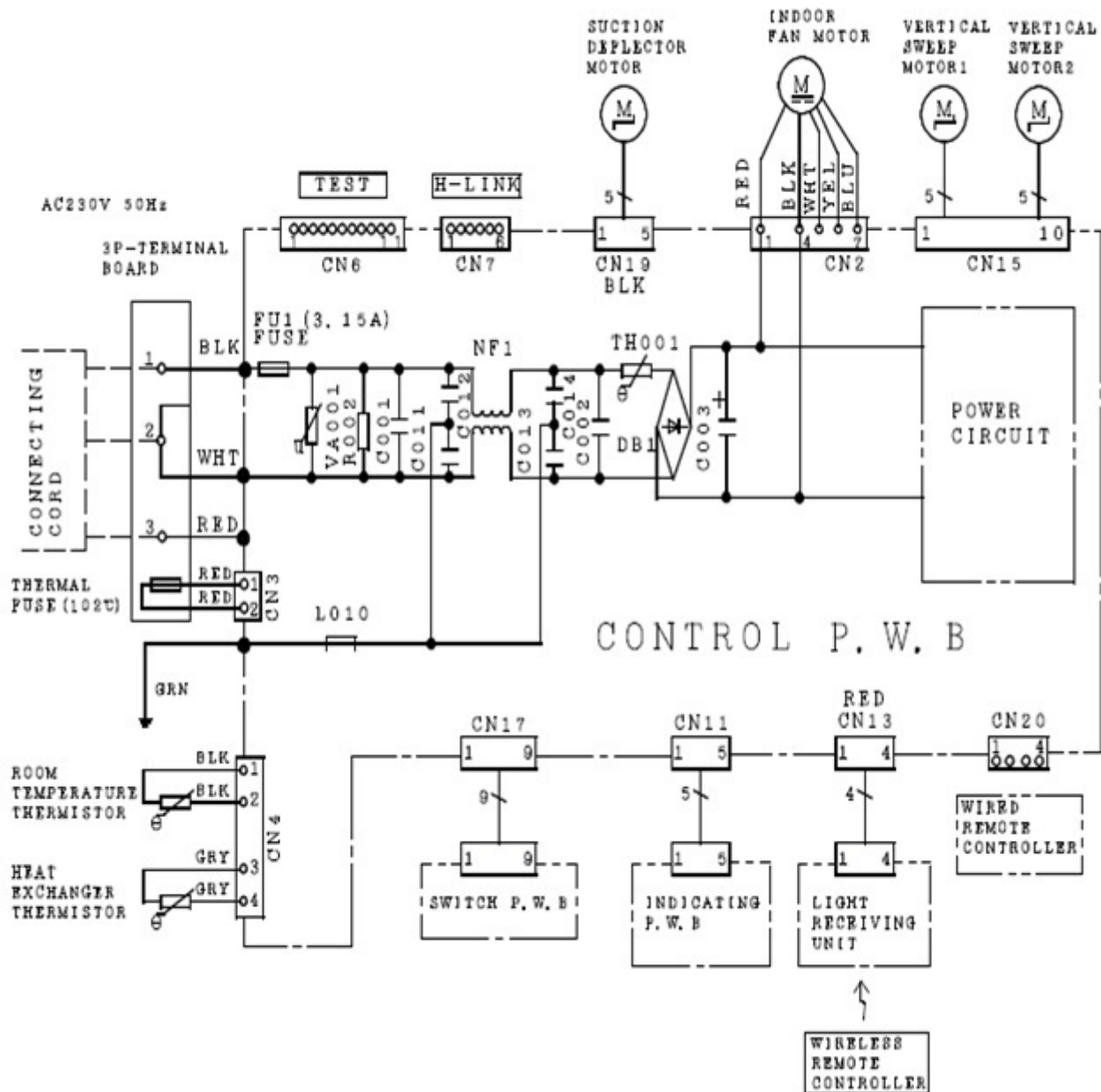


7.1.2. RAK-15QPB, RAK-18RPB, RAK-25RPB, RAK-35RPB, RAK-50RPB

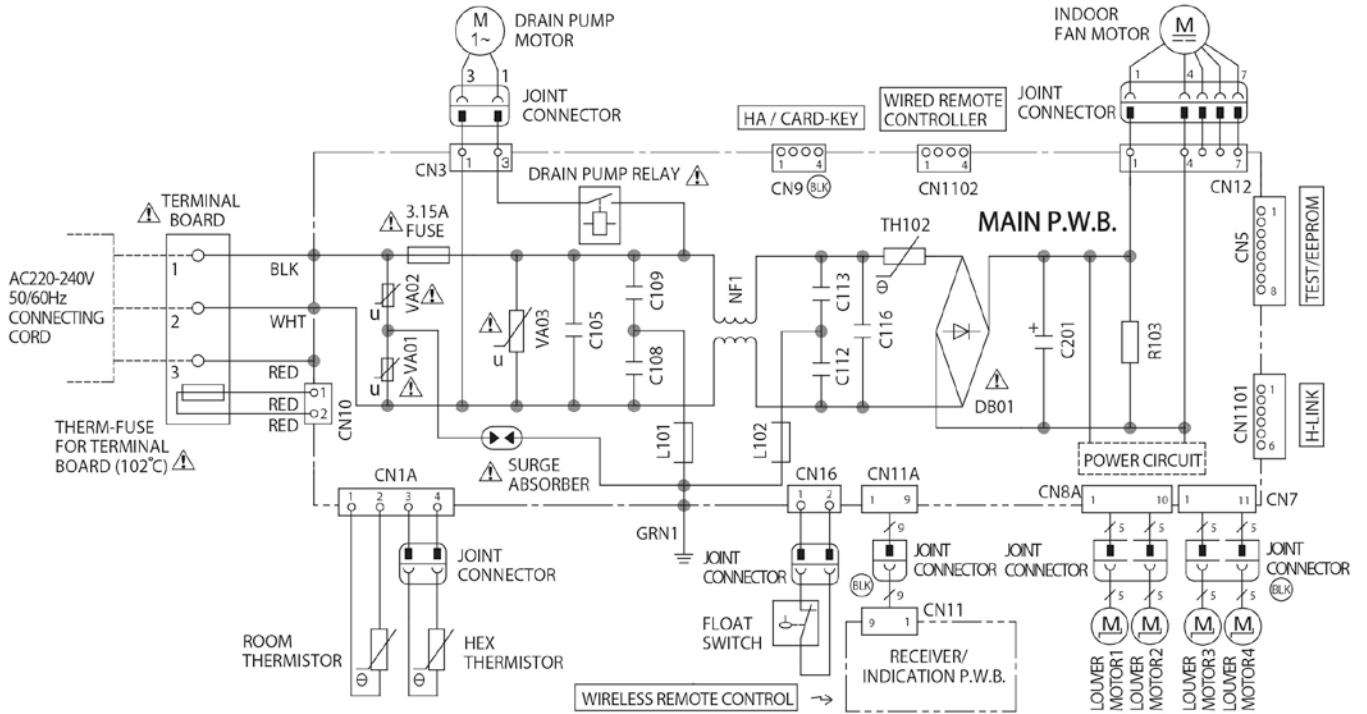


7.1.3. RAF-25RXB, RAF-35RXB, RAF-50RXB

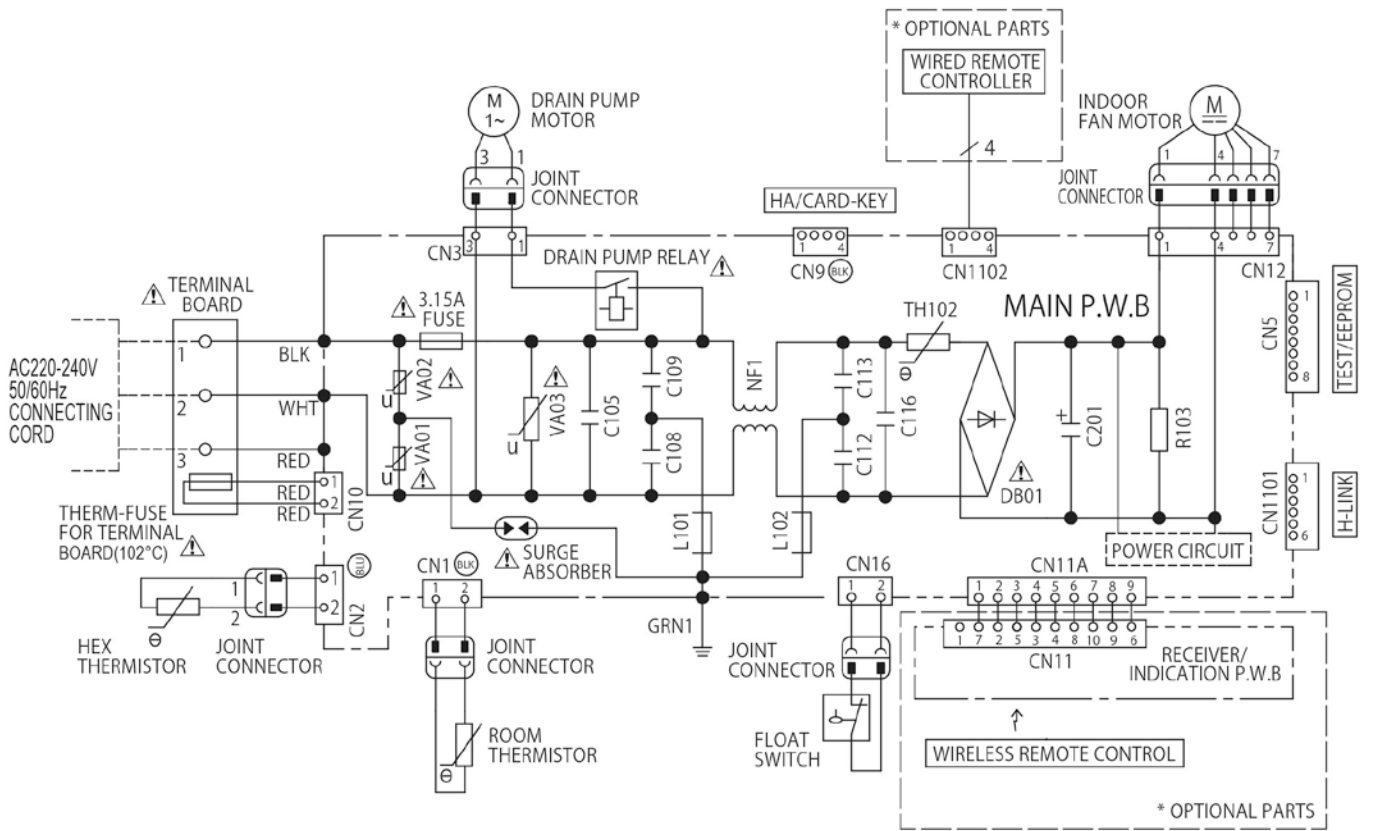
BLK:BLACK GRN:GREEN  
 RED:RED WHT:WHITE  
 GRY:GRAY



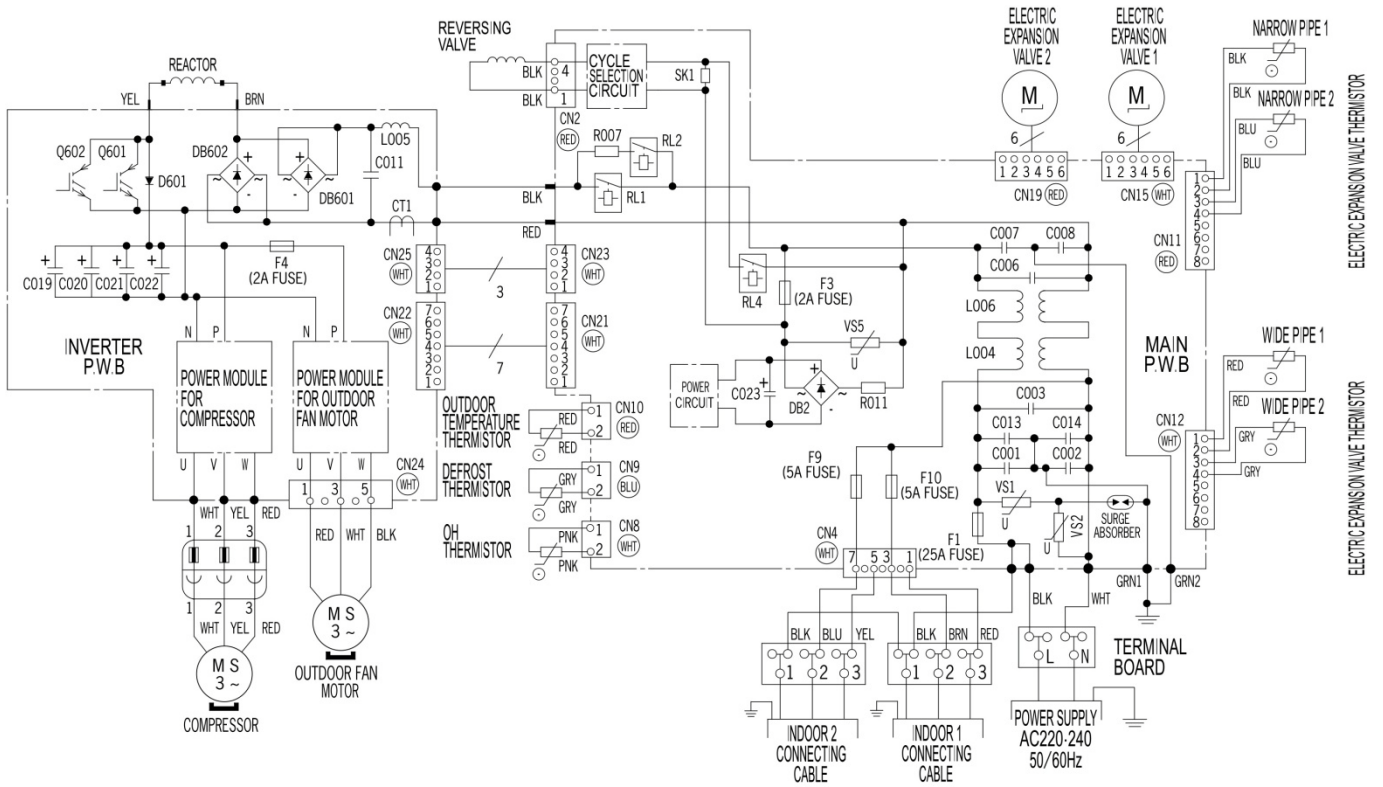
7.1.4. RAI-25QPB, RAI-35QPB, RAI-50QPB



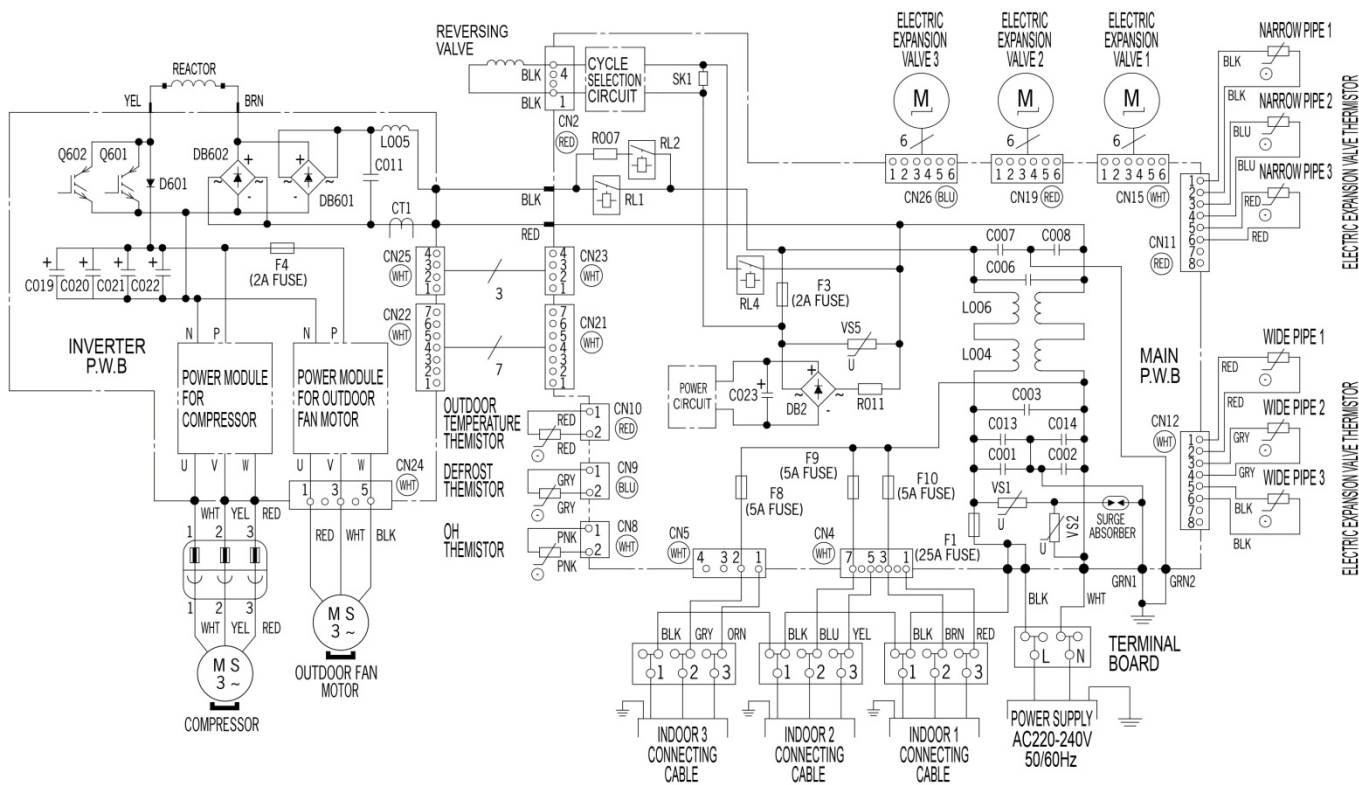
7.1.5. RAD-18QPB, RAD-25QPB, RAD-35QPB, RAD-50QPB



7.1.6. RAM-33NP2B, RAM-40NP2B, RAM-53NP2B

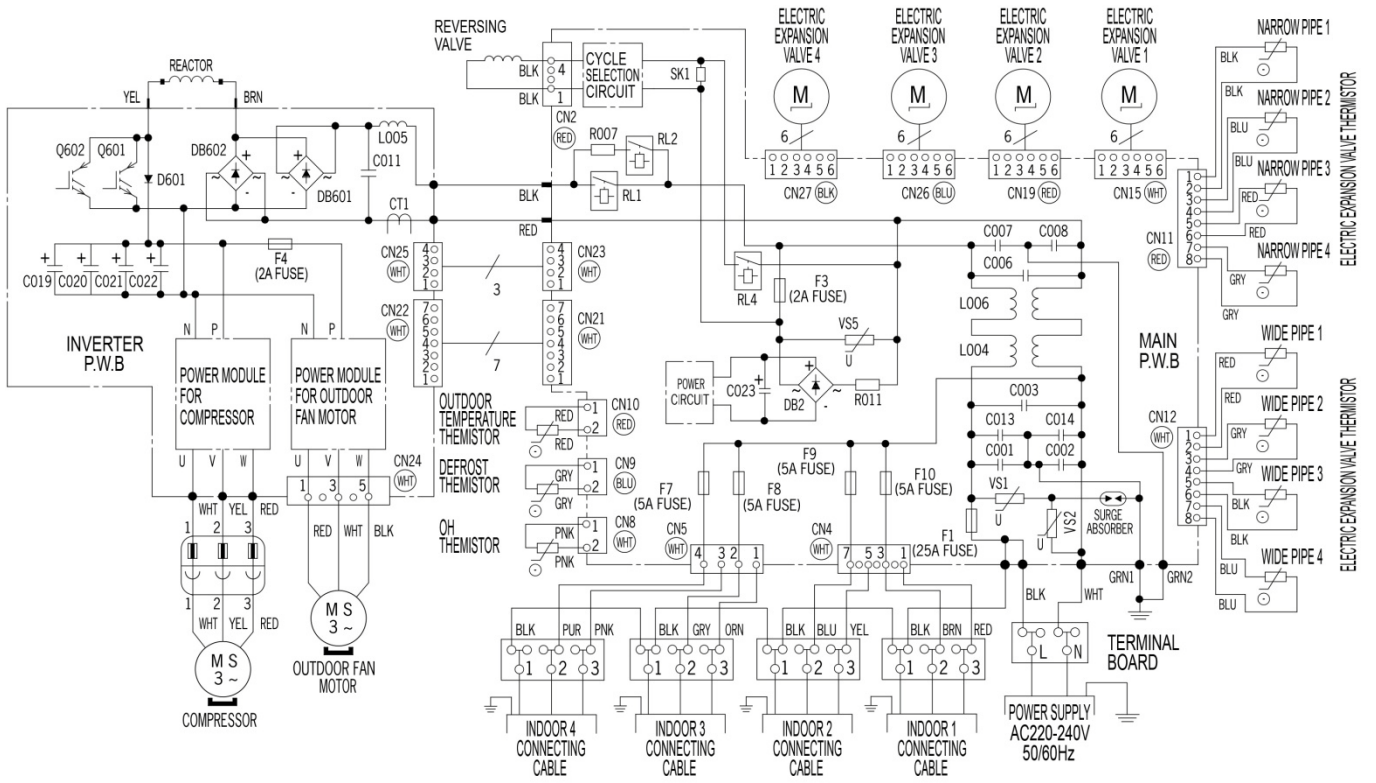


7.1.7. RAM-53NP3B, RAM-68NP3B

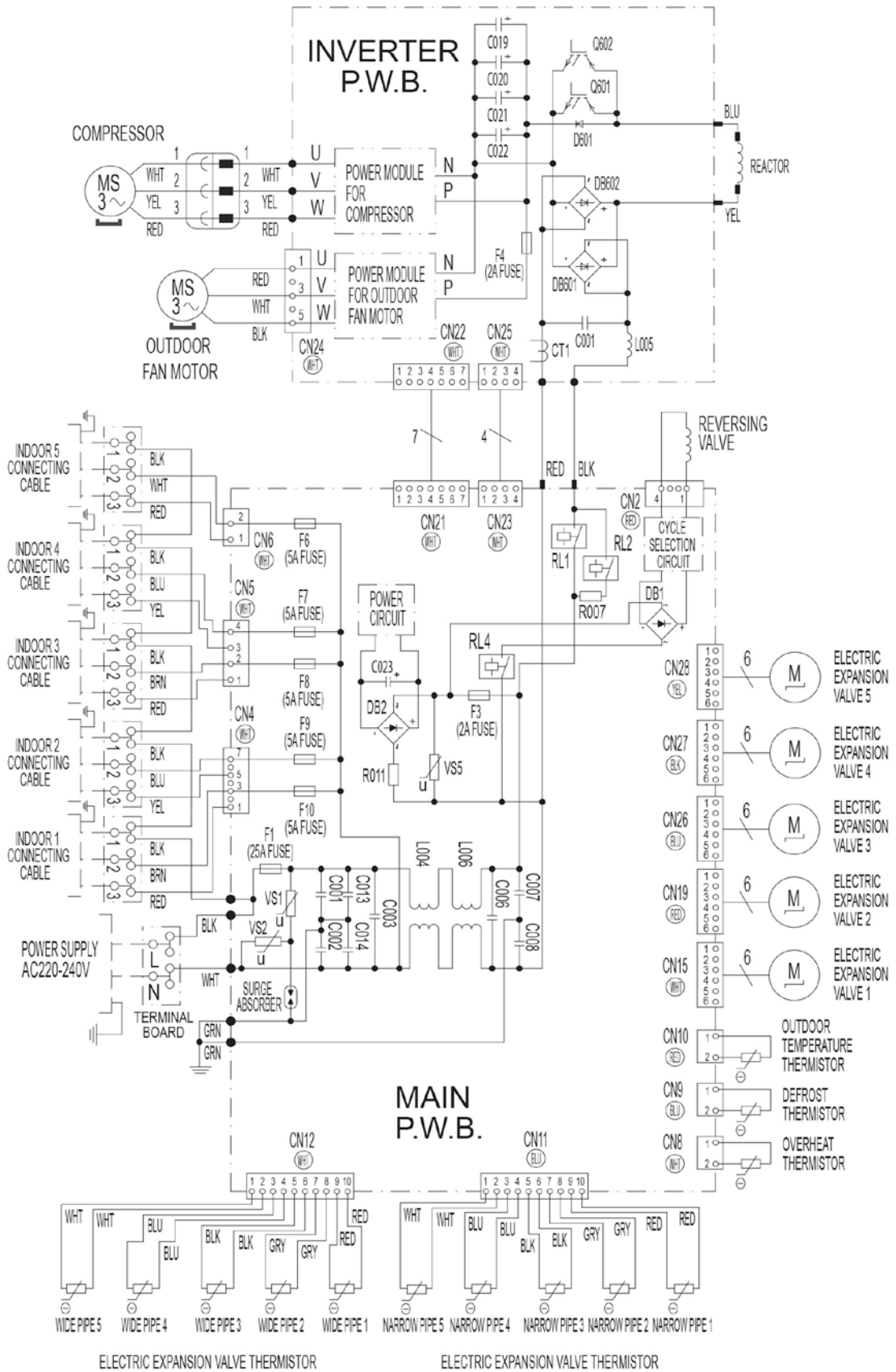




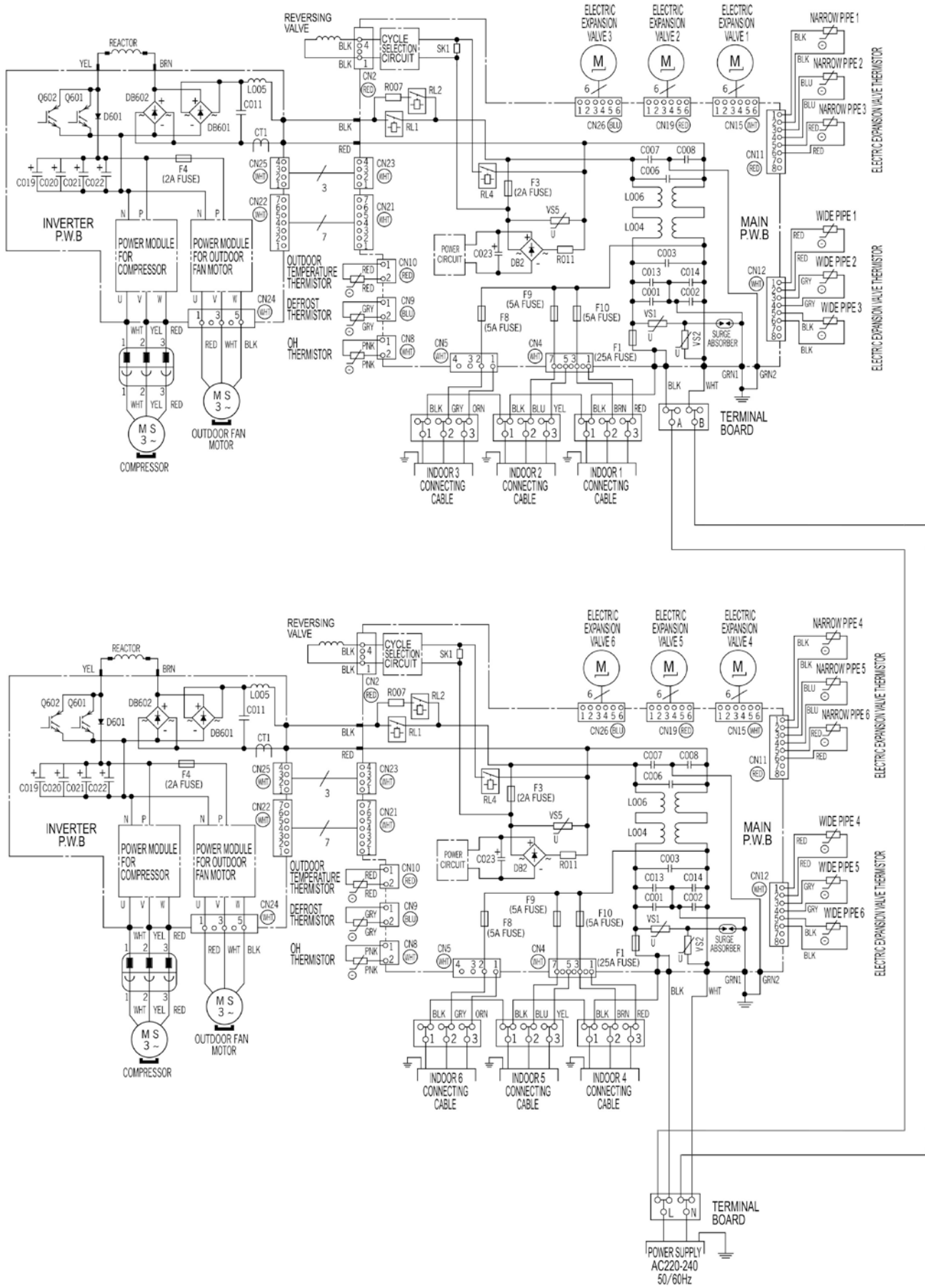
7.1.8. RAM-70NP4B



7.1.9. RAM-90NP5B



7.1.10. RAM-110NP6B



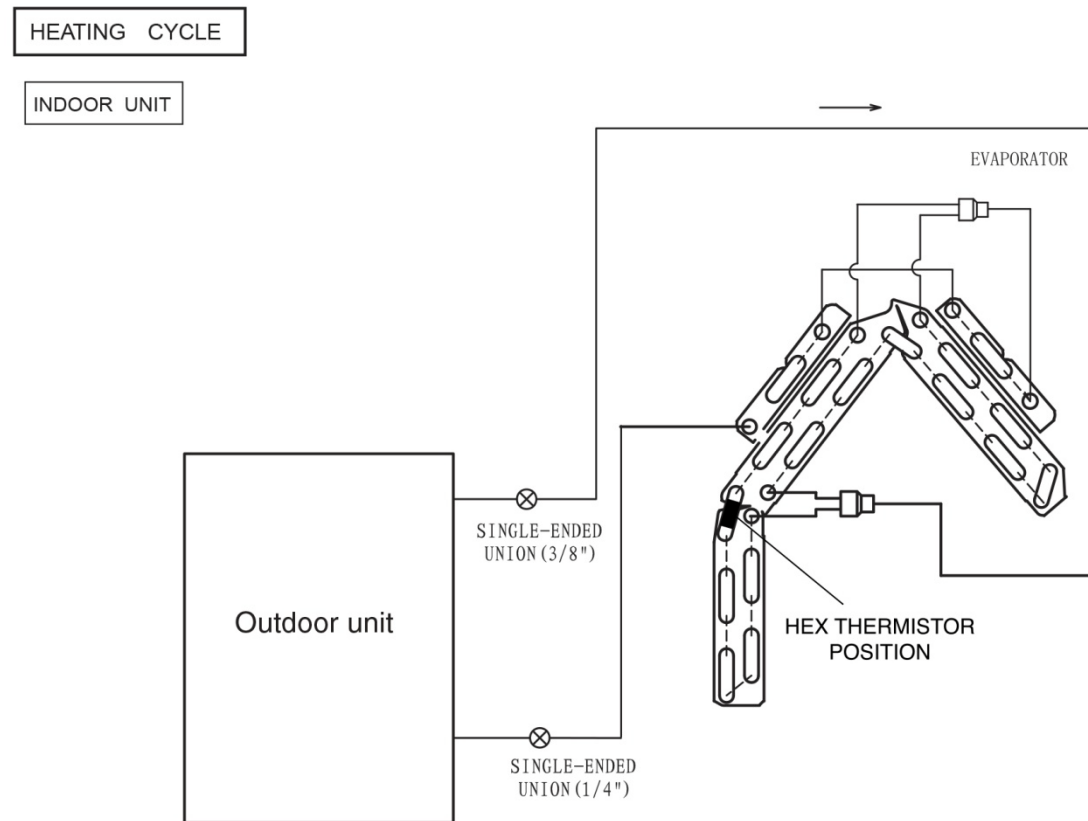
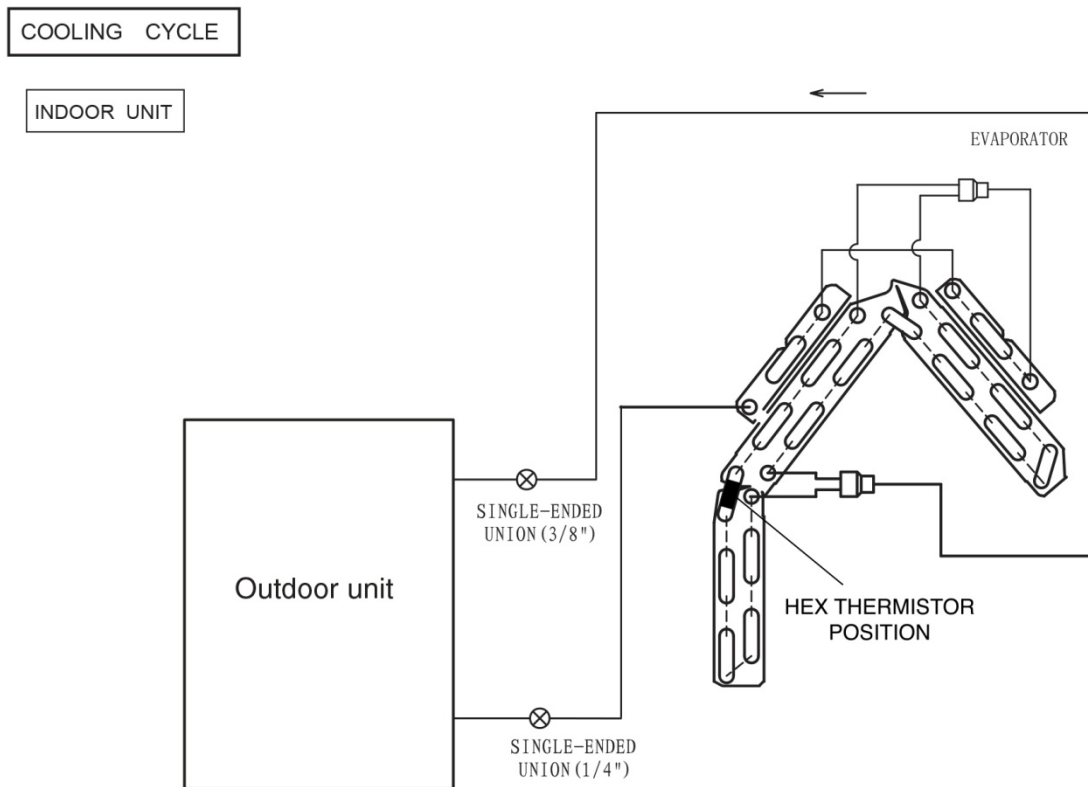
## 8 REFRIGERANT CYCLE

### CONTENT

8	REFRIGERANT CYCLE	8-1
8.1.	MULTIZONE INDOOR UNITS	8-2
8.1.1.	WALL TYPE: RAK-18QXB, RAK-25RXB, RAK-35RXB	8-2
8.1.2.	WALL TYPE: RAK-50RXB	8-3
8.1.3.	WALL TYPE: RAK-15QPB, RAK-18RPB, RAK-25RPB	8-4
8.1.4.	WALL TYPE: RAK-35RPB, RAK-50RPB	8-5
8.1.5.	FLOOR TYPE: RAF-25RXB, RAF-35RXB	8-6
8.1.6.	FLOOR TYPE: RAF-50RXB	8-7
8.1.7.	CEILING CASSETTE: RAI-25QPB/35QPB/50QPB	8-8
8.1.8.	DUCT TYPE: RAD-18QPB/25QPB/35QPB	8-9
8.1.9.	DUCT TYPE: RAD-50QPB	8-9
8.2.	MULTIZONE OUTDOOR UNITS	8-10
8.2.1.	2 ROOMS MULTIZONE: RAM-33NP2B	8-10
8.2.2.	2 ROOMS MULTIZONE: RAM-40NP2B	8-11
8.2.3.	2 ROOMS MULTIZONE: RAM-53NP2B	8-12
8.2.4.	3 ROOMS MULTIZONE: RAM-53NP3B	8-13
8.2.5.	3 ROOMS MULTIZONE: RAM-68NP3B	8-14
8.2.6.	4 ROOMS MULTIZONE: RAM-70NP4B	8-15
8.2.7.	5 ROOMS MULTIZONE: RAM-90NP5B	8-16
8.2.8.	6 ROOMS MULTIZONE: RAM-110NP6B	8-17

### 8.1. MULTIZONE INDOOR UNITS

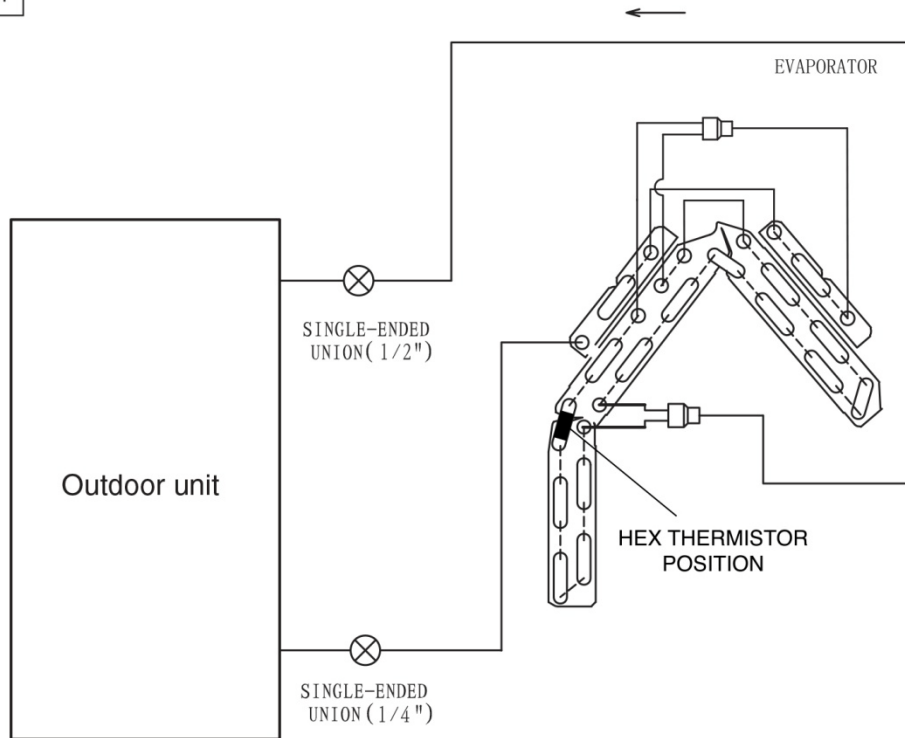
#### 8.1.1. WALL TYPE: RAK-18QXB, RAK-25RXB, RAK-35RXB



8.1.2. WALL TYPE: RAK-50RXB

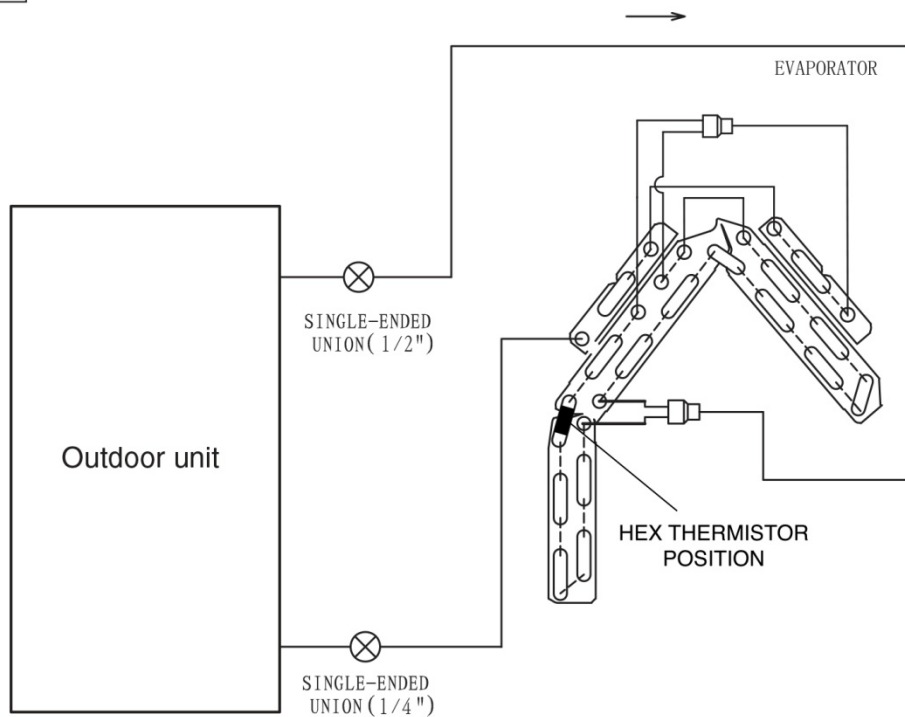
COOLING CYCLE

INDOOR UNIT



HEATING CYCLE

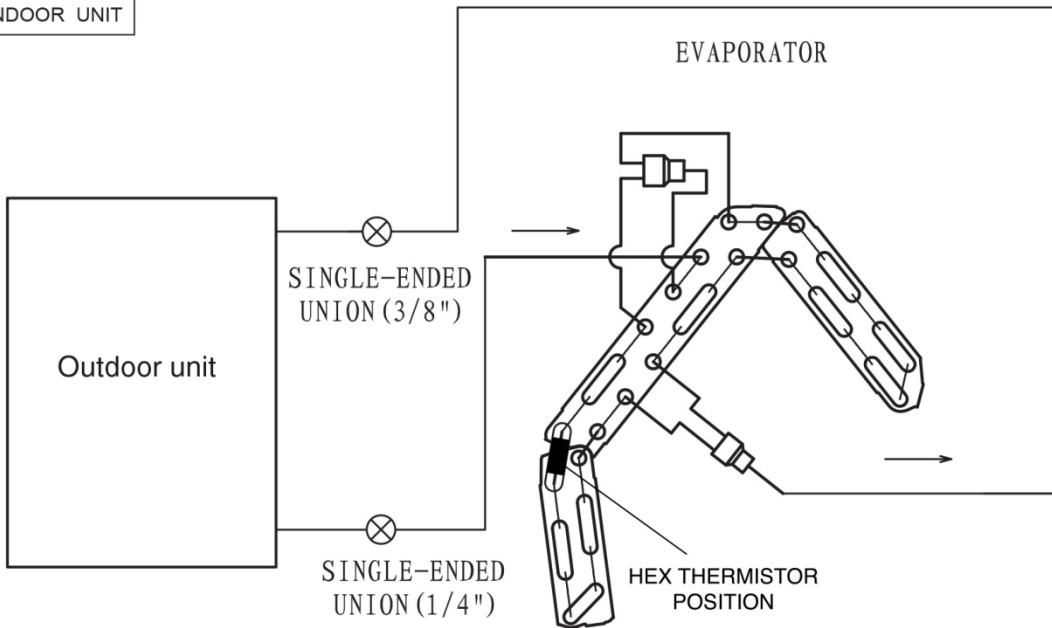
INDOOR UNIT



8.1.3. WALL TYPE: RAK-15QPB, RAK-18RPB, RAK-25RPB

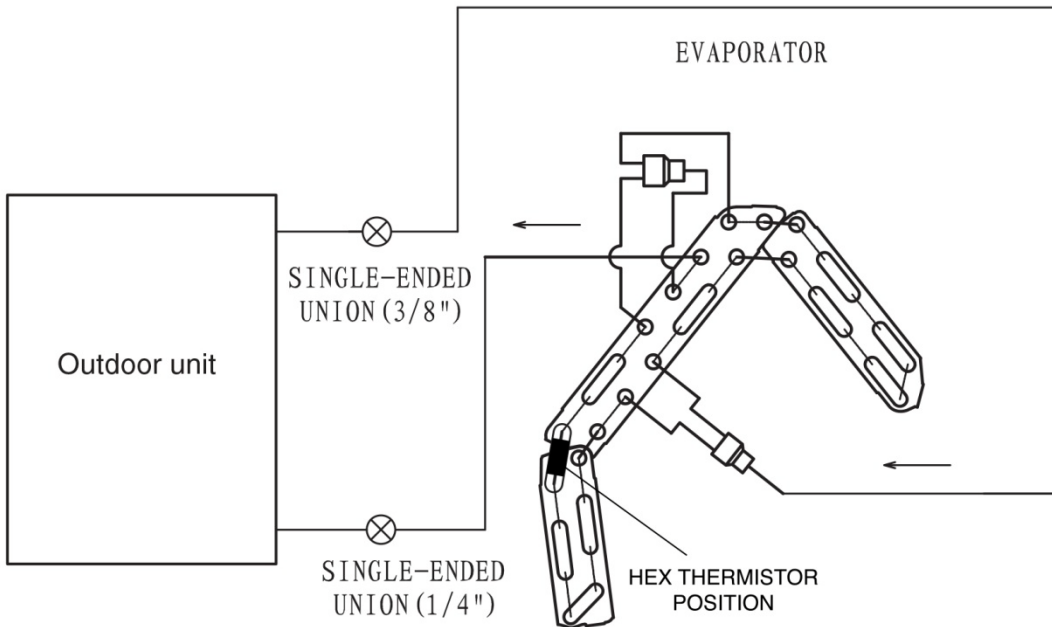
COOLING CYCLE

INDOOR UNIT



HEATING CYCLE

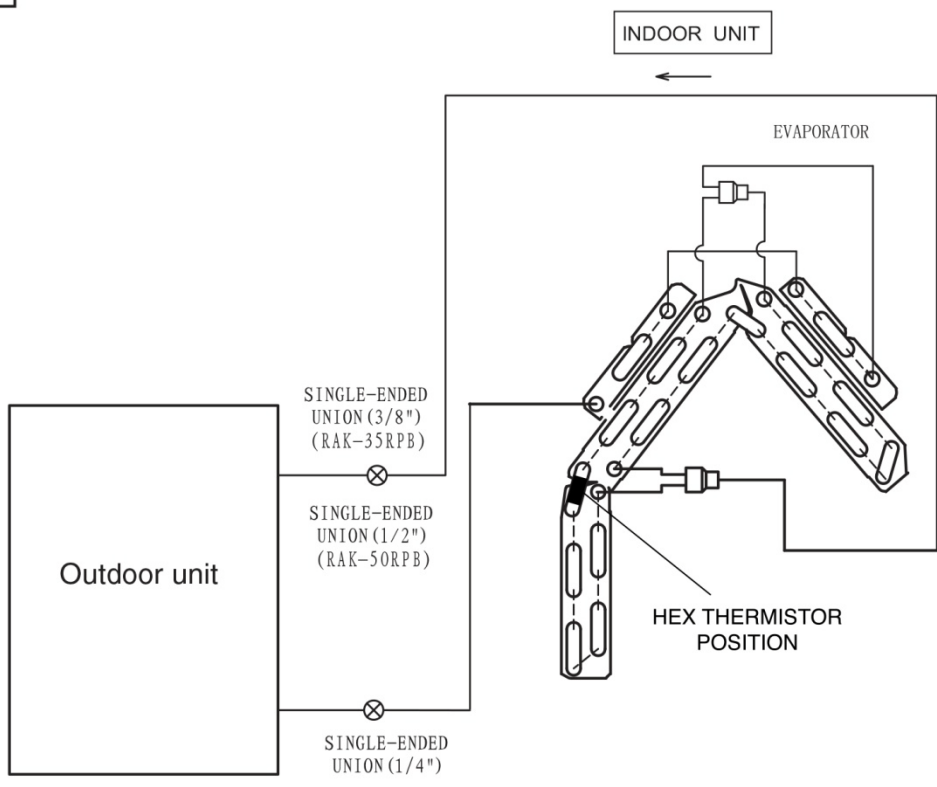
INDOOR UNIT



8.1.4. WALL TYPE: RAK-35RPB, RAK-50RPB

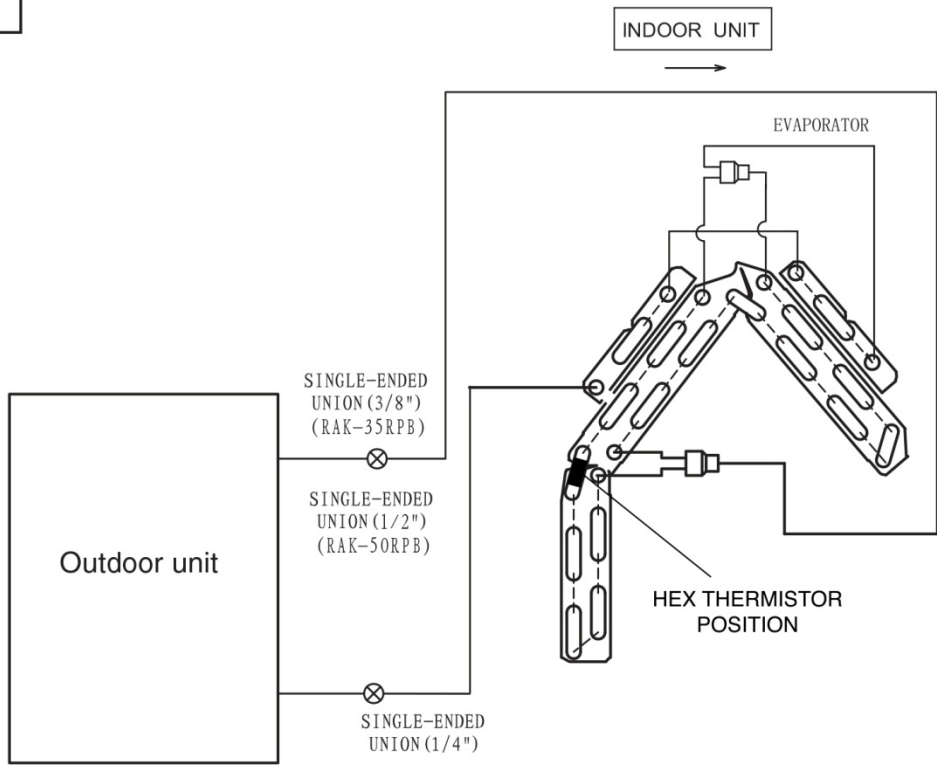
COOLING CYCLE

OUTDOOR UNIT



HEATING CYCLE

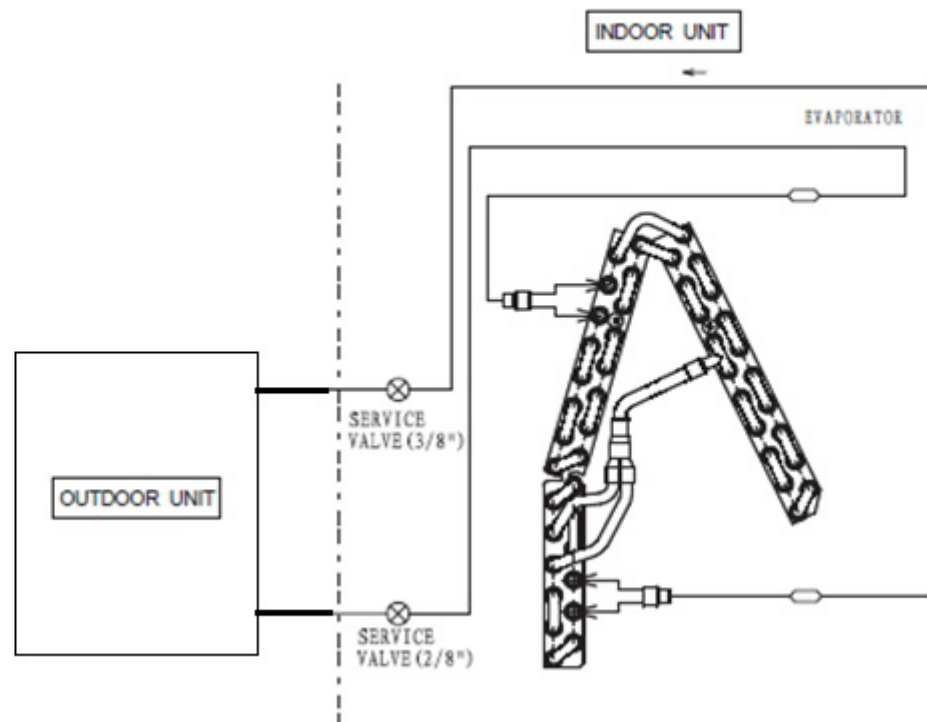
OUTDOOR UNIT



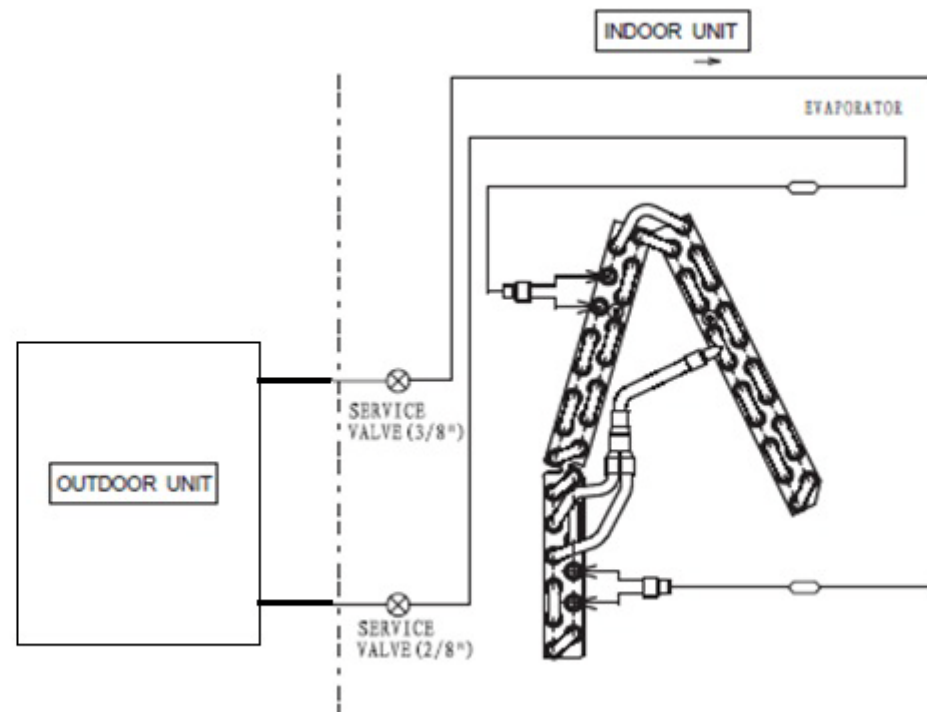


## 8.1.5. FLOOR TYPE: RAF-25RXB, RAF-35RXB

## COOLING CYCLE

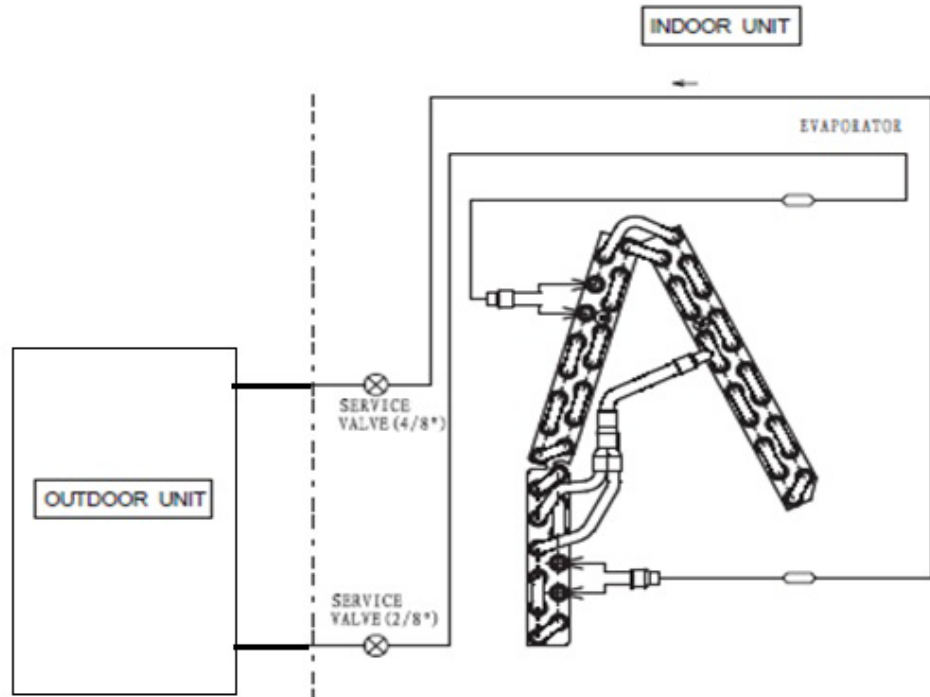


## HEATING CYCLE

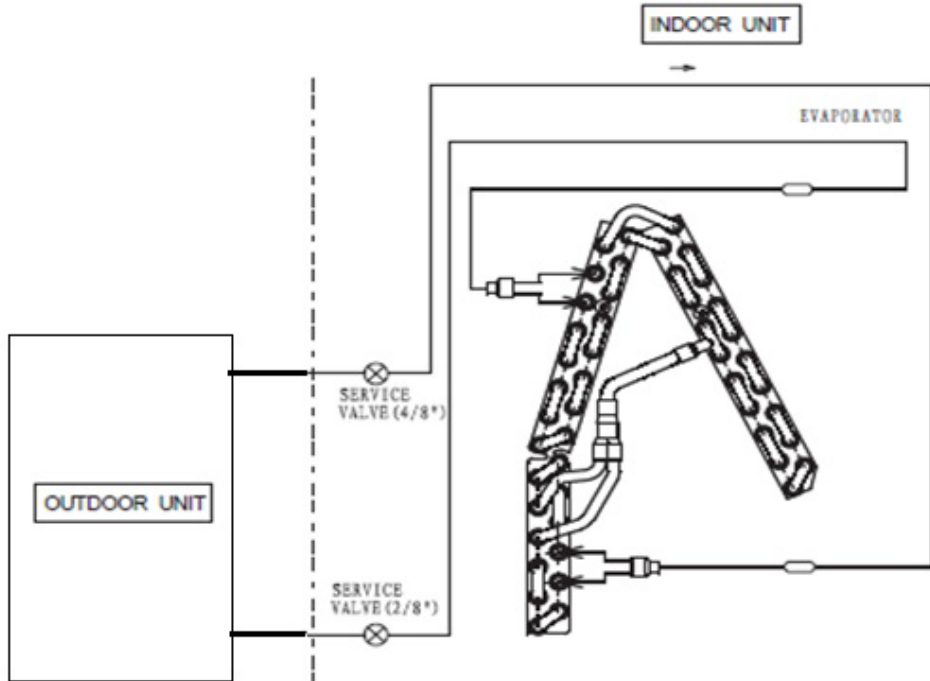


## 8.1.6. FLOOR TYPE: RAF-50RXB

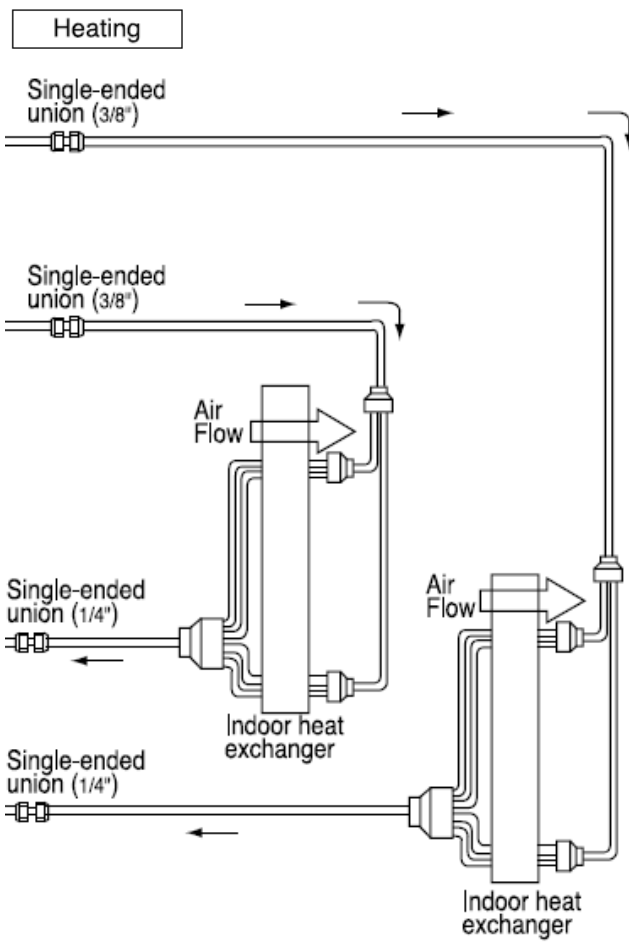
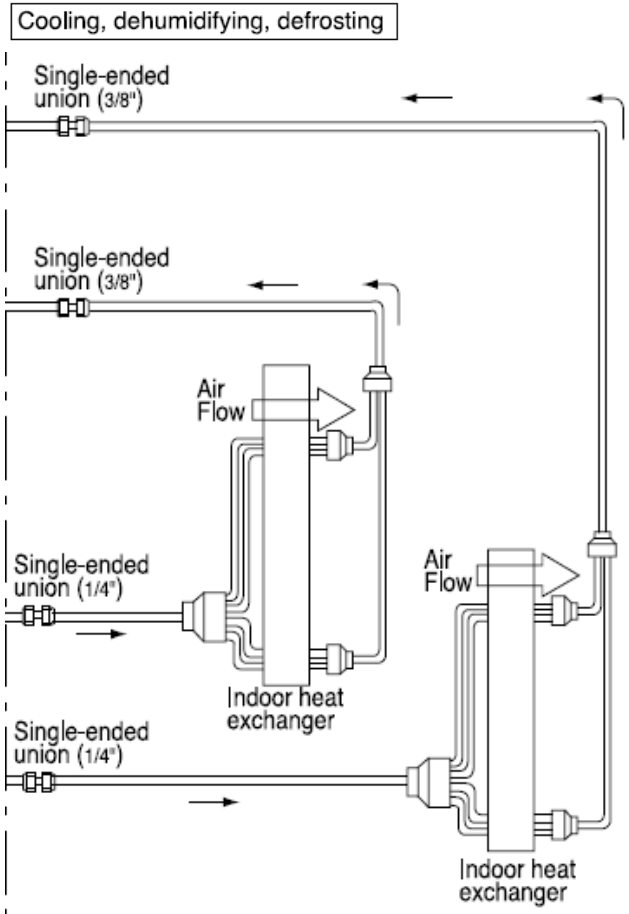
COOLING CYCLE



HEATING CYCLE



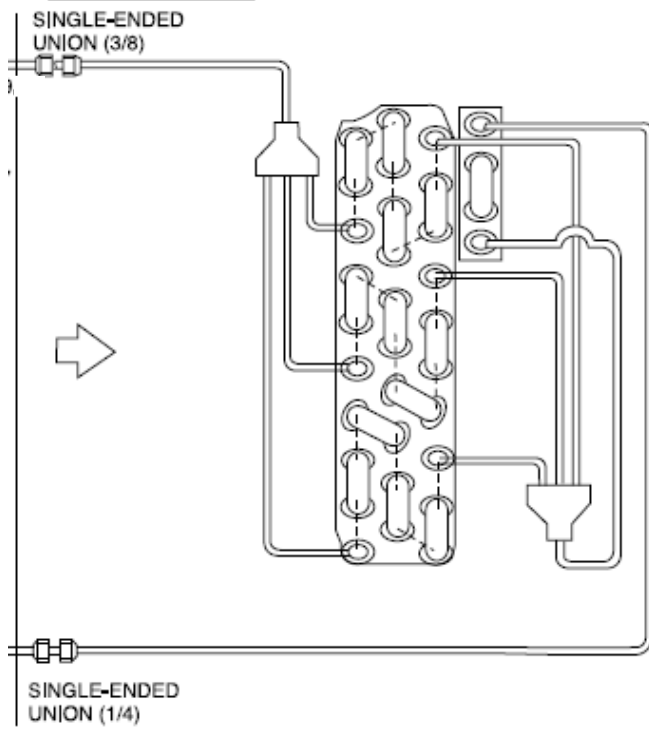
8.1.7. CEILING CASSETTE: RAI-25QPB/35QPB/50QPB



## 8.1.8. DUCT TYPE: RAD-18QPB/25QPB/35QPB

COOLING, DEHUMIDIFYING, DEFROSTING

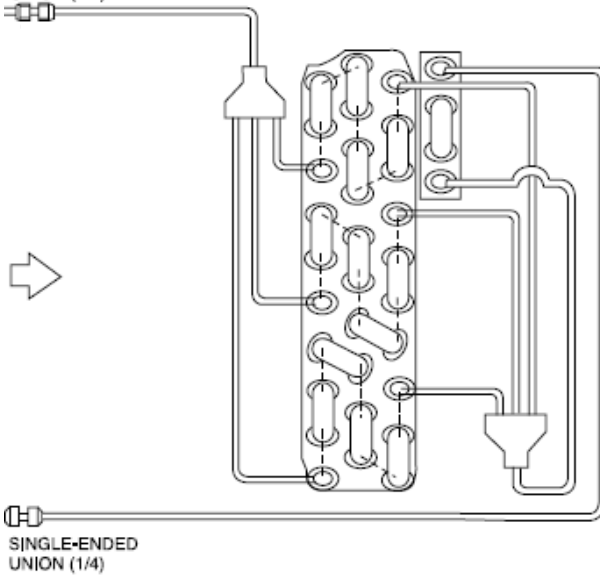
HEATING



## 8.1.9. DUCT TYPE: RAD-50QPB

COOLING, DEHUMIDIFYING, DEFROSTING

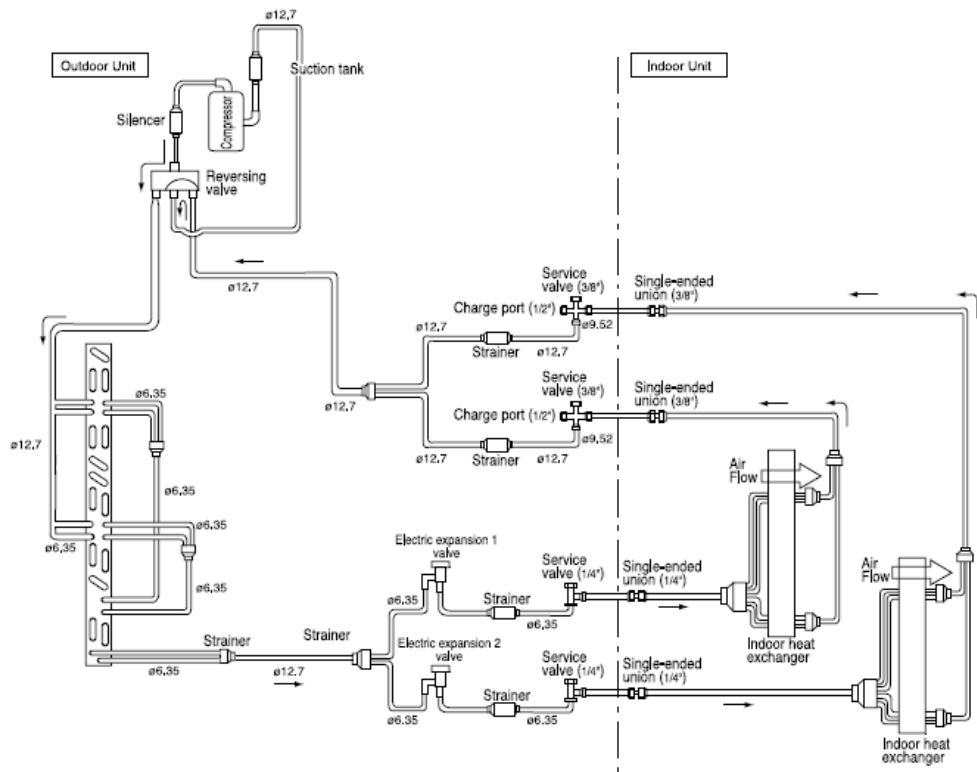
HEATING

SINGLE-ENDED  
UNION (1/2)

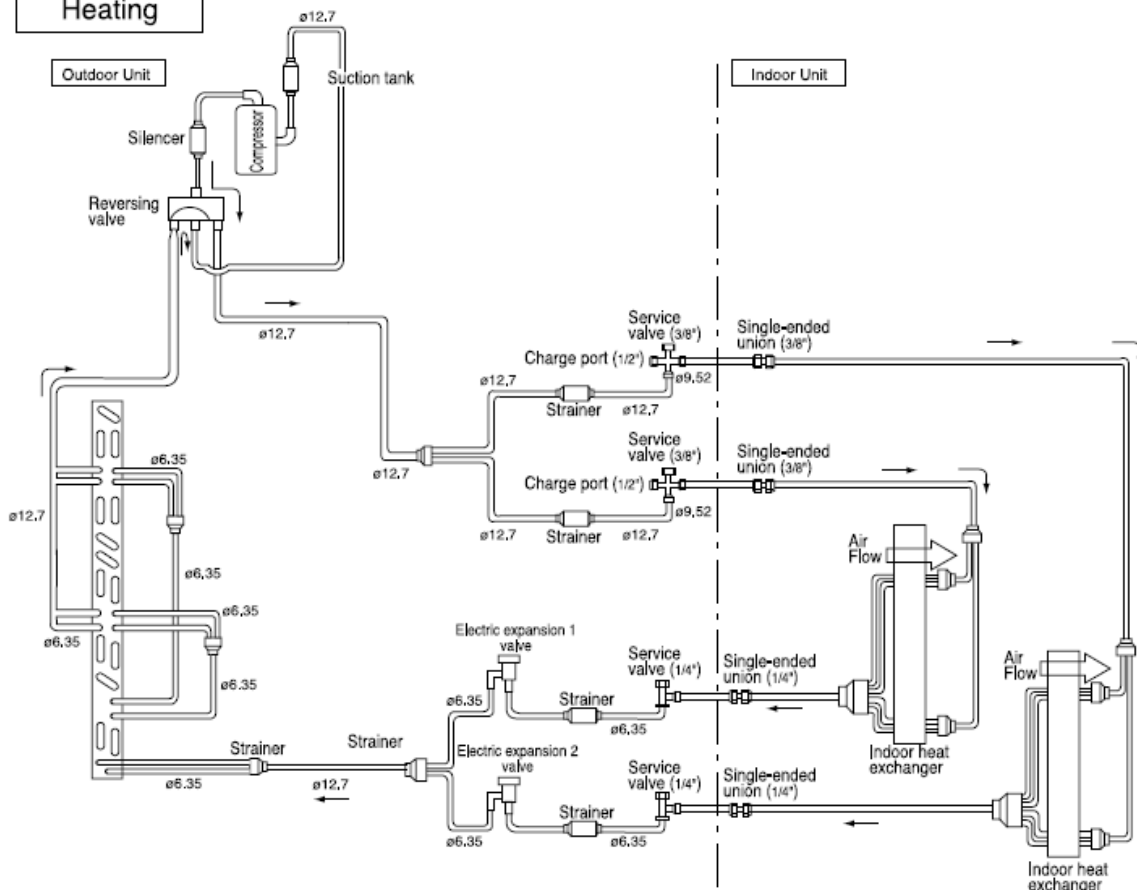
## 8.2. MULTIZONE OUTDOOR UNITS

### 8.2.1. 2 ROOMS MULTIZONE: RAM-33NP2B

Cooling, dehumidifying, defrosting

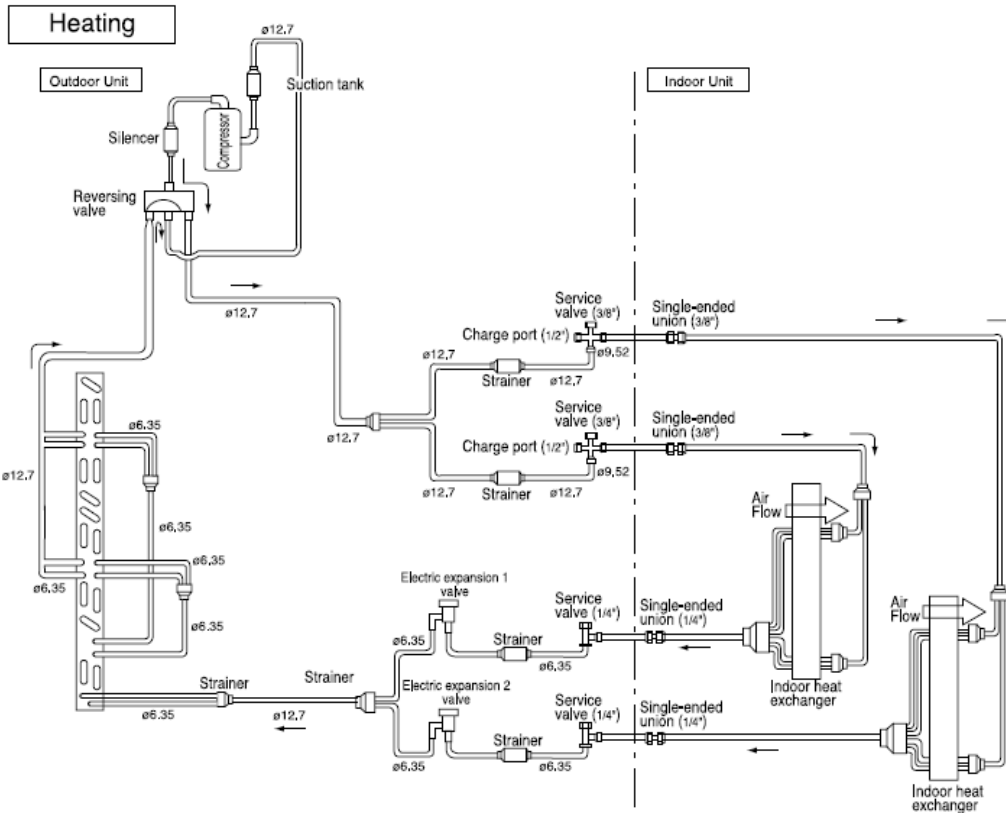
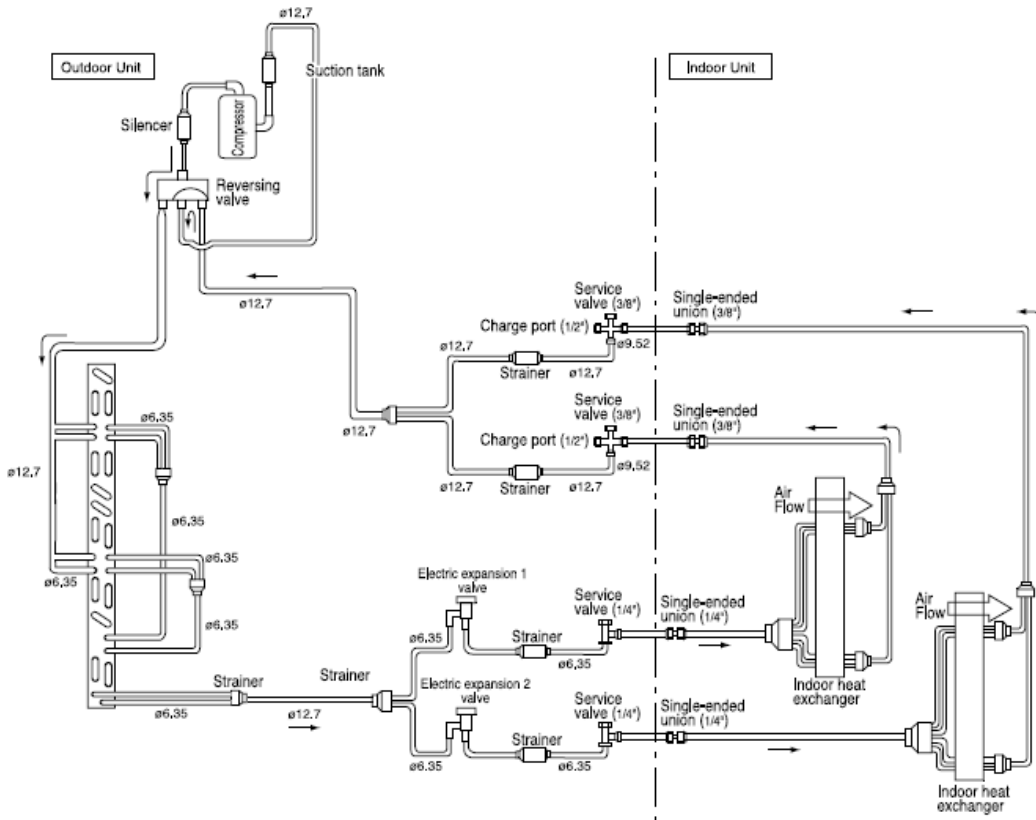


Heating



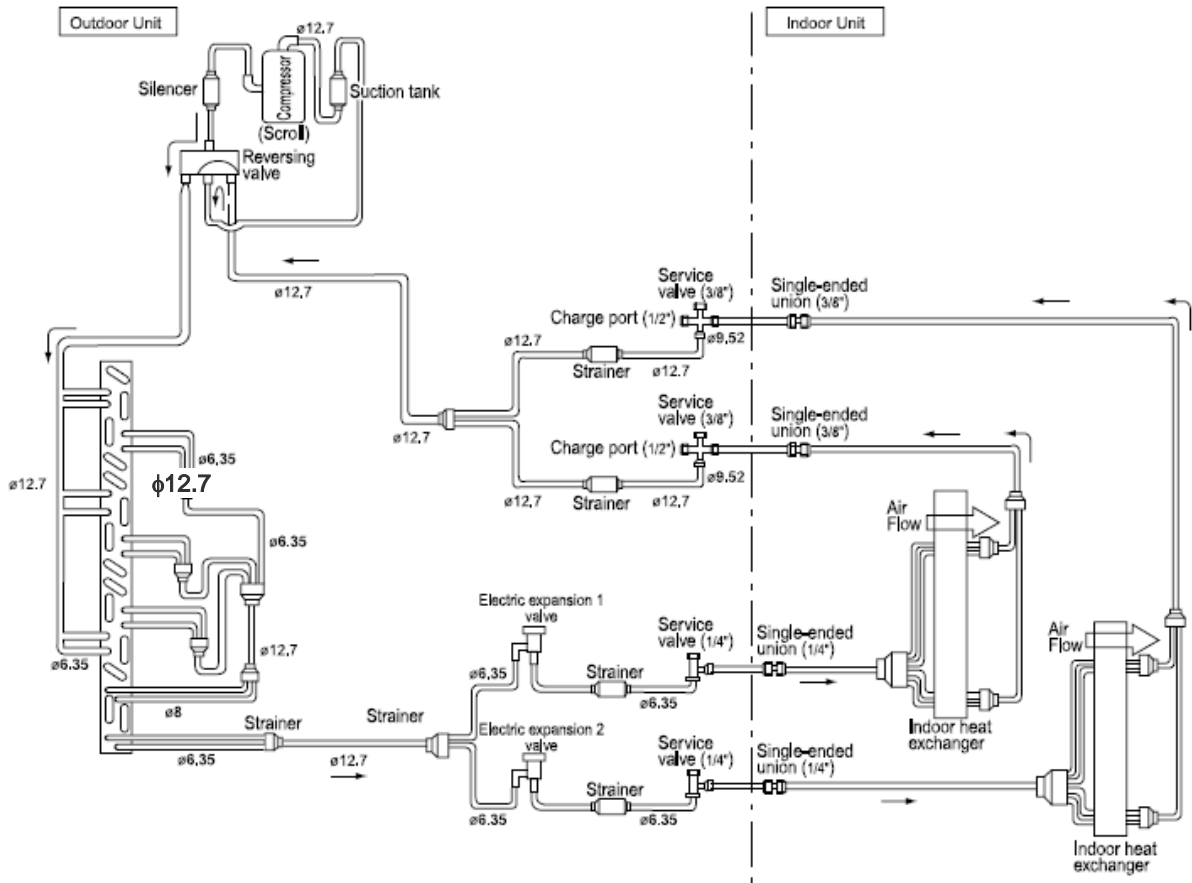
8.2.2. 2 ROOMS MULTIZONE: RAM-40NP2B

Cooling, dehumidifying, defrosting

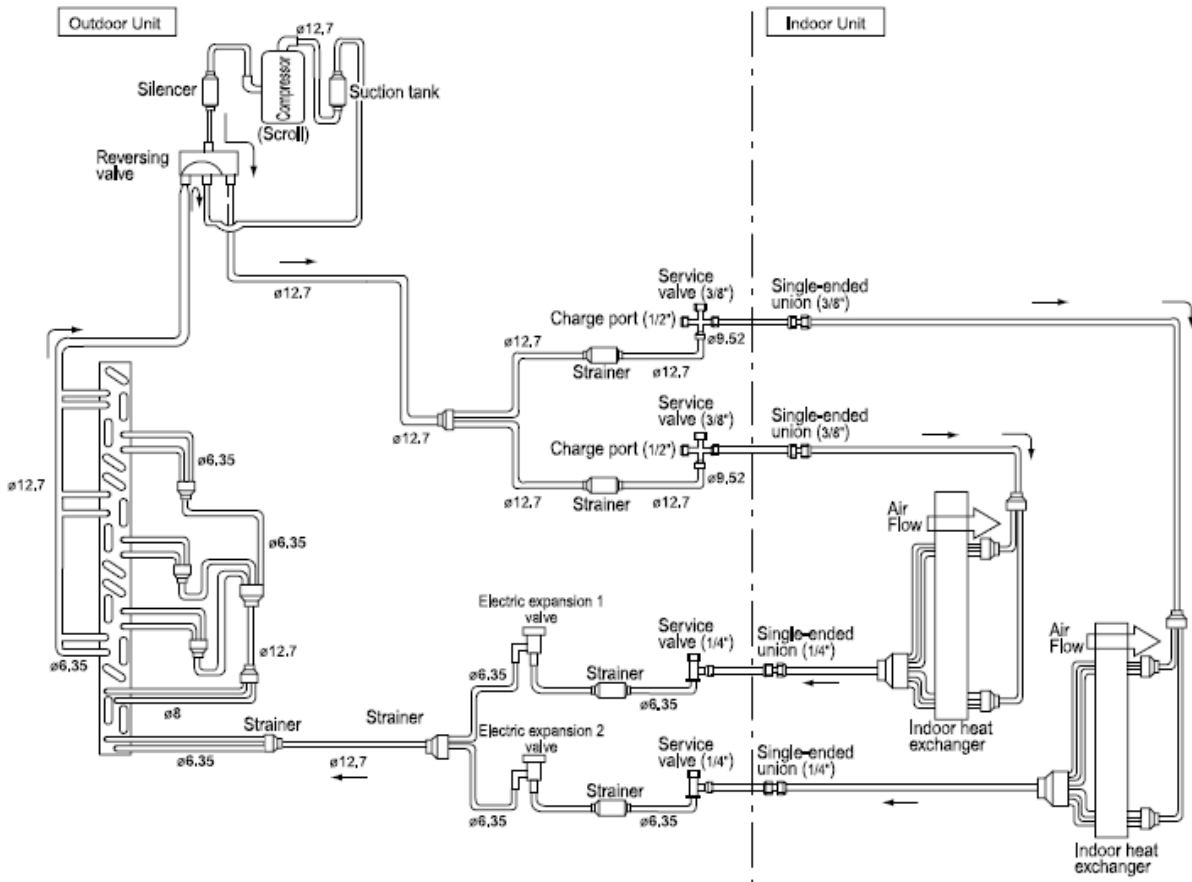


8.2.3. 2 ROOMS MULTIZONE: RAM-53NP2B

Cooling, dehumidifying, defrosting

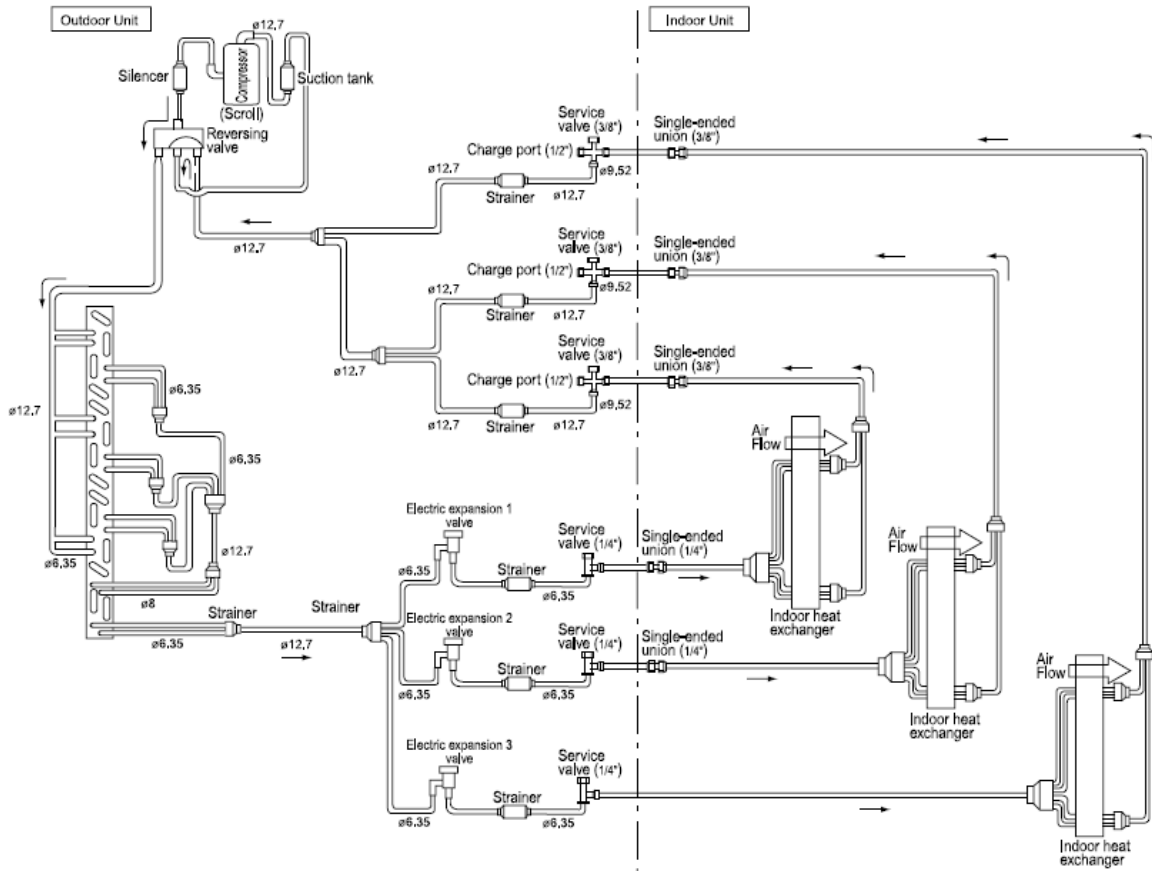


Heating

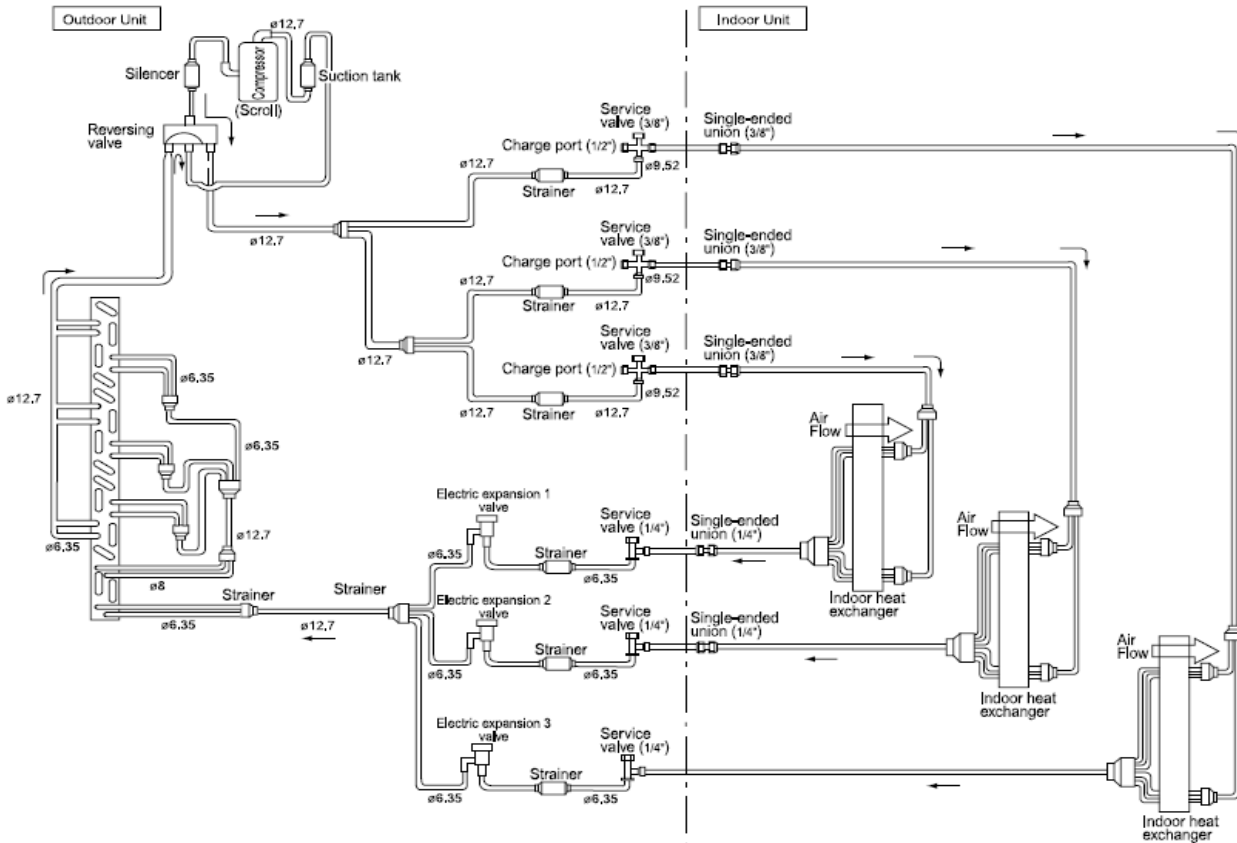


8.2.4. 3 ROOMS MULTIZONE: RAM-53NP3B

Cooling, dehumidifying, defrosting

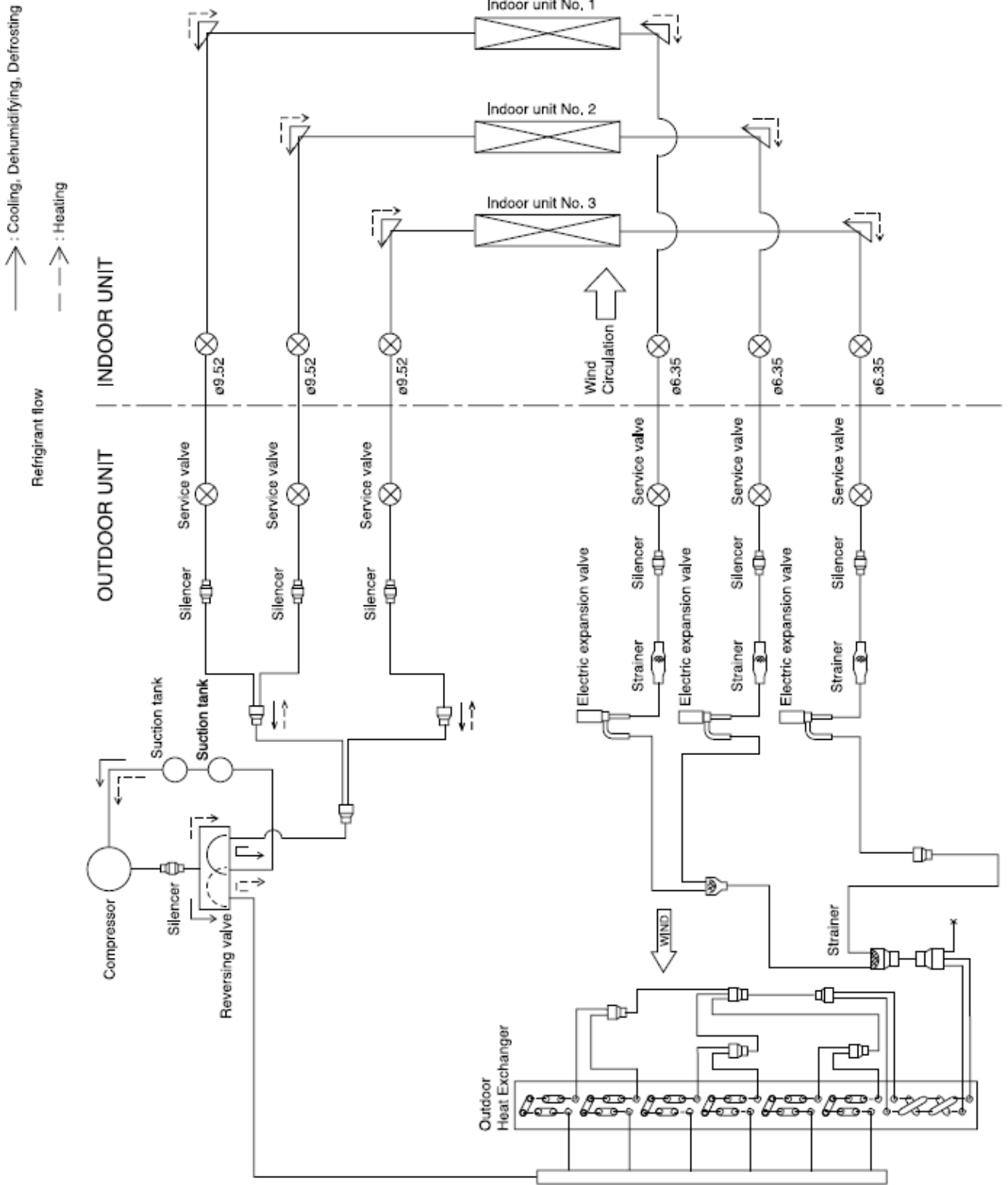


Heating

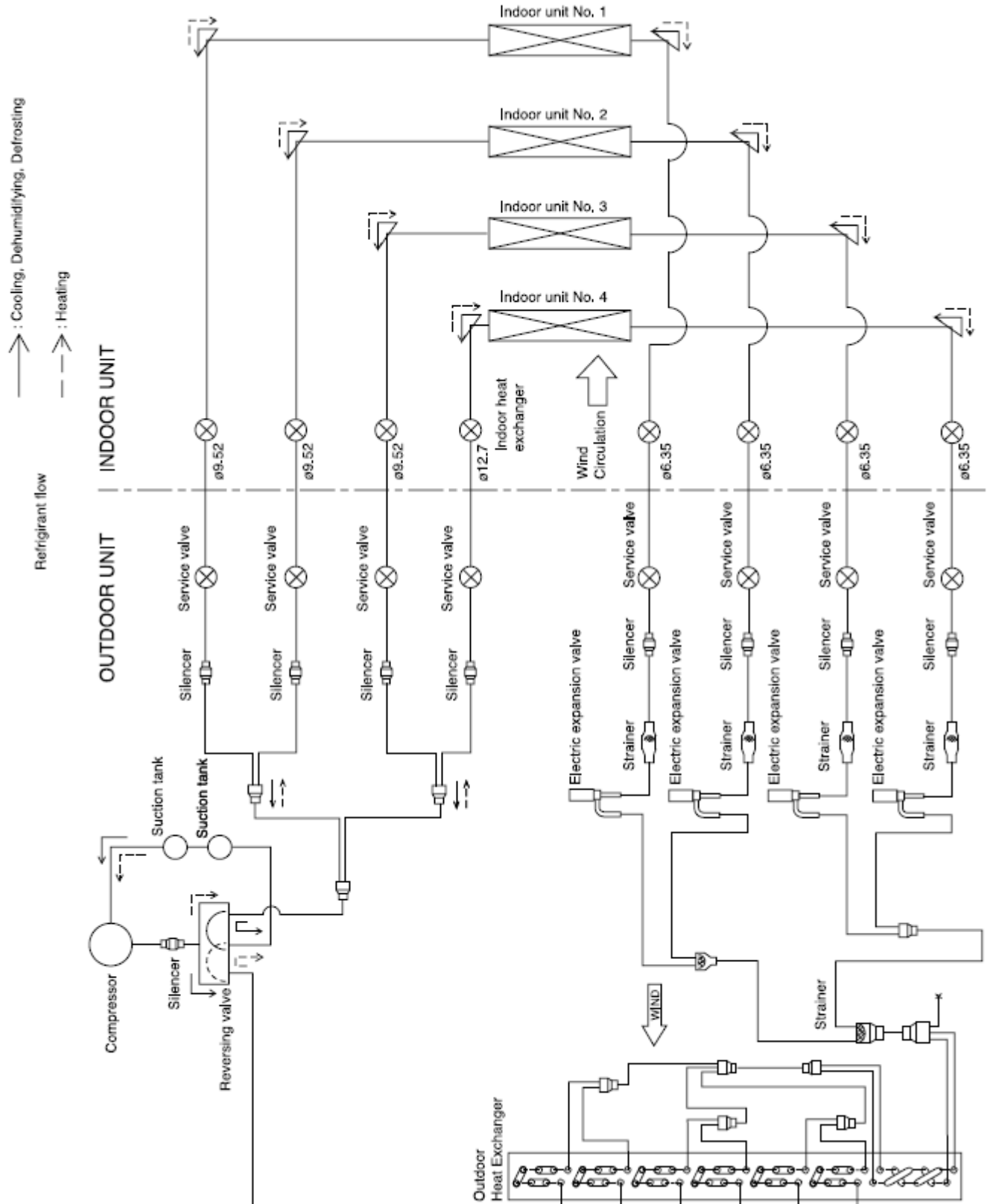




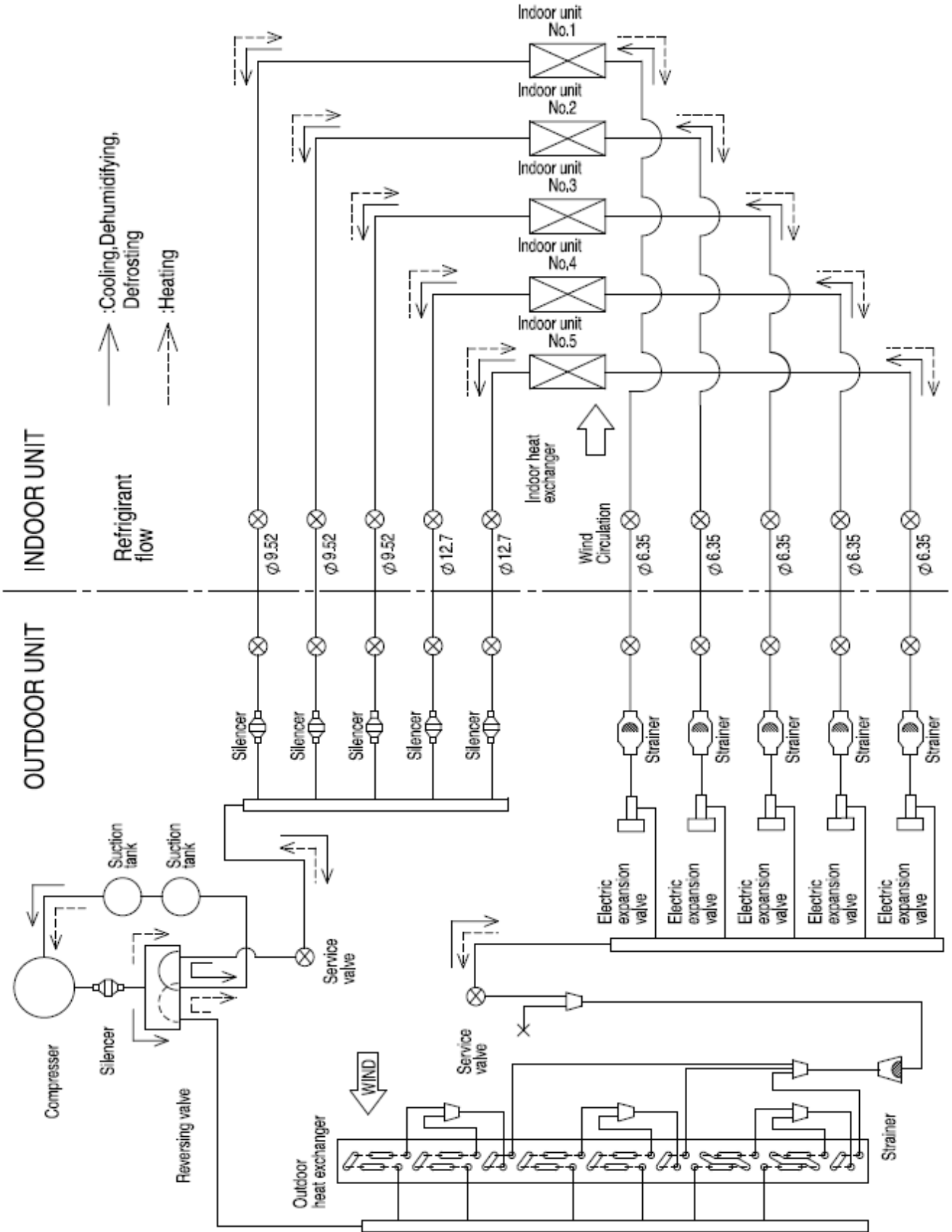
8.2.5. 3 ROOMS MULTIZONE: RAM-68NP3B



8.2.6. 4 ROOMS MULTIZONE: RAM-70NP4B

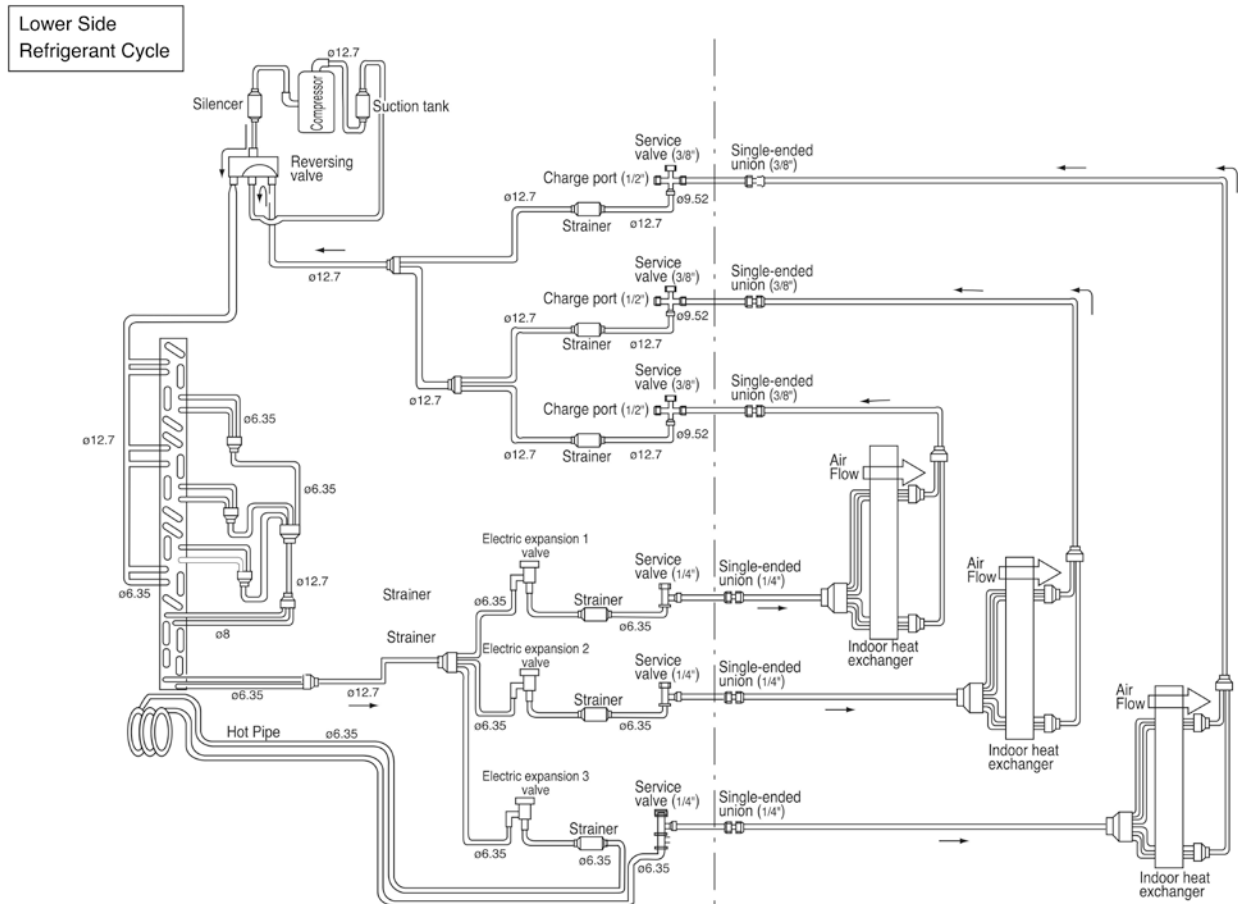
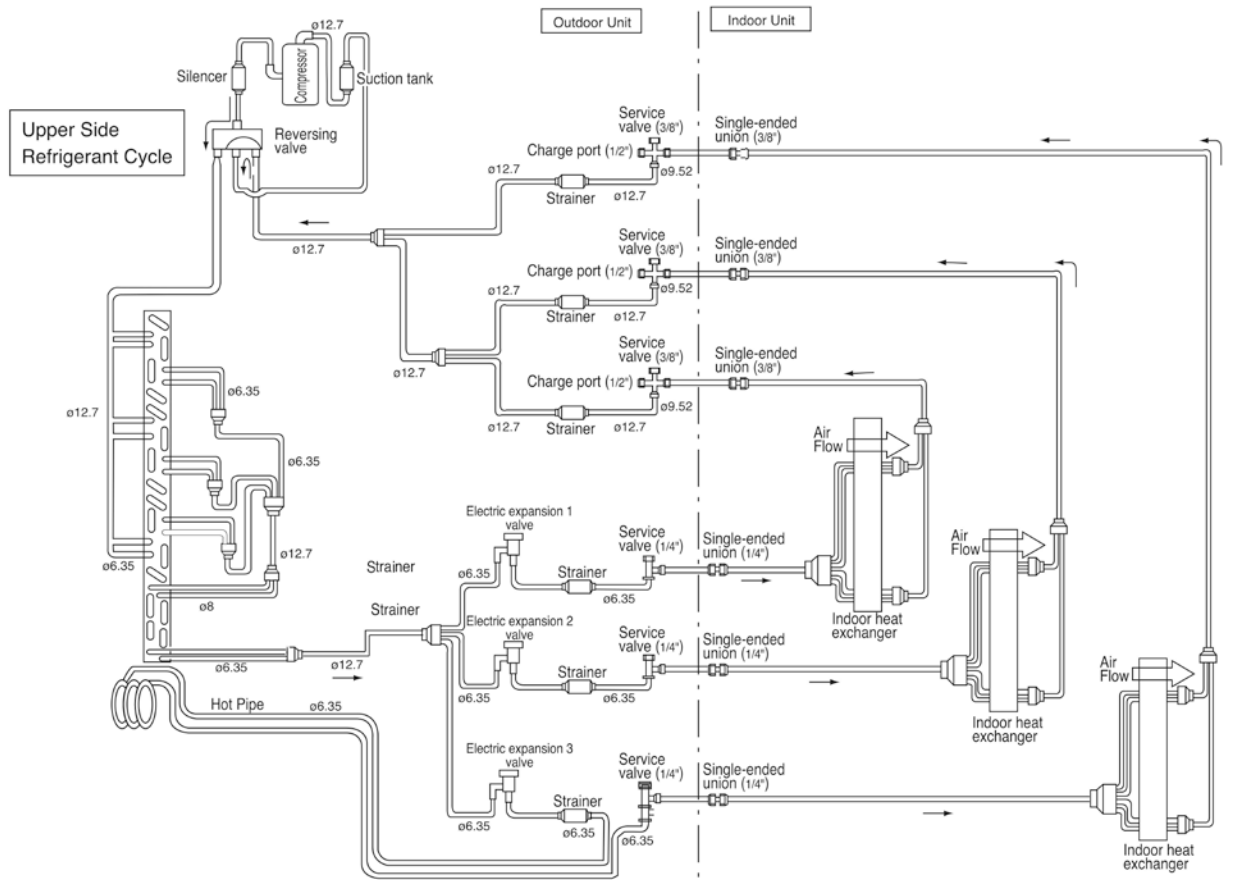


8.2.7. 5 ROOMS MULTIZONE: RAM-90NP5B

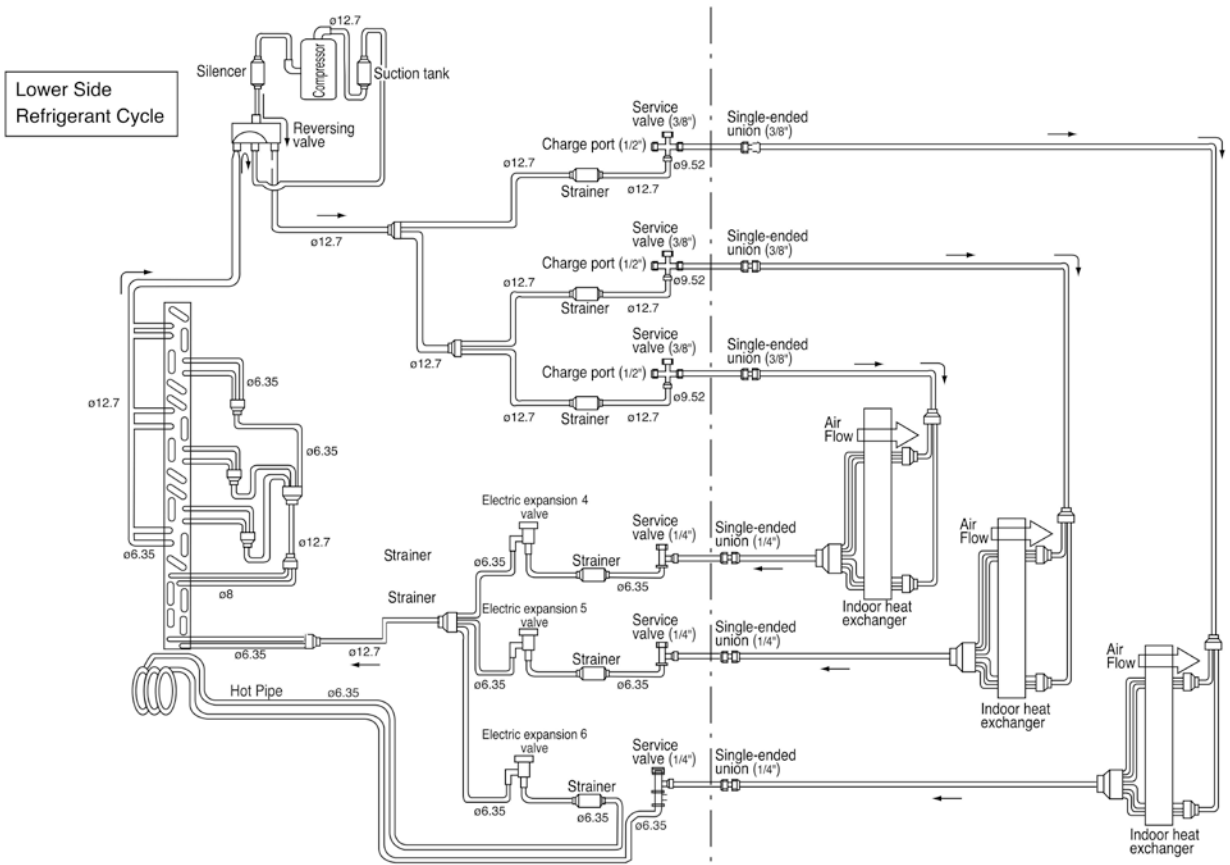
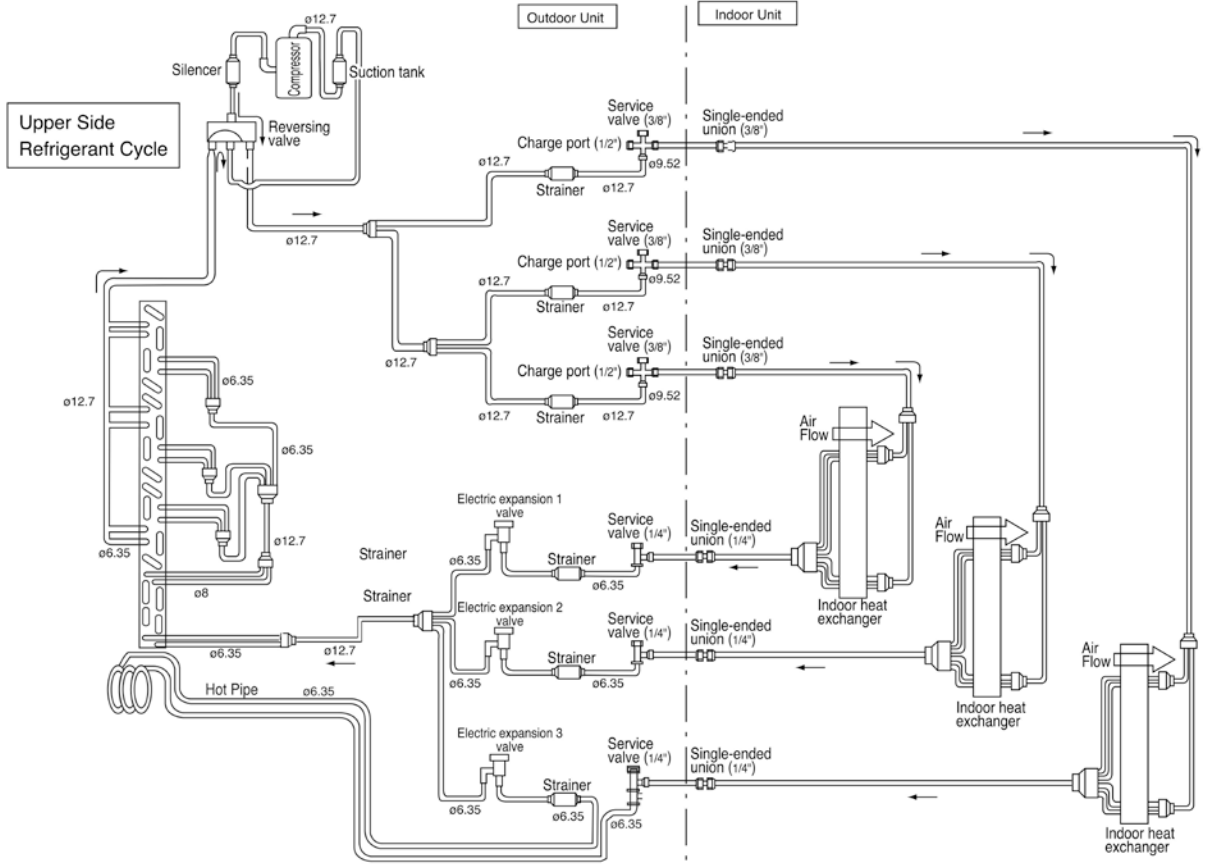


8.2.8. 6 ROOMS MULTIZONE: RAM-110NP6B

Cooling, Dehumidifying, Defrosting



Heating



## 9 CONTROL AND FUNCTION




### CONTENTS

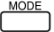







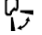
9	CONTROL AND FUNCTION	9-1
9.1	WIRELESS REMOTE CONTROL FUNCTION	9-2
	9.1.1. RAR-6N1, RAR-6N2, RAR-6N4	9-2
9.2	SHIFT VALUE	9-3
9.3	OPERATION LOCK	9-5
9.4	SETTING THE PREVENTION OF MUTUAL INTERFERENCE	9-6
9.5	INTERMITTENT FAN SPEED SETTING	9-6
9.6	FAN SPEED SETTING IN THERMO OFF IN COOLING	9-7
9.7	ERROR CODE INFORMATION	9-8
9.8	ADDITIONAL FUNCTION VIA DIP-SWITCH SETTINGS	9-10
	9.8.1 AUTO RESTART FUNCTION	9-10
	9.8.2 HEATING/COOLING ONLY MODE SELECTION	9-10







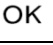


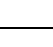
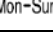
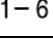


## 9.1 WIRELESS REMOTE CONTROL FUNCTION

### 9.1.1. RAR-6N1, RAR-6N2, RAR-6N4

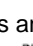
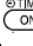

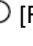

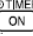
#### REMOTE CONTROLLER TYPE

RAR-6N1	RAR-6N2	RAR-6N4
		
RAK-18QXB RAK-25RXB RAK-35RXB RAK-50RXB RAK-35RPB RAK-50RPB	RAK-15QPB RAK-18RPB RAK-25RPB  RAI-25QPB RAI-35QPB RAI-50QPB	RAF-25RXB RAF-35RXB RAF-50RXB

BUTTONS	FUNCTION
	<b>MODE Selector</b> Use this button to select the operating mode. Every time you press this button, the mode will change from (AUTO) → (HEAT) → (DEHUMIDIFY) → (COOL) and → (FAN) cyclically.
	<b>FAN SPEED Selector Button</b> This determines the fan speed. Every time you press this button, the airflow rate will change from (AUTO) → (HIGH) → (MED) → (LOW) → (SILENT) (This button allows selection of optimal or preferred fan speed for each operation mode).
	<b>START/STOP button</b> Press this button to start operation. Press it again to stop operation.
	<b>ECO button</b> Use this button to set the ECO mode.
	<b>POWERFUL button</b> Use this button to set the POWERFUL mode.
	<b>SILENT button</b> Use this button to set the SILENT mode.
	<b>INFO button</b> 1) Press this button to display temperature for 10 seconds. 2) Press this button to check monthly power consumption. 3) Press this button to receive the current calendar and clock.
	<b>ECO SLEEP TIMER button</b> Use this button to set the ECO sleep timer.
	<b>AUTO SWING (Vertical) button</b> Controls the angle of the horizontal air deflector.

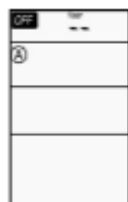
	<b>AUTO SWING (Horizontal) button</b> Controls the angle of the vertical air deflector.
	<b>LEAVE HOME button</b> Prevent the room temperature from falling too much by setting temperature 10°C~16°C when no one is at home.
	<b>ONE TOUCH CLEAN button</b> Drying indoor heat exchanger after cooling operation to prevent mildew.
	<b>EXTENDED AIR FLOW button</b> Press this button during operation to start extended airflow operation.
<b>WEEKLY TIMER buttons</b>	
	<b>ON/OFF TIMER button</b> The device will turn on (off) and off (on) at the designated time.
	<b>TIME button</b> Press the button to set starting time of the program
	<b>OK button</b> Press the button to save the program. The button shall be pressed everytime after finishing a program setting.
	<b>DELETE button</b> 1) Press the button to delete the selected program. 2) Press the button for about 10 seconds by directing the remote controller towards the indoor unit while Mode A or B display blinks, programs for Mode A or B will be deleted both from the indoor unit and the remote controller after the beep sound from the indoor unit.
	<b>DAY button</b> Select the desired day of the week.
	<b>PROGRAM NO. button</b> Press this button to select a program number.
	<b>CANCEL</b> 1) Press the button to cancel the current setting process on the screen. 2) Press the button by directing the remote controller towards the indoor unit, then weekly timer setting will be canceled from indoor unit after the beep sound from the indoor unit. The program setting remains in the remote controller.
	<b>SEND button</b> Press the button for about 3 seconds by directing the remote controller towards the indoor unit after finishing the program setting. Timer lamp on the indoor unit will blink rapidly and after the beep sound from indoor unit, TIMER lamp will light up.
	<b>CLOCK button</b> Press the button to set calendar and clock.
	<b>WEEKLY TIMER MODE button</b> 1) Select Mode A or Mode B. 2 modes can be set and stored as a weekly timer. 2) By pressing the button longer than 3 seconds, program setting screen will appear.

## 9.2 SHIFT VALUE



1. Press and hold  (START/STOP) button and  (ON) button.
2. Press  [RESET] button on the same time. Release  [RESET] button only, then release  (START/STOP) and  (ON) button once Screen 1 appears.

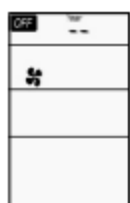


Screen 1



Screen 2

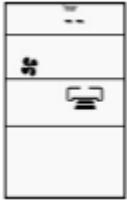
3. Press the  (MODE) button to display  fan mode (Screen 3).



Screen 3



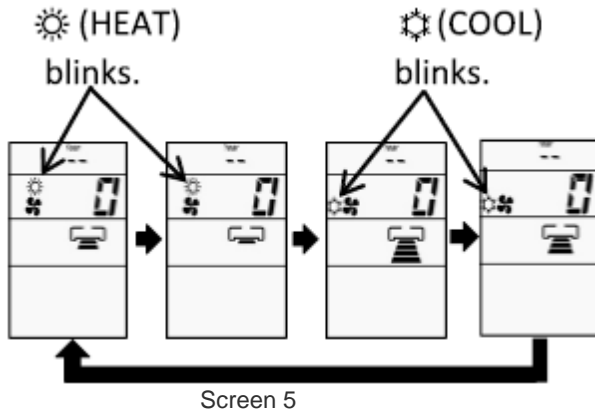
- Press (START/STOP) and Screen 4 appear.



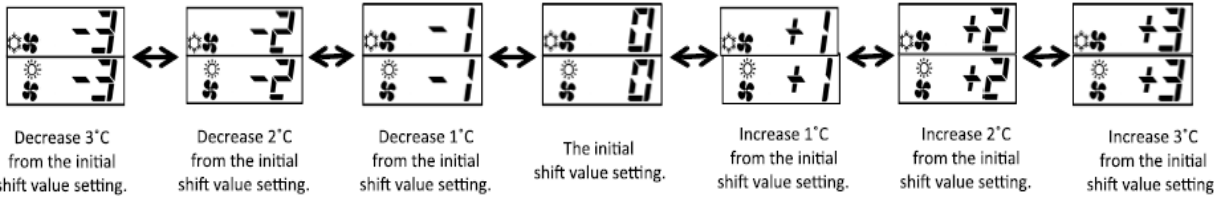
Screen 4

- Select (FAN SPEED) button to choose Heating Shift or Cooling Shift Mode (Screen 5).

By setting fan speed to HIGH or MED, it will go to Cooling Shift mode.  
 By setting fan speed to LOW or SILENT, it will go to Heating Shift mode.



- Press the Temperature button (∨ or ∧) to adjust the shift value.





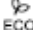



NOTE:

- There are total of 7 shift values ranging from -3 to 3.
- The displayed shift value, (HEAT) and (COOL) symbol on the remote controller display will be disappear after 10 seconds
- The changed shift value will remain unchanged after turned off the power.
- If "0" is displayed on the remote controller display, it indicates the shift value is now at the initial setting.

## 9.3 OPERATION LOCK

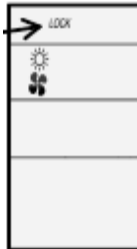
### 1. HEATING MODE

- a) Press and hold  (ECO) and  (POWERFUL) buttons, press  (RESET) button on the same time. Release  (RESET) button only when Screen 1 appear, then release  (ECO) button and  (POWERFUL) button.



Screen 1

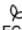



- b) Wait until only Screen 2 appear.



Screen 2

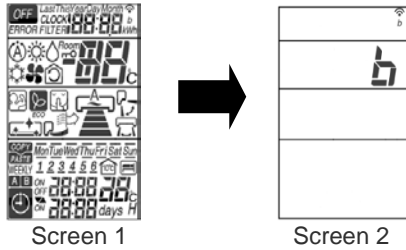
- c) The heating mode operation is locked.  
 d) To unlock HEATING mode, repeat step (a). After all operations mode symbols displayed for 10 seconds, the operation mode symbol before cancellation will be display. The heating mode operation is unlocked.

### 2. COOLING AND DEHUMIDIFYING MODE

- a) Press and hold  (ECO) and  (SILENT) buttons for at least 5 seconds when the remote controller is OFF.  
 b) Wait until only  and  displayed on the screen. The cooling and dehumidifying modes operation is locked.  
 c) To unlock HEATING mode, repeat step (a). After all operations mode symbols displayed for 10 seconds, the operation mode symbol before cancellation will be display. The cooling and dehumidifying mode operation is unlocked.

### 9.4 SETTING THE PREVENTION OF MUTUAL INTERFERENCE

1. Please ensure the other indoor unit is OFF.
2. Press [1-6] (PROGRAM NO.) button, (ON TIMER) button and RESET (RESET) button simultaneously. The remote controller will display Screen 1 and followed by Screen 2. The indoor unit beeps to indicate that it has just received the signal from remote controller.



**NOTE:**

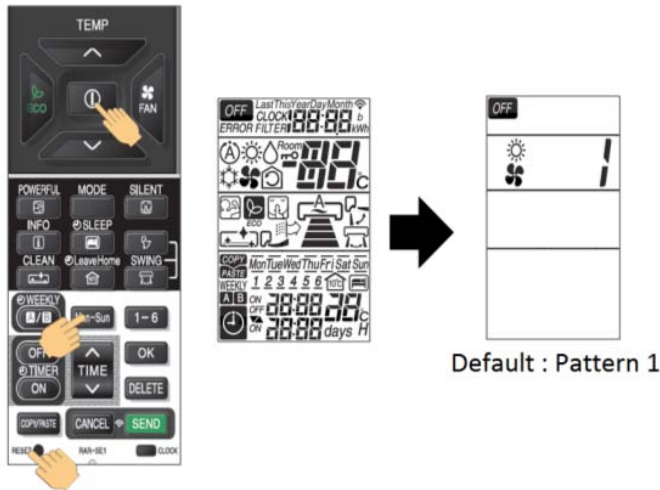
If indoor unit still not receive the correct signal from the correct remote controller, setting shall be made again. By setting again for the 2nd time, the signal address will change from B to A, then repeat again for the 3rd time.

### 9.5 INTERMITTENT FAN SPEED SETTING

The intermittent fan control during thermo off in Heating Mode can be changed by the remote controller. (This procedure should be done only by service personnel.) It is possible to select from 3 patterns.

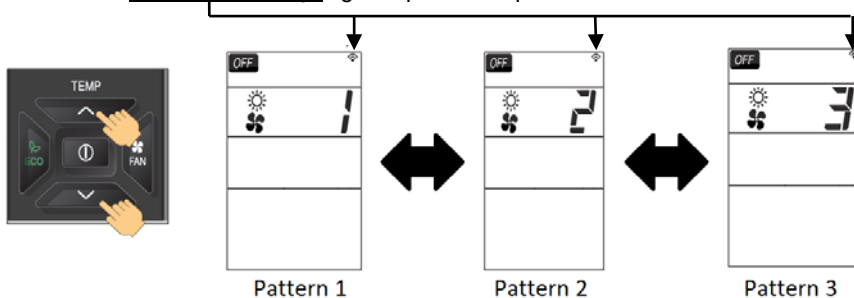
**PROCEDURE**

1. Press [START/STOP] button, [Mon-Sun] button and press RESET [RESET] button simultaneously. Release RESET [RESET] button only and make sure that all marks on the remote controller display are indicated, then release [START/STOP] button and [Mon-Sun] button. Remote controller now enters "Intermittent Fan Control Change Mode".



2. Press [ROOM TEMPERATURE setting] [^(UP)]/[V(DOWN)] buttons. (The intermittent pattern changed with indoor unit beep sound.)

Transmission sign lights up with beep from indoor unit simultaneously.



	Pattern 1	Pattern 2	Pattern 3
Single Model	Continuous	30sec ON / 210sec OFF repeatedly	50sec ON / 190sec OFF repeatedly
Multi Model	30sec ON / 210sec OFF repeatedly	50sec ON / 190sec OFF repeatedly	Continuous



## NOTE :

- (1) The indication of the selected intermittent pattern will disappear after 10 seconds.
- (2) The selected intermittent pattern will remain unchanged after the unit is turned off.

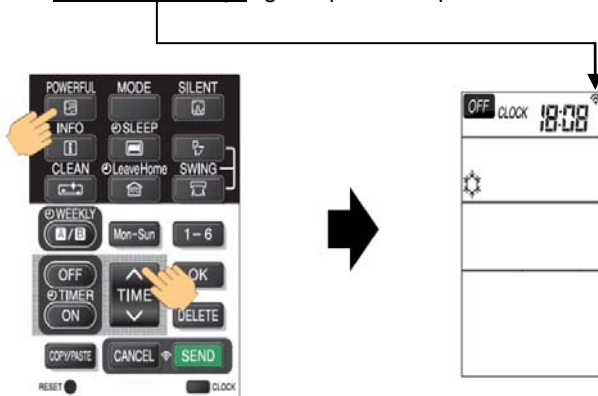
## 9.6 FAN SPEED SETTING IN THERMO OFF IN COOLING

The fan speed in Cooling Mode during thermo off can be changed by the remote controller.  
(This procedure shall be implemented strictly by service personnel only.)  
It is possible to return it to the default setting.

### PROCEDURE

Press  [POWERFUL] button and  [TIME ^ (UP)] button simultaneously for about 5 seconds when the remote controller is OFF.

Transmission sign lights up with beep from indoor unit simultaneously.




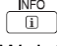
- Beep sound pattern :
- 1) Default setting : Short beep
  - 2) Changed setting : Double beep

	Fan speed during thermo off
Default Setting	Ultra low
Changed Setting	Set fan speed (When auto fan speed is set, the fan speed is low)

## NOTE :

- (1) The selected fan speed will remain unchanged after the unit is turned off.
- (2) If Timer reservation has been set, it will be canceled.
- (3) During time setting and timer setting, this operation cannot be set.

## 9.7 ERROR CODE INFORMATION

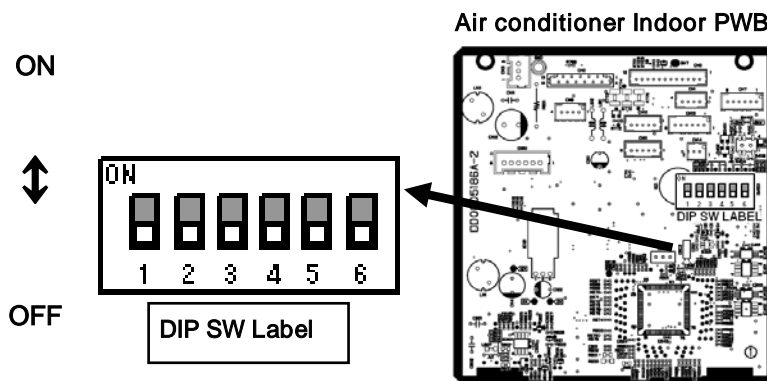
1. In case failure occurs to the air conditioner, by pressing  (INFO) button, an error code will be displayed.
2. Direct the remote controller towards the receiver of indoor unit (within 2 meters in front of indoor unit) and press  (INFO) button.
3. Wait for 2 seconds for signal transmission and the error code will be displayed.

	TIMER LAMP BLINKING	LED301 BLINKING	CODE	MEANING
INDOOR	-	-	000 00	Normal
	1 time	-	001 00	Refrigerant cycle fault
	2 times	-	-	Outdoor unit is under forced operation
	3 times	9 times	003 00	Communication error between indoor and outdoor units
	9 times	-	009 00	Indoor thermistor
	10 times	-	010 00	Abnormal rotating numbers
	13 times	-	013 00	IC401 data reading error
OUTDOOR	4 times	2 times	002 01	Peak current cut
	4 times	3 times	003 01	Compressor abnormal low speed rotation
	4 times	4 times	004 01	Compressor switching failure
	4 times	5 times	005 01	Overload lower limit cut
	4 times	6 times	006 01	OH thermistor temperature rise
	4 times	7 times	007 01	Abnormal outdoor thermistor
	4 times	8 times	008 01	Acceleration defective
	4 times	9 times	009 01	Communication error
	4 times	10 times	010 01	Abnormal power source
	4 times	11 times	011 01	Fan stop for strong wind
	4 times	12 times	012 01	Fan motor fault
	4 times	13 times	013 01	EEPROM reading error
	4 times	14 times	014 01	Active converter defective
	4 times	15 times	015 01	Abnormal PWB circuit

	TIMER LAMP BLINKING	LD301 Lit LD302 BLINKING	CODE	MEANING
OUTDOOR	4 times	1 times	071 01	Overheat thermostat
	4 times	2 times	072 01	Defrost thermostat
	4 times	3 times	073 01	Outdoor temperature thermostat
	4 times	4 times	074 01	Narrow pipe thermostat (indoor 1)
	4 times	5 times	075 01	Wide pipe thermostat (indoor 1)
	4 times	6 times	076 01	Narrow pipe thermostat (indoor 2)
	4 times	7 times	077 01	Wide pipe thermostat (indoor 2)
	4 times	8 times	078 01	Narrow pipe thermostat (indoor 3)
	4 times	9 times	079 01	Wide pipe thermostat (indoor 3)
	4 times	10 times	080 01	Narrow pipe thermostat (indoor 4)
	4 times	11 times	081 01	Wide pipe thermostat (indoor 4)
	4 times	12 times	082 01	Narrow pipe thermostat (indoor 5)
	4 times	13 times	083 01	Wide pipe thermostat (indoor 5)

## 9.8 ADDITIONAL FUNCTION VIA DIP-SWITCH SETTINGS

A new DIP Switch is available on the PWBs of the indoor unit that provide additional functions via the settings on the switches.



Pin No.	Function	Switch Position / Setting					
		OFF	Enable	ON	Disable		
1	AUTO RESTART function	OFF	Enable	ON	Disable		
2	DRY CONTACT function	OFF	Disable	ON	Enable		
3	DRY CONTACT Logic Select	OFF	HI Input Active	ON	LO Input Active		
4	HEATING / COOLING ONLY MODE SELECT	OFF	NORMAL (HEAT AND COOL)	OFF	HEATING ONLY	ON	COOLING ONLY
5		OFF		ON		OFF	
6	REMOCON ID SELECT ❖1	OFF	SELECT ID A	ON	SELECT ID B		

NOTE:

- ❖1 The setting of pin no. 6 is disabled for this model. Please refer to **9.4 SETTING THE PREVENTION OF MUTUAL INTERFERENCE**.

### 9.8.1 AUTO RESTART FUNCTION

The AUTO RESTART function can be enabled or disabled by setting Pin No. 1 on the DIP SWITCH above to the ON or OFF position accordingly.

### 9.8.2 HEATING/COOLING ONLY MODE SELECTION

When this function is enabled, the operation mode could be locked to either Heating Only (Heating or Fan) or Cooling Only (Cooling, Fan or Dehumidifying) by setting the Pin No. 4 and 5 accordingly.

LOCKED MODE	REMARKS
HEATING ONLY	Unit will not enter into Cooling mode although cooling mode is selected using the remote controller.
COOLING ONLY	Unit will not enter into Heating mode although heating mode is selected using the remote controller.

## 10 OPTION LIST

### CONTENTS









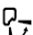

10	OPTION LIST	10-1
10.1	WIRED REMOTE CONTROL SPX-RCDA AND SPX-RCDB	10-2
10.1.1	SHIFT VALUE	10-3
10.1.2	ERROR CODE INFORMATION	10-4
10.3	WIRELESS REMOTE SPX-RCA1	10-7
10.4	H-LINK ADAPTOR – PSC 6RAD	10-8
10.4.1	SAFETY SUMMARY	10-8
10.4.2	INSTALLATION WORK	10-8
10.4.3	ELECTRICAL WIRING	10-9
10.4.4	DIP SWITCH SETTING	10-10
10.4.5	TEST RUN	10-11
10.5	DRY CONTACT (SPX-WDC2 AND SPX-WDC3) APPLICATION (USING DIP SWITCH)	10-12
10.6	DISTRIBUTOR – SPX-DST1	10-15
10.7	REMOTE SENSOR - SPX-RTH1	10-16
10.7.1	SELECTION OF INSTALLATION POSITION	10-16
10.7.2	INSTALLATION PROCEDURE	10-16
10.7.3	WIRING PROCEDURES	10-16








### 10.1 WIRED REMOTE CONTROL SPX-RCDA AND SPX-RCDB

This controls the operation function and timer setting of the room air conditioner.

RAR-5G1 (SPX-RCDA)	RAR-5G2 (SPX-RCDB)	
<p>RAD-18QPB RAD-25QPB RAD-35QPB RAD-50QPB</p>	<p>RAK-18QXB RAK-25RXB RAK-35RXB RAK-50RXB RAK-15QPB RAK-18RPB RAK-25RPB RAK-35RPB RAK-50RPB</p>	<p>RAF-25RXB RAF-35RXB RAF-50RXB  RAI-25QPB RAI-35QPB RAI-50QPB</p>



BUTTONS	FUNCTION
	<p><b>MODE Selector</b> Use this button to select the operating mode. Every time you press this button, the mode will change from (AUTO) → (HEAT) → (DEHUMIDIFY) → (COOL) and → (FAN) cyclically.</p>
	<p><b>FAN SPEED Selector Button</b> This determines the fan speed. Every time you press this button, the airflow rate will change from (AUTO) → (HIGH) → (MED) → (LOW) → (SILENT) (This button allows selection of optimal or preferred fan speed for each operation mode).</p>
	<p><b>ON/OFF button</b> Press this button to start operation. Press it again to stop operation.</p>
	<p><b>SLEEP button</b> Use this button to set the SLEEP timer.</p>
	<p><b>SET button</b> Timer setting reservation.</p>
	<p><b>OFF button</b> Select the turn OFF timer.</p>
	<p><b>ON button</b> Select the turn ON timer.</p>
	<p><b>CANCEL button</b> Cancel timer reservation.</p>
	<p><b>AUTO SWING (Vertical) button</b> Controls the angle of the horizontal air deflector.</p>
	<p><b>ROOM TEMPERATURE setting button</b> Value will change quicke when keep pressing.</p>

### 10.1.1 SHIFT VALUE

1. Press and hold  (ON/OFF) button and  (ON TIMER) button at the same time while giving a single press on the RESET button until remote controller now enter 'Shift value change mode'.
2. Press  (ON/OFF) button so that the display indicates  (FAN) speed.
3. Select  (FAN SPEED) button to choose Heating Shift or Cooling Shift Mode.

By setting fan speed to HIGH  or MED  , it will go to Cooling Shift mode.

By setting fan speed to LOW  or SILENT  , it will go to Heating Shift mode.


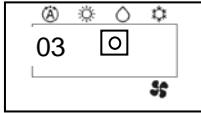


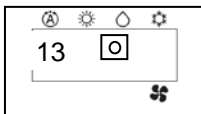

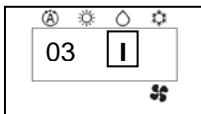

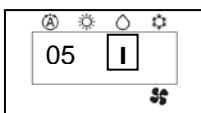
4. Press  (ROOM TEMPERATURE) button to change the shift value (-3°C ~ 0 ~ 3°C).
5. Press  (ON/OFF) button to end 'Shift value setting mode'.

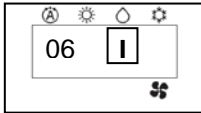
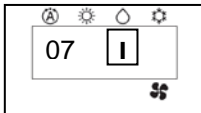
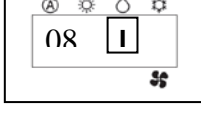
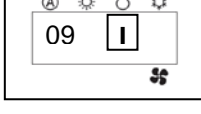
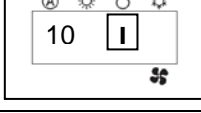
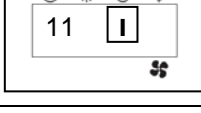
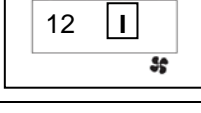
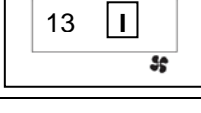
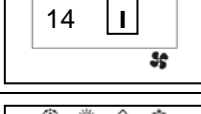
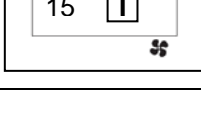
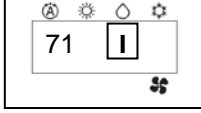
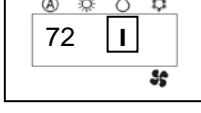
#### NOTE:

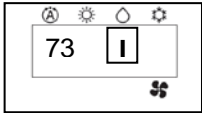
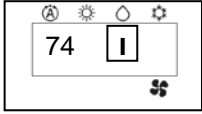
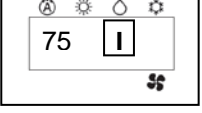
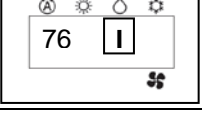
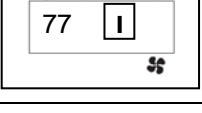
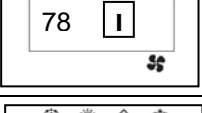
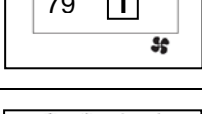


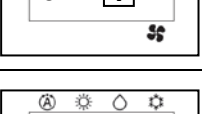
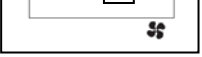
1. There are total of 7 shift values ranging from -3 to 3.
2. The changed shift value will remain unchanged after turned off the power.

## 10.1.2 ERROR CODE INFORMATION

1. In case failure occurs to the air conditioner, the error code will constantly appear on the wired remote controller display.

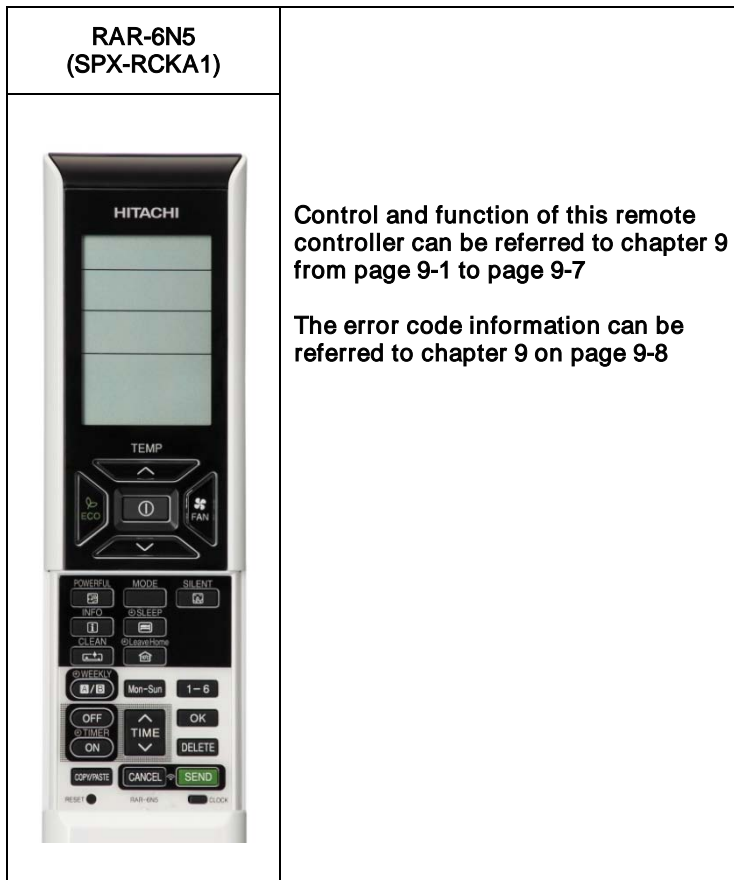
	TIMER LAMP BLINKING	LD301 BLINKING	CODE	MEANING
INDOOR	-	-	-	Normal
	1 time	-		Refrigerant cycle fault
	2 times	-	-	Outdoor unit is under forced operation
	3 times	9 times		Communication error between indoor and outdoor units
	9 times	-		Indoor thermistor
	10 times	-		Abnormal rotating numbers
	13 times	-		IC401 data reading error
OUTDOOR	4 times	2 times		Peak current cut
	4 times	3 times		Compressor abnormal low speed rotation
	4 times	4 times		Compressor switching failure
	4 times	5 times		Overload lower limit cut

	TIMER LAMP BLINKING	LD301 BLINKING	CODE	MEANING
OUTDOOR	4 times	6 times		OH thermistor temperature rise
	4 times	7 times		Abnormal outdoor thermistor
	4 times	8 times		Acceleration defective
	4 times	9 times		Communication error
	4 times	10 times		Abnormal power source
	4 times	11 times		Fan stop for strong wind
	4 times	12 times		Fan motor fault
	4 times	13 times		EEPROM reading error
	4 times	14 times		Active converter defective
	4 times	15 times		Abnormal PWB circuit
		<b>LD301 Lit LD302 BLINKING</b>		
	4 times	1 times		Overheat thermostat
	4 times	2 times		Defrost thermostat

	TIMER LAMP BLINKING	LD301 Lit LD302 BLINKING	CODE	MEANING
OUTDOOR	4 times	3 times		Outdoor temperature thermostat
	4 times	4 times		Narrow pipe thermostat (indoor 1)
	4 times	5 times		Wide pipe thermostat (indoor 1)
	4 times	6 times		Narrow pipe thermostat (indoor 2)
	4 times	7 times		Wide pipe thermostat (indoor 2)
	4 times	8 times		Narrow pipe thermostat (indoor 3)
	4 times	9 times		Wide pipe thermostat (indoor 3)
	4 times	10 times		Narrow pipe thermostat (indoor 4)
	4 times	11 times		Wide pipe thermostat (indoor 4)
	4 times	12 times		Narrow pipe thermostat (indoor 5)
	4 times	13 times		Wide pipe thermostat (indoor 5)

## 10.3 WIRELESS REMOTE SPX-RCKA1

This remote controller shall be used with duct type room air conditioner.



## 10.4 H-LINK ADAPTOR – PSC 6RAD

### 10.4.1 SAFETY SUMMARY

**DANGER:**

- DO NOT pour water into the remote control switch (hereafter called “controller”). This product is equipped with electrical parts. This will cause serious electrical shock.

**WARNING:**

- DO NOT perform installation work and electrical wiring connection by yourself. Contact your distributor or dealer of HITACHI and ask then for installation work and electrical wiring by service person. The specified cable should be used to connect (i) room air conditioner and adaptor, and (ii) controller and adaptor.


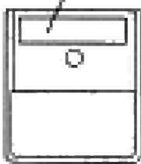

**CAUTION:**




- DO NOT install the indoor unit, outdoor unit, controller and cable as such places as:
  - where there is oil vapor and dispersion of oil
  - where there is sulfuric environment (near the hot springs)
  - where there is a flammable gas
  - where there is salty environment (near the sea)
- DO NOT install the indoor unit, outdoor unit, controller and cable within approximately 3 meters from strong electromagnetic wave radiators, such as medical equipment. In case that the controller is installed in a place where there is electromagnetic wave direct-radiation, shield the controller and cables by covering with the steel box and running the cable through the metal conduit tube.
- In case that there is electric noise at the power source for the indoor unit, provide a noise filter.

### 10.4.2 INSTALLATION WORK

**■ Before installation**

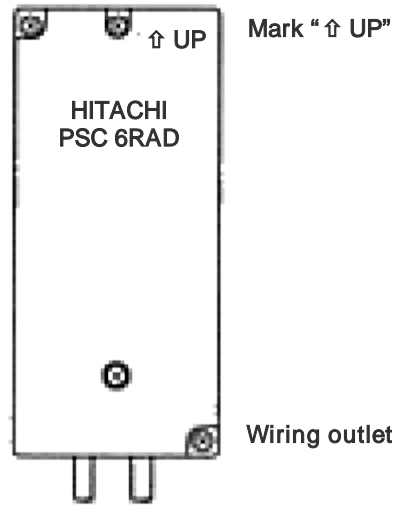
Check the contents and the number of the accessories in the packing.

Adaptor	 With two 1.8m cables
1 piece of cover for hiding the covering	 Attached 2 sided tapes
Two-sided tape for attaching to Adaptor	 110x40x3mm

2 connectors for H-Link connection		
2 tapping screws for attaching to wall		φ3.0 x 10mm
2 screws for attaching to wooden wall		φ3.1 x 16mm

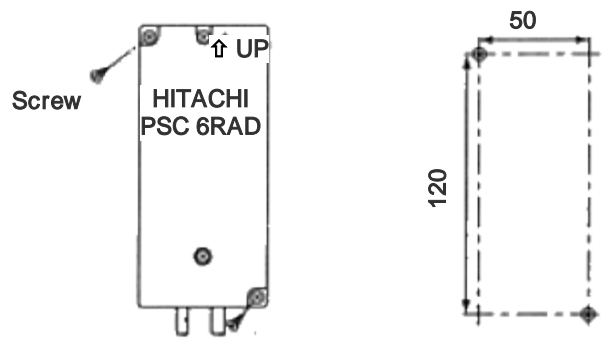
- 1) RAC adaptor can be installed to the wall as well as on the air conditioner itself
- 2) Install RAC adaptor in the vertical surface as shown below.

Upper side

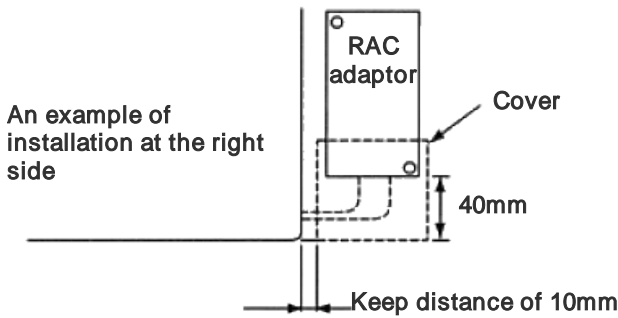


Bottom side

- 3) Installation procedure
  - a) When installing to the wall.
    - i) Fix the adaptor with 2 screws. Tapping screw is for metal surface, and other screw is for wooden surface.

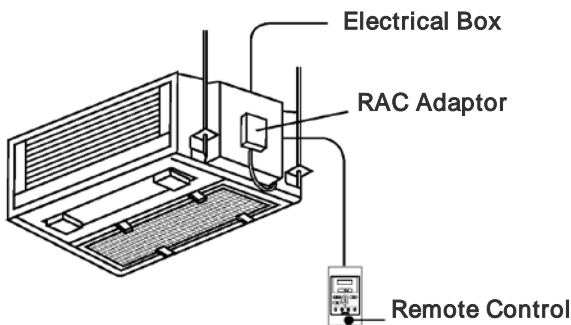
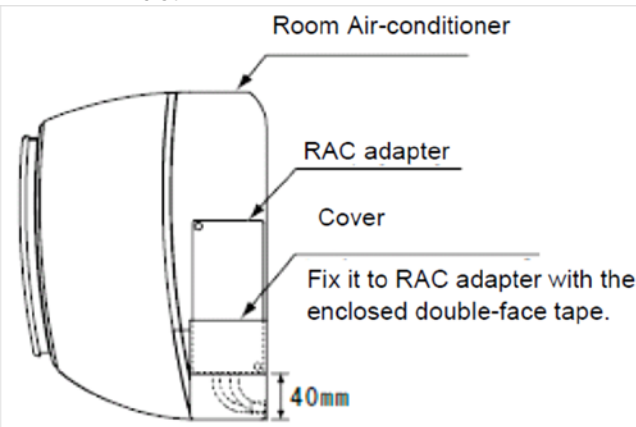


- ii) When using the cover
  - i) It can be installed at the right and left side of room air conditioner. Fix the cover and RAC adaptor with the two-sided tape (accessory).



An example of installation at the right side

- b) When installing on the room air-conditioner
  - In case that it cannot be installed to the wall due to the space or material problem, install the RAC adaptor with the two-sided tape (accessory) on the room air-conditioner.
  - i) Confirm if the piping cover of the unit can be removed when performing the service maintenance, and then fix the RAC adaptor in the side of room air-conditioner with two-sided tape. (Available at the right as well as left side)
  - ii) Clean the surface to be installed with a dry cloth.

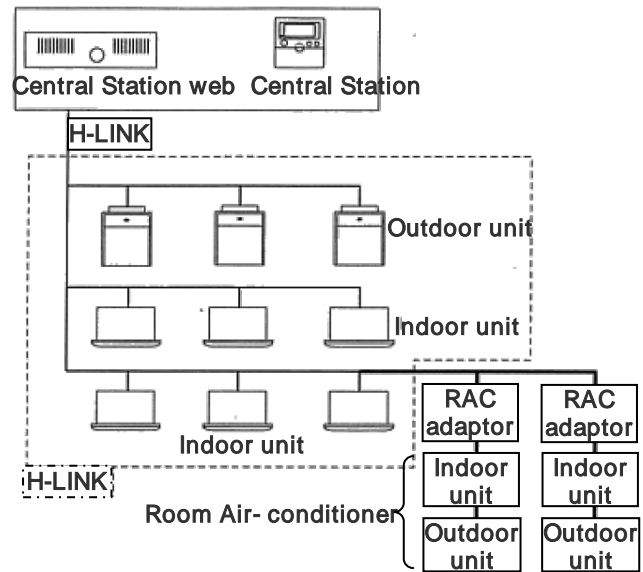


**NOTE:**

- Consider the following points since the adhesiveness changes according to the environmental conditions (temperature, humidity etc)
- The adhesiveness is decreased when there is humidity or oil.
- Warm the adhesive part and installation place of the two-sided tape to avoid the decrease of the adhesiveness in case the ambient temperature is low.
- DO NOT touch the adhesive part by fingers nor re-attach it many times. The adhesiveness has decreased and the RAC adaptor may fall off.
- DO NOT apply any force within 24 hours after installation.

**10.4.3 ELECTRICAL WIRING**

■ System configuration



**CAUTION:**

- Turn OFF the power supply of the room air-conditioner of the central control device when performing the wiring work
- DO NOT run all the H-LINK cable or power supply cable along the other signal cable, or malfunction may occur due to the noise, etc. If it is required to run along the other transmission cable, separate the cable more than 30cm, or run the cable through the metal tube and earth the tube.
- Follow local codes and regulations when performing electrical wiring and earth wiring.
- Transmissions cable used in H-LINK shall be 2 cores cable (0.7mm<sup>2</sup> to 1.25mm<sup>2</sup> for model: VCTF, VCT, CVV, MVVX, CVVX, VVR, VVF) or 2 cores twisted pair cable (model: KPEV, KPEV-Spec). Total length of cable shall be below 1000mm.
- DO NOT use wire with more than 3 cores.

■ Internal components and Wiring connections

Check the contents and the number of the accessories in the packing.

- Access  
Open the cover by removing the ① and ② screws.



- Wiring Connection  
Connection with Room Air-Conditioner
  - i) Remove the front cover of the room air-conditioner and the cover of electrical box.
  - ii) The cable attached with the connector of the RAC adaptor shall be connected with the connector of indoor PCB

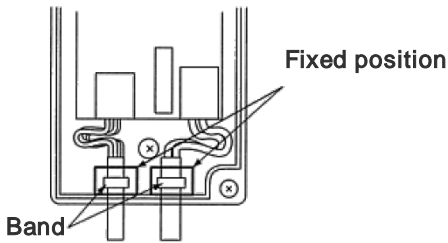
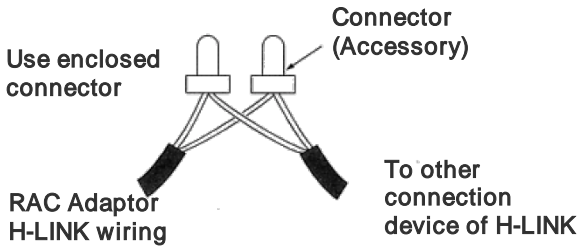


- iii) Install the electrical box cover paying attention not to clamp the cable. Read the installation manual of each room air-conditioner for confirming how to connect and how to assemble the cable of the RAC adaptor.

**CAUTION:**

- Disconnect the power plug before performing this work
- Turn OFF the break power source in case the power is supplied from the outdoor unit.

• Connection of Transmission Cable  
H-LINK transmission cable connecting to RAC adaptor shall be connected to H-LINK.

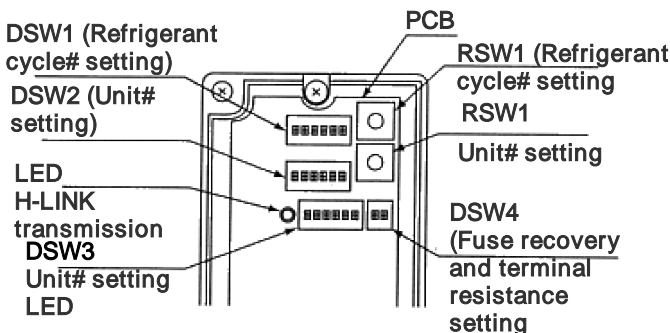


**CAUTION:**

- DO NOT connect incorrect wiring. It may cause the failure of the RAC Adaptor. Especially pay attention not to apply high voltage e.g. AC400/230V.
- DO NOT perform the wiring work while power to the central station or the RAC Adaptor is still being supplied. It may cause malfunction. Turn OFF devices when performing the wiring work.
- The RAC Adaptor side cable should not overload to the connector.
- DO NOT clamp the cable when attaching the RAC adaptor cover.
- Band should not be loose and in fixed position.

**10.4.4 DIP SWITCH SETTING**

- 1) Switch OFF the power of room air conditioner before setting the DIP switch. If the power is ON, the settings are INVALID.
- 2) The position of the DIP switch is shown below.



**CAUTION:**

- DO NOT turn ON various pins of DSW1 and DSW2

- 3) Set the refrigerant cycle# by RSW1 and DSW1

DSW1 (Ten digit)	RSW1 (Last digit)
DSW1 and RSW1 are set "0" before shipment. Up to 15 cycles can be set.	
E.g. Setting in Ref No. 5	
No. 1 pin is OFF	The position is Set 5

- 4) Set the unit No. by RSW2 and DSW2

DSW2 (Ten digit)	RSW2 (Last digit)
DSW2 and RSW3 are set "0" before shipment. Up to 15 cycles can be set.	
E.g. Setting in Unit No. 15	
No. 1 pin is OFF	The position is Set 5

- 5) Slave unit.

In case of setting various RAC adaptors in the same refrigerant cycle, set the RAC adaptor with smallest Unit# as a master unit. In case of setting only one RAC adaptor in a refrigerant system, this adaptor should be a master unit. Set this procedure by DSW3.

Master Unit setting	Setting before shipping (slave unit setting)

●: Master Unit setting

○: Setting before Shipping (Slave Unit setting)

		Indoor Unit#							
		0	1	2	3	4	5	6	7
Refrigerant Unit#	0	●	○	○	○	○			
	1			●	○	○			
	2				●	○	○	○	○
	3		●						
	4								

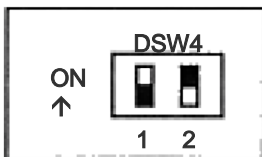
**CAUTION:**

– DO NOT set various main adaptors in the same refrigerant cycle.

- 6) Procedure when applying 200V voltage to H-LINK wiring incorrectly.

In case of applying 200V voltage to H-LINK wiring incorrectly, the fuse installed in a transmission circuit on PCB will blow out. In this case, reconnect the wiring correctly and turn ON No. 2 pin of DSW4 on PCB. The transmission circuit can be recovered. (If applying this error again, the transmission circuit can not be recovered)

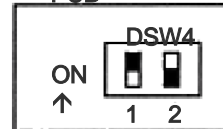
PCB



Turn ON No.2 pin of DSW4

- 7) Terminating resistance is set in whole H-LINK system.
  - a) If H-LINK connecting devices like package air-conditioner are connected besides the RAC Adaptor, set the terminating resistance by those connecting devices. The terminating resistance should be set ON in only one position in whole H-LINK system.
  - b) In case that H-LINK is connected only by the RAC adaptor, set the terminating resistance by the RAC adaptor. The terminating resistance should be set ON in only one position in whole H-LINK system.

PCB



Turn ON No.1 pin of DSW4

**10.4.5 TEST RUN**

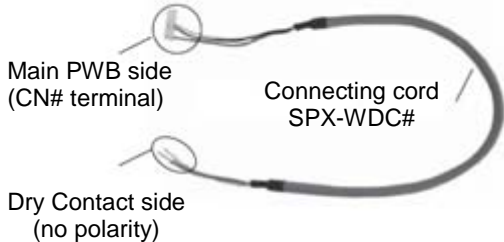
Test run should be performed in the following after finishing the installation, wiring and setting. Refer to the installation manuals enclosed with the control system equipment.

- 1) Confirmation of RAC Adaptor Connection
  - Confirm if the RAC adaptor connection is recognized in the control system equipments. In case that it is not confirmed, check the transmission cable, refrigerant cycle #, indoor unit #, terminal resistance setting etc.
- 2) Registration
  - Confirm if the RAC adaptor connection is recognized.
- 3) Confirmation of RUN/STOP Operation.
  - Confirm if the room air-conditioner operate correctly by RUN/STOP from the central control system equipments. Check also if the room air-conditioner operation changes correctly by each setting.

### 10.5 DRY CONTACT (SPX-WDC2 AND SPX-WDC3) APPLICATION (USING DIP SWITCH)

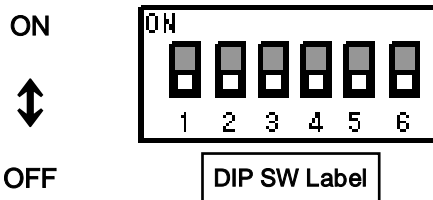
The dry contact system enables the operation of the air conditioner indoor unit to be controlled by using external dry contacts (with non voltage) such as card-key controller or window for facilities such as hotels.

Table 1 (Applicable models and related information)

Optional Connecting cord Accessory SPX-WDC#	Model	DIP SW Label	CN#	
	SPX-WDC2	RAI-25/35/50QPB	SW501	CN9
		RAD-18/25/35/50QPB	SW501	CN9
	SPX-WDC3	RAK-18QXB	DSW1	CN6
		RAK-25/35/50RXB	DSW1	CN6
		RAK-15QPB	DSW1	CN6
		RAK-18/25/35/50RPB	DSW1	CN6
		RAF-25/35/50RXB	DSW1	CN6

Note:

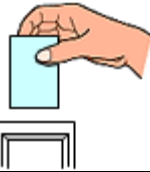


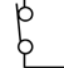

- 1) DRY CONTACT function is "Enable" by set pin No. 2 of the DIP SWITCH (refer to table 1 for the label) to ON position.
- 2) Select the proper setting for DRY CONTACT LOGIC INPUT pin No. 3 on DIP SWITCH (refer to Table 1 for the label)
  - i) Set to OFF position (Hi Input) if the type of Dry Contact switch to be used (for the CARD KEY UNIT or Window) is of contact type a (Normally Open Type) as shown in below diagram.
  - ii) Set to ON position (Lo Input) if the type of Dry contact switch to be used (for the CARD KEY UNIT or Window) is of contact type b (Normally Close Type) as shown in below diagram.






Pin No.	Function	Switch Position / Setting			
		OFF	Disable	ON	Enable
2	DRY CONTACT function	OFF	Disable	ON	Enable
3	DRY CONTACT Input Logic	OFF	HI Input Active	ON	LO Input Active

- Please decide the type of dry contact you will be using and set the position of the DIP Switch No. 2 and 3 accordingly

[1] CHECK DRY CONTACT OF CARD KEY UNIT

	AIR CONDITIONER Standby	AIR CONDITIONER Operating
	CARD KEY (Door Switch)	REMOVE 
Contact type a	OPEN 	CLOSE 
Contact type b	CLOSE 	OPEN 

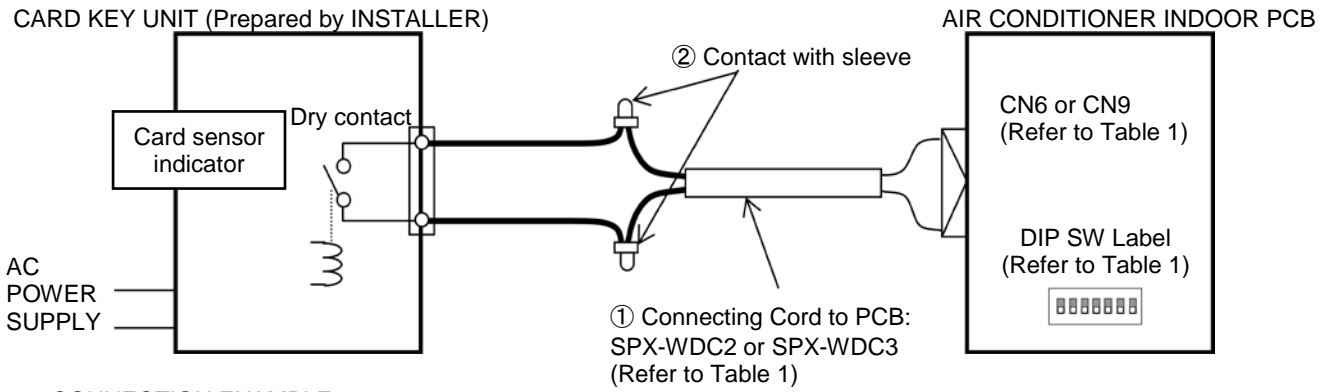
[2] SET THE POSITION OF DIP SWITCH

POSITION CONDITION OF DIP SWITCH	
	<b>INITIAL CONDITION (CARD KEY NO USE)</b> No.2 : OFF No.3 : OFF
	<b>HI Input Active</b> No.2 : ON No.3 : OFF
	<b>LO Input Active</b> No.2 : ON No.3 : ON

After all connection has been done as below diagram, ON the breaker and push ON button of wireless remote controller or wired remote controller to operate the air conditioner unit.

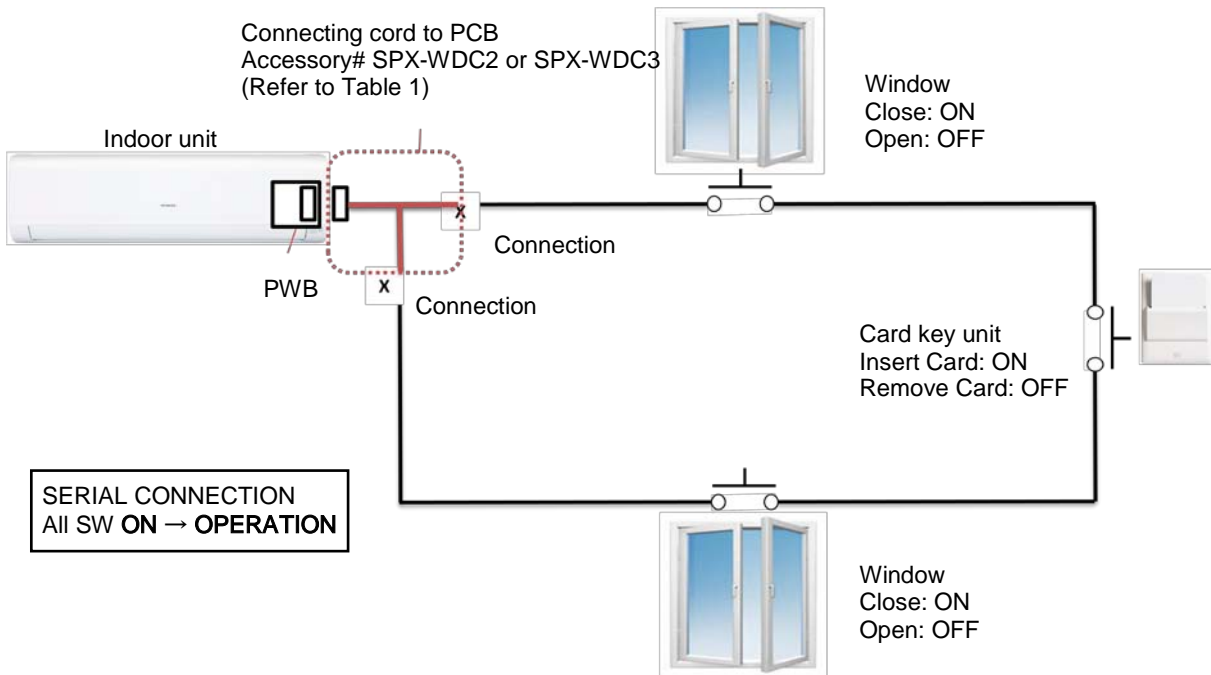
- When the CARD KEY is in insert condition, the air conditioner operation is allowable by remote controller.
- When the dry contact switch on the Card Key Unit is open (refer to diagram below for contact type a), the unit stops to operate (it takes 10 seconds to stop the unit operation after the dry contact switch on the card key turns off) and vice versa.
- When the card key is removed from the Card Key Unit, the wireless remote controller cannot be used.
- When the card key is removed from the Card Key Unit, the wired remote controller LCD display is activated; however it has no control over the unit.
- The suitable accessory Connecting Cord (accessory code#: SPX-WDC2 or SPX-WDC3) need to be used to connect the Card Key Unit's dry contact switch to the connector on the control board of the indoor unit. Please refer to Table 1 to select suitable accessory code# for the concerning indoor model.

Example of wiring connection to Card Key Unit will be as below (reference only)

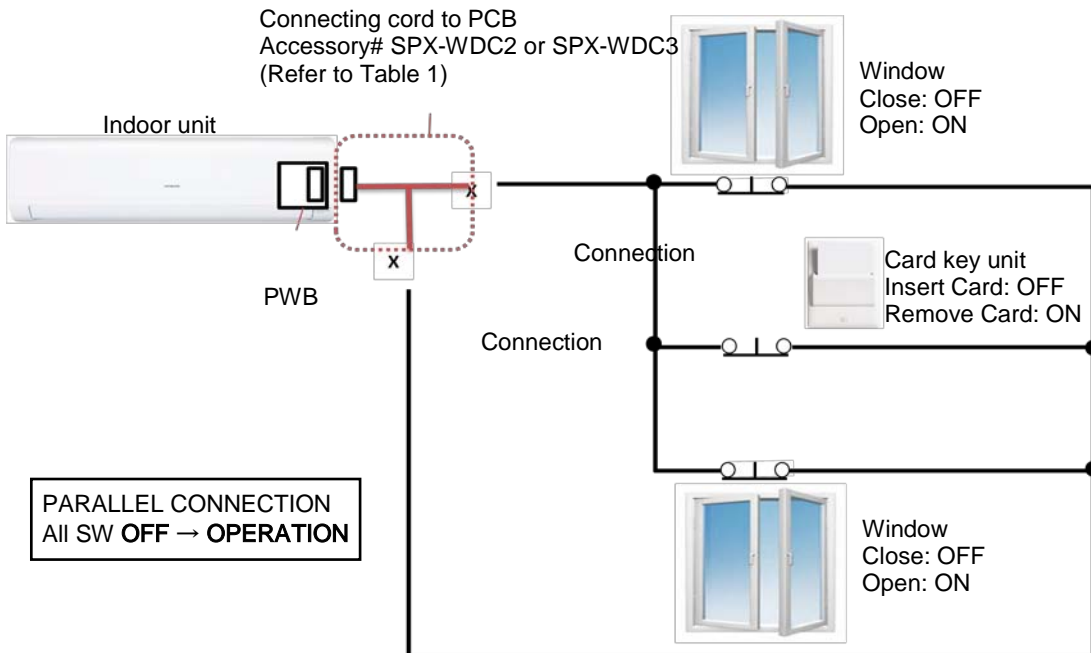


• CONNECTION EXAMPLE

i. Pin No. 3 of DIP SWITCH is set to OFF position (HI Input Active) for Dry Contact Type a



ii. Pin No. 3 of DIP SWITCH is set to ON position (LO Input Active) for Dry Contact Type b

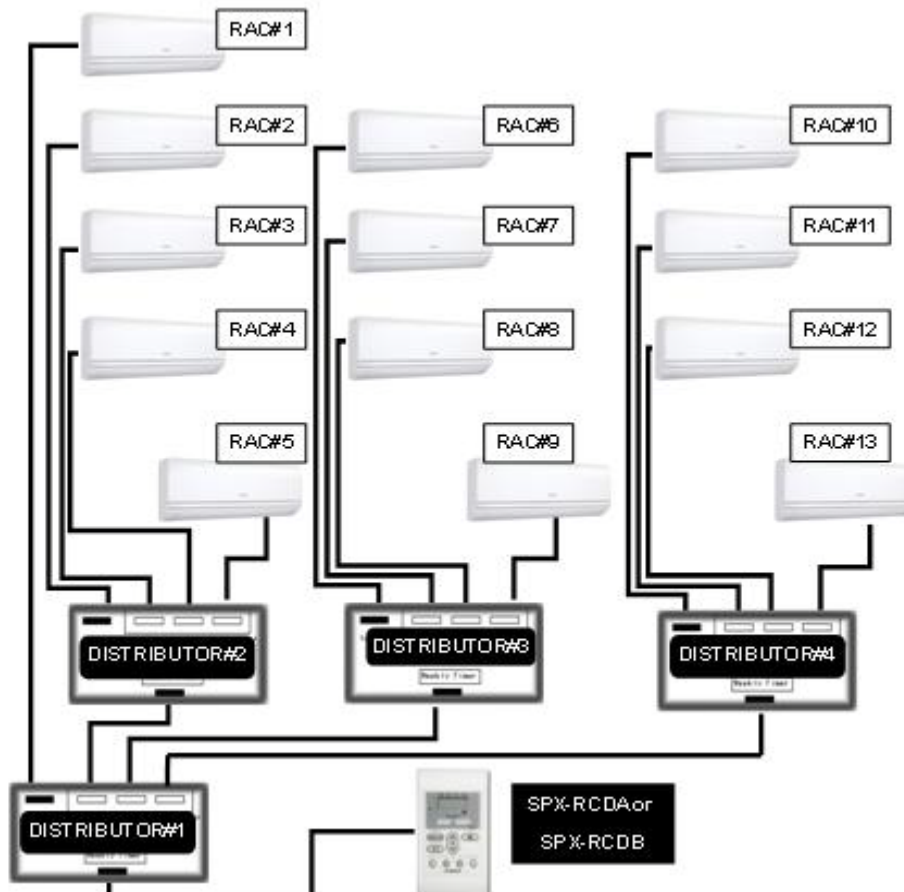
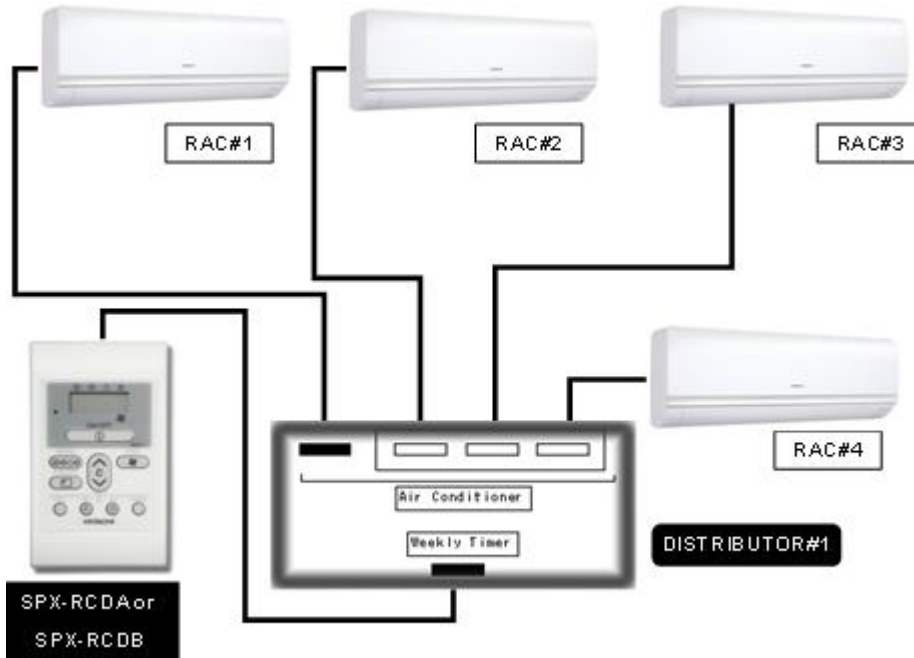


Please refer to the actual manual supplied with the optional connecting cords SPX-WDC2/WDC3 for more details.

### 10.6 DISTRIBUTOR – SPX-DST1

The optional distributor is to be used together with the wired remote controller when there is a need to centralize the control of multiple indoor units using only a single wired remote controller.

A single distributor could be connected further to 3 separate distributors so that up to 13 units of indoor could be controlled by a single wired remote controller.



## 10.7 REMOTE SENSOR - SPX-RTH1

This remote sensor is applicable to Duct type indoor unit for Hitachi split system air conditioner.

### 10.7.1 SELECTION OF INSTALLATION POSITION

The thermistor for detecting room temperature is installed inside the remote sensor

The installation position of the remote sensor should be determined in consideration with the following conditions.

- Where the average room temperature can be detected.
- Where is not exposed to the sun
- Where the heat source is not located near the remote sensor.
- Where the discharge air from the air conditioner does not blow directly.
- Where is not affected by the outdoor air when opening / closing the door, etc

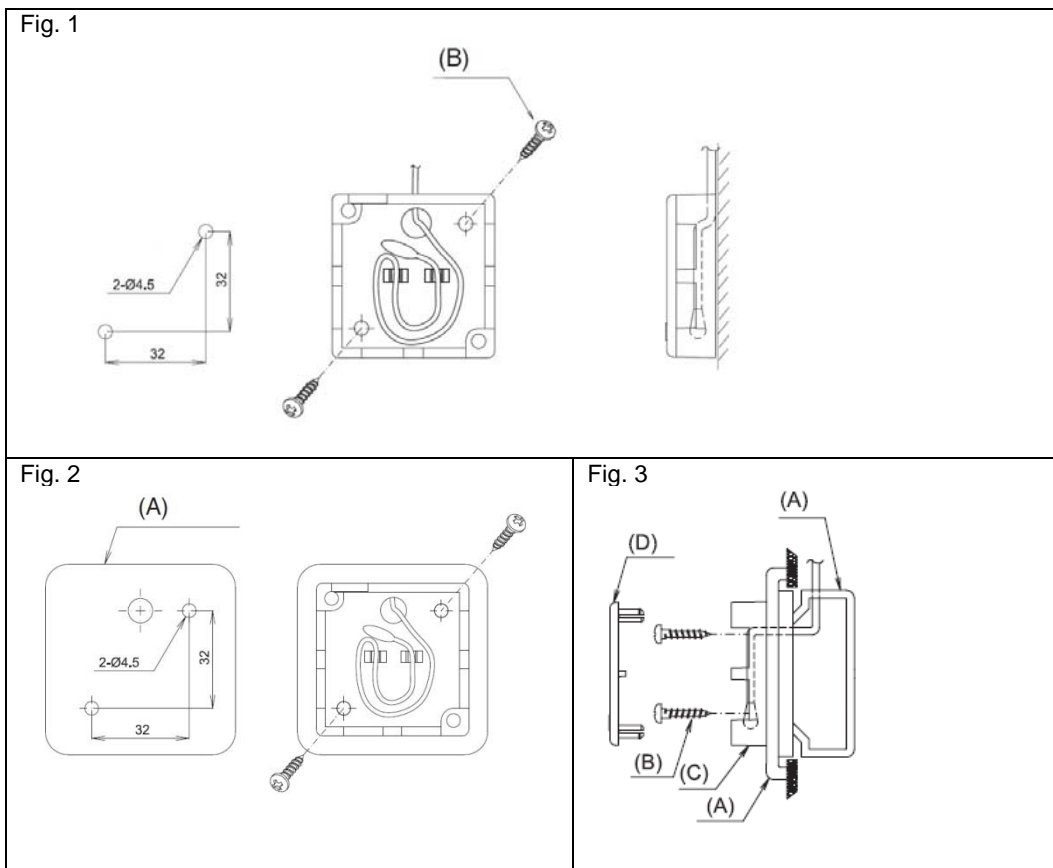
### 10.7.2 INSTALLATION PROCEDURE

#### ▪ In case of mounting onto the wall (Fig.1)

- Make the wiring on the sensor box, and let the wires for sensor through the box slot.
- Fix the sensor box onto the wall with 2 screws (B)
- In case that the sensor box can not be fixed onto the wall with screws, fix it onto the wall by using the double sided adhesive tapes, etc.

#### ▪ In case of mounting onto Electrical Switch box (Fig. 2 and 3)

- Make the holes for fixing sensor box on the Switch Box Cover (A) (field-supplied) as shown on the Fig. 3 and fix the sensor box to the plate with screws (B)
- Pay attention that the hole for air intake on the sensor box (C) may not be shut.



### 10.7.3 WIRING PROCEDURES

- Remove the original room thermistor from CN1 at the indoor printed circuit board.
- Connect the cord (15m) of the remote sensor to CN1 (Black) of the indoor printed circuit board.

Please refer to the actual manual supplied with the SPX- RTH1 for more details.

---

**HITACHI**