

AIR CONDITIONER

Ceiling type

DESIGN & TECHNICAL MANUAL

INDOOR



ABYG36KRTA
ABYG45KRTA

OUTDOOR



AOYG36KRTA



AOYG45KRTA

FUJITSU GENERAL LIMITED

Notices:

- Product specifications and design are subject to change without notice for future improvement.
- For further details, please check with our authorized dealer.

Trademarks

FGLair™ is trademark of Fujitsu General Limited in the United States, other countries or both.

Google Play™ is trademark of Google Inc.

App Store® is a service mark of Apple Inc., registered in the U.S. and other countries.

CONTENTS

Part 1. INDOOR UNIT	1
1. Specifications	2
2. Dimensions	4
2-1. Models: ABYG36KRTA and ABYG45KRTA	4
3. Wiring diagrams	6
3-1. Models: ABYG36KRTA and ABYG45KRTA	6
4. Capacity table	7
4-1. Cooling capacity.....	7
4-2. Heating capacity	8
5. Fan performance	9
5-1. Air velocity and temperature distributions	9
5-2. Airflow	11
5-3. Fresh air characteristics	13
6. Operation noise (sound pressure)	15
6-1. Noise level curve.....	15
6-2. Sound level check point	16
7. Safety devices	17
8. External input and output	18
8-1. External input	18
8-2. External output.....	20
8-3. Combination of external input and output.....	21
8-4. Details of function	23
9. Group connection	29
10. Function settings	30
10-1. Function settings by using remote controller	30
11. Accessories	35
11-1. Models: ABYG36KRTA and ABYG45KRTA	35
12. Optional parts	36
12-1. Controllers	36
12-2. Others	37

CONTENTS (continued)

Part 2. OUTDOOR UNIT	39
1. Specifications	40
2. Dimensions	41
2-1. Model: AOYG36KRTA	41
2-2. Model: AOYG45KRTA	42
3. Installation space	43
3-1. Models: AOYG36KRTA and AOYG45KRTA.....	43
4. Refrigerant circuit	46
4-1. Models: AOYG36KRTA and AOYG45KRTA.....	46
5. Wiring diagrams	47
5-1. Model: AOYG36KRTA	47
5-2. Model: AOYG45KRTA	47
6. Capacity compensation rate for pipe length and height difference	48
6-1. Model: AOYG36KRTA	48
6-2. Model: AOYG45KRTA	49
7. Additional charge calculation	50
7-1. Model: AOYG36KRTA	50
7-2. Model: AOYG45KRTA	50
8. Airflow	51
8-1. Model: AOYG36KRTA	51
8-2. Model: AOYG45KRTA	51
9. Operation noise (sound pressure)	52
9-1. Noise level curve.....	52
9-2. Sound level check point	53
10. Electrical characteristics	54
11. Safety devices	55
12. External input and output	56
12-1.External input	56
12-2.External output.....	58
13. Function settings	60
13-1.Control PCB and switch buttons location	60
13-2.Local setting procedure.....	62
14. Accessories	64
14-1.Models: AOYG36KRTA and AOYG45KRTA.....	64
15. Optional parts	65

Part 1. INDOOR UNIT

CEILING TYPE:

ABYG36KRTA

ABYG45KRTA

1. Specifications

Type				Ceiling	
				Inverter heat pump	
Model name				ABYG36KRTA	ABYG45KRTA
Power supply				3N 400 V ~ 50 Hz	
Power supply intake				Outdoor unit	
Available voltage range				342—457 V	
Capacity	Cooling	Rated	kW	9.5	12.1
			Btu/h	32,400	41,300
		Min.—Max.	kW	2.8—11.2	4.0—13.5
	Heating	Rated	Btu/h	9,600—38,200	13,600—46,000
			kW	10.8	13.5
		Min.—Max.	kW	2.7—12.7	4.2—16.2
Input power	Cooling	Rated	kW	2.96	4.22
			Btu/h	4.52	4.79
		Max.	kW	2.88	3.84
	Heating	Rated	Btu/h	4.31	4.81
			kW	5.7	7.7
		Max.	kW	5.6	7.1
Current				A	
EER				kW/kW	
COP				kW/kW	
Power factor				%	
Moisture removal				L/h (pints/h)	
Maximum operating current *1				A	
Fan	Airflow rate	Cooling	HIGH	1,850	1,900
			MED	1,470	1,510
			LOW	1,300	1,380
			QUIET	1,050	1,130
		Heating	HIGH	1,800	1,850
			MED	1,470	1,510
			LOW	1,300	1,380
			QUIET	1,050	1,130
	Type × Q'ty			Sirocco × 4	
	Motor output			W	
Sound pressure level *2				dB (A)	
Heat exchanger type				mm	
Enclosure				Steel sheet	
Dimensions (H × W × D)				294 × 1,335 × 39.9	
Weight				kg	
Connection pipe				mm (in)	
Drain hose				mm	
Operation range				°C	
Remote controller (Option)				Wired remote controller, Wireless remote controller, Mobile app*3 (FGLair™)	

NOTES:

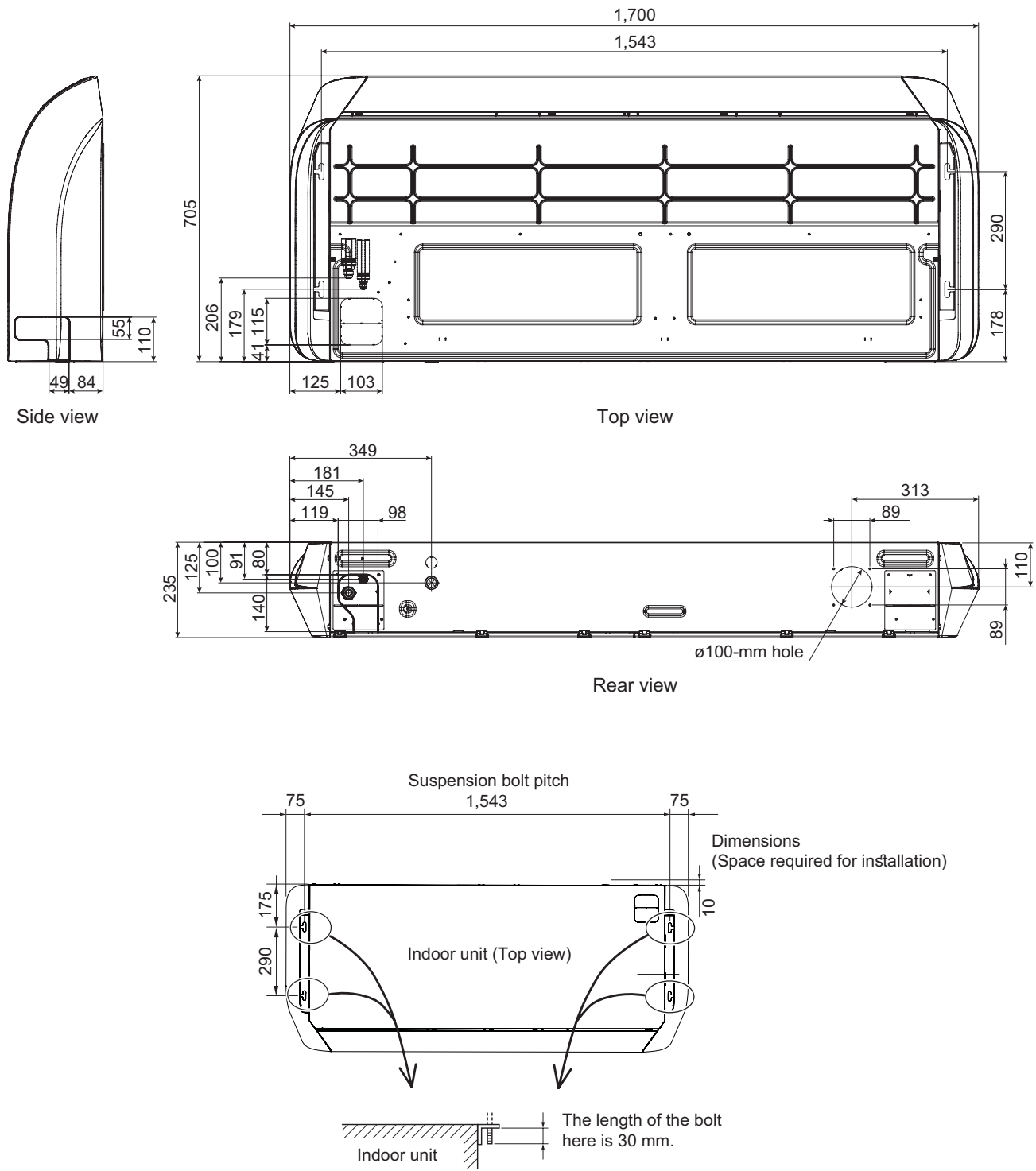
- Specifications are based on the following conditions:
 - Cooling: Indoor temperature of 27 °CDB/19 °CWB, and outdoor temperature of 35 °CDB/24 °CWB.
 - Heating: Indoor temperature of 20 °CDB/15 °CWB, and outdoor temperature of 7 °CDB/6 °CWB.
 - Pipe length: 5 m, Height difference: 0 m. (Between outdoor unit and indoor unit.)
- Protective function might work when using it outside the operation range.
- *1: Maximum current is maximum value when operated within the operation range.
- *2: Sound pressure level:
 - Measured values in manufacturer's anechoic chamber.
 - Because of the surrounding sound environment, the sound levels measured in actual installation conditions might be higher than the specified values here.
- *3: Available on Google Play™ store or on App Store®. Optional WLAN adapter is also required. For details, refer to the setting manual.
- This data is based on EN 14511 standard.

Specifications for ErP Lot10				
Model name		ABYG36KRTA		
Energy efficiency class	Cooling	A ⁺		
	Heating (Average)	A		
Pdesign	Cooling	kW	9.5 (35°C)	
	Heating (Average)		8.7 (-10°C)	
SEER	Cooling	kWh/kWh	6.37	
SCOP	Heating (Average)		4.21	
Annual energy consumption	QCE	kWh/a	524	
	QHE (Average)		2,904	
Sound power level	Cooling	HIGH	dB (A)	59
	Heating			59

2. Dimensions

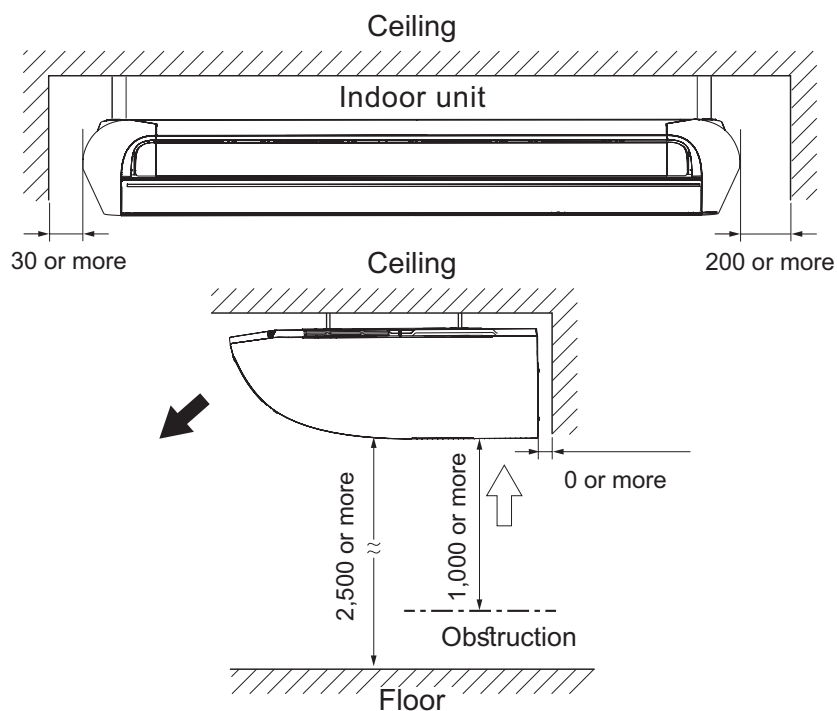
2-1. Models: ABYG36KRTA and ABYG45KRTA

Unit: mm



■ Installation space requirement

Unit: mm

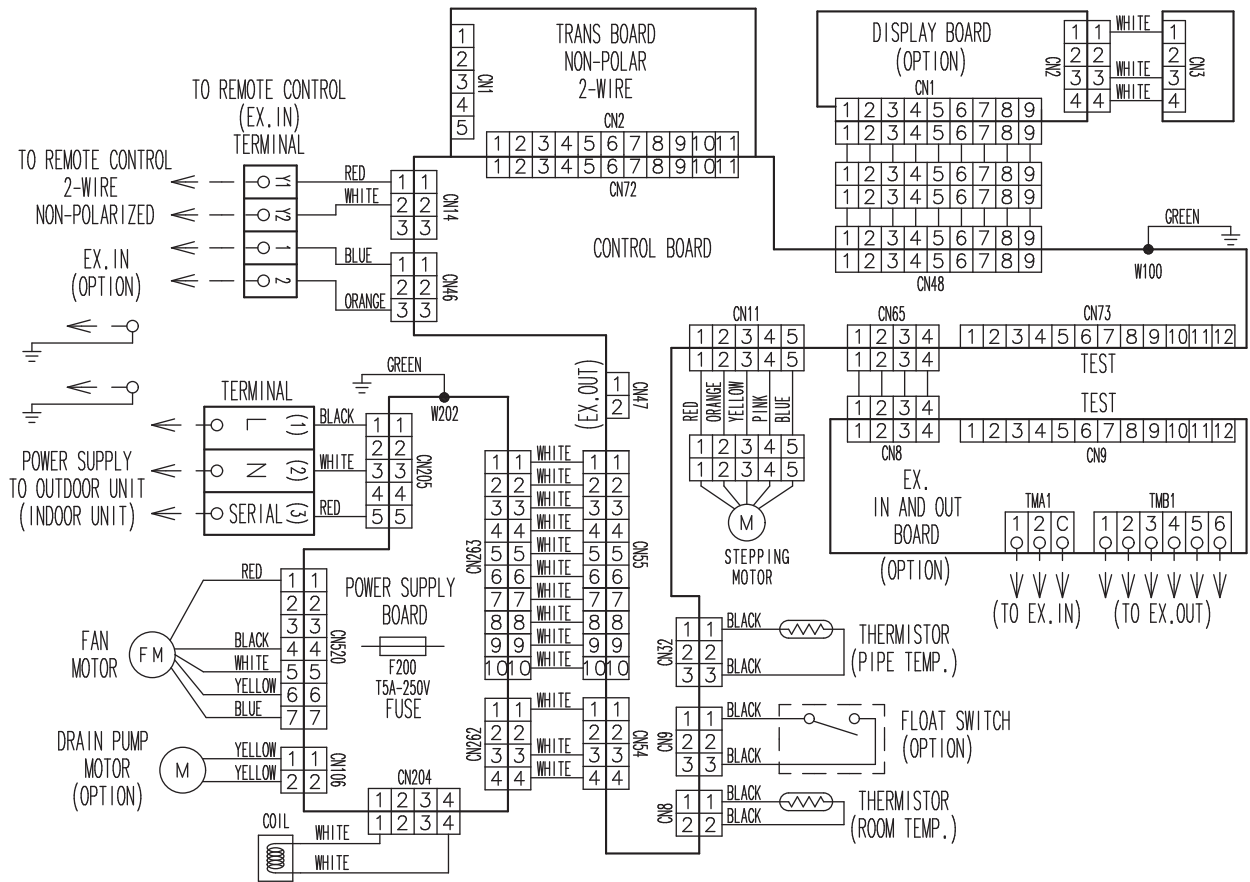


Required ceiling height varies according to the ceiling mode setting of function setting No. 20.

Ceiling height (m)		
Ceiling mode	Standard	High ceiling
36 and 45 models	3.5	4.3

3. Wiring diagrams

3-1. Models: ABYG36KRTA and ABYG45KRTA



4. Capacity table

Capacity tables show each of following values calculated based on the outdoor temperature and the indoor temperature, under given Airflow Rate (AFR):

For cooling capacity: Total Capacity (TC), Sensible Heat Capacity (SHC), and Input Power (IP)

For heating capacity: Total Capacity (TC) and Input Power (IP)

4-1. Cooling capacity

■ Model: ABYG36KRTA

AFR		m ³ /h																				
		1,850																				
		Indoor temperature																				
°CDB		18			21			23			25			27			29			32		
°CWB		12			15			16			18			19			21			23		
°CDB		TC	SHC	IP	TC	SHC	IP	TC	SHC	IP	TC	SHC	IP	TC	SHC	IP	TC	SHC	IP	TC	SHC	IP
		kW			kW			kW			kW			kW			kW					
Outdoor temperature	-15	6.91	6.25	1.05	7.15	6.27	1.08	7.31	6.29	1.10	7.72	6.59	1.11	8.13	6.89	1.13	8.58	7.12	1.15	9.27	7.45	1.17
	-10	6.76	6.18	1.28	7.00	6.20	1.31	7.16	6.21	1.33	7.56	6.51	1.35	7.96	6.81	1.37	8.40	7.03	1.39	9.07	7.36	1.42
	0	6.47	6.03	1.73	6.70	6.05	1.77	6.86	6.07	1.80	7.24	6.36	1.83	7.62	6.65	1.86	8.05	6.87	1.88	8.69	7.19	1.92
	5	6.42	6.00	1.78	6.64	6.02	1.82	6.80	6.04	1.85	7.17	6.33	1.88	7.55	6.62	1.91	7.98	6.83	1.94	8.61	7.15	1.98
	10	6.36	5.97	1.83	6.59	6.00	1.88	6.74	6.01	1.90	7.11	6.29	1.94	7.49	6.58	1.97	7.91	6.80	2.00	8.54	7.12	2.04
	15	6.26	5.87	1.89	6.48	5.89	1.93	6.62	5.92	1.96	6.99	6.19	1.99	7.36	6.48	2.02	7.77	6.68	2.05	8.39	6.99	2.11
	20	9.44	8.00	2.50	9.77	8.04	2.56	9.99	8.06	2.59	10.55	8.44	2.64	11.10	8.83	2.69	11.73	9.12	2.73	12.66	9.54	2.79
	25	8.98	7.71	2.58	9.30	7.73	2.64	9.51	7.75	2.69	10.04	8.12	2.74	10.57	8.50	2.78	11.16	8.77	2.82	12.05	9.17	2.88
	30	8.53	7.40	2.67	8.83	7.43	2.74	9.03	7.44	2.78	9.53	7.80	2.82	10.03	8.15	2.87	10.60	8.42	2.91	11.44	8.82	2.97
	35	8.07	7.10	2.76	8.36	7.12	2.82	8.55	7.14	2.86	9.02	7.48	2.91	9.50	7.82	2.96	10.03	8.07	3.00	10.83	8.45	3.07
	40	7.55	6.79	2.88	7.82	6.81	2.95	8.00	6.83	2.99	8.44	7.15	3.04	8.89	7.49	3.09	9.39	7.73	3.14	10.14	8.08	3.20
46	6.93	6.42	3.03	7.18	6.44	3.10	7.34	6.47	3.14	7.75	6.77	3.20	8.16	7.07	3.25	8.61	7.30	3.30	9.30	7.65	3.37	

■ Model: ABYG45KRTA

AFR		m ³ /h																				
		1,900																				
		Indoor temperature																				
°CDB		18			21			23			25			27			29			32		
°CWB		12			15			16			18			19			21			23		
°CDB		TC	SHC	IP	TC	SHC	IP	TC	SHC	IP	TC	SHC	IP	TC	SHC	IP	TC	SHC	IP	TC	SHC	IP
		kW			kW			kW			kW			kW			kW					
Outdoor temperature	-15	8.56	6.43	1.98	9.29	6.76	2.02	9.78	6.97	2.05	10.26	7.27	2.08	10.75	7.56	2.10	11.20	7.70	2.10	11.87	7.91	2.10
	-10	8.62	6.45	2.00	9.35	6.78	2.05	9.84	6.99	2.07	10.33	7.28	2.10	10.82	7.58	2.14	11.27	7.72	2.14	11.94	7.93	2.14
	0	8.73	6.48	2.05	9.47	6.81	2.09	9.96	7.02	2.13	10.46	7.32	2.15	10.95	7.62	2.19	11.41	7.75	2.19	12.09	7.97	2.19
	5	8.57	6.49	2.10	9.30	6.82	2.15	9.78	7.03	2.17	10.27	7.33	2.21	10.76	7.63	2.24	11.20	7.77	2.24	11.88	7.98	2.24
	10	8.42	6.50	2.15	9.13	6.83	2.20	9.61	7.04	2.23	10.08	7.34	2.27	10.56	7.64	2.29	11.00	7.78	2.29	11.66	7.99	2.29
	15	8.27	6.40	2.21	8.98	6.72	2.27	9.45	6.93	2.29	9.91	7.22	2.33	10.38	7.51	2.36	10.82	7.66	2.36	11.47	7.86	2.36
	20	11.05	8.14	3.59	11.99	8.54	3.67	12.61	8.81	3.73	13.24	9.18	3.78	13.86	9.55	3.83	14.44	9.73	3.83	15.31	9.99	3.83
	25	10.58	7.93	3.72	11.48	8.32	3.80	12.08	8.59	3.85	12.68	8.95	3.90	13.28	9.31	3.96	13.83	9.49	3.96	14.66	9.75	3.96
	30	10.11	7.73	3.83	10.97	8.11	3.92	11.54	8.37	3.97	12.12	8.72	4.03	12.69	9.07	4.09	13.22	9.24	4.09	14.01	9.49	4.09
	35	9.64	7.52	3.95	10.46	7.89	4.04	11.01	8.15	4.10	11.55	8.49	4.16	12.10	8.83	4.22	12.61	9.00	4.22	13.36	9.24	4.22
	40	8.22	6.87	3.57	8.92	7.23	3.65	9.38	7.45	3.69	9.85	7.76	3.75	10.32	8.08	3.80	10.75	8.23	3.80	11.39	8.46	3.80
46	6.51	6.11	3.10	7.07	6.41	3.16	7.44	6.62	3.20	7.80	6.89	3.25	8.17	7.18	3.30	8.51	7.30	3.30	9.03	7.51	3.30	

4-2. Heating capacity

NOTE: Values mentioned in the table are calculated based on the maximum capacity.

■ Model: ABYG36KRTA

AFR	m ³ /h	1,800
-----	-------------------	-------

Outdoor temperature		Indoor temperature											
		°CDB		16		18		20		22		24	
		°CDB	°CWB	TC	IP	TC	IP	TC	IP	TC	IP	TC	IP
				kW		kW		kW		kW		kW	
-15	-16	8.05	2.95	8.01	2.96	7.98	2.96	7.77	2.96	7.26	2.97		
-10	-11	9.21	3.19	9.17	3.20	9.13	3.20	8.89	3.20	8.31	3.22		
-5	-7	10.37	3.43	10.32	3.44	10.28	3.44	10.02	3.45	9.35	3.46		
0	-2	11.01	3.71	10.97	3.72	10.92	3.72	10.64	3.73	9.94	3.74		
5	3	12.30	3.77	12.24	3.77	12.19	3.78	11.88	3.78	11.09	3.79		
7	6	12.81	3.79	12.75	3.80	12.70	3.80	12.37	3.80	11.56	3.82		
10	8	13.20	3.79	13.15	3.80	13.09	3.80	12.75	3.80	11.91	3.82		
15	10	13.73	3.79	13.68	3.80	13.62	3.80	13.27	3.80	12.39	3.82		
20	15	14.63	3.80	14.56	3.81	14.50	3.81	14.13	3.81	13.19	3.83		
24	17	15.34	3.81	15.27	3.81	15.21	3.82	14.82	3.82	13.84	3.83		

■ Model: ABYG45KRTA

AFR	m ³ /h	1,850
-----	-------------------	-------

Outdoor temperature		Indoor temperature											
		°CDB		16		18		20		22		24	
		°CDB	°CWB	TC	IP	TC	IP	TC	IP	TC	IP	TC	IP
				kW		kW		kW		kW		kW	
-15	-16	12.04	4.74	11.75	4.76	11.46	4.78	11.19	4.78	10.53	4.78		
-10	-11	13.37	4.93	13.05	4.97	12.73	4.99	12.43	4.99	11.69	4.99		
-5	-7	14.70	5.14	14.35	5.16	14.00	5.19	13.67	5.19	12.86	5.19		
0	-2	15.48	5.34	15.11	5.36	14.74	5.39	14.40	5.39	13.54	5.39		
5	3	16.57	4.67	16.18	4.69	15.78	4.72	15.42	4.72	14.50	4.72		
7	6	17.01	4.67	16.61	4.69	16.20	4.71	15.82	4.71	14.88	4.71		
10	8	17.72	4.66	17.29	4.68	16.87	4.70	16.48	4.70	15.50	4.70		
15	10	18.89	4.64	18.44	4.66	17.99	4.69	17.57	4.69	16.53	4.69		
20	15	20.07	4.63	19.59	4.65	19.11	4.67	18.66	4.67	17.55	4.67		
24	17	21.01	4.60	20.50	4.64	20.00	4.66	19.54	4.66	18.38	4.66		

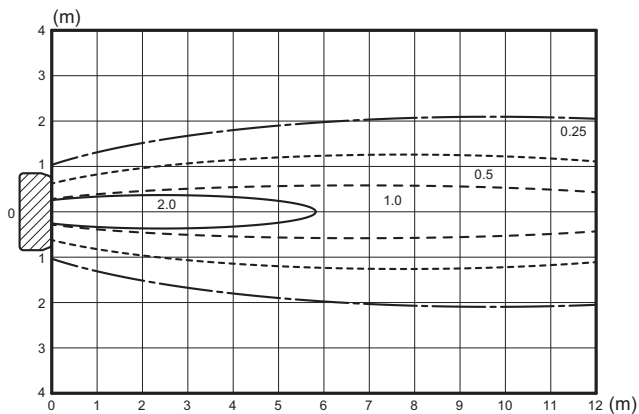
5. Fan performance

5-1. Air velocity and temperature distributions

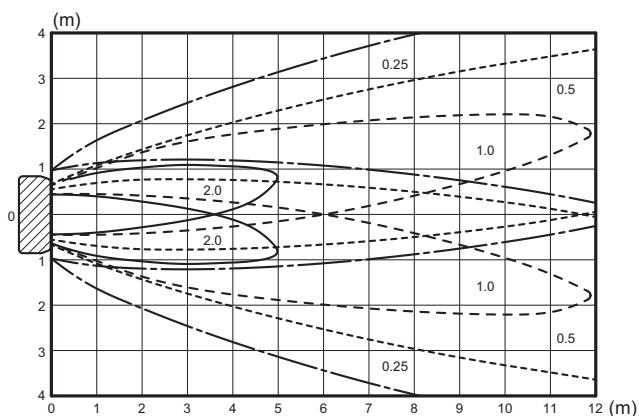
Model: ABYG36KRTA

Measuring conditions	Fan speed	Operation mode
	HIGH	FAN

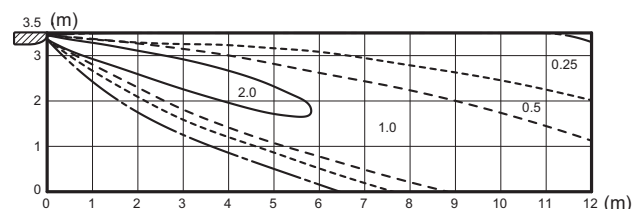
Top view
Vertical airflow direction louver: Up
Horizontal airflow direction louver: Center



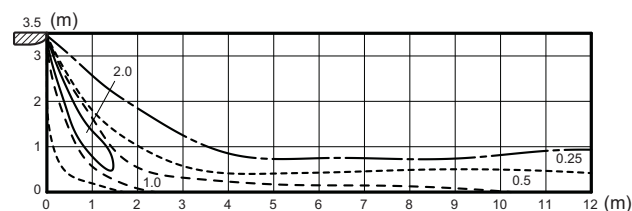
Top view
Vertical airflow direction louver: Up
Horizontal airflow direction louver: Left & Right



Side view
Vertical airflow direction louver: Up
Horizontal airflow direction louver: Center



Side view
Vertical airflow direction louver: Down
Horizontal airflow direction louver: Center



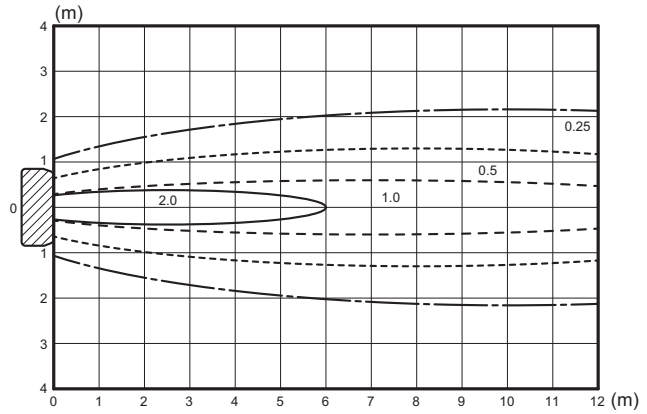
Model: ABYG45KRTA

CEILING TYPE
ABYG36-45KRTA

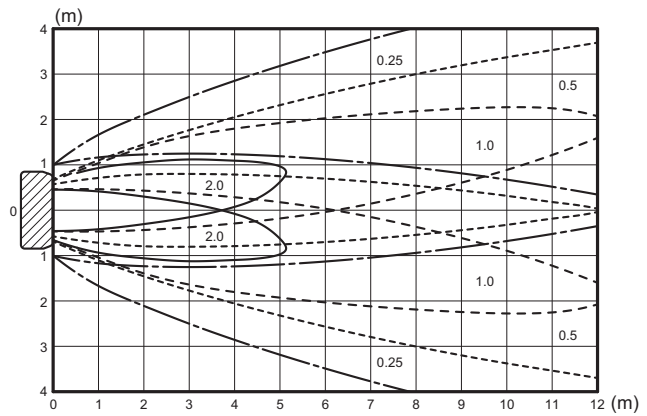
CEILING TYPE
ABYG36-45KRTA

Measuring conditions	Fan speed	Operation mode
	HIGH	FAN

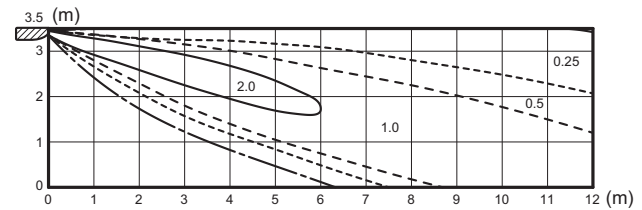
Top view
Vertical airflow direction louver: Up
Horizontal airflow direction louver: Center



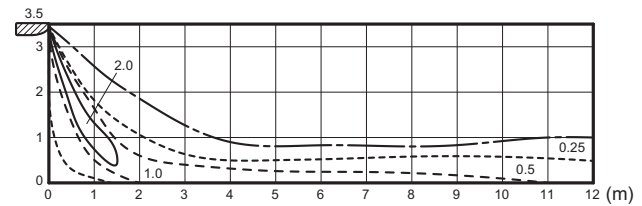
Top view
Vertical airflow direction louver: Up
Horizontal airflow direction louver: Left & Right



Side view
Vertical airflow direction louver: Up
Horizontal airflow direction louver: Center



Side view
Vertical airflow direction louver: Down
Horizontal airflow direction louver: Center



5-2. Airflow

Conversion factor:

- $1 \text{ m}^3/\text{h} = 0.2778 \text{ l/s} = 0.5886 \text{ CFM}$
- $3.6 \text{ m}^3/\text{h} = 1 \text{ l/s}$
- $1.699 \text{ m}^3/\text{h} = 1 \text{ CFM}$

■ Model: ABYG36KRTA

● Cooling

Fan speed	Airflow	
HIGH	m^3/h	1,850
	l/s	514
	CFM	1,089
MED	m^3/h	1,470
	l/s	408
	CFM	865
LOW	m^3/h	1,300
	l/s	361
	CFM	765
QUIET	m^3/h	1,050
	l/s	292
	CFM	618

● Heating

Fan speed	Airflow	
HIGH	m^3/h	1,800
	l/s	500
	CFM	1,059
MED	m^3/h	1,470
	l/s	408
	CFM	865
LOW	m^3/h	1,300
	l/s	361
	CFM	765
QUIET	m^3/h	1,050
	l/s	292
	CFM	618

■ Model: ABYG45KRTA

● Cooling

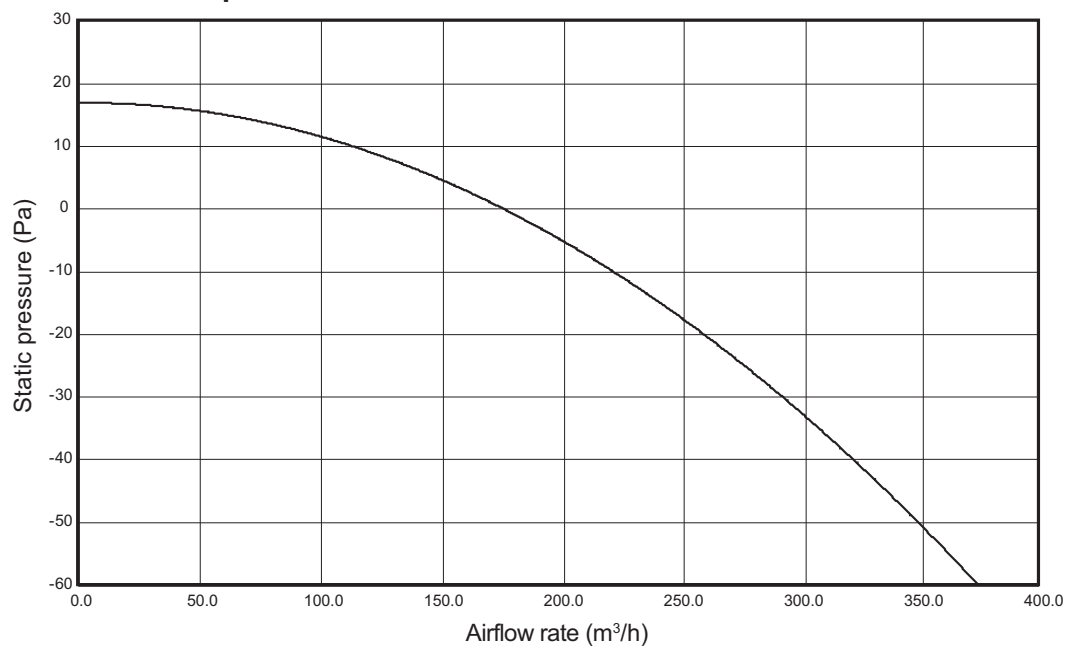
Fan speed	Airflow	
HIGH	m ³ /h	1,900
	l/s	528
	CFM	1,118
MED	m ³ /h	1,510
	l/s	419
	CFM	889
LOW	m ³ /h	1,380
	l/s	383
	CFM	812
QUIET	m ³ /h	1,130
	l/s	314
	CFM	665

● Heating

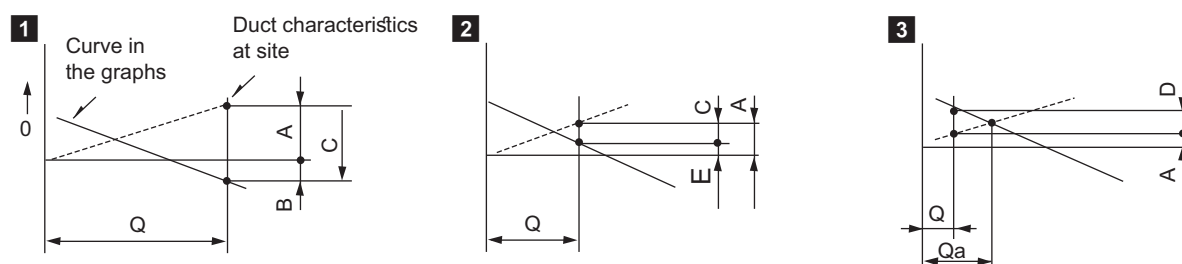
Fan speed	Airflow	
HIGH	m ³ /h	1,850
	l/s	514
	CFM	1,089
MED	m ³ /h	1,510
	l/s	419
	CFM	889
LOW	m ³ /h	1,380
	l/s	383
	CFM	812
QUIET	m ³ /h	1,130
	l/s	314
	CFM	665

5-3. Fresh air characteristics

- Airflow volume - Static pressure of Fresh air intake characteristics

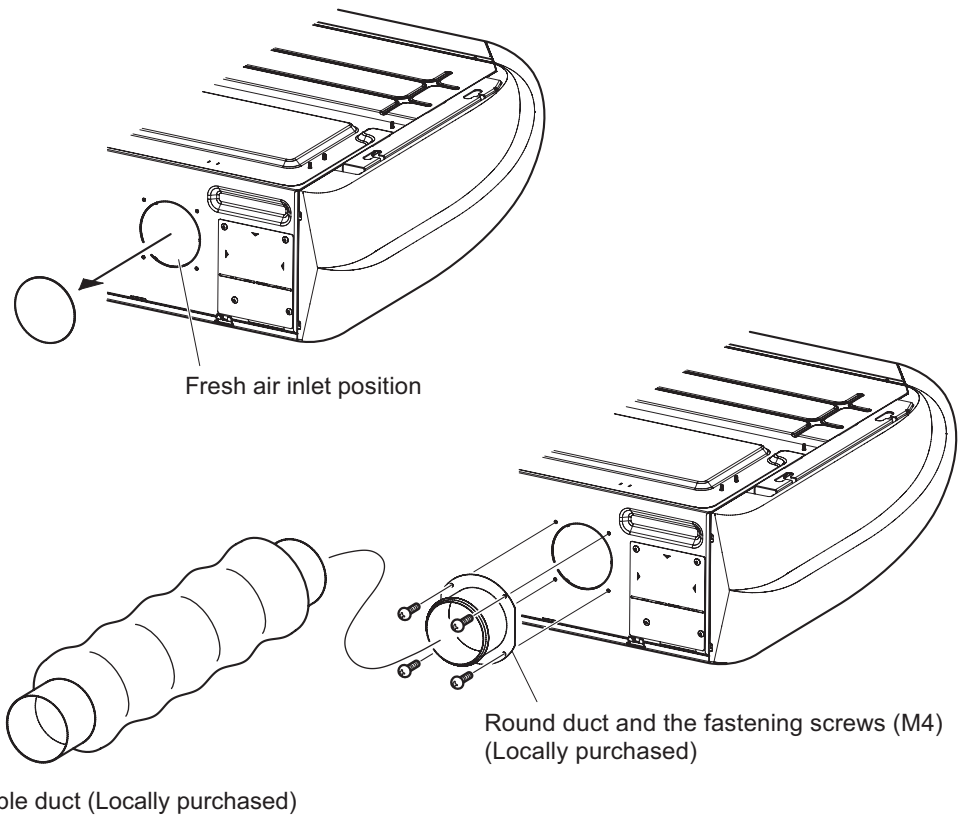


- How to read curve



- Q: Designed amount of fresh air intake (m^3/h)
- A: Static pressure loss of fresh air intake duct system with airflow amount Q (Pa)
- B: Forced static pressure at air conditioner inlet with airflow amount Q (Pa)
- C: Static pressure of booster fan with airflow amount Q (Pa)
- D: Static pressure loss increase amount of fresh air intake duct system for airflow amount Q (Pa)
- E: Static pressure of indoor unit with airflow amount Q (Pa)
- Qa: Estimated amount of fresh air intake without D (m^3/h)

- Installation



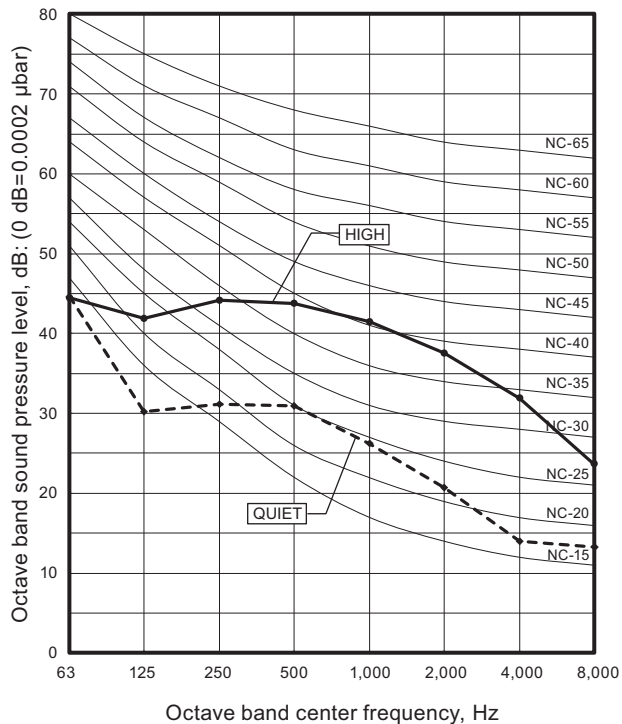
NOTE: When taking in the fresh air, thermal insulation is required to avoid the product malfunction caused by dew condensation.

6. Operation noise (sound pressure)

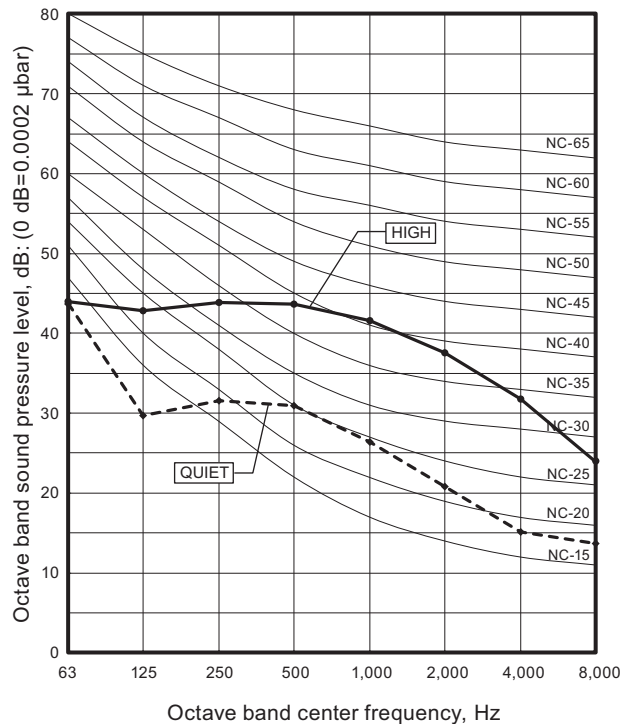
6-1. Noise level curve

Model: ABYG36KRTA

Cooling

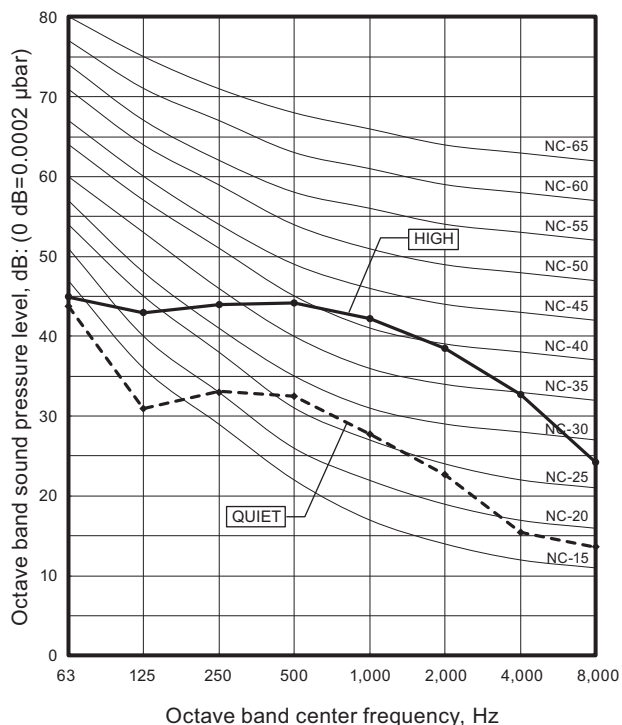


Heating

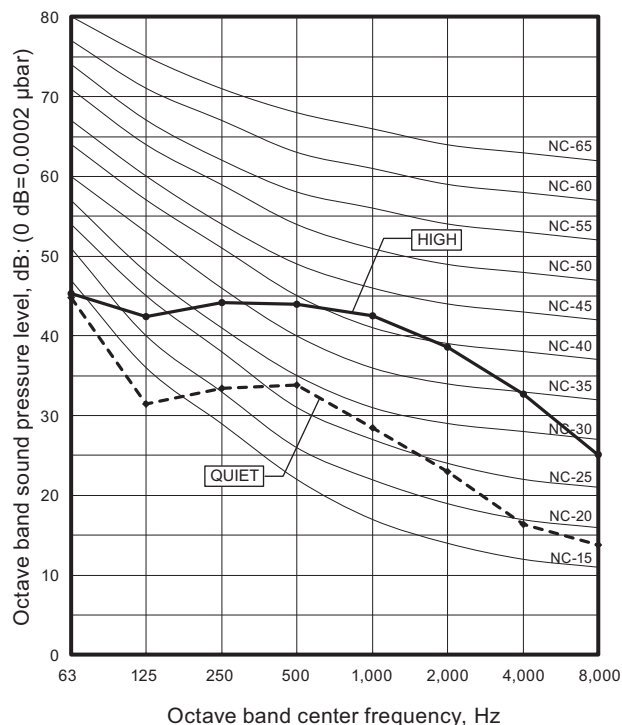


Model: ABYG45KRTA

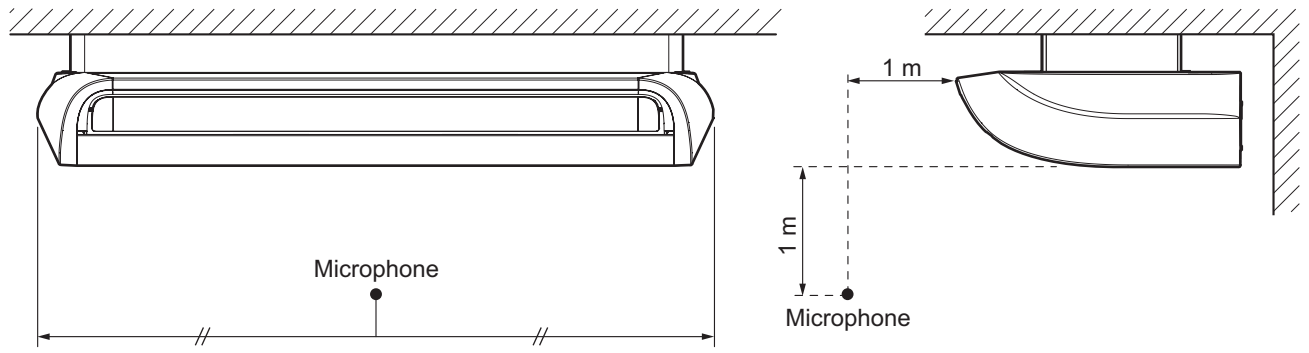
Cooling



Heating



6-2. Sound level check point



7. Safety devices

Type of protection	Protection form	Model	
		ABYG36KRTA	ABYG45KRTA
Circuit protection	Current fuse (PCB*)	250 V, 5.0 A	
Fan motor protection	Thermal protection program	Activate	135±15 °C Fan motor stop
		Reset	105±15 °C Fan motor restart

*PCB: Printed Circuit Board

8. External input and output

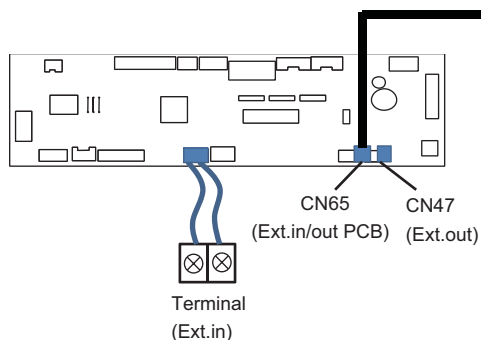


Fig. Indoor unit PCB

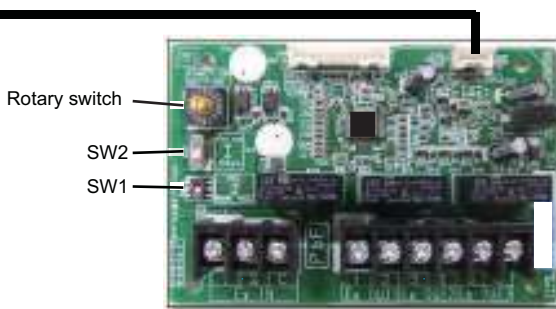


Fig. External input and output PCB

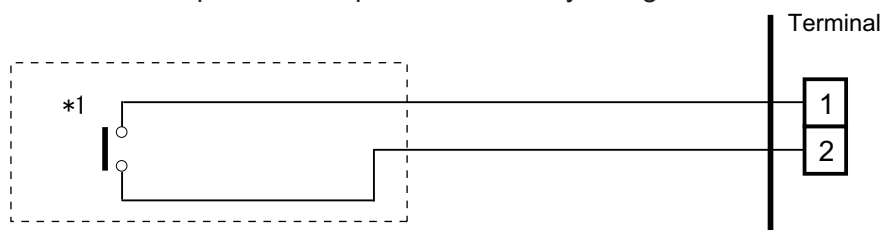
PCB	External input	External output	Connector	Input select	Input signal	External connect kit (Optional parts)
Indoor unit	Operation/Stop Forced stop	—	Terminal	Dry contact	Edge	—
	—	Operation status	CN47	—	—	UTY-XWZXZG
		Error status				
		Indoor unit fan operation status				
External heater output						
External input and output (UTY-XCSX)	Operation/Stop	—	Input 1/ Input 2	Dry contact/ Apply voltage	Edge/ Pulse	—
	Forced thermostat off		Input 1		Edge	
	—	Operation status	Output 1 Output 2 Output 3	—	—	—
		Error status				
Indoor unit status						
External heater output						

8-1. External input

- “Operation/Stop” mode or “Forced stop” mode can be selected with function setting of indoor unit.
- A twisted pair cable (22AWG) should be used. Maximum length of cable is 150 m.
- The wire connection should be separate from the power cable line.

■ Indoor unit

Indoor unit functions such as Operation/Stop can be done by using indoor unit terminals.



*1: The switch can be used on the following condition: DC 12 V to 24 V, 1 mA to 15 mA.

External input and output PCB

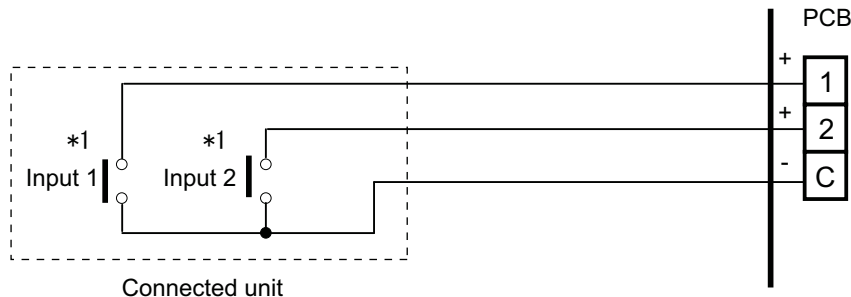
The indoor unit Operation/Stop can be set by using the input terminal on the PCB.

Input select

Use either one of these types of terminals according to the application. (Both types of terminals cannot be used simultaneously.)

- Dry contact

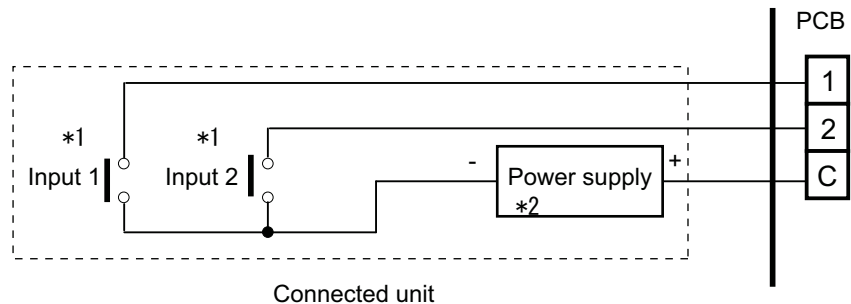
In case of internal power supply, set the slide switch of SW1 to "NON VOL" side.



*1: The switches can be used on the following condition: DC 12 V to 24 V, 1 mA to 15 mA.

- Apply voltage

In case of external power supply, set the slide switch of SW1 to "VOL" side.



*1: The switches can be used on the following condition: DC 12 V to 24 V, 1 mA to 15 mA.

*2: Make the power supply DC 12 V to 24 V 10 mA or more.

8-2. External output

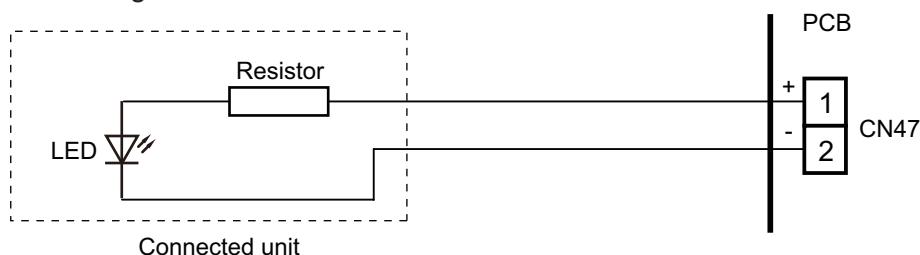
Use an external output cable with appropriate external dimension, depending on the number of cables to be installed.

Indoor unit

- A twisted pair cable (22AWG) should be used. Maximum length of cable is 25 m.
- Output voltage: High DC 12 V \pm 2 V, Low 0 V.
- Permissible current: 50 mA
- For details, refer to Chapter 8-3. "[Combination of external input and output](#)" on page 21.

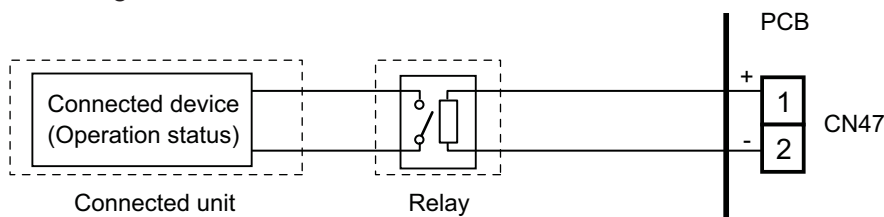
When indicator, etc. are connected directly

Example: Function setting 60 is set to "00"



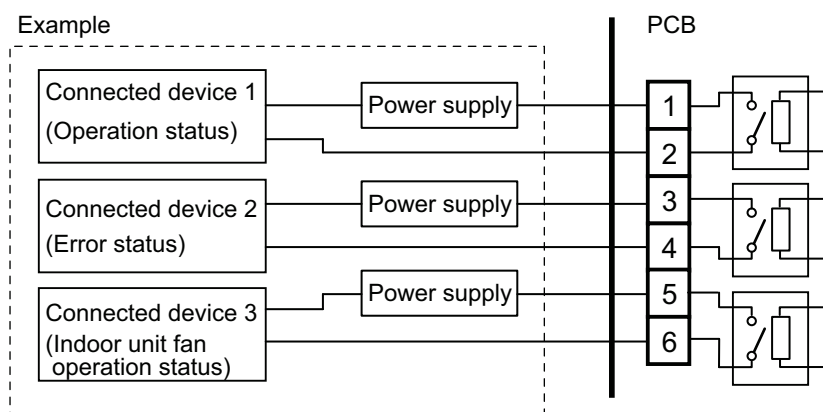
When connecting with a device equipped with a power supply

Example: Function setting 60 is set to "00"



External input and output PCB

- A twisted pair cable (22AWG) should be used.
- Permissible voltage and current: DC 5 V to 30 V / 3 A, AC 30 V to 250 V / 3 A
- For details, refer to Chapter 8-3. "[Combination of external input and output](#)" on page 21.



8-3. Combination of external input and output

By combining the function setting of the indoor unit and rotary switch setting of the External input and output PCB, you can select various combinations of functions.

Combination examples of external input and output are as follows:

Mode	Function setting	External input and output PCB (Rotary SW)	External input			
			Indoor unit Input	External input and output PCB		
			Terminal	Input 1	Input 2	Signal type
0-1	60-00	1	Operation/Stop	Operation/Stop	Not available	Edge
				Operation	Stop	Pulse
0-2	60-00	2	Operation/Stop	Forced Thermostat OFF	Not available	Edge
1—8	60-01 to 60-08	3 - 9, A	(Setting prohibited)			
9	60-09	B	Operation/Stop	Forced Thermostat OFF	Not available	Edge
10	60-10	C	Operation/Stop	Forced Thermostat OFF	Not available	Edge
11	60-11	D	Operation/Stop	Forced Thermostat OFF	Not available	Edge

Mode	Function setting	External input and output PCB (Rotary SW)	External output			
			Indoor unit Output	External input and output PCB		
			CN47	Output 1	Output 2	Output 3
0-1	60-00	1	Operation/Stop	Operation/Stop	Error status	Indoor unit fan operation status
0-2	60-00	2	Operation/Stop	Error status	Indoor unit fan operation status	External heater output
1—8	60-01 to 60-08	3 - 9, A	(Setting prohibited)			
9	60-09	B	Error status	Operation/Stop	Indoor unit fan operation status	External heater output
10	60-10	C	Indoor unit fan operation status	Operation/Stop	Error status	External heater output
11	60-11	D	External heater output	Operation/Stop	Indoor unit fan operation status	Error status

NOTE: Input of Operation/Stop depends on the setting of function setting 46.

00: Operation/Stop mode 1 (R.C. enabled)

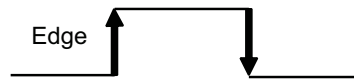
01: (Setting prohibited)

02: Forced stop

03: Operation/Stop mode 2 (R.C. disabled)

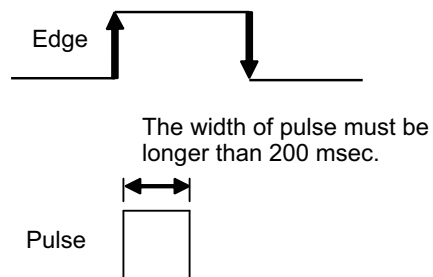
Input signal type

- Indoor unit
Input signal type is only "Edge".



- External input and output PCB
The input signal type can be selected.

Signal type (edge or pulse) can be switched by the DIP switch 2 (SW2) on the External input and output PCB.



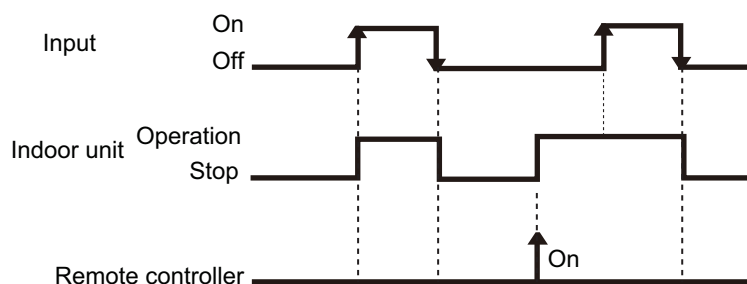
8-4. Details of function

■ Control input function

● When function setting is "Operation/Stop" mode 1

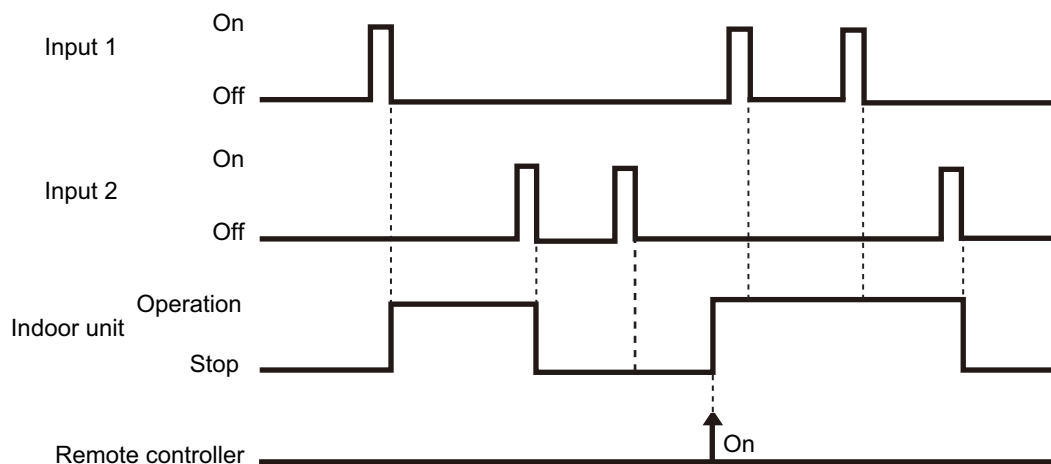
- In the case of "Edge" input

Function setting /	Rotary SW of External input and output PCB	External input		Input signal	Command
46-00	-	Input of indoor unit	Terminal	Off → On	Operation
				On → Off	Stop
	60-00 / 1	External input and output PCB	Input 1	Off → On	Operation
				On → Off	Stop



- In the case of "Pulse" input

Function setting /	Rotary SW of External input and output PCB	External input		Input signal	Command
46-00	60-00 / 1	External input and output PCB	Input 1	Pulse	Operation
			Input 2	Pulse	Stop



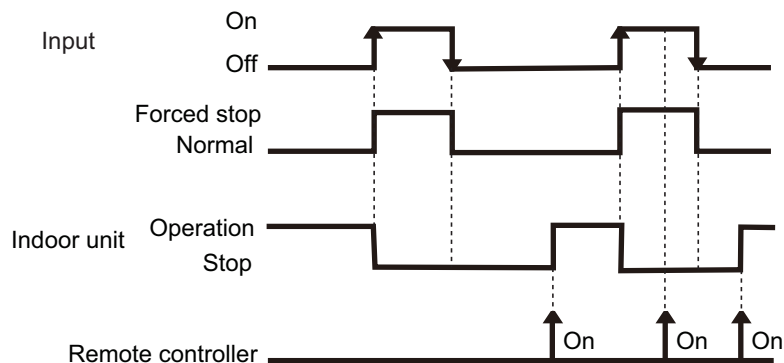
NOTES:

- The last command has priority.
- The indoor units within the same remote controller group operates in the same mode.

● When function setting is "Forced stop" mode

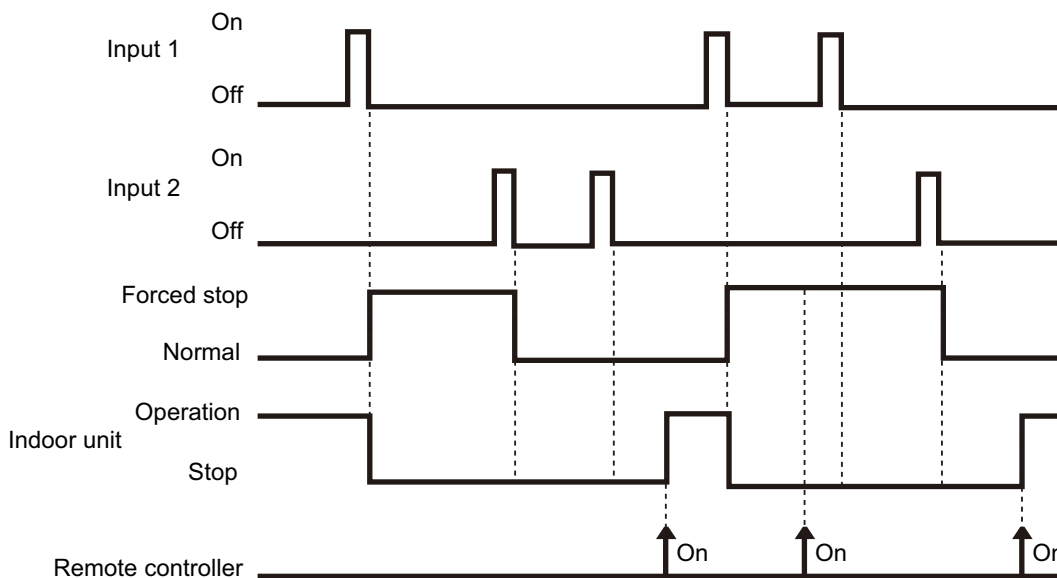
- In the case of "Edge" input

Function setting /	Rotary SW of External input and output PCB	External input		Input signal	Command
46-02	-	Input of indoor unit	Terminal	Off → On	Forced stop
				On → Off	Normal
	60-00 / 1	External input and output PCB	Input 1	Off → On	Forced stop
				On → Off	Normal



- In the case of "Pulse" input

Function setting /	Rotary SW of External input and output PCB	External input		Input signal	Command
46-02	60-00 / 1	External input and output PCB	Input 1	Pulse	Forced stop
			Input 2	Pulse	Normal



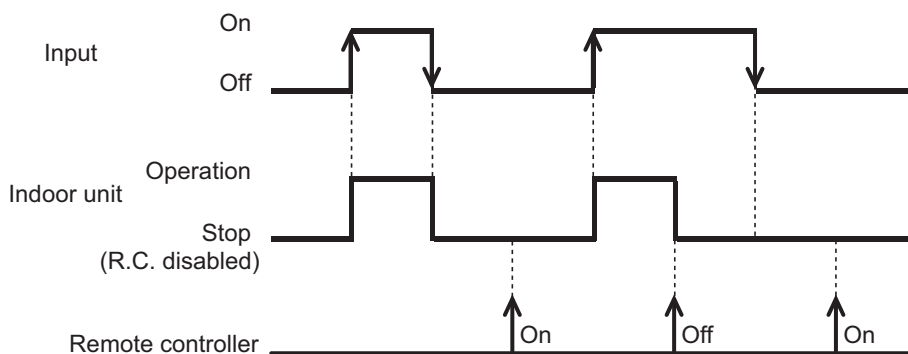
NOTES:

- When the forced stop is triggered, indoor unit stops and Operation/Stop operation by the remote controller is restricted.
- When forced stop function is used with forming a remote controller group, connect the same equipment to each indoor unit within the group.

● When function setting is "Operation/Stop" mode 2

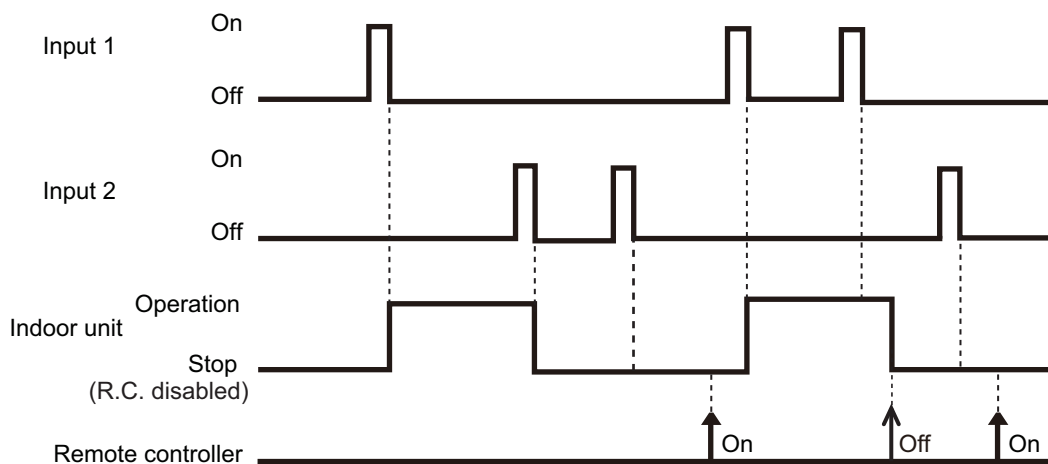
- In the case of "Edge" input

Function setting /	Rotary SW of External input and output PCB	External input		Input signal	Command
46-03	-	Input of indoor unit	Terminal	Off → On	Operation
				On → Off	Stop (R.C. disabled)
	60-00 / 1	External input and output PCB	Input 1	Off → On	Operation
				On → Off	Stop (R.C. disabled)



- In the case of "Pulse" input

Function setting /	Rotary SW of External input and output PCB	External input		Input signal	Command
46-03	60-00 / 1	External input and output PCB	Input 1	Pulse	Operation
			Input 2	Pulse	Stop (R.C. disabled)

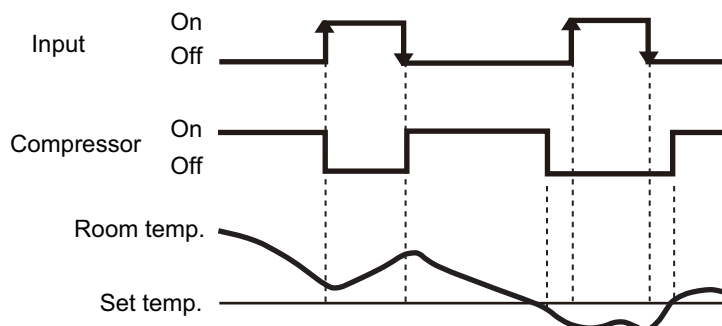


NOTES:

- When "Operation/Stop" mode 2 function is used with forming a remote controller group, connect the same equipment to each indoor unit within the group.

■ Forced thermostat off function

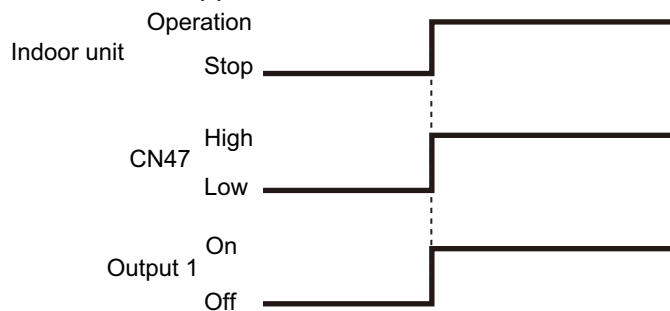
Function setting /	Rotary SW of External input and output PCB	External input		Input signal	Command
	60-00 / 2 60-09 / B 60-10 / C 60-11 / D	External input and output PCB	Input 1	Off → On	Thermostat off
				On → Off	Normal operation



■ Control output function

Function setting /	Rotary SW of External input and output PCB	External output		Output signal	Command
	60-00 / 1, 2	Output of indoor unit	CN47	Low → High High → Low	Operation Stop
	60-00 / 1 60-09 / B 60-10 / C 60-11 / D	External input and output PCB	Output 1	Off → On	Operation
				On → Off	Stop

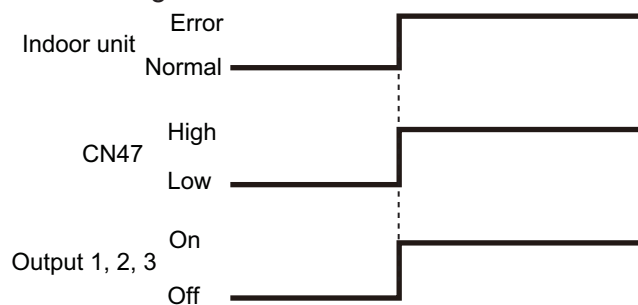
The output is low when the unit is stopped.



■ Error status

Function setting /	Rotary SW of External input and output PCB	External output		Output signal	Command
60-09 / B		Output of indoor unit	CN47	Low → High	Error
				High → Low	Normal
60-00 / 2	External input and output PCB		Output 1	Off → On	Error
				On → Off	Normal
60-00 / 1 60-10 / C			Output 2	Off → On	Error
				On → Off	Normal
60-11 / D			Output 3	Off → On	Error
				On → Off	Normal

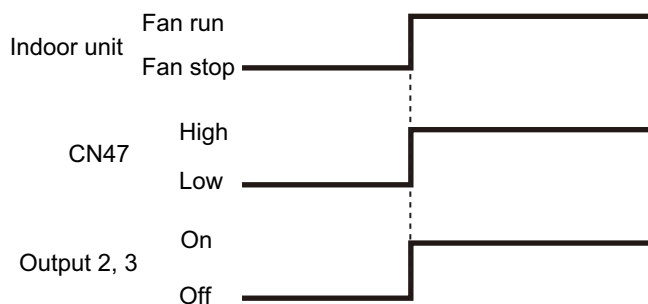
The output is ON when an error is generated for the indoor unit.



■ Indoor unit fan operation status

Function setting /	Rotary SW of External input and output PCB	External output		Output signal	Command
60-10 / C		Output of indoor unit	CN47	Low → High	Fan run
				High → Low	Fan stop
60-00 / 2 60-09 / B 60-11 / D	External input and output PCB		Output 2	Off → On	Fan run
				On → Off	Fan stop
60-00 / 1			Output 3	Off → On	Fan run
				On → Off	Fan stop

Output signal	Condition
On Low → High	The indoor unit fan is operating.
Off High → Low	The fan is stopped or during cold air prevention. During thermostat off when in dry mode operation.



External heater output

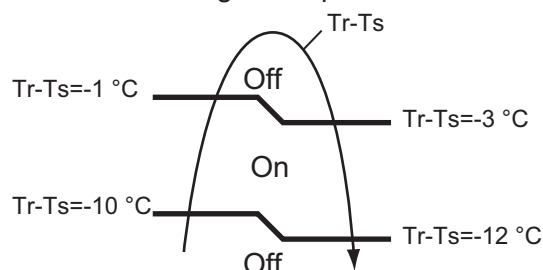
Function setting /	Rotary SW of External input and output PCB	External output		Output signal	Command
	60-11 / D	Output of indoor unit	CN47	Low → High	Heater on
				High → Low	Heater off
	60-00 / 2 60-09 / B 60-10 / C	External input and output PCB	Output 3	Off → On	Heater on
				On → Off	Heater off

Output signal	Condition
Low → High Off → On	Heater turns on as shown in diagram of heating temperature
High → Low On → Off	Heater turns off as shown in diagram of heating temperature <ul style="list-style-type: none"> • Other than Heating mode • Error occurred • Forced thermo off • Fan stop protection

Specifications of the signal output performance are as shown as follows:

Example: When set temperature (T_s) is set at 22 °C;

- And room temperature (T_r) increase above 12 °C, signal output is on.
- And T_r increase above 21 °C, signal output is off.
- And T_r decrease below 19 °C, signal output is on.
- And T_r decrease below 10 °C, signal output is off.



The output also turns off in defrost operation.

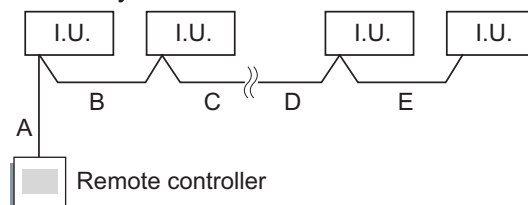
9. Group connection

Installation procedure for group control system:

A number of indoor units can be operated at the same time using a single remote controller.

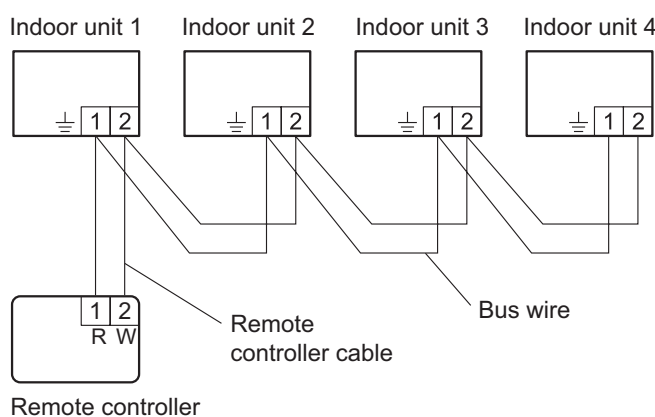
NOTE: When different type of indoor units (such as wall mounted type and cassette type, cassette type and duct type, or other combinations) are connected using group control system, some functions may no longer be available.

1. Connect up to 16 indoor units in a system.



A, B, C, D, E: Remote controller cable	
Wiring length limitation	$A + B + C + D + E \leq 500 \text{ m}$

Example of wiring method



2. Set the R.C. address. (Function setting)

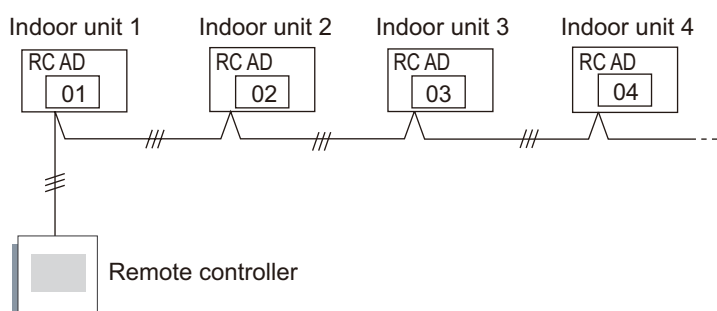
- Addresses will be automatically set when initially starting up this unit. In such a case, do not change the remote controller address for the indoor unit, and keep it at the initial setting of "00".
- Only set addresses manually when using different numbers for addresses. Set the R.C. address of each indoor unit using the function setting. (Refer to "Remote controller address setting" in ["Contents of function setting"](#) on page 30.)

NOTES:

- Do not use the same setting value.
 - Setting is reflected after the power is turned on again.
- Also set the R.C. address for the remote controller. For details, refer to the remote controller installation manual.

NOTE: In manual setting, connect up to 15 indoor units in a system.

Example of wiring method



10. Function settings

To adjust the functions of this product according to the installation environment, various types of function settings are available.

NOTE: Incorrect settings can cause a product malfunction.

10-1. Function settings by using remote controller

Some function settings can be changed on the remote controller. After confirming the setting procedure and the content of each function setting, select appropriate functions for your installation environment.

■ Setting procedure by using remote controller

Remote controller is not attached for this product. For details of the installing remote controller, refer to following information.

- Overview information: Operating manual of the remote controller
- Setting procedure: Installation manual of the remote controller

■ Contents of function setting

Each function setting listed in this section is adjustable in accordance with the installation environment.

NOTE: Setting will not be changed if invalid numbers or setting values are selected.

● Function setting list

	Function no.	Functions
1)	11	Filter sign
2)	20	Ceiling height
3)	28	Horizontal louver direction switching for dew condensation prevention
4)	30/31	Room temperature control for indoor unit sensor
5)	35/36	Room temperature control for wired remote controller sensor
6)	40	Auto restart
7)	42	Room temperature sensor switching
8)	44	Remote controller custom code
9)	46	External input control
10)	48	Room temperature sensor switching (Aux.)
11)	49	Indoor unit fan control for energy saving for cooling
12)	60	Switching functions for external output terminal

1) Filter sign

Select appropriate intervals for displaying the filter sign on the indoor unit according to the estimated amount of dust in the air of the room.

If the indication is not required, select "No indication" (03).

Function number	Setting value	Setting description	Factory setting
11	00	Standard (2,500 hours)	
	01	Long interval (4,400 hours)	
	02	Short interval (1,250 hours)	
	03	No indication	◆

2) Ceiling height

Select the appropriate ceiling height according to the place of installation.

Function number	Setting value	Setting description	Factory setting
20	00	Standard	◆
	01	High ceiling	

For the specific height for each setting value, refer to "Installation space" in Chapter 2. "Dimensions" on page 4.

3) Horizontal louver direction switching for dew condensation prevention

Automatically switches the position of the horizontal louver if the airflow direction is set at lower than the dew condensation limit position in cooling or drying operation.

Select suitable adjustment position according to the customer's preference.

Function number	Setting value	Setting description	Factory setting
28	00	Adjust to dew condensation limit position	◆
	01	Adjust to cooling standard position	

4) Room temperature control for indoor unit sensor

Depending on the installed environment, correction of the room temperature sensor may be required. Select the appropriate control setting according to the installed environment.

The temperature of the room temperature sensor is corrected as follows:

Corrected temp. = Temp. of the room temp. sensor - Correction temp. value

Example of correction:

When the temperature of the room temp. sensor is 26°C and the setting value is "03" (-1.0°C), corrected temp. will be 27°C (26°C - [-1.0°C]).

The temperature correction values show the difference from the Standard setting "00" (manufacturer's recommended value).

Function number	Setting value	Setting description	Factory setting		
30 (For cooling)	31 (For heating)	00	Standard setting	◆	
		01	No correction 0.0 °C		
		02	-0.5 °C	More cooling Less heating	
		03	-1.0 °C		
		04	-1.5 °C		
		05	-2.0 °C		
		06	-2.5 °C		
		07	-3.0 °C		
		08	-3.5 °C		
		09	-4.0 °C		
		10	+0.5 °C	Less cooling More heating	
		11	+1.0 °C		
		12	+1.5 °C		
		13	+2.0 °C		
		14	+2.5 °C		
		15	+3.0 °C		
		16	+3.5 °C		
17	+4.0 °C				

5) Room temperature control for wired remote controller sensor

Depending on the installed environment, correction of the wire remote temperature sensor may be required. Select the appropriate control setting according to the installed environment.

To change this setting, set Function 42 to Both "01".

Ensure that the Thermo Sensor icon is displayed on the remote controller screen.

Function number		Setting value	Setting description	Factory setting	
35 (For cooling)	36 (For heating)	00	Standard setting	◆	
		01	No correction 0.0°C		
		02	-0.5 °C	More cooling Less heating	
		03	-1.0 °C		
		04	-1.5 °C		
		05	-2.0 °C		
		06	-2.5 °C		
		07	-3.0 °C		
		08	-3.5 °C		
		09	-4.0 °C		
		10	+0.5 °C	Less cooling More heating	
		11	+1.0 °C		
		12	+1.5 °C		
		13	+2.0 °C		
		14	+2.5 °C		
		15	+3.0 °C		
		16	+3.5 °C		
17	+4.0 °C				

6) Auto restart

Enables or disables automatic restart after a power interruption.

Function number	Setting value	Setting description	Factory setting
40	00	Enable	◆
	01	Disable	

NOTE: Auto restart is an emergency function such as for power outage etc. Do not attempt to use this function in normal operation. Be sure to operate the unit by remote controller or external device.

7) Room temperature sensor switching

(Only for wired remote controller)

When using the wired remote controller temperature sensor, change the setting to "Both" (01).

Function number	Setting value	Setting description	Factory setting
42	00	Indoor unit	◆
	01	Both	

00: Sensor on the indoor unit is active.

01: Sensors on both indoor unit and wired remote controller are active.

NOTE: Remote controller sensor must be turned on by using the remote controller.

8) Remote controller custom code

(Only for wireless remote controller)

The indoor unit custom code can be changed. Select the appropriate custom code.

Function number	Setting value	Setting description	Factory setting
44	00	A	◆
	01	B	
	02	C	
	03	D	

9) External input control

"Operation/Stop" mode or "Forced stop" mode can be selected.

Function number	Setting value	Setting description	Factory setting
46	00	Operation/Stop mode 1	◆
	01	(Setting prohibited)	
	02	Forced stop mode	
	03	Operation/Stop mode 2	

10) Room temperature sensor switching (Aux.)

To use the temperature sensor on the wired remote controller only, change the setting to "Wired remote controller" (01).

This function will only work if the function setting 42 is set at "Both" (01).

When the setting value is set to "Both" (00), more suitable control of the room temperature is possible by setting function setting 30 and 31 too.

Function number	Setting value	Setting description	Factory setting
48	00	Both	◆
	01	Wired remote controller	

11) Indoor unit fan control for energy saving for cooling

Enables or disables the power-saving function by controlling the indoor unit fan rotation when the outdoor unit is stopped during cooling operation.

Function number	Setting value	Setting description	Factory setting
49	00	Disable	
	01	Enable	
	02	Remote controller	◆

00: When the outdoor unit is stopped, the indoor unit fan operates continuously following the setting on the remote controller.

01: When the outdoor unit is stopped, the indoor unit fan operates intermittently at a very low speed.

02: Enable or disable this function by remote controller setting.

NOTES:

- As the factory setting, this setting is initially activated.
- Set to "00" or "01" when connecting a remote controller that cannot set the Fan control for energy saving function or connecting a network converter.
To confirm if the remote controller has this setting, refer to the operating manual of each remote controller.


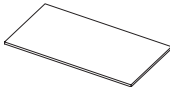
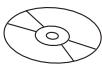
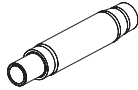







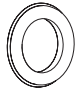


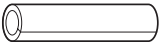
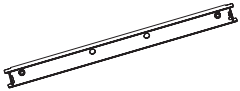
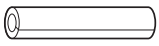

12) Switching functions for external output terminal

Functions of the external output terminal can be switched. For details, refer to “External input and output”.

Function number	Setting value	Setting description	Factory setting
60	00	Operation status	◆
	01—08	(Setting prohibited)	
	09	Error status	
	10	Indoor unit fan operation status	
	11	External heater	

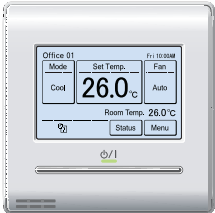
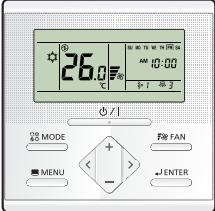

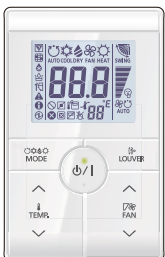


11. Accessories

11-1. Models: ABYG36KRTA and ABYG45KRTA

Part name	Exterior	Q'ty	Part name	Exterior	Q'ty
Operating manual		1	Insulation		1
Operating manual (CD-ROM)		1	Drain hose		1
Installation manual		1	Hose band		1
Template		1	Cable tie (large)		4
M10 nut A (with flange)		4	Cable tie (small)		1
M10 nut B (with spring lock washer)		4	Remote controller cable hole cap		1
Washer		8	Tapping screw (White)		6
Coupler heat insulation (large)		1	Casing guard		1
Coupler heat insulation (small)		1	Tapping screw		3

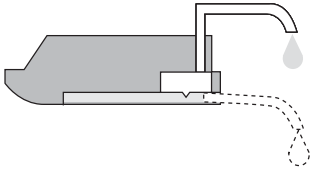
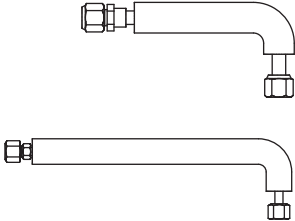
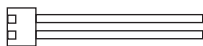

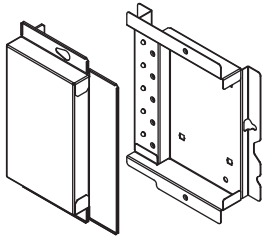



12. Optional parts


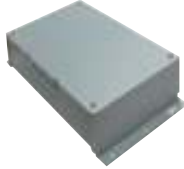

12-1. Controllers

Exterior	Part name	Model name	Summary
	Wired remote controller	UTY-RNRYZ*	Easy finger touch operation with LCD panel. Backlit LCD enables easy operation in a dark room. Wire type: Non-polar 2-wire
	Wired remote controller	UTY-RLRY	High visibility and easy operation. Room temperature can be accurately controlled using the built-in thermo sensor. Wire type: Non-polar 2-wire
	Compact wired remote controller	UTY-RCRYZ1	Compact body and easy operation. Room temperature can be accurately controlled using the built-in thermo sensor. Wire type: Non-polar 2-wire
	Simple remote controller	UTY-RSRY	Compact remote controller concentrates on the basic functions such as Start/Stop, fan control, temperature setting, and operation mode. Wire type: Non-polar 2-wire
	Simple remote controller	UTY-RHRY	Compact remote controller concentrates on the basic functions such as Start/Stop, fan control, and temperature setting. Wire type: Non-polar 2-wire
	IR receiver kit with wireless remote controller	UTY-LBTYH	Unit control is performed by wireless remote controller.

NOTE: Available functions may differ by the remote controller. For details, refer to the operation manual.

12-2. Others

Exterior	Part name	Model name	Summary
	Drain pump unit	UTR-DPB24T	Optional drain lift-up mechanism allows more flexible installation.
	Auxiliary pipe assembly	UTP-FX35A	For piping of upward direction only. <ul style="list-style-type: none"> For liquid: 9.52 mm (3/8 in) For gas: 15.88 mm (5/8 in)
	External connect kit	UTY-XWZXZG	Use to connect with various peripheral devices and air conditioner PCB. For control output port.
	External input and output PCB	UTY-XCSX	Use to connect with external devices and air conditioner PCB.
	External input and output PCB box	UTZ-GXEA	For installing the External input and output PCB.
	Wireless LAN adapter	UTY-TFSXZ1	Remotely manage an air conditioning system using mobile devices such as smartphones and tablets. For connection indoor unit with UART interface.
	Modbus converter	UTY-VMSX	For connection between indoor unit with UART interface and a Modbus open network.
	KNX converter	UTY-VKSX	For connection between indoor unit with UART interface and a KNX open network.

Exterior	Part name	Model name	Summary
	Split system converter	UTY-VTGX	This converter is required when connecting single split system to VRF network system.
	Split system converter (AC power supply)	UTY-VTGXV	This converter is required when connecting single split system to VRF network system.
	External switch controller	UTY-TERX	Air conditioner switching can be controlled by connecting other external sensor switches.

NOTE: Combined use of following optional parts and Wireless LAN adapter (UTY-TFSXZ1) is not allowed.

- External input and output PCB (UTY-XCSX)
- Modbus converter
- KNX converter

Part 2. OUTDOOR UNIT

SINGLE TYPE:

AOYG36KRTA

AOYG45KRTA

1. Specifications

Type				Inverter heat pump		
Model name				AOYG36KRTA	AOYG45KRTA	
Power supply				3N 400 V ~ 50 Hz		
Power supply intake				Outdoor unit		
Available voltage range				342—457 V		
Starting current				A		
Fan	Airflow rate	Cooling	m ³ /h	5.7	7.7	
		Heating		3,750	4,450	
	Type × Q'ty			Propeller × 1		
	Motor output		W	100	120	
Sound pressure level *1	Cooling	dB (A)		55	57	
			Heating	55	57	
Sound power level	Cooling	dB (A)		70	71	
			Heating	70	71	
Heat exchanger type	Dimensions (H × W × D)		mm	Main1: 756 × 905 × 18.20 Main2: 756 × 905 × 18.20	Main1: 966 × 905 × 18.19 Main2: 966 × 905 × 18.19 Sub: 966 × 543 × 18.19	
	Fin pitch			Main1: 1.45 Main2: 1.45	Main1: 1.45 Main2: 1.45 Sub: 1.45	
	Rows × Stages			Main1: 1 × 36 Main2: 1 × 36	Main1: 1 × 46 Main2: 1 × 46 Sub: 1 × 46	
	Pipe type			Copper		
	Fin			Type (Material) Surface treatment	Aluminum Blue fin	
Compressor	Type		DC Twin rotary			
	Motor output		W	1,500	2,180	
Refrigerant	Type (Global warming potential)		R32 (675)			
	Factory charge		g	1,900	2,700	
Refrigerant oil	Type		FW68D			
	Amount		cm ³	600	RmM68AF 800	
Enclosure	Material		Steel sheet			
	Color		Beige Approximate color of Munsell 10YR 7.5/1.0			
Dimensions (H × W × D)	Net		mm	788 × 940 × 320	998 × 940 × 320	
	Gross			966 × 1,027 × 445	1,176 × 1,027 × 445	
Weight	Net		kg	53	67	
	Gross			62	77	
Connection pipe	Size	Liquid	mm (in)	Ø 9.52 (3/8)		
		Gas		Ø 15.88 (5/8)		
	Method		Flare			
	Pre-charge length		m	30		
	Max. length			50		
Max. height difference		30				
Operation range	Cooling	°C	-15 to 46			
			Heating	-15 to 24		
Drain hose	Material		LDPE			
	Size		Ø 13.0 (I. D.), Ø 16.0 to Ø 16.7 (O. D.)			
NOTES:						
<ul style="list-style-type: none"> Specifications are based on the following conditions: <ul style="list-style-type: none"> Cooling: Indoor temperature of 27 °CDB/19 °CWB, and outdoor temperature of 35 °CDB/24 °CWB. Heating: Indoor temperature of 20 °CDB/15 °CWB, and outdoor temperature of 7 °CDB/6 °CWB. Pipe length: 5.0 m, Height difference: 0 m. (Between outdoor unit and indoor unit.) Protective function might work when using it outside the operation range. *1: Sound pressure level <ul style="list-style-type: none"> Measured values in manufacturer's anechoic chamber. Because of the surrounding sound environment, the sound levels measured in actual installation conditions might be higher than the specified values here. This data is based on EN 14511 standard. 						

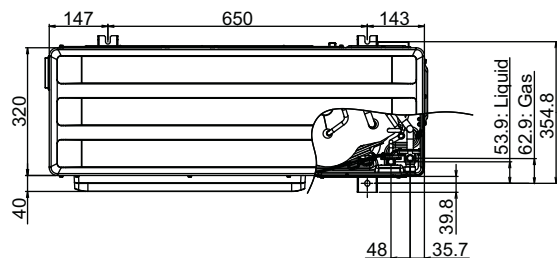
2. Dimensions

2-1. Model: AOYG36KRTA

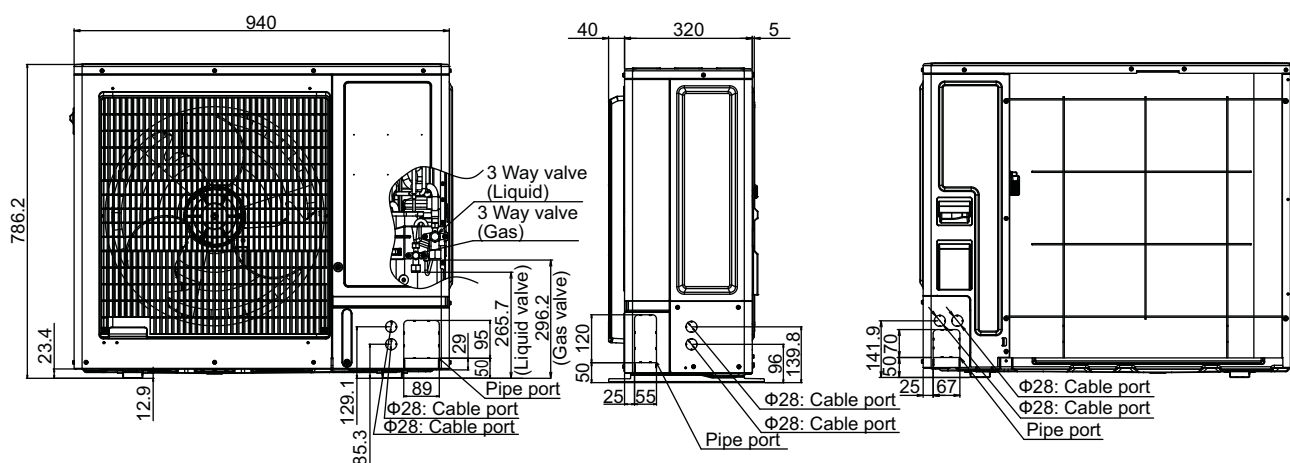
Unit: mm

OUTDOOR UNIT
AOYG36-45KRTA

OUTDOOR UNIT
AOYG36-45KRTA



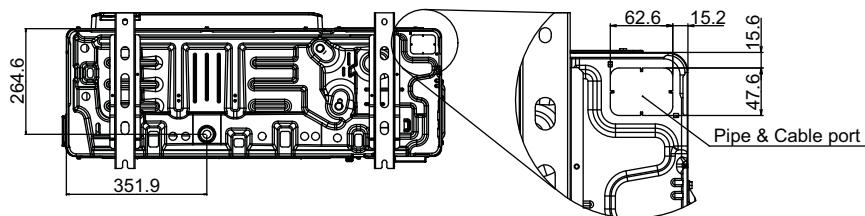
Top view



Front view

Side view

Rear view



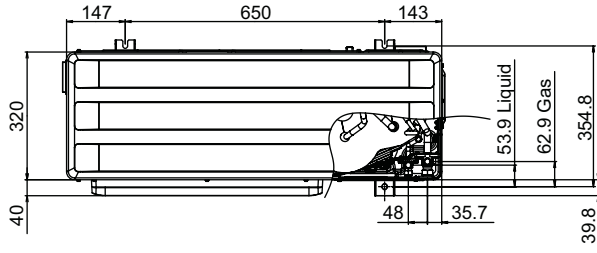
Bottom view

2-2. Model: AOYG45KRTA

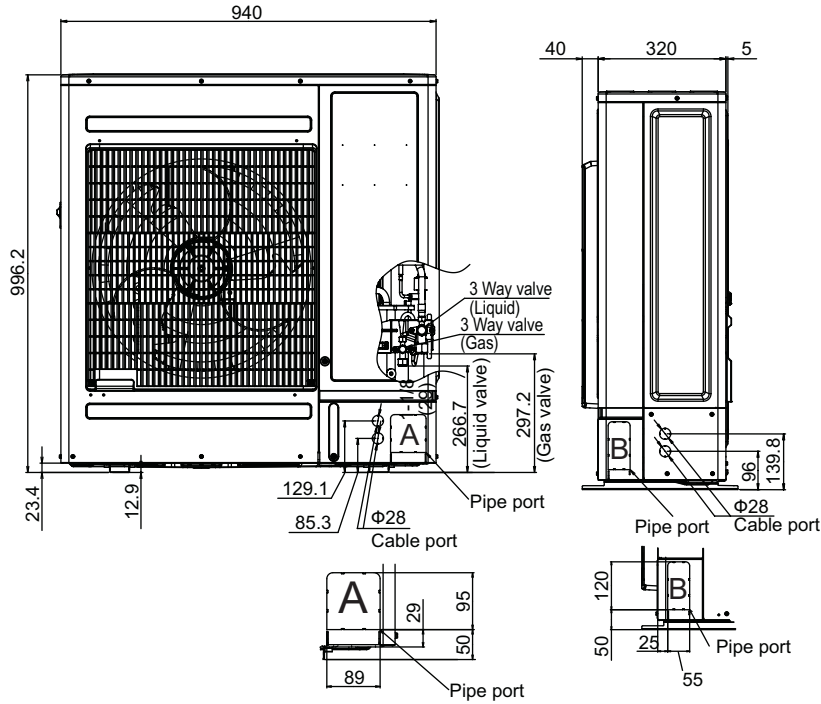
Unit: mm

OUTDOOR UNIT
AOYG36-45KRTA

OUTDOOR UNIT
AOYG36-45KRTA

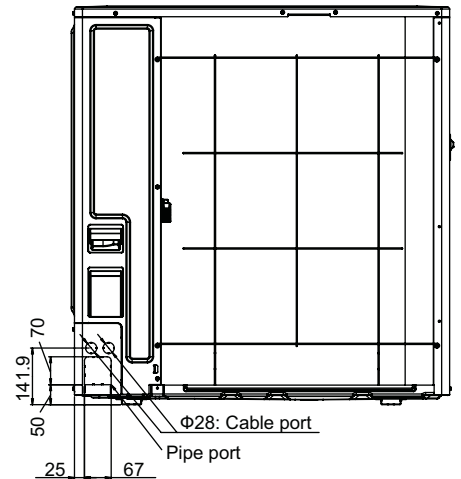


Top view

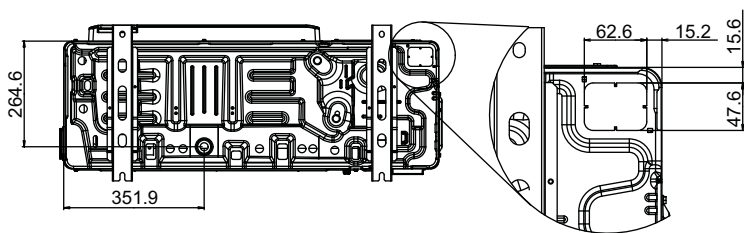


Front view

Side view



Rear view



Bottom view

Pipe & Cable port

3. Installation space

3-1. Models: AOYG36KRTA and AOYG45KRTA

■ Space requirement

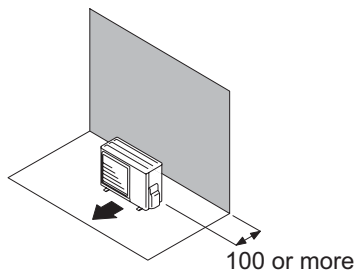
Provide sufficient installation space for product safety.

● Single outdoor unit installation

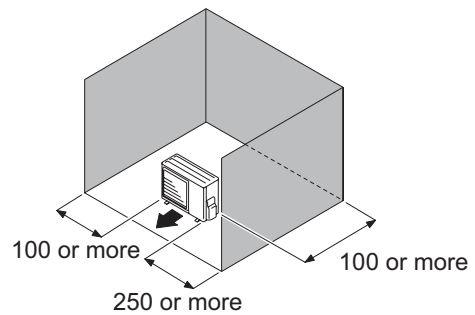
- When the upper space is open:

Unit: mm

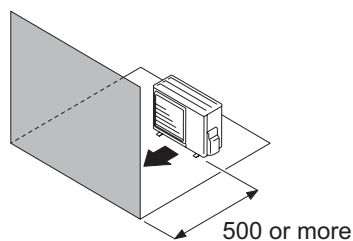
When there are obstacles at the rear only.



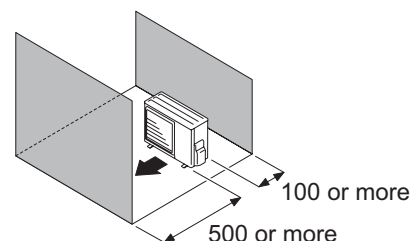
When there are obstacles at the rear and sides.



When there are obstacles at the front only.



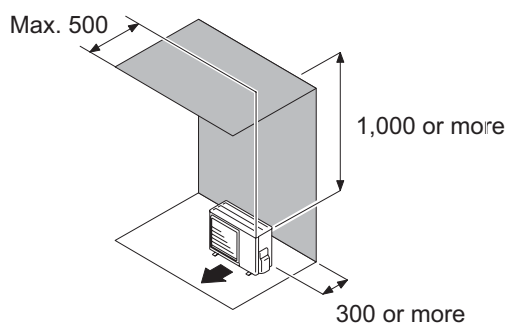
When there are obstacles at the front and rear.



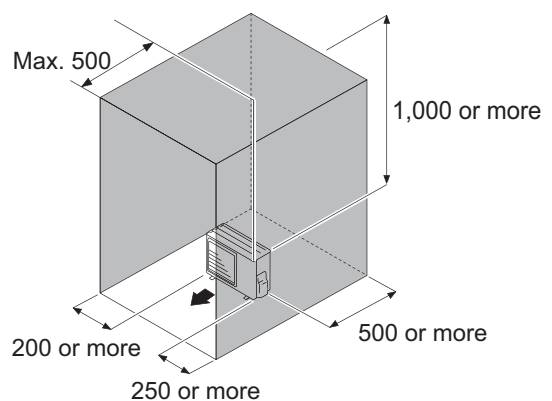
- When there is an obstruction in the upper space:

Unit: mm

When there are obstacles at the rear and above.



When there are obstacles at the rear, sides, and above.

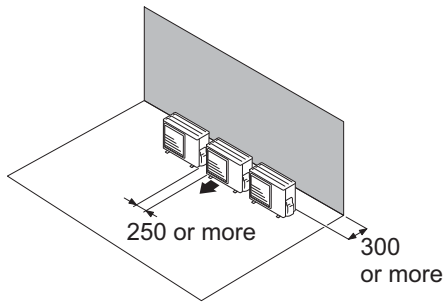


● Multiple outdoor unit installation

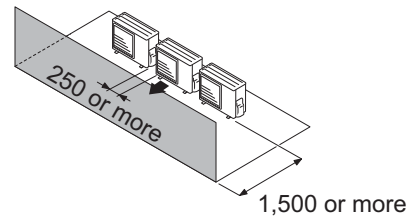
- When the upper space is open:

Unit: mm

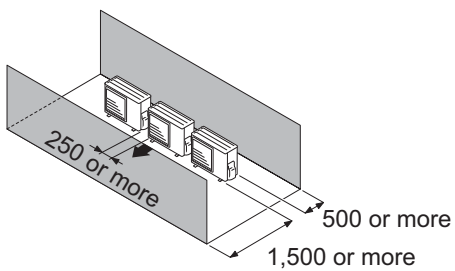
When there are obstacles at the rear only.



When there are obstacles at the front only.



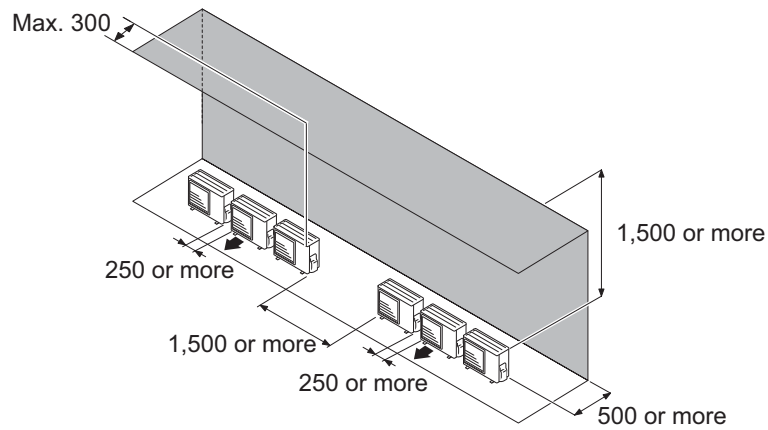
When there are obstacles at the front and rear.



- When there is an obstruction in the upper space:

Unit: mm

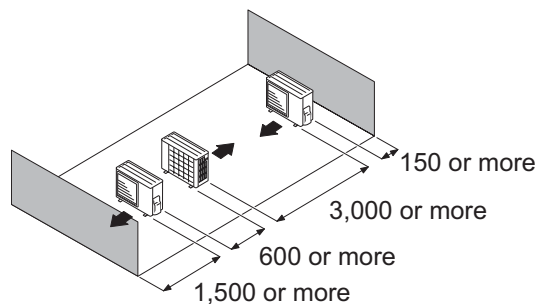
When there are obstacles at the rear and above.



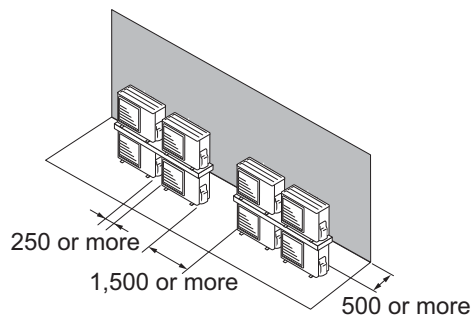
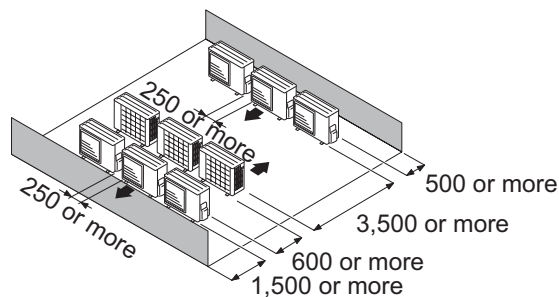
● Outdoor unit installation in multi-row

Unit: mm

Single parallel unit arrangement



Multiple parallel unit arrangement

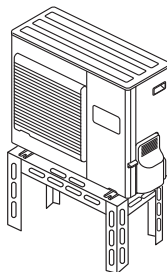


NOTES:

- If the space is larger than stated above, the condition will be the same as when there is no obstacle.
- Height above the floor level should be 50 mm or more.
- When installing the outdoor unit, be sure to open the front and left side to obtain better operation efficiency.

⚠ CAUTION

- Do not install the outdoor unit in two-stage where the drain water could freeze. Otherwise the drainage from the upper unit may form ice and cause a malfunction of the lower unit.
- When the outdoor temperature is 0 °C or less, do not use the accessory drain pipe and drain cap. If the drain pipe and drain cap are used, the drain water in the pipe may freeze in extremely cold climate. (For reverse cycle model only.)
- In area with heavy snowfall, if the inlet and outlet of the outdoor unit is blocked with snow, it might become difficult to get warm, and it is likely to cause product malfunction. Construct a canopy and a pedestal, or place the unit on a high stand that is locally installed.

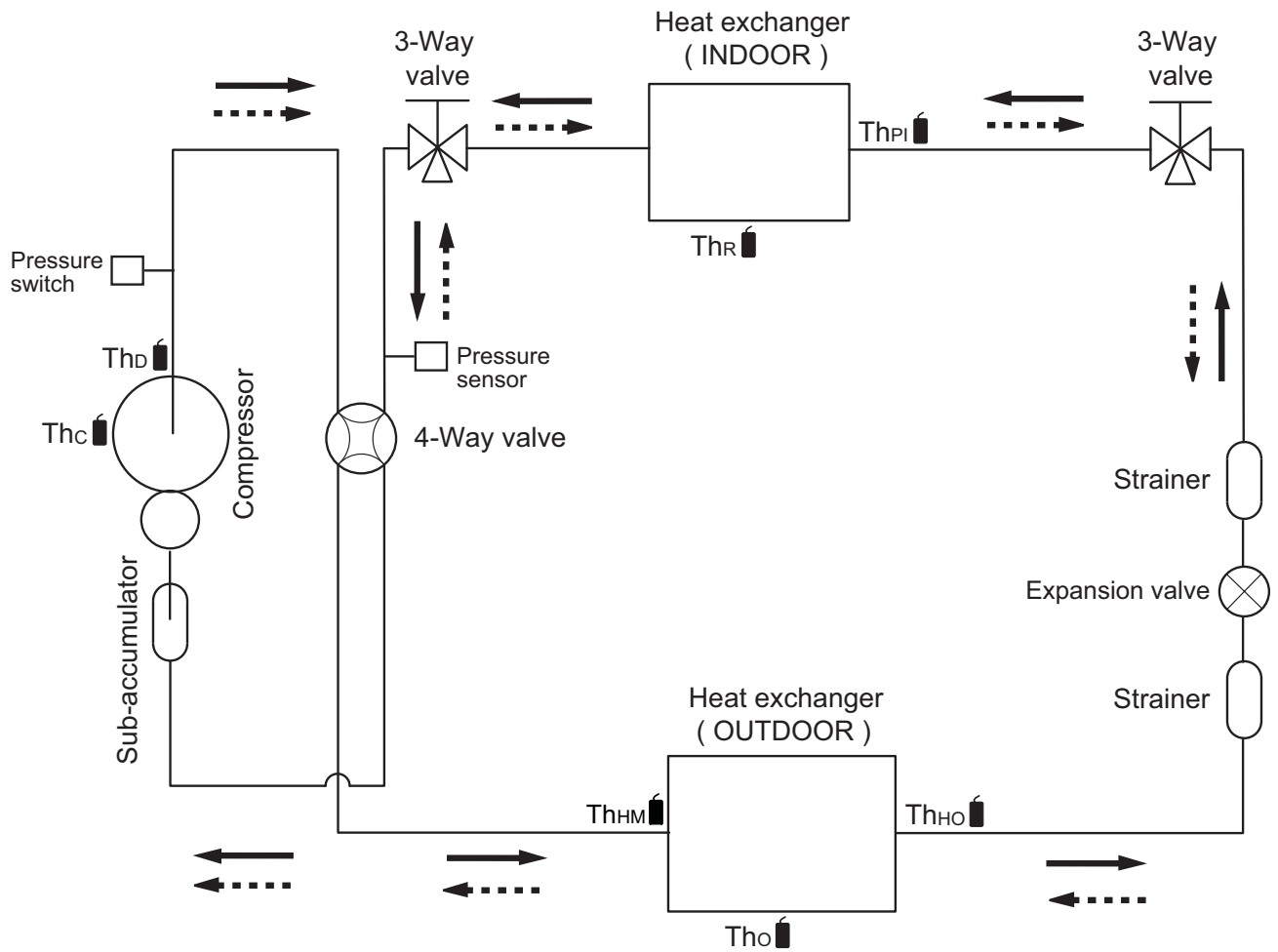


4. Refrigerant circuit

4-1. Models: AOYG36KRTA and AOYG45KRTA

OUTDOOR UNIT
AOYG36-45KRTA

OUTDOOR UNIT
AOYG36-45KRTA



—→ : Cooling
 - - - -> : Heating

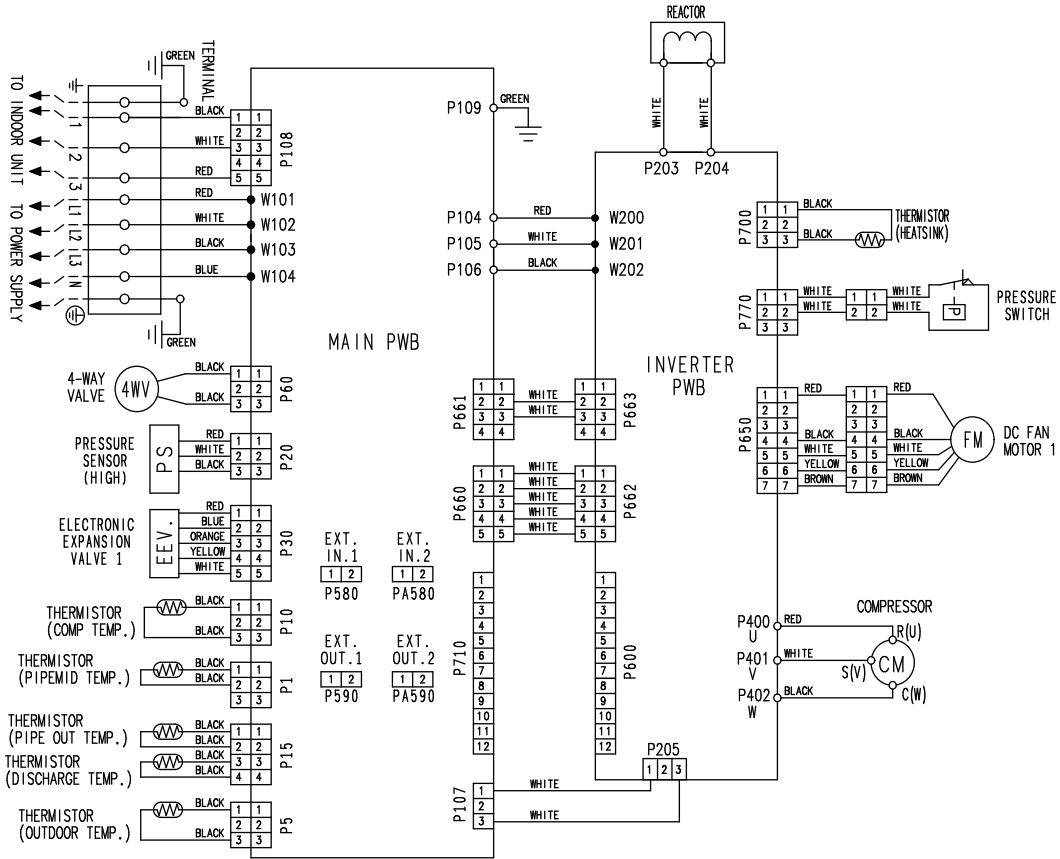
- Th_c : Thermistor (Compressor temperature)
- Th_d : Thermistor (Discharge temperature)
- Th_{HM} : Thermistor (Heat Exchanger Med temperature)
- Th_o : Thermistor (Outdoor temperature)
- Th_{HO} : Thermistor (Heat Exchanger Out temperature)
- Th_R : Thermistor (Room temperature)
- Th_{PI} : Thermistor (Pipe temperature)

5. Wiring diagrams

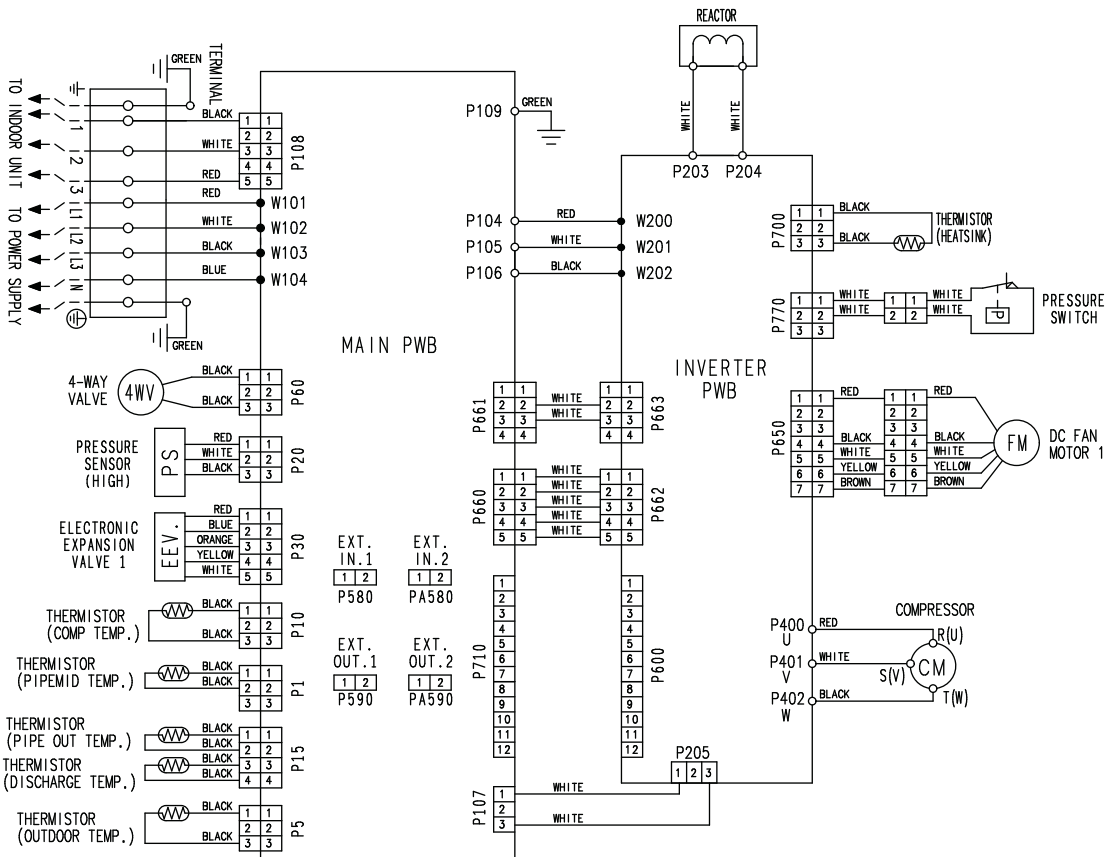
5-1. Model: AOYG36KRTA

OUTDOOR UNIT
AOYG36-45KRTA

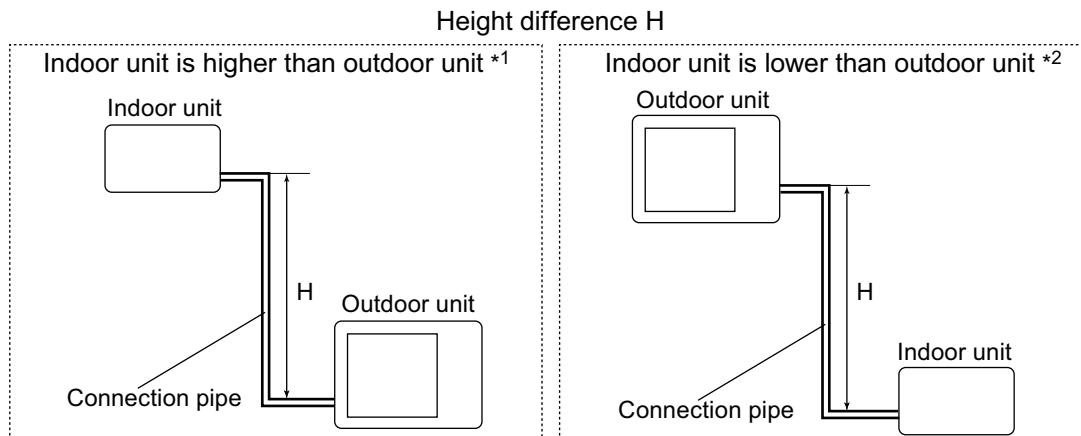
OUTDOOR UNIT
AOYG36-45KRTA



5-2. Model: AOYG45KRTA



6. Capacity compensation rate for pipe length and height difference



6-1. Model: AOYG36KRTA

NOTE: Values mentioned in the table are calculated based on the maximum capacity.

COOLING			Pipe length (m)						
			5	7.5	10	20	30	40	50
Height difference H (m)	Indoor unit is higher than outdoor unit *1	30	—	—	—	—	0.902	0.882	0.862
		20	—	—	—	0.938	0.917	0.897	0.876
		10	—	—	0.973	0.953	0.933	0.912	0.891
		7.5	—	0.988	0.977	0.957	0.936	0.916	0.895
		5	0.992	0.992	0.981	0.961	0.940	0.919	0.898
	Indoor unit is lower than outdoor unit *2	0	1.000	1.000	0.989	0.968	0.947	0.926	0.905
		-5	1.000	1.000	0.989	0.968	0.947	0.926	0.905
		-7.5	—	1.000	0.989	0.968	0.947	0.926	0.905
		-10	—	—	0.989	0.968	0.947	0.926	0.905
		-20	—	—	—	0.968	0.947	0.926	0.905
		-30	—	—	—	—	0.947	0.926	0.905

HEATING			Pipe length (m)						
			5	7.5	10	20	30	40	50
Height difference H (m)	Indoor unit is higher than outdoor unit *1	30	—	—	—	—	0.978	0.968	0.958
		20	—	—	—	0.988	0.978	0.968	0.958
		10	—	—	0.998	0.988	0.978	0.968	0.958
		7.5	—	1.000	0.998	0.988	0.978	0.968	0.958
		5	1.000	1.000	0.998	0.988	0.978	0.968	0.958
	Indoor unit is lower than outdoor unit *2	0	1.000	1.000	0.998	0.988	0.978	0.968	0.958
		-5	0.995	0.995	0.993	0.983	0.973	0.963	0.953
		-7.5	—	0.993	0.991	0.981	0.971	0.961	0.951
		-10	—	—	0.988	0.978	0.968	0.958	0.948
		-20	—	—	—	0.968	0.958	0.949	0.939
		-30	—	—	—	—	0.949	0.939	0.929

6-2. Model: AOYG45KRTA

NOTE: Values mentioned in the table are calculated based on the maximum capacity.

COOLING			Pipe length (m)						
			5	7.5	10	20	30	40	50
Height difference H (m)	Indoor unit is higher than outdoor unit *1	30	—	—	—	—	0.900	0.879	0.858
		20	—	—	—	0.937	0.915	0.894	0.872
		10	—	—	0.973	0.952	0.931	0.908	0.887
		7.5	—	0.988	0.977	0.956	0.934	0.913	0.891
		5	0.992	0.992	0.981	0.960	0.938	0.916	0.894
	Indoor unit is lower than outdoor unit *2	0	1.000	1.000	0.989	0.967	0.945	0.923	0.901
		-5	1.000	1.000	0.989	0.967	0.945	0.923	0.901
		-7.5	—	1.000	0.989	0.967	0.945	0.923	0.901
		-10	—	—	0.989	0.967	0.945	0.923	0.901
		-20	—	—	—	0.967	0.945	0.923	0.901
		-30	—	—	—	—	0.945	0.923	0.901

HEATING			Pipe length (m)						
			5	7.5	10	20	30	40	50
Height difference H (m)	Indoor unit is higher than outdoor unit *1	30	—	—	—	—	0.978	0.968	0.958
		20	—	—	—	0.988	0.978	0.968	0.958
		10	—	—	0.998	0.988	0.978	0.968	0.958
		7.5	—	1.000	0.998	0.988	0.978	0.968	0.958
		5	1.000	1.000	0.998	0.988	0.978	0.968	0.958
	Indoor unit is lower than outdoor unit *2	0	1.000	1.000	0.998	0.988	0.978	0.968	0.958
		-5	0.995	0.995	0.993	0.983	0.973	0.963	0.953
		-7.5	—	0.993	0.991	0.981	0.971	0.961	0.951
		-10	—	—	0.988	0.978	0.968	0.958	0.948
		-20	—	—	—	0.968	0.958	0.949	0.939
		-30	—	—	—	—	0.949	0.939	0.929

7. Additional charge calculation

7-1. Model: AOYG36KRTA

Refrigerant type		R32			
Refrigerant amount	g	1,900			
Total pipe length	m	30 or less	40	50 (Max.)	40 g/m
Additional charge amount	g	0	400	800	

7-2. Model: AOYG45KRTA

Refrigerant type		R32			
Refrigerant amount	g	2,700			
Total pipe length	m	30 or less	40	50 (Max.)	40 g/m
Additional charge amount	g	0	400	800	

8. Airflow

8-1. Model: AOYG36KRTA

● Cooling

m ³ /h	3,750
l/s	1,042
CFM	2,207

● Heating

m ³ /h	3,750
l/s	1,042
CFM	2,207

8-2. Model: AOYG45KRTA

● Cooling

m ³ /h	4,450
l/s	1,236
CFM	2,619

● Heating

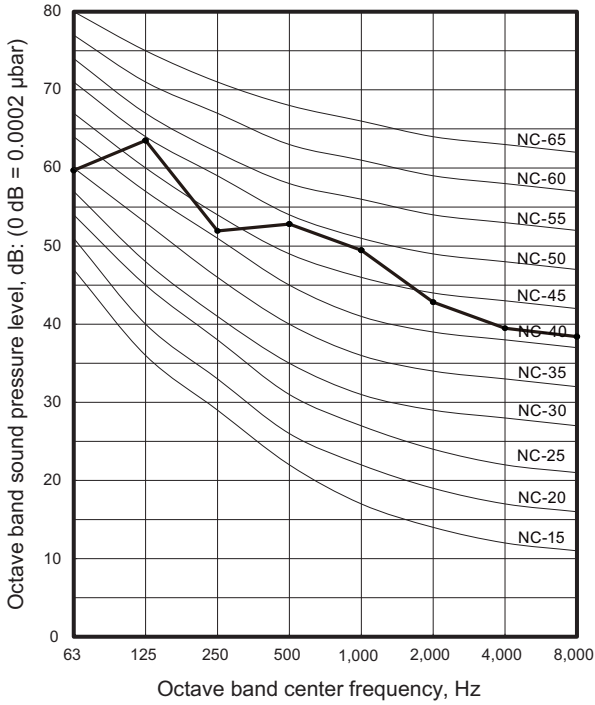
m ³ /h	4,450
l/s	1,236
CFM	2,619

9. Operation noise (sound pressure)

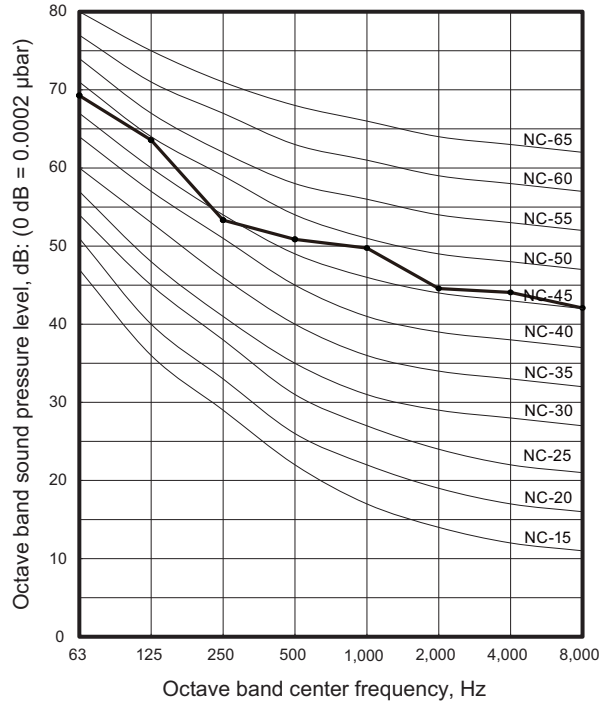
9-1. Noise level curve

Model: AOYG36KRTA

Cooling

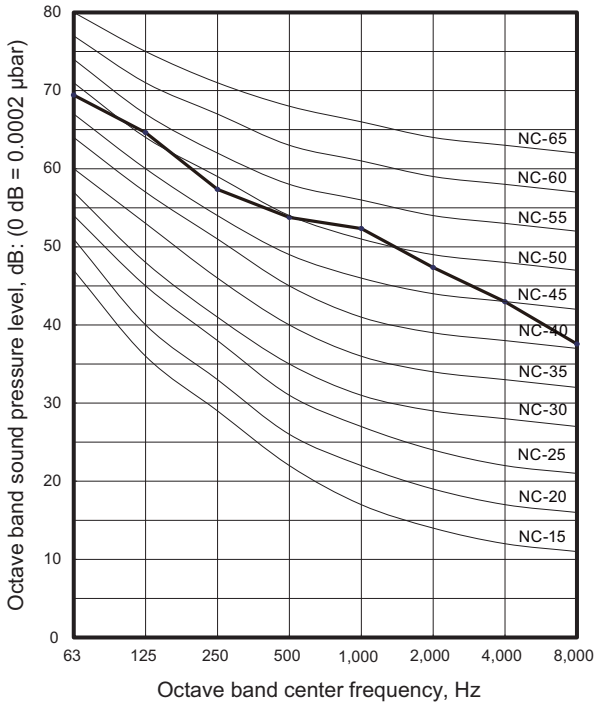


Heating

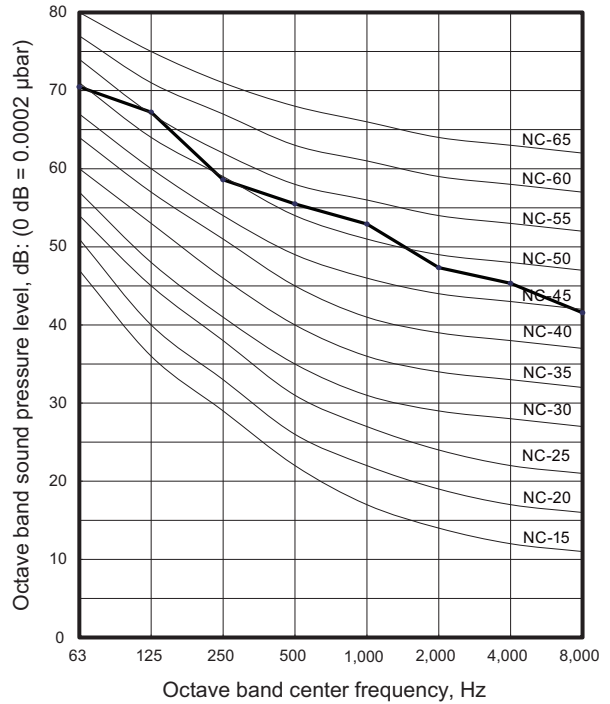


Model: AOYG45KRTA

Cooling



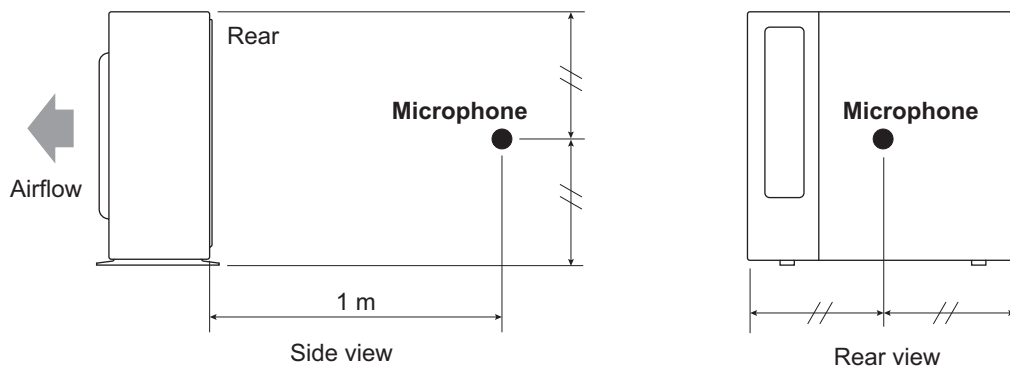
Heating



OUTDOOR UNIT
AOYG36-45KRTA

OUTDOOR UNIT
AOYG36-45KRTA

9-2. Sound level check point



NOTE: Detailed shape of the actual outdoor unit might be slightly different from the one illustrated above.

10. Electrical characteristics

Model name			AOYG36KRTA	AOYG45KRTA
Power supply	Voltage	V	3N 400 ~	
	Frequency	Hz	50	
Max operating current *1		A	10.5	14.0
Starting current		A	5.7	7.7
Wiring spec. *2	Circuit breaker current		A	16
	Power cable		mm ²	2.5
	Connection cable *3	Cross-sectional area	mm ²	1.5
		Limited wiring length	m	51

*1: Maximum current is the total current of the indoor unit and the outdoor unit.

*2: Selected sample based on Japan Electrotechnical Standards and Codes Committee E0005. As the regulations of wire size and circuit breaker differ in each country or region, select appropriate devices complied to the regional standard.

*3: Limit voltage drop to less than 2%. Increase conductor size if voltage drop is 2% or more.

11. Safety devices

Type of protection	Protection form		Model	
			AOYG36KRTA	AOYG45KRTA
Circuit protection	Current fuse (Main PCB)		250 V, 30 A × 2 250 V, 10 A × 2	
Fan motor protection	Thermal protection program	Activate	122 ±9 °C Fan motor stop	150 ±15 °C Fan motor stop
		Reset	116 +10 ₋₉ °C Fan motor restart	120 ±15 °C Fan motor restart
Compressor protection	Thermal protection program (Discharge temp.)	Activate	110 °C Compressor stop	
		Reset	After 7 minutes Compressor restart	
	Thermal protection program (Compressor temp.)	Activate	108 °C Compressor stop	
		Reset	80 °C or less Compressor restart	
	Thermal protection program (Outdoor temp.)	Activate	-20 °C Compressor stop	
		Reset	-15 °C Compressor restart	

12. External input and output

With using external input and output functions, this product can be operated inter-connectedly with an external device.

Connector	Input	Output	Remarks
P580	Low noise mode	—	See external input/output settings for details.
PA580	Peak cut mode	—	
P590	—	Error status	
PA590	—	Compressor status	

12-1. External input

With using external input function, on/off status of “Low noise mode” and “Peak cut mode” can be specified by the external signal.

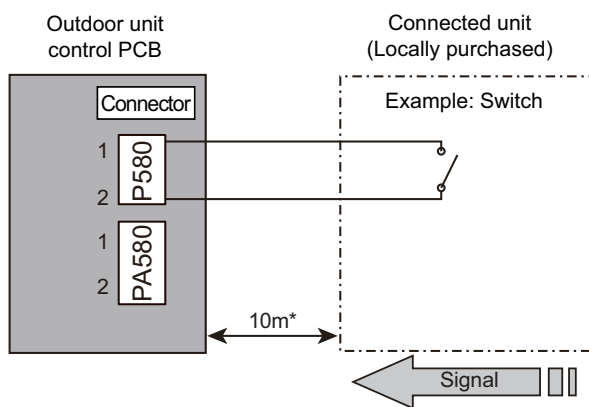
■ Low noise mode

In following condition, the operating noise of the outdoor unit reduces comparing from the one in normal operating condition:

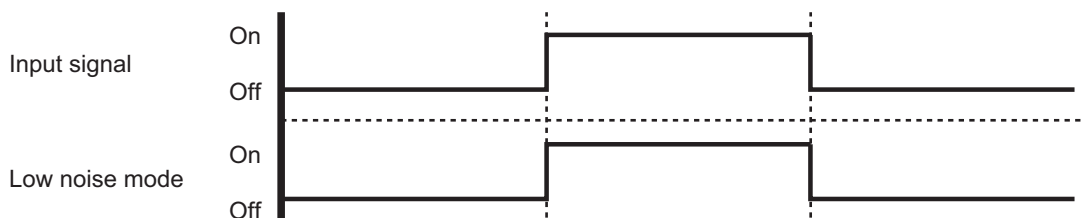
The air conditioner is set to the “Low noise mode” when closing the contact input of a commercial timer or on/off switch to a connector on the control PCB of the outdoor unit.

NOTE: Product performance may drop depending on some conditions such as the outdoor temperature.

• Circuit diagram example



- Contact capacity: DC 24 V or more, 10 mA or more.
- *: Make the distance from the PCB to the connected unit within 10 m.
- Construct a circuit as shown in this figure with using optional parts mentioned below.
- Input signal: On in “Low noise mode”
- Input signal: Off in normal operation
- To set the level of “Low noise mode”, refer to “Low noise mode” on page 62.



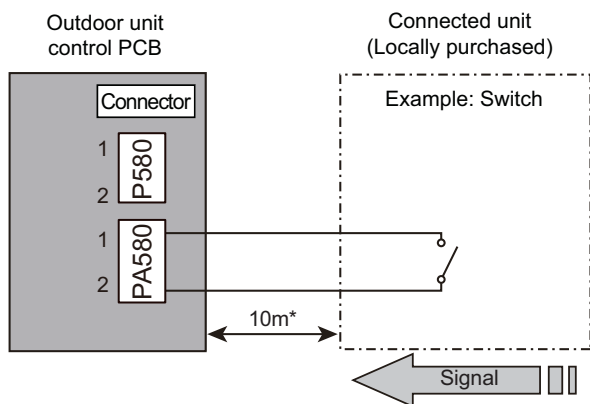
• Optional part

Part name	Model name	Exterior
External connect kit	UTY-XWZXZ3	External input wire

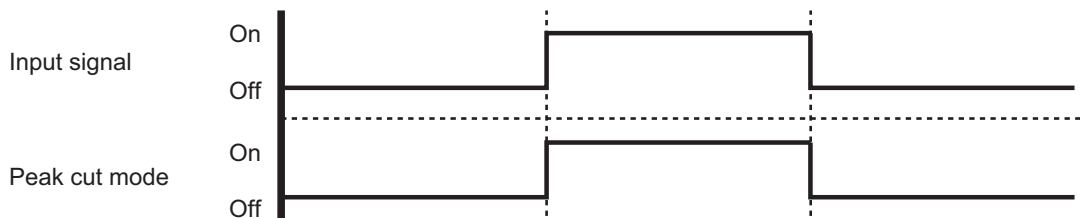
■ Peak cut mode

By performing following on-site work, operation that suppresses the current value can be enabled: The air conditioner is set to the “Peak cut mode” when closing the contact input of a commercial timer or on/off switch to a connector on the control PCB of the outdoor unit.


• Circuit diagram example



- Contact capacity: DC 24 V or more, 10 mA or more.
- *: Make the distance from the PCB to the connected unit within 10 m.
- Construct a circuit as shown in this figure with using optional parts mentioned below.
- Input signal: On in “Peak cut mode”
- Input signal: Off in normal operation
- To set the level of “Peak cut mode”, refer to [“Peak cut mode”](#) on page 63.



• Optional part

Part name	Model name	Exterior
External connect kit	UTY-XWZXZ3	External input wire 

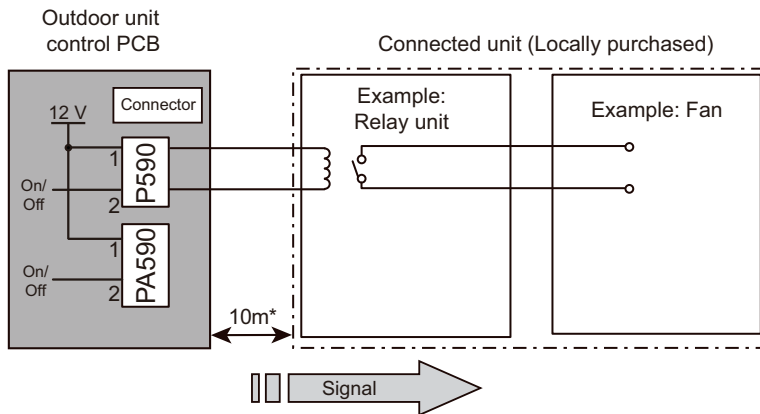
12-2. External output

With using external output function, some status signals are transmitted to the control PCB, and the related LED lamp indicates the status of this product.

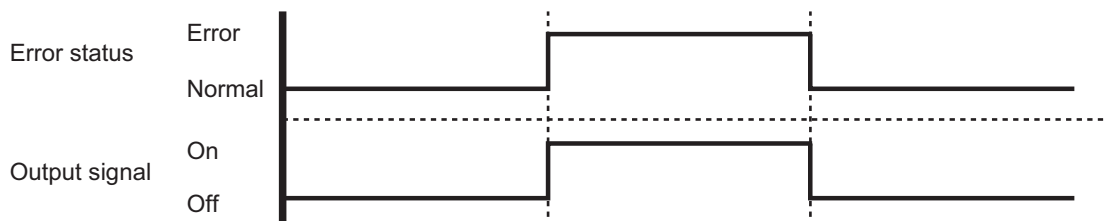
■ Error status output

Signal on air conditioner error status is generated when a malfunction occurs.

- **Circuit diagram example**



- Output voltage (Vcc): DC 12 V 50 mA or less
- *: Make the distance from the PCB to the connected unit within 10 m.



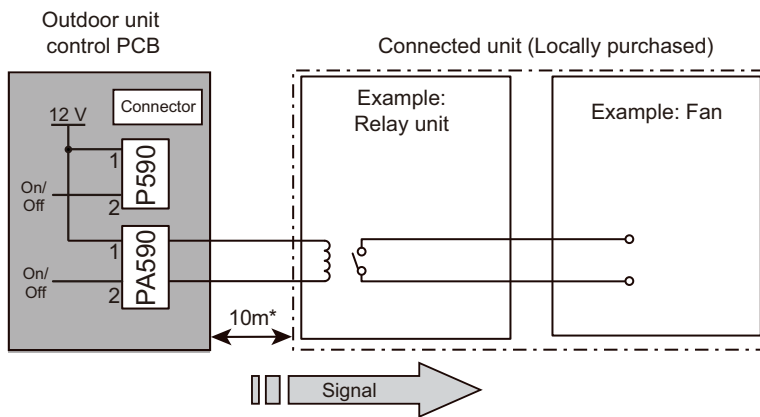
- **Optional part**

Part name	Model name	Exterior
External connect kit	UTY-XWZXZ3	External output wire

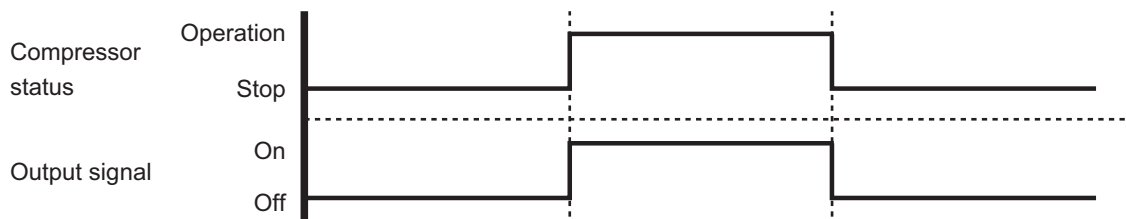
Compressor status output

Signal on compressor operation status is generated when the compressor is running.

Circuit diagram example



- Output voltage (Vcc): DC 12 V 50 mA or less
- *: Make the distance from the PCB to the connected unit within 10 m.



Optional part

Part name	Model name	Exterior
External connect kit	UTY-XWZXZ3	External output wire 

13. Function settings

Perform appropriate function setting locally according to the installation environment.

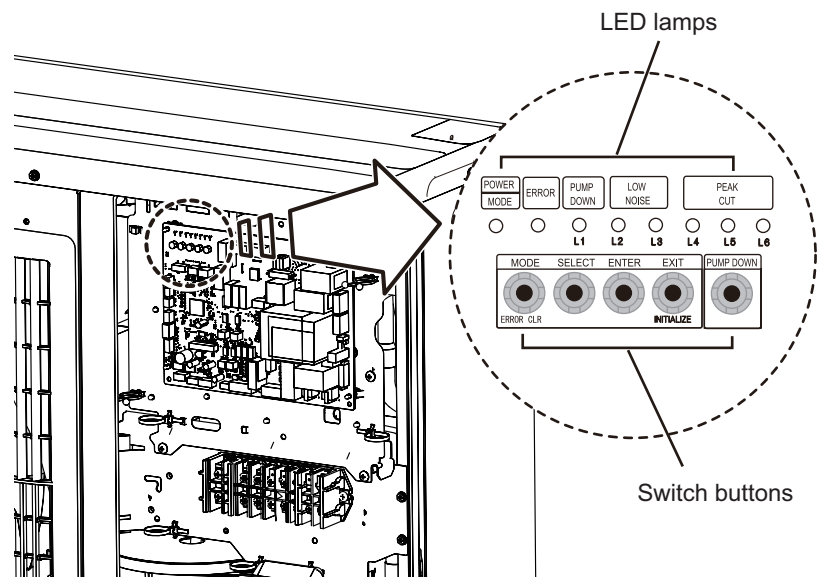
NOTE: Incorrect settings can cause a product malfunction.

⚠ CAUTION

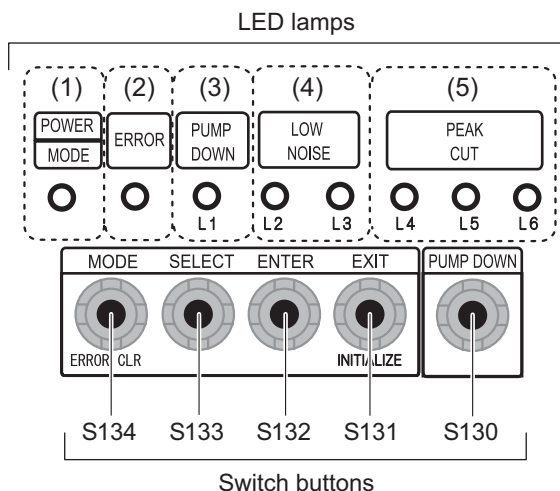
- Before setting up the switch buttons, discharge the static electricity from your body.
- Never touch the terminals or the patterns on the parts that are mounted on the PCB.

13-1. Control PCB and switch buttons location

Control PCB of the outdoor unit is located as shown in the following figure.



Switch buttons and the functions



LED lamp			Function or operation method
(1)	POWER/MODE	Green	Lights on while power on. Local setting in outdoor unit or error code is displayed with blink.
(2)	ERROR	Red	Blinks during error operation.
(3)	PUMP DOWN (L1)	Orange	Lights on during pump down operation.
(4)	LOW NOISE MODE (L2 and L3)	Orange	Lights on during "Low noise mode" when local setting is activated. (Lighting pattern of L2 and L3 indicates low noise level.)
(5)	PEAK CUT MODE (L4, L5, and L6)	Orange	Lights on during "Peak cut mode" when local setting is activated. (Lighting pattern of L4, L5, and L6 indicates peak cut level.)

Switch button		Function or operation method
S134	MODE	Switches between "Local setting" and "Error code display".
S133	SELECT	Switches between the individual "Local settings" and the "Error code displays".
S132	ENTER	Switches between the individual "Local settings" and the "Error code displays".
S131	EXIT	Returns to "Operation status display".
S130	PUMP DOWN	Starts the pump down operation.

13-2. Local setting procedure

NOTE: Before performing the function setting, be sure to stop the operation of the air conditioner.

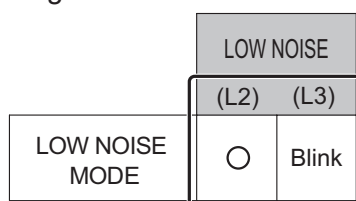
Low noise mode

1. Press the MODE switch button (S134) for 3 seconds or more to switch to "Local setting mode".
2. After confirming the LED lamp of POWER/MODE blinks 9 times, press the ENTER switch button (S132).

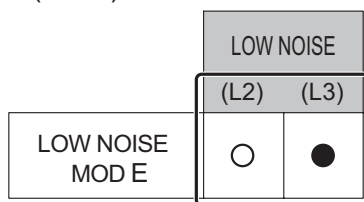
POWER MODE	ERROR	PUMP DOWN (L1)	LOW NOISE (L2) (L3)		PEAK CUT (L4) (L5) (L6)		
Blinks (9 times)	○	○	○	○	○	○	○

Sign "○": Lights off

3. Press the SELECT switch button (S133), and adjust the LED lamp as shown below. Then the LED lamp indicates the current setting.

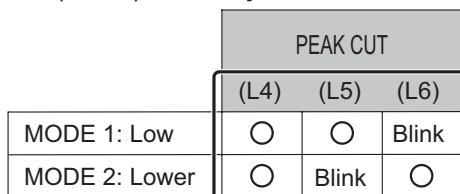


4. Press the ENTER switch button (S132).

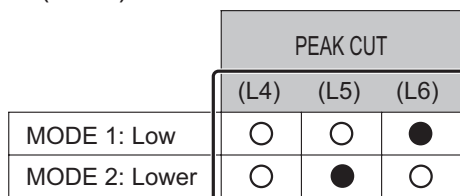


Sign "●": Lights on

5. Press the SELECT switch button (S133), and adjust the LED lamps as shown below.



6. Press the ENTER switch button (S132) and fix it.



7. To return to "Operating status display (Normal operation)", press the EXIT switch button (S131).

In case of missing how many times you pressed the SELECT and ENTER switch buttons:

1. To return to "Operation status display (Normal operation)", press the EXIT switch button once.
2. Restart from the beginning of setting procedure.

NOTE: In case of missing how many times you pressed the SELECT and ENTER switch buttons, you must redo the setting procedure. Return to "Operation status display (Normal operation)" by pressing the EXIT switch button once, and restart from the beginning of the setting procedure.

■ Peak cut mode

1. Press the MODE switch button (S134) for 3 seconds or more to switch to “Local setting mode”.
2. After confirming the LED lamp of POWER/MODE blinks 9 times, press the ENTER switch button (S132).

POWER MODE	ERROR	PUMP DOWN (L1)	LOW NOISE		PEAK CUT		
			(L2)	(L3)	(L4)	(L5)	(L6)
Blinks (9 times)	○	○	○	○	○	○	○

Sign “○”: Lights off

3. Press the SELECT switch button (S133), and adjust the LED lamp as shown below. Then the LED lamp indicates the current setting.

		LOW NOISE	
		(L2)	(L3)
PEAK CUT MODE	Blink	○	○

4. Press the ENTER switch button (S132).

		LOW NOISE	
		(L2)	(L3)
PEAK CUT MODE	●	○	○

Sign “●”: Lights on

5. Press the SELECT switch button (S133), and adjust the LED lamps as shown below.

	PEAK CUT		
	(L4)	(L5)	(L6)
0 % of rated input ratio	○	○	Blink
50 % of rated input ratio	○	Blink	○
75 % of rated input ratio	○	Blink	Blink
100 % of rated input ratio	Blink	○	○

6. Press the ENTER switch button (S132) and fix it.





	PEAK CUT		
	(L4)	(L5)	(L6)
0 % of rated input ratio	○	○	●
50 % of rated input ratio	○	●	○
75 % of rated input ratio	○	●	●
100 % of rated input ratio	●	○	○

7. To return to “Operating status display (Normal operation)”, press the EXIT switch button (S131).

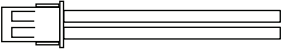
NOTE: When pressed number is lost during setting, you must redo the setting procedure. Return to “Operation status display (Normal operation)” by pressing the EXIT switch button once, and restart from the beginning of the setting procedure.

14. Accessories

14-1. Models: AOYG36KRTA and AOYG45KRTA

Part name	Exterior	Q'ty	Part name	Exterior	Q'ty
Installation manual		1	Drain cap		3
Drain pipe		1	One-touch bush		2

15. Optional parts

Exterior	Part name	Model name	Summary
	External connect kit	UTY-XWZXZ3	Use to operate the external input and output functions of outdoor unit.