



Air Conditioning Technical Data

VRV IV heat recovery



EEDEN15-200_1

REYQ-T

TABLE OF CONTENTS

REYQ-T

1	Features	2
2	Specifications	3
	Technical Specifications	3
	Electrical Specifications	4
	Technical Specifications	6
	Technical Specifications	7
	Technical Specifications	8
	Electrical Specifications	9
	Electrical Specifications	9
	Electrical Specifications	9
	Technical Specifications	10
	Electrical Specifications	11
3	Options	13
4	Combination table	14
5	Capacity tables	15
	Capacity Table Legend	15
	Integrated Heating Capacity Correction Factor	16
	Capacity Correction Factor	17
6	Dimensional drawings	22
7	Centre of gravity	23
8	Piping diagrams	24
9	Wiring diagrams	25
	Wiring Diagrams - Single Phase	25
10	External connection diagrams	29
11	Sound data	31
	Sound Power Spectrum	31
	Sound Pressure Spectrum	35
12	Installation	39
	Installation Method	39
	Fixation and Foundation of Units	40
	Refrigerant Pipe Selection	41
13	Operation range	49

1 Features

Best efficiency & comfort solution

- Fully integrated solution with heat recovery for maximum efficiency with COPs of up to 8 !
- Covers all thermal needs of a building via a single point of contact: accurate temperature control, ventilation, hot water, air handling units and Biddle air curtains
- "Free" heating and hot water production provided by transferring heat from areas requiring cooling to areas requiring heating or hot water
- The perfect personal comfort for guests/tenants via simultaneous cooling and heating
- Incorporates VRV IV standards & technologies: Variable Refrigerant Temperature, continuous heating, VRV configurator, 7 segment display and full inverter compressors, 4-side heat exchanger, refrigerant cooled PCB, new DC fan motor
- Customize your VRV for best seasonal efficiency & comfort with the weather dependant Variable Refrigerant Temperature function. Increased seasonal efficiency with up to 28%. No more cold draft by supply of high outblow temperatures
- Continuous comfort: Unique continuous heating technology makes VRV IV the best alternative to traditional heating systems
- VRV configurator software for the fastest and most accurate commissioning, configuration and customisation
- Outdoor unit display for quick on-site settings and easy read out of errors together with the indication of service parameters for checking basic functions.
- Free combination of outdoor units to meet installation space or efficiency requirements
- Fits any building as also indoor installation is possible as a result of high external static pressure of up to 78.4 Pa. Indoor installation leads to less piping length, lower installation costs, increased efficiency and better visual aesthetics
- Simplified installation & guaranteed optimal efficiency with automatic charging & testing
- Easy compliance with F-gas regulation thanks to automated refrigerant containment check
- Wide piping flexibility: 30m indoor height difference, maximum piping length: 190m, total piping length: 1,000m
- Possibility to extend the operation range in cooling down to -20°C for technical cooling operation such as server rooms
- The ability to control each conditioned zone individually keeps VRV system running costs to an absolute minimum
- Spread your installation cost by phased installation
- Keep your system in top condition via our ACNSS service: 24/7 monitoring for maximum efficiency, extended lifetime, immediate service support thanks to failure prediction and a clear understanding of operability and usage



Inverter

2 Specifications

2-1 Technical Specifications				REYQ8T	REYQ10T	REYQ12T	REYQ14T	REYQ16T	REYQ18T	REYQ20T	
Capacity range			HP	8	10	12	14	16	18	20	
Cooling capacity	Nom.	kW		22.4 (1) / 22.4 (2)	28.0 (1) / 28.0 (2)	33.5 (1) / 33.5 (2)	40.0 (1) / 40.0 (2)	45.0 (1) / 45.0 (2)	50.4 (1)	56.0 (1)	
			Heating capacity	Nom.	kW	22.4 (3) / 22.40 (4)	28.0 (3) / 28.00 (4)	33.5 (3) / 33.5 (4)	40.0 (3) / 40.00 (4)	45.0 (3) / 45.00 (4)	50.4 (3)
Power input - 50Hz	Cooling	Nom.	kW		5.31 (1) / 4.56 (2)	7.15 (1) / 6.19 (2)	9.23 (1) / 8.31 (2)	10.7 (1) / 9.61 (2)	12.8 (1) / 11.9 (2)	15.2	18.6
				Heating	Nom.	kW	4.75 (3) / 4.47 (4)	6.29 (3) / 5.47 (4)	8.05 (3) / 6.83 (4)	9.60 (3) / 9.37 (4)	11.2 (3) / 9.88 (4)
		Max.	kW	5.51 (3)	7.38 (3)	9.43 (3)	11.3 (3)	12.9 (3)	14.3	17.5	
EER				4.22 (1) / 4.92 (2)	3.92 (1) / 4.52 (2)	3.63 (1) / 4.03 (2)	3.74 (1) / 4.16 (2)	3.52 (1) / 3.79 (2)	3.32	3.01	
ESEER - Automatic				7.41	7.37	6.84	7.05	6.63	6.26	5.68	
ESEER - Standard				6.25	5.78	5.36	5.45	5.14	4.84	4.39	
COP - Max.				4.54 (3)	4.27 (3)	3.98 (3)		3.88 (3)	3.95	3.60	
COP - Nom.				4.72 (3) / 5.01 (4)	4.45 (3) / 5.12 (4)	4.16 (3) / 4.90 (4)	4.17 (3) / 4.27 (4)	4.02 (3) / 4.56 (4)	4.10	3.76	
Maximum number of connectable indoor units				64 (5)							
Indoor index connection	Min.			100	125	150	175	200	225	250	
	Nom.			200	250	300	350	400	450	500	
	Max.			260	325	390	455	520	585	650	
Dimensions	Unit	Height	mm	1,685							
		Width	mm	930			1,240				
		Depth	mm	765							
	Packed unit	Height	mm	1,820							
		Width	mm	1,000			1,310				
		Depth	mm	835							
Weight	Unit		kg	210	218	304	305	337			
	Packed unit		kg	226	234	320	321	353			
Packing	Material			Carton							
	Weight			kg	2.00			3.00			
Packing 2	Material			Wood							
	Weight			kg	17.00			18.50			
Packing 3	Material			Plastic							
	Weight			kg	0.50						
Casing	Colour			Daikin White							
	Material			Painted galvanized steel plate							
Heat exchanger	Type			Cross fin coil							
	Fin	Treatment		Anti-corrosion treatment							
Compressor	Quantity			1			2				
	Model			Inverter							
	Type			Hermetically sealed scroll compressor							
	Crankcase heater			W	33						
Compressor 2	Model			-			Inverter				
	Type			-			Hermetically sealed scroll compressor				
	Crankcase heater			W	-			33			
Fan	Type			Propeller fan							
	Quantity			1			2				
	Air flow rate	Cooling	Nom.	m ³ /min	162	175	185	223	260	251	261
	External static pressure	Max.		Pa	78						
	Discharge direction			Vertical							
Fan motor	Quantity			1			2				
	Model			Brushless DC motor							
	Output			W	750						
Fan motor 2	Model			-			Brushless DC motor				
	Output			W	-			750			
Sound power level	Cooling	Nom.	dBA	78	79	81		86		88	

2 Specifications

2

2-1 Technical Specifications				REYQ8T	REYQ10T	REYQ12T	REYQ14T	REYQ16T	REYQ18T	REYQ20T		
Sound pressure level	Cooling	Nom.	dBA	58		61		64	65	66		
Operation range	Cooling	Min.-Max.		°CDB								
	Heating	Min.-Max.		°CWB								
	Water production	Space cooling	Min.-Max.	°CDB								
		Space heating	Min.-Max.	°CDB								
	Domestic hot water	Min.-Max.	°CDB									
Refrigerant	Type	R-410A										
	Charge			kg	9.7	9.8	9.9	11.8				
				TCO ₂ EQ	20.2	20.5	20.7	24.6				
	GWP	2,087.5										
Refrigerant oil	Type	Synthetic (ether) oil										
Piping connections	Liquid	Type	Braze connection									
		OD	mm	9.52		12.7		15.9				
	Gas	Type	Braze connection									
		OD	mm	19.1	22.2	28.6						
	Discharge gas	Type	Braze connection									
		OD	mm	15.9	19.1		22.2		28.6			
	Heat insulation			Liquid, Suction gas and HP/LP gas								
	Piping length	OU - IU	Max.	m	165 (7)							
		After branch	Max.	m	90 (7)							
	Total piping length	System	Actual	m	1,000 (7)							
Level difference	OU - IU	Outdoor unit in highest position	m	90 (7)								
		Indoor unit in highest position	m	90 (7)								
	IU - IU	Max.	m	15								
Defrost method	Reversed cycle											
Safety devices	Item	01	High pressure switch									
		02	Fan driver overload protector									
		03	Inverter overload protector									
		04	PC board fuse									
PED	Category	Category II										

Standard Accessories : Installation and operation manual;

Standard Accessories : Connection pipes;

2-2 Electrical Specifications				REYQ8T	REYQ10T	REYQ12T	REYQ14T	REYQ16T	REYQ18T	REYQ20T
Power supply	Name	Y1								
	Phase	3N~								
	Frequency	Hz	50							
	Voltage	V	380-415							
Voltage range	Min.	%	-10							
	Max.	%	10							
Current	Zmax	Text	-							
	Nominal running current (RLA) - 50Hz	Cooling	A	7.7	10.5	13.8	15.6	18.5	22.0	28.5

2 Specifications

2-2 Electrical Specifications			REYQ8T	REYQ10T	REYQ12T	REYQ14T	REYQ16T	REYQ18T	REYQ20T
Current - 50Hz	Minimum Ssc value	kVa	1,216	564	615	917	924	873	970
	Minimum circuit amps (MCA)	A	15.0	21.0		28.0	32.0	36.0	40.0
	Maximum fuse amps (MFA)	A	20	25		32	40		50
	Total overcurrent amps (TOCA)	A	17.3	21.1		35.4		42.7	
	Full load amps (FLA)	Total	A	1.2	1.3	1.5	1.8	2.6	
Wiring connections - 50Hz	For power supply	Quantity	5G						
	For connection with indoor	Quantity	2						
		Remark	F1,F2						
Power supply intake			Both indoor and outdoor unit						

2 Specifications

Notes

(1) Nominal cooling capacities are based on: indoor temperature: 27°CDB, 19°CWB, outdoor temperature: 35°CDB, equivalent refrigerant piping: 5m, level difference: 0m. Data for standard efficiency series

(2) Nominal cooling capacities are based on: indoor temperature: 27°CDB, 19°CWB, outdoor temperature: 35°CDB, equivalent refrigerant piping: 5m, level difference: 0m. Data for high efficiency series, Eurovent certified

(3) Nominal heating capacities are based on: indoor temperature: 20°CDB, outdoor temperature: 7°CDB, 6°CWB, equivalent refrigerant piping: 5m, level difference: 0m. Data for standard efficiency series

(4) Nominal heating capacities are based on: indoor temperature: 20°CDB, outdoor temperature: 7°CDB, 6°CWB, equivalent refrigerant piping: 5m, level difference: 0m. Data for high efficiency series, Eurovent certified

(5) Technical cooling setting, refer to the installation manual for more information

(6) Sound power level is an absolute value that a sound source generates.

(7) RLA is based on following conditions: indoor temp. 27°CDB, 19°CWB; outdoor temp. 35°CDB

If the indoor temperature is below 20°C before the start of the leak detection function, the unit will first heat the room to reach at least 20°C

Actual number of connectable indoor units depends on the indoor unit type (VRV indoor, Hydrobox, RA indoor, etc.) and the connection ratio restriction for the system (50% ≤ CR ≤ 130%)

Field setting

Sound pressure level is a relative value, depending on the distance and acoustic environment. For more details, please refer to the sound level drawings.

Sound values are measured in a semi-anechoic room.

For detailed contents of standard accessories see Installation manual.

REMQ5 unit cannot be used as standalone unit.

Refer to refrigerant pipe selection or installation manual

MSC means the maximum current during start up of the compressor. VRV IV uses only inverter compressors. Starting current is always ≤ max. running current.

MCA must be used to select the correct field wiring size. The MCA can be regarded as the maximum running current.

MFA is used to select the circuit breaker and the ground fault circuit interrupter (earth leakage circuit breaker).

TOCA means the total value of each OC set.

FLA: nominal running current fan

Voltage range: units are suitable for use on electrical systems where voltage supplied to unit terminal is not below or above listed range limits.

Maximum allowable voltage range variation between phases is 2%.

In accordance with EN/IEC 61000-3-11, respectively EN/IEC 61000-3-12, it may be necessary to consult the distribution network operator to ensure that the equipment is connected only to a supply with $Z_{sys} \leq Z_{max}$, respectively $S_{sc} \geq$ minimum S_{sc} value.

EN/IEC 61000-3-11: European/international technical standard setting the limits for voltage changes, voltage fluctuations and flicker in public low-voltage supply systems for equipment with rated ≤ 75A

EN/IEC 61000-3-12: European/international technical standard setting the limits for harmonic currents produced by equipment connected to public low-voltage system with input current > 16A and ≤ 75A per phase

Short-circuit power

system impedance

Soundpressure and soundpower for multi units can be calculated, following below instructions.

Sound values are theoretical values based on sound results of individual installed units. Possible deviations due to variety of installation patterns are not taken into account.

Soundpressure system [dBA] = $10 \cdot \log[10^{A/10} + 10^{B/10} + 10^{C/10}]$, with Unit A = A dBA, Unit B = B dBA, Unit C = C dBA

Contains fluorinated greenhouse gases

2-3 Technical Specifications			REYQ10 T	REYQ13 T	REYQ16 T	REYQ18 T	REYQ20 T	REYQ22 T	REYQ24 T	REYQ26 T	REYQ28 T	REYQ30 T
System	Outdoor unit module 1		REMQ5T		REYQ8T			REYQ1 0T	REYQ8 T	REYQ12T		
	Outdoor unit module 2		REMQ5 T	REYQ8T		REYQ1 0T	REYQ12T		REYQ1 6T	REYQ1 4T	REYQ1 6T	REYQ1 8T
Capacity range	HP		10	13	16	18	20	22	24	26	28	30
Cooling capacity	Nom.	kW	28.0	36.4	44.8	50.4	55.9	61.5	67.4	73.5	78.5	83.9

2 Specifications

2-3 Technical Specifications				REYQ10 T	REYQ13 T	REYQ16 T	REYQ18 T	REYQ20 T	REYQ22 T	REYQ24 T	REYQ26 T	REYQ28 T	REYQ30 T
Heating capacity	Nom.		kW	28.0	36.4	44.8	50.4	55.9	61.5	67.4	73.5	78.5	83.9
	Max.		kW	32.0	41.0	50.0	56.5	62.5	69.0	75.0	82.5	87.5	94.0
Power input - 50Hz	Cooling	Nom.	kW	6.34	8.48	10.62	12.46	14.54	16.38	18.11	19.93	22.03	24.43
		Heating	Nom.	kW	5.42	7.46	9.50	11.04	12.80	14.34	15.95	17.65	19.25
	Max.		kW	6.50	8.76	11.02	12.89	14.94	16.81	18.41	20.73	22.33	23.73
EER				4.42	4.29	4.22	4.04	3.84	3.75	3.72	3.69	3.56	3.43
ESEER - Automatic				7.77	7.54	7.41	7.38	7.06	7.07	6.87	6.95	6.72	6.48
ESEER - Standard				6.55	6.36	6.25	5.98	5.68	5.54	5.46	5.41	5.23	5.03
COP - Max.				4.92	4.68	4.54	4.38	4.18	4.10	4.07	3.98	3.92	3.96
COP - Nom.				5.17	4.88	4.72	4.57	4.37	4.29	4.23	4.16	4.08	4.12
Maximum number of connectable indoor units				64									
Indoor index connection	Min.			125	162.5	200	225	250	275	300	325	350	375
	Nom.			250	325.0	400	450	500	550	600	650	700	750
	Max.			325	422.5	520	585	650	715	780	845	910	975
Piping connections	Liquid	Type		Braze connection									
		OD	mm	9.52	12.7	15.9				19.1			
	Gas	Type		Braze connection									
		OD	mm	22.2	28.6				34.9				
	Discharge gas	Type		Braze connection									
		OD	mm	19.1	22.2	28.6							
	Piping length	OU - IU	Max.	m	135					165			
		After branch	Max.	m	90								
	Total piping length	System	Actual	m	500					1,000			
	Level difference	OU - IU	Outdoor unit in highest position	m	90								
Indoor unit in highest position			m	90									
IU - IU		Max.	m	15									
PED	Category			Category II									
Continuous heating				v									

Standard Accessories : Installation and operation manual;

Standard Accessories : Connection pipes;

2-4 Technical Specifications				REYQ32 T	REYQ34 T	REYQ36 T	REYQ38 T	REYQ40 T	REYQ42 T	REYQ44 T	REYQ46 T	REYQ48 T	REYQ50 T
System	Outdoor unit module 1			REYQ16T			REYQ8 T	REYQ10T		REYQ1 2T	REYQ1 4T	REYQ16T	
	Outdoor unit module 2			REYQ1 6T	REYQ1 8T	REYQ2 0T	REYQ12T		REYQ16T				
	Outdoor unit module 3			-			REYQ18T		REYQ16T				REYQ1 8T
Capacity range			HP	32	34	36	38	40	42	44	46	48	50
Cooling capacity	Nom.		kW	90.0	95.4	101.0	106.3	111.9	118.0	123.5	130.0	135.0	140.4
Heating capacity	Nom.		kW	90.0	95.4	101.0	106.3	111.9	118.0	123.5	130.0	135.0	140.4
	Max.		kW	100.0	106.5	113.0	119.0	125.5	131.5	137.5	145.0	150.0	156.5
Power input - 50Hz	Cooling	Nom.	kW	25.6	28.0	31.4	29.74	31.58	32.75	34.83	36.3	38.4	40.8
		Heating	Nom.	kW	22.4	23.5	26.1	25.10	26.64	28.69	30.45	32.00	33.6
	Max.		kW	25.8	27.2	30.4	29.24	31.11	33.18	35.23	37.1	38.7	40.1
EER				3.52	3.41	3.22	3.57	3.54	3.60	3.55	3.58	3.52	3.44
ESEER - Automatic				6.63	6.43	6.06	6.66	6.68	6.79	6.68	6.75	6.63	6.49
ESEER - Standard				5.14	4.97	4.70	5.25	5.20	5.28	5.20	5.23	5.14	5.03
COP - Max.				3.88	3.92	3.72	4.07	4.03	3.96	3.90	3.91	3.88	3.90
COP - Nom.				4.02	4.06	3.87	4.24	4.20	4.11	4.06		4.02	4.05
Maximum number of connectable indoor units				64									

2 Specifications

2

2-4 Technical Specifications				REYQ32 T	REYQ34 T	REYQ36 T	REYQ38 T	REYQ40 T	REYQ42 T	REYQ44 T	REYQ46 T	REYQ48 T	REYQ50 T	
Indoor index connection	Min.			400	425	450	475	500	525	550	575	600	625	
	Nom.			800	850	900	950	1,000	1,050	1,100	1,150	1,200	1,250	
	Max.			1,040	1,105	1,170	1,235	1,300	1,365	1,430	1,495	1,560	1,625	
Piping connections	Liquid	Type		Braze connection										
		OD	mm	19.1										
	Gas	Type		Braze connection										
		OD	mm	34.9	41.3									
	Discharge gas	Type		Braze connection										
		OD	mm	28.6					34.9					
	Piping length	OU - IU	Max.	m	165									
		After branch	Max.	m	90									
	Total piping length	System	Actual	m	1,000									
	Level difference	OU - IU	Outdoor unit in highest position	m	90									
Indoor unit in highest position			m	90										
IU - IU		Max.	m	15										
PED	Category			Category II										
Continuous heating				v										

Standard Accessories : Installation and operation manual;

Standard Accessories : Connection pipes;

2-5 Technical Specifications				REYQ52T		REYQ54T	
System	Outdoor unit module 1			REYQ16T		REYQ18T	
	Outdoor unit module 2			REYQ18T			
	Outdoor unit module 3			REYQ18T			
Capacity range	HP		52		54		
Cooling capacity	Nom.	kW	145.8		151.2		
Heating capacity	Nom.	kW	145.8		151.2		
	Max.	kW	163.0		169.5		
Power input - 50Hz	Cooling	Nom.	kW	43.2		45.6	
		Heating	Nom.	kW	35.8		36.9
		Max.	kW	41.5		42.9	
EER				3.38		3.32	
ESEER - Automatic				6.37		6.26	
ESEER - Standard				4.93		4.84	
COP - Max.				3.93		3.95	
COP - Nom.				4.07		4.10	
Maximum number of connectable indoor units				64			
Indoor index connection	Min.			650		675	
	Nom.			1,300		1,350	
	Max.			1,690		1,755	

2 Specifications

2-5 Technical Specifications				REYQ52T		REYQ54T	
Piping connections	Liquid	Type		Braze connection			
		OD	mm	19.1			
	Gas	Type		Braze connection			
		OD	mm	41.3			
	Discharge gas	Type		Braze connection			
		OD	mm	34.9			
	Piping length	OU - IU	Max.	m	165		
After branch		Max.	m	90			
Total piping length	System	Actual	m	1,000			
Level difference	OU - IU	Outdoor unit in highest position	m	90			
		Indoor unit in highest position	m	90			
	IU - IU	Max.	m	15			
PED	Category			Category II			
Continuous heating				v			

Standard Accessories : Installation and operation manual;

Standard Accessories : Connection pipes;

2-6 Electrical Specifications				REYQ10 T	REYQ13 T	REYQ16 T	REYQ18 T	REYQ20 T	REYQ22 T	REYQ24 T	REYQ26 T	REYQ28 T	REYQ30 T
Current	Nominal running current (RLA) - 50Hz	Cooling	A	8.2	11.8	15.4	18.2	21.5	24.3	26.2	29.4	32.3	35.8
Current - 50Hz	Minimum Ssc value		kVa	2,432			1,780	1,831	1,179	2,140	1,532	1,539	1,488
	Minimum circuit amps (MCA)		A	30.0			36.0		42.0	47.0	49.0	53.0	57.0
	Maximum fuse amps (MFA)		A	40				50		63			
Wiring connections - 50Hz	For power supply	Quantity	5G										
	For connection with indoor	Quantity	2										
		Remark	F1,F2										
Power supply intake				Both indoor and outdoor unit									

2-7 Electrical Specifications				REYQ32 T	REYQ34 T	REYQ36 T	REYQ38 T	REYQ40 T	REYQ42 T	REYQ44 T	REYQ46 T	REYQ48 T	REYQ50 T
Current	Nominal running current (RLA) - 50Hz	Cooling	A	37.0	40.5	47.0	43.5	46.3	47.5	50.8	52.6	55.5	59.0
Current - 50Hz	Minimum Ssc value		kVa	1,848	1,797	1,894	2,704	2,052	2,412	2,463	2,765	2,772	2,721
	Minimum circuit amps (MCA)		A	64.0	68.0	72.0		78.0	85.0		92.0	96.0	100.0
	Maximum fuse amps (MFA)		A	80				100			125		
Wiring connections - 50Hz	For power supply	Quantity	5G										
	For connection with indoor	Quantity	2										
		Remark	F1,F2										
Power supply intake				Both indoor and outdoor unit									

2-8 Electrical Specifications				REYQ52T				REYQ54T			
Current	Nominal running current (RLA) - 50Hz	Cooling	A	62.5				66.0			
Current - 50Hz	Minimum Ssc value		kVa	2,670				2,619			
	Minimum circuit amps (MCA)		A	104.0				108.0			
	Maximum fuse amps (MFA)		A	125							
Wiring connections - 50Hz	For power supply	Quantity	5G								
	For connection with indoor	Quantity	2								
		Remark	F1,F2								
Power supply intake				Both indoor and outdoor unit							

2 Specifications

Notes

Nominal cooling capacities are based on: indoor temperature: 27°CDB, 19°CWB, outdoor temperature: 35°CDB, equivalent refrigerant piping: 5m, level difference: 0m. Data for standard efficiency series

Nominal heating capacities are based on: indoor temperature: 20°CDB, outdoor temperature: 7°CDB, 6°CWB, equivalent refrigerant piping: 5m, level difference: 0m. Data for standard efficiency series

2

If the indoor temperature is below 20°C before the start of the leak detection function, the unit will first heat the room to reach at least 20°C

Actual number of connectable indoor units depends on the indoor unit type (VRV indoor, Hydrobox, RA indoor, etc.) and the connection ratio restriction for the system (50% ≤ CR ≤ 130%)

Technical cooling setting, refer to the installation manual for more information

Field setting

Sound power level is an absolute value that a sound source generates.

Sound pressure level is a relative value, depending on the distance and acoustic environment. For more details, please refer to the sound level drawings.

Sound values are measured in a semi-anechoic room.

For detailed contents of standard accessories see Installation manual.

REMQ5 unit cannot be used as standalone unit.

Refer to refrigerant pipe selection or installation manual

RLA is based on following conditions: indoor temp. 27°CDB, 19°CWB; outdoor temp. 35°CDB

MSC means the maximum current during start up of the compressor. VRV IV uses only inverter compressors. Starting current is always ≤ max. running current.

MCA must be used to select the correct field wiring size. The MCA can be regarded as the maximum running current.

MFA is used to select the circuit breaker and the ground fault circuit interrupter (earth leakage circuit breaker).

TOCA means the total value of each OC set.

FLA: nominal running current fan

Voltage range: units are suitable for use on electrical systems where voltage supplied to unit terminal is not below or above listed range limits.

Maximum allowable voltage range variation between phases is 2%.

In accordance with EN/IEC 61000-3-11, respectively EN/IEC 61000-3-12, it may be necessary to consult the distribution network operator to ensure that the equipment is connected only to a supply with $Z_{sys} \leq Z_{max}$, respectively $S_{sc} \geq$ minimum S_{sc} value.

EN/IEC 61000-3-11: European/international technical standard setting the limits for voltage changes, voltage fluctuations and flicker in public low-voltage supply systems for equipment with rated ≤ 75A

EN/IEC 61000-3-12: European/international technical standard setting the limits for harmonic currents produced by equipment connected to public low-voltage system with input current > 16A and ≤ 75A per phase

Short-circuit power

system impedance

Contains fluorinated greenhouse gases

Soundpressure and soundpower for multi units can be calculated, following below instructions.

Sound values are theoretical values based on sound results of individual installed units. Possible deviations due to variety of installation patterns are not taken into account.

Soundpressure system [dBA] = $10 \cdot \log[10^{(A/10)} + 10^{(B/10)} + 10^{(C/10)}]$, with Unit A = A dBA, Unit B = B dBA, Unit C = C dBA

2-9 Technical Specifications				REMQ5T
Dimensions	Unit	Height	mm	1,685
		Width	mm	930
		Depth	mm	765
	Packed unit	Height	mm	1,820
		Width	mm	1,000
		Depth	mm	835
Weight	Unit	kg		210
	Packed unit	kg		226
Packing	Material			Carton
	Weight	kg		2.00
Packing 2	Material			Wood
	Weight	kg		17.00

2 Specifications

2-9 Technical Specifications				REMQ5T	
Packing 3	Material			Plastic	
	Weight	kg		0.50	
Casing	Colour			Daikin White	
	Material			Painted galvanized steel plate	
Heat exchanger	Type			Cross fin coil	
	Fin	Treatment		Anti-corrosion treatment	
Compressor	Quantity			1	
	Model			Inverter	
	Type			Hermetically sealed scroll compressor	
	Crankcase heater	W		33	
Fan	Type			Propeller fan	
	Quantity			1	
	Air flow rate	Cooling	Nom. m ³ /min	162	
	External static pressure	Max.	Pa	78	
	Discharge direction			Vertical	
Fan motor	Quantity			1	
	Model			Brushless DC motor	
	Output	W		750	
Sound power level	Cooling	Nom.	dBA	77	
Sound pressure level	Cooling	Nom.	dBA	56	
Operation range	Cooling	Min.~Max.		°CDB -5.0~43.0	
	Heating	Min.~Max.		°CWB -20~15.5	
	Water production	Space cooling	Min.~Max.	°CDB	10~43
		Space heating	Min.~Max.	°CDB	-20~20 / 24 (7)
		Domestic hot water	Min.~Max.	°CDB	-20~43
Refrigerant	Type			R-410A	
	Charge	kg		9.7	
		TCO?eq		20.2	
	GWP			2,087.5	
Refrigerant oil	Type			Synthetic (ether) oil	
Piping connections	Heat insulation			Liquid, Suction gas and HP/LP gas	
Safety devices	Item	01		High pressure switch	
		02		Fan driver overload protector	
		03		Inverter overload protector	
		04		PC board fuse	

2-10 Electrical Specifications				REMQ5T
Power supply	Name			Y1
	Phase			3N~
	Frequency	Hz		50
	Voltage	V		380-415
Voltage range	Min.	%		-10
	Max.	%		10
Current	Nominal running current (RLA) - 50Hz	Cooling	A	4.1
Current - 50Hz	Minimum Ssc value			kVa 1,216
	Minimum circuit amps (MCA)			A 15.0
	Maximum fuse amps (MFA)			A 20
	Total overcurrent amps (TOCA)			A 17.3
	Full load amps (FLA)	Total	A	1.2

3 Options

3 - 1 Options

3

REMQ5T REYQ-T

Description	Option	REMQ5*	REYQ8*	REYQ10*	REYQ12*	REYQ14*	REYQ16*	REYQ18*	REYQ20*	Multi -2-	Multi -3-
Low ambient option	EKBPH012T (*1)	0	0	0	0	-	-	-	-	0	0
Bottom plate heater	EKBPH020T (*1)	-	-	-	-	0	0	0	0	0	0
PC cable kit	EKPC CAB2	0	0	0	0	0	0	0	0	0	0
Refnet header	KHRQ23M29H	0	0	0	0	0	0	0	0	0	0
	KHRQ23M64H	-	-	-	0	0	0	0	0	0	0
	KHRQ23M75H	-	-	-	-	-	-	-	-	0	0
Refnet joint	KHRQ23M20T	0	0	0	0	0	0	0	0	0	0
	KHRQ23M29T9	0	0	0	0	0	0	0	0	0	0
	KHRQ23M64T	-	-	-	0	0	0	0	0	0	0
	KHRQ23M75T	-	-	-	-	-	-	-	-	0	0
Outdoor multi-connection kit	BHFQ23P907	-	-	-	-	-	-	-	-	0	-
	BHFQ23P1357	-	-	-	-	-	-	-	-	-	0
Single -BSVQ- unit (*2) (*3)	BS1Q10A	0	0	0	0	0	0	0	0	0	0
	BS1Q16A	0	0	0	0	0	0	0	0	0	0
	BS1Q25A	0	0	0	0	0	0	0	0	0	0
Multi -BS- unit	BS4Q14A	0	0	0	0	0	0	0	0	0	0
	BS6Q14A	0	0	0	0	0	0	0	0	0	0
	BS8Q14A	0	0	0	0	0	0	0	0	0	0
	BS10Q14A	0	0	0	0	0	0	0	0	0	0
	BS12Q14A	0	0	0	0	0	0	0	0	0	0
	BS16Q14A	0	0	0	0	0	0	0	0	0	0

Notes

1. One bottom plate heater per outdoor unit required.
2. Sound reduction kit -EKBSVQLNP.
One sound reduction kit per -BSVQ- box required.
3. Technical cooling is available.
4. Multi-tenancy is available

3D088010

4 Combination table

4 - 1 Combination Table

REYQ-T

		5HP	8HP	10HP	12HP	14HP	16HP	18HP	20HP
Non-continuous heating	REMQ5* (*1)	1							
	REYQ8*		1						
	REYQ10*			1					
	REYQ12*				1				
	REYQ14*					1			
	REYQ16*						1		
	REYQ18*							1	
REYQ20*								1	
Continuous heating -2- outdoor units	REYQ10*	2							
	REYQ13*	1	1						
	REYQ16*		2						
	REYQ18*		1	1					
	REYQ20*		1		1				
	REYQ22*			1	1				
	REYQ24*		1				1		
	REYQ26*				1	1			
	REYQ28*				1		1		
	REYQ30*				1			1	
	REYQ32*						2		
REYQ34*						1	1		
REYQ36*						1		1	
Continuous heating -3- outdoor units	REYQ38*		1		1			1	
	REYQ40*			1	1			1	
	REYQ42*			1			2		
	REYQ44*				1		2		
	REYQ46*					1	2		
	REYQ48*						3		
	REYQ50*						2	1	
	REYQ52*						1	2	
	REYQ54*							3	

- Notes
1. The -REMQ5*- unit cannot be used as a standalone unit and may only be used in standard combinations.
 2. Standard and free combinations have different piping restrictions.
 3. Never combine more than -3- units to create a multi-combination.

3D088011

REYQ-T

Indoor unit combination pattern	VRV indoor unit	VRV indoor unit Cooling only unit	LT Hydrobox unit	HT Hydrobox unit	AHU (*3)
VRV indoor unit	o	o	o	o	o
VRV indoor unit Cooling only unit	o	o	o	Not allowed	o
LT Hydrobox unit	o	o	o (*1)	o (*1)	Not allowed
HT Hydrobox unit	o	Not allowed	o (*1)	o (*1)	Not allowed
AHU (*3)	o	o	Not allowed	Not allowed	o (*2)

- Notes
1. -Hydroboxes- indoor units may not be used without a -VRV- indoor unit
Refer to the connection ratio restrictions.
 2. -AHUs-/air curtains may not be used without a -VRV- indoor unit.
Refer to the connection ratio restrictions.
 3. The following units are considered AHUs:
 - 3.1 -EKEVX + EKEQM + AHU- coil
 - 3.2 -Biddle- air curtain
 - 3.3 -FXMQ*MF- unit

3D088013

5 Capacity tables

5 - 1 Capacity Table Legend

5

In order to fulfill more your requirements on quick access of data in the format you require, we have developed a tool to consult capacity tables.

Below you can find the link to the capacity table database and an overview of all the tools we have to help you select the correct product:

- Capacity table database: lets you find back and export quickly the capacity information you are looking for based upon unit model, refrigerant temperature and connection ratio.

→ <http://extranet.daikineurope.com/captab>

- E-data app: gives a complete overview of the Daikin products available in your country, with all engineering data and commercial info in your own language. Download the app now!

→ <https://itunes.apple.com/us/app/daikin-e-data/id565955746?mt=8>



- Selection software: allows you to do load calculations, equipment selections and energy simulations for our VRV, Daikin Altherma, refrigeration and applied systems products.

→ <http://extranet.daikineurope.com/en/software/downloads/default.jsp>

5 Capacity tables

5 - 2 Integrated Heating Capacity Correction Factor

REYQ-T

The heating capacity tables do not take into account the capacity reduction in case of frost accumulation or defrost operation.

The capacity values that take these factors into account, or in other words, the integrated heating capacity values, can be calculated as follows:

Formula $A = B \cdot C$

- A= Integrated heating capacity
- B= Capacity characteristics value
- C= Integrated correction factor for frost accumulation (see table)

Inlet air temperature of heat exchanger

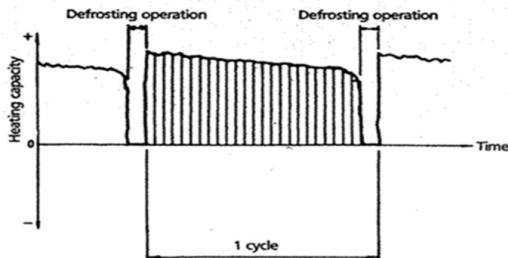
[°CDB/°CWB]	-7/-7,6	-5/-5,6	-3/-3,7	0/-0,7	3/2,2	5/4,1	7/6
-------------	---------	---------	---------	--------	-------	-------	-----

Integrated correction factor for frost accumulation (C)

	-7/-7,6	-5/-5,6	-3/-3,7	0/-0,7	3/2,2	5/4,1	7/6		
For single unit installation	8HP	0.95	0.93	0.88	0.84	0.85	0.90	1.00	
	10HP	0.95	0.93	0.87	0.79	0.80	0.88	1.00	
	12HP	0.95	0.92	0.87	0.75	0.76	0.85	1.00	
	14HP	0.95	0.92	0.86	0.72	0.73	0.84	1.00	
	16HP	0.95	0.92	0.86	0.72	0.72	0.83	1.00	
	18HP	0.95	0.93	0.88	0.84	0.85	0.90	1.00	
	20HP	0.95	0.93	0.88	0.84	0.85	0.90	1.00	
	For multi-unit installation	10HP	0.95	0.93	0.88	0.84	0.85	0.90	1.00
		13HP	0.95	0.93	0.88	0.84	0.85	0.90	1.00
		16HP	0.95	0.93	0.88	0.84	0.85	0.90	1.00
18HP		0.95	0.93	0.88	0.82	0.83	0.89	1.00	
20HP		0.95	0.93	0.88	0.80	0.81	0.88	1.00	
22HP		0.95	0.92	0.87	0.77	0.78	0.86	1.00	
24HP		0.95	0.92	0.87	0.75	0.76	0.85	1.00	
26HP		0.95	0.92	0.86	0.73	0.74	0.84	1.00	
28HP		0.95	0.92	0.86	0.73	0.74	0.84	1.00	
30HP		0.95	0.93	0.87	0.80	0.81	0.88	1.00	
32HP		0.95	0.92	0.86	0.71	0.72	0.83	1.00	
34HP		0.95	0.92	0.87	0.78	0.79	0.87	1.00	
36HP		0.95	0.92	0.87	0.78	0.79	0.87	1.00	
38HP		0.95	0.93	0.88	0.83	0.84	0.89	1.00	
40HP	0.95	0.93	0.87	0.80	0.81	0.88	1.00		
42HP	0.95	0.92	0.86	0.73	0.74	0.84	1.00		
44HP	0.95	0.92	0.86	0.72	0.73	0.84	1.00		
46HP	0.95	0.92	0.86	0.72	0.72	0.83	1.00		
48HP	0.95	0.92	0.86	0.71	0.72	0.83	1.00		
50HP	0.95	0.92	0.87	0.76	0.77	0.86	1.00		
52HP	0.95	0.93	0.87	0.80	0.81	0.88	1.00		
54HP	0.95	0.93	0.88	0.84	0.85	0.90	1.00		

Notes

- The figure shows the integrated heating capacity for a single cycle (from one defrost operation to the next).
- When there is an accumulation of snow against the outdoor unit heat exchanger, there will always be a temporary reduction in capacity depending on the outdoor temperature (°C DB), relative humidity (RH) and the amount of frosting which occurs.
- The multi-combination data -VRV4- corresponds with the standard multi-combination of drawing 3D088011.



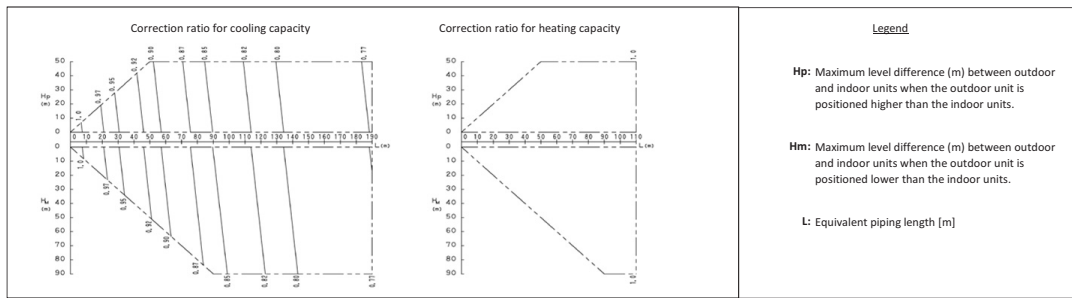
3D088034

5 Capacity tables

5 - 3 Capacity Correction Factor

5

REYQ8T
REYQ22T



Legend

Hp: Maximum level difference (m) between outdoor and indoor units when the outdoor unit is positioned higher than the indoor units.

Hm: Maximum level difference (m) between outdoor and indoor units when the outdoor unit is positioned lower than the indoor units.

L: Equivalent piping length [m]

Notes

1. These figures illustrate the capacity correction factor due to the piping length for a standard indoor unit system at maximum load (with the thermostat set to maximum), under standard conditions. Moreover, under partial load conditions, there is only a minor deviation for the capacity correction ratio, as shown in the above figures.

2. **Method of calculating the capacity of the outdoor units.**

The maximum capacity of the system will be either the total capacity of the indoor units or the maximum capacity of the outdoor units as mentioned below, whichever is less.

Indoor connection ratio ≤ 100%.

$$\text{Maximum capacity of outdoor units} = \text{Capacity of outdoor units from capacity table at 100\% connection ratio.} \times \text{Correction ratio of piping to furthest indoor unit}$$

Indoor connection ratio > 100%.

$$\text{Maximum capacity of outdoor units} = \text{Capacity of outdoor units from capacity table at installed connection ratio.} \times \text{Correction ratio of piping to furthest indoor unit}$$

3. **Main liquid pipe size increase**

Model	Standard liquid side Ø	Increased liquid side Ø
8HP	9.5	12.7
22HP	15.9	19.1

For the allowed system setups and the rules for when to increase the main liquid piping diameter, refer to the installation manual.

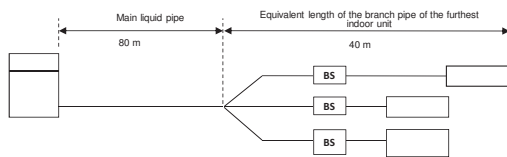
4. **Overall equivalent length**

$$\text{Overall equivalent length} = \text{Equivalent length of the main pipe} \times \text{Correction factor} + \text{Equivalent length of the branch pipes}$$

Choose the correction factor from the following table.

Model	Correction ratio for cooling capacity		Correction ratio for heating capacity	
	Standard size	Size increase	Standard size	Size increase
8HP	1	0.5	1	0.2
22HP	1	0.5	1	0.4

5. **Example -8HP-**



Overall equivalent length

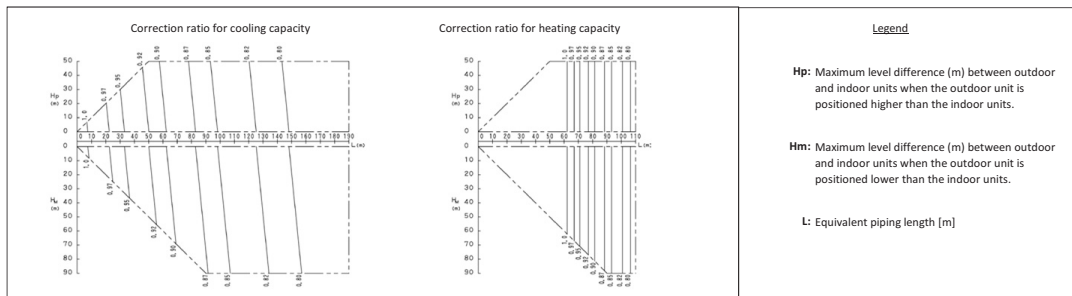
- Cooling mode = 80 m x 0.5 + 40 m = 80 m
- Heating mode = 80 m x 0.2 + 40 m = 56 m

Capacity correction ratio (height difference = 0)

- Cooling mode = 0.86
- Heating mode = 1.0

3D088033

REYQ10T



Legend

Hp: Maximum level difference (m) between outdoor and indoor units when the outdoor unit is positioned higher than the indoor units.

Hm: Maximum level difference (m) between outdoor and indoor units when the outdoor unit is positioned lower than the indoor units.

L: Equivalent piping length [m]

Notes

1. These figures illustrate the capacity correction factor due to the piping length for a standard indoor unit system at maximum load (with the thermostat set to maximum), under standard conditions. Moreover, under partial load conditions, there is only a minor deviation for the capacity correction ratio, as shown in the above figures.

2. **Method of calculating the capacity of the outdoor units.**

The maximum capacity of the system will be either the total capacity of the indoor units or the maximum capacity of the outdoor units as mentioned below, whichever is less.

Indoor connection ratio ≤ 100%.

$$\text{Maximum capacity of outdoor units} = \text{Capacity of outdoor units from capacity table at 100\% connection ratio.} \times \text{Correction ratio of piping to furthest indoor unit}$$

Indoor connection ratio > 100%.

$$\text{Maximum capacity of outdoor units} = \text{Capacity of outdoor units from capacity table at installed connection ratio.} \times \text{Correction ratio of piping to furthest indoor unit}$$

3. **Main liquid pipe size increase**

Model	Standard liquid side Ø	Increased liquid side Ø
10HP	9.5	12.7

For the allowed system setups and the rules for when to increase the main liquid piping diameter, refer to the installation manual.

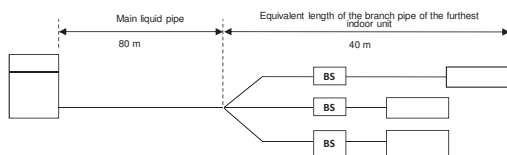
4. **Overall equivalent length**

$$\text{Overall equivalent length} = \text{Equivalent length of the main pipe} \times \text{Correction factor} + \text{Equivalent length of the branch pipes}$$

Choose the correction factor from the following table.

Model	Correction ratio for cooling capacity		Correction ratio for heating capacity	
	Standard size	Size increase	Standard size	Size increase
10HP	1	0.5	1	0.2

5. **Example -10HP-**



Overall equivalent length

- Cooling mode = 80 m x 0.5 + 40 m = 80 m
- Heating mode = 80 m x 0.2 + 40 m = 56 m

Capacity correction ratio (height difference = 0)

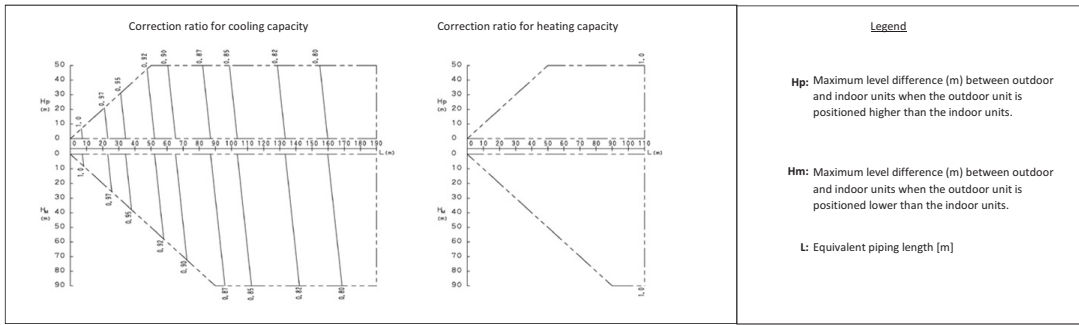
- Cooling mode = 0.88
- Heating mode = 1.0

3D088033

5 Capacity tables

5 - 3 Capacity Correction Factor

REYQ12T
REYQ18T
REYQ26T
REYQ28T
REYQ30T
REYQ38T
REYQ40T
REYQ42T
REYQ44T



Notes

1. These figures illustrate the capacity correction factor due to the piping length for a standard indoor unit system at maximum load (with the thermostat set to maximum), under standard conditions. Moreover, under partial load conditions, there is only a minor deviation for the capacity correction ratio, as shown in the above figures.

2. Method of calculating the capacity of the outdoor units.

The maximum capacity of the system will be either the total capacity of the indoor units or the maximum capacity of the outdoor units as mentioned below, whichever is less.

Indoor connection ratio ≤ 100%.

Maximum capacity of outdoor units = Capacity of outdoor units from capacity table at 100% connection ratio. X Correction ratio of piping to furthest indoor unit

Indoor connection ratio > 100%.

Maximum capacity of outdoor units = Capacity of outdoor units from capacity table at installed connection ratio. X Correction ratio of piping to furthest indoor unit

3. Main liquid pipe size increase

Model	Standard liquid side Ø	Increased liquid side Ø
12HP	12.7	15.9
18HP	15.9	19.1
26+28+30+38+40+42+44HP	19.1	22.2

For the allowed system setups and the rules for when to increase the main liquid piping diameter, refer to the installation manual.

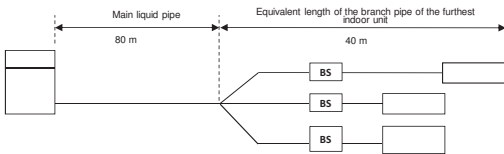
4. Overall equivalent length

Overall equivalent length = Equivalent length of the main pipe X Correction factor + Equivalent length of the branch pipes

Choose the correction factor from the following table.

Model	Correction ratio for cooling capacity		Correction ratio for heating capacity	
	Standard size	Size increase	Standard size	Size increase
12HP	1	0.5	1	0.3
18+26+28+30+38+40+42+44HP	1	0.5	1	0.4

5. Example -18HP-



Overall equivalent length

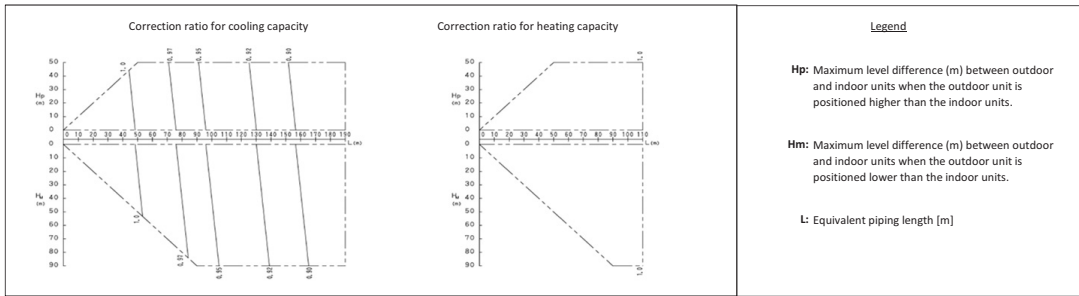
- Cooling mode = 80 m x 0,5 + 40 m = 80 m
- Heating mode = 80 m x 0,4 + 40 m = 72 m

Capacity correction ratio (height difference = 0)

- Cooling mode = 0,88
- Heating mode = 1,0

3D088033

REYQ13T
REYQ14T



Notes

1. These figures illustrate the capacity correction factor due to the piping length for a standard indoor unit system at maximum load (with the thermostat set to maximum), under standard conditions. Moreover, under partial load conditions, there is only a minor deviation for the capacity correction ratio, as shown in the above figures.

2. Method of calculating the capacity of the outdoor units.

The maximum capacity of the system will be either the total capacity of the indoor units or the maximum capacity of the outdoor units as mentioned below, whichever is less.

Indoor connection ratio ≤ 100%.

Maximum capacity of outdoor units = Capacity of outdoor units from capacity table at 100% connection ratio. X Correction ratio of piping to furthest indoor unit

Indoor connection ratio > 100%.

Maximum capacity of outdoor units = Capacity of outdoor units from capacity table at installed connection ratio. X Correction ratio of piping to furthest indoor unit

3. Main liquid pipe size increase

Model	Standard liquid side Ø	Increased liquid side Ø
13+14HP	12.7	15.9

For the allowed system setups and the rules for when to increase the main liquid piping diameter, refer to the installation manual.

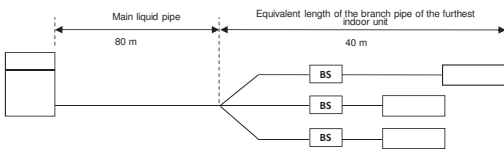
4. Overall equivalent length

Overall equivalent length = Equivalent length of the main pipe X Correction factor + Equivalent length of the branch pipes

Choose the correction factor from the following table.

Model	Correction ratio for cooling capacity		Correction ratio for heating capacity	
	Standard size	Size increase	Standard size	Size increase
13+14HP	1	0.5	1	0.3

5. Example -14HP-



Overall equivalent length

- Cooling mode = 80 m x 0,5 + 40 m = 80 m
- Heating mode = 80 m x 0,3 + 40 m = 64 m

Capacity correction ratio (height difference = 0)

- Cooling mode = 0,96
- Heating mode = 1,0

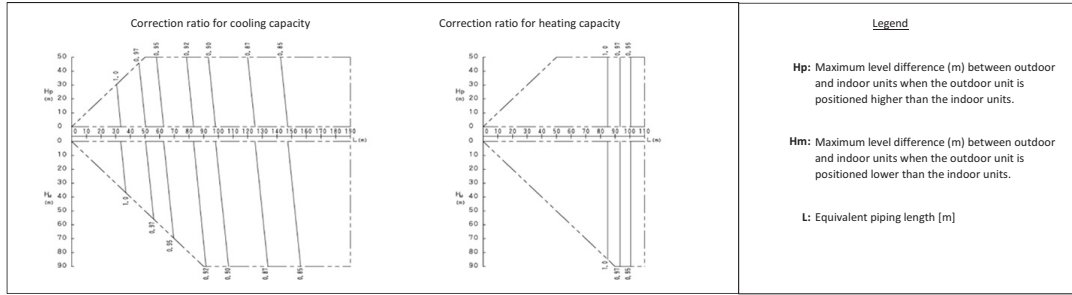
3D088033

5 Capacity tables

5 - 3 Capacity Correction Factor

5

REYQ16T



Notes

1. These figures illustrate the capacity correction factor due to the piping length for a standard indoor unit system at maximum load (with the thermostat set to maximum), under standard conditions. Moreover, under partial load conditions, there is only a minor deviation for the capacity correction ratio, as shown in the above figures.

2. **Method of calculating the capacity of the outdoor units.**

The maximum capacity of the system will be either the total capacity of the indoor units or the maximum capacity of the outdoor units as mentioned below, whichever is less.

Indoor connection ratio ≤ 100%.

$$\text{Maximum capacity of outdoor units} = \text{Capacity of outdoor units from capacity table at 100\% connection ratio.} \times \text{Correction ratio of piping to furthest indoor unit}$$

Indoor connection ratio > 100%.

$$\text{Maximum capacity of outdoor units} = \text{Capacity of outdoor units from capacity table at installed connection ratio.} \times \text{Correction ratio of piping to furthest indoor unit}$$

3. **Main liquid pipe size increase**

Model	Standard liquid side Ø	Increased liquid side Ø
16HP	12.7	15.9

For the allowed system setups and the rules for when to increase the main liquid piping diameter, refer to the installation manual.

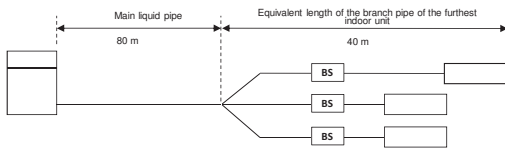
4. **Overall equivalent length**

$$\text{Overall equivalent length} = \text{Equivalent length of the main pipe} \times \text{Correction factor} + \text{Equivalent length of the branch pipes}$$

Choose the correction factor from the following table.

Model	Correction ratio for cooling capacity		Correction ratio for heating capacity	
	Standard size	Size increase	Standard size	Size increase
16HP	1	0.5	1	0.3

5. **Example -16HP-**



Overall equivalent length

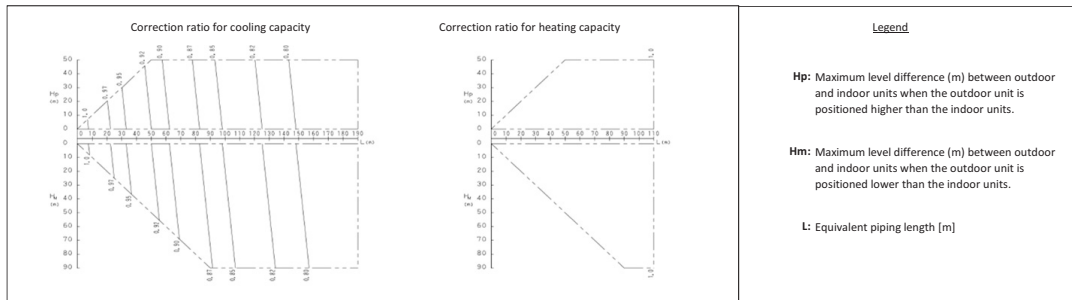
- Cooling mode = 80 m x 0.5 + 40 m = 80 m
- Heating mode = 80 m x 0.3 + 40 m = 64 m

Capacity correction ratio (height difference = 0)

- Cooling mode = 0.93
- Heating mode = 1.0

3D088033

REYQ20T
REYQ32T
REYQ34T



Notes

1. These figures illustrate the capacity correction factor due to the piping length for a standard indoor unit system at maximum load (with the thermostat set to maximum), under standard conditions. Moreover, under partial load conditions, there is only a minor deviation for the capacity correction ratio, as shown in the above figures.

2. **Method of calculating the capacity of the outdoor units.**

The maximum capacity of the system will be either the total capacity of the indoor units or the maximum capacity of the outdoor units as mentioned below, whichever is less.

Indoor connection ratio ≤ 100%.

$$\text{Maximum capacity of outdoor units} = \text{Capacity of outdoor units from capacity table at 100\% connection ratio.} \times \text{Correction ratio of piping to furthest indoor unit}$$

Indoor connection ratio > 100%.

$$\text{Maximum capacity of outdoor units} = \text{Capacity of outdoor units from capacity table at installed connection ratio.} \times \text{Correction ratio of piping to furthest indoor unit}$$

3. **Main liquid pipe size increase**

Model	Standard liquid side Ø	Increased liquid side Ø
20HP	15.9	19.1
32+34HP	19.1	22.2

For the allowed system setups and the rules for when to increase the main liquid piping diameter, refer to the installation manual.

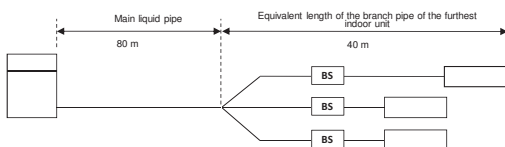
4. **Overall equivalent length**

$$\text{Overall equivalent length} = \text{Equivalent length of the main pipe} \times \text{Correction factor} + \text{Equivalent length of the branch pipes}$$

Choose the correction factor from the following table.

Model	Correction ratio for cooling capacity		Correction ratio for heating capacity	
	Standard size	Size increase	Standard size	Size increase
20+32+34HP	1	0.5	1	0.4

5. **Example -20HP-**



Overall equivalent length

- Cooling mode = 80 m x 0.5 + 40 m = 80 m
- Heating mode = 80 m x 0.4 + 40 m = 72 m

Capacity correction ratio (height difference = 0)

- Cooling mode = 0.88
- Heating mode = 1.0

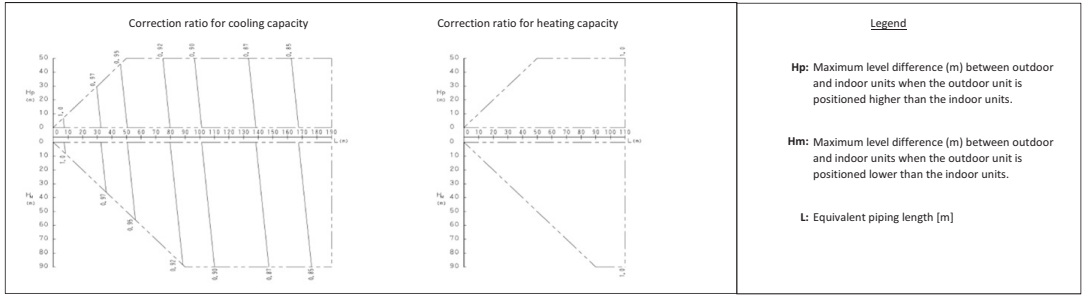
3D088033

18

5 Capacity tables

5 - 3 Capacity Correction Factor

REYQ24T



Notes

1. These figures illustrate the capacity correction factor due to the piping length for a standard indoor unit system at maximum load (with the thermostat set to maximum), under standard conditions. Moreover, under partial load conditions, there is only a minor deviation for the capacity correction ratio, as shown in the above figures.

2. Method of calculating the capacity of the outdoor units.

The maximum capacity of the system will be either the total capacity of the indoor units or the maximum capacity of the outdoor units as mentioned below, whichever is less.

Indoor connection ratio ≤ 100%.

$$\text{Maximum capacity of outdoor units} = \text{Capacity of outdoor units from capacity table at 100\% connection ratio.} \times \text{Correction ratio of piping to furthest indoor unit}$$

Indoor connection ratio > 100%.

$$\text{Maximum capacity of outdoor units} = \text{Capacity of outdoor units from capacity table at installed connection ratio.} \times \text{Correction ratio of piping to furthest indoor unit}$$

3. Main liquid pipe size increase

Model	Standard liquid side Ø	Increased liquid side Ø
24HP	15.9	19.1

For the allowed system setups and the rules for when to increase the main liquid piping diameter, refer to the installation manual.

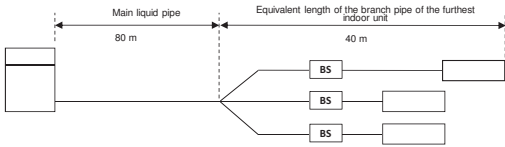
4. Overall equivalent length

$$\text{Overall equivalent length} = \text{Equivalent length of the main pipe} \times \text{Correction factor} + \text{Equivalent length of the branch pipes}$$

Choose the correction factor from the following table.

Model	Correction ratio for cooling capacity		Correction ratio for heating capacity	
	Standard size	Size increase	Standard size	Size increase
24HP	1	0.5	1	0.4

5. Example -24HP-



Overall equivalent length

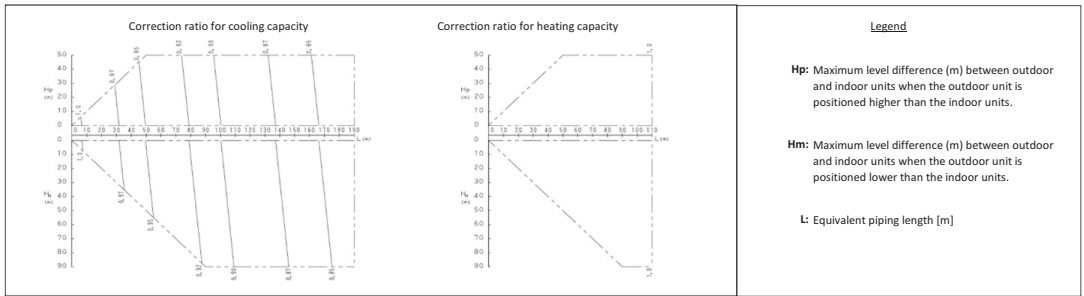
- Cooling mode = 80 m x 0,5 + 40 m = 80 m
- Heating mode = 80 m x 0,4 + 40 m = 72 m

Capacity correction ratio (height difference = 0)

- Cooling mode = 0,93
- Heating mode = 1,0

3D088033

REYQ36T



Notes

1. These figures illustrate the capacity correction factor due to the piping length for a standard indoor unit system at maximum load (with the thermostat set to maximum), under standard conditions. Moreover, under partial load conditions, there is only a minor deviation for the capacity correction ratio, as shown in the above figures.

2. Method of calculating the capacity of the outdoor units.

The maximum capacity of the system will be either the total capacity of the indoor units or the maximum capacity of the outdoor units as mentioned below, whichever is less.

Indoor connection ratio ≤ 100%.

$$\text{Maximum capacity of outdoor units} = \text{Capacity of outdoor units from capacity table at 100\% connection ratio.} \times \text{Correction ratio of piping to furthest indoor unit}$$

Indoor connection ratio > 100%.

$$\text{Maximum capacity of outdoor units} = \text{Capacity of outdoor units from capacity table at installed connection ratio.} \times \text{Correction ratio of piping to furthest indoor unit}$$

3. Main liquid pipe size increase

Model	Standard liquid side Ø	Increased liquid side Ø
36HP	19.1	22.2

For the allowed system setups and the rules for when to increase the main liquid piping diameter, refer to the installation manual.

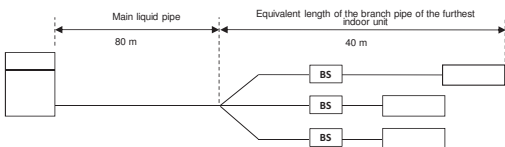
4. Overall equivalent length

$$\text{Overall equivalent length} = \text{Equivalent length of the main pipe} \times \text{Correction factor} + \text{Equivalent length of the branch pipes}$$

Choose the correction factor from the following table.

Model	Correction ratio for cooling capacity		Correction ratio for heating capacity	
	Standard size	Size increase	Standard size	Size increase
36HP	1	0.5	1	0.4

5. Example -36HP-



Overall equivalent length

- Cooling mode = 80 m x 0,5 + 40 m = 80 m
- Heating mode = 80 m x 0,4 + 40 m = 72 m

Capacity correction ratio (height difference = 0)

- Cooling mode = 0,92
- Heating mode = 1,0

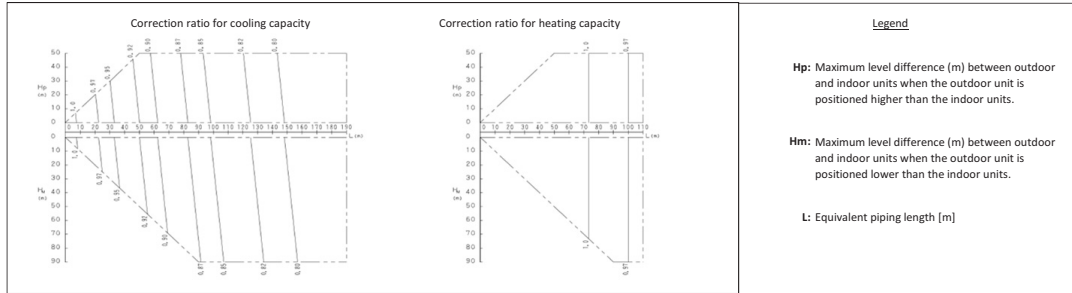
3D088033

5 Capacity tables

5 - 3 Capacity Correction Factor

5

REYQ46T



Notes

1. These figures illustrate the capacity correction factor due to the piping length for a standard indoor unit system at maximum load (with the thermostat set to maximum), under standard conditions. Moreover, under partial load conditions, there is only a minor deviation for the capacity correction ratio, as shown in the above figures.

2. **Method of calculating the capacity of the outdoor units.**

The maximum capacity of the system will be either the total capacity of the indoor units or the maximum capacity of the outdoor units as mentioned below, whichever is less.

Indoor connection ratio ≤ 100%.

$$\text{Maximum capacity of outdoor units} = \text{Capacity of outdoor units from capacity table at 100\% connection ratio.} \times \text{Correction ratio of piping to furthest indoor unit}$$

Indoor connection ratio > 100%.

$$\text{Maximum capacity of outdoor units} = \text{Capacity of outdoor units from capacity table at installed connection ratio.} \times \text{Correction ratio of piping to furthest indoor unit}$$

3. **Main liquid pipe size increase**

Model	Standard liquid side Ø	Increased liquid side Ø
46HP	19.1	22.2

For the allowed system setups and the rules for when to increase the main liquid piping diameter, refer to the installation manual.

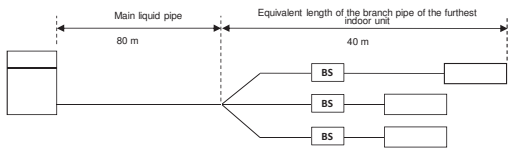
4. **Overall equivalent length**

$$\text{Overall equivalent length} = \text{Equivalent length of the main pipe} \times \text{Correction factor} + \text{Equivalent length of the branch pipes}$$

Choose the correction factor from the following table.

Model	Correction ratio for cooling capacity		Correction ratio for heating capacity	
	Standard size	Size increase	Standard size	Size increase
46HP	1	0.5	1	0.4

5. **Example -46HP-**



Overall equivalent length

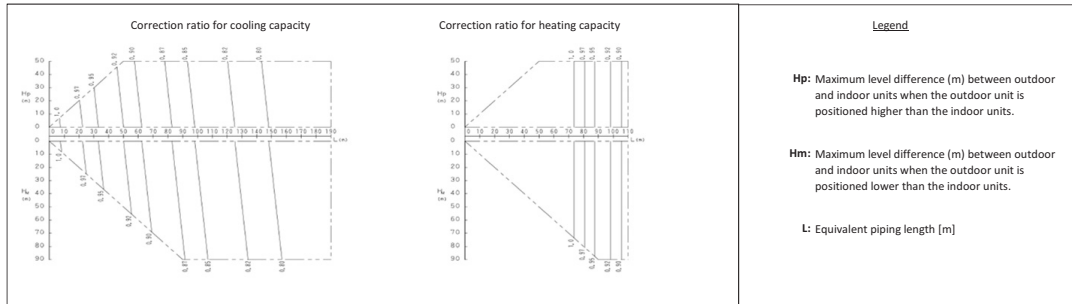
- Cooling mode = 80 m x 0.5 + 40 m = 80 m
- Heating mode = 80 m x 0.4 + 40 m = 72 m

Capacity correction ratio (height difference = 0)

- Cooling mode = 0.88
- Heating mode = 1.0

3D088033

REYQ48T
REYQ50T
REYQ52T
REYQ54T



Notes

1. These figures illustrate the capacity correction factor due to the piping length for a standard indoor unit system at maximum load (with the thermostat set to maximum), under standard conditions. Moreover, under partial load conditions, there is only a minor deviation for the capacity correction ratio, as shown in the above figures.

2. **Method of calculating the capacity of the outdoor units.**

The maximum capacity of the system will be either the total capacity of the indoor units or the maximum capacity of the outdoor units as mentioned below, whichever is less.

Indoor connection ratio ≤ 100%.

$$\text{Maximum capacity of outdoor units} = \text{Capacity of outdoor units from capacity table at 100\% connection ratio.} \times \text{Correction ratio of piping to furthest indoor unit}$$

Indoor connection ratio > 100%.

$$\text{Maximum capacity of outdoor units} = \text{Capacity of outdoor units from capacity table at installed connection ratio.} \times \text{Correction ratio of piping to furthest indoor unit}$$

3. **Main liquid pipe size increase**

Model	Standard liquid side Ø	Increased liquid side Ø
48~54HP	19.1	22.2

For the allowed system setups and the rules for when to increase the main liquid piping diameter, refer to the installation manual.

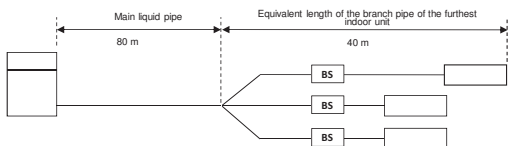
4. **Overall equivalent length**

$$\text{Overall equivalent length} = \text{Equivalent length of the main pipe} \times \text{Correction factor} + \text{Equivalent length of the branch pipes}$$

Choose the correction factor from the following table.

Model	Correction ratio for cooling capacity		Correction ratio for heating capacity	
	Standard size	Size increase	Standard size	Size increase
48~54HP	1	0.5	1	0.4

5. **Example -48HP-**



Overall equivalent length

- Cooling mode = 80 m x 0.5 + 40 m = 80 m
- Heating mode = 80 m x 0.4 + 40 m = 72 m

Capacity correction ratio (height difference = 0)

- Cooling mode = 0.88
- Heating mode = 1.0

3D088033

6 Dimensional drawings

6 - 1 Dimensional Drawings

**REMQ5T
REYQ8-12T**

Notes

- Detail A and detail B indicate the dimensions after fixing the attached piping.
- Items 4 - 10: Knockout hole.
- Gas pipe
 RYYQ8T, RYM08T, RXYQ8T, RXYQ8T : \varnothing 19.1 brazing connection
 RYYQ10T, RYM10T, RXYQ10T, RXYQ10T : \varnothing 22.2 brazing connection
 REMQ5T, REYQ8-12T : \varnothing 25.4 brazing connection
 RYYQ12T, RYM12T, RXYQ12T, RXYQ12T : \varnothing 28.6 brazing connection
 Liquid pipe
 RYYQ8-10T, RYM8-10T, RXYQ8-10T, RXYQ8-10T, RYM8-10T, RXYQ8-10T, RXYQ8-12T : \varnothing 9.5 brazing connection
 RYYQ12T, RYM12T, RXYQ12T, RXYQ12T : \varnothing 12.7 brazing connection
 Equalizing pipe
 RYM08-10T : \varnothing 19.1 brazing connection
 RYM12T : \varnothing 22.2 brazing connection
 High pressure/low pressure gas pipe
 REMQ5T, REYQ8-12T : \varnothing 19.1 brazing connection

Model	AA	AB	AC
RYYQ8T, RXYQ8T, RXYQ8T	248	-	-
RYYQ10-12T, RXYQ10-12T, RXYQ10-12T	195	-	-
REMQ5T	248	208	240
REMQ5T, RYM08-12T, REYQ8-12T	195	208	240

11	Grounding terminal	Inside of the switch box (MB)
10	Pipe routing hole (bottom)	
9	Pipe routing hole (front)	
8	Power cord routing hole (bottom)	\varnothing 65
7	Power cord routing hole (front)	\varnothing 27
6	Power cord routing hole (front)	\varnothing 65
5	Power cord routing hole (front)	\varnothing 65
4	Power cord routing hole (side)	\varnothing 65
3	Equalizing pipe connection port	See note 3.
2	Gas pipe connection port	See note 3.
1	Liquid pipe connection port	See note 3.
NO	Part name	Remark

2D079532B

REYQ14-20T

Notes

- Detail A and detail B indicate the dimensions after fixing the attached piping.
- Items 4 - 10: Knockout hole.
- Gas pipe
 REYQ14-20T : \varnothing 25.4 brazing connection
 RYYQ14-20T, RYM14-20T, RXYQ14-20T, RXYQ14-20T : \varnothing 28.6 brazing connection
 Liquid pipe
 RYYQ14-16T, RYM14-16T, RXYQ14-16T, RXYQ14-20T : \varnothing 12.7 brazing connection
 RYYQ18-20T, RYM18-20T, RXYQ18-20T, RXYQ18-20T : \varnothing 15.9 brazing connection
 Equalizing pipe
 RYM14-16T : \varnothing 22.2 brazing connection
 RYM18-20T : \varnothing 28.6 brazing connection
 High pressure/low pressure gas pipe
 REYQ14-20T : \varnothing 22.2 brazing connection

Model	AA	AB
RYM14-16T, RXYQ14-16T, REYQ14-20T	240	205
RYM18-20T, RXYQ18-20T	240	210

11	Grounding terminal	Inside of the switch box (MB)
10	Pipe routing hole (bottom)	
9	Pipe routing hole (front)	
8	Power cord routing hole (bottom)	\varnothing 65
7	Power cord routing hole (front)	\varnothing 27
6	Power cord routing hole (front)	\varnothing 65
5	Power cord routing hole (front)	\varnothing 65
4	Power cord routing hole (side)	\varnothing 65
3	Equalizing pipe connection port	See note 3.
2	Gas pipe connection port	See note 3.
1	Liquid pipe connection port	See note 3.
NO	Part name	Remark

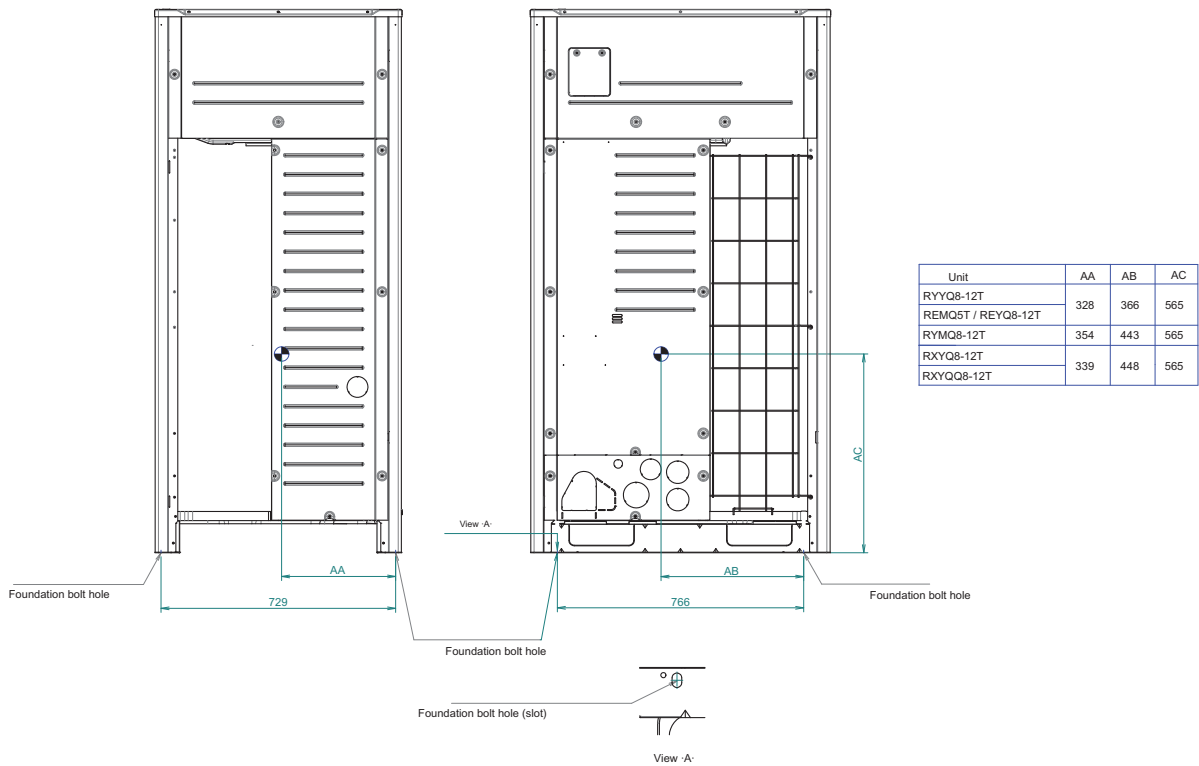
2D079533B

7 Centre of gravity

7 - 1 Centre of Gravity

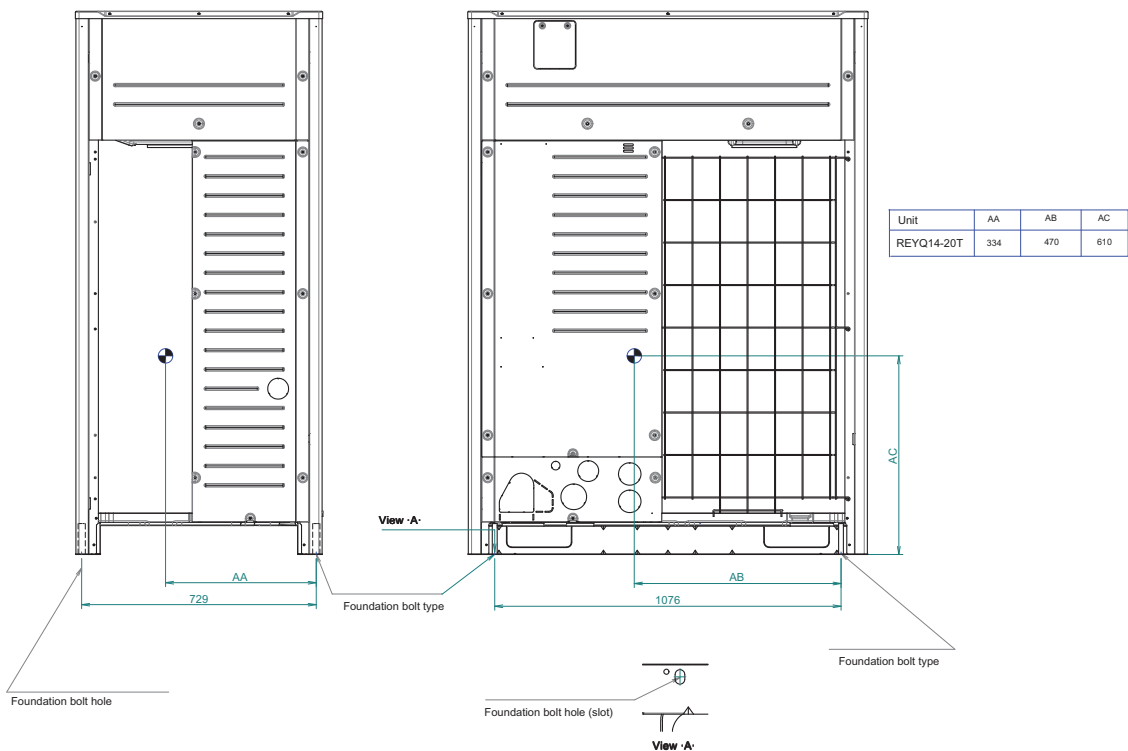
7

REMQ5T
REYQ8-12T



3D079582B

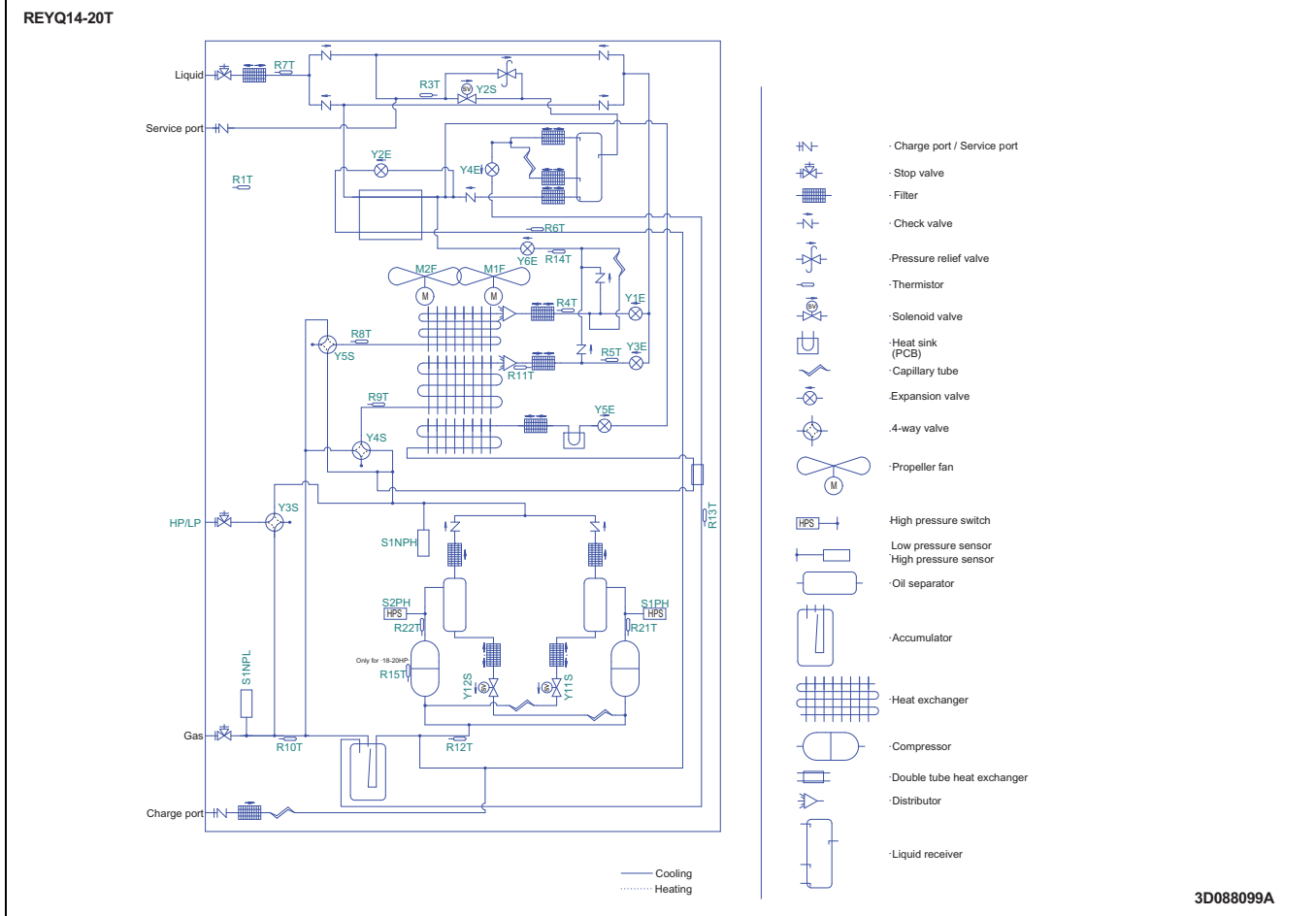
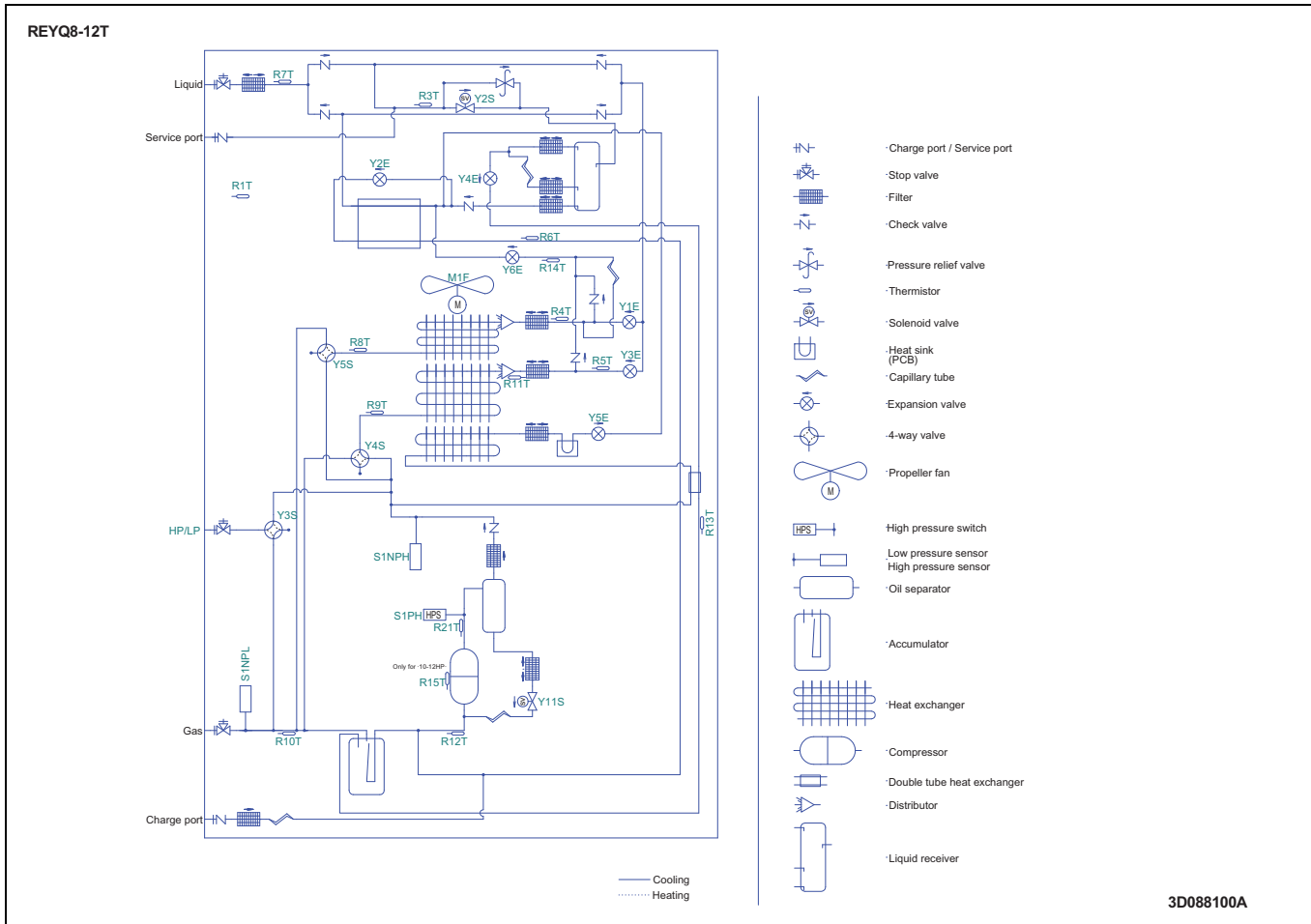
REYQ14-20T



3D079583B

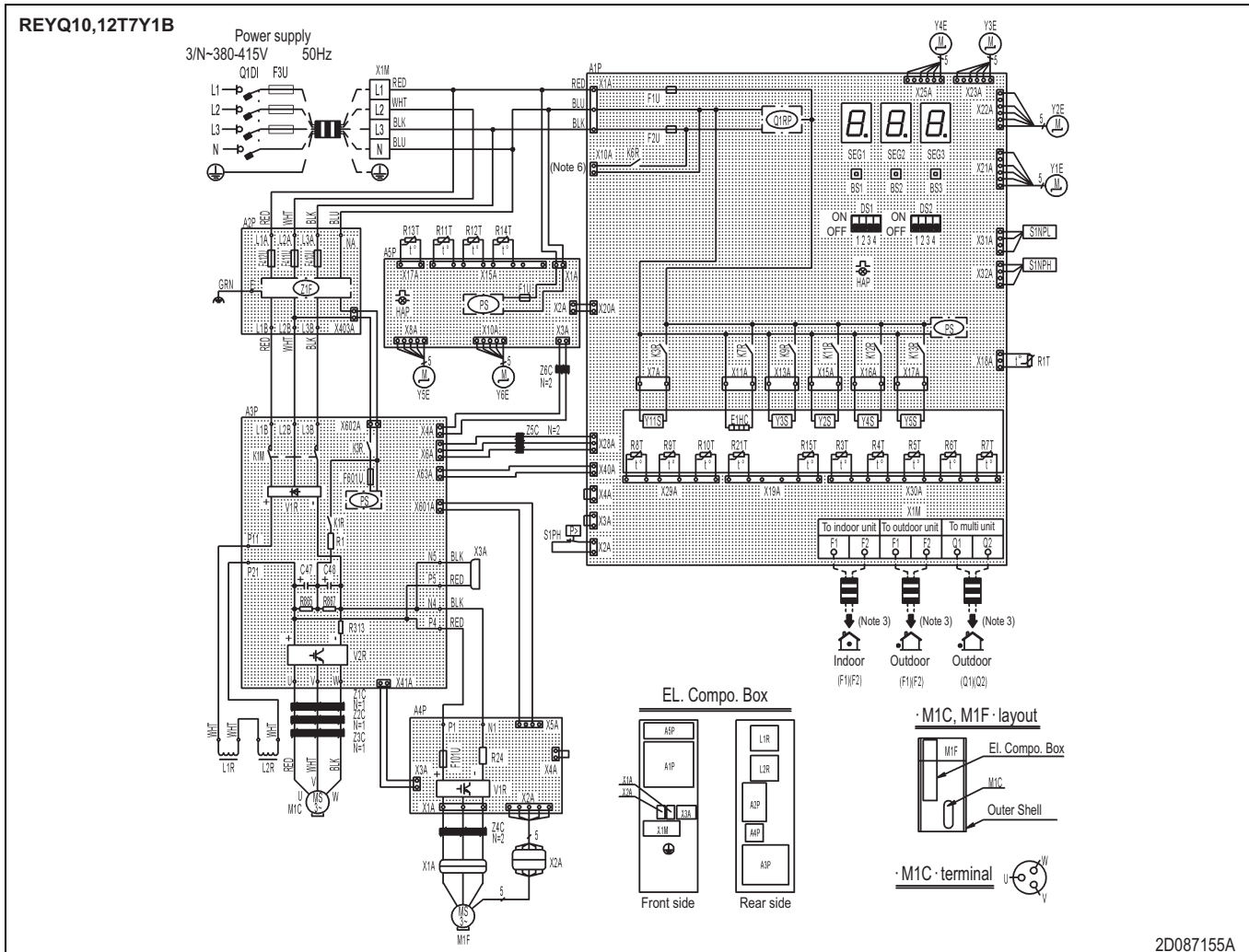
8 Piping diagrams

8 - 1 Piping Diagrams



9 Wiring diagrams

9 - 1 Wiring Diagrams - Single Phase



2D087155A

A1P	Printed Circuit Board (main)	K13R	Magnetic Relay (Y5S) (A1P)	S1PH	Pressure Switch (High)
A2P	Printed Circuit Board (noise filter)	L1R, L2R	Reactor	SEG1-SEG3	7-Segment Display (A1P)
A3P	Printed Circuit Board (inv)	M1C	Motor (Compressor)	V1R	Power Module (A3P) (A4P)
A4P	Printed Circuit Board (fan)	M1F	Motor (Fan)	V2R	Power Module (A3P)
A5P	Printed Circuit Board (sub)	PS	Switching Power Supply (A1P) (A3P) (A5P)	X1A, X2A	Connector (M1F)
BS1-3	Push Button Switch (A1P) (Mode, Set, Return)	Q1DI	Field Earth Leakage Breaker	X3A	Connector (check the residual charge)
C47, C48	Capacitor (A3P)	Q1RP	Phase Reversal Detect Circuit (A1P)	X1M	Terminal Block (Power Supply)
DS1, DS2	DIP Switch (A1P)	R1T	Thermistor (Air) (A1P)	X1M	Terminal Block (Control) (A1P)
E1HC	Crankcase Heater	R21T	Thermistor (M1C Discharge) (A1P)	Y1E	Electronic Expansion Valve (Heat Exc. Upper)
F1U, F2U	Fuse (T, 3,15A, 250V) (A1P)	R3T	Thermistor (Liq. Main) (A1P)	Y2E	Electronic Expansion Valve (Subcool Heat Exc.)
F1U	Fuse (T, 3,15A, 250V) (A5P)	R4T	Thermistor (Heat Exc. Liq. Upper) (A1P)	Y3E	Electronic Expansion Valve (Heat Exc. Lower)
F101U	Fuse (A4P)	R5T	Thermistor (Heat Exc. Liq. Lower) (A1P)	Y4E	Electronic Expansion Valve (Receiver Gas)
F3U	Field Fuse	R6T	Thermistor (Subcool Heat Exc. Gas) (A1P)	Y5E	Electronic Expansion Valve (Inverter Cooling)
F410U~F412U	Fuse (A2P)	R7T	Thermistor (Subcool Heat Exc. Liq) (A1P)	Y6E	Electronic Expansion Valve (Auto Charge)
F601U	Fuse (A3P)	R8T	Thermistor (Heat Exc. Gas Upper) (A1P)	Y11S	Solenoid Valve (M1C Oil Return)
HAP	Pilotlamp (A1P) (A5P) (Service monitor-green)	R9T	Thermistor (Heat Exc. Gas Lower) (A1P)	Y2S	Solenoid Valve (Liq. Pipe)
K1M	Magnetic Contactor (A3P)	R10T	Thermistor (Suction) (A1P)	Y3S	Solenoid Valve (HP/LP Gas Pipe)
K1R	Magnetic Relay (A3P)	R11T	Thermistor (Heat Exc. Deicer) (A5P)	Y4S	Solenoid Valve (Heat Exc. Lower)
K3R	Magnetic Relay (A3P)	R12T	Thermistor (Suction Compressor) (A5P)	Y5S	Solenoid Valve (Heat Exc. Upper)
K3R	Magnetic Relay (Y11S) (A1P)	R13T	Thermistor (Receiver Gas) (A5P)	Z1C-Z6C	Noise Filter (Ferrite Core)
K6R	Magnetic Relay (Optional Bottomplate Heater) (A1P)	R14T	Thermistor (Auto Charge) (A5P)	Z1F	Noise Filter (A2P) (With Surge Absorber)
K7R	Magnetic Relay (E1HC) (A1P)	R15T	Thermistor (Compressor Body) (A1P)		
K9R	Magnetic Relay (Y3S) (A1P)	R1	Resistor (Current Limiting) (A3P)		
K11R	Magnetic Relay (Y2S) (A1P)	R24	Resistor (Current Sensor) (A4P)		
K12R	Magnetic Relay (Y4S) (A1P)	R313	Resistor (Current Sensor) (A3P)		Connector for Optional Accessories
		R865, R867	Resistor (A3P)	X10A	Connector (Bottomplate Heater)
		S1NPH	Pressure Sensor (High)		
		S1NPL	Pressure Sensor (Low)		

NOTES

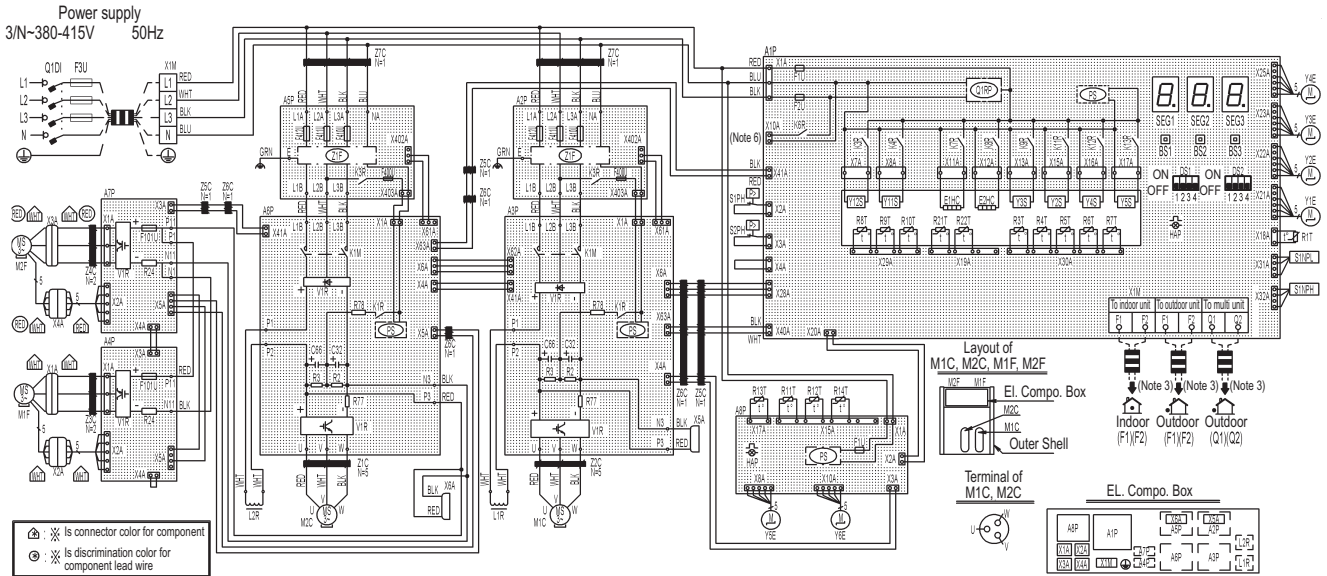
1. This wiring diagram applies only to the outdoor unit.
2. : field wiring, : terminal block, : connector, : terminal, : Protective Earth (Screw).
3. For connection wiring to indoor-outdoor transmission F1-F2, outdoor-outdoor transmission F1-F2, outdoor-multi transmission Q1-Q2, refer to the installation manual.
4. When operating, don't shortcircuit the protection device (S1PH).
5. Colors BLK:BLACK; RED: RED; BLU: BLUE; WHT: WHITE; GRN: GREEN.
6. When using the optional accessory, refer to the installation manual of the optional accessory.

9 Wiring diagrams

9 - 1 Wiring Diagrams - Single Phase

9

REYQ14,8T7Y1B



2D087542A

A1P	Printed Circuit Board (main)	K13R	Magnetic Relay (Y5S) (A1P)	V1R	Power Module (A3P) (A6P)
A2P, A5P	Printed Circuit Board (noise filter)	L1R~L2R	Reactor	V1R	Power Module (A4P) (A7P)
A3P, A6P	Printed Circuit Board (inv)	M1C, M2C	Motor (Compressor)	X1A~4A	Connector (M1F, M2F)
A4P, A7P	Printed Circuit Board (fan)	M1F, M2F	Motor (Fan)	X5A, X6A	Connector (Residual Charge Check)
A8P	Printed Circuit Board (sub)	PS	Switching Power Supply (A1P) (A3P) (A6P) (A8P)	X1M	Terminal Block (Power Supply)
BS1~3	Push Button Switch (A1P) (Mode, Set, Return)	Q1DI	Field Earth Leakage Breaker	X1M	Terminal Block (Control) (A1P)
C32, C66	Capacitor (A3P) (A6P)	Q1RP	Phase Reversal Detect Circuit (A1P)	Y1E	Electronic Expansion Valve (Heat Exc. Upper)
DS1, DS2	DIP Switch (A1P)	R2, R3	Resistor (A3P) (A6P)	Y2E	Electronic Expansion Valve (Subcool Heat Exc.)
E1HC, E2HC	Crankcase Heater	R24	Resistor (Current Sensor) (A4P) (A7P)	Y3E	Electronic Expansion Valve (Heat Exc. Lower)
F1U, F2U	Fuse (T, 3,15A, 250V) (A1P)	R77	Resistor (Current Sensor) (A3P) (A6P)	Y4E	Electronic Expansion Valve (Receiver Gas)
F1U	Fuse (T, 3,15A, 250V) (A8P)	R78	Resistor (Current Limiting) (A3P) (A6P)	Y5E	Electronic Expansion Valve (Inverter Cooling)
F2U	Field Fuse	R1T	Thermistor (Air) (A1P)	Y6E	Electronic Expansion Valve (Auto Charge)
F101U	Fuse (A4P) (A7P)	R21T, R22T	Thermistor (M1C, M2C Discharge) (A1P)	Y11S	Solenoid Valve (Oil Return M1C)
F400U	Fuse (A2P) (A5P)	R3T	Thermistor (Liq. Main) (A1P)	Y12S	Solenoid Valve (Oil Return M2C)
F410U~F412U	Fuse (A2P) (A5P)	R4T	Thermistor (Heat Exc. Liq. Upper) (A1P)	Y2S	Solenoid Valve (Liq. Pipe)
HAP	Pilotlamp (A1P) (A8P) (Service monitor-green)	R5T	Thermistor (Heat Exc. Liq. Lower) (A1P)	Y3S	Solenoid Valve (HP/LP Gas Pipe)
K1M	Magnetic Contactor (A3P) (A6P)	R6T	Thermistor (Subcool Heat Exc. Gas) (A1P)	Y4S	Solenoid Valve (Heat Exc. Lower)
K1R	Magnetic Relay (A3P) (A6P)	R7T	Thermistor (Subcool Heat Exc. Liq) (A1P)	Y5S	Solenoid Valve (Heat Exc. Upper)
K3R	Magnetic Relay (A2P) (A5P)	R8T	Thermistor (Heat Exc. Gas Upper) (A1P)	Z1C~Z7C	Noise Filter (Ferrite Core)
K3R	Magnetic Relay (Y11S) (A1P)	R9T	Thermistor (Heat Exc. Gas Lower) (A1P)	Z1F	Noise Filter (A2P) (A5P) (with surge absorber)
K4R	Magnetic Relay (Y12S) (A1P)	R10T	Thermistor (Suction) (A1P)		
K6R	Magnetic Relay (A1P) (Optional Bottomplate Heater)	R11T	Thermistor (Heat Exc. Deicer) (A8P)		
K7R	Magnetic Relay (E1HC) (A1P)	R12T	Thermistor (Suction compressor) (A8P)		Connector for Optional Accessories
K8R	Magnetic Relay (E2HC) (A1P)	R13T	Thermistor (Receiver Gas) (A8P)	X10A	Connector (Bottom Plate Heater)
K9R	Magnetic Relay (Y3S) (A1P)	R14T	Thermistor (Auto Charge) (A8P)		
K11R	Magnetic Relay (Y2S) (A1P)	S1NPH	Pressure Sensor (High)		
K12R	Magnetic Relay (Y4S) (A1P)	S1NPL	Pressure Sensor (Low)		
		S1PH, S2PH	Pressure Switch (High)		
		SEG1~SEG3	7-Segment Display (A1P)		

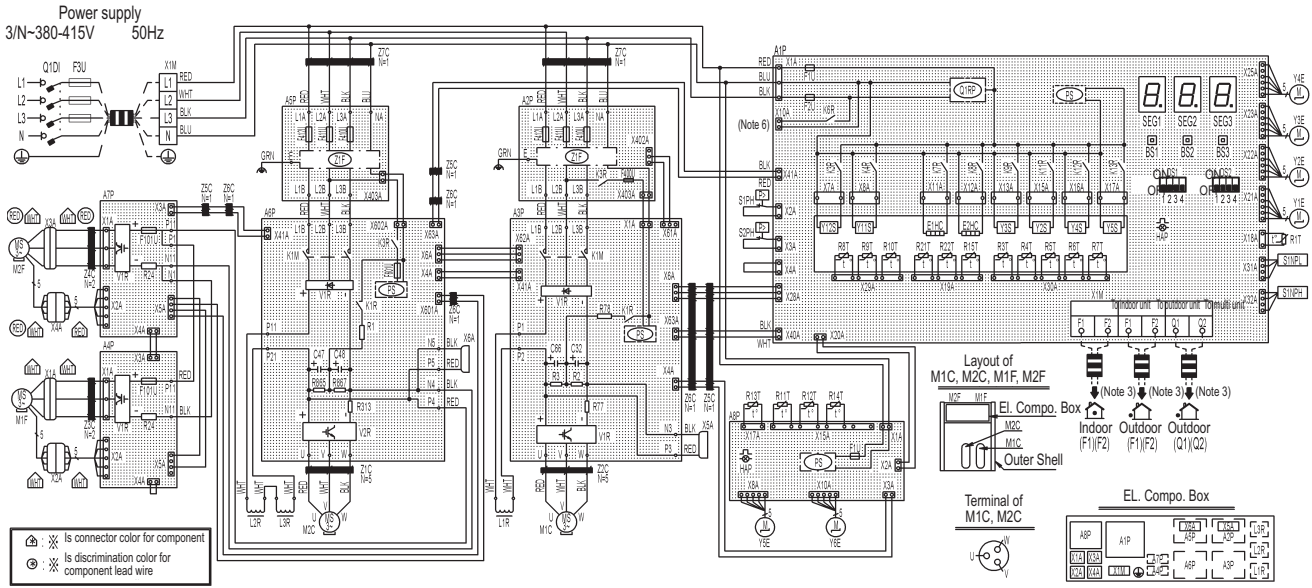
NOTES

- This wiring diagram applies only to the outdoor unit.
- ▬: field wiring, □: terminal block, □: connector, ○: terminal, ⊕: Protective Earth (Screw).
- For connection wiring to indoor-outdoor transmission F1-F2, outdoor-outdoor transmission F1-F2, outdoor-multi transmission Q1-Q2, refer to the installation manual.
- When operating, don't shortcircuit the protection devices (S1PH, S2PH)
- Colours BLK:BLACK; RED: RED; BLU: BLUE; WHT: WHITE; GRN: GREEN.
- When using the optional accessory, refer to the installation manual of the optional accessory.

9 Wiring diagrams

9 - 1 Wiring Diagrams - Single Phase

REYQ18,20T7Y1B



2D087543A

A1P	Printed Circuit Board (main)	PS	Switching Power Supply (A1P) (A3P) (A6P) (A8P)	X1M	Terminal Block (Power Supply)
A2P, A5P	Printed Circuit Board (noise filter)	Q1DI	Field Earth Leakage Breaker	X1M	Terminal Block (Control) (A1P)
A3P, A6P	Printed Circuit Board (inv)	Q1RP	Phase Reversal Detect Circuit (A1P)	Y1E	Electronic Expansion Valve (Heat Exc. Upper)
A4P, A7P	Printed Circuit Board (fan)	R1	Resistor (Current Limiting) (A6P)	Y2E	Electronic Expansion Valve (Subcool Heat Exc.)
A8P	Printed Circuit Board (sub)	R2, R3	Resistor (A3P)	Y3E	Electronic Expansion Valve (Heat Exc. Lower)
BS1~3	Push Button Switch (A1P) (Mode, Set, Return)	R24	Resistor (Current Sensor) (A4P) (A7P)	Y4E	Electronic Expansion Valve (Receiver Gas)
C32, C66	Capacitor (A3P)	R77	Resistor (Current Sensor) (A3P)	Y5E	Electronic Expansion Valve (Inverter Cooling)
C47, C48	Capacitor (A6P)	R78	Resistor (Current Limiting) (A3P)	Y6E	Electronic Expansion Valve (Auto Charge)
DS1, DS2	DIP Switch (A1P)	R313	Resistor (Current Sensor) (A6P)	Y11S	Solenoid Valve (Oil Return M1C)
E1HC, E2HC	Crankcase Heater	R865, R867	Resistor (A6P)	Y12S	Solenoid Valve (Oil Return M2C)
F1U, F2U	Fuse (T, 3,15A, 250V) (A1P) (A8P)	R1T	Thermistor (Air) (A1P)	Y2S	Solenoid Valve (Liq. Pipe)
F3U	Field Fuse	R21T, R22T	Thermistor (M1C, M2C Discharge) (A1P)	Y3S	Solenoid Valve (HP/LP Gas Pipe)
F101U	Fuse (A4P) (A7P)	R3T	Thermistor (Liq. Main) (A1P)	Y4S	Solenoid Valve (Heat Exc. Lower)
F400U	Fuse (A2P)	R4T	Thermistor (Heat Exc. Liq. Upper) (A1P)	Y5S	Solenoid Valve (Heat Exc. Upper)
F410U~F412U	Fuse (A2P) (A5P)	R5T	Thermistor (Heat Exc. Liq. Lower) (A1P)	Z1C-Z7C	Noise Filter (Ferrite Core)
F601U	Fuse (A6P)	R6T	Thermistor (Subcool Heat Exc. Gas) (A1P)	Z1F	Noise Filter (A2P) (A5P) (witch surge absorb)
HAP	Pilotlamp (A1P) (A8P) (Service monitor-green)	R7T	Thermistor (Subcool Heat Exc. Liq) (A1P)		
K1M	Magnetic Contactor (A3P) (A6P)	R8T	Thermistor (Heat Exc. Gas Upper) (A1P)		
K1R	Magnetic Relay (A3P) (A6P)	R9T	Thermistor (Heat Exc. Gas Lower) (A1P)		
K3R	Magnetic Relay (A1P) (A6P)	R10T	Thermistor (Suction) (A1P)		
K3R	Magnetic Relay (Y11S) (A1P)	R11T	Thermistor (Heat Exc. Deicer) (A8P)	X10A	Connector for Optional Accessories
K4R	Magnetic Relay (Y12S) (A1P)	R12T	Thermistor (Suction Compressor) (A8P)		Connector (Bottomplate Heater)
K6R	Magnetic Relay (A1P) (Optional Bottomplate Heater)	R13T	Thermistor (Receiver Gas) (A8P)		
K7R	Magnetic Relay (E1HC) (A1P)	R14T	Thermistor (Auto Charge) (A8P)		
K8R	Magnetic Relay (E2HC) (A1P)	R15T	Thermistor (Compressor Body) (A1P)		
K9R	Magnetic Relay (Y3S) (A1P)	S1NPH	Pressure Sensor (High)		
K11R	Magnetic Relay (Y2S) (A1P)	S1NPL	Pressure Sensor (Low)		
K12R	Magnetic Relay (Y4S) (A1P)	S1PH, S2PH	Pressure Switch (High)		
K13R	Magnetic Relay (Y5S) (A1P)	SEG1-SEG3	7-Segment Display (A1P)		
L1R~L3R	Reactor	V1R	Power Module (A3P) (A6P)		
M1C, M2C	Motor (Compressor)	V1R	Power Module (A4P) (A7P)		
M1F, M2F	Motor (Fan)	V2R	Power Module (A6P)		
		X1A~4A	Connector (M1F, M2F)		
		X5A, X6A	Connector (Residual Charge Check)		

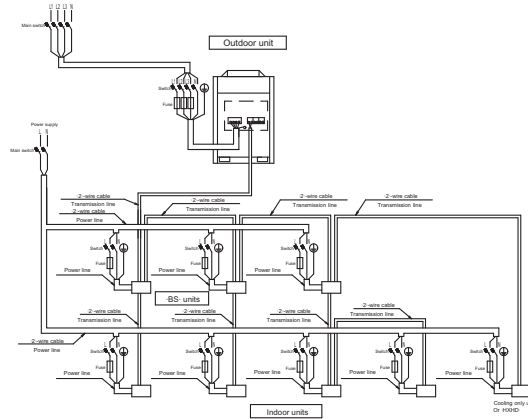
NOTES

1. This wiring diagram applies only to the outdoor unit.
2. $\text{---}\square\text{---}$: field wiring, \square : terminal block, \square : connector, $\text{---}\circ\text{---}$: terminal, \oplus : Protective Earth (Screw).
3. For connection wiring to indoor-outdoor transmission F1-F2, outdoor-outdoor transmission F1-F2, outdoor-multi transmission Q1-Q2, refer to the installation manual.
4. When operating, don't shortcircuit the protection devices (S1PH, S2PH)
5. Colours BLK:BLACK; RED: RED; BLU: BLUE; WHT: WHITE; GRN: GREEN.
6. When using the optional accessory, refer to the installation manual of the optional accessory.

10 External connection diagrams

10 - 1 External Connection Diagrams

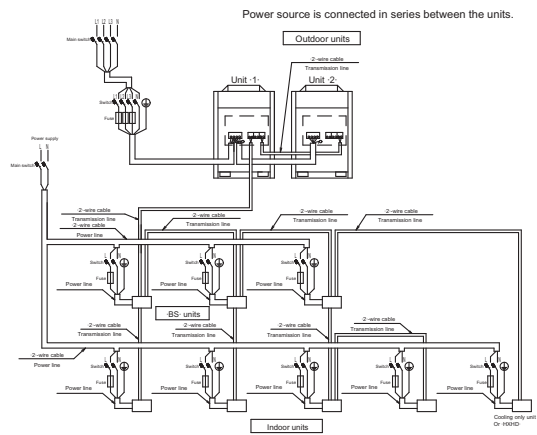
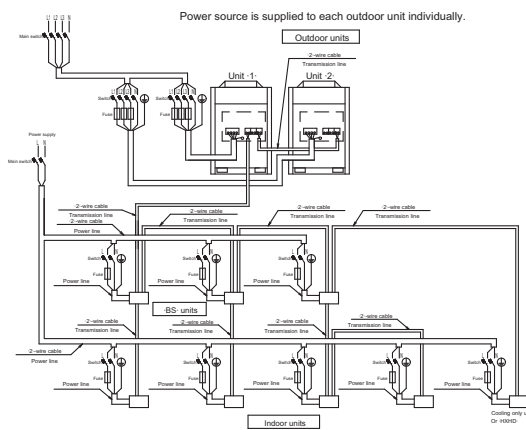
REYQ-T



1. All wiring, components and materials to be procured on-site must comply with the applicable legislation.
2. Use copper conductors only.
3. For more details, refer to the wiring diagram of the unit.
4. Install a circuit breaker for safety.
5. All field wiring and components must be provided by an authorised electrician.
6. Unit has to be grounded in compliance with the applicable legislation.
7. The wiring shown is a general points-of-connection guide and is not intended to include all details for a specific installation.
8. Make sure to install the switch and the fuse to the power line of each equipment.
9. Install a main to switch to (if necessary) immediately interrupt all the system's power sources.
10. If there exists the possibility of reversed phase, loose phase or momentary blackout, or if the power goes on and off while the product is operating, attach a reversed phase protection circuit locally. Running the product in reversed phase may break the compressor and other parts.
11. Install an earth leakage circuit breaker.

3D088095

REYQ-T



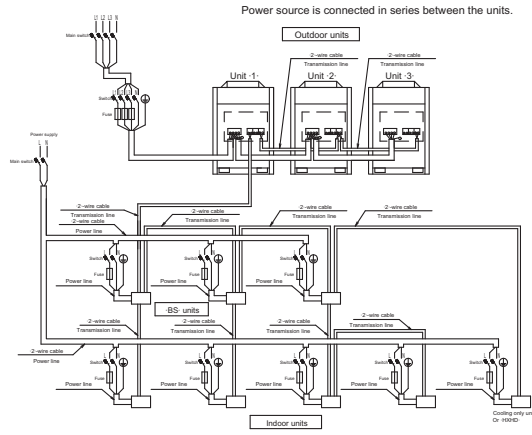
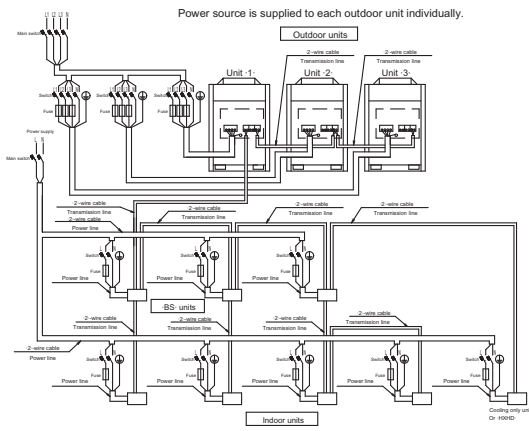
1. All wiring, components and materials to be procured on-site must comply with the applicable legislation.
2. Use copper conductors only.
3. For more details, refer to the wiring diagram of the unit.
4. Install a circuit breaker for safety.
5. All field wiring and components must be provided by an authorised electrician.
6. Unit has to be grounded in compliance with the applicable legislation.
7. The wiring shown is a general points-of-connection guide and is not intended to include all details for a specific installation.
8. Make sure to install the switch and the fuse to the power line of each equipment.
9. Install a main to switch to (if necessary) immediately interrupt all the system's power sources.
10. If there exists the possibility of reversed phase, loose phase or momentary blackout, or if the power goes on and off while the product is operating, attach a reversed phase protection circuit locally. Running the product in reversed phase may break the compressor and other parts.
11. Install an earth leakage circuit breaker.
12. The capacity of UNIT1 must be larger than that of UNIT2 when the power source is connected in series between the units.

3D088094

10 External connection diagrams

10 - 1 External Connection Diagrams

REYQ-T



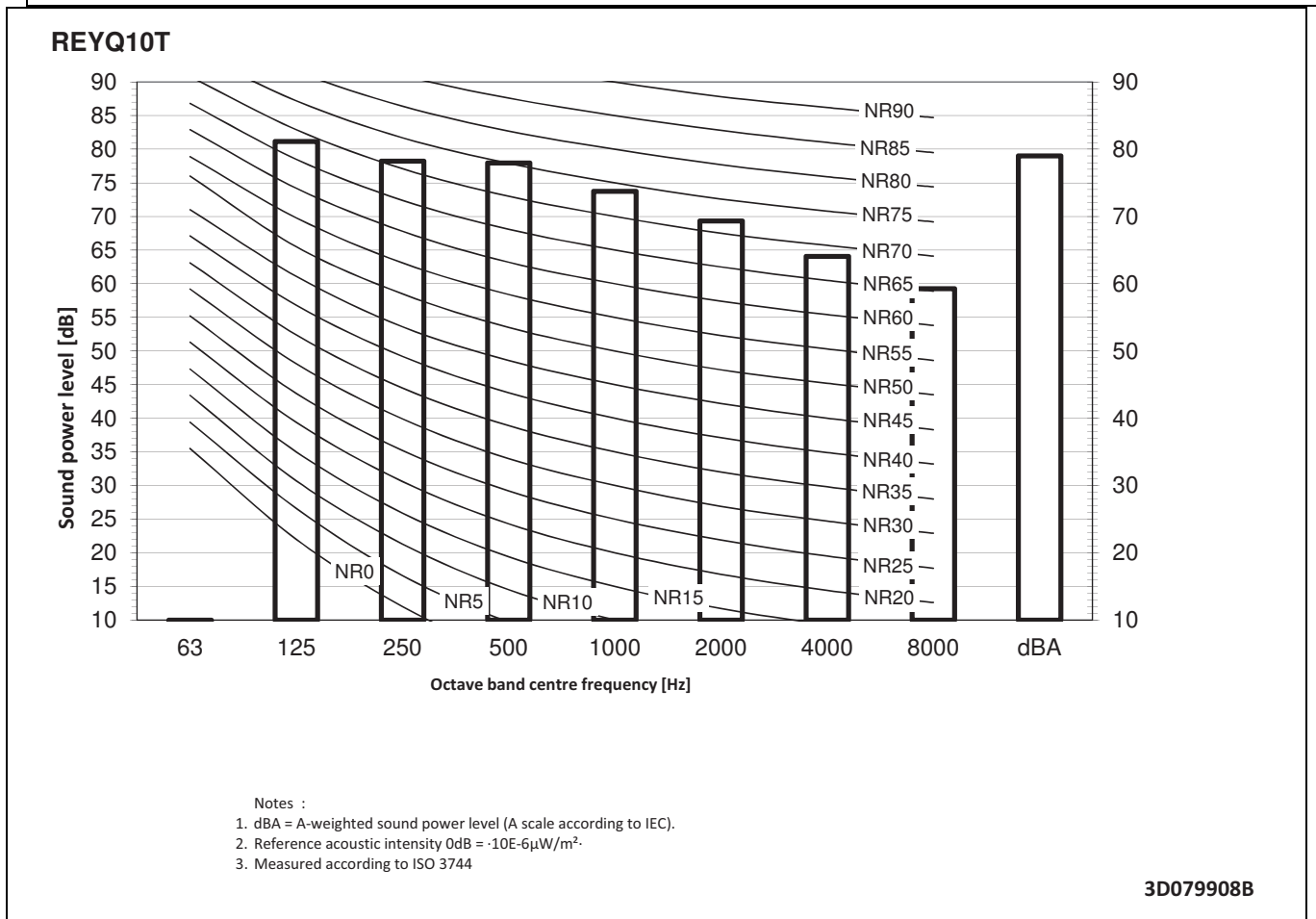
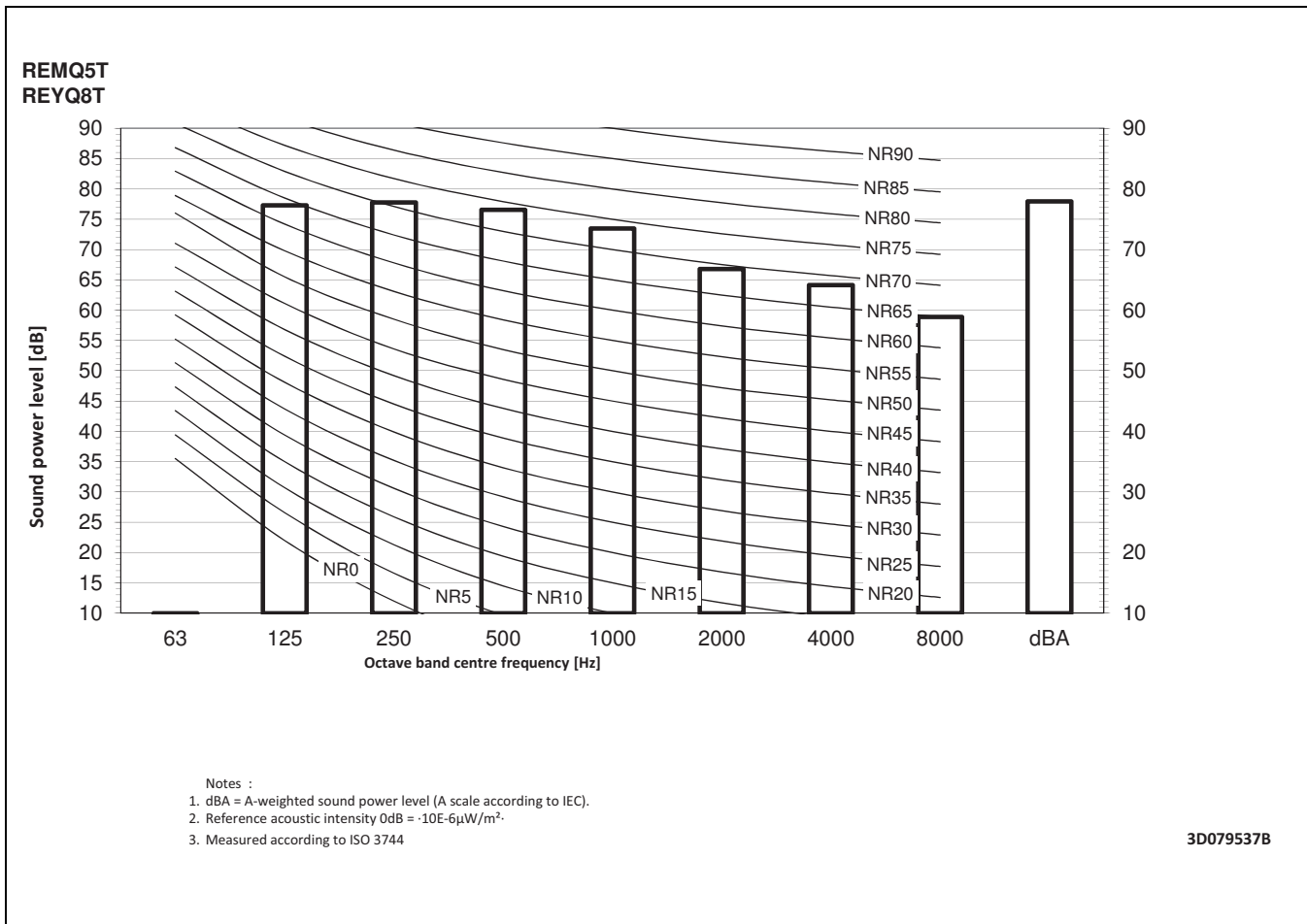
1. All wiring, components and materials to be procured on-site must comply with the applicable legislation.
2. Use copper conductors only.
3. For more details, refer to the wiring diagram of the unit.
4. Install a circuit breaker for safety.
5. All field wiring and components must be provided by an authorised electrician.
6. Unit has to be grounded in compliance with the applicable legislation.
7. The wiring shown is a general points-of-connection guide and is not intended to include all details for a specific installation.
8. Make sure to install the switch and the fuse to the power line of each equipment.
9. Install a main switch to (if necessary) immediately interrupt all the system's power sources.
10. If there exists the possibility of reversed phase, loose phase or momentary blackout, or if the power goes on and off while the product is operating, attach a reversed phase protection circuit locally. Running the product in reversed phase may break the compressor and other parts.
11. Install an earth leakage circuit breaker.
12. The capacity of UNIT1 must be larger than that of UNIT2 when the power source is connected in series between the units.

3D088016

11 Sound data

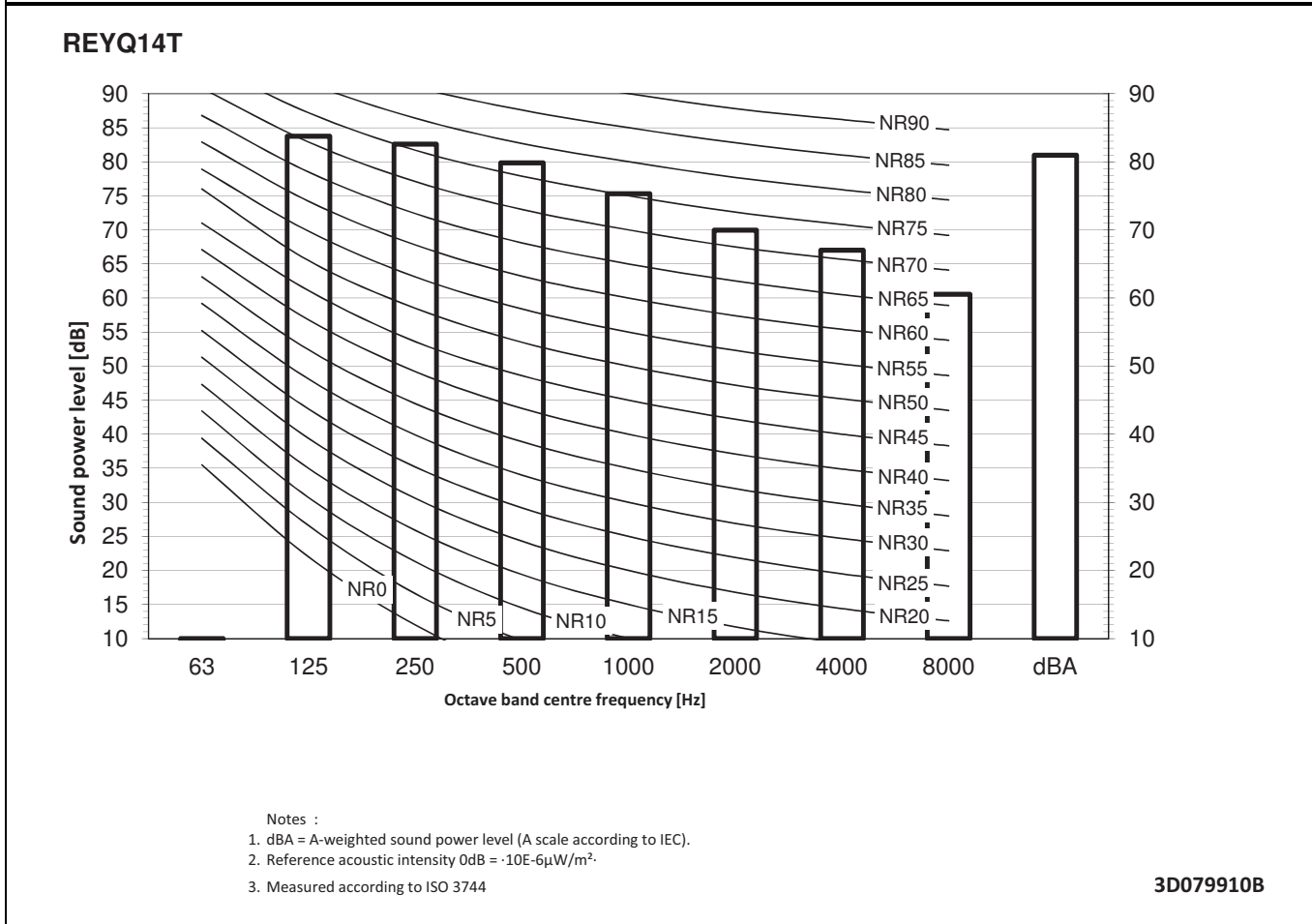
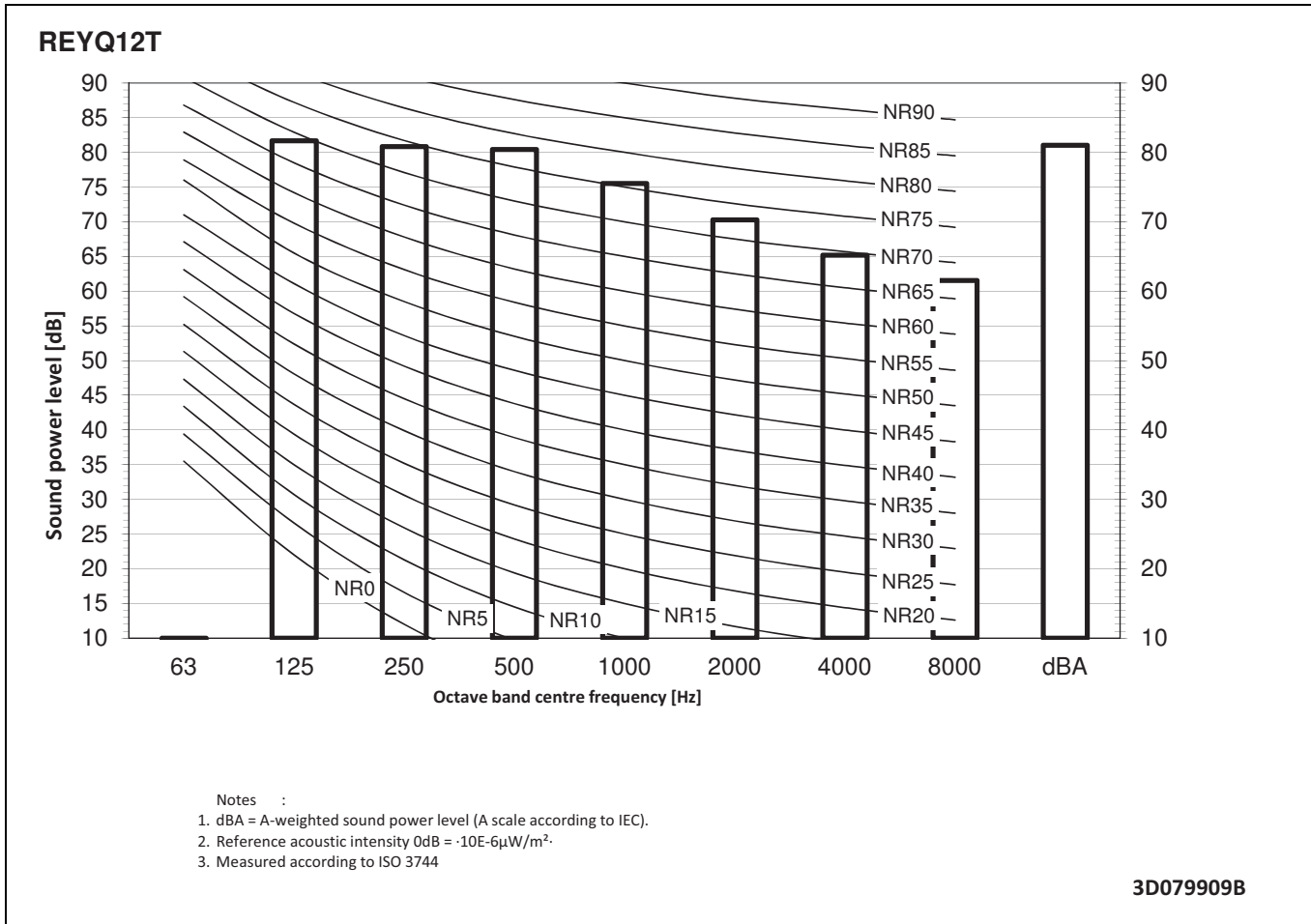
11 - 1 Sound Power Spectrum

11



11 Sound data

11 - 1 Sound Power Spectrum

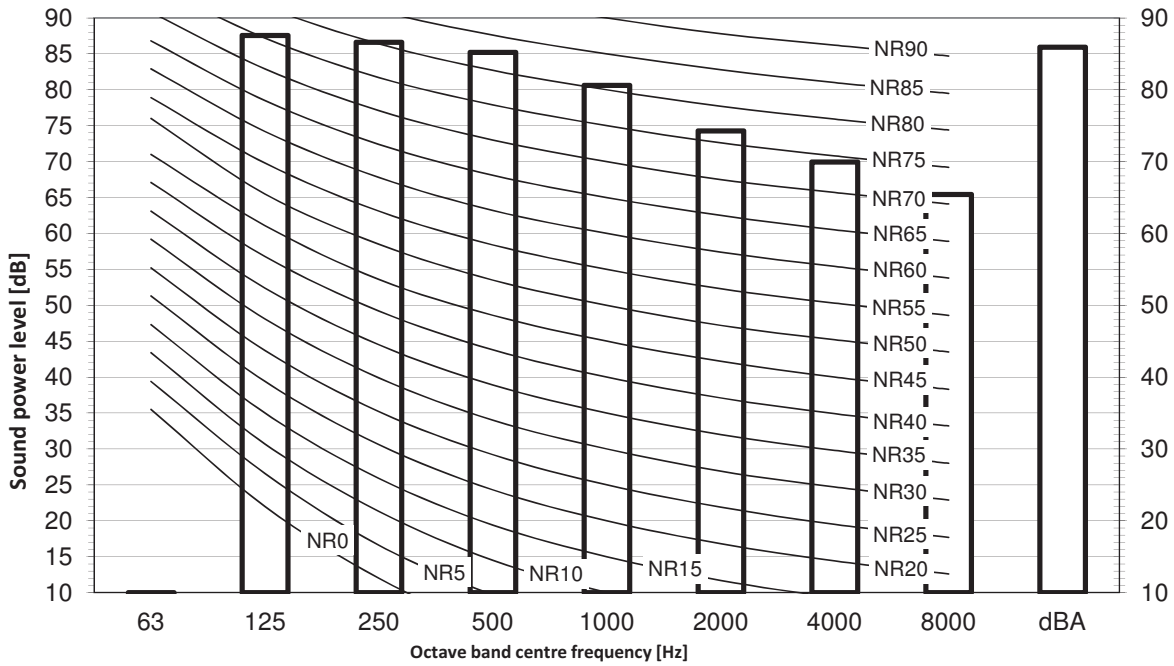


11 Sound data

11 - 1 Sound Power Spectrum

11

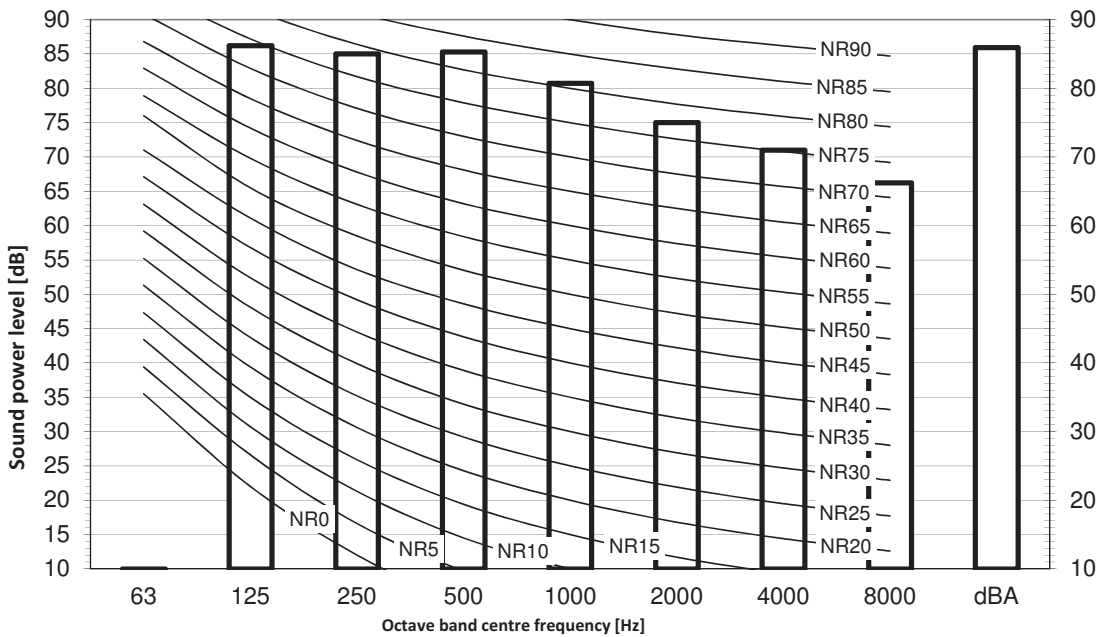
REYQ16T



- Notes :
1. dBA = A-weighted sound power level (A scale according to IEC).
 2. Reference acoustic intensity 0dB = $-10E-6\mu W/m^2$.
 3. Measured according to ISO 3744

3D079911B

REYQ18T

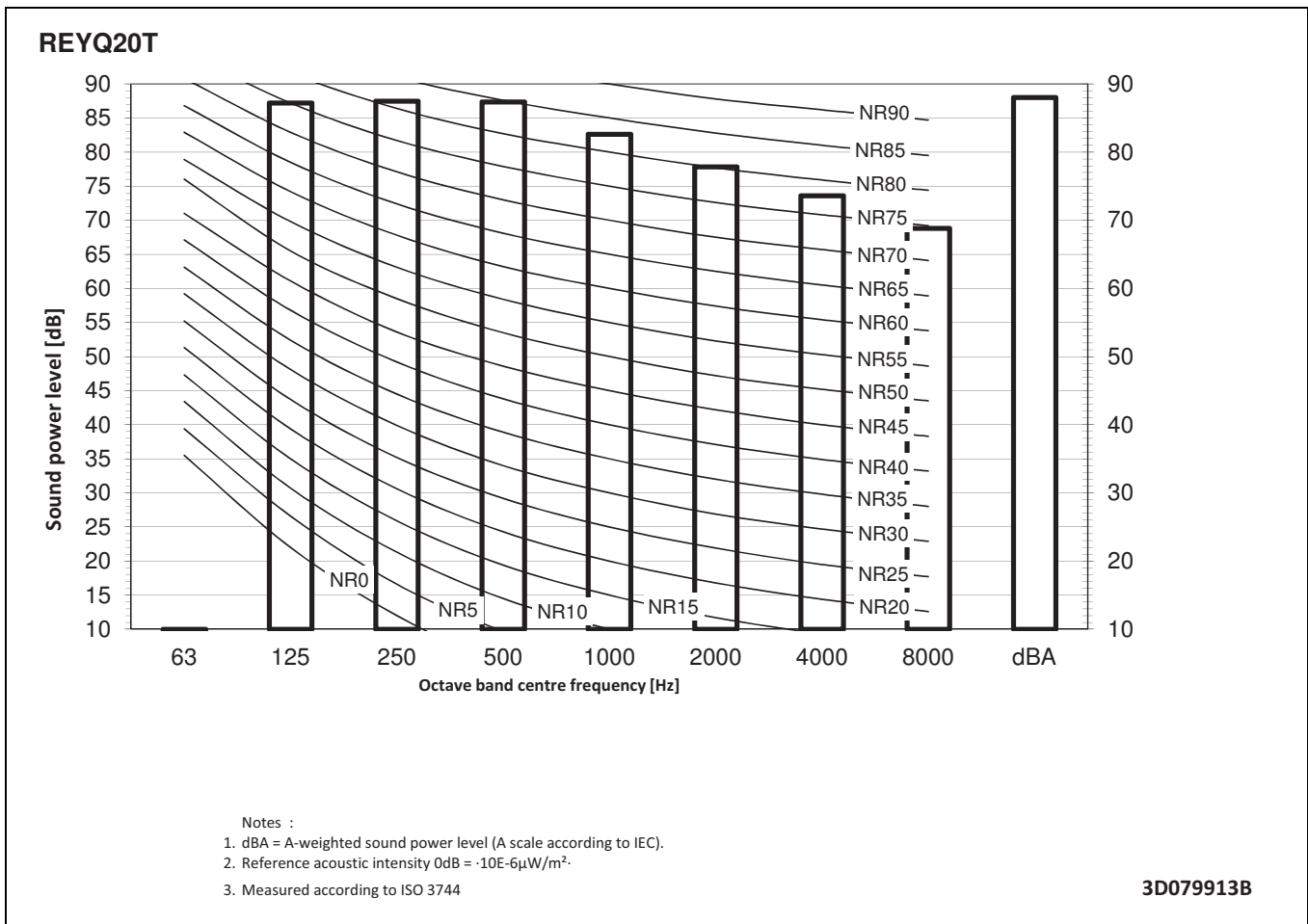


- Notes :
1. dBA = A-weighted sound power level (A scale according to IEC).
 2. Reference acoustic intensity 0dB = $-10E-6\mu W/m^2$.
 3. Measured according to ISO 3744

3D079912B

11 Sound data

11 - 1 Sound Power Spectrum

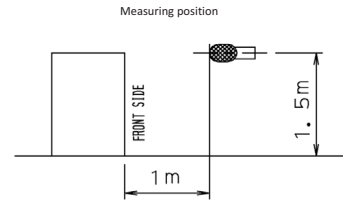
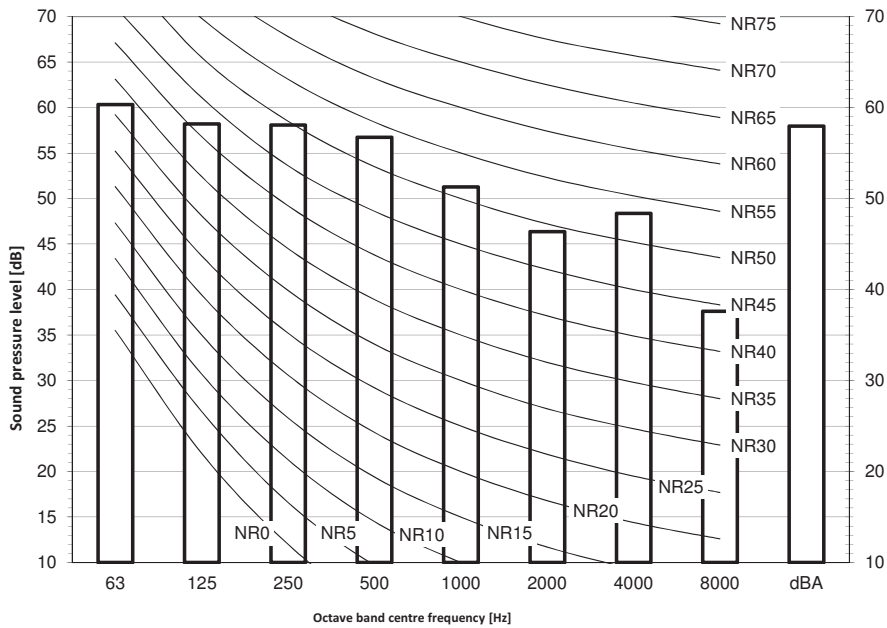


11 Sound data

11 - 2 Sound Pressure Spectrum

11

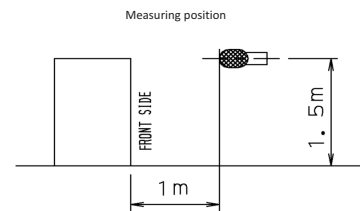
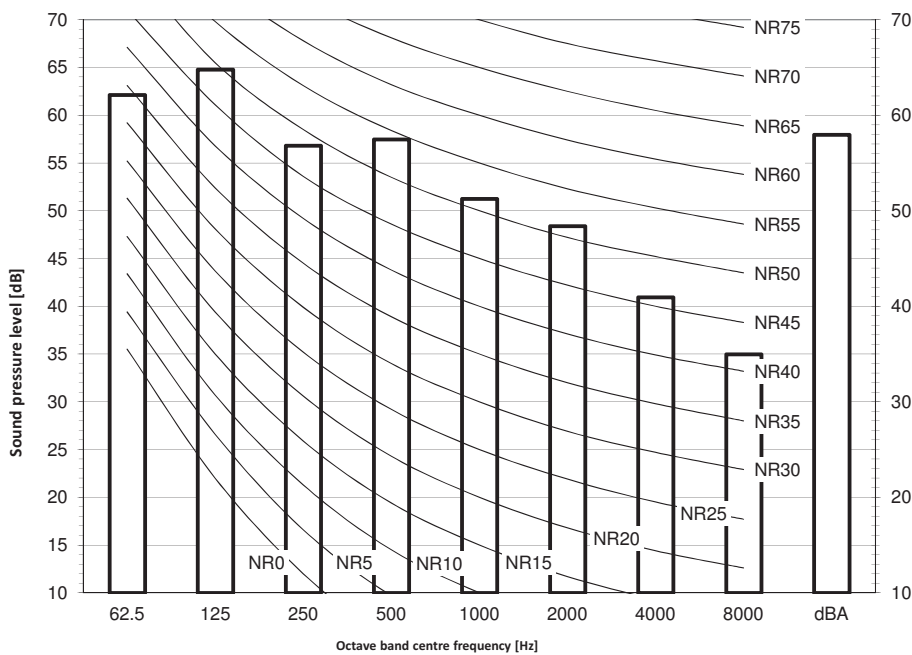
REMQ5T
REYQ8T



- Notes :
1. Data is valid at free field condition.
 2. Data is valid at nominal operation condition.
 3. dBA = A-weighted sound pressure level (A scale according to IEC).
 4. Reference acoustic pressure 0 dB = 20 μ Pa

3D079536B

REYQ10T



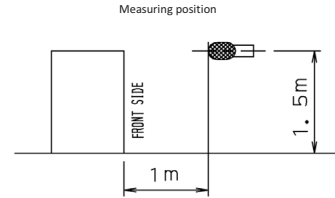
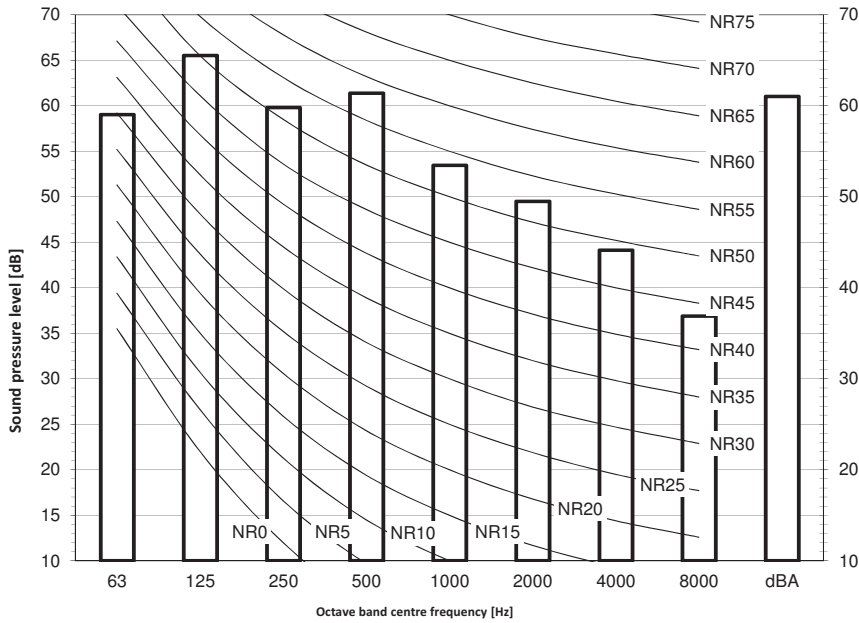
- Notes :
1. Data is valid at free field condition.
 2. Data is valid at nominal operation condition.
 3. dBA = A-weighted sound pressure level (A scale according to IEC).
 4. Reference acoustic pressure 0 dB = 20 μ Pa

3D079902B

11 Sound data

11 - 2 Sound Pressure Spectrum

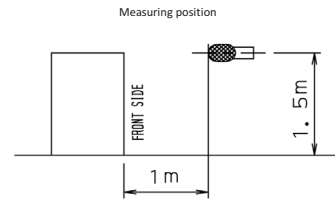
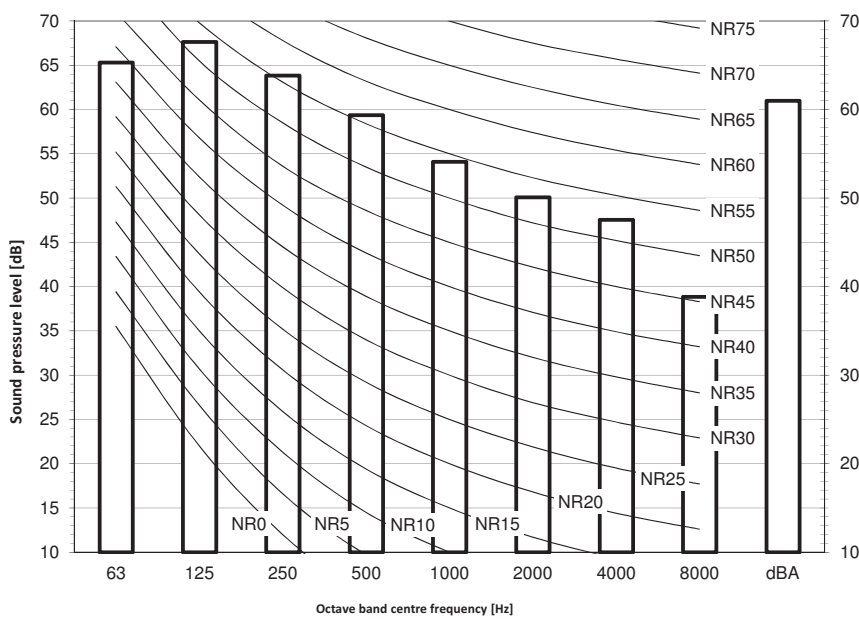
REYQ12T



- Notes :
1. Data is valid at free field condition.
 2. Data is valid at nominal operation condition.
 3. dBA = A-weighted sound pressure level (A scale according to IEC).
 4. Reference acoustic pressure 0 dB = 20 μPa

3D079903B

REYQ14T



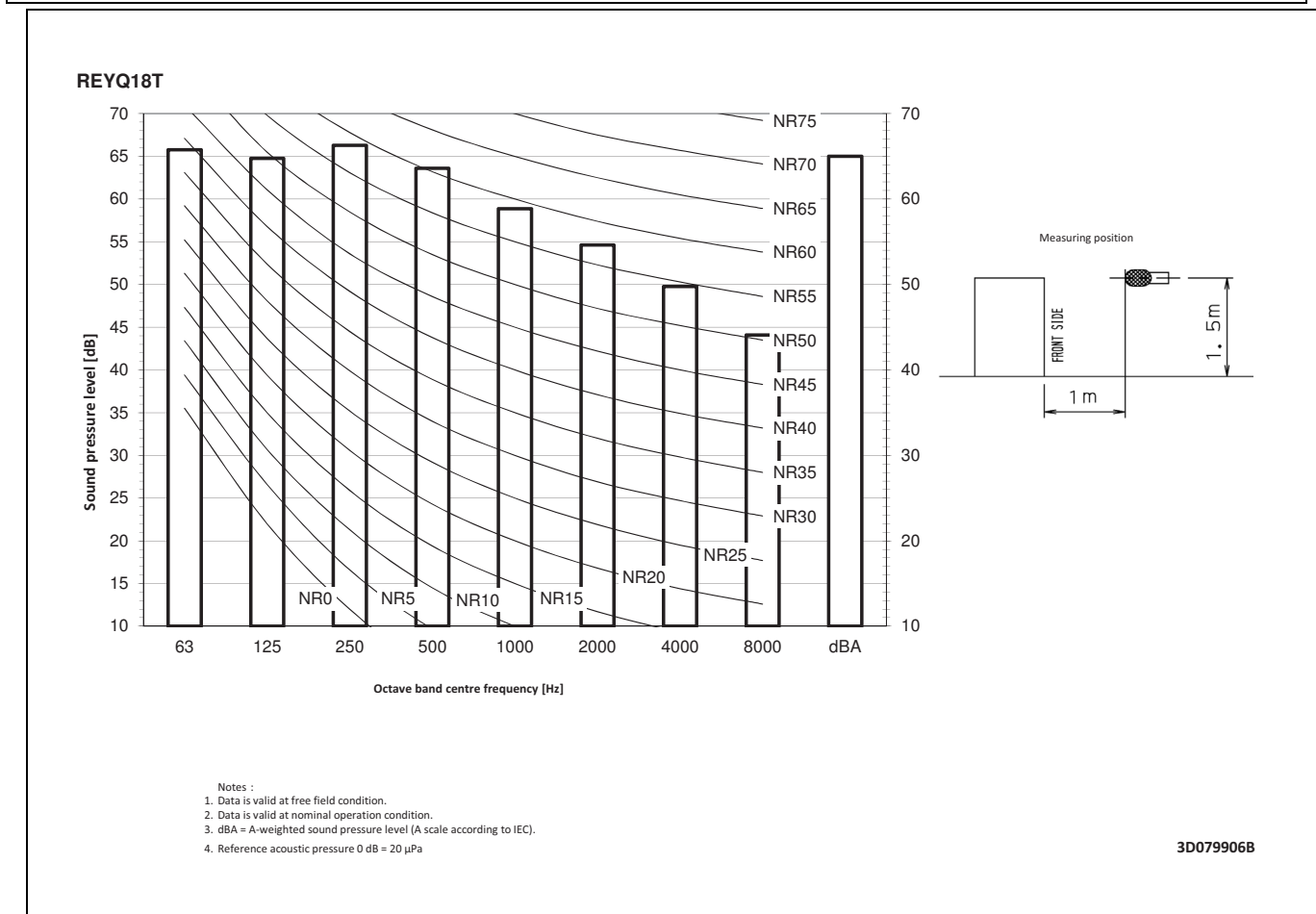
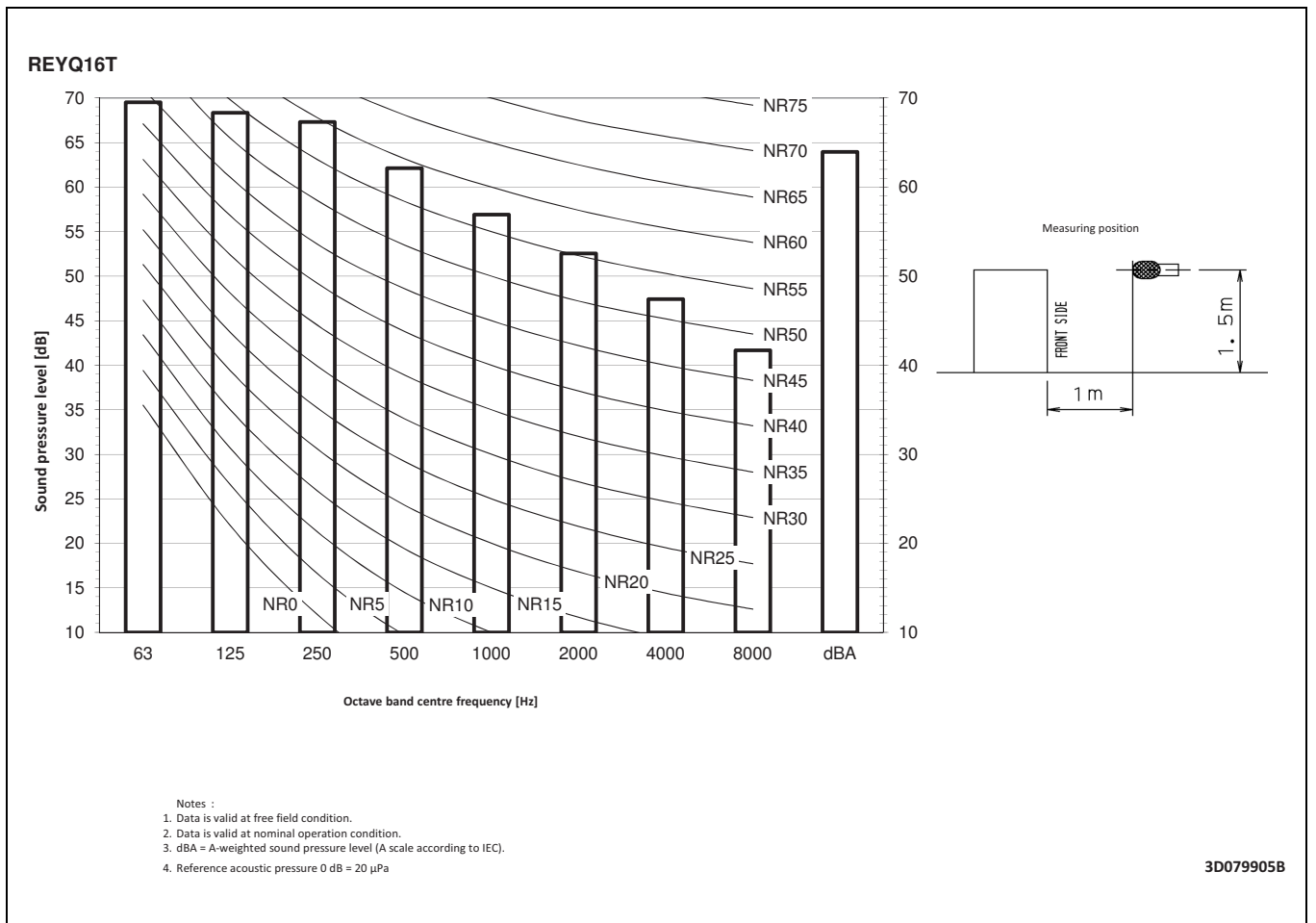
- Notes :
1. Data is valid at free field condition.
 2. Data is valid at nominal operation condition.
 3. dBA = A-weighted sound pressure level (A scale according to IEC).
 4. Reference acoustic pressure 0 dB = 20 μPa

3D079904B

11 Sound data

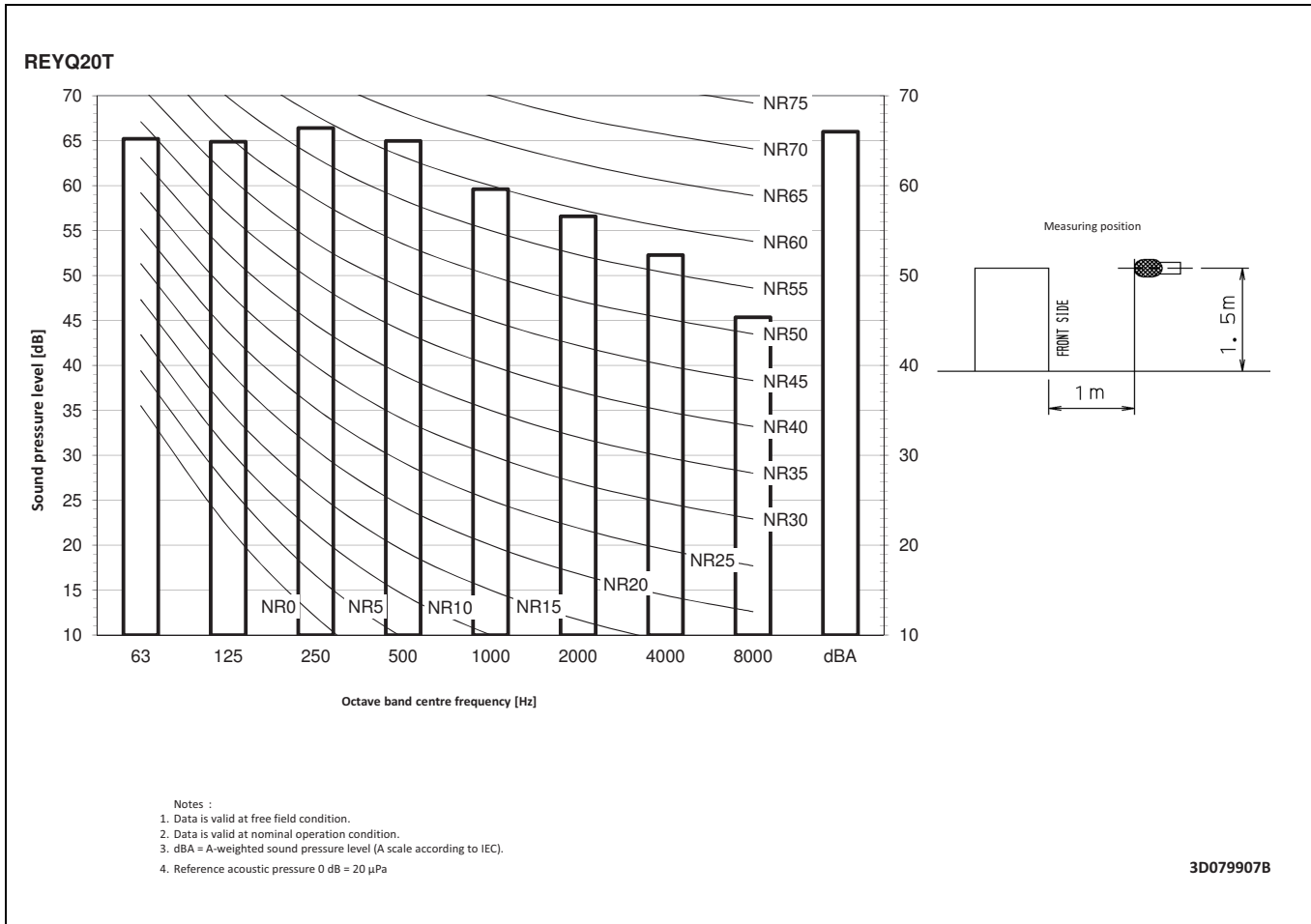
11 - 2 Sound Pressure Spectrum

11



11 Sound data

11 - 2 Sound Pressure Spectrum



12 Installation

12 - 1 Installation Method

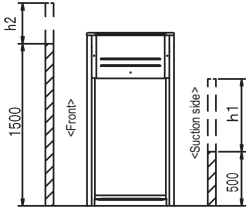
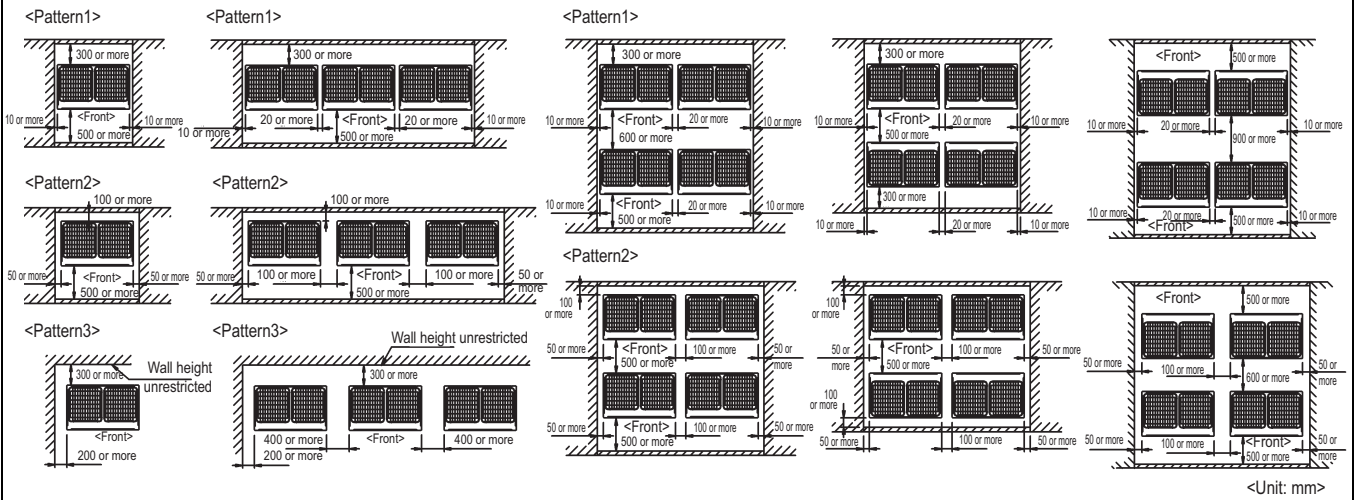
12

REYQ-T

For single unit installation

For installation in rows

For centralized group layout



NOTES

- Heights of walls in case of Patterns 1 and 2:
 Front: 1500mm
 Suction side: 500mm
 Side: Height unrestricted
 Installation space as shown on this drawing is based on the cooling operation at 35 degrees outdoor air temperature.
 When the design outdoor air temperature exceeds 35 degrees or the load exceeds maximum ability because of much generation load of heat in all outdoor units, take the suction side space more broadly than the space as shown in this drawing.
- If the above wall heights are exceeded then $h2/2$ and $h1/2$ should be added to the front and suction side service space respectively as shown in the figure on the right.
- When installing the units most appropriate pattern should be selected from those shown above in order to obtain the best fit in the space available always bearing in mind the need to leave enough space for a person to pass between units and wall and for the air to circulate freely. (If more units are to be installed than are catered for in the above patterns your layout should take account of the possibility of short circuits.)
- The units should be installed to leave sufficient space at the front for the on site refrigerant piping work to be carried out comfortably.

3D079542

12 Installation

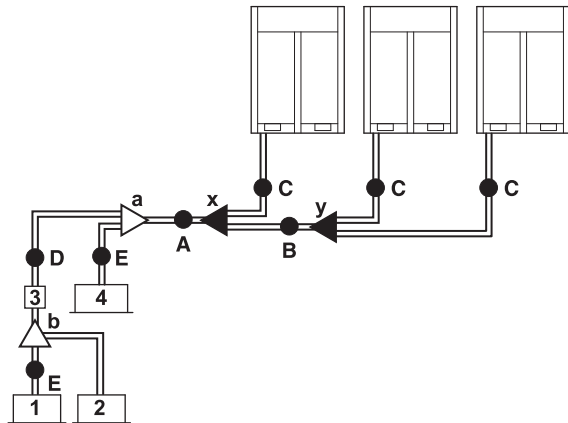
12 - 3 Refrigerant Pipe Selection

12

REYQ-T

To select the piping size

Determine the proper size referring to following tables and reference figure (only for indication).



- 1,2 VRV DX indoor unit
- 3 BS unit
- 4 Cooling-only VRV indoor unit
- A-E Piping
- a,b Indoor branch kit
- x,y Outdoor multi connection kit
- A, B, C: Piping between outdoor

A, B, C: Piping between outdoor unit and (first) refrigerant branch kit

Choose from the following table in accordance with the outdoor unit total capacity type, connected downstream.

Outdoor unit capacity type (HP)	Piping outer diameter size (mm)		
	Liquid pipe	Suction gas pipe	High pressure/low pressure gas pipe
5-8	9.5	19.1	15.9
10	9.5	22.2	19.1
12	12.7	28.6	19.1
14-16	12.7	28.6	22.2
18	15.9	28.6	22.2
20-22	15.9	28.6	28.6
24	15.9	34.9	28.6
26-34	19.1	34.9	28.6
36	19.1	41.3	28.6
38-54	19.1	41.3	34.9

D: Piping between refrigerant branch kits or refrigerant branch kit and BS unit

Choose from the following table in accordance with the indoor unit total capacity type, connected downstream. Do not let the connection piping exceed the refrigerant piping size chosen by the general system model name.

Indoor unit capacity index	Piping outer diameter size (mm)		
	Liquid pipe	Suction gas pipe	High pressure/low pressure gas pipe
<150	9.5	15.9	12.7
150≤x<200		19.1	15.9
200≤x<290	12.7	22.2	19.1
290≤x<420		28.6	
420≤x<640	15.9	34.9	28.6
640≤x<920	19.1		
≥920	19.1	41.3	28.6

Example:

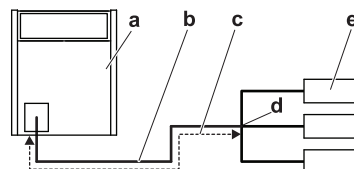
- Downstream capacity for E=capacity index of unit 1
- Downstream capacity for D=capacity index of unit 1+capacity index of unit 2

E: Piping between refrigerant branch kit or BS unit and indoor unit

Pipe size for direct connection to indoor unit must be the same as the connection size of the indoor unit (in case indoor unit is VRV DX indoor or Hydrobox).

Indoor unit capacity index	Piping outer diameter size (mm)	
	Gas pipe	Liquid pipe
15-50	12.7	6.4
63-125	15.9	9.5
200	19.1	
250	22.2	

- If a size-up of the piping is required, refer to the table below.



- a Outdoor unit
- b Main pipes
- c Increase
- d First refrigerant branch kit
- e Indoor unit

Size up	
HP class	Liquid piping outer diameter size (mm)
5-8	9.5 → 12.7
10	
12+14	12.7 → 15.9
16	
18-22	15.9 → 19.1
24	
26-34	19.1 → 22.2
36-54	

- The pipe thickness of the refrigerant piping shall comply with the applicable legislation. The minimal pipe thickness for R410A piping must be in accordance with the table below.

12 Installation

12 - 3 Refrigerant Pipe Selection

REYQ-T

Pipe Ø (mm)	Minimal thickness t (mm)
6.4/9.5/12.7	0.80
15.9	0.99
19.1/22.2	0.80
28.6	0.99
34.9	1.21
41.3	1.43

- In case the required pipe sizes (inch sizes) are not available, it is also allowed to use other diameters (mm sizes), taken the following into account:
 - Select the pipe size nearest to the required size.
 - Use the suitable adapters for the changeover from inch to mm pipes (field supply).
 - The additional refrigerant calculation has to be adjusted as mentioned in "6.7.3 To determine the additional refrigerant amount" on page 27.

To select refrigerant branch kits

Refrigerant refnets

For piping example, refer to "5.3.2 To select the piping size" on page 13.

- When using refnet joints at the first branch counted from the outdoor unit side, choose from the following table in accordance with the capacity of the outdoor unit (example: refnet joint a).

Outdoor unit capacity type (HP)	3 pipes
8~10	KHRQ23M29T9
12~22	KHRQ23M64T
24~54	KHRQ23M75T

- For refnets joints other than the first branch (example refnet joint b), select the proper branch kit model based on the total capacity index of all indoor units connected after the refrigerant branch

Indoor unit capacity index	3 pipes
<200	KHRQ23M20T
200≤x<290	KHRQ23M29T9
290≤x<640	KHRQ23M64T
≥640	KHRQ23M75T

- Concerning refnet headers, choose from the following table in accordance with the total capacity of all the indoor units connected below the refnet header.

Indoor unit capacity index	3 pipes
<200	KHRQ23M29H
200≤x<290	
290≤x<640	KHRQ23M64H(a)
≥640	KHRQ23M75H

(a) If the pipe size above the refnet header is Ø34.9 or more, KHRQ23M75H is required.

i INFORMATION

Maximum 8 branches can be connected to a header.

- How to choose an outdoor multi connection piping kit. Choose from the following table in accordance with the number of outdoor units.

Number of outdoor units	Branch kit name
2	BHFQ23P907
3	BHFQ23P1357

About the piping length

Make sure the piping installation does not exceed the maximum allowable pipe length, the allowable level difference, and the allowable length after branching. To illustrate the piping length requirements, six cases are discussed in the chapters below. They describe both standard and nonstandard outdoor unit combinations with VRV DX indoor units, Hydrobox units and/or air handling units (AHU).

Definitions

Term	Definition
Actual piping length	Pipe length between outdoor and indoor units
Equivalent piping length	Pipe length between outdoor and indoor units, including the equivalent length of the piping accessories
Total piping length	Total piping length, from the outdoor to all indoor units

Equivalent length of the piping accessories

Accessory	Equivalent length (m)
Refnet joint	0.5
Refnet header	1
Single BS1Q100~160	4
Single BS1Q25	6
Multi BS4~16Q14	4

Allowable height difference

Term	Definition	Height difference (m)
H1	Hight difference between outdoor and indoor units	50/40 (*)
H2	Height difference between indoor units	15
H3	Height difference between outdoor units	5
H4	Height difference between EKEXV-kits and AHU units.	5

(*) The allowable height difference is 50 m in case the outdoor unit is positioned higher than the indoor unit, and 40 m in case the outdoor unit is positioned lower than the indoor unit. If only VRV DX indoor units are used, the allowable height difference between outdoor and indoor units may be extended to 90 m, without the need of an additional option kit. In this case, make sure all conditions below are met:

If	Then
The outdoor unit is positioned higher than the indoor units	<ul style="list-style-type: none"> Minimum connection ratio: 80% Size up the liquid piping (refer to "5.3.2 To select the piping size" on page 13 for more information) Activate the outdoor unit setting. Refer to the service manual for more information.
The outdoor unit is positioned lower than the indoor units	<ul style="list-style-type: none"> Minimum connection ratio varies according to the height difference between outdoor and indoor units: <ul style="list-style-type: none"> 40~60 m : 80% 60~65 m : 90% 65~80 m : 100% 80 ~90 m : 110% Size up the liquid piping (refer to "5.3.2 To select the piping size" on page 13 for more information) Activate the outdoor unit setting. Refer to the service manual for more information No technical cooling

4P353997-1A_2

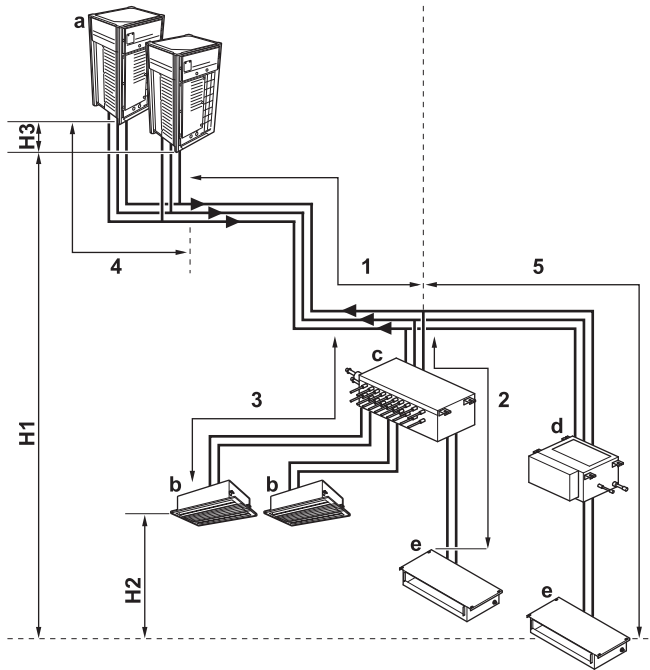
12 Installation

12 - 3 Refrigerant Pipe Selection

REYQ-T

Single outdoor units and standard multi-outdoor-unit combinations >20 HP

Connection with only VRV DX indoor units



- a Outdoor unit
- b VRV DX indoor unit
- c Multi BS unit
- d BS unit
- e VRV DX indoor unit

Pipe	Maximum length (actual/equivalent)
Longest pipe from the outdoor unit or the last multi-outdoor piping branch (1+2, 1+3, 1+5)	165 m/190 m ^(a)
Longest pipe after the first branch (2, 3, 5)	40 m/— ^(*)
In case of a multi-outdoor setup: longest pipe from the outdoor unit to the last multi-outdoor piping branch (4)	10 m/13 m
Total pipe length	1000 m/—

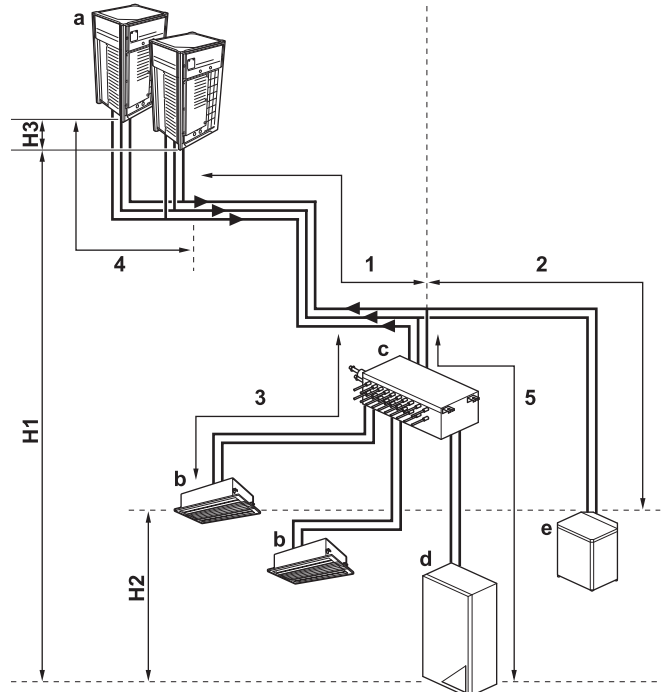
(a) If the equivalent piping length is more than 90 m, size up the main liquid piping according to "5.3.2 To select the piping size" on page 13.

(*)

An extension to up to 90 m is possible if all of the following conditions are met:

1. In case of BS1Q units, the piping length between all indoor units and the nearest branch kit is ≤40 m.
2. In case of multi BS units, the piping length between all indoor units and the multi BS unit is ≤40 m.
3. It is required to size up the liquid piping between the first branch kit and the last. Beware that in contrast to multi BS units, BS1Q units are NOT considered branch kits. If the increased pipe size is larger than the pipe size of the main pipe, also increase the size of the main pipe.
4. After sizing up the liquid piping (previous condition), double its length in the calculation of the total piping length. Make sure the total piping length is within limitations.
5. The piping length difference between the nearest indoor unit to the outdoor unit and the farthest indoor unit to the outdoor unit is ≤40 m.

Connection with VRV DX indoor units and Hydrobox units



- a Outdoor unit
- b VRV DX indoor unit
- c Multi BS unit
- d LT Hydrobox unit
- e HT Hydrobox unit

Pipe	Maximum length (actual/equivalent)
Longest pipe from the outdoor unit or the last multioutdoor piping branch (1+2, 1+3, 1+5)	135 m/160 m ^(a)
Longest pipe after the first branch (2, 3, 5)	40 m
In case of a multioutdoor setup: longest pipe from the outdoor unit to the last multioutdoor piping branch (4)	10 m/13 m
Total pipe length	300 m/600 m ^(b)

(a) If the equivalent piping length is more than 90 m, size up the main liquid piping according to "5.3.2 To select the piping size" on page 13.

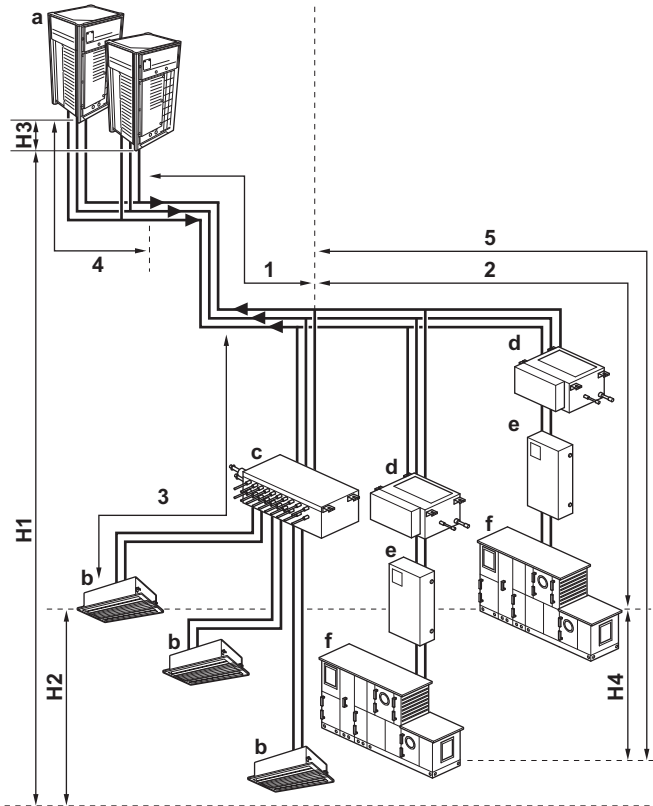
(b) In this case, both are actual piping lengths: outdoor units ≤ 20 HP / outdoor units > 20HP

12 Installation

12 - 3 Refrigerant Pipe Selection

REYQ-T

Connection with VRV DX indoor units and air handling units



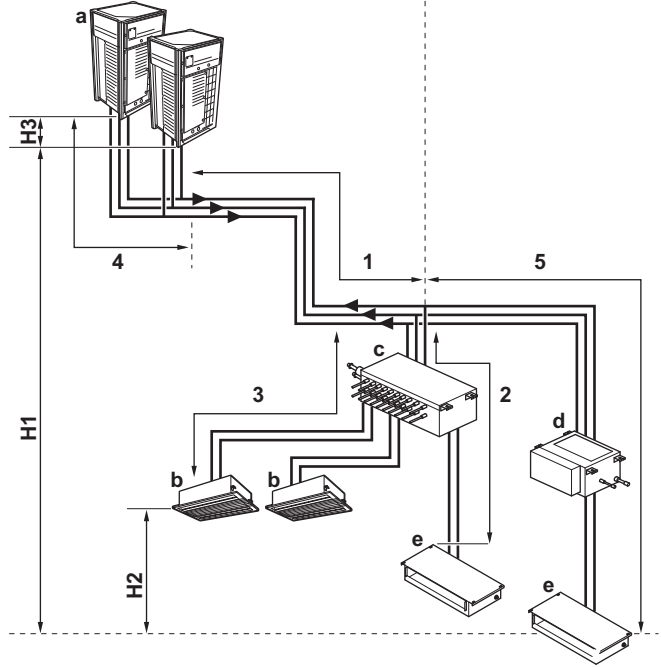
a Outdoor unit
 b VRV DX indoor unit
 c Multi BS unit
 d BS unit
 e EKEXV kit
 f AHU

Pipe	Maximum length (actual/equivalent)
Longest pipe from the outdoor unit or the last multi-outdoor piping branch (1+2, 1+3, 1+5)	165 m/190 m ^(a)
Longest pipe after the first branch (2, 3, 5)	40 m/—
In case of a multioutdoor setup: longest pipe from the outdoor unit to the last multi-outdoor piping branch (4)	10 m/13 m
Total pipe length	1000 m/—

(a) If the equivalent piping length is more than 90 m, size up the main liquid piping according to "5.3.2 To select the piping size" on page 13.

Standard multi-outdoor-unit combinations ≤20 HP and free multi-outdoor-unit combinations

Connection with only VRV DX indoor units



a Outdoor unit
 b VRV DX indoor unit
 c Multi BS unit
 d BS unit
 e VRV DX indoor unit

Pipe	Maximum length (actual/equivalent)
Longest pipe from the outdoor unit or the last multioutdoor piping branch (1+2, 1+3, 1+5)	135 m/160 m ^(a)
Longest pipe after the first branch (2, 3, 5)	40 m/— ^(*)
In case of a multi-outdoor setup: longest pipe from the outdoor unit to the last multi-outdoor piping branch (4)	10 m/13 m
Total pipe length	500 m/—

(a) If the equivalent piping length is more than 90 m, size up the main liquid piping according to "5.3.2 To select the piping size" on page 13.

(*)

An extension to up to 90 m is possible if all of the following conditions are met:

1. In case of BS1Q units, the piping length between all indoor units and the nearest branch kit is ≤40 m.
2. In case of multi BS units, the piping length between all indoor units and the multi BS unit is ≤40 m.
3. It is required to size up the liquid piping between the first branch kit and the last. Beware that in contrast to multi BS units, BS1Q units are NOT considered branch kits. If the increased pipe size is larger than the pipe size of the main pipe, also increase the size of the main pipe.
4. After sizing up the liquid piping (previous condition), double its length in the calculation of the total piping length. Make sure the total piping length is within limitations.
5. The piping length difference between the nearest indoor unit to the outdoor unit and the farthest indoor unit to the outdoor unit is ≤40 m.

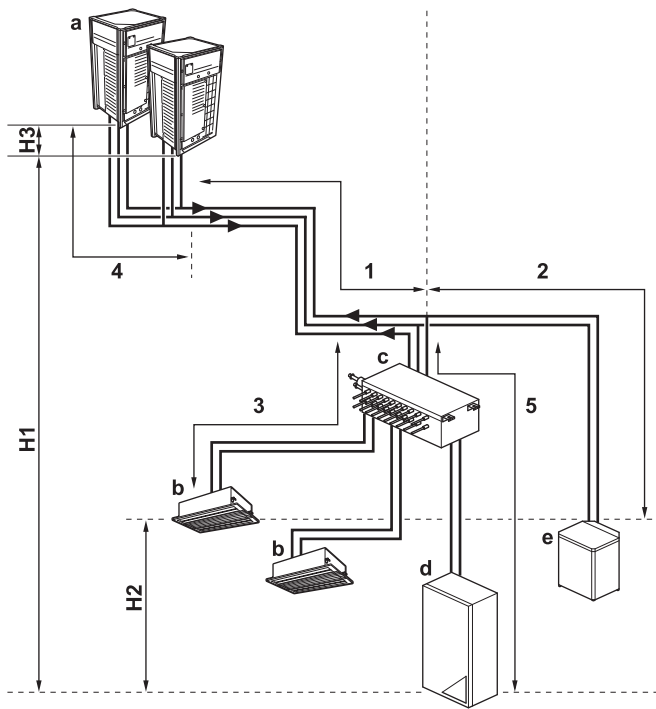
12 Installation

12 - 3 Refrigerant Pipe Selection

12

REYQ-T

Connection with VRV DX indoor units and Hydrobox units



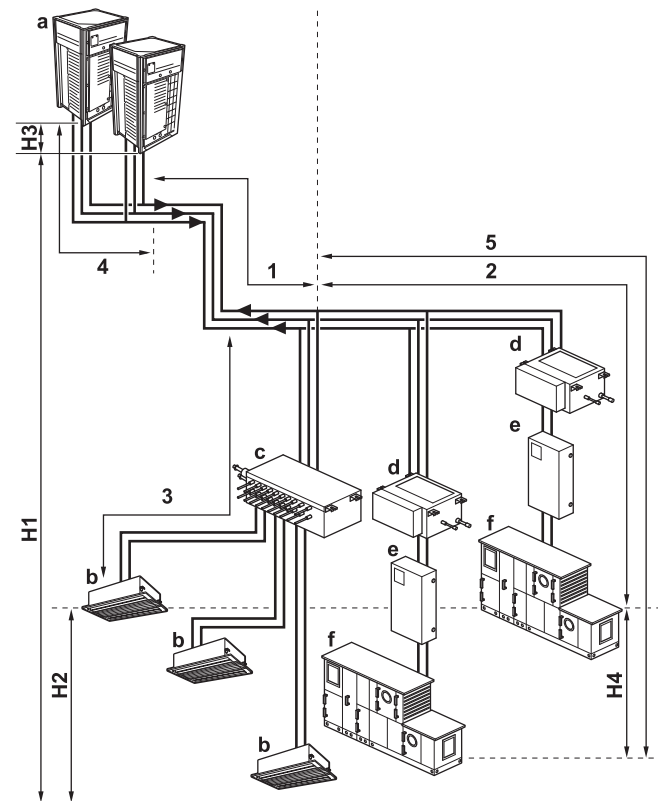
- a Outdoor unit
- b VRV DX indoor unit
- c Multi BS unit
- d LT Hydrobox unit
- e HT Hydrobox unit

Pipe	Maximum length (actual/equivalent)
Longest pipe from the outdoor unit or the last multioutdoor piping branch (1+2, 1+3, 1+5)	135 m/160 m ^(a)
Longest pipe after the first branch (2, 3, 5)	40 m/—
In case of a multioutdoor setup: longest pipe from the outdoor unit to the last multioutdoor piping branch (4)	10 m/13 m
Total pipe length	300 m/500 m ^(b)

(a) If the equivalent piping length is more than 90 m, size up the main liquid piping according to "5.3.2 To select the piping size" on page 13.

(b) In this case, both are actual piping lengths: outdoor units ≤20 HP / outdoor units >20 HP.

Connection with VRV DX indoor units and air handling units



- a Outdoor unit
- b VRV DX indoor unit
- c Multi BS unit
- d BS unit
- e EKEXV kit
- f AHU

Pipe	Maximum length (actual/equivalent)
Longest pipe from the outdoor unit or the last multioutdoor piping branch (1+2, 1+3, 1+5)	135 m/160 m ^(a)
Longest pipe after the first branch (2, 3, 5)	40 m/—
In case of a multioutdoor setup: longest pipe from the outdoor unit to the last multioutdoor piping branch (4)	10 m/13 m
Total pipe length	500 m/—

(a) If the equivalent piping length is more than 90 m, size up the main liquid piping according to "5.3.2 To select the piping size" on page 13.

12 Installation

12 - 3 Refrigerant Pipe Selection

REYQ-T

VRV4
Heat recovery Piping restrictions

		Maximum piping length			Maximum height difference			Total piping length
		Longest pipe from the outdoor unit or the last multi-putdoor piping branch Actual + Equivalent Maximum: (A+B, A+C, A+E, A+F)	Longest pipe after first branch Actual Maximum: (B,C,E,F)	Longest pipe from the outdoor unit to the last multi-outdoor piping Actual / Equivalent Maximum: (D)	Indoor-to-outdoor Outdoor unit higher than indoor unit/ Indoor unit higher than outdoor unit Maximum: (H1)	Indoor-to-indoor Maximum: (H2)	Outdoor-to-outdoor Maximum: (H3)	Piping length
Single outdoor units and standard multi-outdoor-unit combinations > 20hp	-VRV indoor units only	165/190 m (*3)	40 m (*1)	10/13 m	50 m (*2)	15 m	5 m	1000 m
	Hydrobox unit	135/160 m (*3)	40 m		50/40 m			300 m (*4)/600 m (*5)
	AHU (*6)	165/190 m (*3)	40 m		50/40 m			1000 m
Standard multi-outdoor-unit combinations ≤ 20hp and free multi-outdoor-unit combinations	-VRV indoor units only	135/160 m (*3)	40 m (*1)	10/13 m	50/40 m (*2)	15 m	5 m	500 m
	Hydrobox unit		40 m		50/40 m			300 m (*4)/500 m (*5)
	AHU (*6)		40 m		50/40 m			500 m

	Maximum piping length	Maximum height difference
	EXV --> AHU: G	EXV --> AHU: H4
AHU (*6)	5 m	5 m

NOTES

1. If all conditions below are met, the limitation can be extended up to 90m
 - 1.1 In case of BS1Q units, the piping length between all indoor units and the multi BS unit is ≤ 40 m
 - 1.2 In case of multi BS units, the piping length between all indoor units and the multi BS unit is ≤ 40 m
 - 1.3 It is required to size up the liquid piping between the first branch kit and the last.
 - In contrast to multi BS units, BS1Q units are not considered branch kits. If the increased pipe size is larger than the pipe size of the main pipe, also increase the size of the main pipe.
 - 1.4 When the piping size is increased, the piping length has to be counted as double. The total piping length has to be within limitations.
 - 1.5 The piping length difference between the nearest indoor unit to the outdoor unit and the farthest indoor unit to the outdoor unit is ≤ 40 m.
2. If all conditions below are met, the limitation can be extended up to 90m
 - 2.1 If the outdoor units are positioned higher than the indoor units:
 - 2.1.1. Minimum connection rate: 80%
 - 2.1.2. Size up the liquid piping
 - 2.1.3. Outdoor unit setting.
 - For more information, refer to the service manual.
 - 2.2. If the outdoor units are positioned lower than the indoor unit:
 - 2.2.1 No technical cooling
 - 2.2.2. Size up the liquid piping
 - 2.2.3. Outdoor unit setting
 - 2.2.4. Minimum connection rate
 - 40~60m: Minimum connection rate: 80%
 - 60~65m: Minimum connection rate: 90%
 - 65~80m: Minimum connection rate: 100%
 - 80~90m: Minimum connection rate: 110%
3. If the equivalent piping is > 90 m, size up the main liquid piping.
4. Outdoor unit is ≤ 20hp
5. Outdoor unit is > 20hp
6. Mix of DX units and AHU's
7. If there is no branch kit present in the system, the longest pipe after the multi BS unit has to be ≤ 40 m.

12 Installation

12 - 3 Refrigerant Pipe Selection

12

REYQ-T

VRV4

Heat recovery Piping restrictions

	Total		Allowed capacity			
	Capacity [%]	Maximum indoor unit quantity (*1)	VRV indoor unit	·VRV· indoor unit without ·BS· unit Cooling only (*4)	Hydrobox unit	AHU
·VRV· indoor units only	50~130	64	50~130 %	0~50 %	<i>Not allowed</i>	<i>Not allowed</i>
·VRV· indoor unit + Hydrobox	50~200 (*2)	32	50~110 %	0~50 %	0~100 %	<i>Not allowed</i>
·VRV· indoor unit + ·AHU's·	50~110	64	50~110 %	0~50 %	<i>Not allowed</i>	0~110 %

NOTES

1. Excluding ·BS· units and including ·EXV· kits.
2. The total capacity of ·DX· indoor units and LT Hydrobox units is ·130· %.
3. Other combinations than mentioned in this combination table are prohibited.
4. Cooling-only ·VRV· indoor units cannot be combined with HT Hydrobox units.

Amount of units connectable to a ·BS· unit

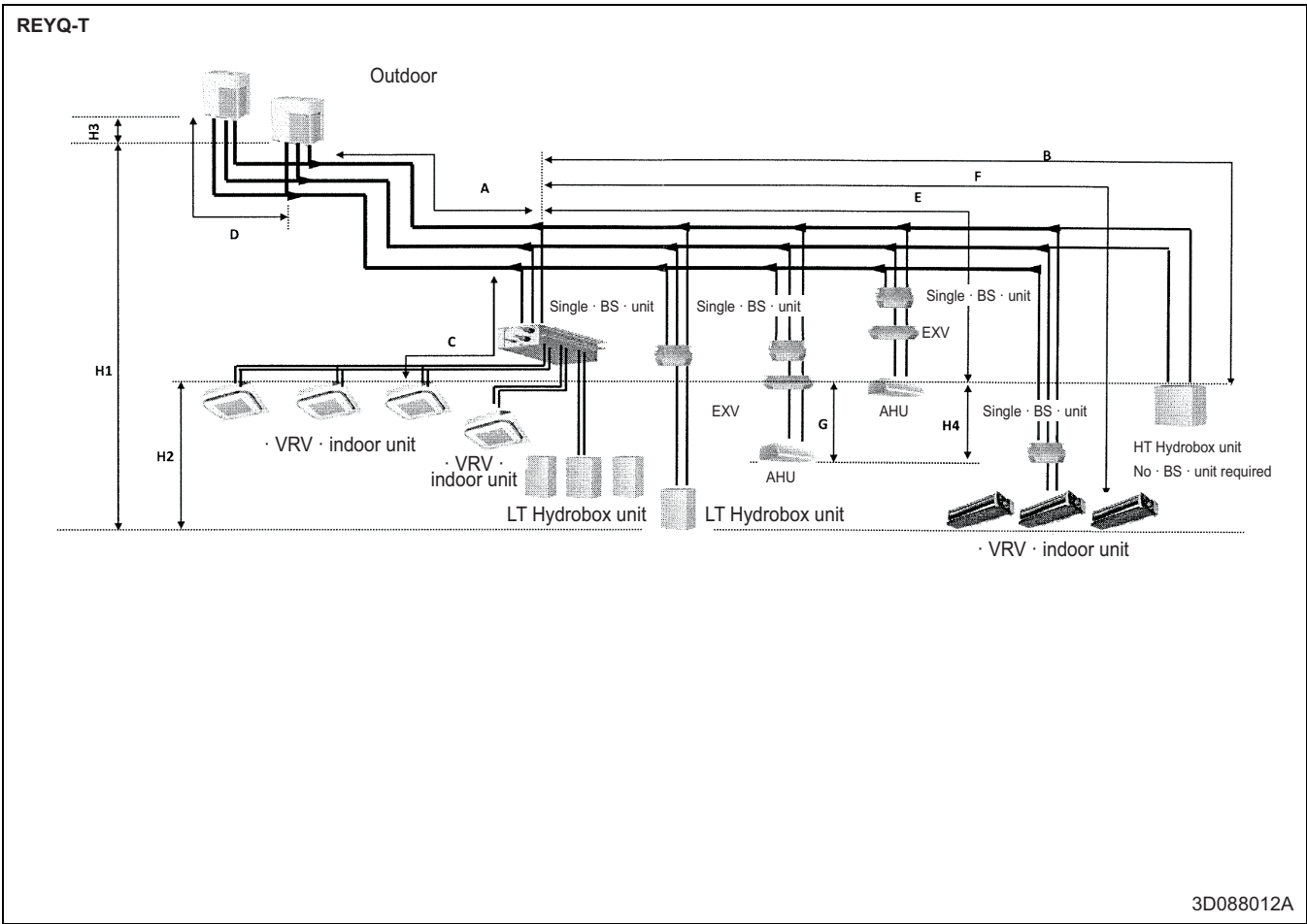
	BS1Q10 (*6)	BS1Q16 (*6)	BS1Q25 (*6)	Multi ·BS· branch (*6)	Multi ·BS· when 2 branches are combined (*5) (*6) (*5) (*6)
·VRV· indoor units	Maximum ·6· units	Maximum ·8· units	Maximum ·8· units	Maximum ·5· units	Maximum ·5· units
AHU	Maximum ·100· class	Maximum ·160· class	Maximum ·250· class	Maximum ·140· class	Maximum ·250· class
LT Hydrobox unit	Maximum ·100· class = 1x HXY080	Maximum ·160· class = Maximum ·2· x HXY080· Or maximum ·1· x HXY125·	Maximum ·250· class = Maximum ·3· x HXY080· Or maximum ·2· x HXY125· Or ·HXY125·	Maximum ·140· class = Maximum ·1· x HXY080· Or maximum ·1· x HXY125·	Maximum ·250· class = Maximum ·3· x HXY080· Or maximum ·2· x HXY125· Or ·HXY080 + HXY 125·

NOTES

5. When combining ·2· branches, the maximum piping length between the ·BS· unit and the indoor unit is ≤ 20m. If the length of this piping is > 20m increase the size of the liquid pipe.
6. When using Hydrobox units, do not combine them with other types of units.

12 Installation

12 - 3 Refrigerant Pipe Selection



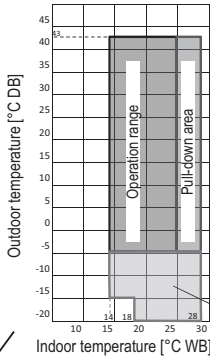
13 Operation range

13 - 1 Operation Range

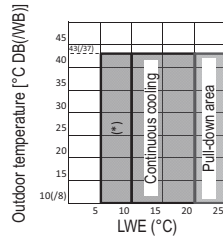
13

REYQ-T
REM-Q-T

DX · cooling

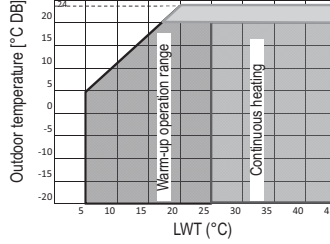


LT hydro · cooling

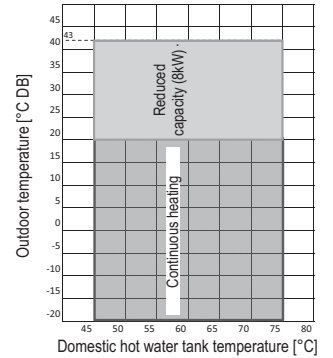


(*) : Only possible after field setting activation.
Influences DX · cooling operation (cold draft) and the total efficiency.

LT · space heating
No domestic hot water



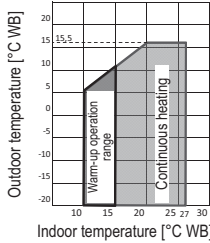
HT · domestic hot water



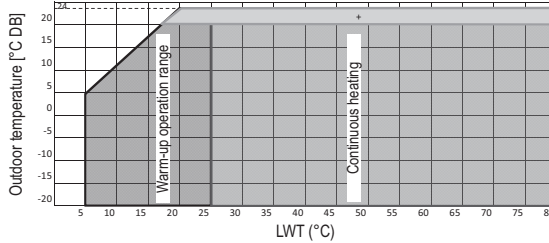
Technical cooling restrictions

- A wind cover is required.
- Cooling capacity decrease below -5 °C
- COP · (VRT) decrease
- Possible BS · unit noise increase
- Piping restrictions
- No multi · BS · unit

DX · heating



HT · space heating



3D088014



Daikin Europe N.V. participates in the Eurovent Certification programme for Liquid Chilling Packages (LCP), Air handling units (AHU), Fan coil units (FCU) and variable refrigerant flow systems (VRF) Check ongoing validity of certificate online: www.eurovent-certification.com or using: www.certiflash.com

The present leaflet is drawn up by way of information only and does not constitute an offer binding upon Daikin Europe N.V.. Daikin Europe N.V. has compiled the content of this leaflet to the best of its knowledge. No express or implied warranty is given for the completeness, accuracy, reliability or fitness for particular purpose of its content and the products and services presented therein. Specifications are subject to change without prior notice. Daikin Europe N.V. explicitly rejects any liability for any direct or indirect damage, in the broadest sense, arising from or related to the use and/or interpretation of this leaflet. All content is copyrighted by Daikin Europe N.V.

BARCODE

Daikin products are distributed by: