

## ASEG14KETFB

Unit Type		Wall Mounted
Remote Controller		IR Included
Nominal Cooling Capacity	(kW)	4.2
Nominal Heating Capacity	(kW)	5.4
Height	(mm)	295
Width	(mm)	950
Depth	(mm)	230
Weight	(kg)	11.5
Airflow Rate - Cooling - High	(m <sup>3</sup> /h)	770
Airflow Rate - Heating - High	(m <sup>3</sup> /h)	800
Sound Pressure Level - Cooling - High	(dB(A))	43
Sound Pressure Level - Cooling - Low	(dB(A))	20
Sound Pressure Level - Heating - High	(dB(A))	44
Sound Pressure Level - Heating - Low	(dB(A))	24
Sound Power Level - Cooling - High	(dB(A))	57
Sound Power Level - Heating - High	(dB(A))	59
Moisture Removal	(l/h)	2.1
Refrigerant Type (Global Warming Potential)		R32 (675)
Liquid Pipe Size		1/4"
Gas Pipe Size		3/8"
Unit Power Supply		From Outdoor Unit



WLAN Adapter Built In



### Document Downloads

[Airflow-Fan Curve](#)

[Noise Curve](#)

[Accessories](#)

[Operation Manual](#)

[Product Image](#)

[Controller & Functions](#)

[Spare Parts List All Pages](#)

[Dimensional Drawing](#)

[Specifications](#)

[Installation Manual](#)

[Wiring Diagram](#)

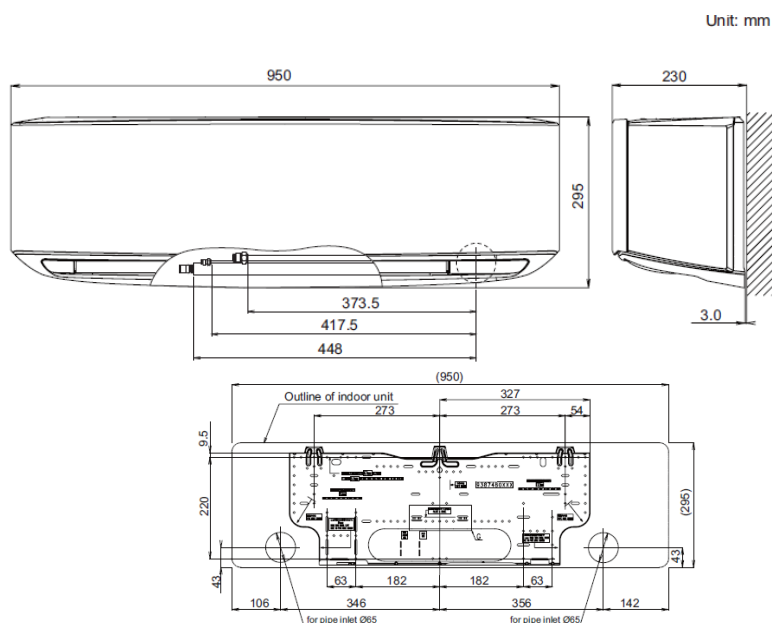
### Related Items

[AOEH14KGCG](#)

Please visit our webstore for full product and technical documentation



- Specifications and design are subject to change without notice for further improvement.
- Actual products' colours may be different from the colours shown in this printed material.



**Fujitsu General Air Conditioning (UK) Limited**  
 Unit 150, Centennial Park Elstree, Herts. WD6 3SG  
[www.fujitsu-general.com/uk](http://www.fujitsu-general.com/uk)  
[sales@fgac.fujitsu-general.com](mailto:sales@fgac.fujitsu-general.com)

**Fujitsu Air Conditioning | The name you can rely on**